



PRODUCT GUIDE

LEADING SEALING TECHNOLOGY
FOR THE AUSTRALIAN MARKET

FREUDENBERG
SEALING TECHNOLOGIES

 **FREUDENBERG**
INNOVATING TOGETHER

DESCRIPTIONS

TYPE	PREFIX	PRODUCT IMAGE	PROFILE	MATERIAL	TEMP	PRESSURE	SPEED	
ROD SEALS	DIU			NBR	-30° to +100° C	100	0.5 m/s	10
	ERA			PU / NBR / ACETAL	-30° to +100° C	700	0.5 m/s	11
	EUP			PU/NBR	-30° to +100° C	400	0.5 m/s	12
	GUP			PU	-35° to +110° C	400	0.5 m/s	13
	GUR			NBR	-30° to +105° C	150	0.5 m/s	14
	HBT			FILLED PTFE / NBR	-30° to +100° C	300	0.5 m/s	15
	IDI			PU	-35° to +100° C	300	0.5 m/s	16
	IUH			NBR	-55° to +80° C	210	0.5 m/s	17
	IUY			PU	-35° to +100° C	700	0.5 m/s	18
	R97			PU	-35° to +100° C	400	0.5 m/s	19
	R99			PU	-30° to +100° C	400	0.5 m/s	20
	RBR			PU / ACETAL	-30° to +100° C	400	0.5 m/s	21
	SHR			NBR / TPU / ACETAL	-30° to +100° C	700	0.5 m/s	22
	SRF			NBR / NBR FABRIC / ACETAL	-30° to +100° C	400	0.5 m/s	23
	SRI			NBR / NBR FABRIC	-30° to +100° C	400	0.5 m/s	24
	SUR			NBR	-30° to +100° C	100	0.5 m/s	25

DESCRIPTIONS

TYPE	PREFIX	PRODUCT IMAGE	PROFILE	MATERIAL	TEMP	PRESSURE	SPEED	PAGE #
ROD SEALS	TRR			NBR / ACETAL	-35° to +105° C	400	0.5 m/s	26
	VBA			NBR / NBR FABRIC	-30° to +100° C	400	0.5 m/s	93
VEE PACKS	VPK			NBR / NBR FABRIC	-30° to +100° C	400	0.5 m/s	94
	VTA			NBR / NBR FABRIC	-30° to +100° C	400	0.5 m/s	95
	VRF			NBR / NBR FABRIC	-30° to +100° C	400	0.5 m/s	96
	CRF			NBR / NBR FABRIC	-30° to +100° C	170	0.5 m/s	122
	CUP			NBR	-30° to +100° C	40	0.5 m/s	123
PISTON SEALS - SINGLE ACTION	DEU			NBR	-30° to +105° C	150	0.5 m/s	124
	EUP			PU / NBR / ACETAL	-30° to +100° C	400	0.5 m/s	125
	GUP			PU	-35° to +110° C	400	0.5 m/s	126
	GUR			NBR	-30° to +105° C	150	0.5 m/s	127
	MDW			NBR / NBR FABRIC / ACETAL	-30° to +105° C	500	0.5 m/s	128
	PUP			PU	-35° to +110° C	400	0.5 m/s	129
	SRF			NBR / NBR FABRIC	-30° to +100° C	400	0.5 m/s	130
	SUR			NBR	-30° to +100° C	100	0.5 m/s	131
	KYB			NBR / NYLON	-30° to +100° C	400	0.5 m/s	132

DESCRIPTIONS

TYPE	PREFIX	PRODUCT IMAGE	PROFILE	MATERIAL	TEMP	PRESSURE	SPEED	PAGE #
PISTON SEALS - DOUBLE ACTING	CPR			CAST IRON	-250° to +285° C	4000	4.0 m/s	227
	DAG			PU / NBR	-30° to +100° C	400	0.5 m/s	228
	DAP/S			NBR / STEEL	-30° to +105° C	16	0.5 m/s	229
	DAP			NBR / STEEL	-30° to +105° C	16	0.5 m/s	230
	DCT			FILLED PTFE / NBR / NYLON	-30° to +100° C	500	0.5 m/s	231
	DAS			NBR / TPU / ACETAL	-30° to +100° C	400	0.5 m/s	232
	DPG			PU / NBR	-30° to +100° C	400	0.5 m/s	233
	DHD			NBR / ACETAL / HYTREL	-30° to +100° C	700	0.5 m/s	234
	JDA			NBR / TPU	-30° to +100° C	300	0.5 m/s	235
	DSP			NBR / ACETAL	-30° to +100° C	200	0.5 m/s	236
	LDA			PU / ACETAL	-30° to +100° C	700	0.5 m/s	237
	JWR			NBR / TPU / ACETAL	-30° to +100° C	235	0.5 m/s	238
	MDL			NBR / NBR FABRIC / ACETAL	-30° to +100° C	235	0.5 m/s	239
	LWR			PU / ACETAL	-30° to +100° C	700	0.5 m/s	240
	NWR			NBR / NBR FABRIC / ACETAL	-30° to +100° C	700	0.5 m/s	241
	MHM			NBR / HYTREL / ACETAL	-30° to +100° C	700	0.5 m/s	242

DESCRIPTIONS

TYPE	PREFIX	PRODUCT IMAGE	PROFILE	MATERIAL	TEMP	PRESSURE	SPEED	PAGE #	
PISTON SEALS - DOUBLE ACTING	RDA			PU	-30° to +100° C	400	0.5 m/s	243	
	RCC			GF NYLON / NBR	-30° to +100° C	400	0.5 m/s	244	
	SDA			PU	-30° to +100° C	400	0.5 m/s	245	
	SAQ			FILLED PTFE / NBR	-35° to +105° C	345	2.0 m/s	246	
	SPR			FILLED PTFE / NBR	-30° to +100° C	350	1.5 m/s	247	
	SPG			FILLED PTFE / NBR	-30° to +100° C	400	5.0 m/s	248	
	TDA			NBR / NYLON (TEFLON)	-30° to +100° C	200	0.5 m/s	249	
	SWR			PU / ACETAL	-30° to +100° C	335	0.5 m/s	250	
	L46			PU / NBR / ACETAL	-35° to +105° C	300	0.5 m/s	251	
	WIPER SEALS	DKB			NBR (PU) / MILD STEEL	-30° to +100° C		0.8 m/s	290
		940			PU	-30° to +100° C		0.5 m/s	291
		MCW			NBR (PU) / MILD STEEL	-30° to +100° C		0.8 m/s	292
		DSI			PU	-35° to +105° C		1.0 m/s	293
PIN				NBR (PU) / MILD STEEL	-30° to +100° C		0.8 m/s	294	
PIN A				NBR (PU) / MILD STEEL	-30° to +100° C		0.8 m/s	295	
SDK			NBR	-30° to +100° C		1.0 m/s	296		








DESCRIPTIONS

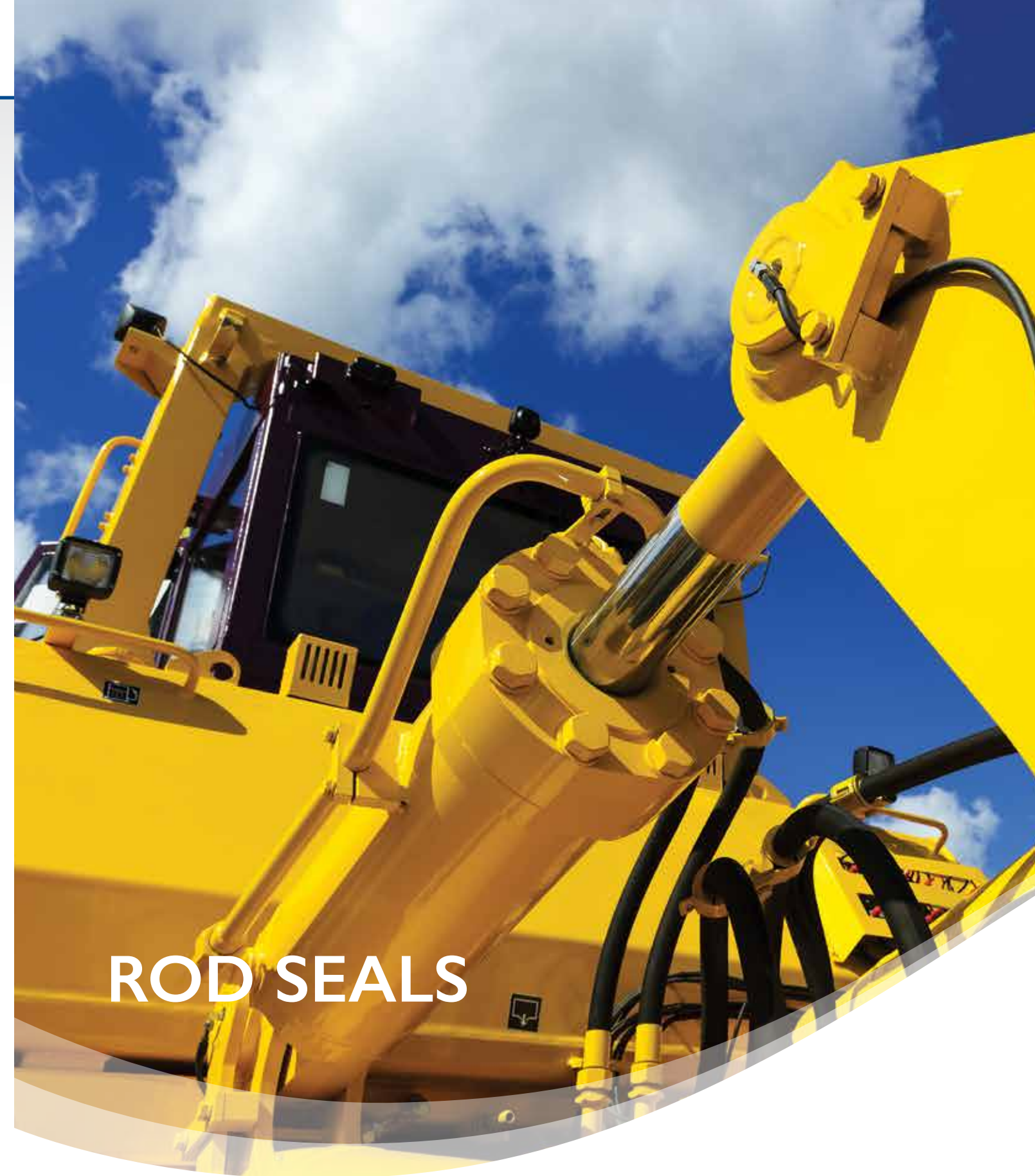
TYPE	PREFIX	PRODUCT IMAGE	PROFILE	MATERIAL	TEMP	PRESSURE	SPEED	PAGE #
WIPER SEALS	SCK			NBR	-35° to +100° C		0.8 m/s	297
	WDS			PU	-30° to +100° C		0.8 m/s	298
	WBS			NBR	-30° to +100° C		1.0 m/s	299
	WJS			PU / MILD STEEL	-30° to +100° C		0.8 m/s	300
	WHP			PU	-30° to +100° C		0.8 m/s	301
	WPO			NBR (PU)	-30° to +100° C		4.0 m/s	302
	WNS			NYLON	-30° to +100° C		5.0 m/s	303
	WSW			PU	-30° to +100° C		0.8 m/s	304
	WPU			PU	-30° to +100° C		0.8 m/s	305
	WWS			NBR	-30° to +90° C		0.8 m/s	306
	WTN			FILLED PTFE / NBR	-35° to +100° C		5.0 m/s	307
	BEARINGS	BDU			PTFE / BRONZE / STEEL	-40° to +110° C		4.0 m/s
BRA				ACETAL	-40° to +110° C		5.0 m/s	341
BRB				FILLED PTFE	-50° to +200° C		5.0 m/s	342
BRG				GF NYLON	-30° to +110° C		0.5 m/s	343
BRP				PHENOLIC RESIN	-40° to +120° C		5.0 m/s	344

DESCRIPTIONS

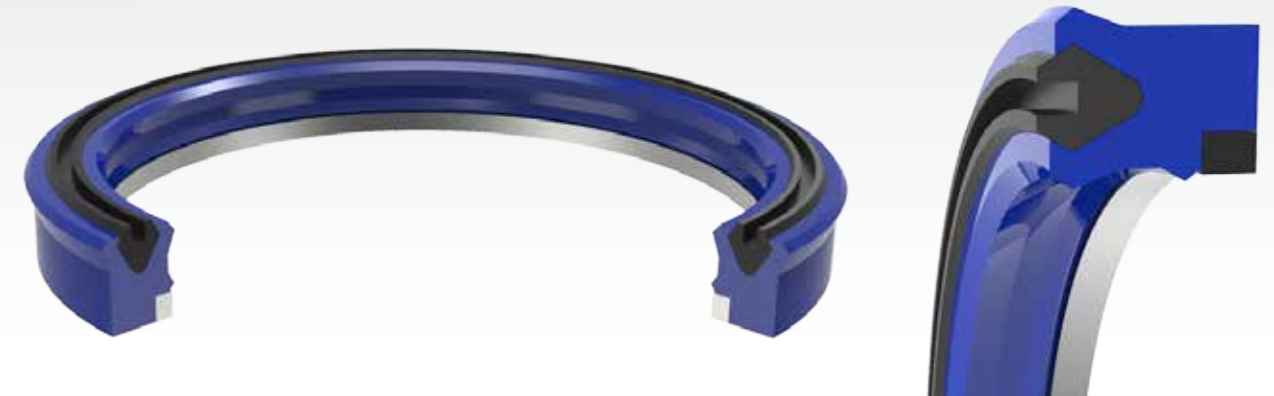
TYPE	PREFIX	PRODUCT IMAGE	PROFILE	MATERIAL	TEMP	PRESSURE	SPEED	PAGE #
BEARINGS	BRN			NYLON	-40° to +100° C		5.0 m/s	357
	BRS			POLYESTER RESIN	-35° to +100° C		5.0 m/s	358
	BFW			FILLED PTFE	-50° to +200° C		5.0 m/s	359
	CFW			FILLED PTFE	-50° to +200° C		5.0 m/s	360
O-RINGS	OR			VARIOUS			0.5 m/s	383
	QR			VARIOUS			0.5 m/s	384
	KITS			VARIOUS			0.5 m/s	534-535
BACK-UPS	BU			VARIOUS			0.5 m/s	537
PNEUMATIC	DAP			NBR / MILD STEEL	-30° to +100° C	16	1.0 m/s	550
	DAP/S			NBR / MILD STEEL	-30° to +105° C	16	1.0 m/s	551
	GUR			NBR	-30° to +100° C	150	0.5 m/s	552
	DEU			NBR	-30° to +100° C	150	0.5 m/s	553
	PZD			NBR	-30° to +105° C	12	1.0 m/s	554
	L65			NBR	-30° to +105° C	12	1.0 m/s	555
	SUR			NBR	-30° to +100° C	100	0.5 m/s	556
BHW			PU / PU -TPU	-30° to +80° C	20	1.0 m/s	577	

DESCRIPTIONS

TYPE	PREFIX	PRODUCT IMAGE	PROFILE	MATERIAL	TEMP	PRESSURE	SPEED	PAGE #
PNEUMATIC	BHW2			PU / PU -TPU	- 30° to +80° C	20	1.0 m/s	578
	CSA			PU	- 30° to +100° C	20	1.0 m/s	579
	DIU			NBR	- 30° to +100° C	100	0.5 m/s	580
	WHP / S			NBR / MILD STEEL	- 30° to +105° C	20	0.5 m/s	581
FLANGE	FSA			PU	- 30° to +100° C	420		594
BONDED WASHERS	BDW			VARIOUS				597
TECHNICAL INFORMATION								602



ROD SEALS



TECHNICAL SPECIFICATIONS

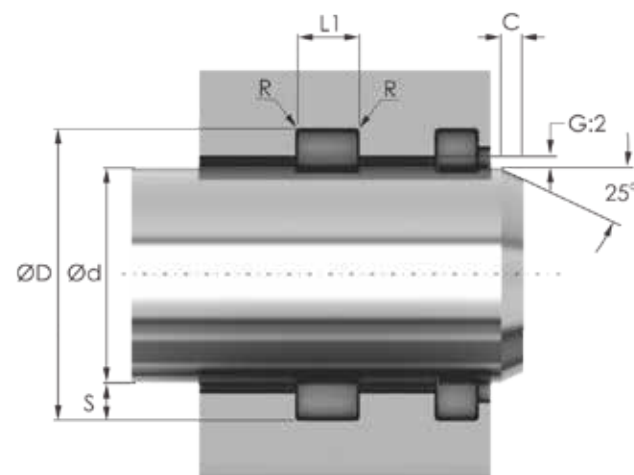
SPECIFIED TOLERANCES		
ØD	Ød	L1
Js11	h9	+0.2 (+ 0.008) +0.4 (+ 0.016)

MAXIMUM OPERATING CONDITIONS		
Temp °C	Pressure	Speed
-30° to +100° C	100 bar (1500 psi)	0.5 m/sec (1.5 ft/sec)

SURFACE FINISH	
DYNAMIC SEALING SURFACE	0.1 to 0.4 µm Ra
STATIC SEALING SURFACE	0.8 to 1.6 µm Ra
STATIC HOUSING FACE	1.4 to 3.2 µm Ra

MAXIMUM EXTRUSION GAP v PRESSURE			
G mm	Bar	G inches	p.s.i
0.7	10	0.028	150
0.6	30	0.024	500
0.5	70	0.020	1000
0.4	100	0.016	1500

RADII AND CHAMFER						
S mm	4.00	5.00	7.50	10.00	12.50	15.00
R mm	0.20	0.40	0.80	0.80	1.20	1.60
C mm	3.20	4.00	6.00	8.00	10.00	12.00
S inches	0.125	0.187	0.250	0.312	0.375	0.500
R inches	0.008	0.016	0.032	0.032	0.048	0.062
C inches	0.100	0.150	0.200	0.250	0.300	0.400



DESIGN

- Single acting rod seal.
- Deep groove ensures low friction and linear movement at low pressures.

MATERIAL

- Nitrile Rubber Seal.

APPLICATION

- Used in pneumatic and light duty hydraulic applications.

FLUIDS

- Hydraulic fluids & petroleum fuels & oils.

TECHNICAL SPECIFICATIONS

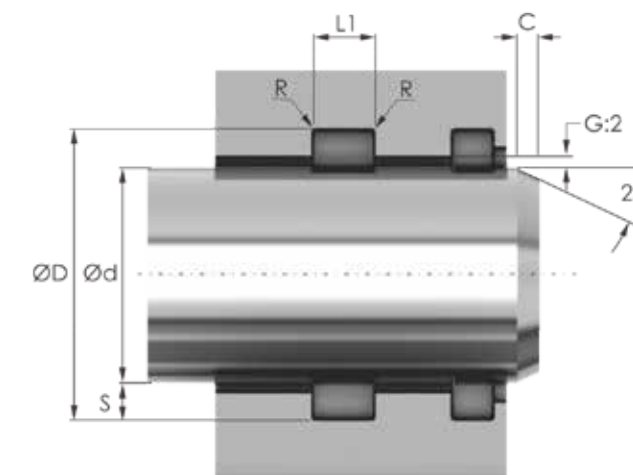
SPECIFIED TOLERANCES		
ØD	Ød	L1
Js11	h9	+0.2 (+ 0.008) +0.4 (+ 0.016)

MAXIMUM OPERATING CONDITIONS		
Temp °C	Pressure	Speed
-30° to +100° C	700 bar (10,000 psi)	0.5 m/sec (1.5 ft/sec)

SURFACE FINISH	
DYNAMIC SEALING SURFACE	0.1 to 0.4 µm Ra
STATIC SEALING SURFACE	0.8 to 1.6 µm Ra
STATIC HOUSING FACE	1.4 to 3.2 µm Ra

MAXIMUM EXTRUSION GAP v PRESSURE			
G mm	Bar	G inches	p.s.i
1.00	160	0.040	2400
0.80	250	0.032	3750
0.60	400	0.024	6000
0.40	500	0.016	7500
0.25	700	0.010	10000

RADII AND CHAMFER						
S mm	4.00	5.00	7.50	10.00	12.50	15.00
R mm	0.20	0.40	0.80	0.80	1.20	1.60
C mm	3.20	4.00	6.00	8.00	10.00	12.00
S inches	0.125	0.187	0.250	0.312	0.375	0.500
R inches	0.008	0.016	0.032	0.032	0.048	0.062
C inches	0.100	0.150	0.200	0.250	0.300	0.400



DESIGN

- Single acting rod seal with an anti-extrusion ring.

MATERIAL

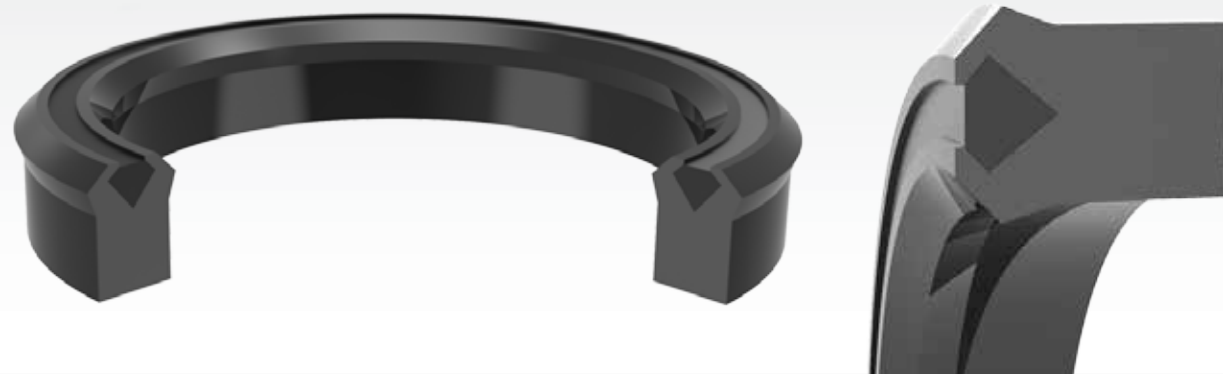
- PU93A Polyurethane with low compression set, high modulus of elasticity and excellent resistance to abrasion.
- NBR energiser ring.
- Acetal A.E ring.

APPLICATION

- Heavy duty applications .
- Used in conjunction with wear rings in the gland.
- Used in mining applications.

FLUIDS

- Hydraulic fluids, petroleum fuels and oils



TECHNICAL SPECIFICATIONS

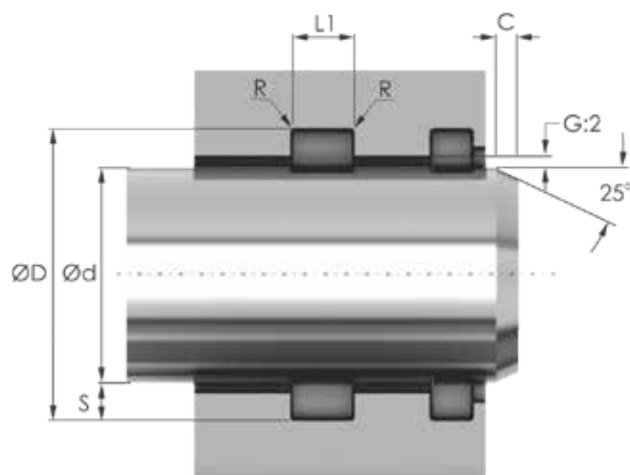
SPECIFIED TOLERANCES		
ØD	Ød	L1
Js11	h9	+0.2 (+ 0.008) +0.4 (+ 0.016)

MAXIMUM OPERATING CONDITIONS		
Temp °C	Pressure	Speed
-30° to +100° C	400 bar (6000 psi)	0.5 m/sec (1.5 ft/sec)

SURFACE FINISH	
DYNAMIC SEALING SURFACE	0.1 to 0.4 µm Ra
STATIC SEALING SURFACE	0.8 to 1.6 µm Ra
STATIC HOUSING FACE	1.4 to 3.2 µm Ra

MAXIMUM EXTRUSION GAP v PRESSURE			
G mm	Bar	G inches	p.s.i
0.50	50	0.020	750
0.40	100	0.016	1500
0.30	150	0.012	2250
0.15	200	0.006	3000
0.10	300	0.004	4500
0.05	400	0.002	6000

RADII AND CHAMFER						
S mm	4.00	5.00	7.50	10.00	12.50	15.00
R mm	0.20	0.40	0.80	0.80	1.20	1.60
C mm	3.20	4.00	6.00	8.00	10.00	12.00
S inches	0.125	0.187	0.250	0.312	0.375	0.500
R inches	0.008	0.016	0.032	0.032	0.048	0.062
C inches	0.100	0.150	0.200	0.250	0.300	0.400



DESIGN

- Single acting rod or piston seal with energising ring.
- Suitable for low pressure sealing.

MATERIAL

- PU93A Polyurethane with low compression set, high modulus of elasticity and excellent resistance to abrasion.
- NBR energiser ring.

APPLICATION

- Single acting rod or piston seal.

FLUIDS

- Hydraulic fluids & petroleum fuels & oils

TECHNICAL SPECIFICATIONS

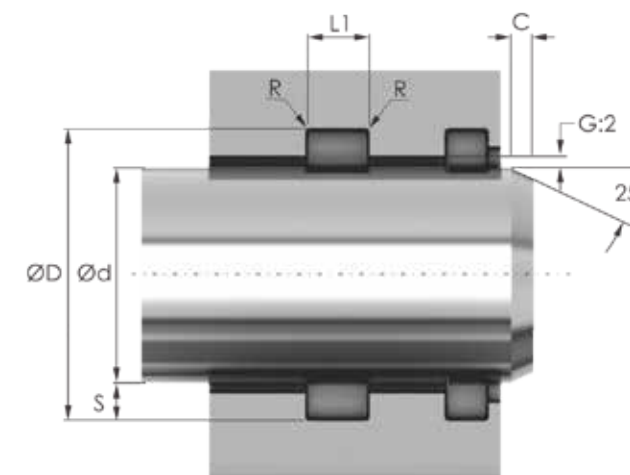
SPECIFIED TOLERANCES		
ØD	Ød	L1
Js11	h9	+0.2 (+ 0.008) +0.4 (+ 0.016)

MAXIMUM OPERATING CONDITIONS		
Temp °C	Pressure	Speed
-35° to +110° C	400 bar (6000 psi)	0.5 m/sec (1.5 ft/sec)

SURFACE FINISH	
DYNAMIC SEALING SURFACE	0.1 to 0.4 µm Ra
STATIC SEALING SURFACE	0.8 to 1.6 µm Ra
STATIC HOUSING FACE	1.4 to 3.2 µm Ra

MAXIMUM EXTRUSION GAP v PRESSURE			
G mm	Bar	G inches	p.s.i
0.50	50	0.020	750
0.40	100	0.016	1500
0.30	150	0.012	2250
0.15	200	0.006	3000
0.10	300	0.004	4500
0.05	400	0.002	6000

RADII AND CHAMFER						
S mm	4.00	5.00	7.50	10.00	12.50	15.00
R mm	0.20	0.40	0.80	0.80	1.20	1.60
C mm	3.20	4.00	6.00	8.00	10.00	12.00
S inches	0.125	0.187	0.250	0.312	0.375	0.500
R inches	0.008	0.016	0.032	0.032	0.048	0.062
C inches	0.100	0.150	0.200	0.250	0.300	0.400



DESIGN

- Symmetrical lips permits use in both rod and piston applications.
- Deep groove ensures low friction and linear movement at low pressures.

MATERIAL

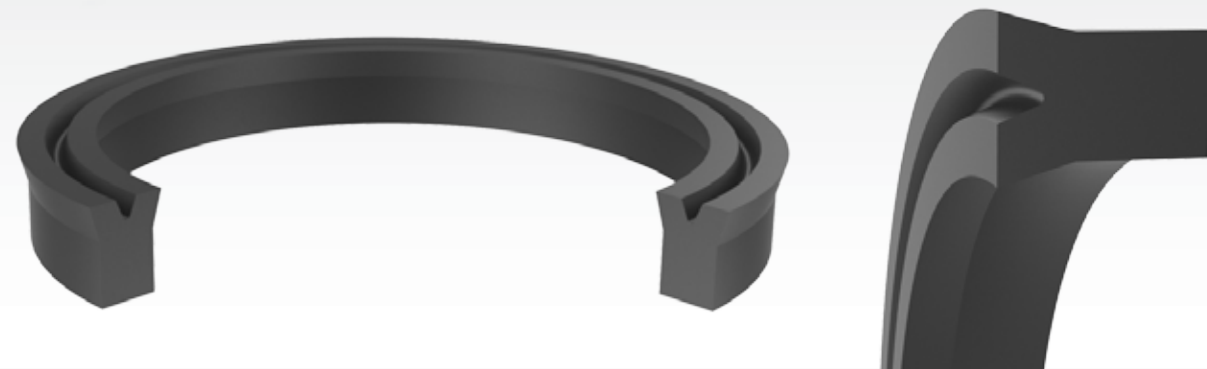
- PU93A Polyurethane with low compression set, high modulus of elasticity and excellent resistance to abrasion.

APPLICATION

- Single acting rod or piston seal.

FLUIDS

- Hydraulic fluids & petroleum fuels & oils



TECHNICAL SPECIFICATIONS

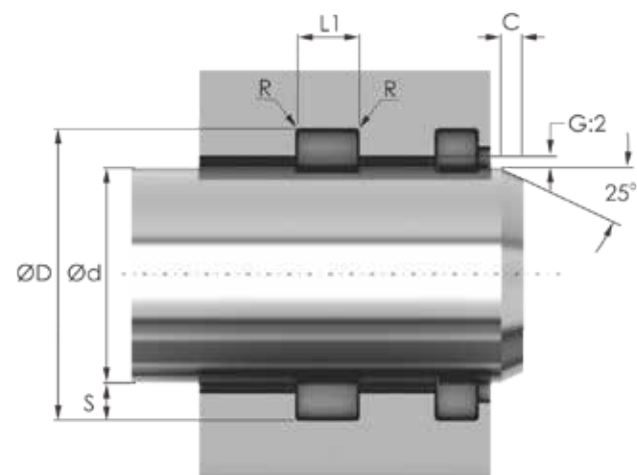
SPECIFIED TOLERANCES		
ØD	Ød	L1
Js11	h9	+0.2 (+ 0.008) +0.4 (+ 0.016)

MAXIMUM OPERATING CONDITIONS		
Temp °C	Pressure	Speed
- 30° to + 105° C	150 bar (2175 psi)	0.5 m/sec (3.0 ft/sec)

SURFACE FINISH	
DYNAMIC SEALING SURFACE	0.1 to 0.4 µm Ra
STATIC SEALING SURFACE	0.8 to 1.6 µm Ra
STATIC HOUSING FACE	1.4 to 3.2 µm Ra

MAXIMUM EXTRUSION GAP v PRESSURE			
G mm	Bar	G inches	p.s.i
0.80	50	0.031	750
0.40	100	0.016	1500
0.20	150	0.008	2175

RADII AND CHAMFER						
S mm	4.00	5.00	7.50	10.00	12.50	15.00
R mm	0.20	0.40	0.80	0.80	1.20	1.60
C mm	3.20	4.00	6.00	8.00	10.00	12.00
S inches	0.125	0.187	0.250	0.312	0.375	0.500
R inches	0.008	0.016	0.032	0.032	0.048	0.062
C inches	0.100	0.150	0.200	0.250	0.300	0.400



DESIGN

- Single acting rod and piston seal with symmetrical lips.
- Easy assembly into closed groove.

MATERIAL

- NBR 90A Duro - precision moulded.

APPLICATION

- General purpose light to medium duty hydraulic rod seal.

FLUIDS

- Hydraulic fluids, petroleum fuels and oils.

TECHNICAL SPECIFICATIONS

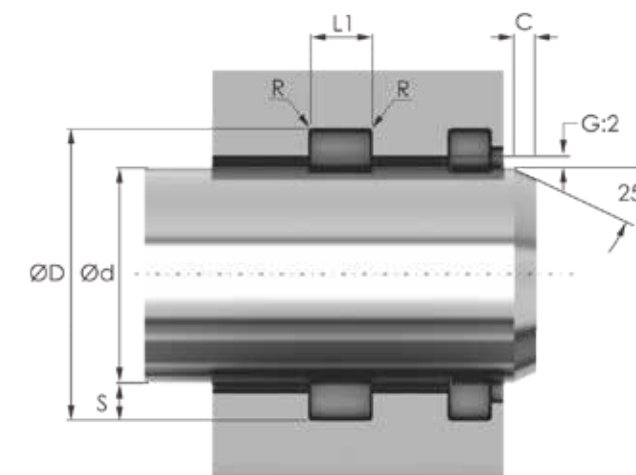
SPECIFIED TOLERANCES		
ØD	Ød	L1
Js11	h9	+0.2 (+ 0.008) +0.4 (+ 0.016)

MAXIMUM OPERATING CONDITIONS		
Temp °C	Pressure	Speed
- 30° to + 100° C	300 bar (4500 psi)	4.0 m/sec (12.0 ft/sec)

SURFACE FINISH	
DYNAMIC SEALING SURFACE	0.1 to 0.4 µm Ra
STATIC SEALING SURFACE	0.8 to 1.6 µm Ra
STATIC HOUSING FACE	1.4 to 3.2 µm Ra

MAXIMUM EXTRUSION GAP v PRESSURE			
G mm	Bar	G inches	p.s.i
0.60	100	0.024	1500
0.50	150	0.020	2400
0.45	250	0.018	3750
0.40	300	0.016	4500

RADII AND CHAMFER						
S mm	4.00	5.00	7.50	10.00	12.50	15.00
R mm	0.20	0.40	0.80	0.80	1.20	1.60
C mm	3.20	4.00	6.00	8.00	10.00	12.00
S inches	0.125	0.187	0.250	0.312	0.375	0.500
R inches	0.008	0.016	0.032	0.032	0.048	0.062
C inches	0.100	0.150	0.200	0.250	0.300	0.400



DESIGN

- Low friction glide ring.
- Space saving.

MATERIAL

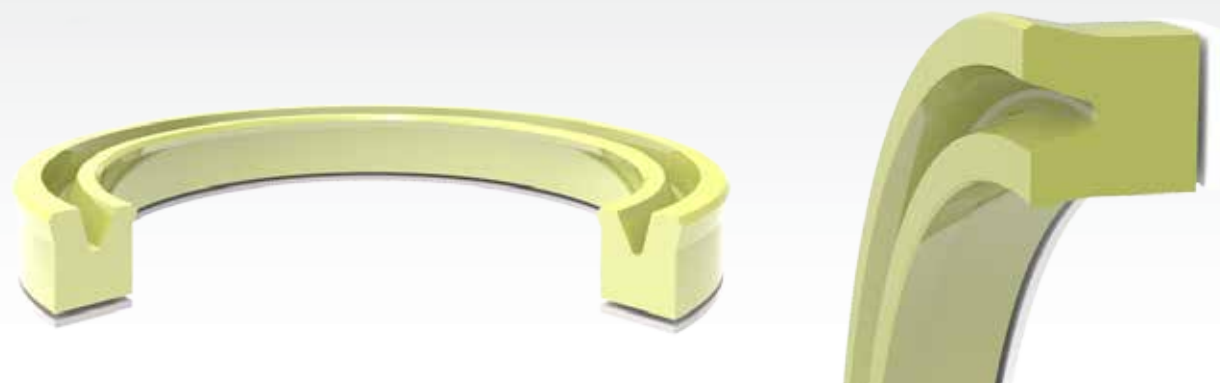
- Filled PTFE.
- NBR energiser ring.
- Other material combinations available on request.

APPLICATION

- Single acting rod seal normally used in tandem.
- Used as a buffer seal.

FLUIDS

- Hydraulic fluids & petroleum fuels & oils.



TECHNICAL SPECIFICATIONS

SPECIFIED TOLERANCES		
ØD	Ød	L1
Js11	h9	+0.2 (+ 0.008) +0.4 (+ 0.016)

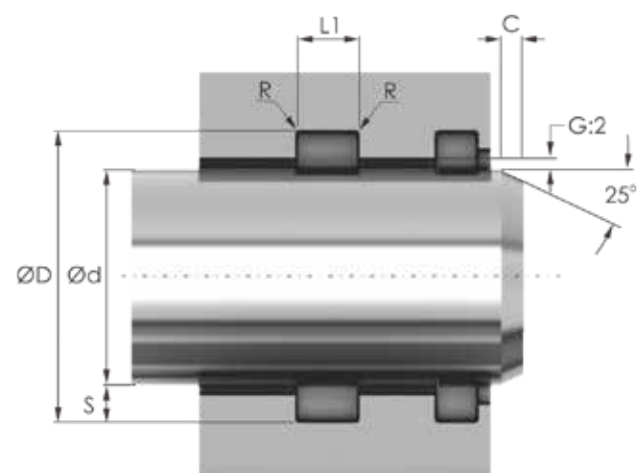
MAXIMUM OPERATING CONDITIONS			
Temp °C	Pressure (with backup)	Pressure (without backup)	Speed
-35° to +100° C	300 bar	700 bar	0.5 m/sec
	4,350 psi	10,150 psi	1.5 ft/sec

SURFACE FINISH	
DYNAMIC SEALING SURFACE	0.1 to 0.4 µm Ra
STATIC SEALING SURFACE	0.8 to 1.6 µm Ra
STATIC HOUSING FACE	1.4 to 3.2 µm Ra

MAXIMUM EXTRUSION GAP v PRESSURE (without backup)			
G mm	Bar	G inches	p.s.i
1.00	80	0.040	1160
0.80	90	0.032	1305
0.60	120	0.024	1740
0.40	250	0.016	3625
0.25	300	0.010	4350

MAXIMUM EXTRUSION GAP v PRESSURE (with backup)			
G mm	Bar	G inches	p.s.i
1.00	350	0.040	5075
0.80	380	0.032	5500
0.60	420	0.024	6000
0.40	700	0.016	10150
0.25	750	0.010	10800

RADI AND CHAMFER						
S mm	4.00	5.00	7.50	10.00	12.50	15.00
R mm	0.20	0.40	0.80	0.80	1.20	1.60
C mm	3.20	4.00	6.00	8.00	10.00	12.00
S inches	0.125	0.187	0.250	0.312	0.375	0.500
R inches	0.008	0.016	0.032	0.032	0.048	0.062
C inches	0.100	0.150	0.200	0.250	0.300	0.400



DESIGN

- Single acting rod seal for earthmoving and other heavy duty applications.
- Useful in low and high pressure applications.
- Optional Nylon backup ring will increase maximum sealing pressure

MATERIAL

- PU93A Polyurethane with low compression set, high modulus of elasticity and excellent resistance to abrasion.
- Optional Nylon Backup ring

APPLICATION

- Hydraulic fluids, petroleum fuels and oils.

FLUIDS

- Hydraulic fluids, petroleum fuels and oils.

TECHNICAL SPECIFICATIONS

SPECIFIED TOLERANCES		
ØD	Ød	L1
Js11	h9	+0.2 (+ 0.008) +0.4 (+ 0.016)

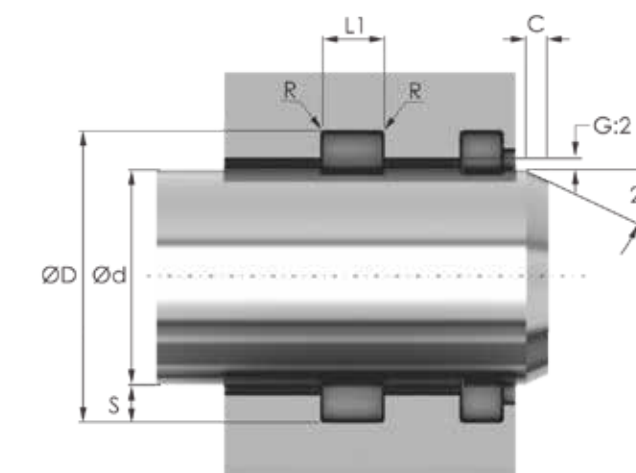
MAXIMUM OPERATING CONDITIONS			
Temp °C	Pressure (without backup)	Pressure (with backup)	Speed
-55° to +80° C	210 bar	140 bar	1.0 m/sec
	3,050 psi	2,050 psi	3.0 ft/sec

SURFACE FINISH	
DYNAMIC SEALING SURFACE	0.1 to 0.4 µm Ra
STATIC SEALING SURFACE	0.8 to 1.6 µm Ra
STATIC HOUSING FACE	1.4 to 3.2 µm Ra

MAXIMUM EXTRUSION GAP v PRESSURE (with backup)			
G mm	Bar	G inches	p.s.i
1.20	125	0.046	1812
1.00	150	0.039	2175
0.80	180	0.032	2610
0.40	210	0.016	3045
0.20	210	0.008	3045

MAXIMUM EXTRUSION GAP v PRESSURE (without backup)			
G mm	Bar	G inches	p.s.i
0.60	50	0.023	750
0.40	100	0.016	1500
0.20	140	0.008	2030

RADI AND CHAMFER						
S mm	4.00	5.00	7.50	10.00	12.50	15.00
R mm	0.20	0.40	0.80	0.80	1.20	1.60
C mm	3.20	4.00	6.00	8.00	10.00	12.00
S inches	0.125	0.187	0.250	0.312	0.375	0.500
R inches	0.008	0.016	0.032	0.032	0.048	0.062
C inches	0.100	0.150	0.200	0.250	0.300	0.400



DESIGN

- Single acting rod seal for earthmoving and other heavy duty applications.
- Useful in low and high pressure applications.
- Notched design assists in the prevention of damage caused by back pressure.
- Optional PTFE backup ring increases maximum sealing pressure.

MATERIAL

- NBR 90A Duro with low compression set, high modulus of elasticity and excellent resistance to abrasion.
- PTFE backup ring (optional).

APPLICATION

- Used in medium duty agricultural, earthmoving and industrial machinery.

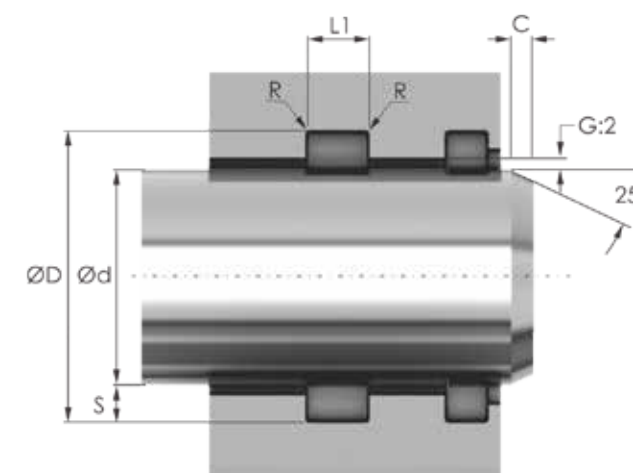
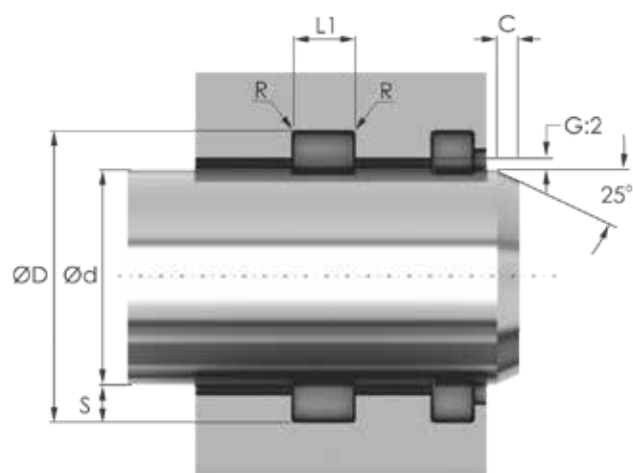
FLUIDS

- Hydraulic fluids & petroleum fuels & oils.



TECHNICAL SPECIFICATIONS

TECHNICAL SPECIFICATIONS



SPECIFIED TOLERANCES		
ØD	Ød	L1
Js11	h9	+0.2 (+0.008) +0.4 (+0.016)

SPECIFIED TOLERANCES		
ØD	Ød	L1
Js11	h9	+0.2 (+0.008) +0.4 (+0.016)

MAXIMUM OPERATING CONDITIONS			
Temp °C	Pressure (without backup)	Pressure (with backup)	Speed
-35° to +100° C	700 bar	300 bar	0.5 m/sec
	10,150 psi	4,350 psi	1.5 ft/sec

MAXIMUM OPERATING CONDITIONS		
Temp °C	Pressure	Speed
-35° to +110° C	400 bar (6000 psi)	0.5 m/sec (1.5 ft/sec)

SURFACE FINISH	
DYNAMIC SEALING SURFACE	0.1 to 0.4 µm Ra
STATIC SEALING SURFACE	0.8 to 1.6 µm Ra
STATIC HOUSING FACE	1.4 to 3.2 µm Ra

SURFACE FINISH	
DYNAMIC SEALING SURFACE	0.1 to 0.4 µm Ra
STATIC SEALING SURFACE	0.8 to 1.6 µm Ra
STATIC HOUSING FACE	1.4 to 3.2 µm Ra

MAXIMUM EXTRUSION GAP v PRESSURE (without backup)			
G mm	Bar	G inches	p.s.i
1.00	80	0.040	1160
0.80	90	0.032	1305
0.60	120	0.024	1740
0.40	250	0.016	3625
0.25	300	0.010	4350

MAXIMUM EXTRUSION GAP v PRESSURE			
G mm	Bar	G inches	p.s.i
0.50	50	0.020	750
0.40	100	0.016	1500
0.30	150	0.012	2250
0.15	200	0.006	3000
0.10	300	0.004	4500
0.05	400	0.002	6000

MAXIMUM EXTRUSION GAP v PRESSURE (with backup)			
G mm	Bar	G inches	p.s.i
1.00	350	0.040	5075
0.80	380	0.032	5500
0.60	420	0.024	6000
0.40	700	0.016	10150
0.25	750	0.010	10800

RADII AND CHAMFER						
S mm	4.00	5.00	7.50	10.00	12.50	15.00
R mm	0.20	0.40	0.80	0.80	1.20	1.60
C mm	3.20	4.00	6.00	8.00	10.00	12.00
S inches	0.125	0.187	0.250	0.312	0.375	0.500
R inches	0.008	0.016	0.032	0.032	0.048	0.062
C inches	0.100	0.150	0.200	0.250	0.300	0.400

RADII AND CHAMFER						
S mm	4.00	5.00	7.50	10.00	12.50	15.00
R mm	0.20	0.40	0.80	0.80	1.20	1.60
C mm	3.20	4.00	6.00	8.00	10.00	12.00
S inches	0.125	0.187	0.250	0.312	0.375	0.500
R inches	0.008	0.016	0.032	0.032	0.048	0.062
C inches	0.100	0.150	0.200	0.250	0.300	0.400

DESIGN

- Single acting rod seal for earthmoving and other heavy duty applications.
- Useful in low and high pressure applications.
- Optional backup ring will increase maximum sealing pressure

MATERIAL

- PU94A Polyurethane with low compression set, high modulus of elasticity and excellent resistance to abrasion.

APPLICATION

- Used in medium duty agricultural, earthmoving and industrial machinery.

FLUIDS

- Hydraulic fluids, petroleum fuels and oils.

DESIGN

- Single acting asymmetrical rod seal with secondary lip.
- Secondary lip reduces stick slip due to fluid reservoir between sealing lips.
- Secondary lip prevents external contamination.
- Secondary lip acts as stabilizer.
- Counters shrinking at low pressure.
- Excellent dry rod capabilities

MATERIAL

- PU93A Polyurethane with low compression set, high modulus of elasticity and excellent resistance to abrasion.

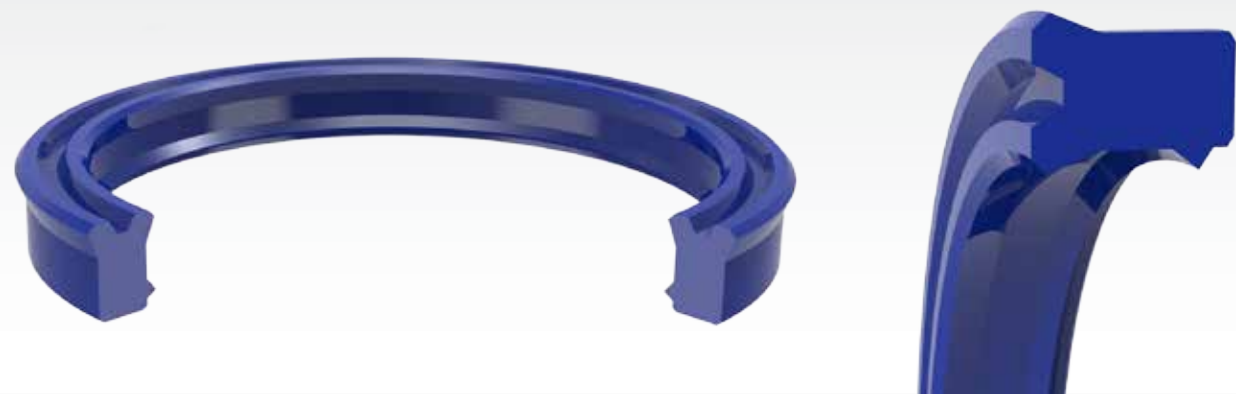
APPLICATION

- Single acting rod seal.
- Used in a variety of agricultural, material handling and telescopic cylinders.

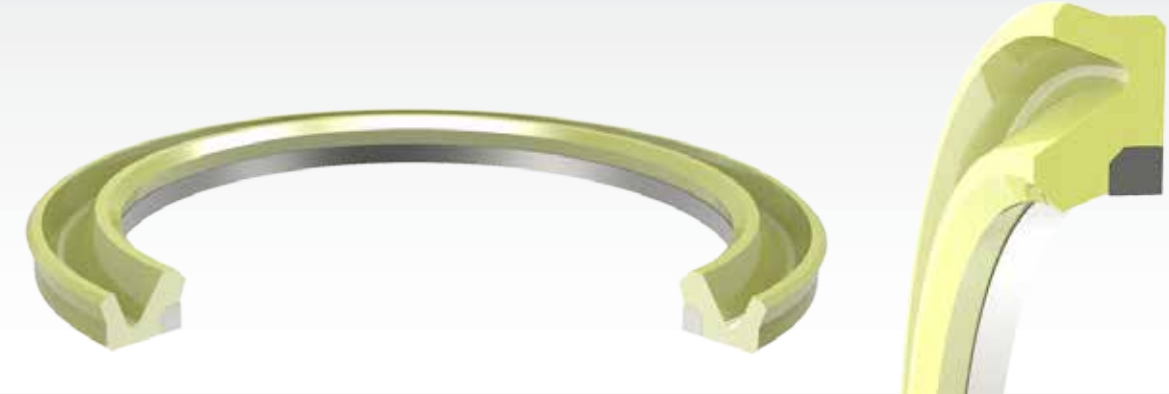
FLUIDS

- Hydraulic fluids & petroleum fuels & oils

R99



RBR



TECHNICAL SPECIFICATIONS

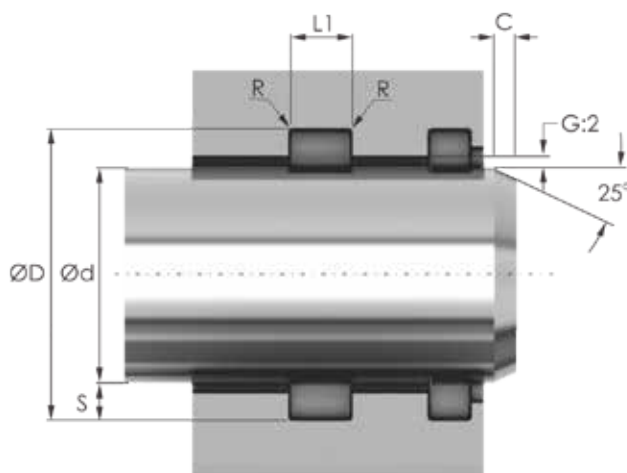
SPECIFIED TOLERANCES		
ØD	Ød	L1
Js11	h9	+0.2 (+ 0.008) +0.4 (+ 0.016)

MAXIMUM OPERATING CONDITIONS		
Temp °C	Pressure	Speed
-35° to +110° C	400 bar (6000 psi)	0.5 m/sec (1.5 ft/sec)

SURFACE FINISH	
DYNAMIC SEALING SURFACE	0.1 to 0.4 µm Ra
STATIC SEALING SURFACE	0.8 to 1.6 µm Ra
STATIC HOUSING FACE	1.4 to 3.2 µm Ra

MAXIMUM EXTRUSION GAP v PRESSURE			
G mm	Bar	G inches	p.s.i
0.50	50	0.020	750
0.40	100	0.016	1500
0.30	150	0.012	2250
0.15	200	0.006	3000
0.10	300	0.004	4500
0.05	400	0.002	6000

RADII AND CHAMFER						
S mm	4.00	5.00	7.50	10.00	12.50	15.00
R mm	0.20	0.40	0.80	0.80	1.20	1.60
C mm	3.20	4.00	6.00	8.00	10.00	12.00
S inches	0.125	0.187	0.250	0.312	0.375	0.500
R inches	0.008	0.016	0.032	0.032	0.048	0.062
C inches	0.100	0.150	0.200	0.250	0.300	0.400



DESIGN

- Single acting rod seal with secondary lip.
- Secondary lip reduces stick slip due to fluid reservoir between sealing lips.
- Suitable for low pressure sealing.
- Secondary lip prevents external contamination.
- Secondary lip acts as stabilizer.
- Counters shrinking at low pressure.
- Excellent dry rod capabilities

MATERIAL

- PU93A Polyurethane with low compression set, high modulus of elasticity and excellent resistance to abrasion.

APPLICATION

- Single acting rod seal.
- Used in a variety of agricultural, material handling and telescopic cylinders.

FLUIDS

- Hydraulic fluids & petroleum fuels & oils

TECHNICAL SPECIFICATIONS

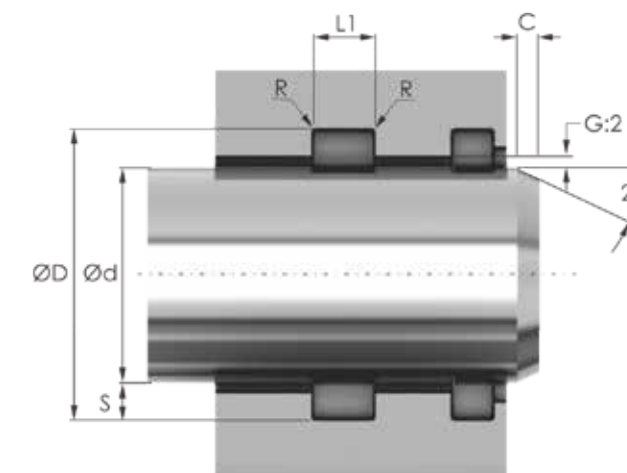
SPECIFIED TOLERANCES		
ØD	Ød	L1
Js11	h9	+0.2 (+ 0.008) +0.4 (+ 0.016)

MAXIMUM OPERATING CONDITIONS		
Temp °C	Pressure	Speed
-30° to +100° C	400 bar (6000 psi)	0.8 m/sec (2.4 ft/sec)

SURFACE FINISH	
DYNAMIC SEALING SURFACE	0.1 to 0.4 µm Ra
STATIC SEALING SURFACE	0.8 to 1.6 µm Ra
STATIC HOUSING FACE	1.4 to 3.2 µm Ra

MAXIMUM EXTRUSION GAP v PRESSURE			
G mm	Bar	G inches	p.s.i
1.00	160	0.040	2400
0.80	250	0.032	3750
0.60	400	0.024	6000

RADII AND CHAMFER						
S mm	4.00	5.00	7.50	10.00	12.50	15.00
R mm	0.20	0.40	0.80	0.80	1.20	1.60
C mm	3.20	4.00	6.00	8.00	10.00	12.00
S inches	0.125	0.187	0.250	0.312	0.375	0.500
R inches	0.008	0.016	0.032	0.032	0.048	0.062
C inches	0.100	0.150	0.200	0.250	0.300	0.400



DESIGN

- Single acting buffer seal with anti-extrusion ring.
- Used in conjunction with a primary rod seal.
- Absorbs shock pressure and protects the primary seal.
- Can tolerate higher extrusion gaps.

MATERIAL

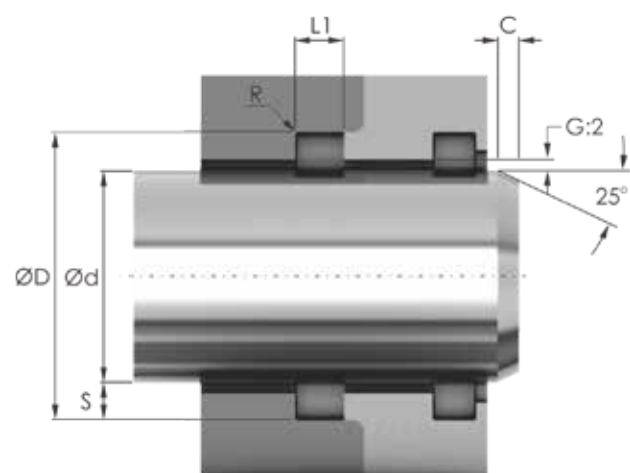
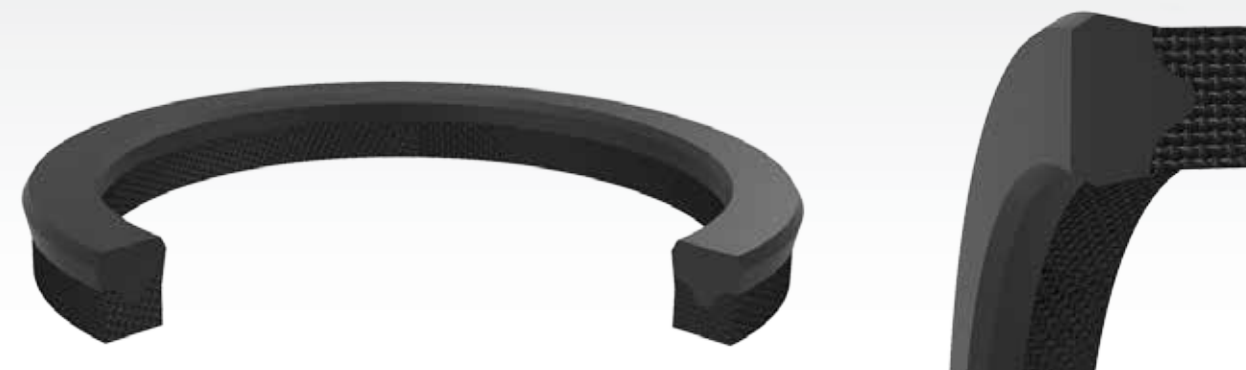
- PU93A Polyurethane with low compression set, high modulus of elasticity and excellent resistance to wear.
- Acetal anti-extrusion ring.

APPLICATION

- Used as a buffer seal.

FLUIDS

- Hydraulic fluids & petroleum fuels & oils



TECHNICAL SPECIFICATIONS

SPECIFIED TOLERANCES			
ØD	Ød	L1	
Js11	h9	+0.2 (+ 0.008)	+0.4 (+ 0.016)

MAXIMUM OPERATING CONDITIONS		
Temp °C	Pressure	Speed
- 30° to +100° C	700 bar (10000 psi)	0.5 m/sec (1.5 ft/sec)

SURFACE FINISH	
DYNAMIC SEALING SURFACE	0.1 to 0.4 µm Ra
STATIC SEALING SURFACE	0.8 to 1.6 µm Ra
STATIC HOUSING FACE	1.4 to 3.2 µm Ra

MAXIMUM EXTRUSION GAP v PRESSURE			
G mm	Bar	G inches	p.s.i
1	100	0.04	1500
0.9	160	0.036	2400
0.8	250	0.032	3750
0.6	400	0.024	6000
0.4	500	0.016	7500
0.25	700	0.01	10000

RADII AND CHAMFER						
S mm	4.00	5.00	7.50	10.00	12.50	15.00
R mm	0.20	0.40	0.80	0.80	1.20	1.60
C mm	3.20	4.00	6.00	8.00	10.00	12.00
S inches	0.125	0.187	0.250	0.312	0.375	0.500
R inches	0.008	0.016	0.032	0.032	0.048	0.062
C inches	0.100	0.150	0.200	0.250	0.300	0.400

DESIGN

- Single acting heavy duty rod seal.
- Rubber header for low pressure sealing.
- Anti extrusion ring.

MATERIAL

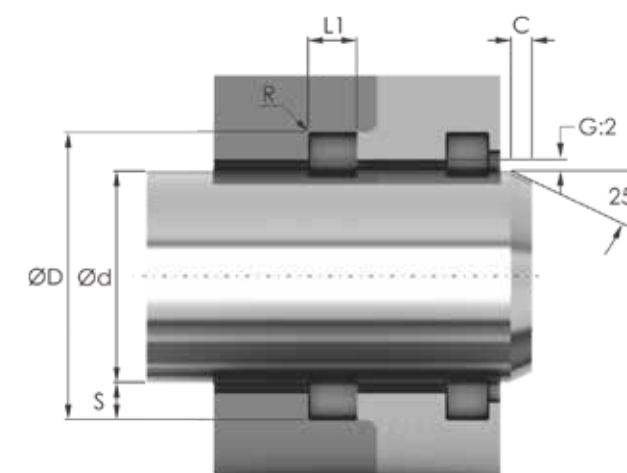
- NBR element.
- TPE support rings.
- Acetal anti-extrusion ring.

APPLICATION

- Single acting rod seal.
- Suitable for heavy service conditions.
- Replaces pressure activated vee packing.

FLUIDS

- Hydraulic fluids & petroleum fuels & oils.



TECHNICAL SPECIFICATIONS

SPECIFIED TOLERANCES		
ØD	Ød	L1
Js11	h9	+0.2 (+ 0.008) +0.4 (+ 0.016)

MAXIMUM OPERATING CONDITIONS		
Temp °C	Pressure	Speed
- 30° to +100° C	400 bar (6000 psi)	0.5 m/sec (1.5 ft/sec)

SURFACE FINISH	
DYNAMIC SEALING SURFACE	0.1 to 0.4 µm Ra
STATIC SEALING SURFACE	0.8 to 1.6 µm Ra
STATIC HOUSING FACE	1.4 to 3.2 µm Ra

MAXIMUM EXTRUSION GAP v PRESSURE			
G mm	Bar	G inches	p.s.i
0.5	50	0.02	750
0.4	100	0.016	1500
0.3	150	0.012	2250
0.15	200	0.006	3000
0.1	300	0.004	4500
0.05	400	0.002	6000

RADII AND CHAMFER						
S mm	4.00	5.00	7.50	10.00	12.50	15.00
R mm	0.20	0.40	0.80	0.80	1.20	1.60
C mm	3.20	4.00	6.00	8.00	10.00	12.00
S inches	0.125	0.187	0.250	0.312	0.375	0.500
R inches	0.008	0.016	0.032	0.032	0.048	0.062
C inches	0.100	0.150	0.200	0.250	0.300	0.400

DESIGN

- Rubber Fabric construction consists of a fabric reinforced base and tough nitrile sealing section.
- Rubber header for low pressure sealing.

MATERIAL

- NBR and NBR impregnated cotton fabric.

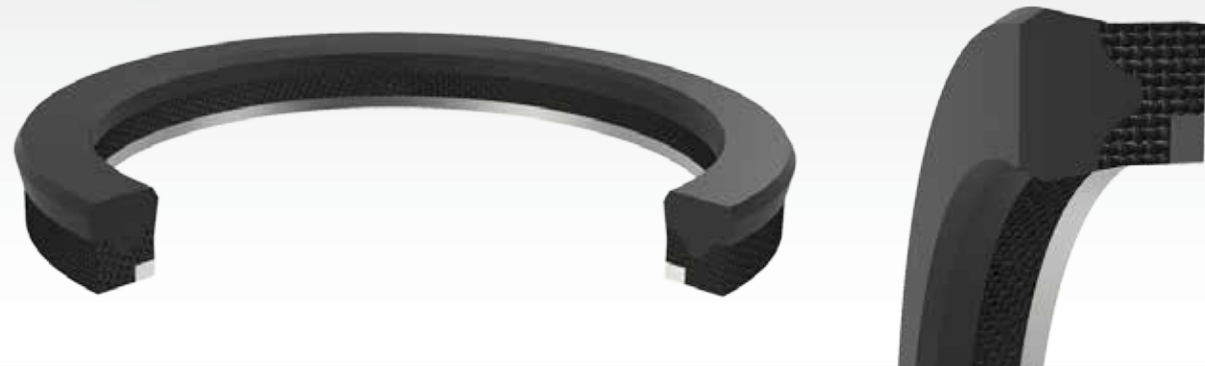
APPLICATION

- Single acting rod or piston seal.
- Suitable for heavy service conditions.

FLUIDS

- Hydraulic fluids & petroleum fuels & oils

SRI



SUR



TECHNICAL SPECIFICATIONS

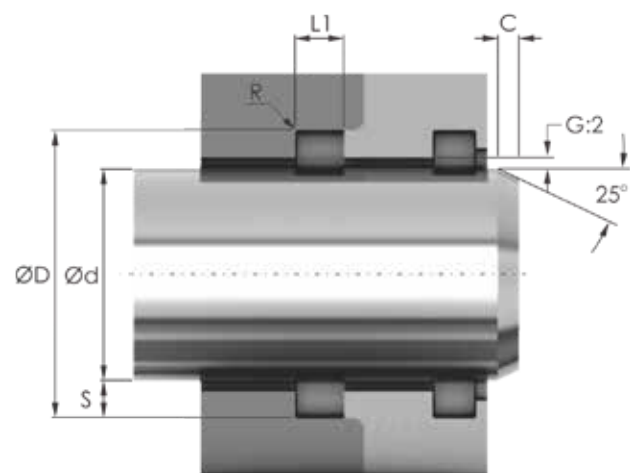
SPECIFIED TOLERANCES			
ØD	Ød	L1	
Js11	h9	+0.2 (+ 0.008)	+0.4 (+ 0.016)

MAXIMUM OPERATING CONDITIONS		
Temp °C	Pressure	Speed
- 30° to +100° C	400 bar (6000 psi)	0.5 m/sec (1.5 ft/sec)

SURFACE FINISH	
DYNAMIC SEALING SURFACE	0.1 to 0.4 µm Ra
STATIC SEALING SURFACE	0.8 to 1.6 µm Ra
STATIC HOUSING FACE	1.4 to 3.2 µm Ra

MAXIMUM EXTRUSION GAP v PRESSURE			
G mm	Bar	G inches	p.s.i
1	100	0.04	1500
0.9	160	0.036	2400
0.8	250	0.032	3750
0.6	400	0.024	6000

RADII AND CHAMFER						
S mm	4.00	5.00	7.50	10.00	12.50	15.00
R mm	0.20	0.40	0.80	0.80	1.20	1.60
C mm	3.20	4.00	6.00	8.00	10.00	12.00
S inches	0.125	0.187	0.250	0.312	0.375	0.500
R inches	0.008	0.016	0.032	0.032	0.048	0.062
C inches	0.100	0.150	0.200	0.250	0.300	0.400



DESIGN

- Rubber Fabric construction consists of a fabric reinforced base and tough nitrile sealing section.
- Rubber header for low pressure sealing.

MATERIAL

- NBR and NBR impregnated cotton fabric.

APPLICATION

- Single acting rod or piston seal.
- Suitable for heavy service conditions.

FLUIDS

- Hydraulic fluids & petroleum fuels & oils

TECHNICAL SPECIFICATIONS

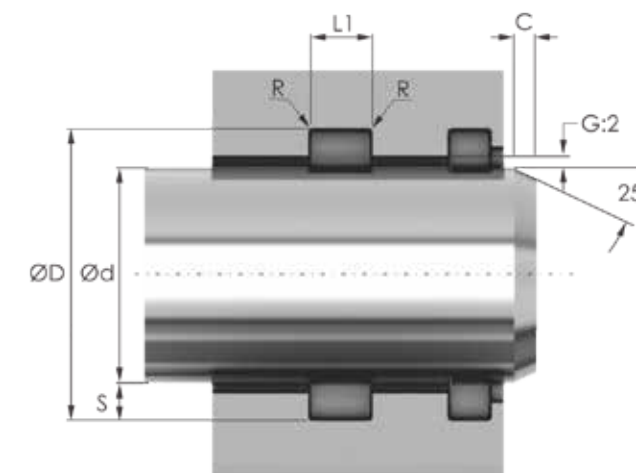
SPECIFIED TOLERANCES			
ØD	Ød	L1	
Js11	h9	+0.2 (+ 0.008)	+0.4 (+ 0.016)

MAXIMUM OPERATING CONDITIONS		
Temp °C	Pressure	Speed
- 30° to +100° C	100 bar (1500 psi)	0.5 m/sec (1.5 ft/sec)

SURFACE FINISH	
DYNAMIC SEALING SURFACE	0.1 to 0.4 µm Ra
STATIC SEALING SURFACE	0.8 to 1.6 µm Ra
STATIC HOUSING FACE	1.4 to 3.2 µm Ra

MAXIMUM EXTRUSION GAP v PRESSURE			
G mm	Bar	G inches	p.s.i
0.7	10	0.028	150
0.6	30	0.024	500
0.5	70	0.020	1000
0.4	100	0.016	1500

RADII AND CHAMFER						
S mm	4.00	5.00	7.50	10.00	12.50	15.00
R mm	0.20	0.40	0.80	0.80	1.20	1.60
C mm	3.20	4.00	6.00	8.00	10.00	12.00
S inches	0.125	0.187	0.250	0.312	0.375	0.500
R inches	0.008	0.016	0.032	0.032	0.048	0.062
C inches	0.100	0.150	0.200	0.250	0.300	0.400



DESIGN

- Single acting rod or piston seal.
- Symmetrical lips permits use in both rod and piston applications.
- Deep groove ensures low friction and linear movement at low pressures.

MATERIAL

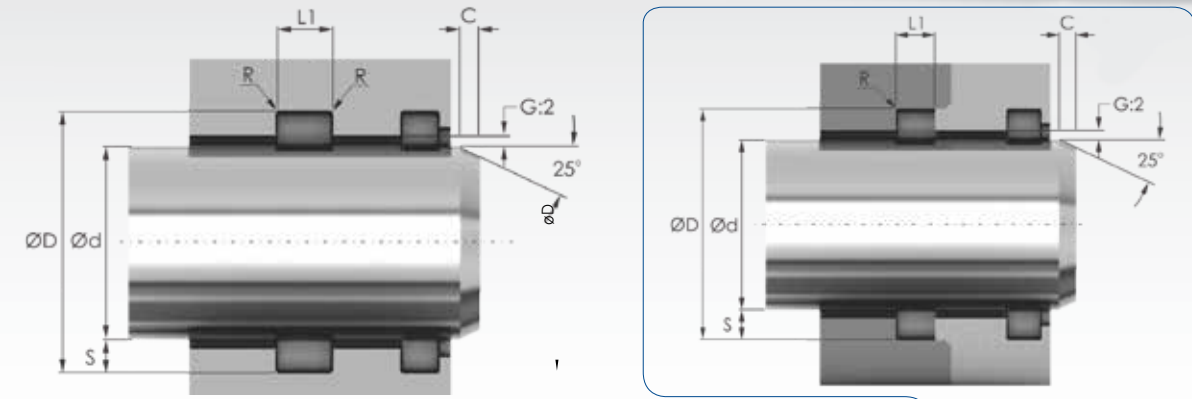
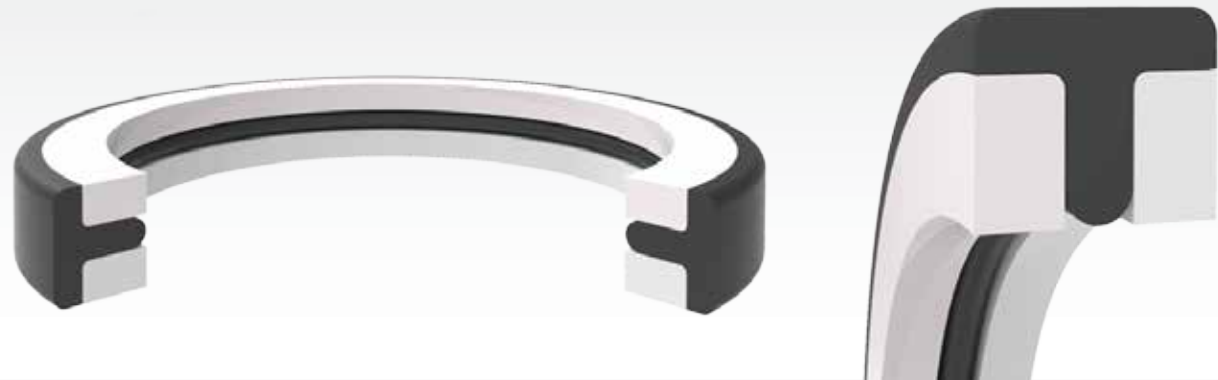
- Nitrile Rubber Seal.

APPLICATION

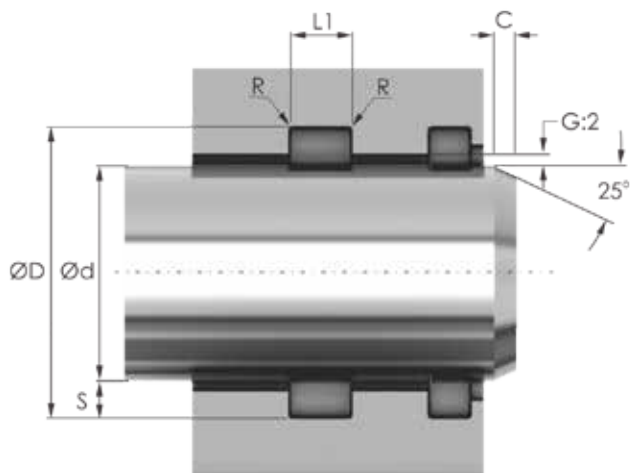
- Used in pneumatic and light duty hydraulic applications.

FLUIDS

- Hydraulic fluids & petroleum fuels & oils.



TECHNICAL SPECIFICATIONS



SPECIFIED TOLERANCES			
ØD	Ød	L1	
Js11	h9	+0.2 (+ 0.008)	+0.4 (+ 0.016)

MAXIMUM OPERATING CONDITIONS		
Temp °C	Pressure	Speed
-35° to +105° C	400 bar (6000 psi)	1.0 m/sec (3.0 ft/sec)

SURFACE FINISH	
DYNAMIC SEALING SURFACE	0.1 to 0.4 µm Ra
STATIC SEALING SURFACE	0.8 to 1.6 µm Ra
STATIC HOUSING FACE	1.4 to 3.2 µm Ra

MAXIMUM EXTRUSION GAP v PRESSURE			
G mm	Bar	G inches	p.s.i
1	100	0.04	1500
0.9	160	0.036	2400
0.8	250	0.032	3750
0.6	400	0.024	6000

RADII AND CHAMFER						
S mm	4.00	5.00	7.50	10.00	12.50	15.00
R mm	0.20	0.40	0.80	0.80	1.20	1.60
C mm	3.20	4.00	6.00	8.00	10.00	12.00
S inches	0.125	0.187	0.250	0.312	0.375	0.500
R inches	0.008	0.016	0.032	0.032	0.048	0.062
C inches	0.100	0.150	0.200	0.250	0.300	0.400

DESIGN

- Single or Double acting Rod Seal.
- Suitable for applications where pressure spikes may occur.
- Acetal backuprings help protect against extrusion when pressure is held constant for an extended period.

MATERIAL

- Nitrile main seal element.
- Acetal backup rings.

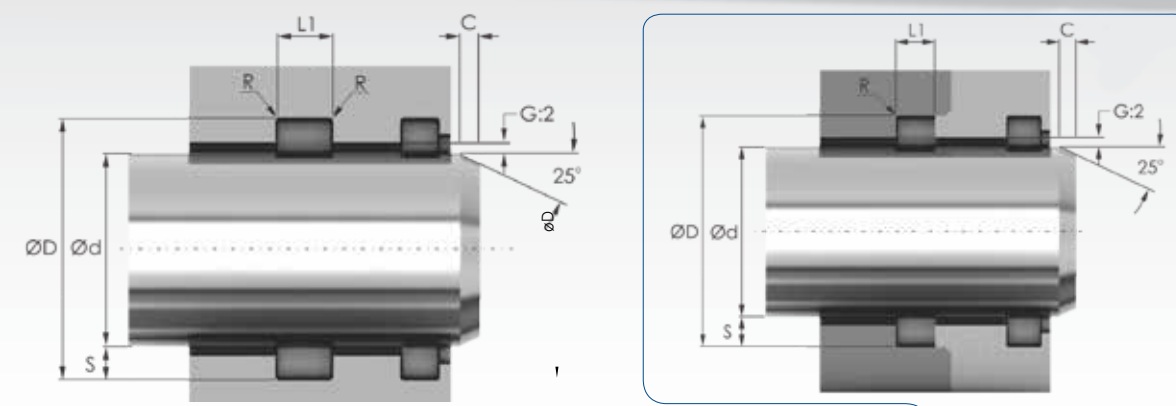
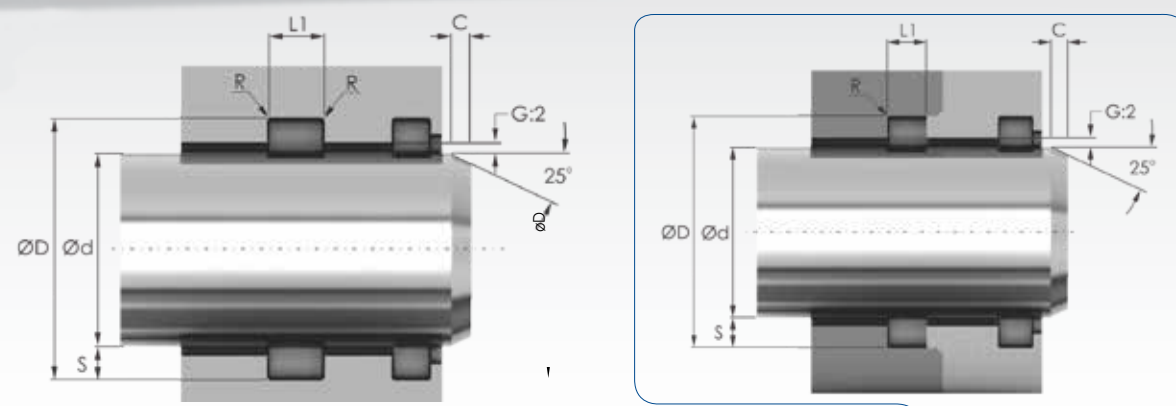
APPLICATION

- Heavy duty applications.

FLUIDS

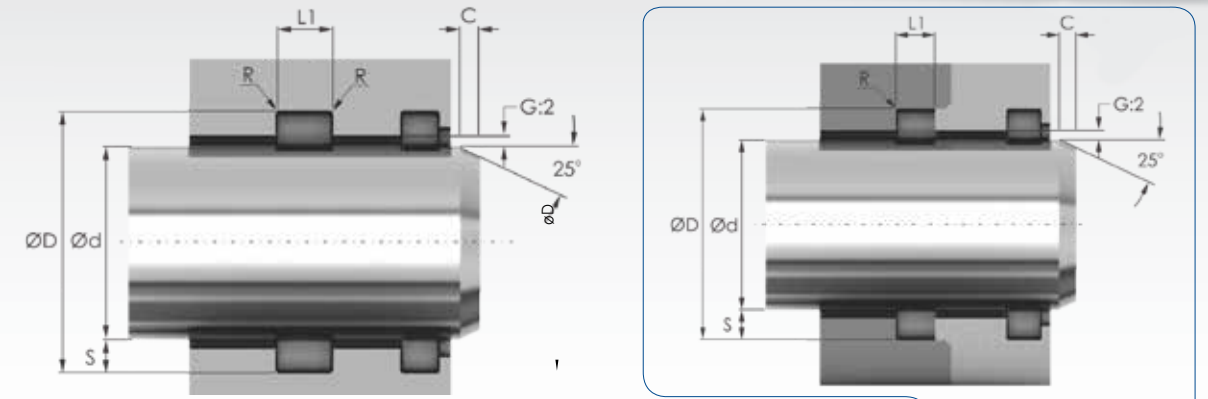
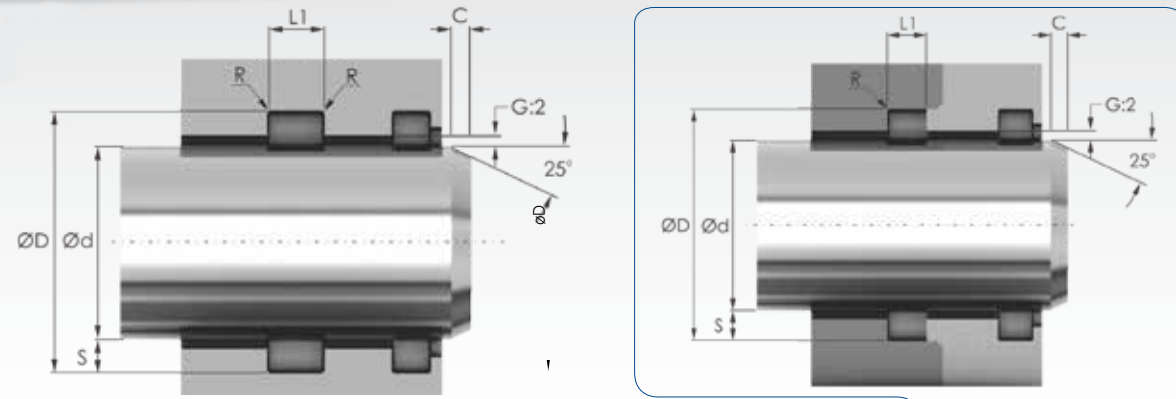
- Hydraulic fluids & petroleum fuels & oils

PART N°	PROFILE	HOUSING DIMENSIONS				REFERENCE N°	ALTERNATIVE REFERENCE N°
		Ød	ØD	SH	L1		
GUPM003010-060	GUP	3.00	10.00	6.00	7.00		
GUPM004010-060	GUP	4.00	10.00	6.00	7.00		
GUPM005012-060	GUP	5.00	12.00	6.00	6.50	RF005A	
GUPM006012-060	GUP	6.00	12.00	6.00	6.50		
GUPM006014-060	GUP	6.00	14.00	6.00	7.00		
GUPM006016-060	GUP	6.00	16.00	6.00	7.00		
GURM006017-060	GUR	6.00	17.00	6.00	7.50		
GUPM008014-060	GUP	8.00	14.00	6.00	7.00	RF010A	
GURM008015-060	GUR	8.00	15.00	6.00	7.50		
GUPM008016-060	GUP	8.00	16.00	6.00	7.00		
GURM008016-060	GUR	8.00	16.00	6.00	7.50		
GUPM008020-060	GUP	8.00	20.00	6.00	6.60		
GURM008020-060	GUR	8.00	20.00	6.00	6.60		
GURM008025-060	GUR	8.00	25.00	6.00	7.50		
GUPM009017-060	GUP	9.00	17.00	6.00	7.00		
GUPM009019-060	GUP	9.00	19.00	6.00	6.60		
GUPM010016-060	GUP	10.00	16.00	6.00	7.00	RF015A	
GUPM010018-060	GUP	10.00	18.00	6.00	7.00	RF017A	
GUPM010022-060	GUP	10.00	22.00	6.00	7.00		
GURM010022-060	GUR	10.00	22.00	6.00	7.50		
GUPM010025-075	GUP	10.00	25.00	7.50	8.30		
GUPM012018-060	GUP	12.00	18.00	6.00	7.00	RF023A	
GUPM012022-060	GUP	12.00	22.00	6.00	7.00		
GUPM012024-060	GUP	12.00	24.00	6.00	6.60		
GURM012024-060	GUR	12.00	24.00	6.00	7.50		
GUPM013020-060	GUP	13.00	20.00	6.00	7.00		
GUPM013021-060	GUP	13.00	21.00	6.00	6.60		
GUPM013025-060	GUP	13.00	25.00	6.00	6.60		
GUPM014020-060	GUP	14.00	20.00	6.00	7.00		
SRFM014022-065	SRF	14.00	22.00	6.00	6.50		
GUPM014022-060	GUP	14.00	22.00	6.00	7.00		
GUPM014024-060	GUP	14.00	24.00	6.00	7.00		
GUPM014026-060	GUP	14.00	26.00	6.00	6.60		
GUPM015023-060	GUP	15.00	23.00	6.00	6.60		
SRIM015023-060	SRI	15.00	23.00	6.00	7.00		
GURM015027-060	GUR	15.00	27.00	6.00	6.50		
GUPM015027-060	GUP	15.00	27.00	6.00	6.60		
GUPM015030-060	GUP	15.00	30.00	6.00	7.00		
GUPM015030-075	GUP	15.00	30.00	7.50	8.30		
GUPM016022-060	GUP	16.00	22.00	6.00	7.00		
GURM016022-060	GUR	16.00	22.00	6.00	7.00		
GUPM016024-060	GUP	16.00	24.00	6.00	7.00		
SRIM016024-060	SRI	16.00	24.00	6.00	7.00	RK101A	
R99M016024-060	R99	16.00	24.00	6.00	7.00	RF041A	
GUPM016025-075	GUP	16.00	25.00	7.50	8.50		



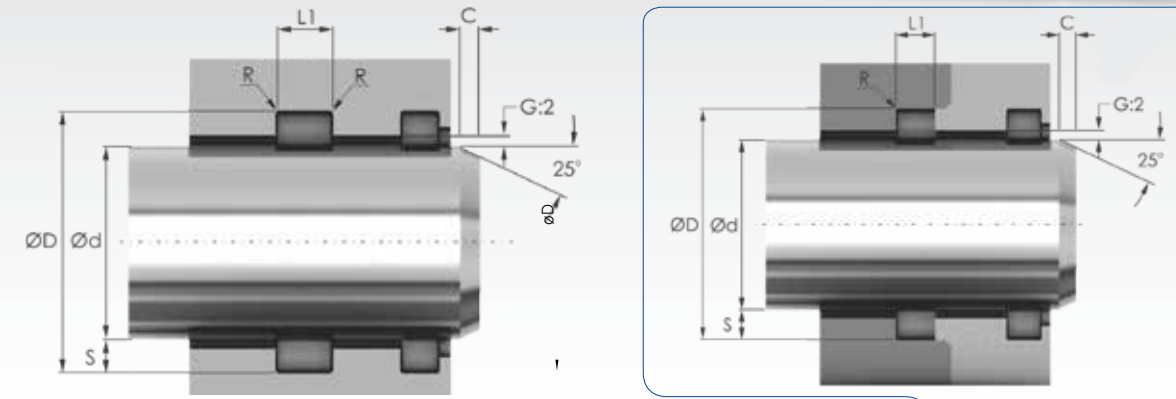
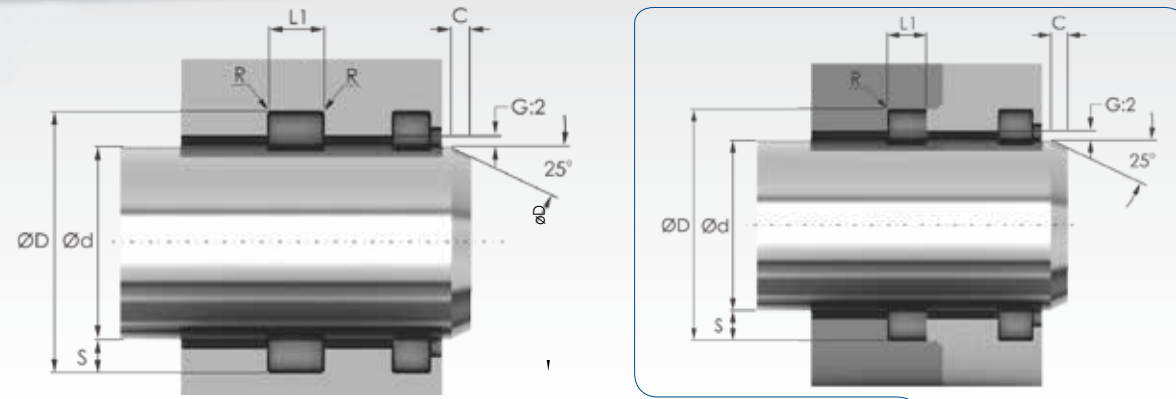
PART N°	PROFILE	HOUSING DIMENSIONS				REFERENCE N°	ALTERNATIVE REFERENCE N°
		Ød	ØD	SH	L1		
GUPM016026-060	GUP	16.00	26.00	6.00	7.00		
R97M016026-075	R97	16.00	26.00	7.50	8.00	RF043A	
GUPM016028-060	GUP	16.00	28.00	6.00	6.60		
GURM016028-060	GUR	16.00	28.00	6.00	6.60		
GUPM016029-060	GUP	16.00	29.00	6.00	7.00		
GUPM017027-075	GUP	17.00	27.00	7.50	8.50		
GUPM018026-060	GUP	18.00	26.00	6.00	6.60		
R97M018026-060	R97	18.00	26.00	6.00	7.00	RF2188	
GUPM018028-060	GUP	18.00	28.00	6.00	7.00		
GURM018028-060	GUR	18.00	28.00	6.00	7.50		
GUPM018030-060	GUP	18.00	30.00	6.00	6.60		
GURM018030-060	GUR	18.00	30.00	6.00	6.60		
GUPM018030-075	GUP	18.00	30.00	7.50	8.50		
GUPM019025-060	GUP	19.00	25.00	6.00	6.60		
SRIM020027-060	SRI	20.00	27.00	6.00	6.40	RK104A	
R97M020027-060	R97	20.00	27.00	6.00	6.70	RF2190	
GUPM020027-060	GUP	20.00	27.00	6.00	7.00		
GUPM020028-060	GUP	20.00	28.00	6.00	6.60		
R99M020028-060	R99	20.00	28.00	6.00	7.00	RF054A	
GUPM020030-060	GUP	20.00	30.00	6.00	7.00		
R97M020030-060	R97	20.00	30.00	6.00	7.00	RF2193	
GURM020032-060	GUR	20.00	32.00	6.00	6.60		
GUPM020032-060	GUP	20.00	32.00	6.00	7.00		
GUPM020032-075	GUP	20.00	32.00	7.50	8.50	RF061A	
GUPM020035-075	GUP	20.00	35.00	7.50	8.30		
GURM020035-075	GUR	20.00	35.00	7.50	8.30		
GURM021033-060	GUR	21.00	33.00	6.00	6.60		
SRFM022030-060	SRF	22.00	30.00	6.00	6.50	RF2481	
GUPM022030-060	GUP	22.00	30.00	6.00	7.00	RF067A	
SRFM022032-060	SRF	22.00	32.00	6.00	6.50	RF2484	
GUPM022032-060	GUP	22.00	32.00	6.00	7.00		
GURM022032-060	GUR	22.00	32.00	6.00	7.00		
GUPM022034-060	GUP	22.00	34.00	6.00	6.60		
GURM022034-060	GUR	22.00	34.00	6.00	6.60		
GUPM023035-060	GUP	23.00	35.00	6.00	6.60		
GURM023035-060	GUR	23.00	35.00	6.00	6.60		
GUPM024032-060	GUP	24.00	32.00	6.00	6.60		
GURM024035-060	GUR	24.00	35.00	6.00	6.60		
GUPM024036-060	GUP	24.00	36.00	6.00	6.60		
GURM024036-060	GUR	24.00	36.00	6.00	6.60		
GUPM025033-060	GUP	25.00	33.00	6.00	6.60		
R99M025033-060	R99	25.00	33.00	6.00	7.00	RF2418	
GUPM025035-060	GUP	25.00	35.00	6.00	7.00		
SRIM025035-075	SRI	25.00	35.00	7.50	8.00	RK109A	
GUPM025035-075	GUP	25.00	35.00	7.50	8.50		

PART N°	PROFILE	HOUSING DIMENSIONS				REFERENCE N°	ALTERNATIVE REFERENCE N°
		Ød	ØD	SH	L1		
GURM025037-060	GUR	25.00	37.00	6.00	6.60		
GURM025040-060	GUR	25.00	40.00	6.00	6.60		
GUPM025040-075	GUP	25.00	40.00	7.50	8.30		
GURM025040-075	GUR	25.00	40.00	7.50	8.30		
GUPM026038-060	GUP	26.00	38.00	6.00	6.60		
GURM026038-060	GUR	26.00	38.00	6.00	6.60		
GUPM027035-060	GUP	27.00	35.00	6.00	7.00		
GUPM027038-060	GUP	27.00	38.00	6.00	7.00		
GUPM028035-060	GUP	28.00	35.00	6.00	7.00		
GUPM028036-060	GUP	28.00	36.00	6.00	7.00		
R99M028036-060	R99	28.00	36.00	6.00	7.00	RF2422	
SRIM028038-075	SRI	28.00	38.00	7.50	8.00	RK112A	
GUPM028040-060	GUP	28.00	40.00	6.00	6.60		
GURM028040-060	GUR	28.00	40.00	6.00	6.60		
GUPM030037-060	GUP	30.00	37.00	6.00	7.00	RF987A	
SRIM030038-060	SRI	30.00	38.00	6.00	6.40	RK114A	
GUPM030038-060	GUP	30.00	38.00	6.00	6.50	RF092A	
R99M030038-060	R99	30.00	38.00	6.00	7.00	R86761	
GURM030040-060H	GUR	30.00	40.00	6.00	7.00		
R97M030040-060	R97	30.00	40.00	6.00	7.00		
GUPM030040-060	GUP	30.00	40.00	6.00	7.00	RF094A	UHS 30
GUPM030040-075	GUP	30.00	40.00	7.50	8.50		
GUPM030042-060	GUP	30.00	42.00	6.00	6.60		
GUPM030045-075	GUP	30.00	45.00	7.50	8.30		
GURM031041-060H	GUR	31.50	41.50	6.00	7.00		
GUPM031041-060	GUP	31.50	41.50	6.00	7.00	RF101A	UHS 31.5
GUPM032040-060	GUP	32.00	40.00	6.00	6.60		
R99M032040-060	R99	32.00	40.00	6.00	7.00	RF2425	
R97M032040-060	R97	32.00	40.00	6.00	7.00	RF2207	
R97M032042-060	R97	32.00	42.00	6.00	7.00	RF2211	
GUPM032042-060	GUP	32.00	42.00	6.00	7.00	R85933	
SRIM032042-075	SRI	32.00	42.00	7.50	8.00	RK2901	
GUPM032044-060	GUP	32.00	44.00	6.00	6.60		
GURM032044-060	GUR	32.00	44.00	6.00	6.60		
GUPM033045-060	GUP	33.00	45.00	6.00	6.60		
GURM033045-060	GUR	33.00	45.00	6.00	6.60		
GUPM034042-060	GUP	34.00	42.00	6.00	6.60		
SRIM035043-060	SRI	35.00	43.00	6.00	6.40	RK121A	
GUPM035043-060	GUP	35.00	43.00	6.00	6.60		
R99M035043-060	R99	35.00	43.00	6.00	7.00	RF111A	
GURM035045-060	GUR	35.00	45.00	6.00	6.60		
R97M035045-060	R97	35.00	45.00	6.00	7.00		
GUPM035045-060	GUP	35.00	45.00	6.00	7.00	RF112A	UHS 35
GUPM035047-060	GUP	35.00	47.00	6.00	6.60		
GUPM035050-075	GUP	35.00	50.00	7.50	8.30		



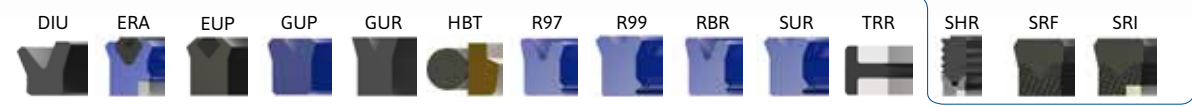
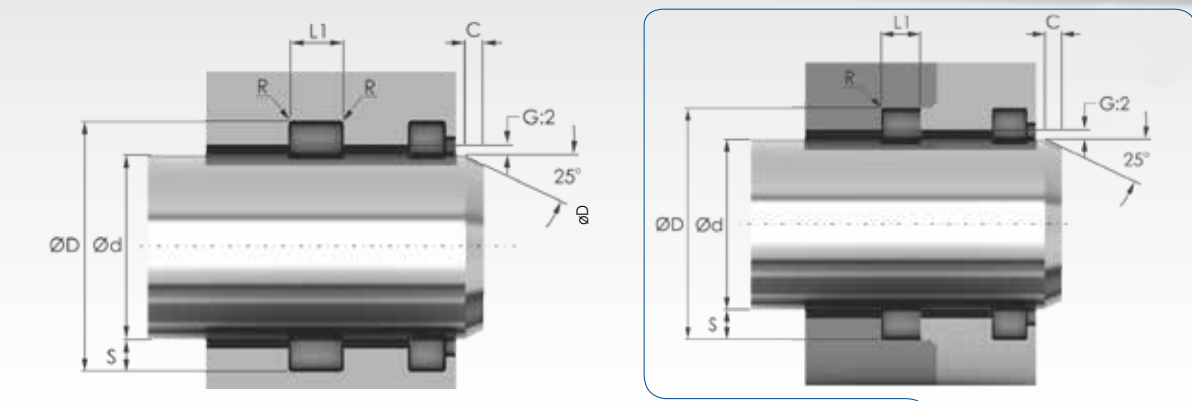
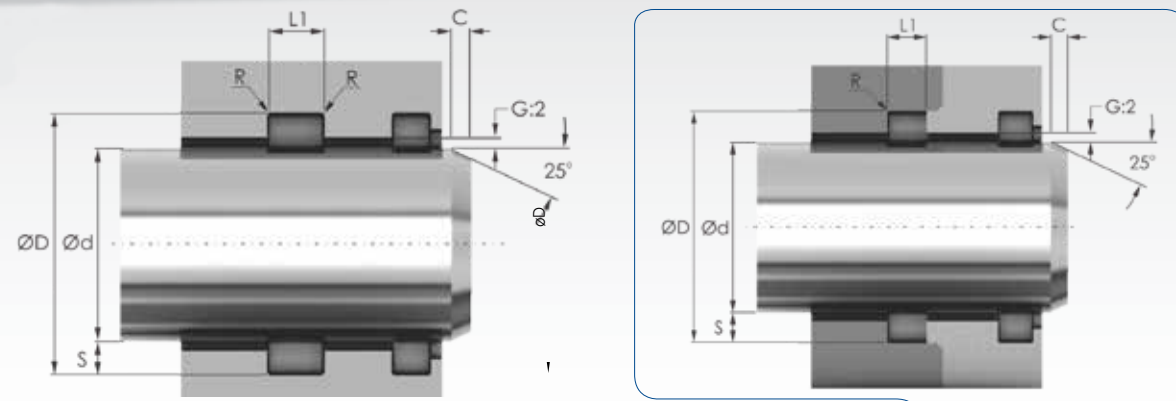
PART N°	PROFILE	HOUSING DIMENSIONS				REFERENCE N°	ALTERNATIVE REFERENCE N°
		Ød	ØD	SH	L1		
GUPM035045-060/1	GUP	35.50	45.00	6.00	7.00	RF121A	UHS 35.5
SRIM036043-060	SRI	36.00	43.00	6.00	6.40	RK125A	
GUPM036046-060	GUP	36.00	46.00	6.00	7.00		
GURM036046-060H	GUR	36.00	46.00	6.00	7.00		
SRIM036046-075	SRI	36.00	46.00	7.50	8.00	RK126A	
GUPM036048-060	GUP	36.00	48.00	6.00	6.60		
GUPM037045-060	GUP	37.00	45.00	6.00	6.60		
GUPM038045-060	GUP	38.00	45.00	6.00	7.00		
GUPM038045-075	GUP	38.00	45.00	7.50	8.50		
GUPM038046-060	GUP	38.00	46.00	6.00	6.60		
GUPM038048-060	GUP	38.00	48.00	6.00	7.00	RF124A	UHS 38
GUPM038050-060	GUP	38.00	50.00	6.00	6.60		
GURM038050-060	GUR	38.00	50.00	6.00	6.60		
SRIM040048-060	SRI	40.00	48.00	6.00	6.40	RK128A	
GUPM040048-060	GUP	40.00	48.00	6.00	6.60		
GURM040050-060	GUR	40.00	50.00	6.00	7.00		
GURM040050-060S	GUR	40.00	50.00	6.00	7.00		
R97M040050-060	R97	40.00	50.00	6.00	7.00		
GUPM040050-060	GUP	40.00	50.00	6.00	7.00	RF129A	UHS 40
SRIM040050-075	SRI	40.00	50.00	7.50	8.00	RK129A	
GURM040052-060	GUR	40.00	52.00	6.00	6.60		
GUPM040052-060	GUP	40.00	52.00	6.00	7.00		
SRIM040055-075	SRI	40.00	55.00	7.50	8.00	RK131A	
GUPM040055-075	GUP	40.00	55.00	7.50	8.30		
GURM040055-075	GUR	40.00	55.00	7.50	8.30		
RBRM040055-060	RBR	40.00	55.50	6.00	6.30	RBG040	
HBTM040055-060	HBT	40.00	55.50	6.00	6.30	RBF040	
GUPM042050-060	GUP	42.00	50.00	6.00	6.60		
GUPM042054-060	GUP	42.00	54.00	6.00	6.60		
GUPM043053-075	GUP	43.00	53.00	7.50	8.50		
GUPM043055-060	GUP	43.00	55.00	6.00	6.60		
GURM043055-060	GUR	43.00	55.00	6.00	6.60		
GUPM044052-060	GUP	44.00	52.00	6.00	6.60		
GUPM044056-060	GUP	44.00	56.00	6.00	6.60		
GUPM045053-060	GUP	45.00	53.00	6.00	6.60		
R99M045053-060	R99	45.00	53.00	6.00	7.00	RF2433	
GURM045055-060	GUR	45.00	55.00	6.00	7.00		
R97M045055-060	R97	45.00	55.00	6.00	7.00	RF2231	
GUPM045055-060	GUP	45.00	55.00	6.00	7.00	RF140A	UHS 45A
SRIM045055-075	SRI	45.00	55.00	7.50	8.00	RK135A	
GUPM045057-060	GUP	45.00	57.00	6.00	6.60		
GURM045060-075	GUR	45.00	60.00	7.50	8.30		
RBRM045060-060	RBR	45.00	60.50	6.00	6.30	RBG045	
HBTM045060-060	HBT	45.00	60.50	6.00	6.30	RBF045	
GUPM046056-060	GUP	46.00	56.00	6.00	7.00	RF2119	

PART N°	PROFILE	HOUSING DIMENSIONS				REFERENCE N°	ALTERNATIVE REFERENCE N°
		Ød	ØD	SH	L1		
GURM046058-060	GUR	46.00	58.00	6.00	6.60		
GUPM046058-060	GUP	46.00	58.00	6.00	7.00		
GURM048060-060	GUR	48.00	60.00	6.00	6.60		
GUPM048060-060	GUP	48.00	60.00	6.00	7.00		
GURM050060-060	GUR	50.00	60.00	6.00	7.00		
R97M050060-060	R97	50.00	60.00	6.00	7.00	RF2236	
GUPM050060-060	GUP	50.00	60.00	6.00	7.00	RF154A	UHS 50
SRIM050060-075	SRI	50.00	60.00	7.50	8.00	RK139A	
GUPM050060-075	GUP	50.00	60.00	7.50	8.50		
GURM050062-060	GUR	50.00	62.00	6.00	6.60		
GUPM050062-060	GUP	50.00	62.00	6.00	7.00		
GUPM050063-060	GUP	50.00	63.00	6.00	7.00	RF161A	
GUPM050065-075	GUP	50.00	65.00	7.50	8.30		
GURM050065-075	GUR	50.00	65.00	7.50	8.30		
HBTM050065-060A	HBT	50.00	65.10	6.00	6.30		
RBRM050065-060	RBR	50.00	65.50	6.00	6.30	RBG050	
HBTM050065-060	HBT	50.00	65.50	6.00	6.30	RBF050	
GURM051063-060	GUR	51.00	63.00	6.00	6.60		
GUPM052060-060	GUP	52.00	60.00	6.00	6.60		
GUPM052062-060	GUP	52.00	62.00	6.00	7.00		
GUPM052064-060	GUP	52.00	64.00	6.00	6.60		
GUPM053063-060	GUP	53.00	63.00	6.00	7.00	RF165A	UHS 53
GUPM053063-075	GUP	53.00	63.00	7.50	8.50		
GURM053065-060	GUR	53.00	65.00	6.00	6.60		
GURM055065-060H	GUR	55.00	65.00	6.00	7.00		
GUPM055065-060	GUP	55.00	65.00	6.00	7.00	RF168A	UHS 55
SRIM055065-075	SRI	55.00	65.00	7.50	8.00	RK143A	
GUPM055065-075	GUP	55.00	65.00	7.50	8.50		
GUPM055070-075	GUP	55.00	70.00	7.50	8.30		
RBRM055070-060	RBR	55.00	70.50	6.00	6.30	RBG055	
HBTM055070-060	HBT	55.00	70.50	6.00	6.30	RBF055	
GUPM056066-060	GUP	56.00	66.00	6.00	7.00	RF173A	UHS 56
GUPM056066-075	GUP	56.00	66.00	7.50	8.50		
RBRM056071-060	RBR	56.00	71.50	6.00	6.30	RBG056	
HBTM056071-060	HBT	56.00	71.50	6.00	6.30	RBF056	
GUPM058068-060	GUP	58.00	68.00	6.00	7.00	RF175A	UHS 58
GUPM058070-060	GUP	58.00	70.00	6.00	7.00		
GURM060070-060	GUR	60.00	70.00	6.00	7.00		
GURM060070-060H	GUR	60.00	70.00	6.00	7.00		
SURM060070-060	SUR	60.00	70.00	6.00	7.00		
R97M060070-060	R97	60.00	70.00	6.00	7.00	RF2253	
GUPM060070-060	GUP	60.00	70.00	6.00	7.00	RF176A	UHS 60A
SRIM060070-075	SRI	60.00	70.00	7.50	8.00	RK148A	
GUPM060075-075	GUP	60.00	75.00	7.50	8.30		
GURM060075-075	GUR	60.00	75.00	7.50	8.30		



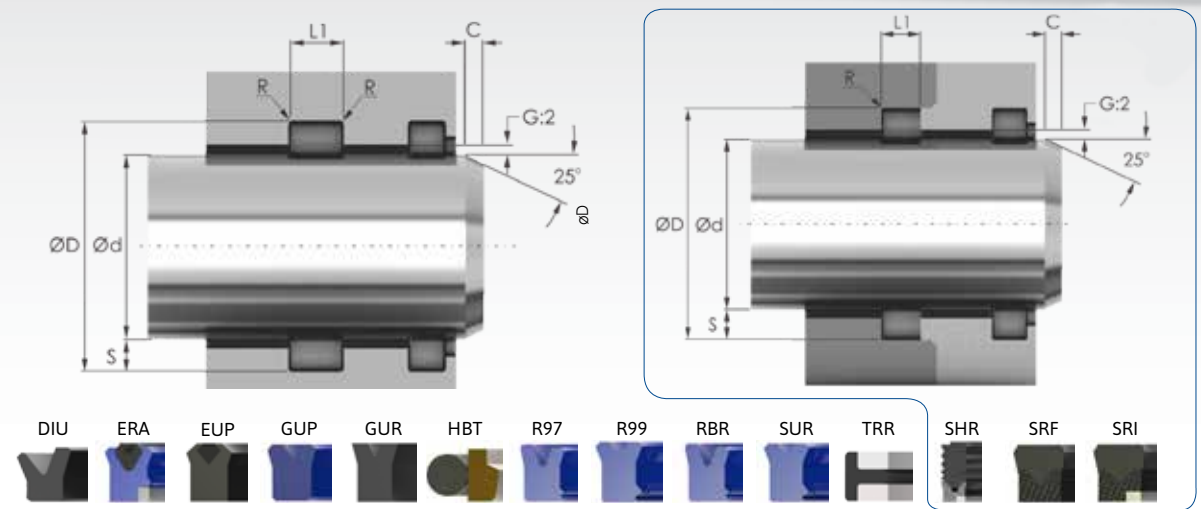
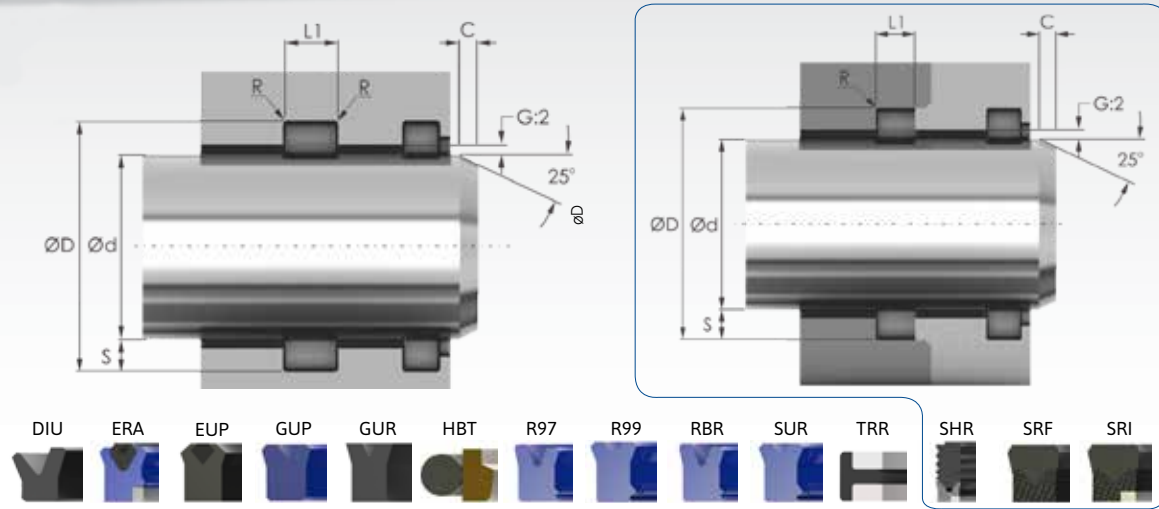
PART N°	PROFILE	HOUSING DIMENSIONS				REFERENCE N°	ALTERNATIVE REFERENCE N°
		Ød	ØD	SH	L1		
RBRM060075-060	RBR	60.00	75.50	6.00	6.30	RBG060	
HBTM060075-060	HBT	60.00	75.50	6.00	6.30	RBF060	
GUPM061071-060	GUP	61.00	71.00	6.00	7.00		
GUPM063072-060	GUP	63.00	72.00	6.00	7.00		
GUPM063073-060	GUP	63.00	73.00	6.00	7.00	RF186A	UHS 63
R97M063073-060	R97	63.00	73.00	6.00	7.00	RF1020	
GUPM063073-075	GUP	63.00	73.00	7.50	8.50		
RBRM063078-060	RBR	63.00	78.50	6.00	6.30	RBG063	
HBTM063078-060	HBT	63.00	78.50	6.00	6.30	RBF063	
GURM065075-060	GUR	65.00	75.00	6.00	7.00		
GURM065075-060H	GUR	65.00	75.00	6.00	7.00		
GUPM065075-060	GUP	65.00	75.00	6.00	7.00	RF189A	UHS 65
R97M065075-060	R97	65.00	75.00	6.00	7.00	RF1021	
GUPM065080-075	GUP	65.00	80.00	7.50	8.30		
GURM065080-075	GUR	65.00	80.00	7.50	8.30		
RBRM065080-060	RBR	65.00	80.50	6.00	6.30	RBG065	
HBTM065080-060	HBT	65.00	80.50	6.00	6.30	RBF065	
GUPM066077-060	GUP	66.00	77.00	6.00	7.00		
GURM067077-060H	GUR	67.00	77.00	6.00	7.00		
GUPM067077-060	GUP	67.00	77.00	6.00	7.00	RF196A	UHS 67
GURM070080-060	GUR	70.00	80.00	6.00	6.60		
GURM070080-060H	GUR	70.00	80.00	6.00	7.00		
GUPM070080-060	GUP	70.00	80.00	6.00	7.00	RF198A	UHS 70
R97M070080-060	R97	70.00	80.00	6.00	7.00	RF1023	
SRIM070080-075	SRI	70.00	80.00	7.50	8.00	RK2020	
GUPM070085-075	GUP	70.00	85.00	7.50	8.30		
GURM070085-075	GUR	70.00	85.00	7.50	8.30		
RBRM070085-060	RBR	70.00	85.50	6.00	6.30	RBG070	
HBTM070085-060	HBT	70.00	85.50	6.00	6.30	RBF070	
GURM070090-075	GUR	70.00	90.00	7.50	8.30		
GURM071080-060	GUR	71.00	80.00	6.00	7.00		
GUPM071080-060	GUP	71.00	80.00	6.00	7.00	RF205A	UHS 71
GURM075085-060H	GUR	75.00	85.00	6.00	7.00		
GUPM075085-060	GUP	75.00	85.00	6.00	7.00	RF207A	UHS 75
R97M075085-060	R97	75.00	85.00	6.00	7.00	RF1024	
SRIM075085-075	SRI	75.00	85.00	7.50	8.00	RK158A	
GURM075090-075	GUR	75.00	90.00	7.50	8.30		
GUPM075090-075	GUP	75.00	90.00	7.50	8.50	RF210A	
RBRM075090-060	RBR	75.00	90.50	6.00	6.30	RBG075	
HBTM075090-060	HBT	75.00	90.50	6.00	6.30	RBF075	
GURM080090-060	GUR	80.00	90.00	6.00	7.00		
GURM080090-060H	GUR	80.00	90.00	6.00	7.00		
GUPM080090-060	GUP	80.00	90.00	6.00	7.00	RF213A	UHS 80
GURM080095-075	GUR	80.00	95.00	7.50	8.30		
GUPM080095-077	GUP	80.00	95.00	7.50	8.70	RF2131	

PART N°	PROFILE	HOUSING DIMENSIONS				REFERENCE N°	ALTERNATIVE REFERENCE N°
		Ød	ØD	SH	L1		
RBRM080095-060	RBR	80.00	95.50	6.00	6.30	RBG080	
HBTM080095-060	HBT	80.00	95.50	6.00	6.30	RBF080	
GURM085100-075	GUR	85.00	100.00	7.50	8.30		
RBRM085100-060	RBR	85.00	100.50	6.00	6.30	RBG085	
HBTM085100-060	HBT	85.00	100.50	6.00	6.30	RBF085	
GUPM090105-075	GUP	90.00	105.00	7.50	8.30		
GURM090105-075	GUR	90.00	105.00	7.50	8.30		
RBRM090105-060	RBR	90.00	105.50	6.00	6.30	RBG090	
HBTM090105-060	HBT	90.00	105.50	6.00	6.30	RBF090	
GURM095110-075	GUR	95.00	110.00	7.50	8.30		
RBRM095110-060	RBR	95.00	110.50	6.00	6.30	RBG095	
HBTM095110-060	HBT	95.00	110.50	6.00	6.30	RBF095	
GUPM100110-075	GUP	100.00	110.00	7.50	8.50		
GUPM100115-075	GUP	100.00	115.00	7.50	8.30		
HBTM100115-060A	HBT	100.00	115.10	6.00	6.30		
RBRM100115-060	RBR	100.00	115.50	6.00	6.30	RBG100	
HBTM100115-060	HBT	100.00	115.50	6.00	6.30	RBF100	
GURM105120-075	GUR	105.00	120.00	7.50	8.30		
RBRM105120-060	RBR	105.00	120.50	6.00	6.30		
HBTM105120-060	HBT	105.00	120.50	6.00	6.30	RBF105	
GUPM110125-075	GUP	110.00	125.00	7.50	8.30		
GURM110125-075	GUR	110.00	125.00	7.50	8.30		
RBRM110125-060	RBR	110.00	125.50	6.00	6.30	RBG110	
HBTM110125-060	HBT	110.00	125.50	6.00	6.30	RBF110	
GURM115130-075	GUR	115.00	130.00	7.50	8.30		
RBRM115130-060	RBR	115.00	130.50	6.00	6.30		
HBTM115130-060	HBT	115.00	130.50	6.00	6.30	RBF115	
RBRM120135-060	RBR	120.00	135.50	6.00	6.30	RBG120	
HBTM120135-060	HBT	120.00	135.50	6.00	6.30	RBF120	
GURM125140-075	GUR	125.00	140.00	7.50	8.50		
RBRM125140-060	RBR	125.00	140.50	6.00	6.30	RBG125	
HBTM125140-060	HBT	125.00	140.50	6.00	6.30	RBF125	
GUPM130140-075	GUP	130.00	140.00	7.50	8.50		
RBRM130145-060	RBR	130.00	145.50	6.00	6.30	RBG130	
HBTM130145-060	HBT	130.00	145.50	6.00	6.30	RBF130	
HBTM135150-060	HBT	135.00	150.50	6.00	6.30	RBF135	
RBRM140155-060	RBR	140.00	155.50	6.00	6.30	RBG140	
HBTM140155-060	HBT	140.00	155.50	6.00	6.30	RBF140	
RBRM145160-060	RBR	145.00	160.50	6.00	6.30		
HBTM145160-060	HBT	145.00	160.50	6.00	6.30	RBF145	
RBRM150165-060	RBR	150.00	165.50	6.00	6.30		
HBTM150165-060	HBT	150.00	165.50	6.00	6.30	RBF150	
RBRM160175-060	RBR	160.00	175.50	6.00	6.30	RBG160	
HBTM160175-060	HBT	160.00	175.50	6.00	6.30	RBF160	
HBTM165180-060	HBT	165.00	180.50	6.00	6.30	RBF165	



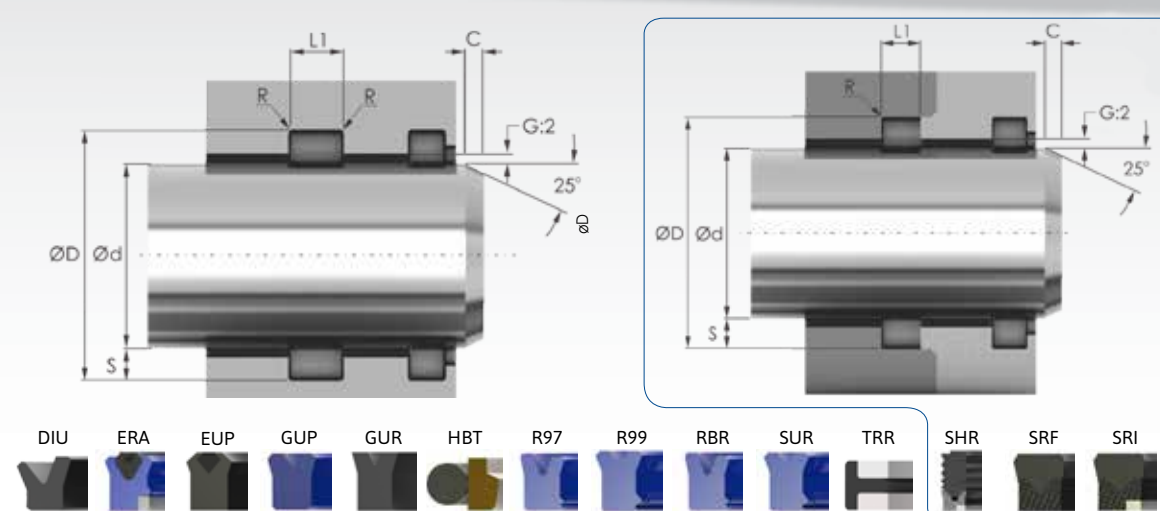
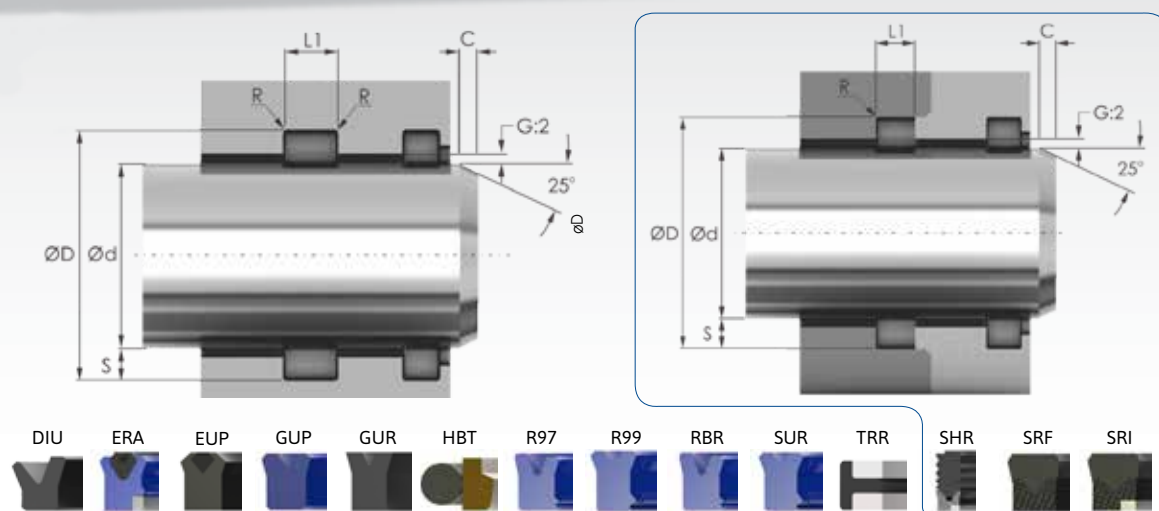
PART N°	PROFILE	HOUSING DIMENSIONS				REFERENCE N°	ALTERNATIVE REFERENCE N°
		Ød	ØD	SH	L1		
RBRM170185-060	RBR	170.00	185.50	6.00	6.30	RBG170	
HBTM170185-060	HBT	170.00	185.50	6.00	6.30	RBF170	
GUPM180190-075	GUP	180.00	190.00	7.50	8.50		
HBTM180195-060	HBT	180.00	195.50	6.00	6.30	RBF180	
RBRM180195-060	RBR	180.00	205.50	6.00	6.30		
RBRM190205-060	RBR	190.00	205.50	6.00	6.30	RBG190	
HBTM190205-060	HBT	190.00	205.50	6.00	6.30	RBF190	
HBTM200215-060	HBT	200.00	215.50	6.00	6.30		
RBRM210230-081	RBR	210.00	230.50	7.50	8.10		

PART N°	PROFILE	HOUSING DIMENSIONS				REFERENCE N°	ALTERNATIVE REFERENCE N°
		Ød	ØD	SH	L1		
SURI012031-094	SUR	0.125	0.312	0.094	0.125		
GURI012031-094	GUR	0.125	0.312	0.094	0.156		
DIUI012034-156	DIU	0.125	0.343	0.156	0.219	R88175	
EUPI012037-125A	EUP	0.125	0.375	0.125	0.138		
EUPI012037-125B	EUP	0.125	0.375	0.125	0.138	RMD002	
SURI012037-125	SUR	0.125	0.375	0.125	0.138	R30589	
EUPI012037-250B	EUP	0.125	0.375	0.250	0.275	RMD1015	
SURI012050-187	SUR	0.125	0.500	0.187	0.212	R00274	SU1
TRRI018037-150	TRR	0.187	0.370	0.150	0.150		
GURI018037-094	GUR	0.187	0.375	0.094	0.156		
EUPI018043-125A	EUP	0.187	0.437	0.125	0.138	RMD005A	
EUPI018043-125B	EUP	0.187	0.437	0.125	0.138	RMD005	
SURI018043-125	SUR	0.187	0.437	0.125	0.138	R30590	
DIUI018043-156	DIU	0.187	0.437	0.156	0.219	RF5264	
EUPI018043-250B	EUP	0.187	0.437	0.250	0.275	RMD1016	
EUPI018056-187A	EUP	0.187	0.562	0.187	0.212	RMD1046A	
EUPI018056-187B	EUP	0.187	0.562	0.187	0.212	RMD1046	
SURI018056-187	SUR	0.187	0.562	0.187	0.212	R00275	SU2
EUPI018068-187B	EUP	0.187	0.687	0.187	0.212	RMD958	
TRRI025043-150	TRR	0.250	0.433	0.150	0.150		
GURI025043-094	GUR	0.250	0.437	0.094	0.156		
GURI025043-125	GUR	0.250	0.437	0.125	0.177		
EUPI025050-125A	EUP	0.250	0.500	0.125	0.138	RMD956A	
EUPI025050-125B	EUP	0.250	0.500	0.125	0.138	RMD956	
SURI025050-125	SUR	0.250	0.500	0.125	0.138	R08589	S3389
DIUI025050-156	DIU	0.250	0.500	0.156	0.219	R54703	
EUPI025050-250B	EUP	0.250	0.500	0.250	0.275	RMD007	
EUPI025050-375B	EUP	0.250	0.500	0.375	0.413	RMD1017	
EUPI025062-187A	EUP	0.250	0.625	0.187	0.212	RMD092A	
EUPI025062-187B	EUP	0.250	0.625	0.187	0.212	RMD092	
SURI025062-187	SUR	0.250	0.625	0.187	0.212	R00276	SU3
EUPI025062-312A	EUP	0.250	0.625	0.312	0.343		
EUPI025075-250A	EUP	0.250	0.750	0.250	0.275	RMD220A	
EUPI025075-250B	EUP	0.250	0.750	0.250	0.275	RMD220	
GUPI025075-250	GUP	0.250	0.750	0.250	0.275	RMD1120	
SURI025075-250	SUR	0.250	0.750	0.250	0.275	R00281	SU8
R97I025075-312	R97	0.250	0.750	0.312	0.343	RMD1121	
EUPI025075-375B	EUP	0.250	0.750	0.375	0.413	RMD1122	
TRRI031049-150	TRR	0.312	0.495	0.150	0.150		
SURI031050-094	SUR	0.312	0.500	0.094	0.125	RF5003	
GURI031050-187	GUR	0.312	0.500	0.187	0.250		
GURI031056-125	GUR	0.312	0.562	0.125	0.138		
EUPI031056-125A	EUP	0.312	0.562	0.125	0.138	RMD008A	
EUPI031056-125B	EUP	0.312	0.562	0.125	0.138	RMD008	
SURI031056-125	SUR	0.312	0.562	0.125	0.138	R51011	SU44



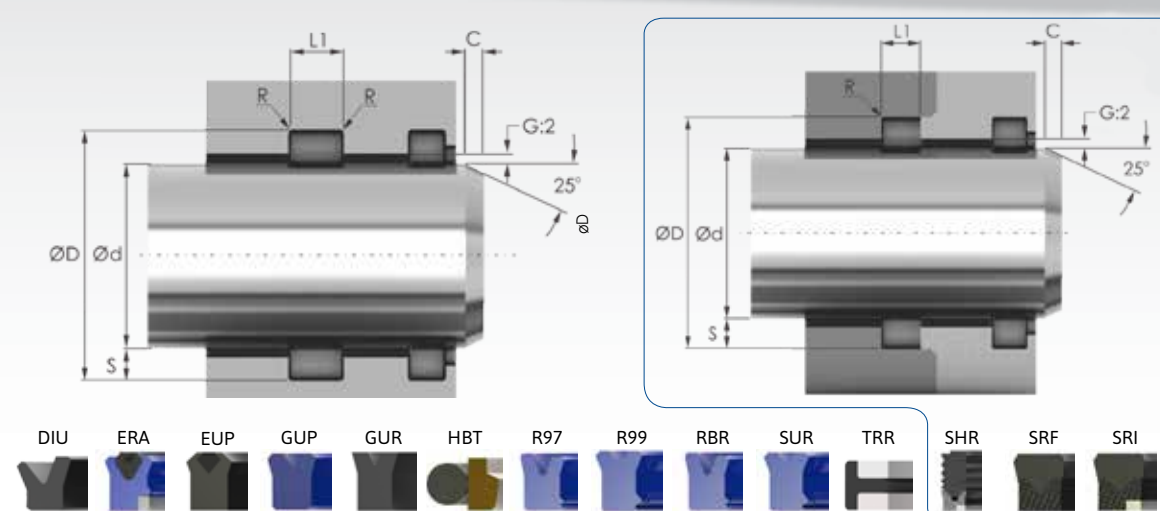
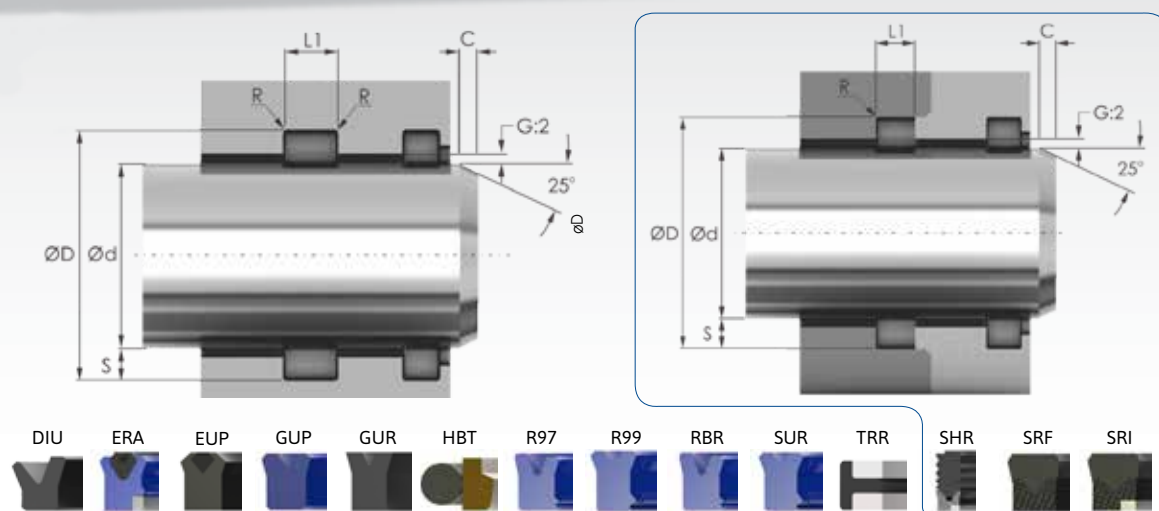
PART N°	PROFILE	HOUSING DIMENSIONS				REFERENCE N°	ALTERNATIVE REFERENCE N°
		Ød	ØD	SH	L1		
DIUI031056-156	DIU	0.312	0.562	0.156	0.219	R54138	
EUPI031056-250B	EUP	0.312	0.562	0.250	0.275	RMD957	
EUPI031062-142B	EUP	0.312	0.625	0.142	0.156	R00072	MU5
EUPI031062-232B	EUP	0.312	0.625	0.232	0.255	R00003	L5
EUPI031062-250B	EUP	0.312	0.625	0.250	0.275		
EUPI031068-187A	EUP	0.312	0.687	0.187	0.212	RMD093A	
EUPI031068-187B	EUP	0.312	0.687	0.187	0.212	RMD093	
SURI031068-187	SUR	0.312	0.687	0.187	0.212	R00277	SU4
GUPI031068-312	GUP	0.312	0.687	0.312	0.343	RMD1047	
EUPI031068-312B	EUP	0.312	0.687	0.312	0.343	RMD091	
GUPI031068-375	GUP	0.312	0.687	0.375	0.413	RMD1048	
EUPI031081-250A	EUP	0.312	0.812	0.250	0.275		
EUPI031081-250B	EUP	0.312	0.812	0.250	0.275	RMD221	
GUPI031081-250	GUP	0.312	0.812	0.250	0.275	RMD1123	
SURI031081-250	SUR	0.312	0.812	0.250	0.275	R00282	SU9
TRRI037061-185	TRR	0.375	0.618	0.185	0.185		
GURI037062-125	GUR	0.375	0.625	0.125	0.138		
EUPI037062-125A	EUP	0.375	0.625	0.125	0.138	RMD009A	
EUPI037062-125B	EUP	0.375	0.625	0.125	0.138	RMD009	
EUPI037062-187B	EUP	0.375	0.625	0.187	0.212	RMD1018	
DIUI037062-187	DIU	0.375	0.625	0.187	0.219		
EUPI037062-250B	EUP	0.375	0.625	0.250	0.275	RMD010	
GUPI037062-250	GUP	0.375	0.625	0.250	0.275	R30862	
EUPI037062-375B	EUP	0.375	0.625	0.375	0.413	RMD1019	
DIUI037065-156	DIU	0.375	0.650	0.156	0.219	R54584	
EUPI037075-170B	EUP	0.375	0.750	0.170	0.187	R00073	MU6
EUPI037075-187A	EUP	0.375	0.750	0.187	0.212	RMD096A	
EUPI037075-187B	EUP	0.375	0.750	0.187	0.212	RMD096	
SURI037075-187	SUR	0.375	0.750	0.187	0.212	R00278	SU5
EUPI037075-250B	EUP	0.375	0.750	0.250	0.275		
GUPI037075-250	GUP	0.375	0.750	0.250	0.275	RMD094	
EUPI037075-260B	EUP	0.375	0.750	0.260	0.286	R00004	L6
EUPI037075-312B	EUP	0.375	0.750	0.312	0.340	RMD095	
GUPI037075-312	GUP	0.375	0.750	0.312	0.343	RMD1049	
EUPI037087-250A	EUP	0.375	0.875	0.250	0.275	RMD222A	
EUPI037087-250B	EUP	0.375	0.875	0.250	0.275	RMD222	
GUPI037087-250	GUP	0.375	0.875	0.250	0.275	RMD1124	
SURI037087-250	SUR	0.375	0.875	0.250	0.275	R00283	SU10
GURI043068-125	GUR	0.437	0.687	0.125	0.138		
EUPI043068-125A	EUP	0.437	0.687	0.125	0.138	RMD011A	
EUPI043068-125B	EUP	0.437	0.687	0.125	0.138	RMD011	
SURI043068-125	SUR	0.437	0.687	0.125	0.138	R86750	
EUPI043068-250B	EUP	0.437	0.687	0.250	0.275	RMD012	
EUPI043075-156B	EUP	0.437	0.750	0.156	0.180	RMD950	
DIUI043075-156	DIU	0.437	0.750	0.156	0.219	RF5265	

PART N°	PROFILE	HOUSING DIMENSIONS				REFERENCE N°	ALTERNATIVE REFERENCE N°
		Ød	ØD	SH	L1		
EUPI043075-187B	EUP	0.437	0.750	0.187	0.212		
GURI043075-187	GUR	0.437	0.750	0.187	0.250		
EUPI043081-170B	EUP	0.437	0.812	0.170	0.187	R00074	MU7
EUPI043081-187A	EUP	0.437	0.812	0.187	0.212	RMD097A	
EUPI043081-187B	EUP	0.437	0.812	0.187	0.212	RMD097	
SURI043081-187	SUR	0.437	0.812	0.187	0.212	R00279	SU6
EUPI043081-260B	EUP	0.437	0.812	0.260	0.286	R00005	L7
EUPI043081-312B	EUP	0.437	0.812	0.312	0.343	RMD1050	
EUPI043093-250A	EUP	0.437	0.937	0.250	0.275	RMD223A	
EUPI043093-250B	EUP	0.437	0.937	0.250	0.275	RMD223	
SURI043093-250	SUR	0.437	0.937	0.250	0.275	R00284	SU11
EUPI043093-375B	EUP	0.437	0.937	0.375	0.413	RMD224	
EUPI043106-312A	EUP	0.437	1.062	0.312	0.343	RMD1219A	
EUPI043106-312B	EUP	0.437	1.062	0.312	0.343	RMD1219	
TRRI043068-185	TRR	0.438	0.680	0.185	0.185		
TRRI050074-185	TRR	0.500	0.743	0.185	0.185		
EUPI050075-125A	EUP	0.500	0.750	0.125	0.138	RMD013A	
EUPI050075-125B	EUP	0.500	0.750	0.125	0.138	RMD013	
GUPI050075-125	GUP	0.500	0.750	0.125	0.138	R30861	
SURI050075-125	SUR	0.500	0.750	0.125	0.138	R07643	S1023
R97I050075-187	R97	0.500	0.750	0.187	0.207	R30274	
GUPI050075-250	GUP	0.500	0.750	0.250	0.275	R30183	
EUPI050075-250B	EUP	0.500	0.750	0.250	0.275	R30041	
EUPI050081-156A	EUP	0.500	0.812	0.156	0.172	RMD1037A	
EUPI050081-156B	EUP	0.500	0.812	0.156	0.172	RMD1037	
GURI050081-219	GUR	0.500	0.812	0.219	0.281		
DIUI050082-200	DIU	0.500	0.828	0.200	0.281	R15900	
EUPI050087-170A	EUP	0.500	0.875	0.170	0.187	R00075A	
EUPI050087-170B	EUP	0.500	0.875	0.170	0.187	R00075	MU8
EUPI050087-187A	EUP	0.500	0.875	0.187	0.212		
GURI050087-187	GUR	0.500	0.875	0.187	0.212		
EUPI050087-187B	EUP	0.500	0.875	0.187	0.212	RMD099	
SURI050087-187	SUR	0.500	0.875	0.187	0.212	R00280	SU7
GUPI050087-197	GUP	0.500	0.875	0.197	0.218	R30184	
EUPI050087-250B	EUP	0.500	0.875	0.250	0.275	R30042	
EUPI050087-260B	EUP	0.500	0.875	0.260	0.286	R00006	L8
SRFI050087-281	SRF	0.500	0.875	0.281	0.300	R30463	
EUPI050087-281B	EUP	0.500	0.875	0.281	0.309		
EUPI050087-312B	EUP	0.500	0.875	0.312	0.343	R30043	
EUPI050100-250A	EUP	0.500	1.000	0.250	0.275	RMD225A	
EUPI050100-250B	EUP	0.500	1.000	0.250	0.275	RMD225	
GUPI050100-250	GUP	0.500	1.000	0.250	0.275	RMD1125	
SURI050100-250	SUR	0.500	1.000	0.250	0.275	R00285	SU12
EUPI050100-375B	EUP	0.500	1.000	0.375	0.413	RMD226	
EUPI050112-312A	EUP	0.500	1.125	0.312	0.340	RMD383A	



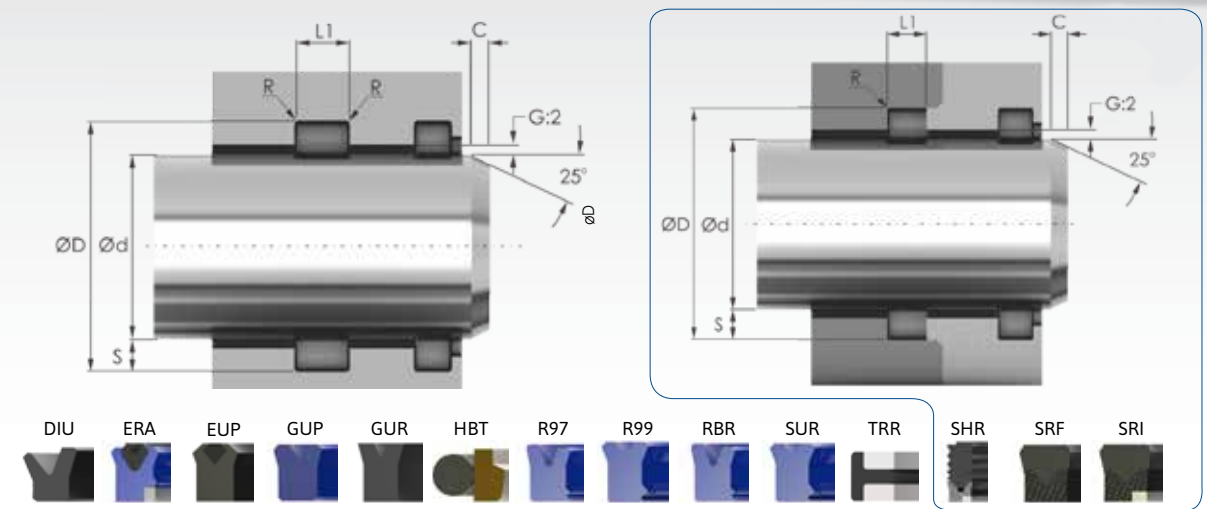
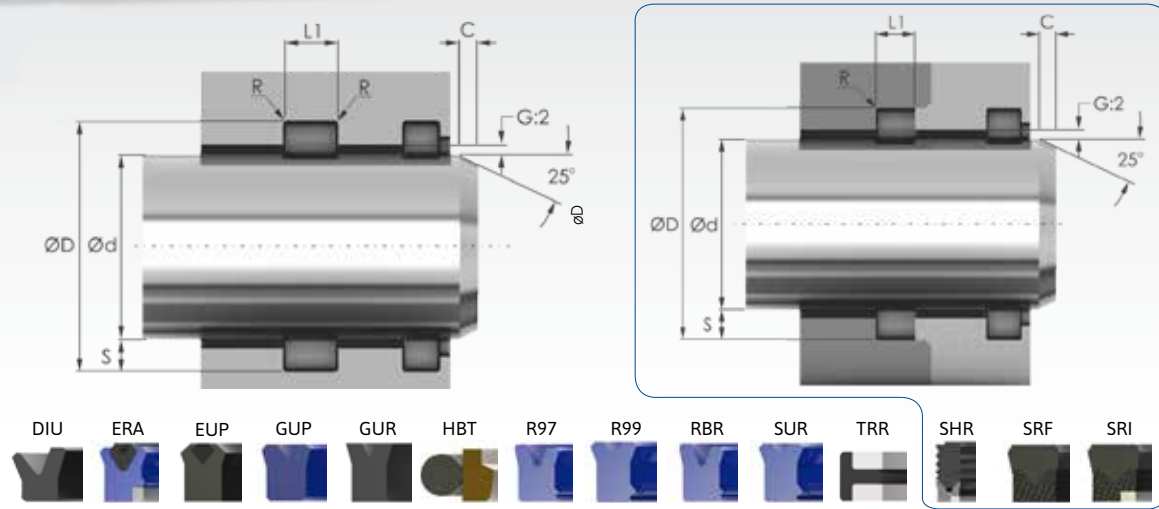
PART N°	PROFILE	HOUSING DIMENSIONS				REFERENCE N°	ALTERNATIVE REFERENCE N°
		Ød	ØD	SH	L1		
EUPI050112-312B	EUP	0.500	1.125	0.312	0.340	RMD383	
EUPI050125-375A	EUP	0.500	1.250	0.375	0.413	RMD1267A	
EUPI050125-375B	EUP	0.500	1.250	0.375	0.413	RMD1267	
EUPI053078-125A	EUP	0.531	0.781	0.125	0.138	RMD1020A	
EUPI053078-125B	EUP	0.531	0.781	0.125	0.138	RMD1020	
TRRI056080-185	TRR	0.562	0.805	0.185	0.185		
EUPI056081-125A	EUP	0.562	0.812	0.125	0.138	RMD015A	
EUPI056081-125B	EUP	0.562	0.812	0.125	0.138	RMD015	
DIUI056081-187	DIU	0.562	0.812	0.187	0.250	RQ0051	
EUPI056081-250B	EUP	0.562	0.812	0.250	0.275	RMD016	
EUPI056093-170A	EUP	0.562	0.937	0.170	0.187	R00076A	
EUPI056093-170B	EUP	0.562	0.937	0.170	0.187	R00076	MU9
EUPI056093-187B	EUP	0.562	0.937	0.187	0.212		
GURIO56093-187	GUR	0.562	0.937	0.187	0.250		
EUPI056093-312B	EUP	0.562	0.937	0.187	0.340	RMD100	
EUPI056106-250A	EUP	0.562	1.062	0.250	0.275	RMD960A	
EUPI056106-250B	EUP	0.562	1.062	0.250	0.275	RMD960	
SURIO56106-250	SUR	0.562	1.062	0.250	0.275	R00286	SU13
SRFIO56106-375	SRF	0.562	1.062	0.375	0.395		
EUPI056106-375B	EUP	0.562	1.062	0.375	0.413	RMD1126	
TRRI062086-185	TRR	0.625	0.868	0.185	0.185		
EUPI062087-125A	EUP	0.625	0.875	0.125	0.138	RMD018A	
EUPI062087-125B	EUP	0.625	0.875	0.125	0.138	RMD018	
SURIO62087-125	SUR	0.625	0.875	0.125	0.156	RF5008	
EUPI062087-156B	EUP	0.625	0.875	0.156	0.172	R09070	MU574
SRFIO62087-187	SRF	0.625	0.875	0.187	0.202	R30464	
R97IO62087-187	R97	0.625	0.875	0.187	0.205	R30276	
EUPI062087-187B	EUP	0.625	0.875	0.187	0.212	RMD017	
DIUI062087-187	DIU	0.625	0.875	0.187	0.250	RF5266	
R97IO62087-241	R97	0.625	0.875	0.241	0.265	R30277	
EUPI062087-250B	EUP	0.625	0.875	0.250	0.275	RMD019	
EUPI062093-156A	EUP	0.625	0.937	0.156	0.172	RMD1038A	
EUPI062093-156B	EUP	0.625	0.937	0.156	0.172	RMD1038	
EUPI062100-170B	EUP	0.625	1.000	0.170	0.187	R00077	MU10
EUPI062100-187A	EUP	0.625	1.000	0.187	0.212	RMD101A	
EUPI062100-187B	EUP	0.625	1.000	0.187	0.212	RMD101	
SURIO62100-187	SUR	0.625	1.000	0.187	0.212	R53368	
GUPI062100-190	GUP	0.625	1.000	0.190	0.218	R30186	
EUPI062100-225B	EUP	0.625	1.000	0.225	0.250	R09125	
EUPI062100-250B	EUP	0.625	1.000	0.250	0.275	RMD1051	
GURIO62100-250	GUR	0.625	1.000	0.250	0.312		
SRIIO62100-255	SRI	0.625	1.000	0.255	0.281	R30534	
EUPI062100-260B	EUP	0.625	1.000	0.260	0.286	R00008	L10
SRFIO62100-281	SRF	0.625	1.000	0.281	0.300	R30465	
EUPI062100-281B	EUP	0.625	1.000	0.281	0.312		

PART N°	PROFILE	HOUSING DIMENSIONS				REFERENCE N°	ALTERNATIVE REFERENCE N°
		Ød	ØD	SH	L1		
EUPI062100-312B	EUP	0.625	1.000	0.312	0.340	RMD102	
EUPI062100-375B	EUP	0.625	1.000	0.375	0.375	R09126	L317
EUPI062112-227B	EUP	0.625	1.125	0.227	0.250	R00078	MU11
EUPI062112-250A	EUP	0.625	1.125	0.250	0.275	RMD227A	
EUPI062112-250B	EUP	0.625	1.125	0.250	0.275	RMD227	
GUPI062112-250	GUP	0.625	1.125	0.250	0.275	RMD1127	
SURIO62112-250	SUR	0.625	1.125	0.250	0.275	R00287	SU14
EUPI062112-375B	EUP	0.625	1.125	0.250	0.413	RMD1128	
EUPI062112-345B	EUP	0.625	1.125	0.345	0.380	R00009	L11
GUPI062112-375	GUP	0.625	1.125	0.375	0.413	RMD1129	
EUPI062125-312A	EUP	0.625	1.250	0.312	0.343	RMD384A	
EUPI062125-312B	EUP	0.625	1.250	0.312	0.343	RMD384	
EUPI062137-375B	EUP	0.625	1.375	0.375	0.413		
EUPI062137-375A	EUP	0.625	1.375	0.375	0.413	RMD1268	
TRRI068093-185	TRR	0.687	0.930	0.185	0.185		
EUPI068093-125A	EUP	0.687	0.937	0.125	0.138	RMD020A	
EUPI068093-125B	EUP	0.687	0.937	0.125	0.138	RMD020	
SURIO68093-125	SUR	0.687	0.937	0.125	0.156	RF5160	
R97IO68093-187	R97	0.687	0.937	0.187	0.207	R30279	
EUPI068093-250B	EUP	0.687	0.937	0.250	0.275	RMD021	
EUPI068100-187B	EUP	0.687	1.000	0.187	0.225	R09676	MU624
EUPI068100-375B	EUP	0.687	1.000	0.375	0.385	R09127	L321
EUPI068106-187A	EUP	0.687	1.062	0.187	0.212	RMD109A	
EUPI068106-187B	EUP	0.687	1.062	0.187	0.212	RMD109	
GURIO68106-250	GUR	0.687	1.062	0.250	0.281		
GURIO68106-281	GUR	0.687	1.062	0.281	0.334		
EUPI068106-312B	EUP	0.687	1.062	0.312	0.343	RMD1052	
GURIO68112-219	GUR	0.687	1.125	0.219	0.281		
EUPI068118-227B	EUP	0.687	1.187	0.227	0.250	R00079	MU12
EUPI068118-250A	EUP	0.687	1.187	0.250	0.275	RMD1130A	
EUPI068118-250B	EUP	0.687	1.187	0.250	0.275	RMD1130	
SURIO68118-250	SUR	0.687	1.187	0.250	0.275	R00288	SU15
EUPI068118-345B	EUP	0.687	1.187	0.345	0.380	R00010	L12
EUPI068118-375B	EUP	0.687	1.187	0.375	0.413	RMD1131	
EUPI068131-312A	EUP	0.687	1.312	0.312	0.343	RMD1220A	
EUPI068131-312B	EUP	0.687	1.312	0.312	0.343	RMD1220	
DIUI068093-187	DIU	0.688	0.937	0.187	0.250	R53588	
SURIO68100-156	SUR	0.688	1.000	0.156	0.187		
TRRI075099-185	TRR	0.750	0.992	0.185	0.185		
GURIO75100-125	GUR	0.750	1.000	0.125	0.138		
EUPI075100-125A	EUP	0.750	1.000	0.125	0.138	RMD912A	
EUPI075100-125B	EUP	0.750	1.000	0.125	0.138	RMD912	
GUPI075100-125	GUP	0.750	1.000	0.125	0.138	R30863	
R97IO75100-125	R97	0.750	1.000	0.125	0.138	R30280	
SURIO75100-125	SUR	0.750	1.000	0.125	0.156	RF5011	



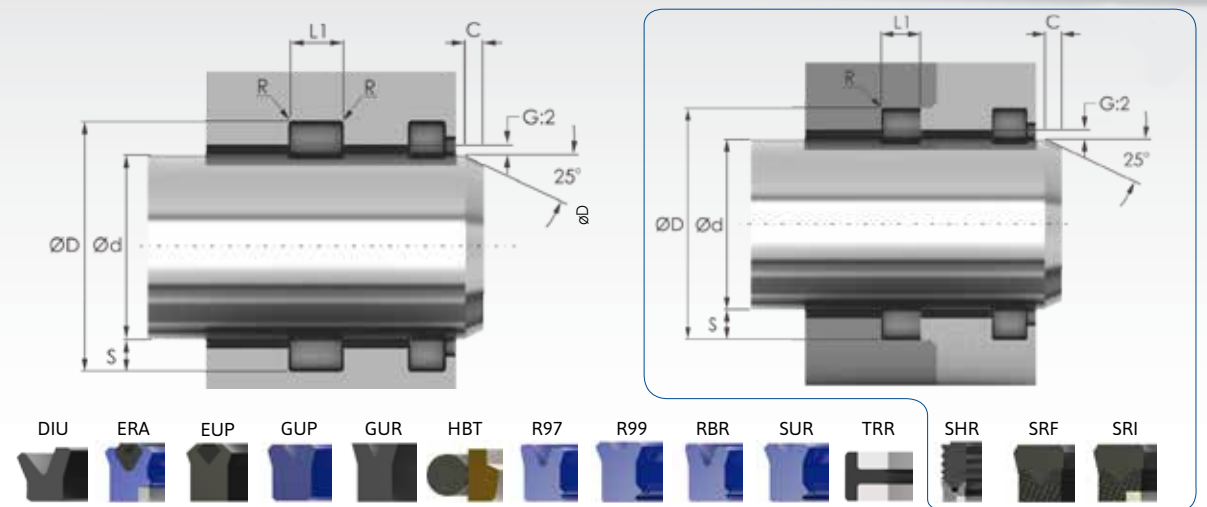
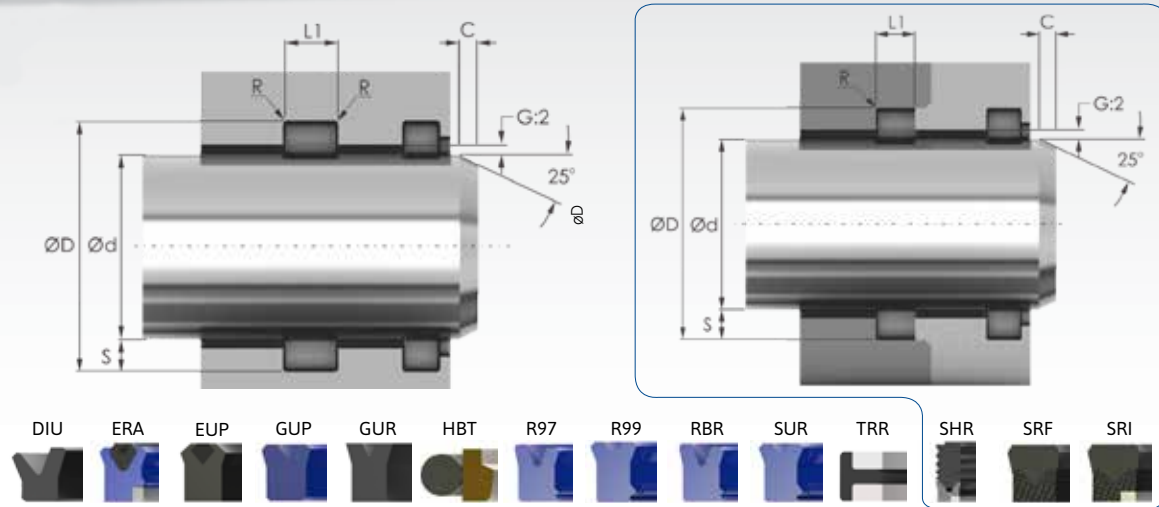
PART N°	PROFILE	HOUSING DIMENSIONS				REFERENCE N°	ALTERNATIVE REFERENCE N°
		Ød	ØD	SH	L1		
R97I075100-187	R97	0.750	1.000	0.187	0.207	R30281	
EUPI075100-187B	EUP	0.750	1.000	0.187	0.212	RMD022	
GUPI075100-187	GUP	0.750	1.000	0.187	0.212	R30864	
DIUI075100-187	DIU	0.750	1.000	0.187	0.250	RF5267	
EUPI075100-250B	EUP	0.750	1.000	0.250	0.275	RMD023	
GUPI075100-250	GUP	0.750	1.000	0.250	0.275	R30865	
R97I075100-250	R97	0.750	1.000	0.250	0.275	R30282	
HBTI075103-120	HBT	0.750	1.037	0.120	0.126	R30225	
EUPI075106-156A	EUP	0.750	1.062	0.156	0.180	RMD870A	
EUPI075106-156B	EUP	0.750	1.062	0.156	0.180	RMD870	
SRFI075109-281	SRF	0.750	1.093	0.281	0.300	R58554	
EUPI075112-187A	EUP	0.750	1.125	0.187	0.212	RMD106A	
EUPI075112-187B	EUP	0.750	1.125	0.187	0.212	RMD106	
GUPI075112-187	GUP	0.750	1.125	0.187	0.212	RMD1053	
SURI075112-187	SUR	0.750	1.125	0.187	0.212	R00301	
GUPI075112-250	GUP	0.750	1.125	0.250	0.275	RMD1054	
EUPI075112-250B	EUP	0.750	1.125	0.250	0.275	R30045	
SRII075112-312	SRI	0.750	1.125	0.281	0.312	RK2920	
EUPI075112-312B	EUP	0.750	1.125	0.312	0.343	R30046	
R97I075112-312	R97	0.750	1.125	0.312	0.344	R30283	
HBTI075118-150	HBT	0.750	1.183	0.150	0.165	R30226	
SURI075118-250	SUR	0.750	1.187	0.250	0.315		
EUPI075125-227B	EUP	0.750	1.250	0.227	0.250	R00080	MU13
GURI075125-250	GUR	0.750	1.250	0.250	0.275		
EUPI075125-250A	EUP	0.750	1.250	0.250	0.275	RMD231A	
EUPI075125-250B	EUP	0.750	1.250	0.250	0.275	RMD231	
GUPI075125-250	GUP	0.750	1.250	0.250	0.275	R30188	
SURI075125-250	SUR	0.750	1.250	0.250	0.275	R00289	SU16
SRII075125-295	SRI	0.750	1.250	0.295	0.312	R30535	
EUPI075125-312B	EUP	0.750	1.250	0.312	0.343	RMD1132	
EUPI075125-345B	EUP	0.750	1.250	0.345	0.380	R00011	L13
EUPI075125-375B	EUP	0.750	1.250	0.375	0.413	RMD1133	
GURI075131-312	GUR	0.750	1.312	0.312	0.375		
EUPI075137-312A	EUP	0.750	1.375	0.312	0.343	RMD386A	
EUPI075137-312B	EUP	0.750	1.375	0.312	0.343	RMD386	
GURI075137-312	GUR	0.750	1.375	0.312	0.375		
EUPI075137-500B	EUP	0.750	1.375	0.500	0.550	RMD1221	
EUPI075150-375A	EUP	0.750	1.500	0.375	0.413	RMD503A	
EUPI075150-375B	EUP	0.750	1.500	0.375	0.413	RMD503	
SURI075150-375	SUR	0.750	1.500	0.375	0.437		
EUPI081106-125A	EUP	0.812	1.062	0.125	0.138		
EUPI081106-125B	EUP	0.812	1.062	0.125	0.138	R30048	
SURI081106-125	SUR	0.812	1.062	0.125	0.156	RF5015	
R97I081106-187	R97	0.812	1.062	0.187	0.207	R30284	
EUPI081106-250B	EUP	0.812	1.062	0.250	0.275	RMD025	

PART N°	PROFILE	HOUSING DIMENSIONS				REFERENCE N°	ALTERNATIVE REFERENCE N°
		Ød	ØD	SH	L1		
DIUI081112-187	DIU	0.812	1.125	0.187	0.250	RF5268	
EUPI081118-187A	EUP	0.812	1.187	0.187	0.212	RMD108A	
EUPI081118-187B	EUP	0.812	1.187	0.187	0.212	RMD108	
EUPI081118-312B	EUP	0.812	1.187	0.312	0.343	RMD1055	
EUPI081131-250A	EUP	0.812	1.312	0.250	0.275	RMD234A	
EUPI081131-250B	EUP	0.812	1.312	0.250	0.275	RMD234	
SURI081131-250	SUR	0.812	1.312	0.250	0.275	R00290	SU17
EUPI081131-375B	EUP	0.812	1.312	0.375	0.413		
GURI081143-375	GUR	0.812	1.437	0.375	0.437		
DIUI081156-353	DIU	0.812	1.562	0.353	0.406	RF5269	
GURI081112-156	GUR	0.818	1.120	0.156	0.187		
EUPI083120-375B	EUP	0.832	1.207	0.375	0.400	R09129	L311
TRRI087111-185	TRR	0.875	1.117	0.125	0.125		
EUPI087112-125A	EUP	0.875	1.125	0.125	0.138	RMD026A	
EUPI087112-125B	EUP	0.875	1.125	0.125	0.138	RMD026	
SURI087112-125	SUR	0.875	1.125	0.125	0.156	RF5017	
R97I087112-187	R97	0.875	1.125	0.187	0.207	R30286	
EUPI087112-187B	EUP	0.875	1.125	0.187	0.212	RMD027	
R99I087112-250	R99	0.875	1.125	0.250	0.275		
R97I087112-250	R97	0.875	1.125	0.250	0.275	R51676	
EUPI087112-250B	EUP	0.875	1.125	0.250	0.275	R30049	
HBTI087116-120	HBT	0.875	1.162	0.120	0.126		
EUPI087118-187B	EUP	0.875	1.187	0.187	0.212		
R97I087118-187	R97	0.875	1.187	0.187	0.212	RMD1039	
EUPI087118-250B	EUP	0.875	1.187	0.250	0.275	R09130	L384
EUPI087125-187A	EUP	0.875	1.250	0.187	0.212	RMD110A	
EUPI087125-187B	EUP	0.875	1.250	0.187	0.212	RMD110	
SURI087125-187	SUR	0.875	1.250	0.187	0.212	R07666	S686
DIUI087125-187	DIU	0.875	1.250	0.187	0.250	R51596	
EUPI087125-250B	EUP	0.875	1.250	0.250	0.275	RMD1056	
EUPI087125-312B	EUP	0.875	1.250	0.312	0.343	RMD111	
GUPI087125-312	GUP	0.875	1.250	0.312	0.343	RMD1058	
SRFI087125-375	SRF	0.875	1.250	0.375	0.400		
EUPI087137-227B	EUP	0.875	1.375	0.227	0.250	R00082	MU15
SRII087137-230	SRI	0.875	1.375	0.230	0.250	R30536	
EUPI087137-250A	EUP	0.875	1.375	0.250	0.275	RMD235A	
EUPI087137-250B	EUP	0.875	1.375	0.250	0.275	RMD235	
GUPI087137-250	GUP	0.875	1.375	0.250	0.275	R30189	
SURI087137-250	SUR	0.875	1.375	0.250	0.275	R00291	SU18
EUPI087137-312B	EUP	0.875	1.375	0.312	0.343	RMD237	
GUPI087137-312	GUP	0.875	1.375	0.312	0.343	R30878	
EUPI087137-345B	EUP	0.875	1.375	0.345	0.380		
EUPI087137-375B	EUP	0.875	1.375	0.375	0.413	RMD236	
EUPI087150-312A	EUP	0.875	1.500	0.312	0.343	RMD388A	
EUPI087150-312B	EUP	0.875	1.500	0.312	0.343	RMD388	



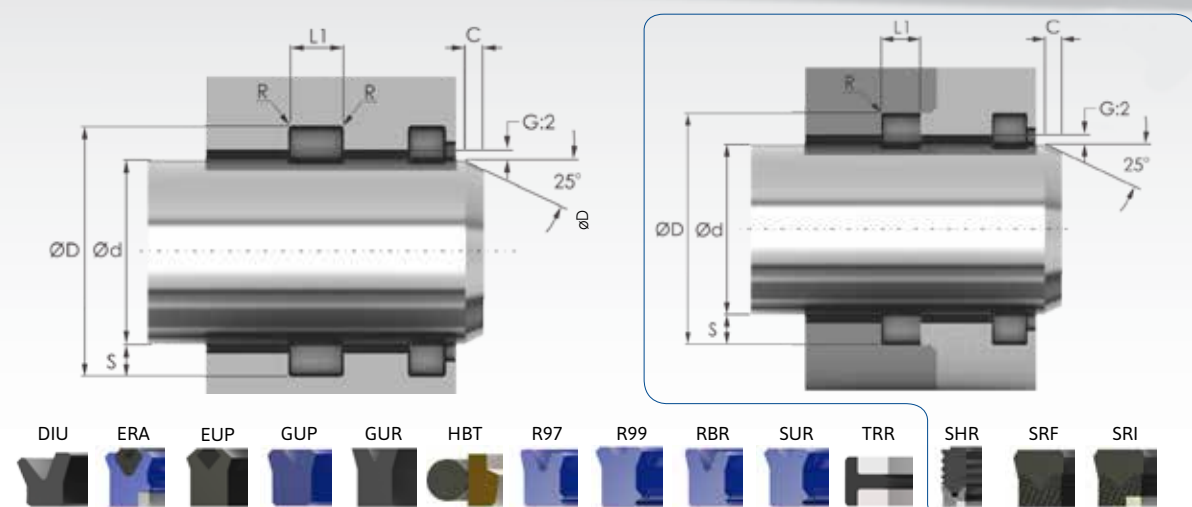
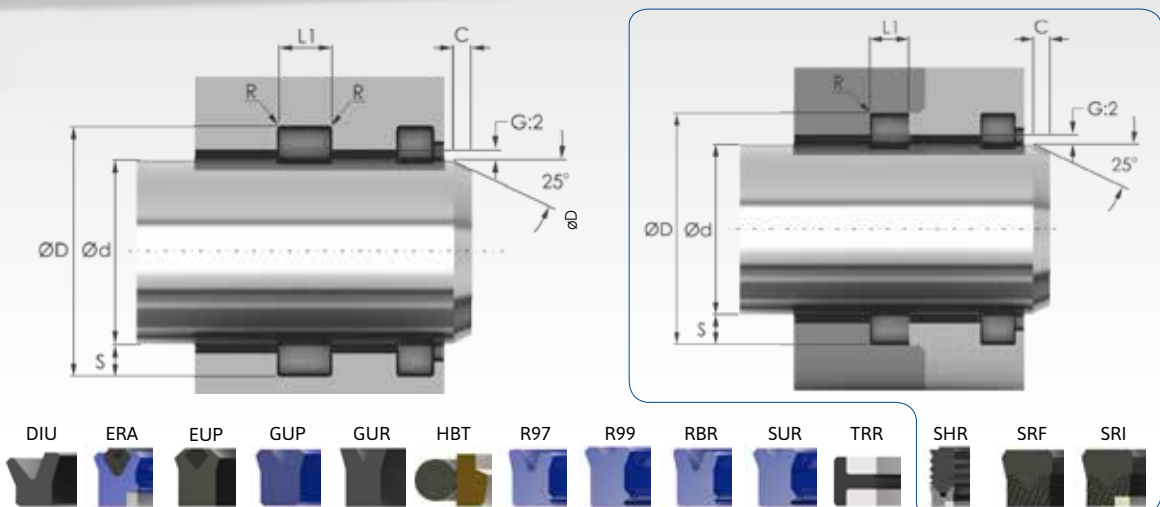
PART N°	PROFILE	HOUSING DIMENSIONS				REFERENCE N°	ALTERNATIVE REFERENCE N°
		Ød	ØD	SH	L1		
GURI087150-312	GUR	0.875	1.500	0.312	0.375		
EUPI087162-375B	EUP	0.875	1.625	0.375	0.400		
EUPI093118-125A	EUP	0.937	1.187	0.125	0.138	RMD028A	
EUPI093118-125B	EUP	0.937	1.187	0.125	0.138	RMD028	
SURI093118-125	SUR	0.937	1.187	0.125	0.156	RF5019	
EUPI093118-250B	EUP	0.937	1.187	0.250	0.275	RMD029	
SURI093125-156	SUR	0.937	1.250	0.156	0.188	RF5020	
EUPI093125-187B	EUP	0.937	1.250	0.187	0.212	RMD1040	
EUPI093131-187A	EUP	0.937	1.312	0.187	0.212	RMD112A	
EUPI093131-187B	EUP	0.937	1.312	0.187	0.212	RMD112	
EUPI093131-312B	EUP	0.937	1.312	0.312	0.343	RMD1059	
EUPI093143-227B	EUP	0.937	1.437	0.227	0.250	R00083	MU16
EUPI093143-250A	EUP	0.937	1.437	0.250	0.275		
GUPI093131-312	GUP	0.937	1.437	0.250	0.275		
GUPI093143-250	GUP	0.937	1.437	0.250	0.275		
EUPI093143-250B	EUP	0.937	1.437	0.250	0.275	RMD233	
SURI093143-250	SUR	0.937	1.437	0.250	0.275	R00292	SU19
DIUI093143-250	DIU	0.937	1.437	0.250	0.312	RF5270	
EUPI093143-345B	EUP	0.937	1.437	0.345	0.380	R00014	L16
EUPI093143-375B	EUP	0.937	1.437	0.375	0.413	RMD1135	
GURI093156-312	GUR	0.937	1.562	0.312	0.375		
GURI093162-375	GUR	0.937	1.625	0.375	0.437		
TRRI100124-185	TRR	1.000	1.242	0.125	0.125		
GUPI100125-125	GUP	1.000	1.250	0.125	0.138		
EUPI100125-125A	EUP	1.000	1.250	0.125	0.138	RMD031A	
EUPI100125-125B	EUP	1.000	1.250	0.125	0.138	RMD031	
SURI100125-125	SUR	1.000	1.250	0.125	0.156	RF5023	
EUPI100125-136B	EUP	1.000	1.250	0.136	0.150	R09080	MU586
EUPI100125-156B	EUP	1.000	1.250	0.156	0.172	RMD1021	
SRII100125-167	SRI	1.000	1.250	0.167	0.187	R30537	
R97I100125-187	R97	1.000	1.250	0.187	0.207	R30289	
EUPI100125-187B	EUP	1.000	1.250	0.187	0.212	RMD030	
EUPI100125-250B	EUP	1.000	1.250	0.250	0.275	RMD911	
R97I100125-250	R97	1.000	1.250	0.250	0.275	R59219	
GUPI100125-250	GUP	1.000	1.250	0.250	0.275	R30866	
EUPI100125-270B	EUP	1.000	1.250	0.270	0.295	R09132	L313
HBTI100129-120	HBT	1.000	1.298	0.120	0.126		
EUPI100131-156A	EUP	1.000	1.312	0.156	0.172	RMD084A	
EUPI100131-156B	EUP	1.000	1.312	0.156	0.172	RMD084	
SURI100131-156	SUR	1.000	1.312	0.156	0.188	RF5024	
EUPI100131-205B	EUP	1.000	1.312	0.205	0.225	R09211	MU575
R97I100131-210	R97	1.000	1.312	0.210	0.231	RMD1041	
EUPI100131-218B	EUP	1.000	1.312	0.218	0.235	RMD969	
R97I100131-219	R97	1.000	1.312	0.219	0.241	R30290	
EUPI100137-187A	EUP	1.000	1.375	0.187	0.212	RMD114A	

PART N°	PROFILE	HOUSING DIMENSIONS				REFERENCE N°	ALTERNATIVE REFERENCE N°
		Ød	ØD	SH	L1		
EUPI100137-187B	EUP	1.000	1.375	0.187	0.212	RMD114	
GUPI100137-187	GUP	1.000	1.375	0.187	0.212	RMD1061	
SURI100137-187	SUR	1.000	1.375	0.187	0.212	R07668	SU51
SRII100137-230	SRI	1.000	1.375	0.230	0.250	R30538	
EUPI100137-250B	EUP	1.000	1.375	0.250	0.275	RMD115	
R97I100137-250	R97	1.000	1.375	0.250	0.275	R30291	
GURI100137-250	GUR	1.000	1.375	0.250	0.312		
EUPI100137-312R	EUP	1.000	1.375	0.312	0.343	RMD1063	
GUPI100137-312	GUP	1.000	1.375	0.312	0.343	RMD1062	
EUPI100137-312B	EUP	1.000	1.375	0.312	0.343	R30050	
R97I100137-312	R97	1.000	1.375	0.312	0.344	R30292	
EUPI100137-375B	EUP	1.000	1.375	0.375	0.413	RMD116	
HBTI100142-150	HBT	1.000	1.424	0.150	0.165		
EUPI100150-227B	EUP	1.000	1.500	0.227	0.250	R00084	MU17
SRII100150-250	SRI	1.000	1.500	0.230	0.250	RK2921	
EUPI100150-250A	EUP	1.000	1.500	0.250	0.275	RMD229A	
EUPI100150-250B	EUP	1.000	1.500	0.250	0.275	RMD229	
GUPI100150-250	GUP	1.000	1.500	0.250	0.275	R30190	
SURI100150-250	SUR	1.000	1.500	0.250	0.275	R00293	SU20
DIUI100150-250	DIU	1.000	1.500	0.250	0.312	R51457	
R97I100150-255	R97	1.000	1.500	0.255	0.275	R30293	
EUPI100150-312B	EUP	1.000	1.500	0.312	0.343	RMD1136	
EUPI100150-345B	EUP	1.000	1.500	0.345	0.380	R00015	L17
SRII100150-350	SRI	1.000	1.500	0.350	0.375	R30539	
EUPI100150-375B	EUP	1.000	1.500	0.375	0.413	RMD230	
GUPI100150-375	GUP	1.000	1.500	0.375	0.413	RMD1137	
R97I100150-375	R97	1.000	1.500	0.375	0.413	R30295	
SRII100150-413	SRI	1.000	1.500	0.413	0.437	R30540	
EUPI100162-284B	EUP	1.000	1.625	0.284	0.312	R09664	MU18
EUPI100162-312A	EUP	1.000	1.625	0.312	0.343	RMD390A	
EUPI100162-312B	EUP	1.000	1.625	0.312	0.343	RMD390	
EUPI100162-375B	EUP	1.000	1.625	0.375	0.413	R30051	
EUPI100162-402B	EUP	1.000	1.625	0.402	0.442	R00016	L18
EUPI100162-500B	EUP	1.000	1.625	0.500	0.550	RMD391	
GURI100168-375	GUR	1.000	1.687	0.375	0.438		
EUPI100175-375A	EUP	1.000	1.750	0.375	0.413	RMD508A	
EUPI100175-375B	EUP	1.000	1.750	0.375	0.413	RMD508	
GURI100175-375	GUR	1.000	1.750	0.375	0.438		
EUPI100175-438B	EUP	1.000	1.750	0.437	0.445	R09063	MU545
EUPI100200-500A	EUP	1.000	2.000	0.500	0.550	RMD1349A	
EUPI100200-500B	EUP	1.000	2.000	0.500	0.550	RMD1349	
R97I106130-187	R97	1.062	1.302	0.187	0.207	R30296	
EUPI106131-125A	EUP	1.062	1.312	0.125	0.138	RMD032A	
EUPI106131-125B	EUP	1.062	1.312	0.125	0.138	RMD032	
SURI106131-156	SUR	1.062	1.312	0.156	0.187		



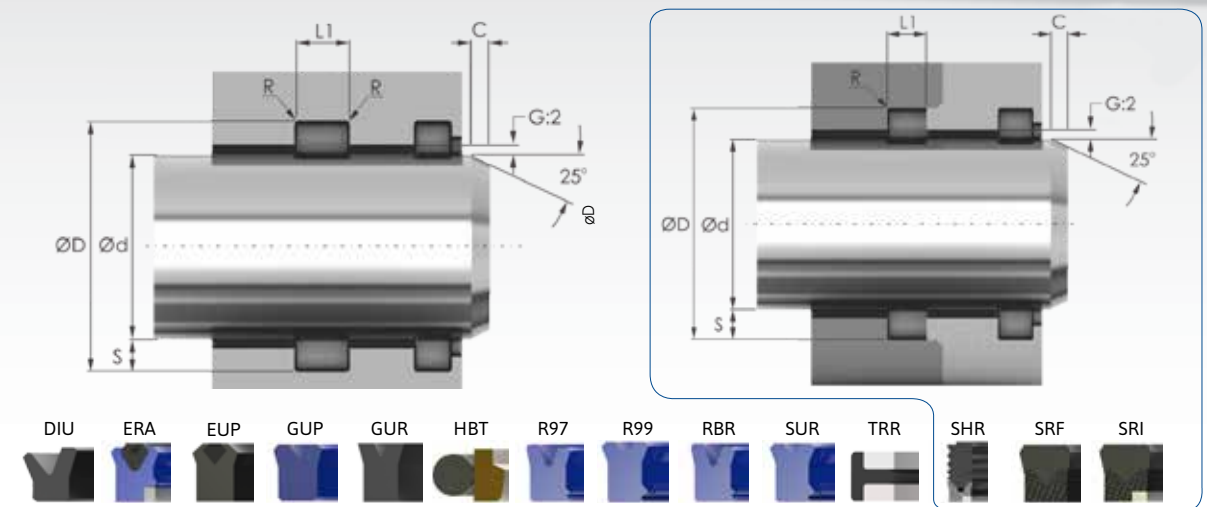
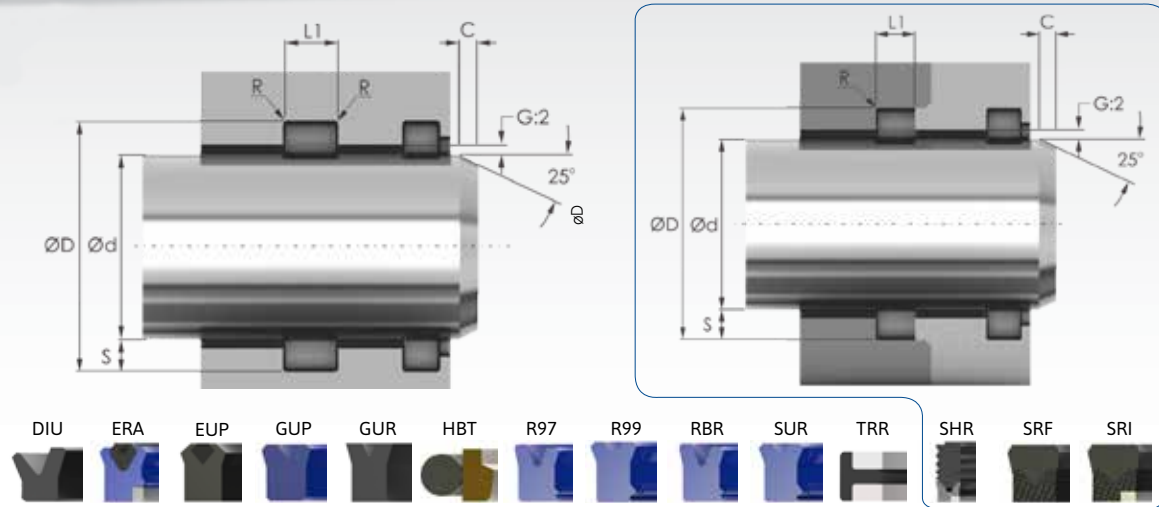
PART N°	PROFILE	HOUSING DIMENSIONS				REFERENCE N°	ALTERNATIVE REFERENCE N°
		Ød	ØD	SH	L1		
EUPI106131-250B	EUP	1.062	1.312	0.250	0.275	RMD033	
SURI106137-156	SUR	1.062	1.375	0.156	0.188	RF5027	
EUPI106143-187A	EUP	1.062	1.437	0.187	0.212	RMD117A	
EUPI106143-187B	EUP	1.062	1.437	0.187	0.212	RMD117	
DIUI106143-250	DIU	1.062	1.437	0.250	0.312	RF5271	
EUPI106143-312B	EUP	1.062	1.437	0.312	0.343	RMD118	
EUPI106156-250A	EUP	1.062	1.562	0.250	0.275	RMD240A	
EUPI106156-250B	EUP	1.062	1.562	0.250	0.275	RMD240	
SURI106156-250	SUR	1.062	1.562	0.250	0.275	R00294	SU21
GURI106181-375	GUR	1.062	1.812	0.375	0.438		
TRRI106130-185	TRR	1.068	1.304	0.185	0.185		
R97I112136-192	R97	1.125	1.365	0.192	0.212	R30298	
TRRI112136-185	TRR	1.125	1.367	0.185	0.185		
EUPI112137-125A	EUP	1.125	1.375	0.125	0.138	RMD908A	
EUPI112137-125B	EUP	1.125	1.375	0.125	0.138	RMD908	
GUPI112137-125	GUP	1.125	1.375	0.125	0.138	R30867	
SURI112137-125	SUR	1.125	1.375	0.125	0.156	RF5029	
SRII112137-187	SRI	1.125	1.375	0.167	0.187	RK2922	
R97I112137-187	R97	1.125	1.375	0.187	0.207	R30299	
EUPI112137-187B	EUP	1.125	1.375	0.187	0.212	RMD034	
GUPI112137-187	GUP	1.125	1.375	0.187	0.212	R30888	
EUPI112137-250B	EUP	1.125	1.375	0.250	0.275	RMD037	
GUPI112137-250	GUP	1.125	1.375	0.250	0.275	R30868	
R97I112137-250	R97	1.125	1.375	0.250	0.275	R30300	
EUPI112137-312B	EUP	1.125	1.375	0.312	0.343	RMD966	
R97I112137-375	R97	1.125	1.375	0.375	0.413		
R97I112139-187	R97	1.125	1.399	0.187	0.207	R30301	
HBTI112142-120	HBT	1.125	1.423	0.120	0.126		
EUPI112143-156A	EUP	1.125	1.437	0.156	0.172	RMD972A	
EUPI112143-156B	EUP	1.125	1.437	0.156	0.172	RMD972	
EUPI112150-187A	EUP	1.125	1.500	0.187	0.212	RMD120A	
EUPI112150-187B	EUP	1.125	1.500	0.187	0.212	RMD120	
GUPI112150-187	GUP	1.125	1.500	0.187	0.212	R30874	
SURI112150-187	SUR	1.125	1.500	0.187	0.212	R30591	
EUPI112150-250B	EUP	1.125	1.500	0.250	0.275	RMD122	
GUPI112150-250	GUP	1.125	1.500	0.250	0.275	RMD1065	
EUPI112150-281B	EUP	1.125	1.500	0.281	0.290	R09133	L330
EUPI112150-312B	EUP	1.125	1.500	0.312	0.343	RMD121	
R97I112150-312	R97	1.125	1.500	0.312	0.344	R30302	
GUPI112150-375	GUP	1.125	1.500	0.375	0.413	RMD1066	
SRII112156-320	SRI	1.125	1.562	0.320	0.343	R30541	
EUPI112162-245B	EUP	1.125	1.625	0.245	0.270	R09135	MU546
EUPI112162-250A	EUP	1.125	1.625	0.250	0.275	RMD239A	
EUPI112162-250B	EUP	1.125	1.625	0.250	0.275	RMD239	
GUPI112162-250	GUP	1.125	1.625	0.250	0.275	RMD1138	

PART N°	PROFILE	HOUSING DIMENSIONS				REFERENCE N°	ALTERNATIVE REFERENCE N°
		Ød	ØD	SH	L1		
SURI112162-250	SUR	1.125	1.625	0.250	0.275	R00295	SU22
SRII112162-335	SRI	1.125	1.625	0.312	0.335	RK2923	
EUPI112162-312B	EUP	1.125	1.625	0.312	0.343	RMD241	
GURI112162-312	GUR	1.125	1.625	0.312	0.375		
DIUI112162-312	DIU	1.125	1.625	0.312	0.375	RF5272	
EUPI112162-360B	EUP	1.125	1.625	0.360	0.396		
EUPI112162-375B	EUP	1.125	1.625	0.375	0.413	RMD242	
EUPI112175-284B	EUP	1.125	1.750	0.284	0.312	R00086	MU19
EUPI112175-312A	EUP	1.125	1.750	0.312	0.343	RMD392A	
EUPI112175-312B	EUP	1.125	1.750	0.312	0.343	RMD392	
EUPI112175-375B	EUP	1.125	1.750	0.375	0.413	RMD393	
EUPI112175-402B	EUP	1.125	1.750	0.402	0.442	R00017	L19
SRII112175-413	SRI	1.125	1.750	0.413	0.437	RK2924	
EUPI112187-375A	EUP	1.125	1.875	0.375	0.413	RMD509A	
EUPI112187-375B	EUP	1.125	1.875	0.375	0.413	RMD509	
GURI112187-375	GUR	1.125	1.875	0.375	0.438		
TRRI118142-185	TRR	1.187	1.429	0.185	0.185		
EUPI118143-125A	EUP	1.187	1.437	0.125	0.150	RMD036A	
EUPI118143-125B	EUP	1.187	1.437	0.125	0.150	RMD036	
EUPI118143-187B	EUP	1.187	1.437	0.187	0.205		
EUPI118143-250B	EUP	1.187	1.437	0.250	0.275	RMD038	
EUPI118150-156A	EUP	1.187	1.500	0.156	0.172	RMD086A	
EUPI118150-156B	EUP	1.187	1.500	0.156	0.172	RMD086	
SURI118150-156	SUR	1.187	1.500	0.156	0.187		
EUPI118150-250B	EUP	1.187	1.500	0.250	0.275	RMD1042	
EUPI118156-187A	EUP	1.187	1.562	0.187	0.212	RMD1067A	
EUPI118156-187B	EUP	1.187	1.562	0.187	0.212	R30052	
EUPI118156-250B	EUP	1.187	1.562	0.250	0.275	RMD123	
R97I118156-250	R97	1.187	1.562	0.250	0.275	R30306	
EUPI118156-312B	EUP	1.187	1.562	0.312	0.343	RMD124	
EUPI118156-375B	EUP	1.187	1.562	0.375	0.413	RMD964	
GUPI118162-375	GUP	1.187	1.625	0.375	0.413	RMD1113	
EUPI118168-250A	EUP	1.187	1.687	0.250	0.275	RMD243A	
EUPI118168-250B	EUP	1.187	1.687	0.250	0.275	RMD243	
SURI118168-250	SUR	1.187	1.687	0.250	0.275	R00296	SU23
EUPI118168-375B	EUP	1.187	1.687	0.375	0.413	RMD961	
EUPI118175-281A	EUP	1.187	1.750	0.281	0.312	RMD1214	
EUPI118181-312A	EUP	1.187	1.812	0.312	0.343	RMD1222A	
EUPI118181-312B	EUP	1.187	1.812	0.312	0.343	RMD1222	
GURI118193-375	GUR	1.187	1.937	0.375	0.438		
R99I125149-197	R99	1.250	1.491	0.197	0.217		
TRRI125149-185	TRR	1.250	1.492	0.185	0.185		
EUPI125150-125A	EUP	1.250	1.500	0.125	0.138	RMD040A	
EUPI125150-125B	EUP	1.250	1.500	0.125	0.138	RMD040	
EUPI125150-187B	EUP	1.250	1.500	0.187	0.212	RMD041	



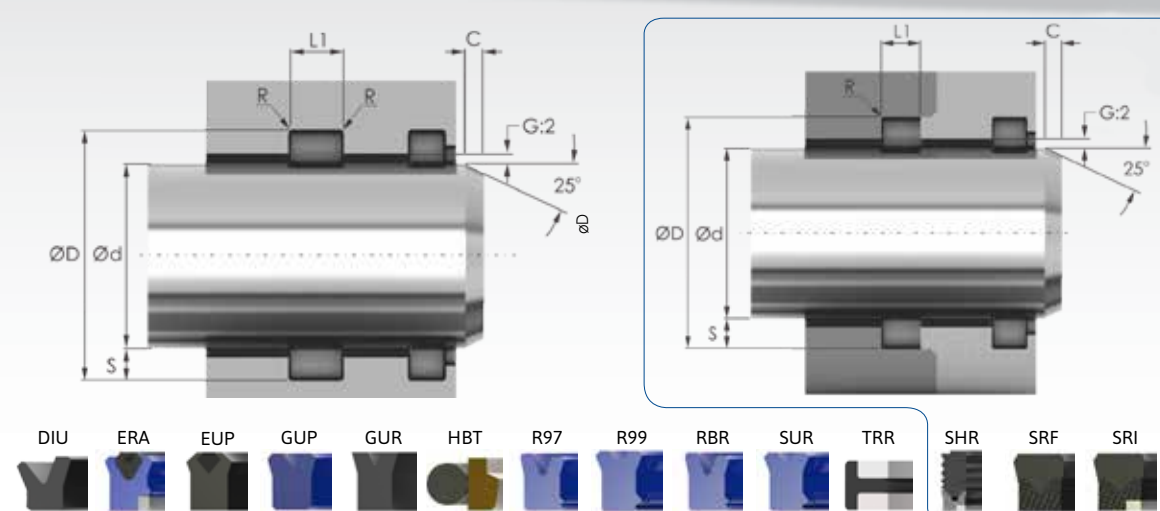
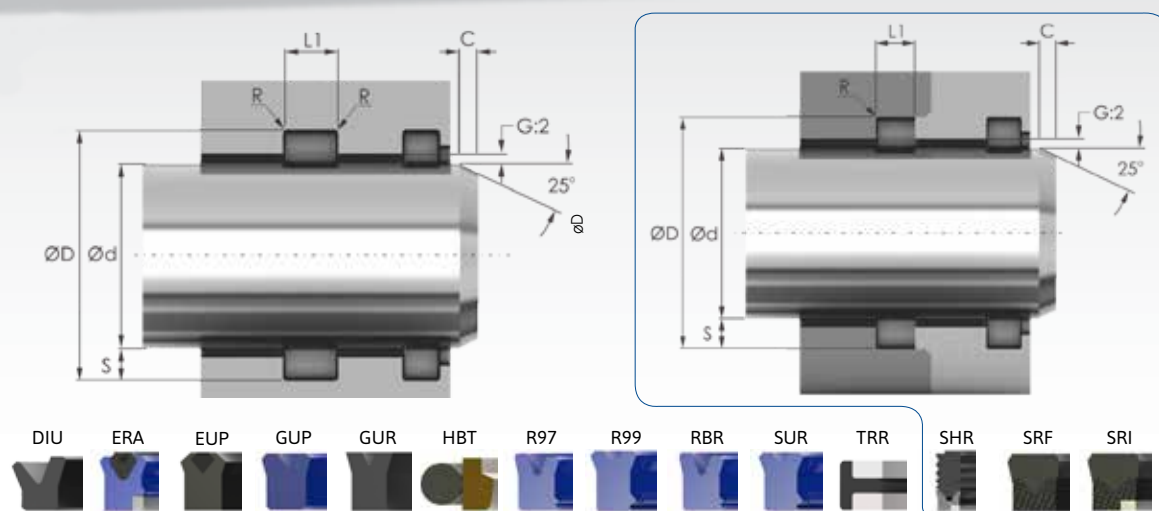
PART N°	PROFILE	HOUSING DIMENSIONS				REFERENCE N°	ALTERNATIVE REFERENCE N°
		Ød	ØD	SH	L1		
ERA125150-250	ERA	1.250	1.500	0.250	0.275		
R99125150-250	R99	1.250	1.500	0.250	0.275		
EUP125150-250B	EUP	1.250	1.500	0.250	0.275	RMD042	
GUP125150-250	GUP	1.250	1.500	0.250	0.275	R30869	
R97125150-250	R97	1.250	1.500	0.250	0.275	R30307	
EUP125150-312B	EUP	1.250	1.500	0.312	0.343	RMD967	
R97125150-312	R97	1.250	1.500	0.312	0.375	R30870	
HBT125154-120	HBT	1.250	1.548	0.120	0.126		
EUP125156-156A	EUP	1.250	1.562	0.156	0.172	RMD156A	
EUP125156-156B	EUP	1.250	1.562	0.156	0.172	RMD156	
SUR125156-156	SUR	1.250	1.562	0.156	0.188	RF5032	
R97125162-187	R97	1.250	1.625	0.187	0.207	R30308	
EUP125162-187A	EUP	1.250	1.625	0.187	0.212	RMD125A	
EUP125162-187B	EUP	1.250	1.625	0.187	0.212	RMD125	
GUP125162-187	GUP	1.250	1.625	0.187	0.212	RMD1068	
SUR125162-187	SUR	1.250	1.625	0.187	0.212	R30592	
EUP125162-220BM	EUP	1.250	1.625	0.220	0.242		
EUP125162-227B	EUP	1.250	1.625	0.227	0.250	RMD1423	
R97125162-227	R97	1.250	1.625	0.227	0.250	R30309	
SRI125162-230	SRI	1.250	1.625	0.230	0.250	R30542	
ERA125162-250	ERA	1.250	1.625	0.250	0.275		
EUP125162-250B	EUP	1.250	1.625	0.250	0.275	RMD126	
GUP125162-250	GUP	1.250	1.625	0.250	0.275	RMD1069	
R97125162-250	R97	1.250	1.625	0.250	0.275	R30310	
SRI125162-255	SRI	1.250	1.625	0.255	0.281	R30543	
EUP125162-281B	EUP	1.250	1.625	0.281	0.305	R09136	L314
GUP125162-312	GUP	1.250	1.625	0.312	0.343	RMD1070	
EUP125162-312B	EUP	1.250	1.625	0.312	0.343	R30053	
R97125162-312	R97	1.250	1.625	0.312	0.344	R30311	
EUP125162-375B	EUP	1.250	1.625	0.375	0.413	RMD128	
R97125162-375	R97	1.250	1.625	0.375	0.413	RMD1071	
HBT125167-159	HBT	1.250	1.674	0.159	0.165		
EUP125175-250A	EUP	1.250	1.750	0.250	0.275	RMD244A	
EUP125175-250B	EUP	1.250	1.750	0.250	0.275	RMD244	
R97125175-250	R97	1.250	1.750	0.250	0.275	R30312	
GUP125175-250	GUP	1.250	1.750	0.250	0.275	R30191	
SUR125175-250	SUR	1.250	1.750	0.250	0.275	R00297	SU24
DIU125175-250	DIU	1.250	1.750	0.250	0.312	R53808	
EUP125175-312B	EUP	1.250	1.750	0.312	0.343	RMD1139	
SRI125175-355	SRI	1.250	1.750	0.355	0.375	R30544	
EUP125175-375B	EUP	1.250	1.750	0.375	0.413	RMD245	
R97125175-375	R97	1.250	1.750	0.375	0.413	R30313	
GUP125175-375	GUP	1.250	1.750	0.375	0.413	R30192	
EUP125175-500B	EUP	1.250	1.750	0.500	0.550		
RBR125178-130/1	RBR	1.250	1.780	0.130	0.140		

PART N°	PROFILE	HOUSING DIMENSIONS				REFERENCE N°	ALTERNATIVE REFERENCE N°
		Ød	ØD	SH	L1		
RBR125181-125	RBR	1.250	1.813	0.125	0.140		
EUP125187-250B	EUP	1.250	1.875	0.250	0.275	RMD1223	
EUP125187-284B	EUP	1.250	1.875	0.284	0.312	R00087	MU20
EUP125187-312A	EUP	1.250	1.875	0.312	0.340	RMD396A	
EUP125187-312B	EUP	1.250	1.875	0.312	0.340	RMD396	
GUP125187-312	GUP	1.250	1.875	0.312	0.343	RMD397	
SUR125187-312	SUR	1.250	1.875	0.312	0.343	R00298	SU25
EUP125187-375B	EUP	1.250	1.875	0.375	0.413	RMD1456	
GUP125187-375	GUP	1.250	1.875	0.375	0.413	RMD1224	
R97125187-397	R97	1.250	1.875	0.397	0.437	R30314	
EUP125187-402B	EUP	1.250	1.875	0.402	0.442	R00018	L20
SRI125187-413	SRI	1.250	1.875	0.413	0.437	R30556	
SRF125187-437	SRF	1.250	1.875	0.437	0.457	R30477	
EUP125187-500B	EUP	1.250	1.875	0.500	0.550	RMD394	
EUP125200-375A	EUP	1.250	2.000	0.375	0.413	RMD512A	
EUP125200-375B	EUP	1.250	2.000	0.375	0.413	RMD512	
GUR125200-375	GUR	1.250	2.000	0.375	0.438		
EUP125200-437B	EUP	1.250	2.000	0.437	0.480		
SRF125200-468	SRF	1.250	2.000	0.465	0.485		
EUP125200-500B	EUP	1.250	2.000	0.500	0.550	RMD1004	
EUP125200-625B	EUP	1.250	2.000	0.625	0.650	RMD511	
EUP125225-500A	EUP	1.250	2.250	0.500	0.550	RMD700A	
EUP125225-500B	EUP	1.250	2.250	0.500	0.550	RMD700	
GUP131156-125	GUP	1.312	1.562	0.125	0.138	RMD1024	
EUP131156-125A	EUP	1.312	1.562	0.125	0.138	RMD1023A	
EUP131156-125B	EUP	1.312	1.562	0.125	0.138	RMD1023	
EUP131156-187B	EUP	1.312	1.562	0.187	0.212	RMD1438	
EUP131156-250B	EUP	1.312	1.562	0.250	0.275	RMD1025	
EUP131156-375B	EUP	1.312	1.562	0.375	0.400	RMD043	
DIU131160-180	DIU	1.312	1.600	0.180	0.250	RF5273	
SUR131162-156	SUR	1.312	1.625	0.156	0.188	RF5034	
EUP131168-187A	EUP	1.312	1.687	0.187	0.212	RMD130A	
EUP131168-187B	EUP	1.312	1.687	0.187	0.212	RMD130	
EUP131168-312B	EUP	1.312	1.687	0.312	0.343	RMD131	
EUP131181-250A	EUP	1.312	1.812	0.250	0.275	RMD246A	
EUP131181-250B	EUP	1.312	1.812	0.250	0.275	RMD246	
EUP131181-375B	EUP	1.312	1.812	0.375	0.413	RMD247	
EUP131193-312A	EUP	1.312	1.937	0.312	0.343	RMD1225A	
EUP131193-312B	EUP	1.312	1.937	0.312	0.343	RMD1225	
EUP131206-375A	EUP	1.312	2.062	0.375	0.413	RMD1269A	
EUP131206-375B	EUP	1.312	2.062	0.375	0.413	RMD1269	
GUR131206-375	GUR	1.312	2.062	0.375	0.438		
EUP134243-500B	EUP	1.344	2.437	0.500	0.525	R09139	L328
TRR137161-185	TRR	1.375	1.617	0.185	0.185		
EUP137162-125A	EUP	1.375	1.625	0.125	0.138	R30055A	



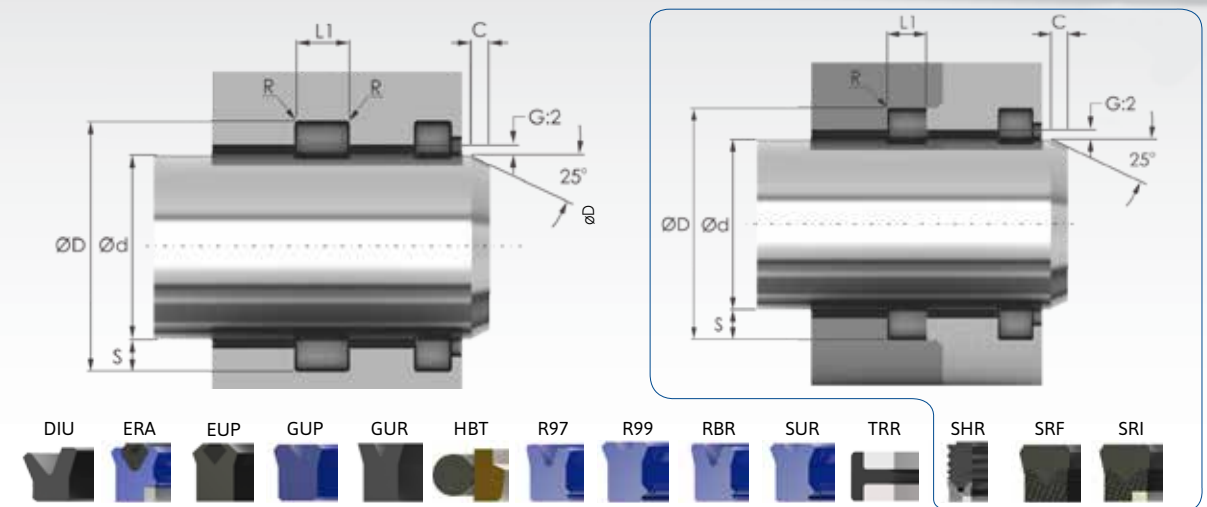
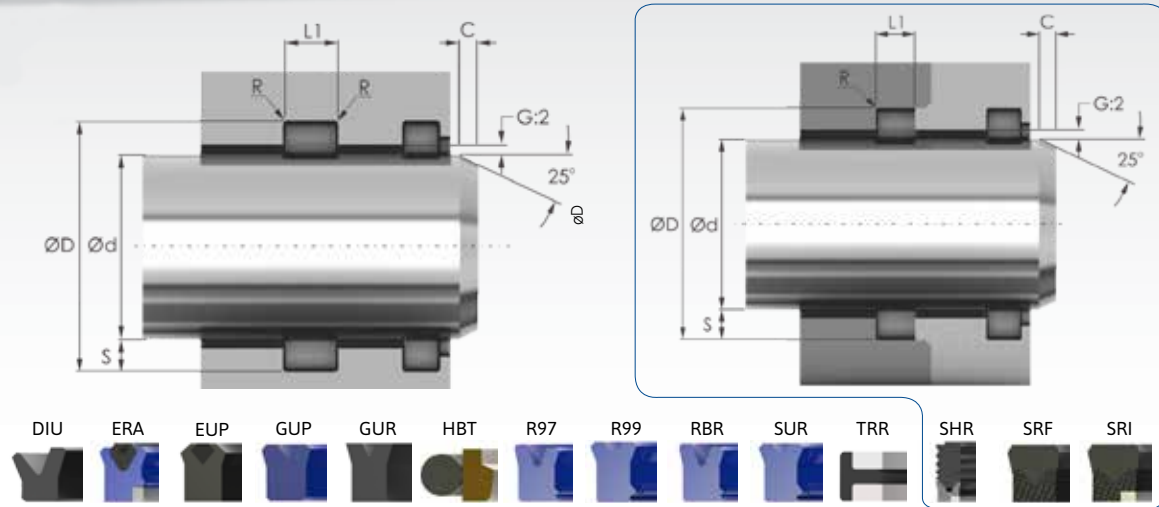
PART N°	PROFILE	HOUSING DIMENSIONS				REFERENCE N°	ALTERNATIVE REFERENCE N°
		Ød	ØD	SH	L1		
EUPI137162-125B	EUP	1.375	1.625	0.125	0.138	R30055	
EUPI137162-187B	EUP	1.375	1.625	0.187	0.212	RMD044	
R97I137162-250	R97	1.375	1.625	0.250	0.275	R30315	
EUPI137162-250B	EUP	1.375	1.625	0.250	0.275	R30056	
EUPI137162-312B	EUP	1.375	1.625	0.312	0.343	RMD1026	
EUPI137168-156A	EUP	1.375	1.687	0.156	0.172	RMD088A	
EUPI137168-156B	EUP	1.375	1.687	0.156	0.172	RMD088	
SURI137168-156	SUR	1.375	1.687	0.156	0.188	RF5036	
EUPI137168-187B	EUP	1.375	1.687	0.187	0.212	RMD901	
EUPI137168-205B	EUP	1.375	1.687	0.205	0.225	R09071	MU576
R97I137168-219	R97	1.375	1.687	0.219	0.241	R30316	
EUPI137168-250B	EUP	1.375	1.687	0.250	0.275		
R97I137175-187	R97	1.375	1.750	0.187	0.207	R30317	
EUPI137175-187A	EUP	1.375	1.750	0.187	0.212	RMD132A	
EUPI137175-187B	EUP	1.375	1.750	0.187	0.212	RMD132	
GUPI137175-187	GUP	1.375	1.750	0.187	0.212	R30875	
SURI137175-187	SUR	1.375	1.750	0.187	0.218	RF5037	
EUPI137175-250B	EUP	1.375	1.750	0.250	0.275	RMD133	
EUPI137175-312A	EUP	1.375	1.750	0.312	0.343	RMV018A	
EUPI137175-312B	EUP	1.375	1.750	0.312	0.343	R30057	
R97I137175-312	R97	1.375	1.750	0.312	0.344	R30318	
GUPI137175-375	GUP	1.375	1.750	0.375	0.413	R30193	
EUPI137175-375B	EUP	1.375	1.750	0.375	0.413	R30058	
HBTI137179-159	HBT	1.375	1.799	0.159	0.165		
EUPI137187-250A	EUP	1.375	1.875	0.250	0.275	RMD248A	
EUPI137187-250B	EUP	1.375	1.875	0.250	0.275	RMD248	
EUPI137187-312B	EUP	1.375	1.875	0.312	0.343	RMD962	
EUPI137187-375B	EUP	1.375	1.875	0.375	0.413	RMD107	
R97I137187-375	R97	1.375	1.875	0.375	0.413	R51947	
RBR138194-125	RBR	1.375	1.937	0.125	0.140		
EUPI137200-312A	EUP	1.375	2.000	0.312	0.343	RMD399A	
EUPI137200-312B	EUP	1.375	2.000	0.312	0.343	RMD399	
GUPI137200-312	GUP	1.375	2.000	0.312	0.343	R30881	
SURI137200-312	SUR	1.375	2.000	0.312	0.343	R00299	SU26
DIUI137200-312	DIU	1.375	2.000	0.312	0.375	R55839	
EUPI137200-375B	EUP	1.375	2.000	0.375	0.413	RMD400	
R97I137200-397	R97	1.375	2.000	0.397	0.437	R30319	
EUPI137200-402B	EUP	1.375	2.000	0.402	0.442	R00019	L21
SRII137200-413	SRI	1.375	2.000	0.413	0.437	R30545	
SRFI137200-437	SRF	1.375	2.000	0.437	0.457	R30478	
EUPI137200-500B	EUP	1.375	2.000	0.500	0.550	RMD401	
EUPI137212-375A	EUP	1.375	2.125	0.375	0.413	RMD513A	
EUPI137212-375B	EUP	1.375	2.125	0.375	0.413	RMD513	
GURI137212-375	GUR	1.375	2.125	0.375	0.438		
EUPI137212-437B	EUP	1.375	2.125	0.437	0.462	R09140	L392

PART N°	PROFILE	HOUSING DIMENSIONS				REFERENCE N°	ALTERNATIVE REFERENCE N°
		Ød	ØD	SH	L1		
EUPI137237-500A	EUP	1.375	2.375	0.500	0.550	RMD199A	
EUPI137237-500B	EUP	1.375	2.375	0.500	0.550	RMD199	
EUPI143168-125A	EUP	1.437	1.687	0.125	0.138	RMD046A	
EUPI143168-125B	EUP	1.437	1.687	0.125	0.138	RMD046	
EUPI143168-250B	EUP	1.437	1.687	0.250	0.275	RMD047	
EUPI143175-156B	EUP	1.437	1.750	0.156	0.180	RMD089	
EUPI143181-187A	EUP	1.437	1.812	0.187	0.212	RMD134A	
EUPI143181-187B	EUP	1.437	1.812	0.187	0.212	RMD134	
EUPI143181-312B	EUP	1.437	1.812	0.312	0.343	RMD965	
EUPI143193-250A	EUP	1.437	1.937	0.250	0.275	RMD1140A	
EUPI143193-250B	EUP	1.437	1.937	0.250	0.275	RMD1140	
DIUI143200-312	DIU	1.437	2.000	0.312	0.375	RF5274	
GURI143225-312	GUR	1.437	2.250	0.312	0.375		
TRRI143167-185	TRR	1.438	1.679	0.185	0.185		
TRRI150174-185	TRR	1.500	1.742	0.185	0.185		
EUPI150175-125A	EUP	1.500	1.750	0.125	0.138		
EUPI150175-125B	EUP	1.500	1.750	0.125	0.138	RMD048	
GUPI150175-125	GUP	1.500	1.750	0.125	0.138	R30887	
EUPI150175-187B	EUP	1.500	1.750	0.187	0.212	RMD049	
EUPI150175-250B	EUP	1.500	1.750	0.250	0.275	RMD050	
GUPI150175-250	GUP	1.500	1.750	0.250	0.275	R30871	
R97I150175-250	R97	1.500	1.750	0.250	0.275	R30321	
EUPI150175-312B	EUP	1.500	1.750	0.312	0.343	RMD1027	
HBTI150179-120	HBT	1.500	1.798	0.120	0.126		
EUPI150181-156A	EUP	1.500	1.812	0.156	0.172	RMD1044	
SURI150181-156	SUR	1.500	1.812	0.156	0.188	RF5040	
EUPI150181-312B	EUP	1.500	1.812	0.312	0.343	RMD090	
TRRI150187-280	TRR	1.500	1.871	0.280	0.280		
R99I150187-295	R99	1.500	1.872	0.295	0.325		
R97I150187-187	R97	1.500	1.875	0.187	0.207	R30322	
EUPI150187-187A	EUP	1.500	1.875	0.187	0.212	RMD138A	
EUPI150187-187B	EUP	1.500	1.875	0.187	0.212	RMD138	
SURI150187-187	SUR	1.500	1.875	0.187	0.218	RF5041	
SRII150187-225	SRI	1.500	1.875	0.225	0.250	R30546	
R99I150187-250	R99	1.500	1.875	0.250	0.270		
R97I150187-250	R97	1.500	1.875	0.250	0.275	R30323	
ERA150187-250	ERA	1.500	1.875	0.250	0.275	R30002	
EUPI150187-250B	EUP	1.500	1.875	0.250	0.275	R09085	L425
SRII150187-255	SRI	1.500	1.875	0.255	0.281	R30547	
R99I150187-312	R99	1.500	1.875	0.312	0.343		
EUPI150187-312B	EUP	1.500	1.875	0.312	0.343	RMD139	
R97I150187-312	R97	1.500	1.875	0.312	0.343	R30324	
ERA150187-312	ERA	1.500	1.875	0.312	0.343	R30003	
GUPI150187-375	GUP	1.500	1.875	0.375	0.413	RMD1073	
EUPI150187-375B	EUP	1.500	1.875	0.375	0.413	RMD1002	



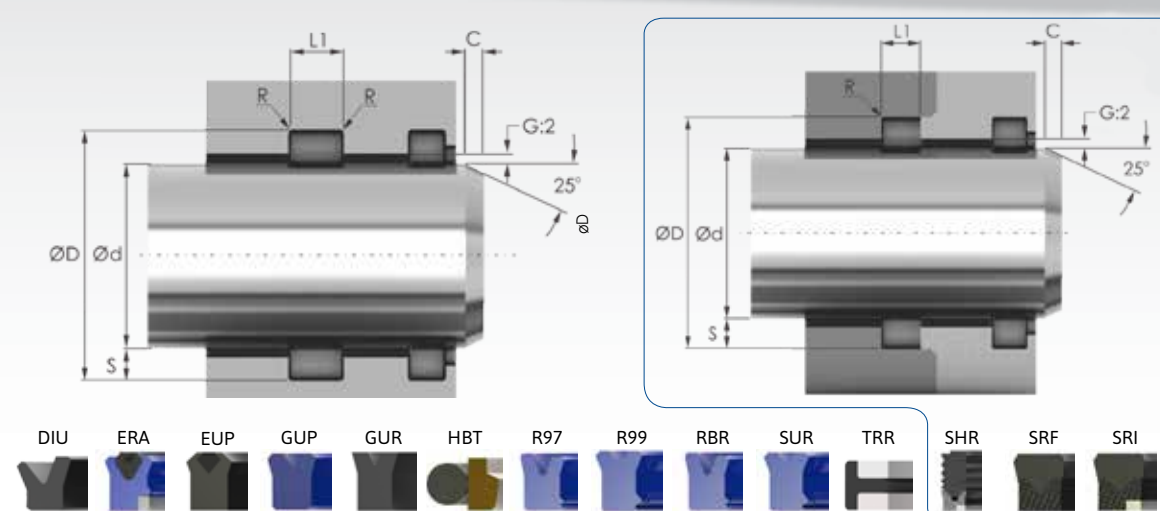
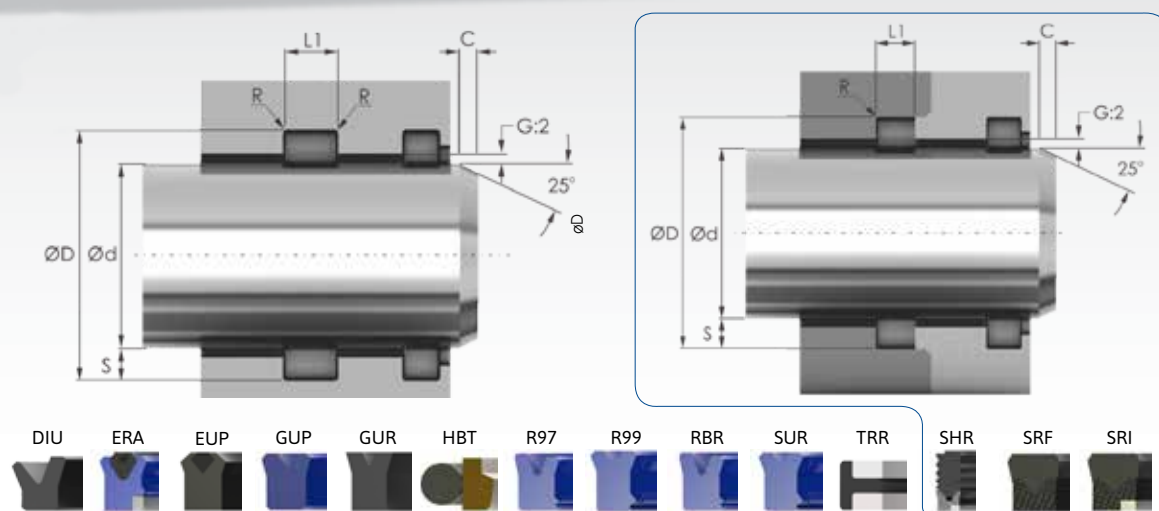
PART N°	PROFILE	HOUSING DIMENSIONS				REFERENCE N°	ALTERNATIVE REFERENCE N°
		Ød	ØD	SH	L1		
R97I150187-375	R97	1.500	1.875	0.375	0.413	R30325	
HBTI150192-159	HBT	1.500	1.921	0.159	0.165	R30231	
EUPI150200-250A	EUP	1.500	2.000	0.250	0.275	RMD251A	
EUPI150200-250B	EUP	1.500	2.000	0.250	0.275	RMD251	
R97I150200-250	R97	1.500	2.000	0.250	0.275	R30326	
GUPI150200-250	GUP	1.500	2.000	0.250	0.275	R30195	
SRFI150200-281	SRF	1.500	2.000	0.281	0.300	R30479	
GUPI150200-312	GUP	1.500	2.000	0.312	0.343	RMD1141	
EUPI150200-312A	EUP	1.500	2.000	0.312	0.343	R30060A	
EUPI150200-312B	EUP	1.500	2.000	0.312	0.343	R30060	
R97I150200-341	R97	1.500	2.000	0.341	0.375	R30327	
SRII150200-355	SRI	1.500	2.000	0.355	0.375	R30548	
EUPI150200-375B	EUP	1.500	2.000	0.375	0.413	RMD252	
GUPI150200-375	GUP	1.500	2.000	0.375	0.413	RMD1142	
R97I150200-375	R97	1.500	2.000	0.375	0.413	R30328	
ERA150200-375	ERA	1.500	2.000	0.375	0.413	R30004	
DIUI150200-375	DIU	1.500	2.000	0.375	0.437	R15422	
SRII150200-440	SRI	1.500	2.000	0.440	0.468	R30549	
EUPI150200-500B	EUP	1.500	2.000	0.500	0.550	RMD253	
RBR150203-130	RBR	1.500	2.030	0.130	0.140	RBC002	
RBR150206-125	RBR	1.500	2.063	0.125	0.140		
EUPI150210-437B	EUP	1.500	2.109	0.437	0.462	R09144	L308
HBT150211-235	HBT	1.500	2.110	0.235	0.250	R30232	
EUPI150212-284B	EUP	1.500	2.125	0.284	0.312	R00089	MU22
EUPI150212-312B	EUP	1.500	2.125	0.312	0.343	RMD403	
EUPI150212-312A	EUP	1.500	2.125	0.312	0.343	R55864A	
SURI150212-312	SUR	1.500	2.125	0.312	0.343	R00300	SU27
EUPI150212-375A	EUP	1.500	2.125	0.312	0.413	R55864	
EUPI150212-375B	EUP	1.500	2.125	0.375	0.413	RMD405	
GUPI150212-375	GUP	1.500	2.125	0.375	0.413	RMD1226	
R97I150212-375	R97	1.500	2.125	0.375	0.413	R55066	
R97I150212-397	R97	1.500	2.125	0.397	0.437	R30329	
EUPI150212-402B	EUP	1.500	2.125	0.402	0.442	R00020	L22
SRII150212-413	SRI	1.500	2.125	0.413	0.437	R30550	
SRFI150212-437	SRF	1.500	2.125	0.437	0.457	R86806	NS22
EUPI150212-437B	EUP	1.500	2.125	0.437	0.480	RMD1227	
EUPI150212-500B	EUP	1.500	2.125	0.500	0.550	RMD406	
GUPI150212-500	GUP	1.500	2.125	0.500	0.550	RMD1228	
GURI150218-250	GUR	1.500	2.187	0.250	0.313		
EUPI150225-375A	EUP	1.500	2.250	0.375	0.413	RMD514A	
EUPI150225-375B	EUP	1.500	2.250	0.375	0.413	RMD514	
EUPI150225-500B	EUP	1.500	2.250	0.500	0.550	RMD515	
EUPI150225-625B	EUP	1.500	2.250	0.625	0.687	R30061	
EUPI150237-437A	EUP	1.500	2.375	0.437	0.480	RMD1343A	
EUPI150237-437B	EUP	1.500	2.375	0.437	0.480	RMD1343	

PART N°	PROFILE	HOUSING DIMENSIONS				REFERENCE N°	ALTERNATIVE REFERENCE N°
		Ød	ØD	SH	L1		
EUPI150250-500A	EUP	1.500	2.500	0.500	0.550	RMD702A	
EUPI150250-500B	EUP	1.500	2.500	0.500	0.550	RMD702	
EUPI156181-312A	EUP	1.562	1.812	0.125	0.138	RMD051A	
EUPI156181-312B	EUP	1.562	1.812	0.125	0.138	RMD051	
EUPI156193-187A	EUP	1.562	1.937	0.187	0.212	RMD1074A	
EUPI156193-187B	EUP	1.562	1.937	0.187	0.212	RMD1074	
DIUI156220-375	DIU	1.562	2.203	0.375	0.437	RF5275	
GURI156231-375	GUR	1.562	2.312	0.375	0.438		
GURI156243-375	GUR	1.562	2.437	0.375	0.438		
EUPI162187-125A	EUP	1.625	1.875	0.125	0.138	RMD057A	
EUPI162187-125B	EUP	1.625	1.875	0.125	0.138	RMD057	
EUPI162187-250A	EUP	1.625	1.875	0.250	0.275	R30063A	
EUPI162187-250B	EUP	1.625	1.875	0.250	0.275	R30063	
TRRI162199-280	TRR	1.625	1.996	0.280	0.280		
EUPI162200-187B	EUP	1.625	2.000	0.187	0.212	RMD140	
GUPI162200-187	GUP	1.625	2.000	0.187	0.212	RMD1075	
EUPI162200-187A	EUP	1.625	2.000	0.187	0.212	R45928	
SURI162200-187	SUR	1.625	2.000	0.187	0.218	RF5045	
GURI162200-187	GUR	1.625	2.000	0.187	0.250		
DIUI162200-210	DIU	1.625	2.000	0.219	0.281	R89309	
EUPI162200-250B	EUP	1.625	2.000	0.250	0.275	RMD141	
GUPI162200-250	GUP	1.625	2.000	0.250	0.275	RMD1076	
SRII162200-275	SRI	1.625	2.000	0.260	0.281	R30551	
R97I162200-281	R97	1.625	2.000	0.281	0.312	R30331	
EUPI162200-312B	EUP	1.625	2.000	0.312	0.343	RMD142	
GUPI162200-312	GUP	1.625	2.000	0.312	0.343	RMD1077	
R97I162200-312	R97	1.625	2.000	0.312	0.344	R30332	
EUPI162200-375B	EUP	1.625	2.000	0.375	0.413	RMD143	
GUPI162200-375	GUP	1.625	2.000	0.375	0.413	RMD1078	
EUPI162212-250A	EUP	1.625	2.125	0.250	0.275	R30064A	
EUPI162212-250B	EUP	1.625	2.125	0.250	0.275	R30064	
EUPI162212-375B	EUP	1.625	2.125	0.375	0.413	RMD254	
R97I162212-375	R97	1.625	2.125	0.375	0.413	R51948	
RBR163219-125	RBR	1.625	2.187	0.125	0.140		
EUPI162225-284B	EUP	1.625	2.250	0.284	0.312	R00090	MU23
EUPI162225-312B	EUP	1.625	2.250	0.312	0.343	RMD1230	
EUPI162225-312A	EUP	1.625	2.250	0.312	0.343	RMD1229	
SURI162225-312	SUR	1.625	2.250	0.312	0.343	R00397	SU28
EUPI162225-375B	EUP	1.625	2.250	0.375	0.413	RMD408	
GUPI162225-375	GUP	1.625	2.250	0.375	0.413	RMD1231	
EUPI162225-402B	EUP	1.625	2.250	0.402	0.442	R00021	L23
SRFI162225-437	SRF	1.625	2.250	0.437	0.457	R30481	
EUPI162225-500B	EUP	1.625	2.250	0.500	0.550	RMD409	
EUPI162237-312B	EUP	1.625	2.375	0.312	0.343	RMD1270	
EUPI162237-375A	EUP	1.625	2.375	0.375	0.413		



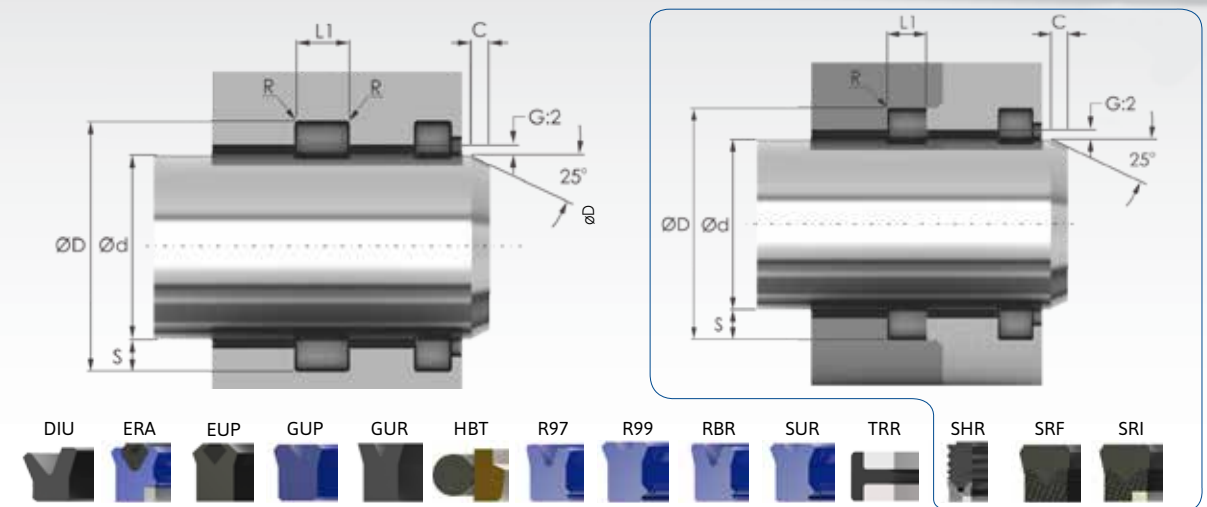
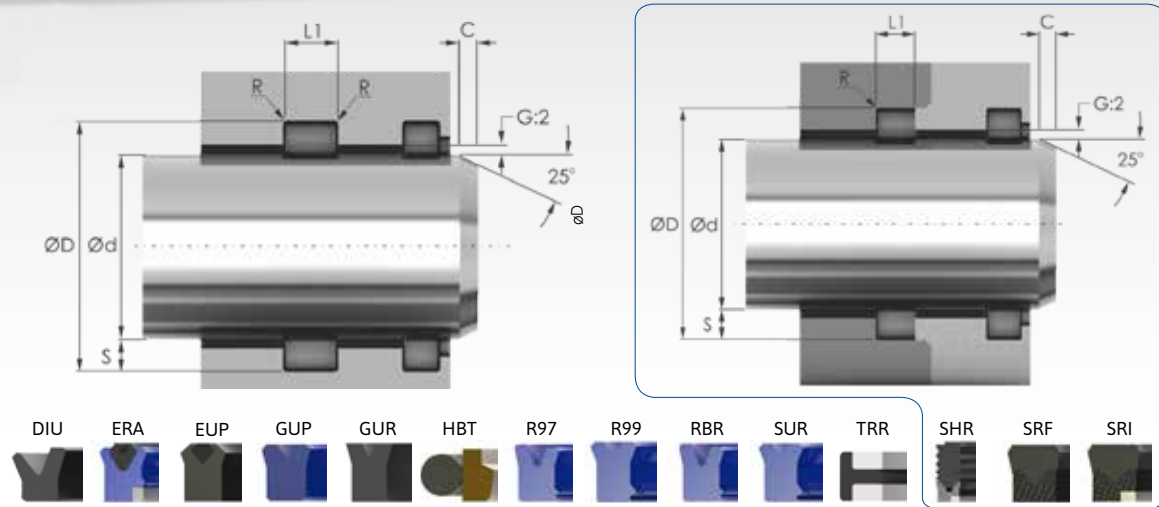
PART N°	PROFILE	HOUSING DIMENSIONS				REFERENCE N°	ALTERNATIVE REFERENCE N°
		Ød	ØD	SH	L1		
EUPI162237-375B	EUP	1.625	2.375	0.375	0.413	RMD517	
GURI162237-375	GUR	1.625	2.375	0.375	0.438		
EUPI162237-562B	EUP	1.625	2.375	0.562	0.587	R09146	L382
EUPI162237-625B	EUP	1.625	2.375	0.625	0.650	RMD518	
EUPI162250-625B	EUP	1.625	2.500	0.625	0.650	R09148	L353
EUPI168193-125A	EUP	1.687	1.937	0.125	0.150	RMD053A	
EUPI168193-125B	EUP	1.687	1.937	0.125	0.150	RMD053	
EUPI168206-187A	EUP	1.687	2.062	0.187	0.212	RMD144A	
EUPI168206-187B	EUP	1.687	2.062	0.187	0.212	RMD144	
DIUI168212-375	DIU	1.687	2.125	0.375	0.437	RF5276	
EUPI168231-312A	EUP	1.687	2.312	0.312	0.343	RMD1232	
GURI168256-375	GUR	1.687	2.562	0.375	0.437		
EUPI173211-290B	EUP	1.732	2.113	0.290	0.315		
EUPI175200-125A	EUP	1.750	2.000	0.125	0.138	RMD1011A	
EUPI175200-125B	EUP	1.750	2.000	0.125	0.138	RMD1011	
EUPI175200-187A	EUP	1.750	2.000	0.187	0.212	RMD054A	
EUPI175200-187B	EUP	1.750	2.000	0.187	0.212	RMD054	
EUPI175200-250A	EUP	1.750	2.000	0.250	0.275	RMD055A	
EUPI175200-250B	EUP	1.750	2.000	0.250	0.275	RMD055	
R97I175200-250	R97	1.750	2.000	0.250	0.275	R30334	
HBTI175204-120	HBT	1.750	2.048	0.120	0.126		
TRRI175212-280	TRR	1.750	2.121	0.280	0.280		
EUPI175212-187A	EUP	1.750	2.125	0.187	0.207	R09074A	
EUPI175212-187B	EUP	1.750	2.125	0.187	0.207	R09074	MU584
SURI175212-187	SUR	1.750	2.125	0.187	0.218		
SRII175212-245	SRI	1.750	2.125	0.245	0.281	R30552	
EUPI175212-250B	EUP	1.750	2.125	0.250	0.275	RMD145	
GUPI175212-250	GUP	1.750	2.125	0.250	0.275	RMD1079	
R97I175212-250	R97	1.750	2.125	0.250	0.275	R30335	
ERAI175212-250	ERA	1.750	2.125	0.250	0.275	R30005	
SRII175212-280	SRI	1.750	2.125	0.280	0.300	R30553	
EUPI175212-287B	EUP	1.750	2.125	0.287	0.312	R09150	
EUPI175212-312A	EUP	1.750	2.125	0.312	0.343	RMD149A	
EUPI175212-312B	EUP	1.750	2.125	0.312	0.343	RMD149	
GUPI175212-312	GUP	1.750	2.125	0.312	0.343	R30876	
R99I175212-312	R99	1.750	2.125	0.312	0.344		
R97I175212-312	R97	1.750	2.125	0.312	0.344	R30336	
EUPI175212-375B	EUP	1.750	2.125	0.375	0.413	RMD146	
GUPI175212-375	GUP	1.750	2.125	0.375	0.413	RMD1080	
R97I175212-375	R97	1.750	2.125	0.375	0.413	R30337	
ERAI175212-375	ERA	1.750	2.125	0.375	0.413	R30006	
HBTI175217-159	HBT	1.750	2.171	0.159	0.165	R30234	
EUPI175218-375B	EUP	1.750	2.187	0.375	0.413	RMD1114	
R97I175225-250	R97	1.750	2.250	0.250	0.275	R30338	
GUPI175225-250	GUP	1.750	2.250	0.250	0.275	R30196	

PART N°	PROFILE	HOUSING DIMENSIONS				REFERENCE N°	ALTERNATIVE REFERENCE N°
		Ød	ØD	SH	L1		
EUPI175225-250A	EUP	1.750	2.250	0.250	0.275	R09152A	
EUPI175225-250B	EUP	1.750	2.250	0.250	0.275	R09152	MU538
SURI175225-285	SUR	1.750	2.250	0.285	0.313	RF5158	
GUPI175225-312	GUP	1.750	2.250	0.312	0.343	RMD1144	
EUPI175225-312B	EUP	1.750	2.250	0.312	0.343	RMD1143	
GURI175225-312	GUR	1.750	2.250	0.312	0.375		
DIUI175225-312	DIU	1.750	2.250	0.312	0.375	R15262	
SRII175225-355	SRI	1.750	2.250	0.355	0.375	R30554	
EUPI175225-355B	EUP	1.750	2.250	0.355	0.413	R09151	L301
R97I175225-370R	R97	1.750	2.250	0.370	0.407		
EUPI175225-375A	EUP	1.750	2.250	0.375	0.413	RMV036	
EUPI175225-375B	EUP	1.750	2.250	0.375	0.413	RMD1145	
R97I175225-375	R97	1.750	2.250	0.375	0.413	R30340	
GUPI175225-375	GUP	1.750	2.250	0.375	0.413	R30197	
ERAI175225-375	ERA	1.750	2.250	0.375	0.413	R30007	
SRII175225-468	SRI	1.750	2.250	0.437	0.468	RK2925	
R97I175225-500	R97	1.750	2.250	0.500	0.550	R30341	
RBRI175228-130	RBR	1.750	2.280	0.130	0.140	RBC003	
RBRI175231-125	RBR	1.750	2.313	0.125	0.140		
HBTI175236-235	HBT	1.750	2.360	0.235	0.250	R30235	
GUPI175237-266	GUP	1.750	2.375	0.266	0.312	R30198	
EUPI175237-283B	EUP	1.750	2.375	0.283	0.317	R09665	MU610
EUPI175237-284B	EUP	1.750	2.375	0.284	0.312	R00091	MU24
EUPI175237-312B	EUP	1.750	2.375	0.312	0.343	RMD1234	
EUPI175237-312A	EUP	1.750	2.375	0.312	0.343	RMD1233	
SURI175237-312	SUR	1.750	2.375	0.312	0.343	R00398	SU29
EUPI175237-375B	EUP	1.750	2.375	0.375	0.413	RMD412	
EUPI175237-402B	EUP	1.750	2.375	0.402	0.442	R00022	L24
SRII175237-413	SRI	1.750	2.375	0.413	0.437	R30555	
SRFI175237-437	SRF	1.750	2.375	0.437	0.457	R30484	
R97I175237-437	R97	1.750	2.375	0.437	0.481	R30342	
EUPI175237-500B	EUP	1.750	2.375	0.500	0.550	R30066	
EUPI175237-562B	EUP	1.750	2.375	0.562	0.619	RMD411	
GUPI175237-562	GUP	1.750	2.375	0.562	0.619	R30199	
RBRI175239-130	RBR	1.750	2.390	0.210	0.220		
RBRI175240-200	RBR	1.750	2.400	0.200	0.220		
EUPI175250-375A	EUP	1.750	2.500	0.375	0.413	RMD519A	
EUPI175250-375B	EUP	1.750	2.500	0.375	0.413	RMD519	
GUPI175250-375	GUP	1.750	2.500	0.375	0.413	RMD1271	
SRII175250-500	SRI	1.750	2.500	0.437	0.500	RK2926	
EUPI175250-500B	EUP	1.750	2.500	0.500	0.550	RMD520	
EUPI175250-625A	EUP	1.750	2.500	0.625	0.687	RMD521A	
EUPI175250-625B	EUP	1.750	2.500	0.625	0.687	RMD521	
GURI175262-437	GUR	1.750	2.625	0.437	0.500		
EUPI175275-500A	EUP	1.750	2.750	0.500	0.550	RMD703A	



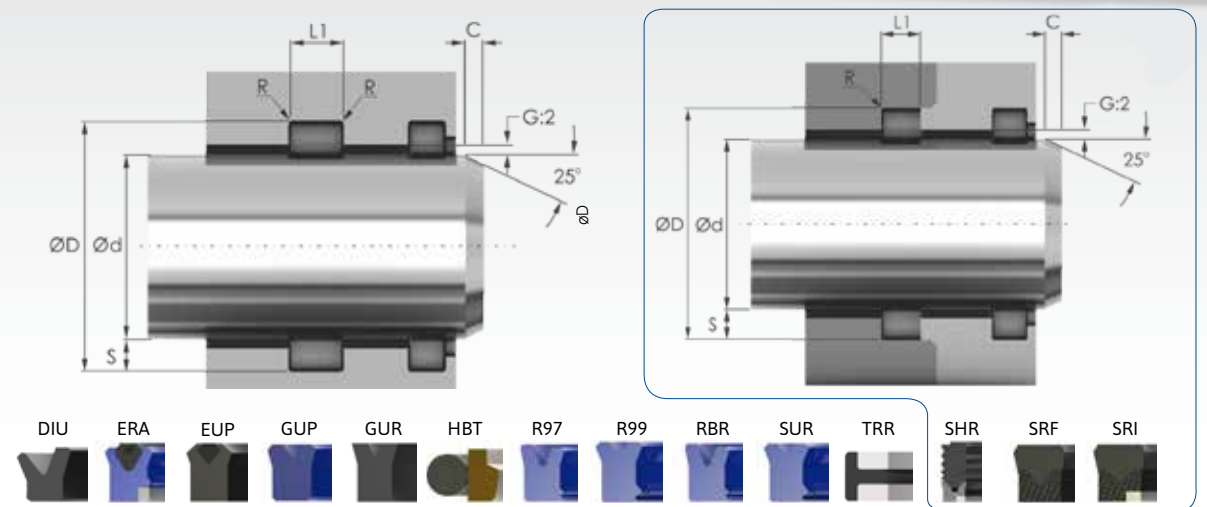
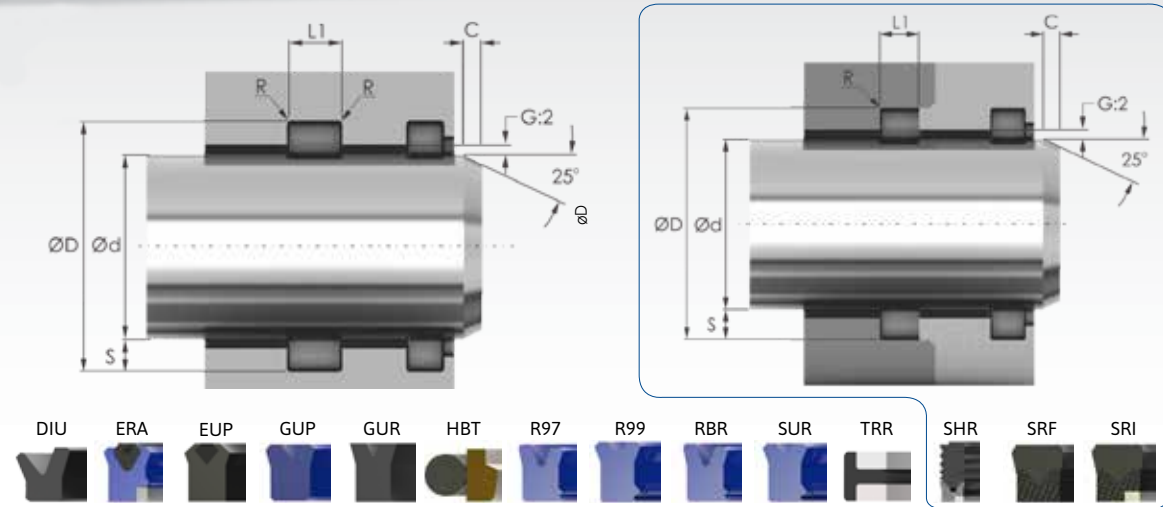
PART N°	PROFILE	HOUSING DIMENSIONS				REFERENCE N°	ALTERNATIVE REFERENCE N°
		Ød	ØD	SH	L1		
EUPI175275-500B	EUP	1.750	2.750	0.500	0.550	RMD703	
EUPI175275-750B	EUP	1.750	2.750	0.750	0.825	RMD704	
EUPI175275-1000B	EUP	1.750	2.750	1.000	1.025	R09153	L306
EUPI175300-625A	EUP	1.750	3.000	0.625	0.650	RMD832A	
EUPI175300-625B	EUP	1.750	3.000	0.625	0.650	RMD832	
EUPI175300-750B	EUP	1.750	3.000	0.750	0.775	R09154	L356
EUPI175325-875B	EUP	1.750	3.250	0.875	0.900	R09155	L355
DIUI181237-375	DIU	1.812	2.375	0.375	0.437	RF5277	
GURI181268-375	GUR	1.812	2.687	0.375	0.437		
EUPI187212-125A	EUP	1.875	2.125	0.125	0.138	RMD087A	
EUPI187212-125B	EUP	1.875	2.125	0.125	0.138	RMD087	
EUPI187212-187B	EUP	1.875	2.125	0.187	0.212	R30067	
EUPI187212-250B	EUP	1.875	2.125	0.250	0.275	R30068	
TRRI187224-280	TRR	1.875	2.246	0.280	0.280		
RBR187225-130	RBR	1.875	2.250	0.130	0.140	RBC004	
EUPI187225-187A	EUP	1.875	2.250	0.187	0.212	R30069A	
EUPI187225-187B	EUP	1.875	2.250	0.187	0.212	R30069	
SURI187225-187	SUR	1.875	2.250	0.187	0.218	RF5050	
EUPI187225-312B	EUP	1.875	2.250	0.312	0.344	RMD1081	
EUPI187225-375B	EUP	1.875	2.250	0.375	0.413	R30070	
HBT187229-159	HBT	1.875	2.299	0.159	0.165		
EUPI187237-250A	EUP	1.875	2.375	0.250	0.275	RMD256A	
EUPI187237-250B	EUP	1.875	2.375	0.250	0.275	RMD256	
EUPI187237-375B	EUP	1.875	2.375	0.375	0.413	RMD257	
SURI187250-187	SUR	1.875	2.500	0.187	0.212	R00400	
EUPI187250-284B	EUP	1.875	2.500	0.284	0.312	R00092	MU25
GURI187250-312	GUR	1.875	2.500	0.312	0.343		
SURI187250-312V	SUR	1.875	2.500	0.312	0.343		
EUPI187250-312A	EUP	1.875	2.500	0.312	0.343	RMD417A	
EUPI187250-312B	EUP	1.875	2.500	0.312	0.343	RMD417	
SURI187250-312	SUR	1.875	2.500	0.312	0.343	R00399	SU30
EUPI187250-375B	EUP	1.875	2.500	0.370	0.413	RMD415	
GUPI187250-375	GUP	1.875	2.500	0.375	0.413	R30882	
DIUI187250-375	DIU	1.875	2.500	0.375	0.437	R58487	
R97187250-397	R97	1.875	2.500	0.397	0.437	R30345	
EUPI187250-402B	EUP	1.875	2.500	0.402	0.442	R00023	L25
SRFI187250-437	SRF	1.875	2.500	0.437	0.457	R30485	
EUPI187250-500B	EUP	1.875	2.500	0.500	0.550	RMD416	
GUPI187250-500	GUP	1.875	2.500	0.500	0.550	RMD1235	
EUPI187262-375A	EUP	1.875	2.625	0.375	0.413	RMD953A	
EUPI187262-375B	EUP	1.875	2.625	0.375	0.413	RMD953	
EUPI187300-625B	EUP	1.875	3.000	0.625	0.650	R09158	L354
SURI193237-219	SUR	1.937	2.375	0.219	0.250	RF5051	
EUPI193256-312A	EUP	1.937	2.562	0.312	0.343	RMD1236A	
EUPI193256-312B	EUP	1.937	2.562	0.312	0.343	RMD1236	

PART N°	PROFILE	HOUSING DIMENSIONS				REFERENCE N°	ALTERNATIVE REFERENCE N°
		Ød	ØD	SH	L1		
DIUI193262-375	DIU	1.937	2.625	0.375	0.437	RF5278	
GURI193275-375	GUR	1.937	2.750	0.375	0.438		
EUPI198235-703B	EUP	1.980	2.359	0.703	0.735	R09159	L362
SRII198237-340	SRI	1.984	2.375	0.340	0.360	R30558	
EUPI200225-125A	EUP	2.000	2.250	0.125	0.138	RMD060A	
EUPI200225-125B	EUP	2.000	2.250	0.125	0.138	RMD060	
EUPI200225-187B	EUP	2.000	2.250	0.187	0.212	R30071	
EUPI200225-250B	EUP	2.000	2.250	0.250	0.275	RMD058	
R97I200225-250	R97	2.000	2.250	0.250	0.275	R30346	
EUPI200231-156A	EUP	2.000	2.312	0.156	0.172	RMD1045A	
EUPI200231-156B	EUP	2.000	2.312	0.156	0.172	RMD1045	
SRII200231-250	SRI	2.000	2.312	0.230	0.250	RK2927	
TRRI200237-280	TRR	2.000	2.371	0.280	0.280		
EUPI200238-187A	EUP	2.000	2.375	0.187	0.212	RMD152A	
EUPI200237-187B	EUP	2.000	2.375	0.187	0.207	R09072	MU577
EUPI200238-187B	EUP	2.000	2.375	0.187	0.212	RMD152	
GUPI200237-187	GUP	2.000	2.375	0.187	0.212	RMD1082	
SURI200237-187	SUR	2.000	2.375	0.187	0.218	RF5159	
GURI200237-198	GUR	2.000	2.375	0.198	0.250		
EUPI200237-250B	EUP	2.000	2.375	0.250	0.275	RMD153	
R97I200237-250	R97	2.000	2.375	0.250	0.275	RMD1083	
EUPI200237-312B	EUP	2.000	2.375	0.312	0.343	R30072	
R99I200237-312	R99	2.000	2.375	0.312	0.344		
R97I200237-312	R97	2.000	2.375	0.312	0.344	R30347	
EUPI200237-375B	EUP	2.000	2.375	0.375	0.413	RMD154	
GUPI200237-375	GUP	2.000	2.375	0.375	0.413	RMD1084	
R97I200237-375	R97	2.000	2.375	0.375	0.413	R30348	
ERA1200237-375	ERA	2.000	2.375	0.375	0.413	R30008	
HBTI200242-159	HBT	2.000	2.421	0.159	0.165	R30236	
GURI200243-312	GUR	2.000	2.437	0.312	0.375		
EUPI200250-250B	EUP	2.000	2.500	0.250	0.275	RMD259	
GUPI200250-250	GUP	2.000	2.500	0.250	0.275	RMD1146	
R97I200250-250	R97	2.000	2.500	0.250	0.275	R30349	
EUPI200250-250A	EUP	2.000	2.500	0.250	0.275	R09161A	
GUPI200250-312	GUP	2.000	2.500	0.312	0.343	RMD1148	
EUPI200250-312B	EUP	2.000	2.500	0.312	0.343	RMD1147	
R97I200250-312	R97	2.000	2.500	0.312	0.344	R30350	
R97I200250-341	R97	2.000	2.500	0.341	0.375	R30351	
SRII200250-355	SRI	2.000	2.500	0.355	0.375	R30559	
EUPI200250-375B	EUP	2.000	2.500	0.375	0.413	RMD261	
R97I200250-375	R97	2.000	2.500	0.375	0.413	R30352	
GUPI200250-375	GUP	2.000	2.500	0.375	0.413	R30202	
ERA1200250-375	ERA	2.000	2.500	0.375	0.413	R30009	
EUPI200250-500B	EUP	2.000	2.500	0.500	0.550	RMD260	
R97I200250-781	R97	2.000	2.500	0.781	0.860	R30353	



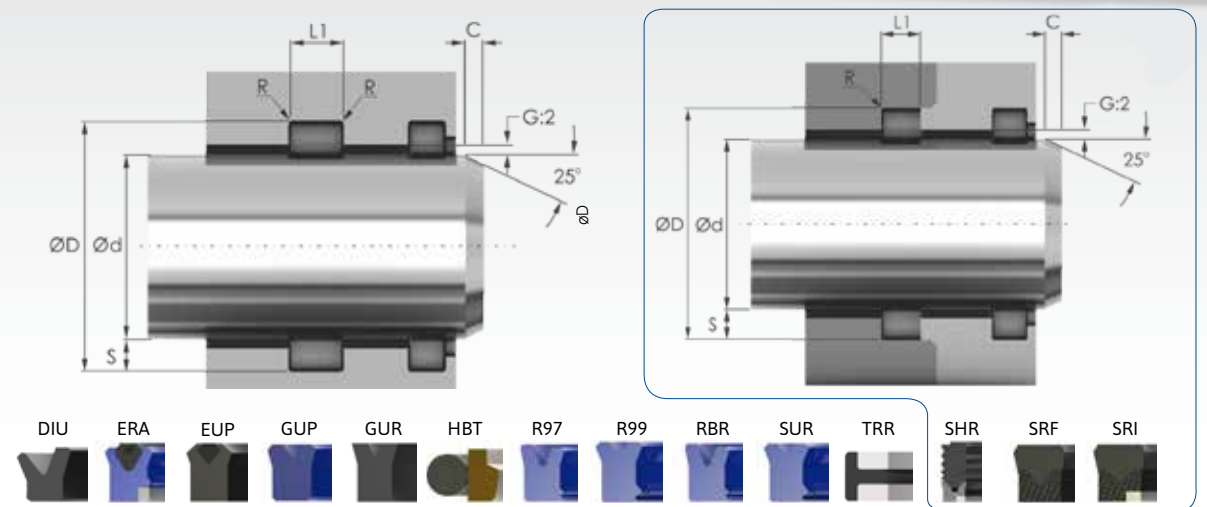
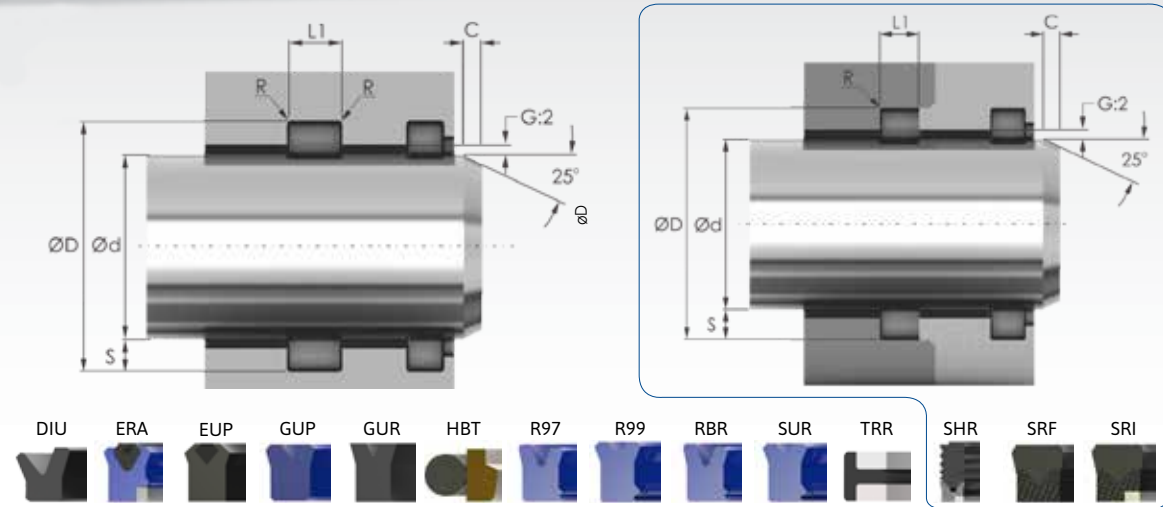
PART N°	PROFILE	HOUSING DIMENSIONS				REFERENCE N°	ALTERNATIVE REFERENCE N°
		Ød	ØD	SH	L1		
HBTI200253-125	HBT	2.000	2.530	0.125	0.140		
RBRI200253-130	RBR	2.000	2.530	0.130	0.140	RBC005	
RBRI200256-125	RBR	2.000	2.563	0.125	0.234		
HBTI200261-235	HBT	2.000	2.610	0.235	0.250	R30237	
EUPI200262-284B	EUP	2.000	2.625	0.284	0.312	R00093	MU26
EUPI200262-312A	EUP	2.000	2.625	0.312	0.343	RMD1237A	
EUPI200262-312B	EUP	2.000	2.625	0.312	0.343	RMD1237	
SURI200262-312	SUR	2.000	2.625	0.312	0.343	R00453	SU31
EUPI200262-375B	EUP	2.000	2.625	0.375	0.413	RMD419	
R97I200262-397	R97	2.000	2.625	0.397	0.437	R30355	
EUPI200262-402B	EUP	2.000	2.625	0.402	0.442	R00024	L26
SRII200262-413	SRI	2.000	2.625	0.413	0.437	R30560	
SRFI200262-437	SRF	2.000	2.625	0.437	0.457	R30486	
R97I200262-437	R97	2.000	2.625	0.437	0.480	RMD1238	
EUPI200262-500B	EUP	2.000	2.625	0.500	0.550	RMD420	
GUPI200262-500	GUP	2.000	2.625	0.500	0.550	RMD1240	
EUPI200262-500A	EUP	2.000	2.625	0.500	0.550	RMD1239	
EUPI200262-562B	EUP	2.000	2.625	0.562	0.619	RMD954	
GUPI200262-562	GUP	2.000	2.625	0.562	0.619	R30204	
EUPI200275-341B	EUP	2.000	2.750	0.341	0.375	R00094	MU27
EUPI200275-375A	EUP	2.000	2.750	0.375	0.413	RMD524A	
EUPI200275-375B	EUP	2.000	2.750	0.375	0.413	RMD524	
EUPI200275-500B	EUP	2.000	2.750	0.500	0.550	RMD525	
SRII200275-562	SRI	2.000	2.750	0.500	0.562	RK2928	
EUPI200275-515B	EUP	2.000	2.750	0.515	0.567	R00025	L27
SRFI200275-562	SRF	2.000	2.750	0.562	0.582	R30487	
EUPI200275-625B	EUP	2.000	2.750	0.625	0.687	RMD526	
EUPI200275-875B	EUP	2.000	2.750	0.875	0.900	R09162	L327
GURI200287-375	GUR	2.000	2.875	0.375	0.437		
DIUI200287-437	DIU	2.000	2.875	0.437	0.500	R56116	
EUPI200300-500A	EUP	2.000	3.000	0.500	0.550	RMD706A	
EUPI200300-500B	EUP	2.000	3.000	0.500	0.550	RMD706	
EUPI200300-750B	EUP	2.000	3.000	0.750	0.825	R30073	
EUPI200325-625A	EUP	2.000	3.250	0.625	0.687	RMD1385A	
EUPI200325-625B	EUP	2.000	3.250	0.625	0.687	RMD1385	
GURI206281-375	GUR	2.062	2.812	0.375	0.438		
EUPI212237-125A	EUP	2.125	2.375	0.125	0.150	RMD059A	
EUPI212237-125B	EUP	2.125	2.375	0.125	0.150	RMD059	
EUPI212237-250B	EUP	2.125	2.375	0.250	0.275	RMD1028	
TRRI212249-280	TRR	2.125	2.496	0.280	0.280		
EUPI212250-187A	EUP	2.125	2.500	0.187	0.212	R30074A	
EUPI212250-187B	EUP	2.125	2.500	0.187	0.212	R30074	
SURI212250-187	SUR	2.125	2.500	0.187	0.218	RF5055	
EUPI212250-250B	EUP	2.125	2.500	0.250	0.275	RMD158	
SRII212250-295	SRI	2.125	2.500	0.295	0.312	R30561	

PART N°	PROFILE	HOUSING DIMENSIONS				REFERENCE N°	ALTERNATIVE REFERENCE N°
		Ød	ØD	SH	L1		
EUPI212250-312B	EUP	2.125	2.500	0.312	0.343	RMD1454	
EUPI212250-375A	EUP	2.125	2.500	0.375	0.400	RMD1003A	
EUPI212250-375B	EUP	2.125	2.500	0.375	0.400	RMD1003	
R97I212250-375	R97	2.125	2.500	0.375	0.413	R30358	
EUPI212250-375B	EUP	2.125	2.500	0.375	0.413	R30075	
EUPI212262-250A	EUP	2.125	2.625	0.250	0.275	R30076A	
EUPI212262-250B	EUP	2.125	2.625	0.250	0.275	R30076	
SRFI212262-375	SRF	2.125	2.625	0.375	0.413		
EUPI212262-375B	EUP	2.125	2.625	0.375	0.413	RMD263	
GUPI212262-375	GUP	2.125	2.625	0.375	0.413	R30206	
ERAI212262-375	ERA	2.125	2.625	0.375	0.413	R30010	
GUPI212275-312	GUP	2.125	2.750	0.312	0.343	RMD1241	
SURI212275-312	SUR	2.125	2.750	0.312	0.343	R00454	SU32
EUPI212275-312A	EUP	2.125	2.750	0.312	0.344	R09163A	
EUPI212275-312B	EUP	2.125	2.750	0.312	0.344	R09163	MU523
DIUI212275-375	DIU	2.125	2.750	0.375	0.437	RF5279	
EUPI212275-500B	EUP	2.125	2.750	0.500	0.550	R30077	
RBRI213277-200	RBR	2.125	2.770	0.200	0.234		
RBRI212277-210	RBR	2.125	2.770	0.210	0.220	RBC006	
EUPI212287-341B	EUP	2.125	2.875	0.341	0.375	R00095	MU28
EUPI212287-375A	EUP	2.125	2.875	0.375	0.400	RMD528A	
EUPI212287-375B	EUP	2.125	2.875	0.375	0.400	RMD528	
EUPI212287-515B	EUP	2.125	2.875	0.515	0.567	R00026	L28
EUPI212287-625A	EUP	2.125	2.875	0.625	0.687		
GURI212293-375	GUR	2.125	2.937	0.375	0.438		
GURI218300-375	GUR	2.187	3.000	0.375	0.438		
EUPI225250-125A	EUP	2.250	2.500	0.125	0.138	R30080A	
EUPI225250-125B	EUP	2.250	2.500	0.125	0.138	R30080	
GUPI225250-250	GUP	2.250	2.500	0.250	0.275	RMD1030	
EUPI225250-250B	EUP	2.250	2.500	0.250	0.275	RMD1029	
EUPI225250-375A	EUP	2.250	2.500	0.375	0.413	RMD063A	
EUPI225250-375B	EUP	2.250	2.500	0.375	0.413	RMD063	
TRRI225262-280	TRR	2.250	2.612	0.280	0.280		
EUPI225262-187A	EUP	2.250	2.625	0.187	0.212	RMD162A	
EUPI225262-187B	EUP	2.250	2.625	0.187	0.212	RMD162	
R97I225262-187	R97	2.250	2.625	0.187	0.212	R30877	
SURI225262-187	SUR	2.250	2.625	0.187	0.218	RF5058	
EUPI225262-250B	EUP	2.250	2.625	0.250	0.275	RMD163	
EUPI225262-312B	EUP	2.250	2.625	0.312	0.343	RMD164	
R97I225262-335	R97	2.250	2.625	0.335	0.369	R30359	
EUPI225262-375B	EUP	2.250	2.625	0.375	0.413	RMD165	
HBTI225267-159	HBT	2.250	2.674	0.159	0.165		
EUPI225275-250A	EUP	2.250	2.750	0.250	0.275	R30081A	
EUPI225275-250B	EUP	2.250	2.750	0.250	0.275	R30081	
EUPI225275-312B	EUP	2.250	2.750	0.312	0.343	RMD1149	



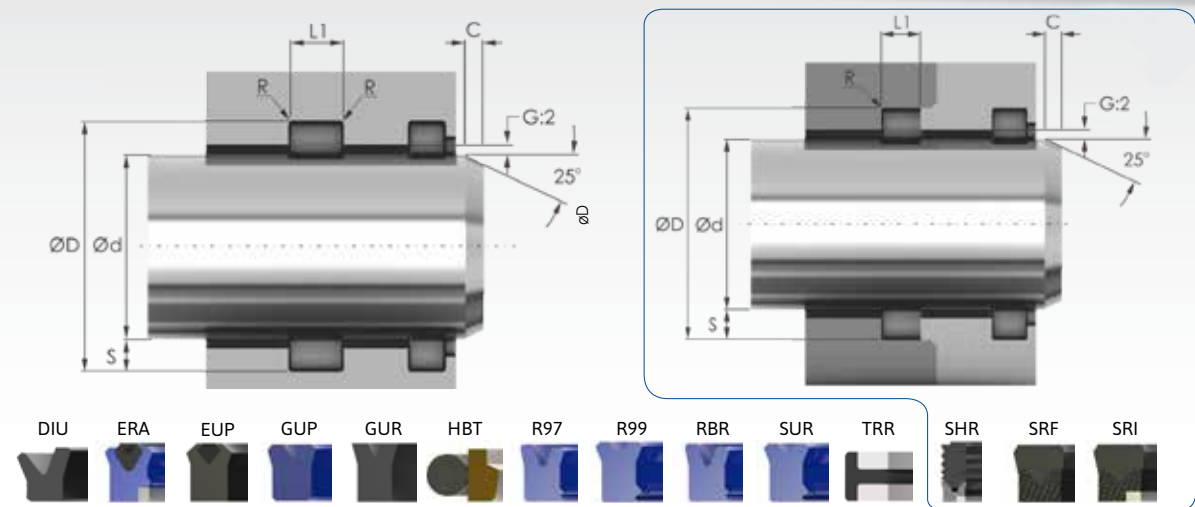
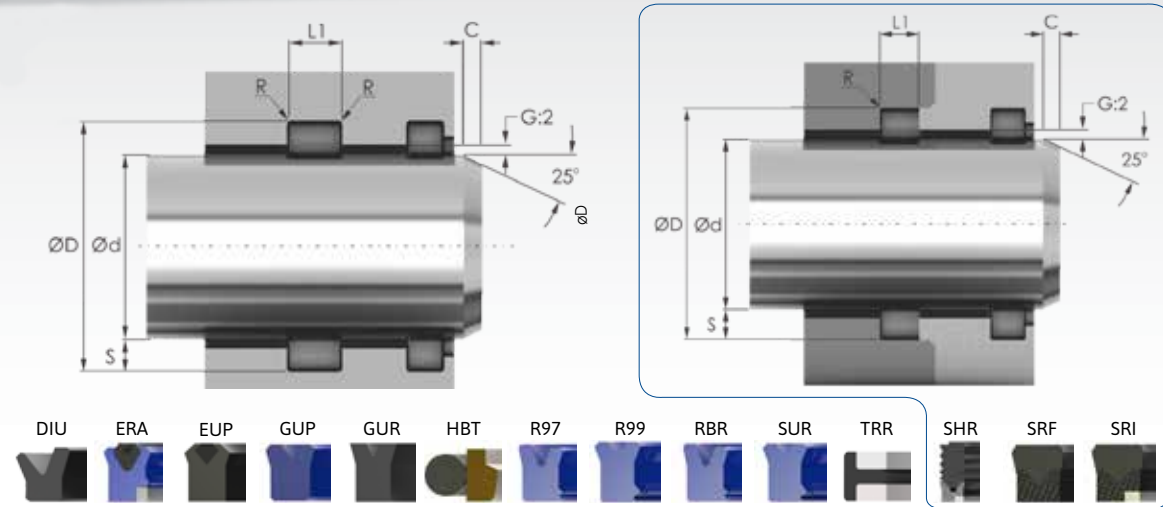
PART N°	PROFILE	HOUSING DIMENSIONS				REFERENCE N°	ALTERNATIVE REFERENCE N°
		Ød	ØD	SH	L1		
DIUI225275-312	DIU	2.250	2.750	0.312	0.375	RF5280	
SRII225275-355	SRI	2.250	2.750	0.355	0.375	R30563	
EUI225275-375A	EUP	2.250	2.750	0.375	0.413	RMD265A	
EUI225275-375B	EUP	2.250	2.750	0.375	0.413	RMD265	
R97I225275-375	R97	2.250	2.750	0.375	0.413	R89099	
GUPI225275-375	GUP	2.250	2.750	0.375	0.413	R30207	
ERAI225275-375	ERA	2.250	2.750	0.375	0.413	R30011	
HBTI225286-235	HBT	2.250	2.860	0.235	0.250		
EUI225287-312B	EUP	2.250	2.875	0.312	0.343	RMD1242	
EUI225287-312A	EUP	2.250	2.875	0.312	0.343	R30082A	
SURI225287-312	SUR	2.250	2.875	0.312	0.343	R00455	SU33
EUI225287-375B	EUP	2.250	2.875	0.375	0.400		
EUI225287-500B	EUP	2.250	2.875	0.500	0.550	R09165	MU567
RBR225289-210	RBR	2.250	2.890	0.210	0.220	RBC007	
RBR225294-187	RBR	2.250	2.938	0.187	0.234		
EUI225300-341B	EUP	2.250	3.000	0.341	0.375	R00096	MU29
SURI225300-375	SUR	2.250	3.000	0.375	0.406	RF5059	
GUPI225300-375	GUP	2.250	3.000	0.375	0.413	RMD1275	
EUI225300-375A	EUP	2.250	3.000	0.375	0.413	RMD1273	
GURI225300-375	GUR	2.250	3.000	0.375	0.438		
EUI225300-500B	EUP	2.250	3.000	0.500	0.550	RMD532	
R97I225300-511	R97	2.250	3.000	0.511	0.562	R30361	
EUI225300-515B	EUP	2.250	3.000	0.515	0.567	R00027	L29
SRFI225300-562	SRF	2.250	3.000	0.562	0.582	R30489	
EUI225300-625B	EUP	2.250	3.000	0.625	0.687	RMD533	
EUI225325-500A	EUP	2.250	3.250	0.500	0.550	RMD708A	
EUI225325-500B	EUP	2.250	3.250	0.500	0.550	RMD708	
SRII225325-875	SRI	2.250	3.250	0.850	0.875	RK2929	
EUI225325-1000B	EUP	2.250	3.250	1.000	1.025	R09166	L309
EUI225350-625A	EUP	2.250	3.500	0.625	0.687	RMD1386A	
EUI225350-625B	EUP	2.250	3.500	0.625	0.687	RMD1386	
EUI231256-125B	EUP	2.312	2.562	0.125	0.138	RMD955	
EUI237262-125A	EUP	2.375	2.625	0.125	0.138	RMD064A	
EUI237262-125B	EUP	2.375	2.625	0.125	0.138	RMD064	
EUI237262-187B	EUP	2.375	2.625	0.187	0.212	RMD1031	
TRRI237274-280	TRR	2.375	2.746	0.280	0.280		
EUI237275-187A	EUP	2.375	2.750	0.187	0.207	R09089A	
EUI237275-187B	EUP	2.375	2.750	0.187	0.207	R09089	L426
SURI237275-187	SUR	2.375	2.750	0.187	0.218	RF5061	
EUI237275-250B	EUP	2.375	2.750	0.250	0.275	RMD167	
R97I237275-375	R97	2.375	2.750	0.375	0.413	R88282	
EUI237275-375A	EUP	2.375	2.750	0.375	0.413	R30083A	
EUI237275-375B	EUP	2.375	2.750	0.375	0.413	R30083	
EUI237275-500B	EUP	2.375	2.750	0.500	0.550	RMD1085	
EUI237287-241B	EUP	2.375	2.875	0.241	0.265	R09171	MU558

PART N°	PROFILE	HOUSING DIMENSIONS				REFERENCE N°	ALTERNATIVE REFERENCE N°
		Ød	ØD	SH	L1		
EUI237287-250A	EUP	2.375	2.875	0.250	0.275	R30084A	
EUI237287-250B	EUP	2.375	2.875	0.250	0.275	R30084	
EUI237287-375B	EUP	2.375	2.875	0.375	0.413	RMD782	
R97I237287-375	R97	2.375	2.875	0.375	0.413	RMD1150	
EUI237300-312A	EUP	2.375	3.000	0.312	0.337	RMD426A	
EUI237300-312B	EUP	2.375	3.000	0.312	0.337	RMD426	
GUPI237300-312	GUP	2.375	3.000	0.312	0.343	R30208	
SURI237300-312	SUR	2.375	3.000	0.312	0.343	R00456	SU34
DIUI237300-312	DIU	2.375	3.000	0.312	0.375	RF5281	
GUPI237300-375	GUP	2.375	3.000	0.413	0.413	R30883	
EUI237300-500B	EUP	2.375	3.000	0.500	0.550	R09090	L427
EUI237300-562B	EUP	2.375	3.000	0.562	0.587	RMD425	
RBR237302-210	RBR	2.375	3.020	0.210	0.220	RBC008	
EUI237312-341B	EUP	2.375	3.125	0.341	0.375	R00097	MU30
GUPI237312-375	GUP	2.375	3.125	0.375	0.413	RMD1280	
EUI237312-375A	EUP	2.375	3.125	0.375	0.413	RMD1279A	
EUI237312-375B	EUP	2.375	3.125	0.375	0.413	RMD1279	
GURI237312-375	GUR	2.375	3.125	0.375	0.438		
EUI237312-515B	EUP	2.375	3.125	0.515	0.567	R00028	L30
EUI237312-625B	EUP	2.375	3.125	0.625	0.687	RMD534	
EUI237337-500A	EUP	2.375	3.375	0.500	0.550	RMD1350A	
EUI237337-500B	EUP	2.375	3.375	0.500	0.550	RMD1350	
GURI237337-500	GUR	2.375	3.375	0.500	0.562		
EUI237362-625A	EUP	2.375	3.625	0.625	0.687	RMD1387A	
EUI237362-625B	EUP	2.375	3.625	0.625	0.687	RMD1387	
EUI250275-125A	EUP	2.500	2.750	0.125	0.150	RMD066A	
EUI250275-125B	EUP	2.500	2.750	0.125	0.150	RMD066	
EUI250275-250B	EUP	2.500	2.750	0.250	0.275	RMD067	
GUPI250275-250	GUP	2.500	2.750	0.250	0.275	R30872	
EUI250275-375B	EUP	2.500	2.750	0.375	0.413	RMD951	
TRRI250287-280	TRR	2.500	2.871	0.280	0.280		
EUI250287-187A	EUP	2.500	2.875	0.187	0.207	R09172A	
EUI250287-187B	EUP	2.500	2.875	0.187	0.212	RMD1424	
GUPI250287-187	GUP	2.500	2.875	0.187	0.212	R46168	
SURI250287-187	SUR	2.500	2.875	0.187	0.218	RF5064	
EUI250287-250B	EUP	2.500	2.875	0.250	0.275	RMD171	
EUI250287-312B	EUP	2.500	2.875	0.312	0.343	RMD172	
R97I250287-312	R97	2.500	2.875	0.312	0.344	R30362	
EUI250287-375B	EUP	2.500	2.875	0.375	0.413	RMD173	
R97I250287-375	R97	2.500	2.875	0.375	0.413	R30363	
HBTI250292-159	HBT	2.500	2.921	0.159	0.165	R30238	
EUI250293-218B	EUP	2.500	2.937	0.218	0.240	RMD1116	
EUI250293-218A	EUP	2.500	2.937	0.218	0.240	RMD1115	
SURI250293-218	SUR	2.500	2.937	0.218	0.250	RF5065	
R97I250293-284	R97	2.500	2.937	0.284	0.312	R30364	



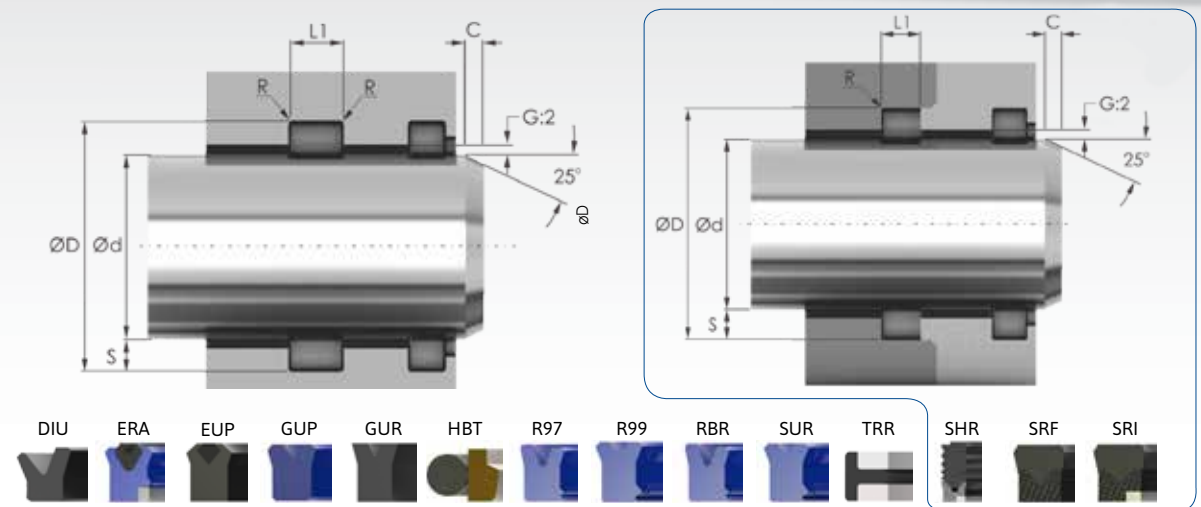
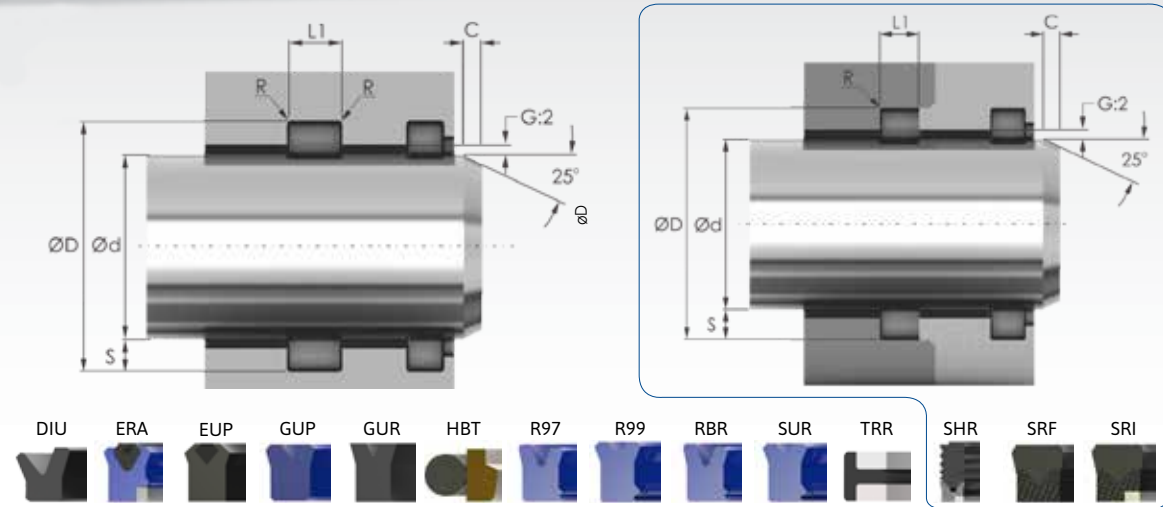
PART N°	PROFILE	HOUSING DIMENSIONS				REFERENCE N°	ALTERNATIVE REFERENCE N°
		Ød	ØD	SH	L1		
EUPI250300-250A	EUP	2.500	3.000	0.250	0.275		
EUPI250300-250B	EUP	2.500	3.000	0.250	0.275	RMD267	
R97I250300-250	R97	2.500	3.000	0.250	0.275	R30365	
R97I250300-284	R97	2.500	3.000	0.284	0.312	R30366	
SRII250300-295	SRI	2.500	3.000	0.295	0.312	R30566	
SRFI250300-312	SRF	2.500	3.000	0.312	0.332	R89046	
GUPI250300-312	GUP	2.500	3.000	0.312	0.343		
R97I250300-312	R97	2.500	3.000	0.312	0.343	R30879	
EUPI250300-312B	EUP	2.500	3.000	0.312	0.343	R30085	
DIUI250300-375	DIU	2.500	3.000	0.312	0.375	R55676	
EUPI250300-375A	EUP	2.500	3.000	0.375	0.413	RMD255A	
EUPI250300-375B	EUP	2.500	3.000	0.375	0.413	RMD255	
R97I250300-375	R97	2.500	3.000	0.375	0.413	R30367	
GUPI250300-375	GUP	2.500	3.000	0.375	0.413	R30209	
ERAI250300-375	ERA	2.500	3.000	0.375	0.413	R30013	
EUPI250300-500B	EUP	2.500	3.000	0.500	0.550	RMD269	
SRII250306-413	SRI	2.500	3.062	0.413	0.437	R30564	
HBTI250311-235	HBT	2.500	3.110	0.235	0.250	R30239	
RBR I250312-235	RBR	2.500	3.116	0.235	0.247		
GUPI250312-312	GUP	2.500	3.125	0.312	0.343	R30210	
SURI250312-312	SUR	2.500	3.125	0.312	0.343	R00457	SU35
EUPI250312-312A	EUP	2.500	3.125	0.312	0.344	R09175A	
EUPI250312-312B	EUP	2.500	3.125	0.312	0.344	R09175	MU511
GUPI250312-375	GUP	2.500	3.125	0.375	0.413	RMD1243	
EUPI250312-375B	EUP	2.500	3.125	0.375	0.413	R30086	
EUPI250312-437B	EUP	2.500	3.125	0.435	0.437	R09174	L336
EUPI250312-500B	EUP	2.500	3.125	0.500	0.550	RMD428	
GUPI250312-500	GUP	2.500	3.125	0.500	0.550	RMD1244	
R97I250312-500	R97	2.500	3.125	0.500	0.550	R56062	
EUPI250312-625B	EUP	2.500	3.125	0.625	0.687	RMD1245	
RBR I250314-210	RBR	2.500	3.140	0.210	0.220	RBC009	
RBR I250319-187	RBR	2.500	3.188	0.187	0.234		
EUPI250325-341B	EUP	2.500	3.250	0.341	0.375	R00098	MU31
GURI250325-375	GUR	2.500	3.250	0.375	0.400		
SURI250325-375	SUR	2.500	3.250	0.375	0.400	R00458	SU36
EUPI250325-375A	EUP	2.500	3.250	0.375	0.413	RMD536A	
EUPI250325-375B	EUP	2.500	3.250	0.375	0.413	RMD536	
EUPI250325-500B	EUP	2.500	3.250	0.500	0.550	RMD537	
EUPI250325-515B	EUP	2.500	3.250	0.515	0.567	R00029	L31
SRII250325-525	SRI	2.500	3.250	0.525	0.562	R30565	
SRFI250325-562	SRF	2.500	3.250	0.562	0.582	R30491	
R97I250325-562	R97	2.500	3.250	0.562	0.619	RMD1283	
EUPI250325-562B	EUP	2.500	3.250	0.562	0.619	RMD1282	
EUPI250325-625B	EUP	2.500	3.250	0.625	0.687	RMD539	
EUPI250325-750BM	EUP	2.500	3.250	0.750	0.825		

PART N°	PROFILE	HOUSING DIMENSIONS				REFERENCE N°	ALTERNATIVE REFERENCE N°
		Ød	ØD	SH	L1		
EUPI250337-437B	EUP	2.500	3.375	0.437	0.462	R09178	MU555
EUPI250337-625B	EUP	2.500	3.375	0.625	0.650	R09177	L389
EUPI250350-500A	EUP	2.500	3.500	0.500	0.550	RMD709A	MU525
EUPI250350-500B	EUP	2.500	3.500	0.500	0.550	RMD709	
EUPI250350-750A	EUP	2.500	3.500	0.750	0.825	RMD710A	
EUPI250350-750B	EUP	2.500	3.500	0.750	0.825	RMD710	
EUPI250375-625A	EUP	2.500	3.750	0.625	0.687	RMD1388A	
EUPI250375-625B	EUP	2.500	3.750	0.625	0.687	RMD1388	
SURI256300-218	SUR	2.562	3.000	0.218	0.250	RF5066	
EUPI262287-125A	EUP	2.625	2.875	0.125	0.138	RMD952A	
EUPI262287-125B	EUP	2.625	2.875	0.125	0.138	RMD952	
TRRI262299-280	TRR	2.625	2.996	0.280	0.280		
EUPI262300-187A	EUP	2.625	3.000	0.187	0.207	R09180A	
EUPI262300-187B	EUP	2.625	3.000	0.187	0.207	R09180	MU564
SURI262300-187	SUR	2.625	3.000	0.187	0.218		
EUPI262300-250B	EUP	2.625	3.000	0.250	0.275	RMD175	
GUPI262300-250	GUP	2.625	3.000	0.250	0.275	RMD1087	
EUPI262300-312B	EUP	2.625	3.000	0.312	0.343	R30087	
EUPI262300-375B	EUP	2.625	3.000	0.375	0.413	RMD176	
R97I262300-375	R97	2.625	3.000	0.375	0.413	R30369	
EUPI262312-250A	EUP	2.625	3.125	0.250	0.275	RMD270A	
EUPI262312-250B	EUP	2.625	3.125	0.250	0.275	RMD270	
EUPI262312-375B	EUP	2.625	3.125	0.375	0.413	RMD271	
GUPI262312-375	GUP	2.625	3.125	0.375	0.413	R30211	
DIUI262312-375	DIU	2.625	3.125	0.375	0.437	RF5282	
HBTI262323-235	HBT	2.625	3.235	0.235	0.250		
EUPI262325-312A	EUP	2.625	3.250	0.312	0.343	RMD430A	
EUPI262325-312B	EUP	2.625	3.250	0.312	0.343	RMD430	
GURI262325-312	GUR	2.625	3.250	0.312	0.375		
EUPI262325-500A	EUP	2.625	3.250	0.500	0.550	RMD431A	
EUPI262325-500B	EUP	2.625	3.250	0.500	0.550	RMD431	
EUPI262325-562B	EUP	2.625	3.250	0.562	0.587		
R97I262325-625	R97	2.625	3.250	0.625	0.687	R30371	
RBR I262327-190/1	RBR	2.625	3.270	0.190	0.220		
EUPI262337-375A	EUP	2.625	3.375	0.375	0.375	R09183A	
EUPI262337-375B	EUP	2.625	3.375	0.375	0.375	R09183	MU557
SURI262337-375	SUR	2.625	3.375	0.375	0.400	R00459	SU37
EUPI262337-562B	EUP	2.625	3.375	0.562	0.587	R09182	L393
EUPI262337-625B	EUP	2.625	3.375	0.625	0.687	RMD542	
GUPI275300-125	GUP	2.750	3.000	0.125	0.138	R30873	
EUPI275300-125A	EUP	2.750	3.000	0.125	0.138	R30088A	
EUPI275300-125B	EUP	2.750	3.000	0.125	0.138	R30088	
EUPI275300-250B	EUP	2.750	3.000	0.250	0.275	RMD068	
EUPI275300-375B	EUP	2.750	3.000	0.375	0.413	RMD069	
EUPI275312-187A	EUP	2.750	3.120	0.187	0.212	R30089A	



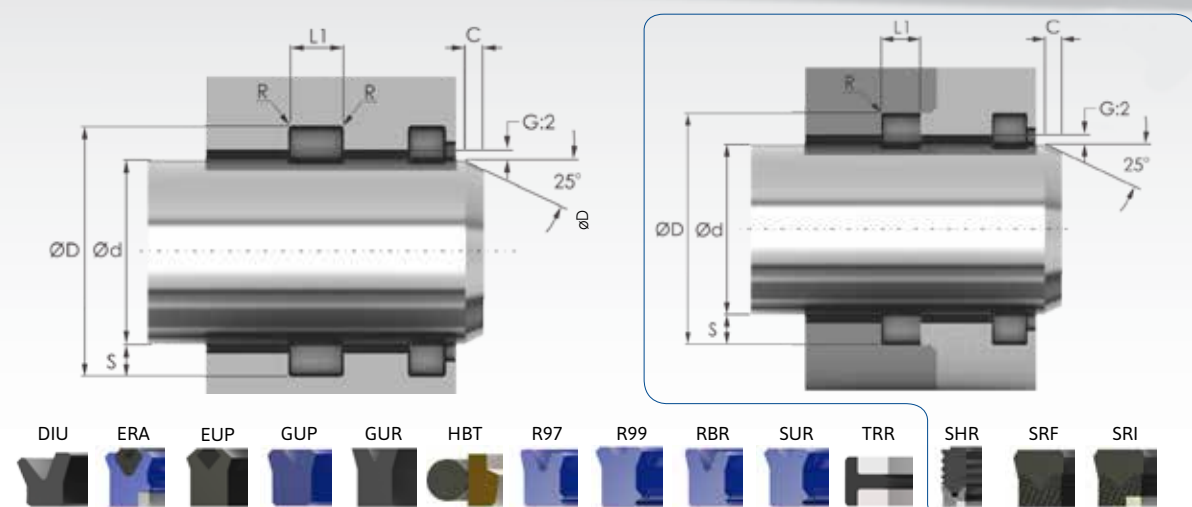
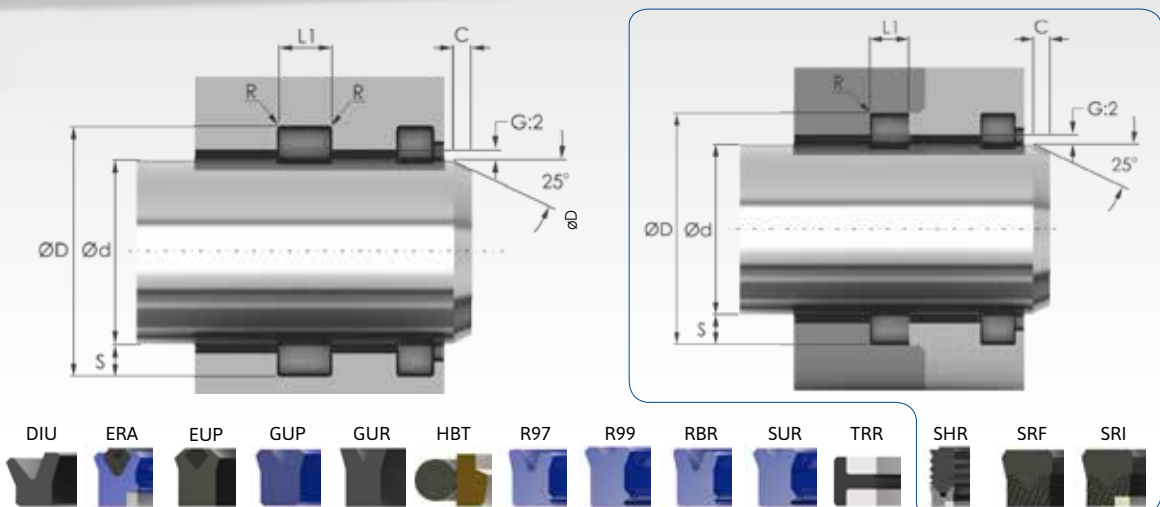
PART N°	PROFILE	HOUSING DIMENSIONS				REFERENCE N°	ALTERNATIVE REFERENCE N°
		Ød	ØD	SH	L1		
EUPI275312-187B	EUP	2.750	3.120	0.187	0.212	R30089	
TRRI275312-280	TRR	2.750	3.121	0.280	0.280		
GUPI275312-187	GUP	2.750	3.125	0.187	0.212	RMD1088	
SURI275312-187	SUR	2.750	3.125	0.187	0.218	RF5068	
EUPI275312-312A	EUP	2.750	3.125	0.312	0.343	RMD178A	
EUPI275312-312B	EUP	2.750	3.125	0.312	0.343	RMD178	
EUPI275312-375A	EUP	2.750	3.125	0.375	0.413	RMD179A	
EUPI275312-375B	EUP	2.750	3.125	0.375	0.413	RMD179	
GUPI275312-375	GUP	2.750	3.125	0.375	0.413	RMD1089	
R97I275312-375	R97	2.750	3.125	0.375	0.413	R30372	
HBTI275317-159	HBT	2.750	3.171	0.159	0.165	R30240	
SURI275318-218	SUR	2.750	3.187	0.218	0.250	RF5069	
EUPI275318-375B	EUP	2.750	3.187	0.375	0.413	RMD1117	
GUPI275325-250	GUP	2.750	3.250	0.250	0.275	RMD1152	
EUPI275325-250A	EUP	2.750	3.250	0.250	0.275	R09213A	
EUPI275325-250B	EUP	2.750	3.250	0.250	0.275	R09213	
SURI275325-250	SUR	2.750	3.250	0.250	0.281		
EUPI275325-312B	EUP	2.750	3.250	0.312	0.343	RMD272	
GUPI275325-375	GUP	2.750	3.250	0.375	0.413	RMD1154	
EUPI275325-375B	EUP	2.750	3.250	0.375	0.413	RMD1153	
R97I275325-375	R97	2.750	3.250	0.375	0.413	R30373	
ERA275325-375	ERA	2.750	3.250	0.375	0.413	R30014	
HBT275336-235	HBT	2.750	3.360	0.235	0.250		
RBR275337-235	RBR	2.750	3.366	0.235	0.247		
RBR275338-234	RBR	2.750	3.375	0.234	0.234		
EUPI275337-283B	EUP	2.750	3.375	0.283	0.315	R09091	MU572
EUPI275337-312A	EUP	2.750	3.375	0.312	0.343	RMD432A	
EUPI275337-312B	EUP	2.750	3.375	0.312	0.343	RMD432	
EUPI275337-375B	EUP	2.750	3.375	0.375	0.413	R30090	
EUPI275337-437B	EUP	2.750	3.375	0.437	0.462	R11217	L414
EUPI275337-500B	EUP	2.750	3.375	0.500	0.550	RMD437	
R97I275337-500	R97	2.750	3.375	0.500	0.550	R30375	
EUPI275337-562B	EUP	2.750	3.375	0.562	0.587		
RBR275339-210	RBR	2.750	3.390	0.210	0.220	RBC011	
EUPI275350-341B	EUP	2.750	3.500	0.341	0.375	R00099	MU32
SURI275350-375	SUR	2.750	3.500	0.375	0.400	R00460	SU38
EUPI275350-375A	EUP	2.750	3.500	0.375	0.413	RMD543A	
EUPI275350-375B	EUP	2.750	3.500	0.375	0.413	RMD543	
GUPI275350-375	GUP	2.750	3.500	0.375	0.413	RMD1284	
EUPI275350-500B	EUP	2.750	3.500	0.500	0.550	RMD544	
EUPI275350-515B	EUP	2.750	3.500	0.515	0.567	R00030	L32
SRII275350-562	SRI	2.750	3.500	0.525	0.562	RK2930	
SRFI275350-562	SRF	2.750	3.500	0.562	0.582	R50454	
EUPI275350-625B	EUP	2.750	3.500	0.625	0.687	RMD545	
DIUI275354-375	DIU	2.750	3.547	0.375	0.437	RF5283	

PART N°	PROFILE	HOUSING DIMENSIONS				REFERENCE N°	ALTERNATIVE REFERENCE N°
		Ød	ØD	SH	L1		
EUPI275362-437A	EUP	2.750	3.625	0.437	0.480	RMD1344A	
EUPI275362-437B	EUP	2.750	3.625	0.437	0.480	RMD1344	
GURI275375-375	GUR	2.750	3.750	0.375	0.438		
EUPI275375-500A	EUP	2.750	3.750	0.500	0.550	RMD711A	
EUPI275375-500B	EUP	2.750	3.750	0.500	0.550	RMD711	
EUPI275400-625A	EUP	2.750	4.000	0.625	0.687	RMD838A	
EUPI275400-625B	EUP	2.750	4.000	0.625	0.687	RMD838	
EUPI281325-218A	EUP	2.812	3.250	0.218	0.240	RMD1118A	
EUPI281325-218B	EUP	2.812	3.250	0.218	0.240	RMD1118	
SURI281325-218	SUR	2.812	3.250	0.218	0.250	RF5071	
EUPI287312-250B	EUP	2.875	3.125	0.250	0.275	RMD070	
TRRI287324-280	TRR	2.875	3.245	0.280	0.280		
EUPI287325-187A	EUP	2.875	3.250	0.187	0.207	R11231A	
EUPI287325-187B	EUP	2.875	3.250	0.187	0.212	RMD180	
EUPI287325-250A	EUP	2.875	3.250	0.250	0.275	RMD181A	
EUPI287325-250B	EUP	2.875	3.250	0.250	0.275	RMD181	
DIUI287325-312	DIU	2.875	3.250	0.312	0.375		
EUPI287325-375B	EUP	2.875	3.250	0.375	0.413	RMD182	
EUPI287337-250A	EUP	2.875	3.375	0.250	0.275	RMD274A	
EUPI287337-250B	EUP	2.875	3.375	0.250	0.275	RMD274	
EUPI287337-375B	EUP	2.875	3.375	0.375	0.413	RMD275	
EUPI287350-312A	EUP	2.875	3.500	0.312	0.343	RMD435A	
EUPI287350-312B	EUP	2.875	3.500	0.312	0.343	RMD435	
SURI287350-312	SUR	2.875	3.500	0.312	0.344		
GURI287350-312	GUR	2.875	3.500	0.312	0.375		
EUPI287350-375B	EUP	2.875	3.500	0.375	0.413	RMD434	
EUPI287350-500B	EUP	2.875	3.500	0.500	0.550	RMD439	
SURI287362-375	SUR	2.875	3.625	0.375	0.400	R00461	SU39
EUPI287362-375A	EUP	2.875	3.625	0.375	0.413	RMD1285A	
EUPI287362-375B	EUP	2.875	3.625	0.375	0.413	RMD1285	
GUPI287362-625	GUP	2.875	3.625	0.625	0.687	RMD1287	
EUPI287362-625B	EUP	2.875	3.625	0.625	0.687	RMD1286	
EUPI298352-375B	EUP	2.987	3.520	0.375	0.400	R09214	L335
EUPI300325-125B	EUP	3.000	3.250	0.125	0.138	RMD1034	
EUPI300325-125A	EUP	3.000	3.250	0.125	0.138	RMD1032	
TRRI300337-280	TRR	3.000	3.371	0.280	0.280		
EUPI300337-187A	EUP	3.000	3.375	0.187	0.212	RMD183A	
EUPI300337-187B	EUP	3.000	3.375	0.187	0.212	RMD183	
SURI300337-187	SUR	3.000	3.375	0.187	0.218	RF5073	
EUPI300337-250B	EUP	3.000	3.375	0.250	0.275	R30093	
EUPI300337-312B	EUP	3.000	3.375	0.312	0.343	RMD189	
EUPI300337-312A	EUP	3.000	3.375	0.312	0.343	RMD1090	
EUPI300337-375B	EUP	3.000	3.375	0.375	0.413	RMD184	
R97I300337-375	R97	3.000	3.375	0.375	0.413	R30379	
HBTI300342-159	HBT	3.000	3.421	0.159	0.165	R30242	



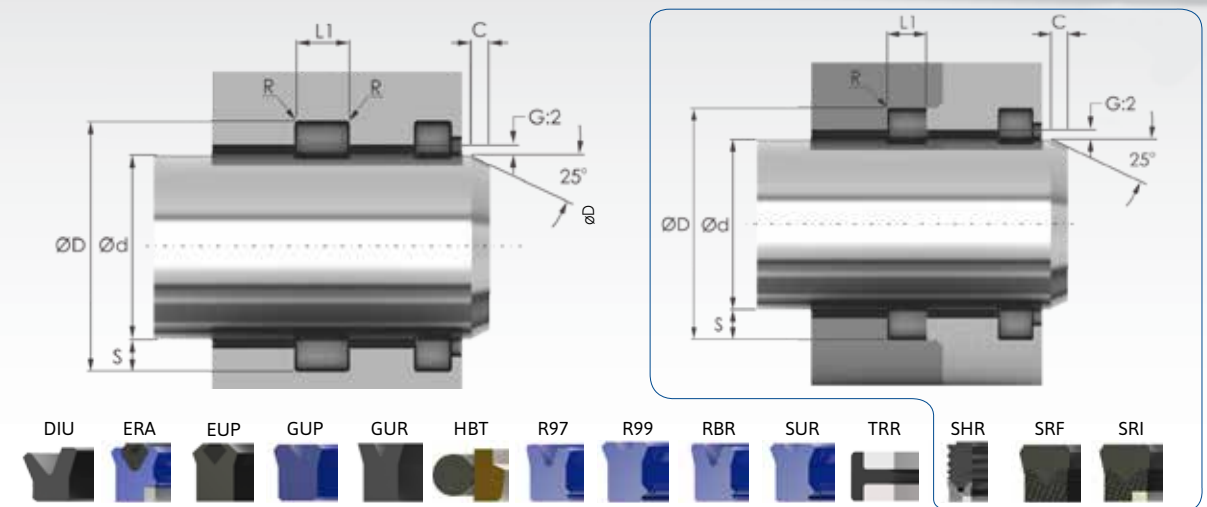
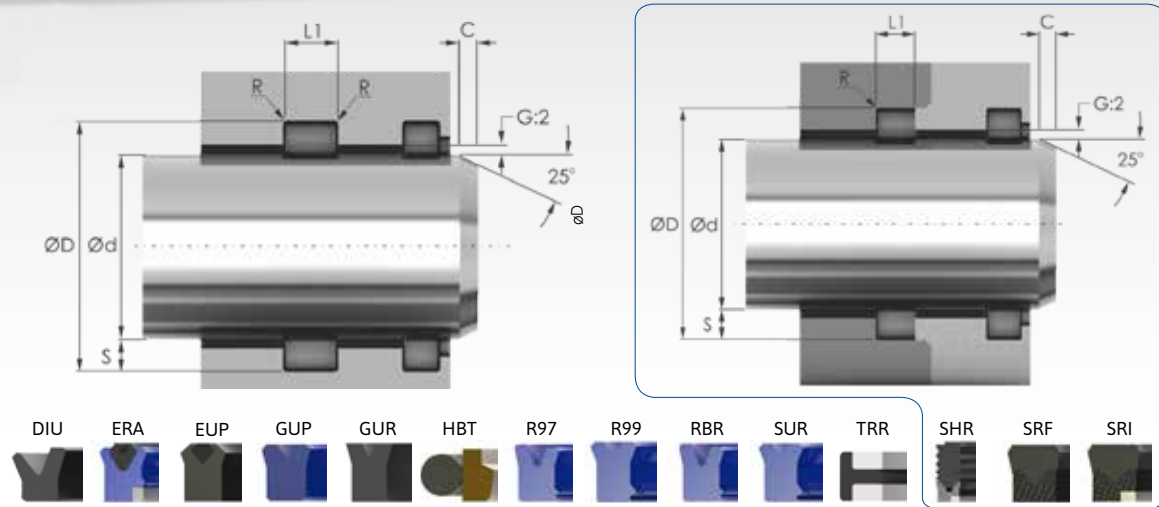
PART N°	PROFILE	HOUSING DIMENSIONS				REFERENCE N°	ALTERNATIVE REFERENCE N°
		Ød	ØD	SH	L1		
EUPI300343-218A	EUP	3.000	3.437	0.218	0.240	RMD1119A	
EUPI300343-218B	EUP	3.000	3.437	0.218	0.240	RMD1119	
SURI300343-218	SUR	3.000	3.437	0.218	0.250	RF5074	
EUPI300350-250A	EUP	3.000	3.500	0.250	0.275	RMD266A	
EUPI300350-250B	EUP	3.000	3.500	0.250	0.275	RMD266	
GUPI300350-250	GUP	3.000	3.500	0.250	0.275	RMD1155	
GUPI300350-312	GUP	3.000	3.500	0.312	0.343	RMD1156	
EUPI300350-312B	EUP	3.000	3.500	0.312	0.343	RMD1006	
GUPI300350-375	GUP	3.000	3.500	0.375	0.413	RMD1157	
R97I300350-375	R97	3.000	3.500	0.375	0.413	R30381	
ERA300350-375	ERA	3.000	3.500	0.375	0.413	R30015	
EUPI300350-375B	EUP	3.000	3.500	0.375	0.413	R09215	L365
DIUI300350-375	DIU	3.000	3.500	0.375	0.437	R58488	
EUPI300350-500B	EUP	3.000	3.500	0.500	0.550	RMD268	
HBTI300359-240	HBT	3.000	3.594	0.240	0.248	R30243	
HBTI300361-235	HBT	3.000	3.610	0.235	0.250	R30244	
RBRI300361-236	RBR	3.000	3.616	0.236	0.247	R30458	
RBRI300363-234	RBR	3.000	3.625	0.234	0.234		
EUPI300362-312B	EUP	3.000	3.625	0.312	0.337		
EUPI300362-312A	EUP	3.000	3.625	0.312	0.344	R09217A	
GURI300362-312	GUR	3.000	3.625	0.312	0.375		
EUPI300362-375B	EUP	3.000	3.625	0.375	0.413	RMD1428	
EUPI300362-500B	EUP	3.000	3.625	0.500	0.550	RMD871	
GUPI300362-500	GUP	3.000	3.625	0.500	0.550	RMD1246	
R97I300362-500	R97	3.000	3.625	0.500	0.550	R30384	
ERA300362-500	ERA	3.000	3.625	0.500	0.550	R30016	
EUPI300362-562B	EUP	3.000	3.625	0.562	0.619	RMD436	
RBRI300364-210	RBR	3.000	3.640	0.210	0.220	RBC012	
EUPI300375-341B	EUP	3.000	3.750	0.341	0.375	R00100	MU33
SURI300375-375	SUR	3.000	3.750	0.375	0.400	R00462	SU40
EUPI300375-375A	EUP	3.000	3.750	0.375	0.413	RMD550A	
EUPI300375-375B	EUP	3.000	3.750	0.375	0.413	RMD550	
EUPI300375-500B	EUP	3.000	3.750	0.500	0.550	RMD551	
EUPI300375-515B	EUP	3.000	3.750	0.515	0.567	R00031	L33
SRII300375-525	SRI	3.000	3.750	0.525	0.562	R30567	
EUPI300375-625B	EUP	3.000	3.750	0.625	0.687	RMD552	
ERA300375-625	ERA	3.000	3.750	0.625	0.687	R30017	
GURI300387-375	GUR	3.000	3.875	0.375	0.437		
EUPI300400-500B	EUP	3.000	4.000	0.500	0.550	RMD812	
EUPI300400-500A	EUP	3.000	4.000	0.500	0.550	RMD712A	
EUPI300400-687B	EUP	3.000	4.000	0.687	0.712	RMD813	
EUPI300400-750A	EUP	3.000	4.000	0.750	0.825	RMD713A	
EUPI300400-750B	EUP	3.000	4.000	0.750	0.825	RMD713	
EUPI300425-625A	EUP	3.000	4.250	0.625	0.650	RMD839A	
EUPI300425-625B	EUP	3.000	4.250	0.625	0.650	RMD839	

PART N°	PROFILE	HOUSING DIMENSIONS				REFERENCE N°	ALTERNATIVE REFERENCE N°
		Ød	ØD	SH	L1		
SURI306350-218	SUR	3.062	3.500	0.218	0.250	RF5077	
GURI306400-500	GUR	3.062	4.000	0.500	0.563		
EUPI312337-125A	EUP	3.125	3.375	0.125	0.138	RMD1033A	
EUPI312337-125B	EUP	3.125	3.375	0.125	0.138	RMD1033	
TRRI312349-280	TRR	3.125	3.495	0.280	0.280		
EUPI312350-187A	EUP	3.125	3.500	0.187	0.212	RMD185A	
EUPI312350-187B	EUP	3.125	3.500	0.187	0.212	RMD185	
EUPI312350-250B	EUP	3.125	3.500	0.250	0.275	RMD188	
EUPI312350-312B	EUP	3.125	3.500	0.312	0.340	R09677	L463
EUPI312350-375B	EUP	3.125	3.500	0.375	0.413	RMD186	
GUPI312350-375	GUP	3.125	3.500	0.375	0.413	RMD1091	
EUPI312362-250A	EUP	3.125	3.625	0.250	0.275	RMD277A	
EUPI312362-250B	EUP	3.125	3.625	0.250	0.275	RMD277	
EUPI312362-375B	EUP	3.125	3.625	0.375	0.413	RMD316	
EUPI312375-312A	EUP	3.125	3.750	0.312	0.343	RMD278A	
EUPI312375-312B	EUP	3.125	3.750	0.312	0.343	RMD278	
GURI312387-375	GUR	3.125	3.875	0.375	0.400		
EUPI312387-375A	EUP	3.125	3.875	0.375	0.413	RMD553A	
EUPI312387-375B	EUP	3.125	3.875	0.375	0.413	RMD553	
DIUI312387-437	DIU	3.125	3.875	0.437	0.500	RF5284	
EUPI312387-625B	EUP	3.125	3.875	0.625	0.687	RMD554	
EUPI312400-437A	EUP	3.125	4.000	0.437	0.462	RMD688A	
EUPI312400-437B	EUP	3.125	4.000	0.437	0.462	RMD688	
EUPI313350-437B	EUP	3.130	3.500	0.437	0.462	R09218	L369
EUPI318375-500B	EUP	3.187	3.750	0.500	0.550	RMD1215	
EUPI320377-515	EUP	3.200	3.775	0.515	0.540	R09093	L413
EUPI325350-125B	EUP	3.250	3.500	0.125	0.138	RMD073	
TRRI325362-280	TRR	3.250	3.620	0.280	0.280		
EUPI325362-187B	EUP	3.250	3.625	0.187	0.212	RMD187	
EUPI325362-187A	EUP	3.250	3.625	0.187	0.212	RMD1092	
EUPI325362-375B	EUP	3.250	3.625	0.375	0.413	RMD1094	
R97I325362-375	R97	3.250	3.625	0.375	0.413	R30387	
R97I325362-562	R97	3.250	3.625	0.562	0.625	R30388	
EUPI325375-250A	EUP	3.250	3.750	0.250	0.275	RMD285A	
EUPI325375-250B	EUP	3.250	3.750	0.250	0.275	RMD285	
GUPI325375-250	GUP	3.250	3.750	0.250	0.275	RMD1158	
DIUI325375-312	DIU	3.250	3.750	0.312	0.375	RF5285	
GUPI325375-375	GUP	3.250	3.750	0.375	0.413		
EUPI325375-375B	EUP	3.250	3.750	0.375	0.413	RMD280	
ERA325375-375	ERA	3.250	3.750	0.375	0.413	R30018	
EUPI325375-562BM	EUP	3.250	3.750	0.562	0.618		
HBTI325386-235	HBT	3.250	3.860	0.235	0.250		
EUPI325387-312A	EUP	3.250	3.875	0.312	0.343	RMD279A	
EUPI325387-312B	EUP	3.250	3.875	0.312	0.343	RMD279	
EUPI325387-500B	EUP	3.250	3.875	0.500	0.550	RMD281	



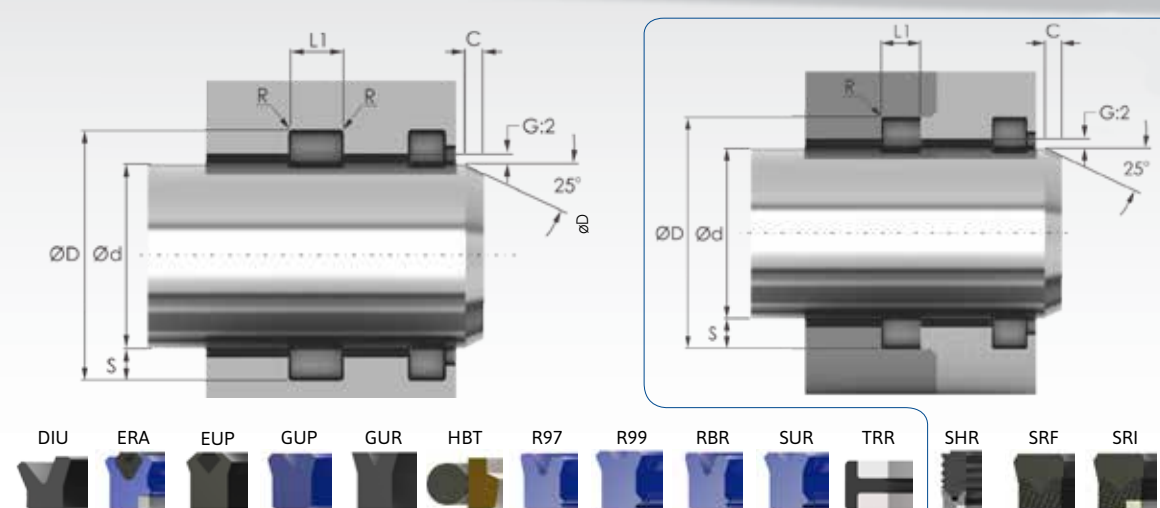
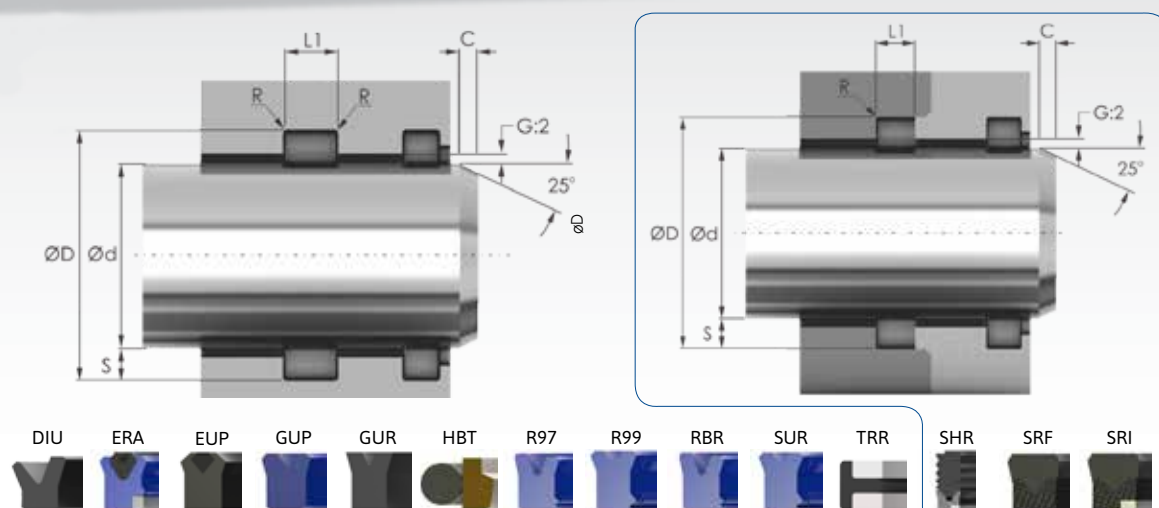
PART N°	PROFILE	HOUSING DIMENSIONS				REFERENCE N°	ALTERNATIVE REFERENCE N°
		Ød	ØD	SH	L1		
EUPI325387-562B	EUP	3.250	3.875	0.562	0.587	R09221	L368
RBRI325389-210	RBR	3.250	3.890	0.210	0.220	RBC013	
EUPI325400-341B	EUP	3.250	4.000	0.341	0.375	R00101	MU34
GURI325400-375	GUR	3.250	4.000	0.375	0.400		
EUPI325400-375A	EUP	3.250	4.000	0.375	0.400	RMD556A	
EUPI325400-375B	EUP	3.250	4.000	0.375	0.400	RMD556	
SURI325400-375	SUR	3.250	4.000	0.375	0.400	R07793	
GUPI325400-375	GUP	3.250	4.000	0.375	0.413		
EUPI325400-500B	EUP	3.250	4.000	0.500	0.550	RMD549	
EUPI325400-515B	EUP	3.250	4.000	0.515	0.567	R00032	L34
SRFI325400-562	SRF	3.250	4.000	0.562	0.582	R30493	
EUPI325400-625B	EUP	3.250	4.000	0.625	0.687	RMD557	
EUPI325412-437A	EUP	3.250	4.125	0.437	0.480	RMD1345A	
EUPI325412-437B	EUP	3.250	4.125	0.437	0.480	RMD1345	
EUPI325425-500B	EUP	3.250	4.250	0.500	0.550	RMD715	
EUPI325425-750B	EUP	3.250	4.250	0.750	0.825	RMD716	
EUPI325450-625A	EUP	3.250	4.500	0.625	0.687	RMD840A	
EUPI325450-625B	EUP	3.250	4.500	0.625	0.687	RMD840	
EUPI325450-1000B	EUP	3.250	4.500	1.000	1.075	RMD994	
GURI331412-438	GUR	3.312	4.125	0.438	0.500		
TRRI337374-280	TRR	3.375	3.745	0.280	0.280		
EUPI337375-187A	EUP	3.375	3.750	0.187	0.212	RMD1095A	
EUPI337375-187B	EUP	3.375	3.750	0.187	0.212	RMD1007	
EUPI337375-250B	EUP	3.375	3.750	0.250	0.275		
EUPI337375-375B	EUP	3.375	3.750	0.375	0.413	RMD191	
R97I337375-375	R97	3.375	3.750	0.375	0.413	RMD1097	
EUPI337375-375A	EUP	3.375	3.750	0.375	0.413	RMD1096	
EUPI337387-250A	EUP	3.375	3.875	0.250	0.275	RMD282A	
EUPI337387-250B	EUP	3.375	3.875	0.250	0.275	RMD282	
SURI337387-250	SUR	3.375	3.875	0.250	0.281	RF5161	
EUPI337387-375B	EUP	3.375	3.875	0.375	0.413	RMD283	
GUPI337387-375	GUP	3.375	3.875	0.375	0.413	RMD1161	
DIUI337387-375	DIU	3.375	3.875	0.375	0.437	RF5286	
EUPI337400-312A	EUP	3.375	4.000	0.312	0.343	RMD442A	
EUPI337400-312B	EUP	3.375	4.000	0.312	0.343	RMD442	
EUPI337400-500B	EUP	3.375	4.000	0.500	0.550	RMD1429	
EUPI337400-625B	EUP	3.375	4.000	0.625	0.687	RMD997	
EUPI337412-375B	EUP	3.375	4.125	0.375	0.413	RMD1291	
EUPI337412-375A	EUP	3.375	4.125	0.375	0.413	RMD1290	
GURI337412-375	GUR	3.375	4.125	0.375	0.438		
SRFI337412-562	SRF	3.375	4.125	0.562	0.582		
EUPI337412-562B	EUP	3.375	4.125	0.562	0.585	R09222	L361
EUPI337412-625B	EUP	3.375	4.125	0.625	0.687	RMD559	
EUPI337412-750B	EUP	3.375	4.125	0.750	0.825	RMD558	
EUPI337437-500B	EUP	3.375	4.375	0.500	0.550	R30101	

PART N°	PROFILE	HOUSING DIMENSIONS				REFERENCE N°	ALTERNATIVE REFERENCE N°
		Ød	ØD	SH	L1		
EUPI337462-625A	EUP	3.375	4.625	0.625	0.687	RMD1389A	
EUPI337462-625B	EUP	3.375	4.625	0.625	0.687	RMD1389	
SRII348425-413	SRI	3.480	4.250	0.413	0.437	R30568	
EUPI350375-125A	EUP	3.500	3.750	0.125	0.138	R30102A	
EUPI350375-125B	EUP	3.500	3.750	0.125	0.138	R30102	
TRRI350387-280	TRR	3.500	3.870	0.280	0.280		
EUPI350387-187A	EUP	3.500	3.875	0.187	0.212	RMD192A	
EUPI350387-187B	EUP	3.500	3.875	0.187	0.212	RMD192	
EUPI350387-375B	EUP	3.500	3.875	0.375	0.413	RMD193	
GUPI350387-375	GUP	3.500	3.875	0.375	0.413	RMD1098	
R97I350387-375	R97	3.500	3.875	0.375	0.413	R30392	
EUPI350400-250A	EUP	3.500	4.000	0.250	0.275	RMD289A	
EUPI350400-250B	EUP	3.500	4.000	0.250	0.275	RMD289	
GUPI350400-250	GUP	3.500	4.000	0.250	0.275	RMD1162	
SURI350400-250	SUR	3.500	4.000	0.250	0.281	R85516	
EUPI350400-312B	EUP	3.500	4.000	0.312	0.343	RMD599	
GUPI350400-312	GUP	3.500	4.000	0.312	0.343	RMD1163	
R97I350400-312	R97	3.500	4.000	0.312	0.344	R30393	
EUPI350400-375B	EUP	3.500	4.000	0.375	0.413	RMD288	
GUPI350400-375	GUP	3.500	4.000	0.375	0.413	RMD1164	
R97I350400-375	R97	3.500	4.000	0.375	0.413	R30394	
ERAI350400-375	ERA	3.500	4.000	0.375	0.413	R30019	
DIUI350400-375	DIU	3.500	4.000	0.375	0.437	R55677	
EUPI350400-390B	EUP	3.500	4.000	0.390	0.420	R09225	L388
EUPI350400-500B	EUP	3.500	4.000	0.500	0.550	RMD284	
HBTI350411-235	HBT	3.500	4.110	0.235	0.250	R30246	
RBRI350412-235	RBR	3.500	4.116	0.235	0.247		
EUPI350412-283B	EUP	3.500	4.125	0.283	0.315	R09095	MU573
EUPI350412-312A	EUP	3.500	4.125	0.312	0.343		
EUPI350412-312B	EUP	3.500	4.125	0.312	0.343	R09671	MU609
EUPI350412-375B	EUP	3.500	4.125	0.375	0.413		
GUPI350412-375	GUP	3.500	4.125	0.375	0.413	RMD1247	
EUPI350412-437B	EUP	3.500	4.125	0.437	0.462	R11218	L415
EUPI350412-500B	EUP	3.500	4.125	0.500	0.550	RMD446	
R97I350412-500	R97	3.500	4.125	0.500	0.550	R30395	
ERAI350412-500	ERA	3.500	4.125	0.500	0.550	R30020	
EUPI350412-750B	EUP	3.500	4.125	0.750	0.825	RMD444	
RBRI350414-210	RBR	3.500	4.140	0.210	0.220	RBC014	
RBRI350419-187	RBR	3.500	4.188	0.187	0.247		
EUPI350425-341B	EUP	3.500	4.250	0.341	0.375	R00102	MU35
SURI350425-375	SUR	3.500	4.250	0.375	0.406		
EUPI350425-375A	EUP	3.500	4.250	0.375	0.413	RMD968A	
EUPI350425-375B	EUP	3.500	4.250	0.375	0.413	RMD968	
GURI350425-375	GUR	3.500	4.250	0.375	0.438		
EUPI350425-500B	EUP	3.500	4.250	0.500	0.550	RMD561	



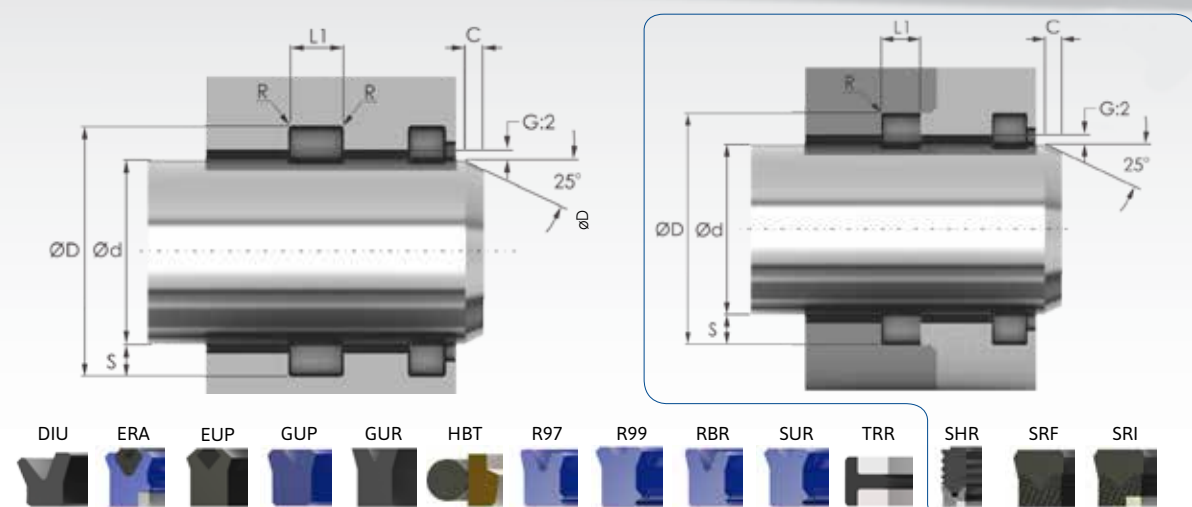
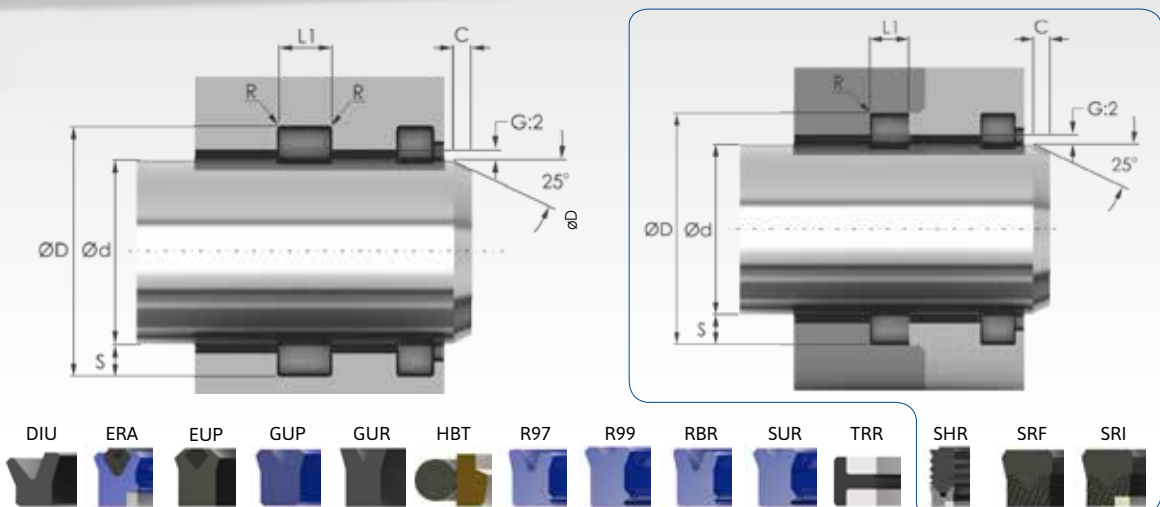
PART N°	PROFILE	HOUSING DIMENSIONS				REFERENCE N°	ALTERNATIVE REFERENCE N°
		Ød	ØD	SH	L1		
GUPI350425-500	GUP	3.500	4.250	0.500	0.550	RMD1292	
EUPI350425-515B	EUP	3.500	4.250	0.515	0.567	R00033	L35
SRII350425-525	SRI	3.500	4.250	0.525	0.562	R30569	
SRFI350425-562	SRF	3.500	4.250	0.562	0.582	R30495	
EUPI350425-625B	EUP	3.500	4.250	0.625	0.687	RMD562	
R97I350425-625	R97	3.500	4.250	0.625	0.687	R30396	
ERAI350425-625	ERA	3.500	4.250	0.625	0.687	R30021	
EUPI350450-455B	EUP	3.500	4.500	0.455	0.500	R00103	MU36
EUPI350450-500A	EUP	3.500	4.500	0.500	0.550	RMD717A	
EUPI350450-500B	EUP	3.500	4.500	0.500	0.550	RMD717	
EUPI350450-686B	EUP	3.500	4.500	0.686	0.755	R00034	L36
EUPI350450-750B	EUP	3.500	4.500	0.750	0.825	RMD1351	
EUPI350475-625B	EUP	3.500	4.750	0.625	0.687	RMD842	
EUPI350500-750A	EUP	3.500	5.000	0.750	0.825	RMD1419A	
EUPI350500-750B	EUP	3.500	5.000	0.750	0.825	RMD1419	
EUPI362387-187B	EUP	3.625	3.875	0.187	0.212	RMD071	
TRRI362399-280	TRR	3.625	3.995	0.280	0.280		
EUPI362400-187A	EUP	3.625	4.000	0.187	0.212	RMD194A	
EUPI362400-187B	EUP	3.625	4.000	0.187	0.212	RMD194	
GUPI362400-187	GUP	3.625	4.000	0.187	0.212	RMD1099	
EUPI362400-250B	EUP	3.625	4.000	0.250	0.275	RMD998	
EUPI362400-375B	EUP	3.625	4.000	0.375	0.413	RMD195	
GUPI362400-375	GUP	3.625	4.000	0.375	0.413	RMD1100	
EUPI362412-250A	EUP	3.625	4.125	0.250	0.275	RMD286A	
EUPI362412-250B	EUP	3.625	4.125	0.250	0.275	RMD286	
EUPI362412-375B	EUP	3.625	4.125	0.375	0.413	RMD287	
DIUI362418-318	DIU	3.625	4.187	0.318	0.375	RF5287	
EUPI362425-312A	EUP	3.625	4.250	0.312	0.343	R30105A	
EUPI362425-312B	EUP	3.625	4.250	0.312	0.343	R30105	
EUPI362425-500B	EUP	3.625	4.250	0.500	0.550	RMD448	
EUPI362425-562B	EUP	3.625	4.250	0.562	0.619	RMD999	
EUPI362437-375A	EUP	3.625	4.375	0.375	0.413	RMD563A	
EUPI362437-375B	EUP	3.625	4.375	0.375	0.413	RMD563	
GURI362437-375	GUR	3.625	4.375	0.375	0.437		
EUPI362437-625B	EUP	3.625	4.375	0.625	0.687	RMD565	
EUPI362462-500B	EUP	3.625	4.625	0.500	0.550	RMD719	
EUPI375400-125B	EUP	3.750	4.000	0.125	0.138	RMD072	
TRRI375412-280	TRR	3.750	4.120	0.280	0.280		
EUPI375412-187A	EUP	3.750	4.125	0.187	0.212	RMD196A	
EUPI375412-187B	EUP	3.750	4.125	0.187	0.212	RMD196	
EUPI375412-375B	EUP	3.750	4.125	0.375	0.413	RMD197	
ERAI375412-375	ERA	3.750	4.125	0.375	0.413	R30022	
EUPI375425-250A	EUP	3.750	4.250	0.250	0.275		
EUPI375425-250B	EUP	3.750	4.250	0.250	0.275	RMD297	
SURI375425-250	SUR	3.750	4.250	0.250	0.281	RF5083	

PART N°	PROFILE	HOUSING DIMENSIONS				REFERENCE N°	ALTERNATIVE REFERENCE N°
		Ød	ØD	SH	L1		
EUPI375425-375B	EUP	3.750	4.250	0.375	0.413	RMD298	
GUPI375425-375	GUP	3.750	4.250	0.375	0.413	RMD1165	
R97I375425-375	R97	3.750	4.250	0.375	0.413	R30399	
EUPI375425-500B	EUP	3.750	4.250	0.500	0.525		
EUPI375425-562B	EUP	3.750	4.250	0.562	0.619	RMD290	
HBTI375436-235	HBT	3.750	4.360	0.235	0.250		
EUPI375437-312B	EUP	3.750	4.375	0.312	0.343	RMD989	
EUPI375437-312A	EUP	3.750	4.375	0.312	0.343	RMD449A	
EUPI375437-375B	EUP	3.750	4.375	0.375	0.413	R30107	
DIUI375437-375	DIU	3.750	4.375	0.375	0.437	R51769	
EUPI375437-500B	EUP	3.750	4.375	0.500	0.550	RMD450	
EUPI375437-625B	EUP	3.750	4.375	0.625	0.687	RMD1248	
EUPI375437-875B	EUP	3.750	4.375	0.875	0.925	RMD990	
RBR375439-210	RBR	3.750	4.390	0.210	0.220	RBC015	
GURI375450-375	GUR	3.750	4.500	0.375	0.400		
SURI375450-375	SUR	3.750	4.500	0.375	0.400	R07801	S398
GUPI375450-375H	GUP	3.750	4.500	0.375	0.413		
EUPI375450-375A	EUP	3.750	4.500	0.375	0.413	RMD564A	
EUPI375450-375B	EUP	3.750	4.500	0.375	0.413	RMD564	
GUPI375450-375	GUP	3.750	4.500	0.375	0.413	R30214	
SRFI375450-500	SRF	3.750	4.500	0.500	0.520	R89376	
EUPI375450-500B	EUP	3.750	4.500	0.500	0.550	RMD566	
GUPI375450-500	GUP	3.750	4.500	0.500	0.550	RMD1294	
EUPI375450-625B	EUP	3.750	4.500	0.625	0.650	RMD567	
EUPI375475-455B	EUP	3.750	4.750	0.455	0.500	R00104	MU37
EUPI375475-500B	EUP	3.750	4.750	0.500	0.550	RMD718	
GUPI375475-500	GUP	3.750	4.750	0.500	0.550	RMD1352	
EUPI375475-686B	EUP	3.750	4.750	0.686	0.755	R00035	L37
EUPI375475-690B	EUP	3.750	4.750	0.690	0.750	RMD1353	
EUPI375475-750B	EUP	3.750	4.750	0.750	0.825	RMD720	
EUPI375500-625A	EUP	3.750	5.000	0.625	0.687	RMD843A	
EUPI375500-625B	EUP	3.750	5.000	0.625	0.687	RMD843	
EUPI375500-1000B	EUP	3.750	5.000	1.000	1.100	RMD844	
TRRI387424-280	TRR	3.875	4.245	0.280	0.280		
EUPI387425-187A	EUP	3.875	4.250	0.187	0.212	RMD1101A	
EUPI387425-187B	EUP	3.875	4.250	0.187	0.212	R30110	
EUPI387425-375B	EUP	3.875	4.250	0.375	0.413	RMD198	
DIUI387425-375	DIU	3.875	4.250	0.375	0.437	RF5288	
EUPI387437-250A	EUP	3.875	4.375	0.250	0.275	RMD291A	
EUPI387437-250B	EUP	3.875	4.375	0.250	0.275	RMD291	
EUPI387437-375B	EUP	3.875	4.375	0.375	0.413	R30111	
EUPI387450-312B	EUP	3.875	4.500	0.312	0.343	RMD1431	
EUPI387450-312A	EUP	3.875	4.500	0.312	0.343	R30112A	
EUPI387450-375B	EUP	3.875	4.500	0.375	0.413	RMD452	
EUPI387450-500B	EUP	3.875	4.500	0.500	0.550	RMD487	



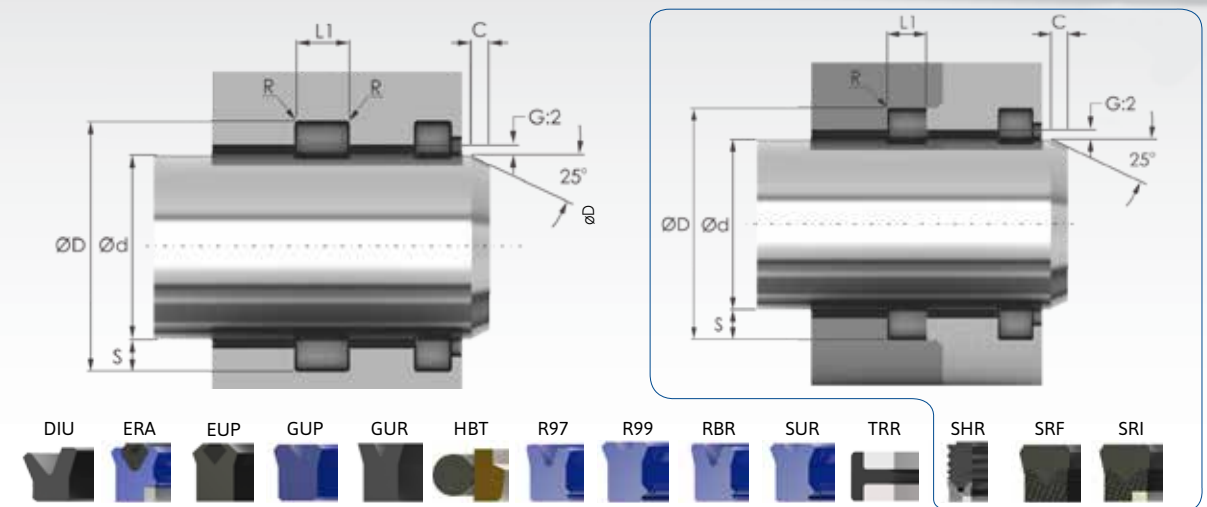
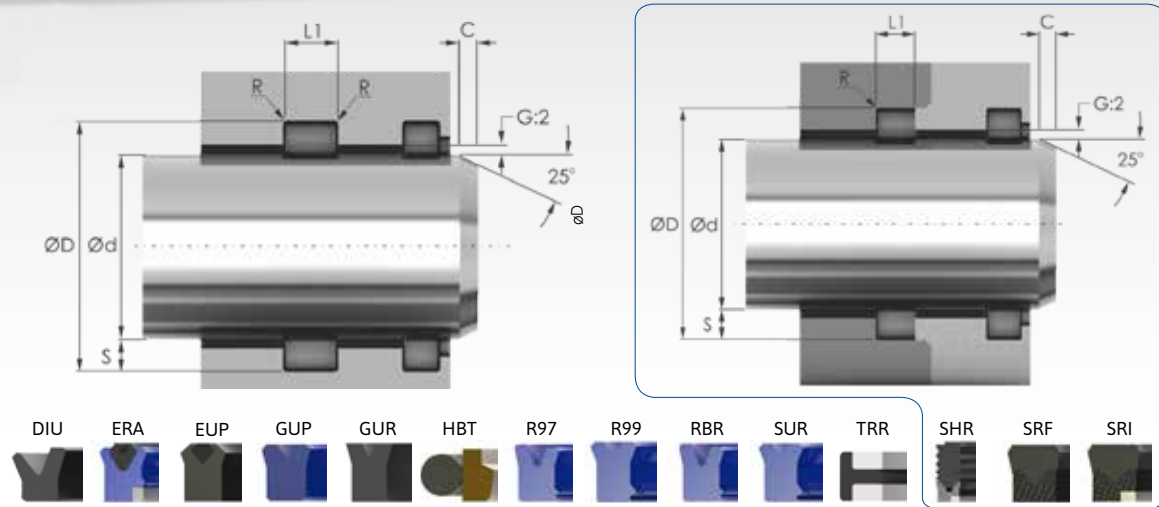
PART N°	PROFILE	HOUSING DIMENSIONS				REFERENCE N°	ALTERNATIVE REFERENCE N°
		Ød	ØD	SH	L1		
EUPI387462-375A	EUP	3.875	4.625	0.375	0.413	RMD568A	
EUPI387462-375B	EUP	3.875	4.625	0.375	0.413	RMD568	
GURI387462-375	GUR	3.875	4.625	0.375	0.438		
EUPI387462-625B	EUP	3.875	4.625	0.625	0.687	RMD573	
EUPI387475-437B	EUP	3.875	4.750	0.437	0.475	R09228	MUS26
EUPI387475-750B	EUP	3.875	4.750	0.750	0.825	RMD690	
EUPI387487-750B	EUP	3.875	4.875	0.750	0.825	RMD721	
EUPI397475-375B	EUP	3.979	4.750	0.375	0.400	R09231	
EUPI397475-562	EUP	3.979	4.750	0.562	0.587		
EUPI400425-125A	EUP	4.000	4.250	0.125	0.138	RMD077A	
EUPI400425-125B	EUP	4.000	4.250	0.125	0.138	RMD077	
TRRI400437-280	TRR	4.000	4.370	0.280	0.280		
EUPI400437-187A	EUP	4.000	4.375	0.187	0.212	RMD200A	
EUPI400437-187B	EUP	4.000	4.375	0.187	0.212	RMD200	
GUPI400437-187	GUP	4.000	4.375	0.187	0.212	RMD1102	
DIUI400437-225	DIU	4.000	4.375	0.225	0.281	RF5289	
EUPI400437-312B	EUP	4.000	4.375	0.312	0.343	RMD991	
EUPI400437-375A	EUP	4.000	4.375	0.375	0.413	RMD992A	
EUPI400437-375B	EUP	4.000	4.375	0.375	0.413	RMD201	
GUPI400437-375	GUP	4.000	4.375	0.375	0.413	RMD1103	
R97I400437-375	R97	4.000	4.375	0.375	0.413	R30402	
EUPI400437-500B	EUP	4.000	4.375	0.500	0.550	RMD993	
GUPI400450-250	GUP	4.000	4.500	0.250	0.275		
EUPI400450-250A	EUP	4.000	4.500	0.250	0.275	R09232A	
EUPI400450-250B	EUP	4.000	4.500	0.250	0.275	R09232	MUS63
SURI400450-250	SUR	4.000	4.500	0.250	0.281		
EUPI400450-312B	EUP	4.000	4.500	0.312	0.343	RMD294	
EUPI400450-375B	EUP	4.000	4.500	0.375	0.413	RMD304	
GUPI400450-375	GUP	4.000	4.500	0.375	0.413	RMD1167	
R97I400450-375	R97	4.000	4.500	0.375	0.413	R30404	
ERA400450-375	ERA	4.000	4.500	0.375	0.413	R30023	
EUPI400450-500B	EUP	4.000	4.500	0.500	0.550	RMD292	
EUPI400450-562B	EUP	4.000	4.500	0.562	0.619	RMD293	
GUPI400450-562	GUP	4.000	4.500	0.562	0.619	RMD1168	
ERA400450-562	ERA	4.000	4.500	0.562	0.619	R30024	
R97I400450-562	R97	4.000	4.500	0.562	0.625	R30405	
HBT400459-240	HBT	4.000	4.594	0.240	0.248	R30249	
HBT400461-235	HBT	4.000	4.610	0.235	0.250	R30250	
RBR400462-235	RBR	4.000	4.616	0.235	0.247		
RBR400463-235	RBR	4.000	4.625	0.220	0.235		
EUPI400462-312B	EUP	4.000	4.625	0.312	0.343	RMD995	
EUPI400462-312A	EUP	4.000	4.625	0.312	0.343	RMD454A	
GUPI400462-375	GUP	4.000	4.625	0.375	0.413	RMD1249	
R97I400462-500	R97	4.000	4.625	0.500	0.550	R30408	
EUPI400462-500B	EUP	4.000	4.625	0.500	0.550	R30114	

PART N°	PROFILE	HOUSING DIMENSIONS				REFERENCE N°	ALTERNATIVE REFERENCE N°
		Ød	ØD	SH	L1		
ERA400462-562	ERA	4.000	4.625	0.562	0.619	R30025	
EUPI400462-562B	EUP	4.000	4.625	0.562	0.619	R09672	L446
HBT400464-210	HBT	4.000	4.640	0.210	0.220		
RBR400464-210	RBR	4.000	4.640	0.210	0.220	RBC016	
EUPI400475-312A	EUP	4.000	4.750	0.312	0.343	RMD1295A	
EUPI400475-312B	EUP	4.000	4.750	0.312	0.343	RMD1295	
EUPI400475-355B	EUP	4.000	4.750	0.355	0.390	R09234	MUS03
EUPI400475-375A	EUP	4.000	4.750	0.375	0.413	RMD582A	
EUPI400475-375B	EUP	4.000	4.750	0.375	0.413	RMD582	
GURI400475-375	GUR	4.000	4.750	0.375	0.438		
EUPI400475-500B	EUP	4.000	4.750	0.500	0.550	RMD570	
EUPI400475-580B	EUP	4.000	4.750	0.580	0.625		
EUPI400475-625B	EUP	4.000	4.750	0.625	0.687	RMD571	
R97I400475-625	R97	4.000	4.750	0.625	0.687	R30410	
ERA400475-625	ERA	4.000	4.750	0.625	0.687	R30026	
SRI400475-656	SRI	4.000	4.750	0.656	0.676	R30570	
HBT400483-305	HBT	4.000	4.830	0.305	0.320		
EUPI400487-437A	EUP	4.000	4.875	0.437	0.462	RMD697A	
EUPI400487-437B	EUP	4.000	4.875	0.437	0.462	RMD697	
SRFI400487-656	SRF	4.000	4.875	0.656	0.676	R88624	
EUPI400487-750B	EUP	4.000	4.875	0.750	0.825	RMD1346	
EUPI400500-455B	EUP	4.000	5.000	0.455	0.500	R00105	MUS38
EUPI400500-500A	EUP	4.000	5.000	0.500	0.550	RMD724A	
EUPI400500-500B	EUP	4.000	5.000	0.500	0.550	RMD724	
EUPI400500-686B	EUP	4.000	5.000	0.686	0.755	R00036	L38
SRFI400500-725H	SRF	4.000	5.000	0.725	0.750		
SRI400500-725	SRI	4.000	5.000	0.725	0.750	RK2931	
EUPI400500-750B	EUP	4.000	5.000	0.750	0.825		
R97I400500-750	R97	4.000	5.000	0.750	0.825	RMD1354	
EUPI400525-625A	EUP	4.000	5.250	0.625	0.687	RMD1390A	
EUPI400525-625B	EUP	4.000	5.250	0.625	0.687	RMD1390	
EUPI406481-375B	EUP	4.062	4.812	0.375	0.400	R09236	
EUPI406481-562B	EUP	4.062	4.812	0.562	0.587		
TRRI412449-280	TRR	4.125	4.495	0.280	0.280		
EUPI412450-187A	EUP	4.125	4.500	0.187	0.212	RMD202A	
EUPI412450-187B	EUP	4.125	4.500	0.187	0.212	RMD202	
EUPI412450-375B	EUP	4.125	4.500	0.375	0.413	RMD203	
EUPI412462-250A	EUP	4.125	4.625	0.250	0.275	RMD296A	
EUPI412462-250B	EUP	4.125	4.625	0.250	0.275	RMD296	
EUPI412462-562B	EUP	4.125	4.625	0.562	0.619	RMD1169	
EUPI412475-312A	EUP	4.125	4.750	0.312	0.343	RMD456A	
EUPI412475-312B	EUP	4.125	4.750	0.312	0.343	RMD456	
GURI412475-375	GUR	4.125	4.750	0.375	0.438		
EUPI412475-562B	EUP	4.125	4.750	0.562	0.619	RMD1250	
EUPI412487-375A	EUP	4.125	4.875	0.375	0.413	RMD572A	



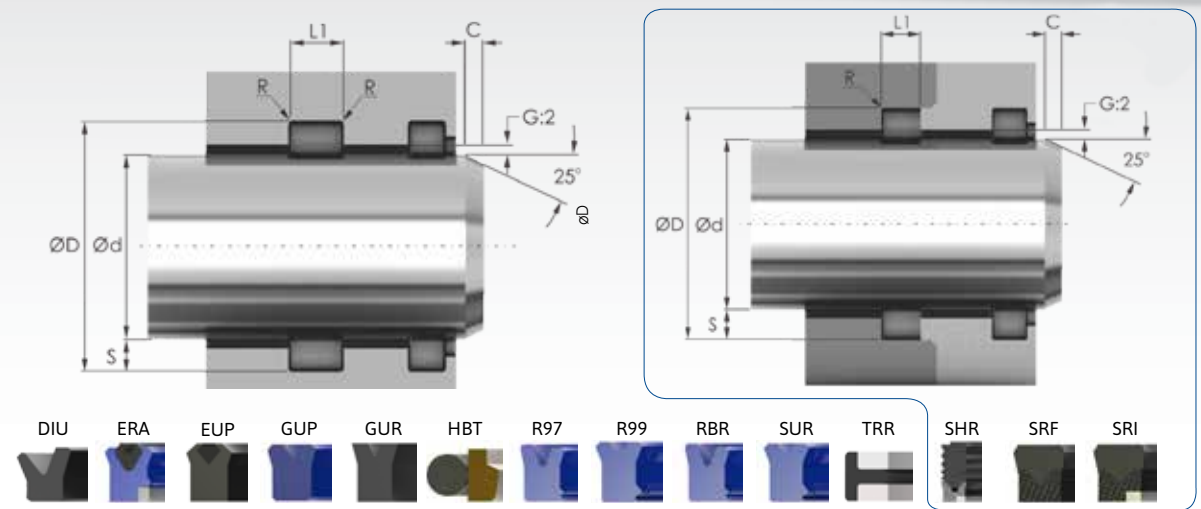
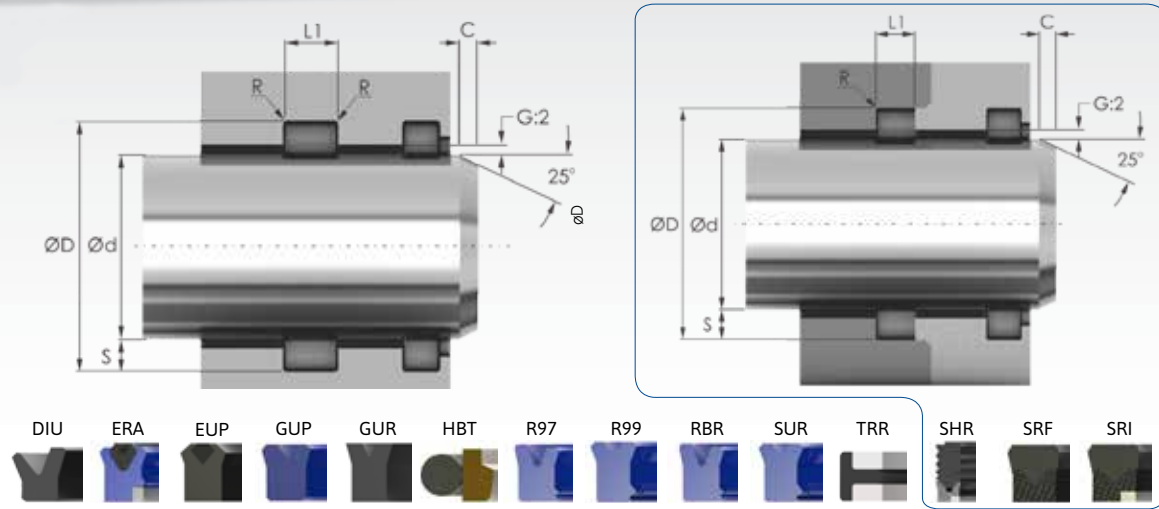
PART N°	PROFILE	HOUSING DIMENSIONS				REFERENCE N°	ALTERNATIVE REFERENCE N°
		Ød	ØD	SH	L1		
EUPI412487-375B	EUP	4.125	4.875	0.375	0.413	RMD572	
EUPI412487-500A	EUP	4.125	4.875	0.500	0.550	RMD1297A	
EUPI412487-500B	EUP	4.125	4.875	0.500	0.550	RMD1297	
EUPI412487-562B	EUP	4.125	4.875	0.562	0.587	R09237	L341
EUPI412487-625B	EUP	4.125	4.875	0.625	0.687	RMD569	
EUPI412487-750B	EUP	4.125	4.875	0.750	0.825	RMD574	
EUPI412512-500B	EUP	4.125	5.125	0.500	0.525		
TRRI425462-280	TRR	4.250	4.620	0.280	0.280		
EUPI425462-187A	EUP	4.250	4.625	0.187	0.212	RMD204A	
EUPI425462-187B	EUP	4.250	4.625	0.187	0.212	RMD204	
EUPI425462-312B	EUP	4.250	4.625	0.312	0.343	RMD949	
EUPI425462-375B	EUP	4.250	4.625	0.375	0.413	RMD996	
EUPI425475-250A	EUP	4.250	4.750	0.250	0.275	RMD1014A	
EUPI425475-250B	EUP	4.250	4.750	0.250	0.275	RMD1014	
SURI425475-250	SUR	4.250	4.750	0.250	0.281	RF5087	
EUPI425475-375B	EUP	4.250	4.750	0.375	0.413	RMD299	
EUPI425475-562B	EUP	4.250	4.750	0.562	0.619	RMD300	
EUPI425487-312A	EUP	4.250	4.875	0.312	0.343	RMD458A	
EUPI425487-312B	EUP	4.250	4.875	0.312	0.343	RMD458	
GURI425487-312	GUR	4.250	4.875	0.312	0.375		
EUPI425487-562B	EUP	4.250	4.875	0.562	0.587	RMD459	
SURI425500-344	SUR	4.250	5.000	0.344	0.375		
EUPI425500-341B	EUP	4.250	5.000	0.375	0.375	R09241	MU509
SURI425500-375	SUR	4.250	5.000	0.375	0.400	RF5088	SU65
EUPI425500-375A	EUP	4.250	5.000	0.375	0.413	RMD590A	
EUPI425500-375B	EUP	4.250	5.000	0.375	0.413	RMD590	
DIUI425500-375	DIU	4.250	5.000	0.375	0.437	RF5290	
EUPI425500-500B	EUP	4.250	5.000	0.500	0.550	RMD581	
GUPI425500-500	GUP	4.250	5.000	0.500	0.550	RMD1298	
EUPI425500-625B	EUP	4.250	5.000	0.625	0.687	RMD576	
GUPI425500-625	GUP	4.250	5.000	0.625	0.687	RMD1299	
EUPI425500-687B	EUP	4.250	5.000	0.687	0.730	R09240	L332
RBRI425523-220/1	RBR	4.250	5.230	0.220	0.250		
EUPI425525-455B	EUP	4.250	5.250	0.455	0.500	R00106	MU39
EUPI425525-500A	EUP	4.250	5.250	0.500	0.550	RMD1355A	
EUPI425525-500B	EUP	4.250	5.250	0.500	0.550	RMD1355	
EUPI425525-686B	EUP	4.250	5.250	0.686	0.755	R00037	L39
SRFI425525-750	SRF	4.250	5.250	0.750	0.790	R30497	
EUPI425525-750B	EUP	4.250	5.250	0.750	0.825	RMD1356	
EUPI425550-625A	EUP	4.250	5.500	0.625	0.687	RMD846A	
EUPI425550-625B	EUP	4.250	5.500	0.625	0.687	RMD846	
EUPI425550-750B	EUP	4.250	5.500	0.750	0.825	RMD1391	
TRRI437474-280	TRR	4.375	4.745	0.280	0.280		
EUPI437475-187A	EUP	4.375	4.750	0.187	0.212	RMD205A	
EUPI437475-187B	EUP	4.375	4.750	0.187	0.212	RMD205	

PART N°	PROFILE	HOUSING DIMENSIONS				REFERENCE N°	ALTERNATIVE REFERENCE N°
		Ød	ØD	SH	L1		
EUPI437475-375B	EUP	4.375	4.750	0.375	0.413	RMD206	
EUPI437487-250A	EUP	4.375	4.875	0.250	0.275	RMD301A	
EUPI437487-250B	EUP	4.375	4.875	0.250	0.275	RMD301	
EUPI437487-562B	EUP	4.375	4.875	0.562	0.619	RMD302	
EUPI437500-312A	EUP	4.375	5.000	0.312	0.343	RMD460A	
EUPI437500-312B	EUP	4.375	5.000	0.312	0.343	RMD460	
GURI437500-312	GUR	4.375	5.000	0.312	0.375		
EUPI437500-500B	EUP	4.375	5.000	0.500	0.550	RMD461	
EUPI437500-562B	EUP	4.375	5.000	0.562	0.619	RMD1251	
EUPI437500-625B	EUP	4.375	5.000	0.625	0.687	R30121	
EUPI437512-375A	EUP	4.375	5.125	0.375	0.413	RMD577A	
EUPI437512-375B	EUP	4.375	5.125	0.375	0.413	RMD577	
GURI437512-375	GUR	4.375	5.125	0.375	0.438		
EUPI437512-500B	EUP	4.375	5.125	0.500	0.550	RMD976	
EUPI437512-625B	EUP	4.375	5.125	0.625	0.687	RMD578	
RBRI437525-220/1	RBR	4.375	5.250	0.220	0.250		
EUPI437537-500A	EUP	4.375	5.375	0.500	0.550	RMD1357A	
EUPI437537-500B	EUP	4.375	5.375	0.500	0.550	RMD1357	
EUPI437537-750B	EUP	4.375	5.375	0.750	0.825	RMD728	
SURI443500-281	SUR	4.437	5.000	0.281	0.312	RF5092	
GURI443506-375	GUR	4.437	5.062	0.375	0.413		
EUPI450475-125A	EUP	4.500	4.750	0.125	0.138	RMD1035A	
EUPI450475-125B	EUP	4.500	4.750	0.125	0.138	RMD1035	
EUPI450475-187B	EUP	4.500	4.750	0.187	0.212	RMD1036	
TRRI450487-280	TRR	4.500	4.870	0.280	0.280		
EUPI450487-187A	EUP	4.500	4.875	0.187	0.212	RMD207A	
EUPI450487-187B	EUP	4.500	4.875	0.187	0.212	RMD207	
EUPI450487-375B	EUP	4.500	4.875	0.375	0.413	RMD208	
GUPI450487-375	GUP	4.500	4.875	0.375	0.413	RMD1105	
EUPI450500-250A	EUP	4.500	5.000	0.250	0.275	RMD305A	
EUPI450500-250B	EUP	4.500	5.000	0.250	0.275	RMD305	
GUPI450500-250	GUP	4.500	5.000	0.250	0.275	RMD1170	
SURI450500-250	SUR	4.500	5.000	0.250	0.275	R64066	
EUPI450500-312B	EUP	4.500	5.000	0.312	0.344	R09243	MU534
EUPI450500-375B	EUP	4.500	5.000	0.375	0.413	RMD307	
R97I450500-375	R97	4.500	5.000	0.375	0.413	R30412	
GUPI450500-375	GUP	4.500	5.000	0.375	0.413	R30218	
ERAI450500-375	ERA	4.500	5.000	0.375	0.413	R30027	
EUPI450500-500B	EUP	4.500	5.000	0.500	0.550	RMD306	
R97I450500-562	R97	4.500	5.000	0.560	0.619	RMD1172	
GUPI450500-562	GUP	4.500	5.000	0.562	0.619	RMD1171	
ERAI450500-562	ERA	4.500	5.000	0.562	0.619	R30028	
EUPI450500-562B	EUP	4.500	5.000	0.562	0.619	R09111	L443
EUPI450500-625B	EUP	4.500	5.000	0.625	0.687	RMD308	
R97I450500-625	R97	4.500	5.000	0.625	0.687	R30852	



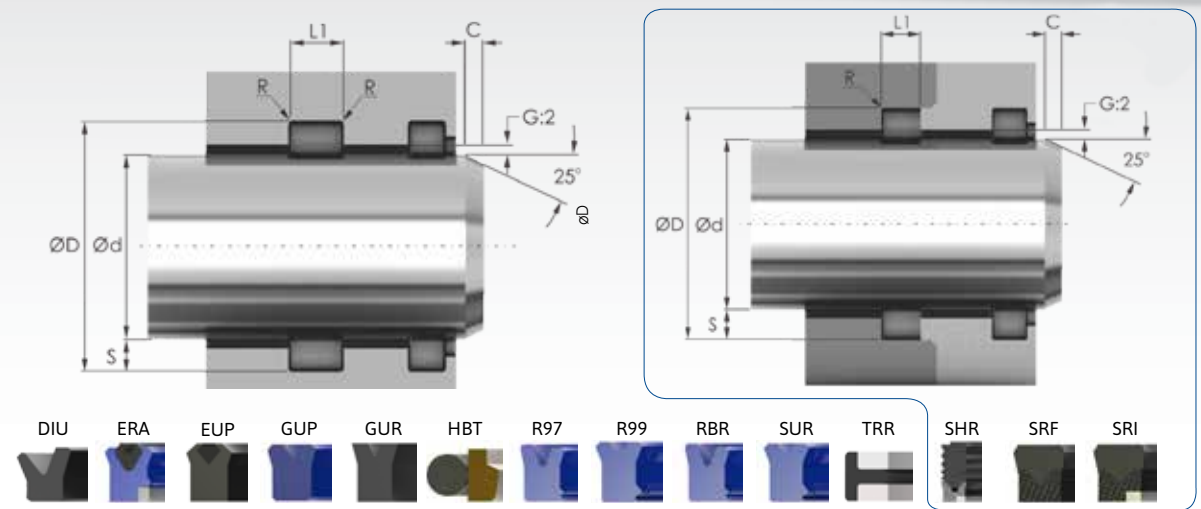
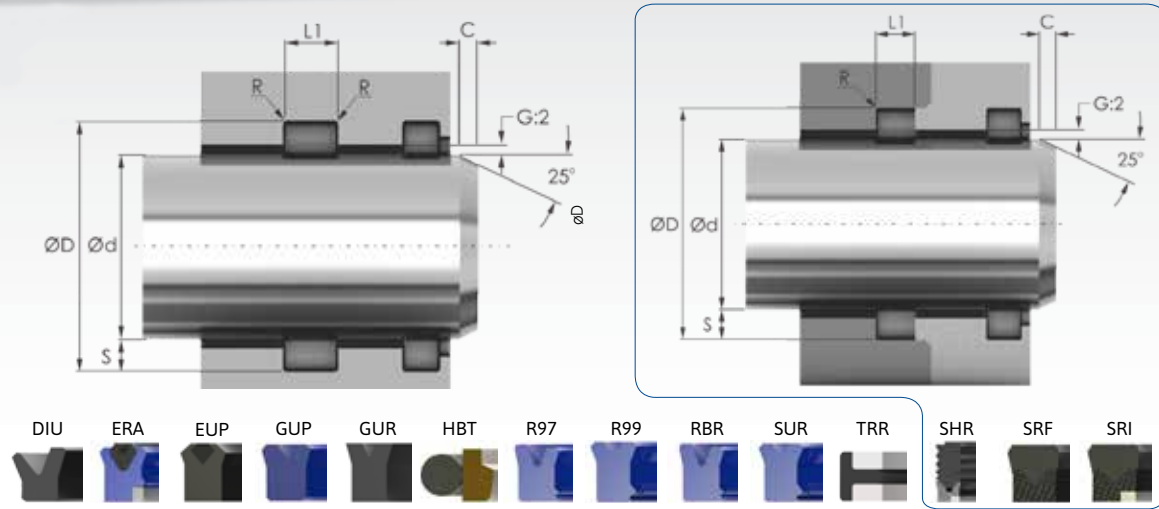
PART N°	PROFILE	HOUSING DIMENSIONS				REFERENCE N°	ALTERNATIVE REFERENCE N°
		Ød	ØD	SH	L1		
HBT1450511-235	HBT	4.500	5.110	0.235	0.250	R30252	
RBRI450512-235	RBR	4.500	5.116	0.235	0.247		
EUPI450512-312A	EUP	4.500	5.125	0.312	0.343	RMD463A	
EUPI450512-312B	EUP	4.500	5.125	0.312	0.343	RMD463	
EUPI450512-375B	EUP	4.500	5.125	0.375	0.413	RMD468	
R97I450512-500	R97	4.500	5.125	0.500	0.550	R30413	
EUPI450512-625B	EUP	4.500	5.125	0.625	0.687	RMD464	
R97I450512-625	R97	4.500	5.125	0.625	0.687	R30414	
ERAI450512-625	ERA	4.500	5.125	0.625	0.687	R30029	
EUPI450525-375A	EUP	4.500	5.250	0.375	0.413	RMD579A	
EUPI450525-375B	EUP	4.500	5.250	0.375	0.413	RMD579	
GUPI450525-375	GUP	4.500	5.250	0.375	0.413	RMD1300	
GURI450525-375	GUR	4.500	5.250	0.375	0.438		
EUPI450525-437B	EUP	4.500	5.250	0.437	0.462	R09245	MU508
EUPI450525-500B	EUP	4.500	5.250	0.500	0.550	RMD977	
GUPI450525-500	GUP	4.500	5.250	0.500	0.550	RMD1301	
EUPI450525-562B	EUP	4.500	5.250	0.562	0.595	R09244	L320
GUPI450525-562	GUP	4.500	5.250	0.562	0.619	RMD1302	
EUPI450525-625B	EUP	4.500	5.250	0.625	0.687	RMD580	
GUPI450525-625	GUP	4.500	5.250	0.625	0.687	RMD1303	
R97I450525-625	R97	4.500	5.250	0.625	0.687	R30415	
ERAI450525-625	ERA	4.500	5.250	0.625	0.687	R30030	
HBT1450533-305	HBT	4.500	5.330	0.305	0.320		
GURI450537-375	GUR	4.500	5.375	0.375	0.437		
EUPI450537-437A	EUP	4.500	5.375	0.437	0.462	RMD692A	
EUPI450537-437B	EUP	4.500	5.375	0.437	0.462	RMD692	
EUPI450537-750B	EUP	4.500	5.375	0.750	0.825	RMD1347	
RBRI450548-250	RBR	4.500	5.480	0.220	0.250		
EUPI450550-455B	EUP	4.500	5.500	0.455	0.500	R00107	MU40
R97I450550-500	R97	4.500	5.500	0.500	0.550	RMD1359	
EUPI450550-500A	EUP	4.500	5.500	0.500	0.550	RMD1358A	
EUPI450550-500B	EUP	4.500	5.500	0.500	0.550	RMD1358	
EUPI450550-686B	EUP	4.500	5.500	0.686	0.755	R00038	L40
EUPI450550-750B	EUP	4.500	5.500	0.750	0.825	RMD1360	
DIUI450575-562	DIU	4.500	5.750	0.500	0.562	R55678	
EUPI450575-625A	EUP	4.500	5.750	0.625	0.687	RMD1392A	
EUPI450575-625B	EUP	4.500	5.750	0.625	0.687	RMD1392	
EUPI450575-875B	EUP	4.500	5.750	0.875	0.900	R09246	L366
EUPI456506-500B	EUP	4.562	5.062	0.500	0.550		
EUPI462500-187A	EUP	4.625	5.000	0.187	0.212	RMD209A	
EUPI462500-187B	EUP	4.625	5.000	0.187	0.212	RMD209	
EUPI462500-375B	EUP	4.625	5.000	0.375	0.413	RMD1106	
EUPI462512-250A	EUP	4.625	5.125	0.250	0.275	RMD309A	
EUPI462512-250B	EUP	4.625	5.125	0.250	0.275	RMD309	
EUPI462512-562B	EUP	4.625	5.125	0.562	0.619	RMD310	

PART N°	PROFILE	HOUSING DIMENSIONS				REFERENCE N°	ALTERNATIVE REFERENCE N°
		Ød	ØD	SH	L1		
R97I462512-562	R97	4.625	5.125	0.562	0.619	RMD1173	
EUPI462525-562B	EUP	4.625	5.250	0.562	0.619	RMD978	
EUPI462525-625B	EUP	4.625	5.250	0.625	0.687	RMD465	
GUPI462525-625	GUP	4.625	5.250	0.625	0.687	R30885	
EUPI462537-375A	EUP	4.625	5.375	0.375	0.413		
EUPI462537-375B	EUP	4.625	5.375	0.375	0.413	RMD980	
EUPI462537-625B	EUP	4.625	5.375	0.625	0.687	RMD981	
GURI462550-375	GUR	4.625	5.500	0.375	0.437		
EUPI472550-375B	EUP	4.729	5.500	0.375	0.400	R09249	MU519
EUPI472550-562B	EUP	4.729	5.500	0.562	0.587	R09248	L350
EUPI475500-125A	EUP	4.750	5.000	0.125	0.138	R30124A	
EUPI475500-125B	EUP	4.750	5.000	0.125	0.138	R30124	
EUPI475512-187A	EUP	4.750	5.125	0.187	0.212	RMD1107A	
EUPI475512-187B	EUP	4.750	5.125	0.187	0.212	RMD1107	
R97I475512-375	R97	4.750	5.125	0.375	0.413	R30417	
EUPI475525-250A	EUP	4.750	5.250	0.250	0.275	RMD979A	
EUPI475525-250B	EUP	4.750	5.250	0.250	0.275	RMD979	
SURI475525-250	SUR	4.750	5.250	0.250	0.281	RF5096	
EUPI475525-375B	EUP	4.750	5.250	0.375	0.413	RMD312	
GUPI475525-375	GUP	4.750	5.250	0.375	0.413	RMD1174	
EUPI475525-562B	EUP	4.750	5.250	0.562	0.619	RMD313	
R97I475525-625	R97	4.750	5.250	0.625	0.687	R30418	
HBT1475536-235	HBT	4.750	5.360	0.235	0.250		
RBRI475537-235	RBR	4.750	5.366	0.235	0.247		
DIUI475537-281	DIU	4.750	5.375	0.281	0.344	RF5291	
EUPI475537-312A	EUP	4.750	5.375	0.312	0.343	RMD466A	
EUPI475537-312B	EUP	4.750	5.375	0.312	0.343	RMD466	
EUPI475537-625B	EUP	4.750	5.375	0.625	0.687	RMD467	
GUPI475550-375H	GUP	4.750	5.500	0.375	0.413		
EUPI475550-375A	EUP	4.750	5.500	0.375	0.413	RMD982A	
EUPI475550-375B	EUP	4.750	5.500	0.375	0.413	RMD982	
GURI475550-375	GUR	4.750	5.500	0.375	0.438		
EUPI475550-500B	EUP	4.750	5.500	0.500	0.550	RMD983	
GUPI475550-500	GUP	4.750	5.500	0.500	0.550	RMD1305	
EUPI475550-625B	EUP	4.750	5.500	0.625	0.687	RMD584	
EUPI475562-437B	EUP	4.750	5.625	0.437	0.462	R09251	MU525
EUPI475562-625B	EUP	4.750	5.625	0.625	0.687	RMD1348	
EUPI475562-750B	EUP	4.750	5.625	0.750	0.825	RMD694	
RBRI475573-220/1	RBR	4.750	5.730	0.220	0.250		
EUPI475575-455B	EUP	4.750	5.750	0.455	0.500	R00108	MU41
EUPI475575-500A	EUP	4.750	5.750	0.500	0.550	RMD1361A	
EUPI475575-500B	EUP	4.750	5.750	0.500	0.550	RMD1361	
EUPI475575-686B	EUP	4.750	5.750	0.686	0.755	R00039	L41
EUPI475575-750B	EUP	4.750	5.750	0.750	0.825	RMD1362	
EUPI475600-625A	EUP	4.750	6.000	0.625	0.687	RMD849A	



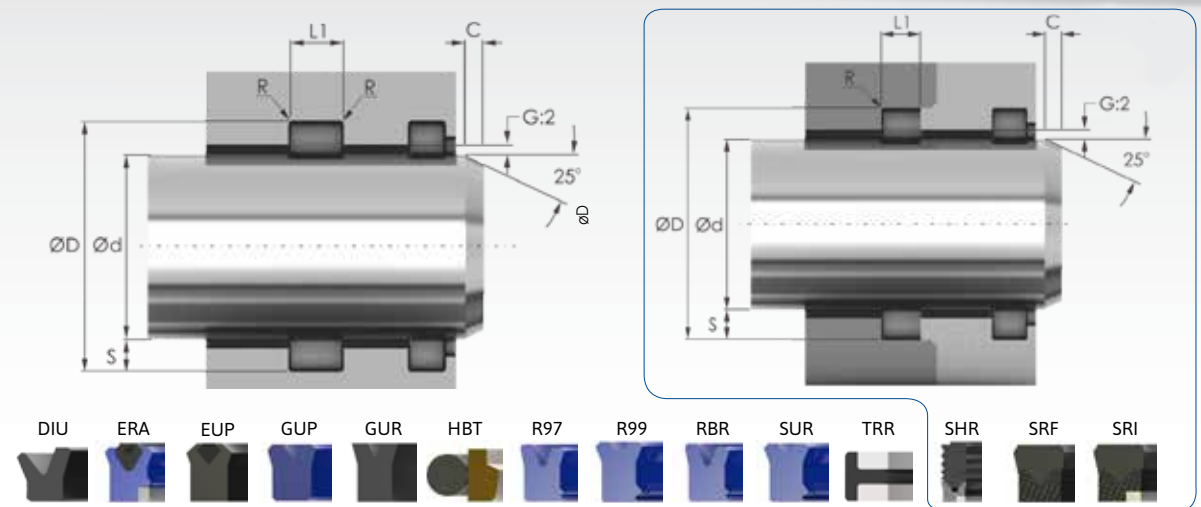
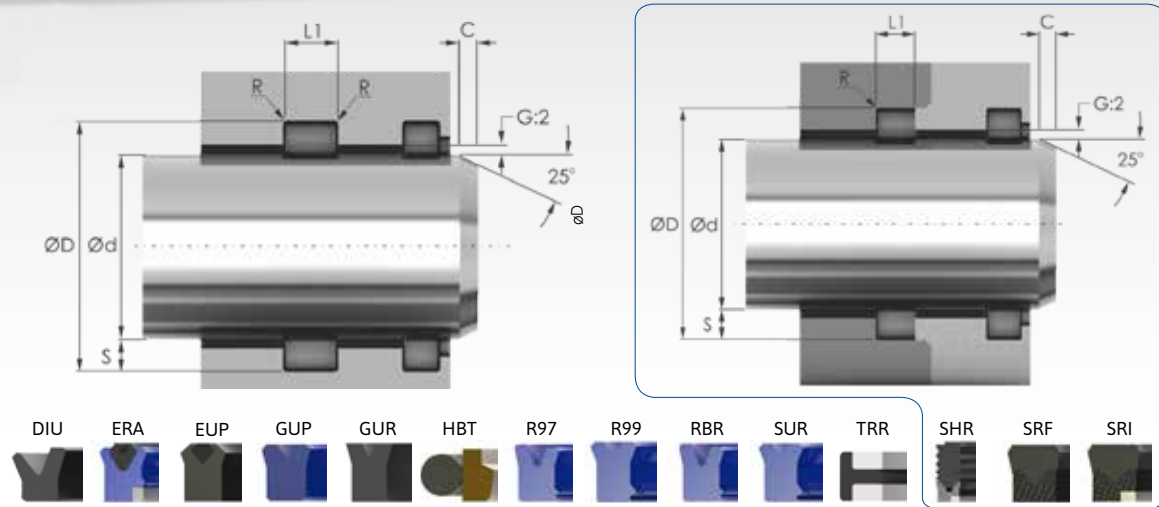
PART N°	PROFILE	HOUSING DIMENSIONS				REFERENCE N°	ALTERNATIVE REFERENCE N°
		Ød	ØD	SH	L1		
EUPI475600-625B	EUP	4.750	6.000	0.625	0.687	RMD849	
EUPI475600-750B	EUP	4.750	6.000	0.750	0.825	RMD850	
EUPI475600-1000A	EUP	4.750	6.000	1.000	1.100	RMD1393A	
EUPI475600-1000B	EUP	4.750	6.000	1.000	1.100	RMD1393	
EUPI475625-1250A	EUP	4.750	6.250	1.250	1.375	RMD1420A	
EUPI475625-1250B	EUP	4.750	6.250	1.250	1.375	RMD1420	
EUPI487525-187A	EUP	4.875	5.250	0.187	0.212	RMD1108A	
EUPI487525-187B	EUP	4.875	5.250	0.187	0.212	RMD1108	
EUPI487537-250A	EUP	4.875	5.375	0.250	0.275	RMD314A	
EUPI487537-250B	EUP	4.875	5.375	0.250	0.275	RMD314	
EUPI487537-375B	EUP	4.875	5.375	0.375	0.413	R30132	
EUPI487537-562B	EUP	4.875	5.375	0.562	0.619	RMD1175	
EUPI487550-312A	EUP	4.875	5.500	0.312	0.343	RMD1252A	
EUPI487550-312B	EUP	4.875	5.500	0.312	0.343	RMD1252	
EUPI487550-500B	EUP	4.875	5.500	0.500	0.550	RMD1253	
EUPI487562-375A	EUP	4.875	5.625	0.375	0.413	RMD585A	
EUPI487562-375B	EUP	4.875	5.625	0.375	0.413	RMD585	
GURI487562-375	GUR	4.875	5.625	0.375	0.438		
EUPI487562-625B	EUP	4.875	5.625	0.625	0.687	RMD586	
EUPI500537-187A	EUP	5.000	5.375	0.187	0.212	RMD1109A	
EUPI500537-187B	EUP	5.000	5.375	0.187	0.212	RMD1109	
EUPI500537-375A	EUP	5.000	5.375	0.375	0.413	RMD212A	
EUPI500537-375B	EUP	5.000	5.375	0.375	0.413	RMD212	
TRRI500547-366	TRR	5.000	5.475	0.366	0.366		
EUPI500550-250A	EUP	5.000	5.500	0.250	0.275	RMD318A	
EUPI500550-250B	EUP	5.000	5.500	0.250	0.275	RMD318	
EUPI500550-375B	EUP	5.000	5.500	0.375	0.413	RMD319	
GUPI500550-375	GUP	5.000	5.500	0.375	0.413	RMD1176	
R97I500550-375	R97	5.000	5.500	0.375	0.413	R30419	
EUPI500550-562B	EUP	5.000	5.500	0.562	0.619	RMD320	
GUPI500550-562	GUP	5.000	5.500	0.562	0.619	RMD1177	
ERA1500550-562	ERA	5.000	5.500	0.562	0.619	R30031	
R97I500550-562	R97	5.000	5.500	0.562	0.625	R30420	
SURI500556-281	SUR	5.000	5.562	0.281	0.312	RF5099	
EUPI500556-500A	EUP	5.000	5.562	0.500	0.550	RMD1216A	
EUPI500556-500B	EUP	5.000	5.562	0.500	0.550	RMD1216	
HBTI500559-240	HBT	5.000	5.594	0.240	0.248	R30255	
HBTI500561-235	HBT	5.000	5.610	0.235	0.250	R30256	
RBR1500562-235	RBR	5.000	5.616	0.235	0.247		
EUPI500562-312A	EUP	5.000	5.625	0.312	0.343	RMD469A	
EUPI500562-312B	EUP	5.000	5.625	0.312	0.343	RMD469	
GURI500562-312	GUR	5.000	5.625	0.312	0.375		
EUPI500562-625B	EUP	5.000	5.625	0.625	0.687	R30134	
EUPI500575-375A	EUP	5.000	5.750	0.375	0.413	RMD587A	
EUPI500575-375B	EUP	5.000	5.750	0.375	0.413	RMD587	

PART N°	PROFILE	HOUSING DIMENSIONS				REFERENCE N°	ALTERNATIVE REFERENCE N°
		Ød	ØD	SH	L1		
GURI500575-375	GUR	5.000	5.750	0.375	0.438		
EUPI500575-500B	EUP	5.000	5.750	0.500	0.550	RMD588	
DIUI500575-500	DIU	5.000	5.750	0.500	0.562	RF5292	
EUPI500575-625B	EUP	5.000	5.750	0.625	0.687	RMD589	
ERA1500575-625	ERA	5.000	5.750	0.625	0.687	R30033	
HBTI500583-305	HBT	5.000	5.830	0.305	0.320		
RBR1500596-220/1	RBR	5.000	5.960	0.220	0.250		
EUPI500600-375B	EUP	5.000	6.000	0.375	0.413	RMD733	
EUPI500600-455B	EUP	5.000	6.000	0.455	0.500	R00109	MU42
EUPI500600-500A	EUP	5.000	6.000	0.500	0.550	RMD986A	
EUPI500600-500B	EUP	5.000	6.000	0.500	0.550	RMD986	
GURI500600-500	GUR	5.000	6.000	0.500	0.563		
EUPI500600-686B	EUP	5.000	6.000	0.686	0.755	R00040	L42
SRFI500600-725H	SRF	5.000	6.000	0.725	0.750		
EUPI500600-750B	EUP	5.000	6.000	0.750	0.825	RMD734	
EUPI500625-625A	EUP	5.000	6.250	0.625	0.687	RMD1395A	
EUPI500625-625B	EUP	5.000	6.250	0.625	0.687	RMD1395	
EUPI500625-1000B	EUP	5.000	6.250	1.000	1.100	RMD1396	
EUPI512562-250A	EUP	5.125	5.625	0.250	0.275	RMD322A	
EUPI512562-250B	EUP	5.125	5.625	0.250	0.275	RMD322	
EUPI512575-312A	EUP	5.125	5.750	0.312	0.343	RMD1254A	
EUPI512575-312B	EUP	5.125	5.750	0.312	0.343	RMD1254	
SURI512575-312	SUR	5.125	5.750	0.312	0.344	RF5103	
GUPI512575-625	GUP	5.125	5.750	0.625	0.687	RMD1255	
EUPI512587-375A	EUP	5.125	5.875	0.375	0.413	RMD595A	
EUPI512587-375B	EUP	5.125	5.875	0.375	0.413	RMD595	
GURI512587-375	GUR	5.125	5.875	0.375	0.438		
EUPI512587-625B	EUP	5.125	5.875	0.625	0.687	RMD591	
SURI512600-437	SUR	5.125	6.000	0.436	0.500		
EUPI512600-437A	EUP	5.125	6.000	0.437	0.462	RMD696A	
EUPI512600-437B	EUP	5.125	6.000	0.437	0.462	RMD696	
EUPI512600-562B	EUP	5.125	6.000	0.562	0.650	R09059	L424
EUPI512612-500B	EUP	5.125	6.125	0.500	0.550	RMD735	
EUPI523652-800B	EUP	5.238	6.524	0.770	0.800		
TRRI525572-366	TRR	5.250	5.725	0.366	0.366		
EUPI525575-250A	EUP	5.250	5.750	0.250	0.275	RMD323A	
EUPI525575-250B	EUP	5.250	5.750	0.250	0.275	RMD323	
EUPI525575-375B	EUP	5.250	5.750	0.375	0.413	RMD324	
EUPI525575-562B	EUP	5.250	5.750	0.562	0.619	RMD325	
EUPI525587-312A	EUP	5.250	5.875	0.312	0.343		
EUPI525587-312B	EUP	5.250	5.875	0.312	0.343	RMD473	
EUPI525587-625B	EUP	5.250	5.875	0.625	0.687	RMD474	
SURI525600-375	SUR	5.250	6.000	0.375	0.406		
EUPI525600-375A	EUP	5.250	6.000	0.375	0.413	RMD592A	
EUPI525600-375B	EUP	5.250	6.000	0.375	0.413	RMD592	



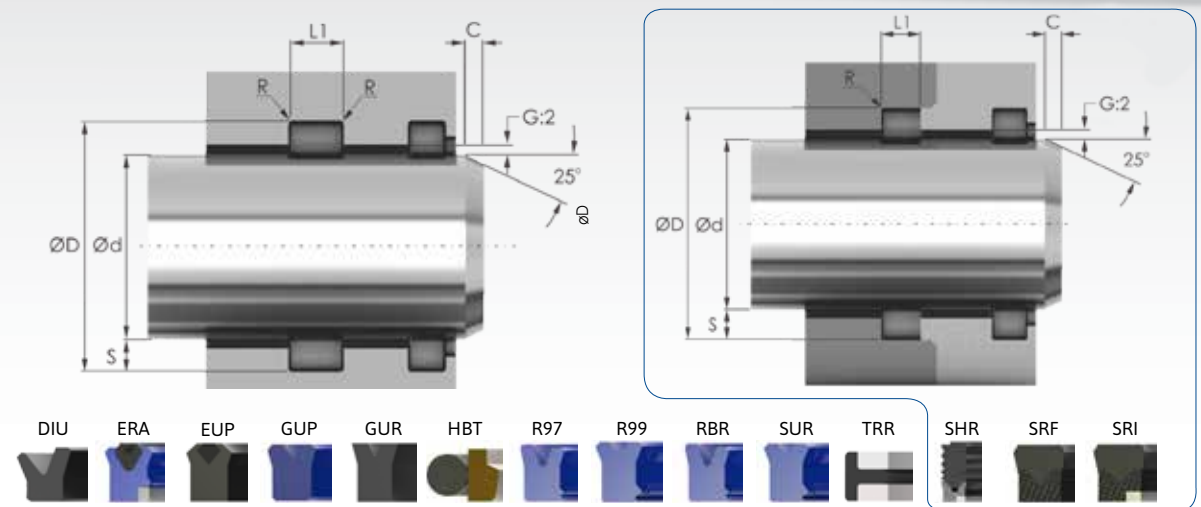
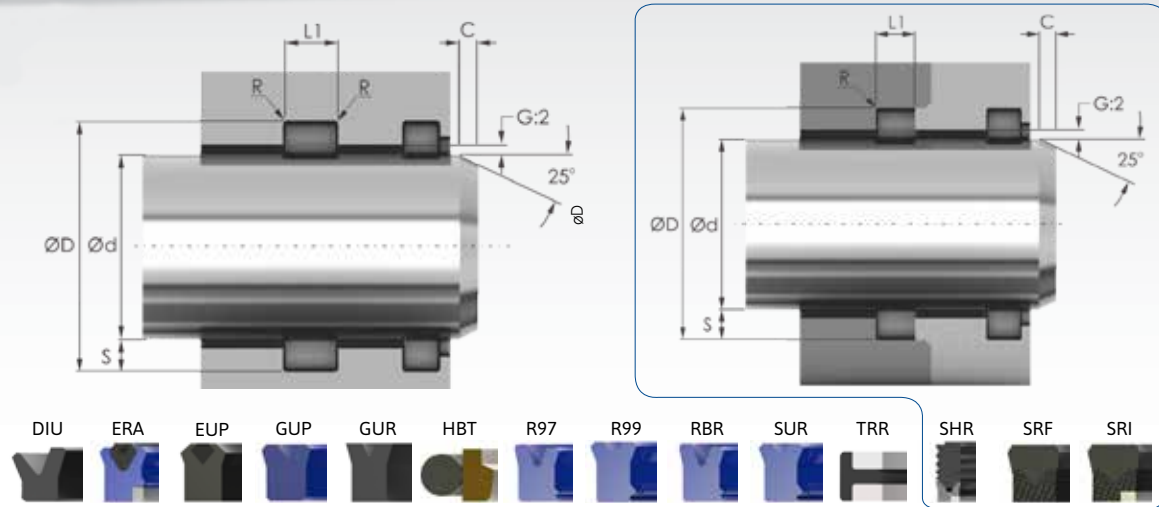
PART N°	PROFILE	HOUSING DIMENSIONS				REFERENCE N°	ALTERNATIVE REFERENCE N°
		Ød	ØD	SH	L1		
GUPI525600-375	GUP	5.250	6.000	0.375	0.413	RMD1306	
EUPI525600-500A	EUP	5.250	6.000	0.500	0.550	RMD593A	
EUPI525600-500B	EUP	5.250	6.000	0.500	0.550	RMD593	
GUPI525600-500	GUP	5.250	6.000	0.500	0.550	RMD1307	
DIUI525600-500	DIU	5.250	6.000	0.500	0.562	RF5293	
EUPI525600-562B	EUP	5.250	6.000	0.562	0.570	R09254	L345
EUPI525600-625B	EUP	5.250	6.000	0.625	0.687	RMD594	
GUPI525600-625	GUP	5.250	6.000	0.625	0.687	RMD1308	
EUPI525612-375B	EUP	5.250	6.125	0.375	0.400	R09256	MU501
EUPI525612-437B	EUP	5.250	6.125	0.437	0.462	R09257	MU505
EUPI525612-875B	EUP	5.250	6.125	0.875	0.900	R09258	L303
EUPI525625-455B	EUP	5.250	6.250	0.455	0.500	R00110	MU43
EUPI525625-500B	EUP	5.250	6.250	0.500	0.550	RMD1434	
EUPI525625-500A	EUP	5.250	6.250	0.500	0.550	RF2983A	
GURI525625-500	GUR	5.250	6.250	0.500	0.563		
EUPI525625-686B	EUP	5.250	6.250	0.686	0.755		
EUPI525625-750B	EUP	5.250	6.250	0.750	0.825	RMD1365	
EUPI525650-625A	EUP	5.250	6.500	0.625	0.687	RMD1397A	
EUPI525650-625B	EUP	5.250	6.500	0.625	0.687	RMD1397	
EUPI537587-250A	EUP	5.375	5.875	0.250	0.275	RMD326A	
EUPI537587-250B	EUP	5.375	5.875	0.250	0.275	RMD326	
GUPI537587-375	GUP	5.375	5.875	0.375	0.413	RMD1178	
SURI537600-280	SUR	5.375	6.000	0.281	0.312		
EUPI537600-312B	EUP	5.375	6.000	0.312	0.343	RMD475	
EUPI537600-312A	EUP	5.375	6.000	0.312	0.343	RMD1256	
SURI537600-312	SUR	5.375	6.000	0.312	0.344	RF5106	
EUPI537600-375B	EUP	5.375	6.000	0.375	0.413	RMD987	
EUPI537600-500B	EUP	5.375	6.000	0.500	0.550	RMD988	
GUPI537600-500	GUP	5.375	6.000	0.500	0.550	RMD1257	
EUPI537600-562B	EUP	5.375	6.000	0.562	0.619	RMD1258	
EUPI537600-625B	EUP	5.375	6.000	0.625	0.687	RMD905	
GUPI537600-625	GUP	5.375	6.000	0.625	0.687	RMD1259	
R97I537600-625	R97	5.375	6.000	0.625	0.687	R30428	
EUPI537612-375B	EUP	5.375	6.125	0.375	0.413	RMD1310	
EUPI537612-375A	EUP	5.375	6.125	0.375	0.413	RMD1309	
GURI537612-375	GUR	5.375	6.125	0.375	0.438		
EUPI537612-625B	EUP	5.375	6.125	0.625	0.687	RMD1311	
EUPI537637-500A	EUP	5.375	6.375	0.500	0.550	R30136A	
EUPI537637-500B	EUP	5.375	6.375	0.500	0.550	R30136	
EUPI543600-281A	EUP	5.437	6.000	0.281	0.312	RMD1217A	
EUPI543600-281B	EUP	5.437	6.000	0.281	0.312	RMD1217	
SURI543600-281	SUR	5.437	6.000	0.281	0.312	RF5108	
EUPI547637-375B	EUP	5.479	6.375	0.375	0.400	R09261	MU520
EUPI547637-625B	EUP	5.479	6.375	0.625	0.650	R09260	L351
EUPI550587-375B	EUP	5.500	5.875	0.375	0.400		

PART N°	PROFILE	HOUSING DIMENSIONS				REFERENCE N°	ALTERNATIVE REFERENCE N°
		Ød	ØD	SH	L1		
TRRI550597-366	TRR	5.500	5.975	0.366	0.366		
EUPI550600-250A	EUP	5.500	6.000	0.250	0.275	RMD328A	
EUPI550600-250B	EUP	5.500	6.000	0.250	0.275	RMD328	
GUPI550600-250	GUP	5.500	6.000	0.250	0.275	RMD1179	
EUPI550600-312B	EUP	5.500	6.000	0.312	0.340	R09262	MU535
EUPI550600-375B	EUP	5.500	6.000	0.375	0.413	RMD327	
R97I550600-375	R97	5.500	6.000	0.375	0.413	R30429	
ERA I550600-562	ERA	5.500	6.000	0.560	0.625	R30034	
EUPI550600-562B	EUP	5.500	6.000	0.562	0.619	RMD329	
R97I550600-562	R97	5.500	6.000	0.562	0.625	R30430	
HBTI550611-235	HBT	5.500	6.110	0.235	0.250	R30259	
RBR I550612-235	RBR	5.500	6.116	0.235	0.247		
RBR I550612-220/1	RBR	5.500	6.120	0.220	0.250		
EUPI550612-312A	EUP	5.500	6.125	0.312	0.343	R30137A	
EUPI550612-312B	EUP	5.500	6.125	0.312	0.343	R30137	
SURI550612-312	SUR	5.500	6.125	0.312	0.344	RF5109	
R97I550612-312	R97	5.500	6.125	0.312	0.344	R30431	
EUPI550612-625B	EUP	5.500	6.125	0.625	0.687	RMD1260	
DIUI550620-281	DIU	5.500	6.200	0.281	0.344	RF5294	
EUPI550625-375A	EUP	5.500	6.250	0.375	0.413	RMD598A	
EUPI550625-375B	EUP	5.500	6.250	0.375	0.413	RMD598	
EUPI550625-500B	EUP	5.500	6.250	0.500	0.550	R30138	
GUPI550625-625	GUP	5.500	6.250	0.625	0.687	RMD1312	
R97I550625-625	R97	5.500	6.250	0.625	0.687	R30432	
EUPI550625-625B	EUP	5.500	6.250	0.625	0.687	R30139	
HBTI550633-305	HBT	5.500	6.330	0.305	0.320		
EUPI550675-960B	EUP	5.500	6.375	0.960	1.000	R09264	L358
EUPI550650-455B	EUP	5.500	6.500	0.455	0.500	R00111	MU44
EUPI550650-500A	EUP	5.500	6.500	0.500	0.550	RMD737A	
EUPI550650-500B	EUP	5.500	6.500	0.500	0.550	RMD737	
GURI550650-500	GUR	5.500	6.500	0.500	0.562		
EUPI550650-686B	EUP	5.500	6.500	0.686	0.755	R00042	L44
SRFI550650-725H	SRF	5.500	6.500	0.725	0.750		
EUPI550650-750B	EUP	5.500	6.500	0.750	0.775	RF2984	
EUPI550675-625A	EUP	5.500	6.750	0.625	0.687	RMD1398A	
EUPI550675-625B	EUP	5.500	6.750	0.625	0.687	RMD1398	
TRRI562610-366	TRR	5.625	6.100	0.366	0.366		
EUPI562612-250A	EUP	5.625	6.125	0.250	0.275	RMD331A	
EUPI562612-250B	EUP	5.625	6.125	0.250	0.275	RMD331	
EUPI562612-562B	EUP	5.625	6.125	0.562	0.619	RMD1180	
EUPI562637-375A	EUP	5.625	6.375	0.375	0.413	RMD597A	
EUPI562637-375B	EUP	5.625	6.375	0.375	0.413	RMD597	
GUPI562637-625	GUP	5.625	6.375	0.625	0.687	RMD1313	
EUPI575625-250A	EUP	5.750	6.250	0.250	0.275	RMD332A	
EUPI575625-250B	EUP	5.750	6.250	0.250	0.275	RMD332	



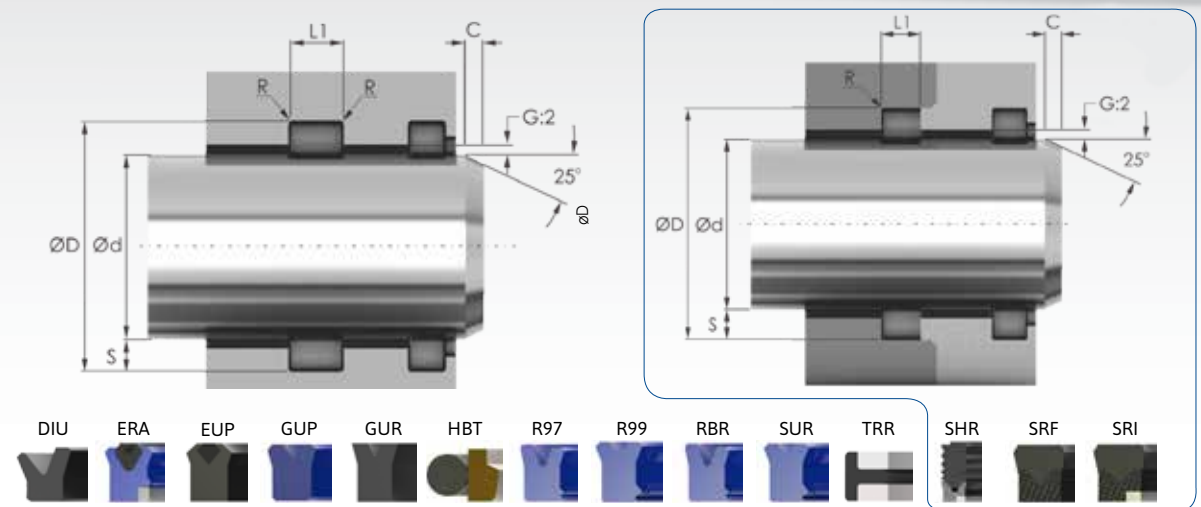
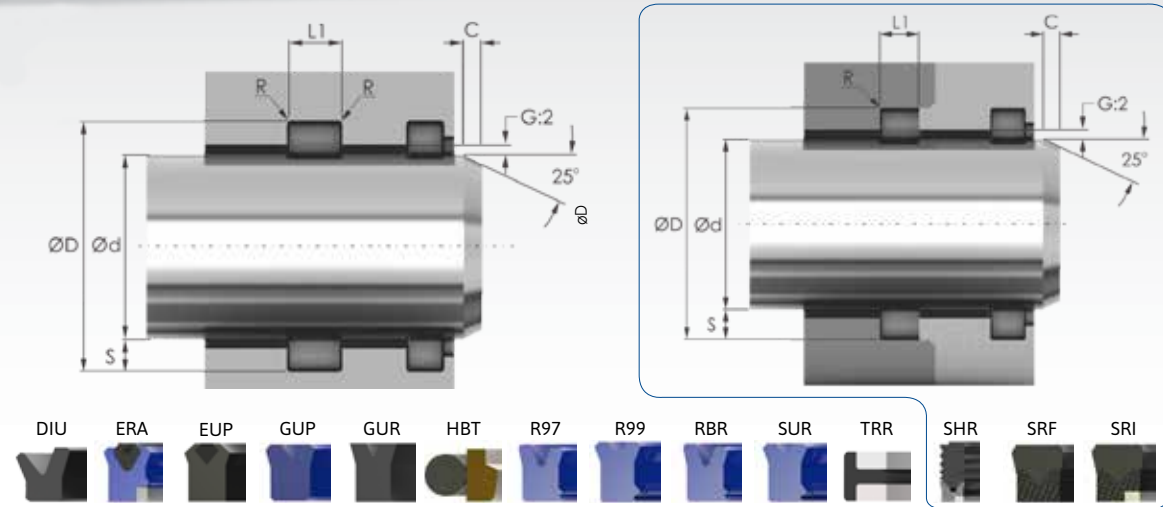
PART N°	PROFILE	HOUSING DIMENSIONS				REFERENCE N°	ALTERNATIVE REFERENCE N°
		Ød	ØD	SH	L1		
EUPI575625-375B	EUP	5.750	6.250	0.375	0.413	R30140	
EUPI575625-562B	EUP	5.750	6.250	0.562	0.619	RMD333	
EUPI575637-312B	EUP	5.750	6.375	0.312	0.343	R30141	
EUPI575637-625B	EUP	5.750	6.375	0.625	0.687	RMD1261	
GUPI625700-375	GUP	5.750	6.500	0.375	0.413		
GUPI575650-375	GUP	5.750	6.500	0.375	0.413	R30222	
EUPI575650-386A	EUP	5.750	6.500	0.386	0.425	R09266A	
EUPI575650-386B	EUP	5.750	6.500	0.386	0.425	R09266	MU504
GUPI575650-500	GUP	5.750	6.500	0.500	0.550	RMD1314	
EUPI575650-500B	EUP	5.750	6.500	0.500	0.550	R09265	L381
DIUI575650-500	DIU	5.750	6.500	0.500	0.562	RF5295	
EUPI575650-625B	EUP	5.750	6.500	0.625	0.687	RMD603	
GUPI575650-625	GUP	5.750	6.500	0.625	0.687	RMD1315	
RBR1575673-220/1	RBR	5.750	6.730	0.220	0.250		
EUPI575675-455B	EUP	5.750	6.750	0.455	0.500	R00112	MU45
EUPI575675-500A	EUP	5.750	6.750	0.500	0.550	RMD739A	
EUPI575675-500B	EUP	5.750	6.750	0.500	0.550	RMD739	
EUPI575675-686B	EUP	5.750	6.750	0.686	0.755		
EUPI575675-750B	EUP	5.750	6.750	0.750	0.825	RMD740	
GURI575700-500	GUR	5.750	7.000	0.500	0.563		
EUPI575700-625A	EUP	5.750	7.000	0.625	0.687	RMD855A	
EUPI575700-625B	EUP	5.750	7.000	0.625	0.687	RMD855	
EUPI587637-250A	EUP	5.875	6.375	0.250	0.275	RMD1181A	
EUPI587637-250B	EUP	5.875	6.375	0.250	0.275	RMD1181	
EUPI587650-312A	EUP	5.875	6.500	0.312	0.343	RMD1262A	
EUPI587650-312B	EUP	5.875	6.500	0.312	0.343	RMD1262	
EUPI587662-375A	EUP	5.875	6.625	0.375	0.413	RMD1316A	
EUPI587662-375B	EUP	5.875	6.625	0.375	0.413	RMD1316	
EUPI587662-625B	EUP	5.875	6.625	0.625	0.687	RMD1317	
SURI593650-281	SUR	5.937	6.500	0.281	0.312	RF5112	
EUPI600637-187A	EUP	6.000	6.375	0.187	0.212	RMD1111A	
EUPI600637-187B	EUP	6.000	6.375	0.187	0.212	RMD1111	
EUPI600637-375B	EUP	6.000	6.437	0.375	0.413	RMD1112	
TRRI600647-366	TRR	6.000	6.475	0.366	0.366		
EUPI600650-250A	EUP	6.000	6.500	0.250	0.275	RMD334A	
EUPI600650-250B	EUP	6.000	6.500	0.250	0.275	RMD334	
EUPI600650-375B	EUP	6.000	6.500	0.375	0.413	RMD335	
GUPI600650-375	GUP	6.000	6.500	0.375	0.413	RMD1182	
EUPI600650-437B	EUP	6.000	6.500	0.437	0.480	RMD1183	
EUPI600650-500B	EUP	6.000	6.500	0.500	0.550	R30143	
EUPI600650-562B	EUP	6.000	6.500	0.562	0.619	RMD337	
GUPI600650-562	GUP	6.000	6.500	0.562	0.619	RMD1184	
HBT1600661-235	HBT	6.000	6.610	0.235	0.250	R30261	
RBR1600662-235	RBR	6.000	6.616	0.235	0.247		
EUPI600662-312A	EUP	6.000	6.625	0.312	0.343	RMD1263	

PART N°	PROFILE	HOUSING DIMENSIONS				REFERENCE N°	ALTERNATIVE REFERENCE N°
		Ød	ØD	SH	L1		
EUPI600662-312B	EUP	6.000	6.625	0.312	0.343	R30144	
SURI600662-312	SUR	6.000	6.625	0.312	0.344	RF5113	
EUPI600662-625B	EUP	6.000	6.625	0.625	0.687	RMD480	
EUPI600675-375A	EUP	6.000	6.750	0.375	0.413	RMD605A	
EUPI600675-375B	EUP	6.000	6.750	0.375	0.413	RMD605	
DIUI600675-375	DIU	6.000	6.750	0.375	0.437	RF5296	
EUPI600675-500B	EUP	6.000	6.750	0.500	0.550	R30145	
EUPI600675-625B	EUP	6.000	6.750	0.625	0.687	RMD606	
ERA1600675-625	ERA	6.000	6.750	0.625	0.687	R30036	
EUPI600700-455B	EUP	6.000	7.000	0.455	0.500	R00113	MU46
EUPI600700-500A	EUP	6.000	7.000	0.500	0.550	RMD741A	
EUPI600700-500B	EUP	6.000	7.000	0.500	0.550	RMD741	
EUPI600700-686B	EUP	6.000	7.000	0.686	0.755		
EUPI600700-750B	EUP	6.000	7.000	0.750	0.825	RMD742	
GURI600725-500	GUR	6.000	7.250	0.500	0.562		
EUPI600725-625A	EUP	6.000	7.250	0.625	0.687	RMD1399	
HBT1600683-305	HBT	6.000	8.580	0.305	0.320		
SURI612700-375	SUR	6.125	7.000	0.375	0.400	RF5115	SU75
EUPI622725-500B	EUP	6.229	7.250	0.500	0.525	R09269	MU521
EUPI622725-750B	EUP	6.229	7.250	0.750	0.775	R09268	L352
EUPI625662-312B	EUP	6.250	6.625	0.312	0.340		
TRRI625672-366	TRR	6.250	6.725	0.366	0.366		
EUPI625675-250A	EUP	6.250	6.750	0.250	0.275	RMD340A	
EUPI625675-250B	EUP	6.250	6.750	0.250	0.275	RMD340	
EUPI625675-312B	EUP	6.250	6.750	0.312	0.337		
EUPI625675-375B	EUP	6.250	6.750	0.375	0.400		
EUPI625675-562B	EUP	6.250	6.750	0.562	0.619	RMD1185	
EUPI625687-312A	EUP	6.250	6.875	0.312	0.343	RMD488A	
EUPI625687-312B	EUP	6.250	6.875	0.312	0.343	RMD488	
EUPI625700-375A	EUP	6.250	7.000	0.375	0.413	RMD555A	
EUPI625700-375B	EUP	6.250	7.000	0.375	0.413	RMD555	
SURI625700-500	SUR	6.250	7.000	0.500	0.531		
GUPI625700-500	GUP	6.250	7.000	0.500	0.550	RMD1318	
EUPI625700-500A	EUP	6.250	7.000	0.500	0.550	RF2985A	
EUPI625700-500B	EUP	6.250	7.000	0.500	0.550	RF2985	
DIUI625700-500	DIU	6.250	7.000	0.500	0.562	RF5297	
EUPI625700-625B	EUP	6.250	7.000	0.625	0.687	RMD610	
GUPI625700-625	GUP	6.250	7.000	0.625	0.687	RMD1319	
EUPI625700-625BM	EUP	6.250	7.000	0.625	0.688		
EUPI625725-500A	EUP	6.250	7.250	0.500	0.550	R30146A	
EUPI625725-500B	EUP	6.250	7.250	0.500	0.550	R30146	
EUPI625725-750B	EUP	6.250	7.250	0.750	0.825	R30147	
EUPI625750-625A	EUP	6.250	7.500	0.625	0.687	RMD1400A	
EUPI625750-625B	EUP	6.250	7.500	0.625	0.687	RMD1400	
GURI625750-625	GUR	6.250	7.500	0.625	0.688		



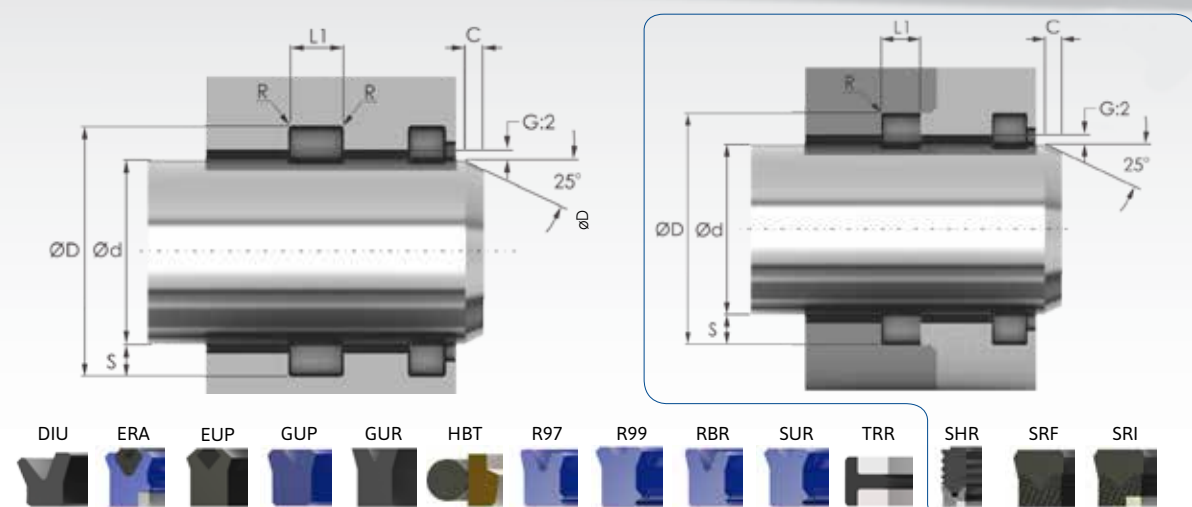
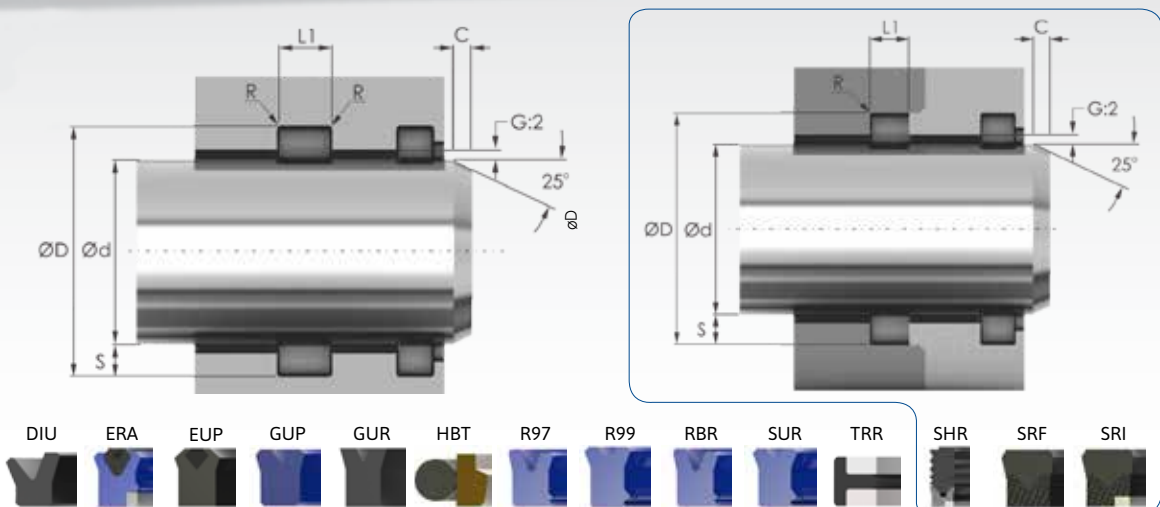
PART N°	PROFILE	HOUSING DIMENSIONS				REFERENCE N°	ALTERNATIVE REFERENCE N°
		Ød	ØD	SH	L1		
EUPI625750-914B	EUP	6.250	7.500	0.914	1.005	R00046	L48
SRFI625750-1000	SRF	6.250	7.500	1.000	1.040		
EUPI637700-312A	EUP	6.375	7.000	0.312	0.343	RMD490A	
EUPI637700-312B	EUP	6.375	7.000	0.312	0.343	RMD490	
SURI637700-312	SUR	6.375	7.000	0.312	0.344	RF5117	
EUPI637700-562B	EUP	6.375	7.000	0.562	0.587		
EUPI637700-625B	EUP	6.375	7.000	0.625	0.687	RMD485	
EUPI637712-375A	EUP	6.375	7.125	0.375	0.413	RMD1320A	
EUPI637712-375B	EUP	6.375	7.125	0.375	0.413	RMD1320	
EUPI643700-281A	EUP	6.437	7.000	0.281	0.312	RMD1218A	
EUPI643700-281B	EUP	6.437	7.000	0.281	0.312	RMD1218	
TRRI650697-366	TRR	6.500	6.975	0.366	0.366		
EUPI650700-250A	EUP	6.500	7.000	0.250	0.275	R30148A	
EUPI650700-250B	EUP	6.500	7.000	0.250	0.275	R30148	
EUPI650700-312B	EUP	6.500	7.000	0.312	0.337	R09272	MU536
EUPI650700-375B	EUP	6.500	7.000	0.375	0.413	RMD341	
R97I650700-375	R97	6.500	7.000	0.375	0.413	RMD1187	
EUPI650700-375R	EUP	6.500	7.000	0.375	0.413	RMD1186	
EUPI650700-500B	EUP	6.500	7.000	0.500	0.550	R30149	
EUPI650700-562B	EUP	6.500	7.000	0.562	0.619	RMD342	
R97I650700-562	R97	6.500	7.000	0.562	0.619	RMD1188	
EUPI650712-625B	EUP	6.500	7.000	0.625	0.687	R30150	
HBTI650711-235	HBT	6.500	7.110	0.235	0.250		
RBRi650712-235	RBR	6.500	7.116	0.235	0.247		
EUPI650712-312A	EUP	6.500	7.125	0.312	0.343	RMD486A	
EUPI650712-312B	EUP	6.500	7.125	0.312	0.343	RMD486	
EUPI650725-375A	EUP	6.500	7.250	0.375	0.413	R30151A	
EUPI650725-375B	EUP	6.500	7.250	0.375	0.413	R30151	
EUPI650725-500B	EUP	6.500	7.250	0.500	0.550	R09274	L342
DIUI650725-500	DIU	6.500	7.250	0.500	0.562	RF5298	
EUPI650725-625B	EUP	6.500	7.250	0.625	0.687	RMD611	
RBRi650750-220/1	RBR	6.500	7.500	0.220	0.250		
EUPI650750-500A	EUP	6.500	7.500	0.500	0.550	RMD745A	
EUPI650750-500B	EUP	6.500	7.500	0.500	0.550	RMD745	
EUPI650750-625B	EUP	6.500	7.500	0.625	0.650	R09275	L329
EUPI650750-750B	EUP	6.500	7.500	0.750	0.825	RMD746	
EUPI650775-568B	EUP	6.500	7.750	0.568	0.625	R00116	MU49
EUPI650775-625A	EUP	6.500	7.750	0.625	0.687	RMD1401	
EUPI650775-914B	EUP	6.500	7.750	0.914	1.005	R00047	L49
GURI650800-750	GUR	6.500	8.000	0.750	0.813		
EUPI662725-312A	EUP	6.625	7.250	0.312	0.343	RMD1264A	
EUPI662725-312B	EUP	6.625	7.250	0.312	0.343	RMD1264	
EUPI675725-250B	EUP	6.750	7.250	0.250	0.275	R09277	MU561
EUPI675725-375B	EUP	6.750	7.250	0.375	0.413	RMD344	
R97I675725-375	R97	6.750	7.250	0.375	0.413	RMD1189	

PART N°	PROFILE	HOUSING DIMENSIONS				REFERENCE N°	ALTERNATIVE REFERENCE N°
		Ød	ØD	SH	L1		
EUPI675725-562B	EUP	6.750	7.250	0.562	0.619	RMD228	
EUPI675737-312B	EUP	6.750	7.375	0.312	0.340	R30153	
EUPI675737-625B	EUP	6.750	7.375	0.625	0.687	R30154	
EUPI675750-375A	EUP	6.750	7.500	0.375	0.413	RMD613A	
EUPI675750-375B	EUP	6.750	7.500	0.375	0.413	RMD613	
EUPI675750-460BM	EUP	6.750	7.500	0.460	0.506		
GUPI675750-500	GUP	6.750	7.500	0.500	0.550		
EUPI675750-500B	EUP	6.750	7.500	0.500	0.550	R30155	
EUPI675750-625B	EUP	6.750	7.500	0.625	0.687	RMD616	
GUPI675750-625	GUP	6.750	7.500	0.625	0.687	RMD1322	
EUPI675775-500A	EUP	6.750	7.750	0.500	0.550	RMD1366	
EUPI675775-750B	EUP	6.750	7.750	0.750	0.825	RMD1367	
EUPI675800-568B	EUP	6.750	8.000	0.568	0.625	R00117	MU50
EUPI675800-625B	EUP	6.750	8.000	0.625	0.687	RMD1403	
EUPI675800-625A	EUP	6.750	8.000	0.625	0.687	RMD1402	
EUPI675800-914B	EUP	6.750	8.000	0.914	1.005	R00048	L50
GURI675825-750	GUR	6.750	8.250	0.750	0.812		
GURI675850-750	GUR	6.750	8.500	0.750	0.813		
EUPI687762-625B	EUP	6.875	7.625	0.625	0.687	RMD1323	
TRRI700747-366	TRR	7.000	7.475	0.366	0.366		
EUPI700750-250A	EUP	7.000	7.500	0.250	0.275	RMD1190A	
EUPI700750-250B	EUP	7.000	7.500	0.250	0.275	RMD1013	
DIUI700750-281	DIU	7.000	7.500	0.281	0.344	RF5300	
GUPI700750-375	GUP	7.000	7.500	0.375	0.413	RMD1193	
EUPI700750-375B	EUP	7.000	7.500	0.375	0.413	RMD1192	
EUPI700750-562B	EUP	7.000	7.500	0.562	0.619	RMD348	
HBTI700761-235	HBT	7.000	7.610	0.235	0.250	R30263	
RBRi700762-235	RBR	7.000	7.616	0.235	0.247		
EUPI700762-312B	EUP	7.000	7.625	0.312	0.343	R30157	
EUPI700762-625B	EUP	7.000	7.625	0.625	0.687	R30158	
EUPI700775-375A	EUP	7.000	7.750	0.375	0.413	RMD614A	
EUPI700775-375B	EUP	7.000	7.750	0.375	0.413	RMD614	
EUPI700775-500B	EUP	7.000	7.750	0.500	0.550	RMD615	
EUPI700775-625B	EUP	7.000	7.750	0.625	0.687	RMD621	
ERAi700775-625	ERA	7.000	7.750	0.625	0.687	R30037	
GURI700775-625	GUR	7.000	7.750	0.625	0.688		
HBTI700783-305	HBT	7.000	7.830	0.305	0.320		
RBRi700794-220/1	RBR	7.000	7.940	0.220	0.250		
EUPI700800-500A	EUP	7.000	8.000	0.500	0.550	RMD749A	
EUPI700800-500B	EUP	7.000	8.000	0.500	0.550	RMD749	
SURI700800-500	SUR	7.000	8.000	0.500	0.550	RF5123	SU80
GURI700800-500	GUR	7.000	8.000	0.500	0.550	R30223	
SRFI700800-625H	SRF	7.000	8.000	0.662	0.687		
EUPI700800-750B	EUP	7.000	8.000	0.750	0.825	RMD750	
EUPI700800-875B	EUP	7.000	8.000	0.875	0.900	R09279	L316



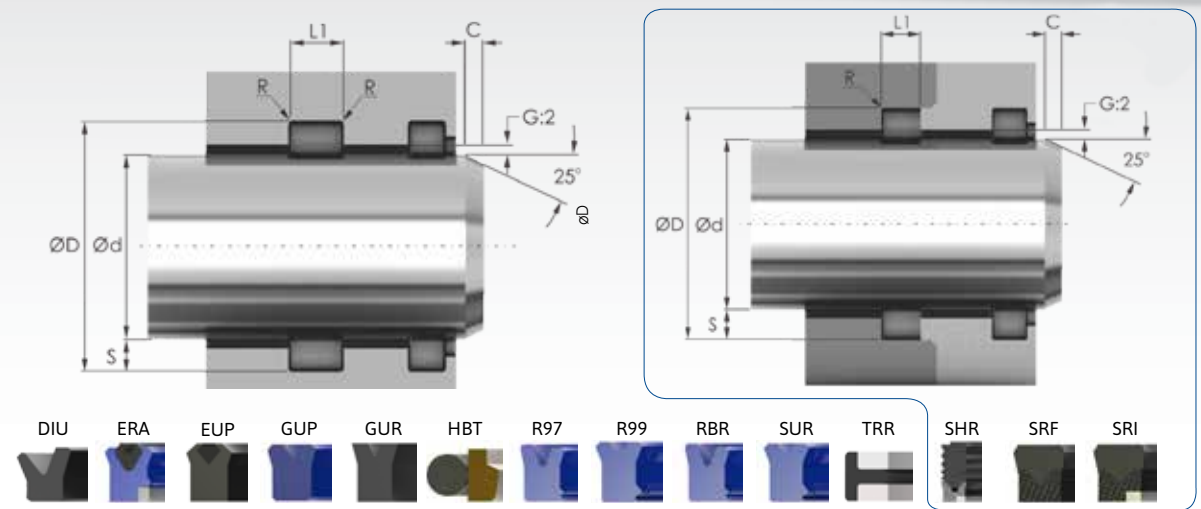
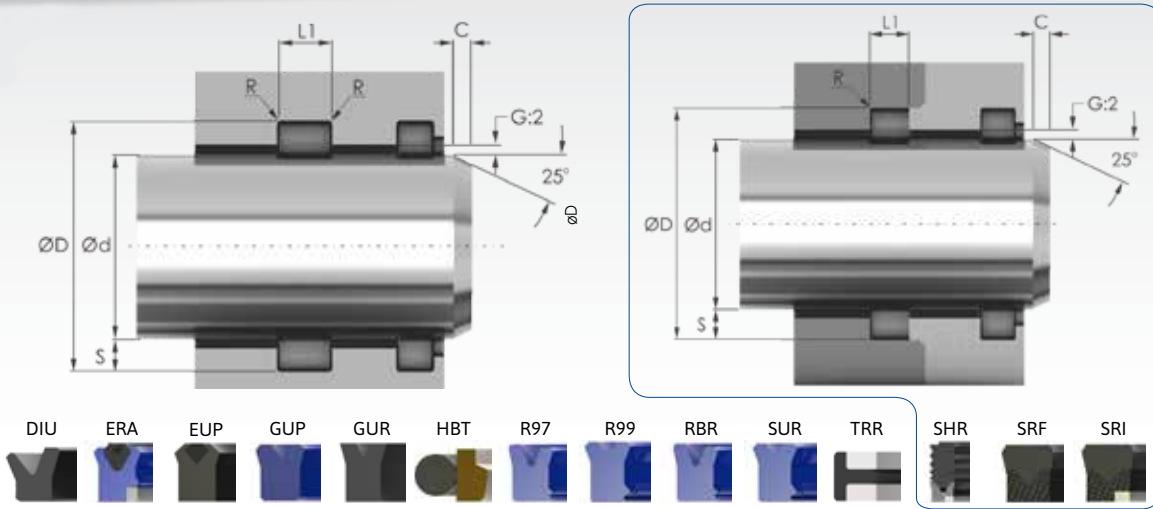
PART N°	PROFILE	HOUSING DIMENSIONS				REFERENCE N°	ALTERNATIVE REFERENCE N°
		Ød	ØD	SH	L1		
EUPI700825-568B	EUP	7.000	8.250	0.568	0.625	R00118	MU51
EUPI700825-625A	EUP	7.000	8.250	0.625	0.687	RMD860A	
EUPI700825-625B	EUP	7.000	8.250	0.625	0.687	RMD860	
EUPI700825-914B	EUP	7.000	8.250	0.914	1.005		
EUPI700850-750A	EUP	7.000	8.500	0.750	0.825	RMD1421A	
EUPI700850-750B	EUP	7.000	8.500	0.750	0.825	RMD1421	
EUPI725775-250A	EUP	7.250	7.750	0.250	0.275	RMD1000A	
EUPI725775-250B	EUP	7.250	7.750	0.250	0.275	RMD1000	
EUPI725775-562B	EUP	7.250	7.750	0.562	0.619	R30159	
EUPI725787-312A	EUP	7.250	7.875	0.312	0.343	RMD491A	
EUPI725787-312B	EUP	7.250	7.875	0.312	0.343	RMD491	
EUPI725787-625B	EUP	7.250	7.875	0.625	0.687	R30160	
EUPI725800-375A	EUP	7.250	8.000	0.375	0.413	RMD622A	
EUPI725800-375B	EUP	7.250	8.000	0.375	0.413	RMD622	
DIUI725800-375	DIU	7.250	8.000	0.375	0.437	RF5301	
GURI725800-437	GUR	7.250	8.000	0.437	0.500		
GUPI725800-500	GUP	7.250	8.000	0.500	0.550		
EUPI725800-500B	EUP	7.250	8.000	0.500	0.550	R30161	
EUPI725800-625B	EUP	7.250	8.000	0.625	0.687	RMD624	
GUPI725800-625	GUP	7.250	8.000	0.625	0.687	RMD1325	
EUPI725825-500A	EUP	7.250	8.250	0.500	0.550	R30162A	
EUPI725825-500B	EUP	7.250	8.250	0.500	0.550	R30162	
EUPI725825-750B	EUP	7.250	8.250	0.750	0.825	R30163	
EUPI725850-625A	EUP	7.250	8.500	0.625	0.687	RMD1404A	
EUPI725850-625B	EUP	7.250	8.500	0.625	0.687	RMD1404	
EUPI725850-914B	EUP	7.250	8.500	0.914	1.005	R00050	L52
GURI725875-750	GUR	7.250	8.750	0.750	0.813		
EUPI737800-312A	EUP	7.375	8.000	0.312	0.343	RMD494A	
EUPI737800-312B	EUP	7.375	8.000	0.312	0.343	RMD494	
SURI737800-312	SUR	7.375	8.000	0.312	0.344	R07884	S1683
EUPI737800-562B	EUP	7.375	8.000	0.562	0.587		
EUPI737800-625B	EUP	7.375	8.000	0.625	0.687	R30165	
DIUI750775-500	DIU	7.500	7.750	0.500	0.562		
TRRI750797-366	TRR	7.500	7.975	0.366	0.366		
EUPI750800-250A	EUP	7.500	8.000	0.250	0.275	R30167A	
EUPI750800-250B	EUP	7.500	8.000	0.250	0.275	R30167	
EUPI750800-375B	EUP	7.500	8.000	0.375	0.413	RMD349	
R97I750800-375	R97	7.500	8.000	0.375	0.413	R30443	
EUPI750800-562B	EUP	7.500	8.000	0.562	0.619	R30169	
RBR1750812-235	RBR	7.500	8.116	0.235	0.247		
EUPI750812-312A	EUP	7.500	8.125	0.312	0.343	RMD496A	
EUPI750812-312B	EUP	7.500	8.125	0.312	0.343	RMD496	
EUPI750812-375B	EUP	7.500	8.125	0.375	0.413	R09282	
SURI750825-375	SUR	7.500	8.250	0.375	0.400	RF5125	SU81
EUPI750825-375A	EUP	7.500	8.250	0.375	0.413	RMD626A	

PART N°	PROFILE	HOUSING DIMENSIONS				REFERENCE N°	ALTERNATIVE REFERENCE N°
		Ød	ØD	SH	L1		
EUPI750825-375B	EUP	7.500	8.250	0.375	0.413	RMD626	
EUPI750825-500B	EUP	7.500	8.250	0.500	0.550	RMD627	
DIUI750825-500	DIU	7.500	8.250	0.500	0.562	RF5302	
EUPI750825-625B	EUP	7.500	8.250	0.625	0.687	RMD628	
EUPI750850-500A	EUP	7.500	8.500	0.500	0.550	R30170A	
EUPI750850-500B	EUP	7.500	8.500	0.500	0.550	R30170	
EUPI750875-568B	EUP	7.500	8.750	0.568	0.625	R00120	MU53
EUPI750875-914B	EUP	7.500	8.750	0.914	1.005		
SRFI750875-100	SRF	7.500	8.750	1.000	1.040	R89042	
GURI750900-750	GUR	7.500	9.000	0.750	0.813		
EUPI762837-375A	EUP	7.625	8.375	0.375	0.413	RMD630A	
EUPI762837-375B	EUP	7.625	8.375	0.375	0.413	RMD630	
EUPI775825-250A	EUP	7.750	8.250	0.250	0.275	RMD350A	
EUPI775825-250B	EUP	7.750	8.250	0.250	0.275	RMD350	
EUPI775825-562B	EUP	7.750	8.250	0.562	0.619	RMD1196	
EUPI775837-312B	EUP	7.750	8.375	0.312	0.343	R30171	
EUPI775850-375A	EUP	7.750	8.500	0.375	0.413	R30172A	
EUPI775850-375B	EUP	7.750	8.500	0.375	0.413	R30172	
EUPI775850-500B	EUP	7.750	8.500	0.500	0.550	RMD619	
DIUI775850-500	DIU	7.750	8.500	0.500	0.562	RF5303	
EUPI775850-625B	EUP	7.750	8.500	0.625	0.687	RMD620	
EUPI775875-500A	EUP	7.750	8.750	0.500	0.550	RMD1368A	
EUPI775875-500B	EUP	7.750	8.750	0.500	0.550	RMD1368	
EUPI775875-750B	EUP	7.750	8.750	0.750	0.825	RMD1369	
EUPI775900-568B	EUP	7.750	9.000	0.568	0.625	R00121	MU54
EUPI775900-625A	EUP	7.750	9.000	0.625	0.687	RMD863A	
EUPI775900-625B	EUP	7.750	9.000	0.625	0.687	RMD863	
EUPI775900-914B	EUP	7.750	9.000	0.914	1.005	R00052	L54
GURI775925-750	GUR	7.750	9.250	0.750	0.813		
TRRI800847-366	TRR	8.000	8.475	0.366	0.366		
EUPI800850-250A	EUP	8.000	8.500	0.250	0.275	R09945A	
EUPI800850-250B	EUP	8.000	8.500	0.250	0.275	R09945	MU569
EUPI800850-375B	EUP	8.000	8.500	0.375	0.413	RMD1197	
R97I800850-375	R97	8.000	8.500	0.375	0.413	R30445	
EUPI800850-562B	EUP	8.000	8.500	0.562	0.619	RMD356	
HBTI800861-235	HBT	8.000	8.610	0.235	0.250		
RBR1800862-235	RBR	8.000	8.616	0.235	0.247		
EUPI800862-312B	EUP	8.000	8.625	0.312	0.343	R30174	
EUPI800875-375A	EUP	8.000	8.750	0.375	0.413	RMD632A	
EUPI800875-375B	EUP	8.000	8.750	0.375	0.413	RMD632	
EUPI800875-500B	EUP	8.000	8.750	0.500	0.550	R52614	
DIUI800875-500	DIU	8.000	8.750	0.500	0.562	RF5304	
EUPI800875-625B	EUP	8.000	8.750	0.625	0.687	RMD633	
HBTI800883-305	HBT	8.000	8.830	0.305	0.320		
EUPI800900-500A	EUP	8.000	9.000	0.500	0.550	RMD755A	



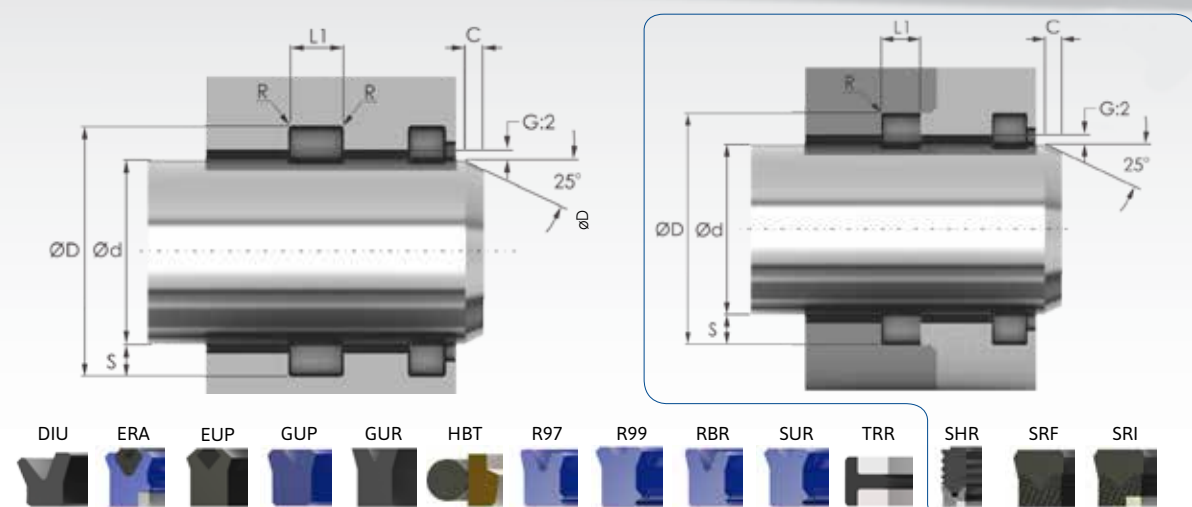
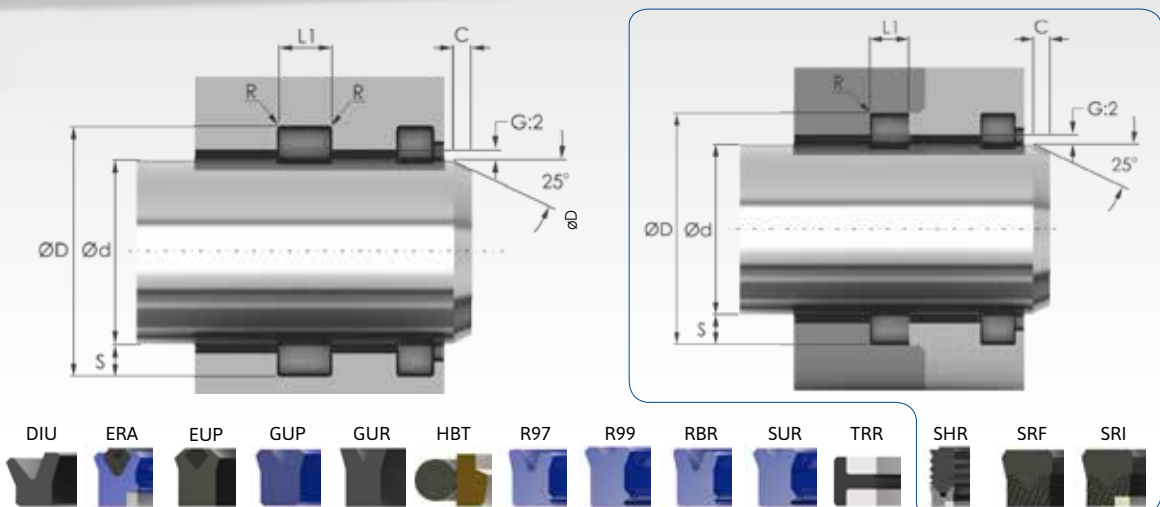
PART N°	PROFILE	HOUSING DIMENSIONS				REFERENCE N°	ALTERNATIVE REFERENCE N°
		Ød	ØD	SH	L1		
EUPI800900-500B	EUP	8.000	9.000	0.500	0.550	RMD755	
EUPI800900-568B	EUP	8.000	9.000	0.568	0.625	R09286	MU554
EUPI800900-750B	EUP	8.000	9.000	0.750	0.825	RMD758	
EUPI800925-568B	EUP	8.000	9.250	0.568	0.625	R00122	MU55
EUPI800925-625A	EUP	8.000	9.250	0.625	0.687	RMD864A	
EUPI800925-625B	EUP	8.000	9.250	0.625	0.687	RMD864	
EUPI800925-914B	EUP	8.000	9.250	0.914	1.005	R00053	L55
GURI800975-750	GUR	8.000	9.750	0.750	0.813		
EUPI812862-562B	EUP	8.125	8.625	0.562	0.619	RMD1199	
EUPI812912-500B	EUP	8.125	9.125	0.500	0.550	R30176	
EUPI825875-375B	EUP	8.250	8.750	0.375	0.413	RMD1200	
EUPI825875-437B	EUP	8.250	8.750	0.437	0.480	RMD1201	
EUPI825875-562B	EUP	8.250	8.750	0.562	0.619	RMD1202	
EUPI825887-312B	EUP	8.250	8.875	0.312	0.343	R30178	
EUPI825900-375A	EUP	8.250	9.000	0.375	0.413	RMD635A	
EUPI825900-375B	EUP	8.250	9.000	0.375	0.413	RMD635	
EUPI825900-500B	EUP	8.250	9.000	0.500	0.525		
DIUI825900-500	DIU	8.250	9.000	0.500	0.562	RF5305	
EUPI825900-625B	EUP	8.250	9.000	0.625	0.687	RMD636	
EUPI825925-500A	EUP	8.250	9.250	0.500	0.550	RMD1370A	
EUPI825925-500B	EUP	8.250	9.250	0.500	0.550	RMD1370	
EUPI825950-568B	EUP	8.250	9.500	0.568	0.625	R00123	MU56
GURI825950-625	GUR	8.250	9.500	0.625	0.688		
EUPI825950-812B	EUP	8.250	9.500	0.812	0.837	R09288	L370
EUPI825950-914B	EUP	8.250	9.500	0.914	1.005	R00054	L56
EUPI825950-1000B	EUP	8.250	9.500	1.000	1.100	RMD1405	
EUPI850900-250A	EUP	8.500	9.000	0.250	0.275	RMD358A	
EUPI850900-250B	EUP	8.500	9.000	0.250	0.275	RMD358	
EUPI850900-375B	EUP	8.500	9.000	0.375	0.413	RMD359	
R97I850900-375	R97	8.500	9.000	0.375	0.413	R30449	
EUPI850900-562B	EUP	8.500	9.000	0.562	0.619	R30180	
EUPI850912-312B	EUP	8.500	9.125	0.312	0.343	R30181	
EUPI850912-625B	EUP	8.500	9.125	0.625	0.687	R30182	
EUPI850925-375A	EUP	8.500	9.250	0.375	0.413	RMD639A	
EUPI850925-375B	EUP	8.500	9.250	0.375	0.413	RMD639	
DIUI850925-500	DIU	8.500	9.250	0.500	0.562	RF5306	
EUPI850925-625B	EUP	8.500	9.250	0.625	0.687	RMD638	
EUPI850950-500A	EUP	8.500	9.500	0.500	0.550	RMD761A	
EUPI850950-500B	EUP	8.500	9.500	0.500	0.550	RMD761	
EUPI850950-750B	EUP	8.500	9.500	0.750	0.825	RMD762	
EUPI850950-1000B	EUP	8.500	9.500	1.000	1.100	R09121	L412
EUPI850975-568B	EUP	8.500	9.750	0.568	0.625	R00124	MU57
EUPI850975-625A	EUP	8.500	9.750	0.625	0.687	RMD1406A	
EUPI850975-625B	EUP	8.500	9.750	0.625	0.687	RMD1406	
EUPI850975-914B	EUP	8.500	9.750	0.914	1.005	R00055	L57

PART N°	PROFILE	HOUSING DIMENSIONS				REFERENCE N°	ALTERNATIVE REFERENCE N°
		Ød	ØD	SH	L1		
EUPI850975-1000B	EUP	8.500	9.750	1.000	1.100	RMD1407	
GURI8501000-750	GUR	8.500	10.000	0.750	0.813		
EUPI875925-250A	EUP	8.750	9.250	0.250	0.275	RMD1204	
EUPI875925-375B	EUP	8.750	9.250	0.375	0.413	RMD1205	
EUPI875950-375A	EUP	8.750	9.500	0.375	0.413	RMD1326A	
EUPI875950-375B	EUP	8.750	9.500	0.375	0.413	RMD1326	
DIUI875950-375	DIU	8.750	9.500	0.375	0.437	RF5307	
EUPI875950-625A	EUP	8.750	9.500	0.625	0.687	RMD1327A	
EUPI875950-625B	EUP	8.750	9.500	0.625	0.687	RMD1327	
EUPI875975-500A	EUP	8.750	9.750	0.500	0.550	RMD763A	
EUPI875975-500B	EUP	8.750	9.750	0.500	0.550	RMD763	
EUPI875975-750B	EUP	8.750	9.750	0.750	0.825	RMD1371	
EUPI8751000-568B	EUP	8.750	10.000	0.568	0.625	R00125	MU58
EUPI8751000-625A	EUP	8.750	10.000	0.625	0.687	RMD1408A	
EUPI8751000-625B	EUP	8.750	10.000	0.625	0.687	RMD1408	
EUPI8751000-914B	EUP	8.750	10.000	0.914	1.005		
TRRI900947-366	TRR	9.000	9.475	0.366	0.366		
EUPI900950-250A	EUP	9.000	9.500	0.250	0.275	RMD360A	
EUPI900950-250B	EUP	9.000	9.500	0.250	0.275	RMD360	
EUPI900950-562A	EUP	9.000	9.500	0.562	0.619	RMD1206A	
EUPI900950-562B	EUP	9.000	9.500	0.562	0.619	RMD1206	
EUPI900975-375B	EUP	9.000	9.750	0.375	0.413	RMD1329	
EUPI900975-375A	EUP	9.000	9.750	0.375	0.413	RMD1328	
DIUI900975-500	DIU	9.000	9.750	0.500	0.562	RF5308	
EUPI900975-625B	EUP	9.000	9.750	0.625	0.687	RMD641	
HBTI900983-305	HBT	9.000	9.830	0.305	0.320		
EUPI9001000-500A	EUP	9.000	10.000	0.500	0.550	RMD764A	
EUPI9001000-500B	EUP	9.000	10.000	0.500	0.550	RMD764	
SURI9001000-500	SUR	9.000	10.000	0.500	0.562	R07893	S918
EUPI9001000-750B	EUP	9.000	10.000	0.750	0.825	RMD830	
EUPI9001025-568B	EUP	9.000	10.250	0.568	0.625	R00126	MU59
EUPI9001025-625A	EUP	9.000	10.250	0.625	0.687	RMD1409A	
EUPI9001025-625B	EUP	9.000	10.250	0.625	0.687	RMD1409	
EUPI9001025-914B	EUP	9.000	10.250	0.914	1.005	R00057	L59
EUPI9001050-750A	EUP	9.000	10.500	0.750	0.825	RMD904A	
EUPI9001050-750B	EUP	9.000	10.500	0.750	0.825	RMD904	
GURI9001050-875	GUR	9.000	10.500	0.875	0.938		
EUPI925975-250A	EUP	9.250	9.750	0.250	0.275	RMD1207A	
EUPI925975-250B	EUP	9.250	9.750	0.250	0.275	RMD1207	
EUPI925987-625B	EUP	9.250	9.875	0.625	0.687	RMD1265	
SURI9251000-375	SUR	9.250	10.000	0.375	0.406		
EUPI9251000-375A	EUP	9.250	10.000	0.375	0.413	RMD643A	
EUPI9251000-375B	EUP	9.250	10.000	0.375	0.413	RMD643	
EUPI9251000-625A	EUP	9.250	10.000	0.625	0.650	R08857A	
EUPI9251000-625B	EUP	9.250	10.000	0.625	0.650	R08857	L454



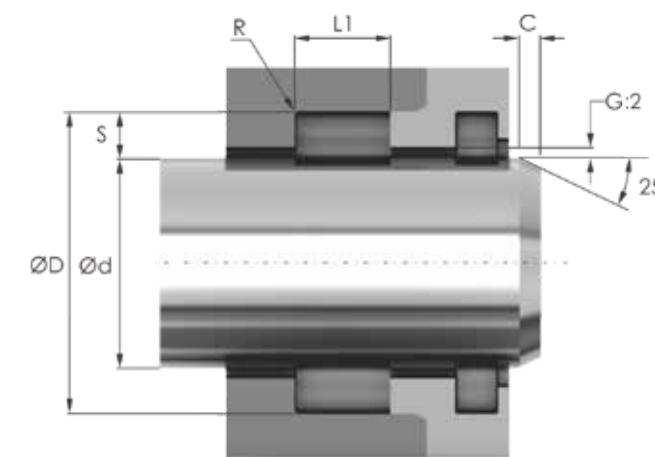
PART N°	PROFILE	HOUSING DIMENSIONS				REFERENCE N°	ALTERNATIVE REFERENCE N°
		Ød	ØD	SH	L1		
EUPI9251025-750B	EUP	9.250	10.250	0.750	0.825	RMD1372	
EUPI9251050-625A	EUP	9.250	10.500	0.625	0.687	RMD1410A	
EUPI9251050-625B	EUP	9.250	10.500	0.625	0.687	RMD1410	
EUPI9371000-625B	EUP	9.375	10.000	0.625	0.687	RMD1266	
EUPI9501000-250A	EUP	9.500	10.000	0.250	0.275	RMD1208A	
EUPI9501000-250B	EUP	9.500	10.000	0.250	0.275	RMD1208	
EUPI9501000-562B	EUP	9.500	10.000	0.562	0.619	RMD362	
EUPI9501025-375A	EUP	9.500	10.250	0.375	0.413	RMD650A	
EUPI9501025-375B	EUP	9.500	10.250	0.375	0.413	RMD650	
EUPI9501025-625B	EUP	9.500	10.250	0.625	0.687	RMD1330	
EUPI9501050-500B	EUP	9.500	10.500	0.500	0.550	RMD1435	
EUPI9501050-750A	EUP	9.500	10.500	0.750	0.825		
EUPI9501050-750B	EUP	9.500	10.500	0.750	0.825	RMD1436	
EUPI9501075-568B	EUP	9.500	10.750	0.568	0.625	R00128	MU61
EUPI9501075-625A	EUP	9.500	10.750	0.625	0.687	RMD1411A	
EUPI9501075-625B	EUP	9.500	10.750	0.625	0.687	RMD1411	
EUPI9501075-914B	EUP	9.500	10.750	0.914	1.005	R00059	L61
GURI9501100-875	GUR	9.500	11.000	0.875	0.938		
EUPI9751025-250A	EUP	9.750	10.250	0.250	0.275	RMD361A	
EUPI9751025-250B	EUP	9.750	10.250	0.250	0.275	RMD361	
EUPI9751025-562B	EUP	9.750	10.250	0.562	0.619	RMD1209	
EUPI9751050-375B	EUP	9.750	10.500	0.375	0.400		
EUPI9751055-625B	EUP	9.750	10.500	0.625	0.687	RMD653	
EUPI9751075-500A	EUP	9.750	10.750	0.500	0.550	RMD1373A	
EUPI9751075-500B	EUP	9.750	10.750	0.500	0.550	RMD1373	
EUPI9751100-568B	EUP	9.750	11.000	0.568	0.625	R00129	MU62
EUPI9751100-914B	EUP	9.750	11.000	0.914	1.005	R00060	L62
TRRI10001047-366	TRR	10.000	10.475	0.366	0.366		
EUPI10001050-25A	EUP	10.000	10.500	0.250	0.275	RMD363	
EUPI10001050-25B	EUP	10.000	10.500	0.250	0.275	RMD1210	
R97110001050-362	R97	10.000	10.500	0.362	0.400		
EUPI10001050-56B	EUP	10.000	10.500	0.562	0.619	RMD1211	
EUPI10001075-37A	EUP	10.000	10.750	0.375	0.413	RMD654A	
EUPI10001075-37B	EUP	10.000	10.750	0.375	0.413	RMD654	
EUPI10001075-62B	EUP	10.000	10.750	0.625	0.687	RMD657	
EUPI10001100-50A	EUP	10.000	11.000	0.500	0.550	RMD1374	
EUPI10001100-75B	EUP	10.000	11.000	0.750	0.825	RMD701	
EUPI10001125-10B	EUP	10.000	11.250	1.000	1.100	RMD869	
GURI10001150-875	GUR	10.000	11.500	0.875	0.938		
EUPI10001150-10B	EUP	10.000	11.500	1.000	1.030	R09293	L307
SURI10001200-500	SUR	10.000	12.000	0.500	0.550	RF5137	SU90
EUPI10251100-3A	EUP	10.250	11.000	0.375	0.413	RMD655A	
EUPI10251100-3B	EUP	10.250	11.000	0.375	0.413	RMD655	
EUPI10501100-2A	EUP	10.500	11.000	0.250	0.275	RMD367A	
EUPI10501100-2B	EUP	10.500	11.000	0.250	0.275	RMD367	

PART N°	PROFILE	HOUSING DIMENSIONS				REFERENCE N°	ALTERNATIVE REFERENCE N°
		Ød	ØD	SH	L1		
EUPI10501150-5A	EUP	10.500	11.500	0.500	0.550	RMD772A	
EUPI10501150-5B	EUP	10.500	11.500	0.500	0.550	RMD772	
EUPI10501150-10B	EUP	10.500	11.500	1.000	1.025		
GURI10501200-875	GUR	10.500	12.000	0.875	0.938		
EUPI10621162-15B	EUP	10.625	11.625	1.500	1.625	R09294	L322
EUPI10751150-62B	EUP	10.750	11.500	0.625	0.687	RMD1331	
EUPI10751175-50A	EUP	10.750	11.750	0.500	0.550	RMD1375A	
EUPI10751175-50B	EUP	10.750	11.750	0.500	0.550	RMD1375	
EUPI10751200-56B	EUP	10.750	12.000	0.568	0.625	R00133	MU66
EUPI10751200-62A	EUP	10.750	12.000	0.625	0.687	RMD1412A	
EUPI10751200-62B	EUP	10.750	12.000	0.625	0.687	RMD1412	
EUPI10751200-91B	EUP	10.750	12.000	0.914	1.005	R00064	L66
EUPI11001150-25A	EUP	11.000	11.500	0.250	0.275	RMD1212A	
EUPI11001150-25B	EUP	11.000	11.500	0.250	0.275	RMD1212	
GUPI11001150-500	GUP	11.000	11.500	0.500	0.550		
EUPI11001175-62B	EUP	11.000	11.750	0.625	0.687	RMD656	
EUPI11001200-50A	EUP	11.000	12.000	0.500	0.550	RMD775A	
EUPI11001200-50B	EUP	11.000	12.000	0.500	0.550	RMD775	
EUPI11001200-75B	EUP	11.000	12.000	0.750	0.825	RMD777	
GURI11001250-875	GUR	11.000	12.500	0.875	0.938		
EUPI11251200-37A	EUP	11.250	12.000	0.375	0.413	RMD663A	
EUPI11251200-37B	EUP	11.250	12.000	0.375	0.413	RMD663	
EUPI11251200-62A	EUP	11.250	12.000	0.625	0.687	RMD1332A	
EUPI11251200-62B	EUP	11.250	12.000	0.625	0.687	RMD1332	
EUPI11251250-56B	EUP	11.250	12.500	0.568	0.625	R00135	MU68
EUPI11251250-91B	EUP	11.250	12.500	0.914	1.005	R00066	L68
EUPI11251250-10B	EUP	11.250	12.500	1.000	1.100	RMD875	
EUPI11501200-25A	EUP	11.500	12.000	0.250	0.275	RMD368A	
EUPI11501200-25B	EUP	11.500	12.000	0.250	0.275	RMD368	
EUPI11501225-62B	EUP	11.500	12.250	0.625	0.687	RMD1333	
EUPI11501250-75M	EUP	11.500	12.500	0.750	0.775	R09295	MU566
EUPI11501250-75A	EUP	11.500	12.500	0.750	0.825	RMD779A	
EUPI11501250-75B	EUP	11.500	12.500	0.750	0.825	RMD779	
EUPI11501275-56B	EUP	11.500	12.750	0.568	0.625	R00136	MU69
EUPI11501275-91B	EUP	11.500	12.750	0.914	1.005	R00067	L69
EUPI11501275-10B	EUP	11.500	12.750	1.000	1.100	RMD1413	
GURI11501300-875	GUR	11.500	13.000	0.875	0.938		
EUPI11501300-93B	EUP	11.500	13.000	0.937	0.962	R09296	MU568
EUPI11751250-37A	EUP	11.750	12.500	0.375	0.413	RMD1334A	
EUPI11751250-37B	EUP	11.750	12.500	0.375	0.413	RMD1334	
EUPI11751275-50A	EUP	11.750	12.750	0.500	0.550	RMD1376A	
EUPI11751275-50B	EUP	11.750	12.750	0.500	0.550	RMD1376	
EUPI11751300-56B	EUP	11.750	13.000	0.568	0.625	R00137	MU70
EUPI11751300-91B	EUP	11.750	13.000	0.914	1.005	R00068	L70
EUPI12001250-25A	EUP	12.000	12.500	0.250	0.275	RMD1213A	



PART N°	PROFILE	HOUSING DIMENSIONS				REFERENCE N°	ALTERNATIVE REFERENCE N°
		Ød	ØD	SH	L1		
EUPI12001250-25B	EUP	12.000	12.500	0.250	0.275	RMD1213	
EUPI12001275-37A	EUP	12.000	12.750	0.375	0.413	RMD1335A	
EUPI12001275-37B	EUP	12.000	12.750	0.375	0.413	RMD1335	
EUPI12001275-50B	EUP	12.000	12.750	0.500	0.550		
EUPI12001275-62B	EUP	12.000	12.750	0.625	0.687	RMD1336	
EUPI12001300-50A	EUP	12.000	13.000	0.500	0.550	RMD781A	
EUPI12001300-50B	EUP	12.000	13.000	0.500	0.550	RMD781	
EUPI12001300-75B	EUP	12.000	13.000	0.750	0.775	R09297	L346
EUPI12001325-62A	EUP	12.000	13.250	0.625	0.687	RMD1414A	
EUPI12001325-62B	EUP	12.000	13.250	0.625	0.687	RMD1414	
GURI12001350-875	GUR	12.000	13.500	0.875	0.938		
EUPI12001350-10B	EUP	12.000	13.500	1.000	1.030	R09298	L315
EUPI12251300-37A	EUP	12.250	13.000	0.375	0.413	RMD1337A	
EUPI12251300-37B	EUP	12.250	13.000	0.375	0.413	RMD1337	
EUPI12251350-10B	EUP	12.250	13.500	1.000	1.100	RMD1415	
EUPI12501350-75B	EUP	12.500	13.500	0.750	0.775		
EUPI12501400-75A	EUP	12.500	14.000	0.750	0.755	R09597A	
EUPI12501400-75B	EUP	12.500	14.000	0.750	0.755	R09597	MU556
GURI12501400-875	GUR	12.500	14.000	0.875	0.938		
EUPI12501400-10B	EUP	12.500	14.000	1.000	1.030	R09299	L390
EUPI12751400-62A	EUP	12.750	14.000	0.625	0.650	R09599A	
EUPI12751400-62B	EUP	12.750	14.000	0.625	0.650	R09599	MU559
EUPI12751400-10B	EUP	12.750	14.000	1.000	1.030	R09598	L395
EUPI13001375-37A	EUP	13.000	13.750	0.375	0.413	RMD672A	
EUPI13001375-37B	EUP	13.000	13.750	0.375	0.413	RMD672	
EUPI13001400-50A	EUP	13.000	14.000	0.500	0.550	RMD800A	
EUPI13001400-50B	EUP	13.000	14.000	0.500	0.550	RMD800	
SURI13001400-500	SUR	13.000	14.000	0.500	0.550	RF5143	
EUPI13001400-75B	EUP	13.000	14.000	0.750	0.825	RMD1377	
GURI13001450-875	GUR	13.000	14.500	0.875	0.938		
SURI13181400-406	SUR	13.187	14.000	0.406	0.438	RF5145	
EUPI13251400-37A	EUP	13.250	14.000	0.375	0.413	RMD1338A	
EUPI13251400-37B	EUP	13.250	14.000	0.375	0.413	RMD1338	
EUPI13251425-50A	EUP	13.250	14.250	0.500	0.525	R09653A	
EUPI13251425-50B	EUP	13.250	14.250	0.500	0.525	R09653	MU541
GURI13251500-875	GUR	13.250	15.000	0.875	0.938		
EUPI13501400-25B	EUP	13.500	14.000	0.250	0.275		
EUPI13501450-75B	EUP	13.500	14.500	0.750	0.825	RMD906	
EUPI13501500-70B	EUP	13.500	15.000	0.705	0.775	R11222	MU580
EUPI13501500-75A	EUP	13.500	15.000	0.750	0.825	RMD907A	
EUPI13501500-75B	EUP	13.500	15.000	0.750	0.825	RMD907	
GURI13501525-875	GUR	13.500	15.250	0.875	0.938		
EUPI14001475-37A	EUP	14.000	14.750	0.375	0.413	RMD1339A	
EUPI14001475-37B	EUP	14.000	14.750	0.375	0.413	RMD1339	
EUPI14001525-10A	EUP	14.000	15.250	1.000	1.100	RMD1416A	

PART N°	PROFILE	HOUSING DIMENSIONS				REFERENCE N°	ALTERNATIVE REFERENCE N°
		Ød	ØD	SH	L1		
EUPI14001525-10B	EUP	14.000	15.250	1.000	1.100	RMD1416	
EUPI14001550-75A	EUP	14.000	15.500	0.750	0.775	R09655A	
EUPI14001550-75B	EUP	14.000	15.500	0.750	0.775	R09655	MU532
EUPI1400155-750B	EUP	14.000	15.500	0.750	1.030	R09654	L331
GURI14001550-875	GUR	14.000	15.500	0.875	0.938		
EUPI14501600-75B	EUP	14.500	16.000	0.755	1.125	R09656	MU565
GURI14501600-875	GUR	14.500	16.000	0.875	0.938		
EUPI14751550-62B	EUP	14.750	15.500	0.625	0.687	RMD1340	
EUPI15001575-37A	EUP	15.000	15.750	0.375	0.413	RMD1341A	
EUPI15001575-37B	EUP	15.000	15.750	0.375	0.413	RMD1341	
EUPI15001600-50A	EUP	15.000	16.000	0.500	0.550	RMD1378A	
EUPI15001600-50B	EUP	15.000	16.000	0.500	0.550	RMD1378	
GURI15001650-875	GUR	15.000	16.500	0.875	0.938		
EUPI15501625-37A	EUP	15.500	16.250	0.375	0.413	RMD1342A	
EUPI15501625-37B	EUP	15.500	16.250	0.375	0.413	RMD1342	
EUPI15501650-50B	EUP	15.500	16.500	0.500	0.550	RMD1437	
EUPI15501675-10B	EUP	15.500	16.750	1.000	1.100	RMD1417	
GURI15501700-875	GUR	15.500	17.000	0.875	0.938		
EUPI16001700-50A	EUP	16.000	17.000	0.500	0.550	RMD808A	
EUPI16001700-50B	EUP	16.000	17.000	0.500	0.550	RMD808	
EUPI16001700-75B	EUP	16.000	17.000	0.750	0.825	RMD1379	
EUPI16001750-75A	EUP	16.000	17.500	0.750	0.775	R09123A	
GURI16001750-875	GUR	16.000	17.500	0.875	0.938		
EUPI16001800-23B	EUP	16.000	18.000	2.375	2.400	R09068	L407
EUPI16251700-37A	EUP	16.250	17.000	0.375	0.413	RMD677A	
EUPI16251700-37B	EUP	16.250	17.000	0.375	0.413	RMD677	
EUPI16501750-50A	EUP	16.500	17.500	0.500	0.550	RMD1380A	
EUPI16501750-50B	EUP	16.500	17.500	0.500	0.550	RMD1380	
GURI16501800-875	GUR	16.500	18.000	0.875	0.938		
GURI17001850-875	GUR	17.000	18.500	0.875	0.938		
GURI17501900-875	GUR	17.500	19.000	0.875	0.938		
EUPI18001900-50A	EUP	18.000	19.000	0.500	0.550	RMD1381A	
EUPI18001900-50B	EUP	18.000	19.000	0.500	0.550	RMD1381	
GURI18001950-875	GUR	18.000	19.500	0.875	0.938		
EUPI18501950-50A	EUP	18.500	19.500	0.500	0.550	RMD1382A	
EUPI18501950-50B	EUP	18.500	19.500	0.500	0.550	RMD1382	
GURI18502000-750	GUR	18.500	20.000	0.750	0.813		
EUPI18752000-10B	EUP	18.750	20.000	1.000	1.100	RMD1418	
EUPI19002000-50A	EUP	19.000	20.000	0.500	0.550	RMD1383A	
EUPI19002000-50B	EUP	19.000	20.000	0.500	0.550	RMD1383	
EUPI20002100-50A	EUP	20.000	21.000	0.500	0.550	RMD1384A	
EUPI20002100-50B	EUP	20.000	21.000	0.500	0.550	RMD1384	
EUPI20252225-10B	EUP	20.250	22.250	1.000	1.025	R09658	MU543
EUPI22002400-23B	EUP	22.000	24.000	2.375	2.400	R09659	L400
EUPI26002800-23B	EUP	26.000	28.000	2.375	2.400	R09069	L408



TECHNICAL SPECIFICATIONS

SPECIFIED TOLERANCES		
ØD		Ød
Js11		h9

MAXIMUM OPERATING CONDITIONS		
Temp °C	Pressure	Speed
- 30° to + 100° C	400 bar (6000 psi)	0.5 m/sec (1.5 ft/sec)

SURFACE FINISH	
DYNAMIC SEALING SURFACE	0.1 to 0.4 µm Ra
STATIC SEALING SURFACE	0.8 to 1.6 µm Ra
STATIC HOUSING FACE	1.4 to 3.2 µm Ra

DESIGN

- Bottom Adaptor component to combine with a Vee Pack Assembly
- Rugged construction.
- High friction.
- Oil traps between lips reducing stick slip.
- Possible to adjust in operation.
- Multiple sealing lips.

MATERIAL

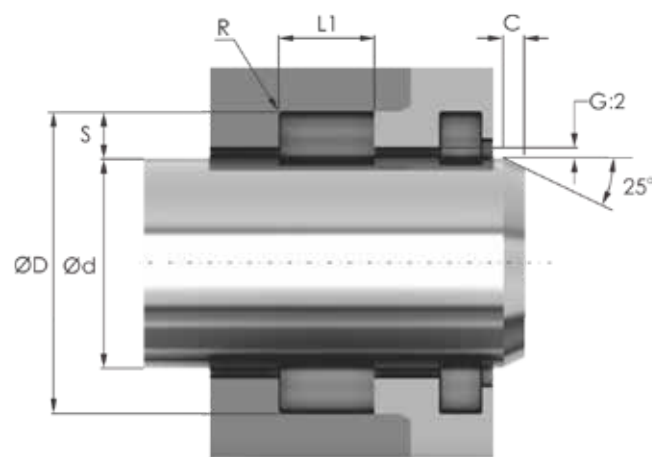
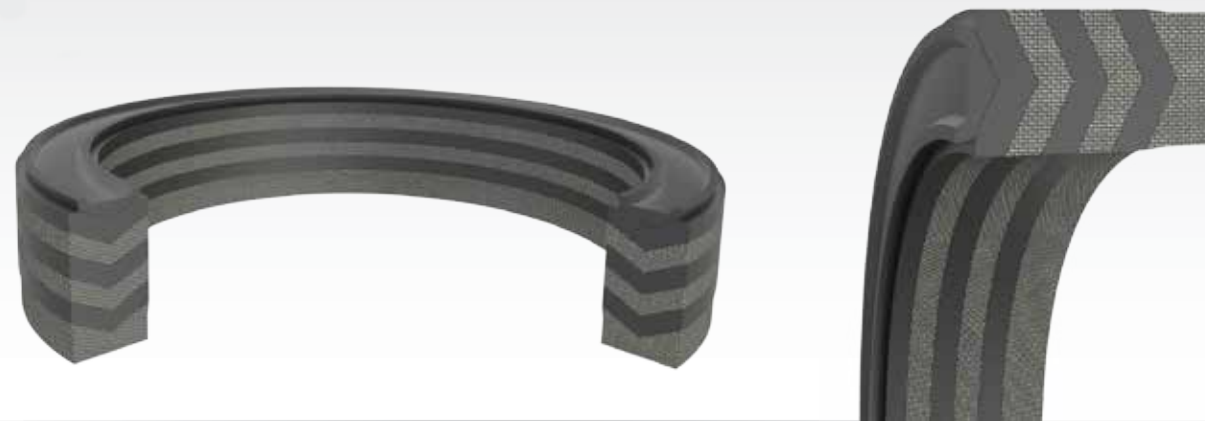
- NBR and NBR impregnated cotton fabric.

APPLICATION

- High pressure rod and piston sealing applications.
- Used in steel mill and hydraulic press applications.

FLUIDS

- Mineral based oils, fluids, fuels and water in oil emulsions.



TECHNICAL SPECIFICATIONS

SPECIFIED TOLERANCES		
ØD	Ød	L1
Js11	h9	+0.75 (+ 0.030) -0.00 (- 0.000)

SURFACE FINISH	
DYNAMIC SEALING SURFACE	0.1 to 0.4 µm Ra
STATIC SEALING SURFACE	0.8 to 1.6 µm Ra
STATIC HOUSING FACE	1.4 to 3.2 µm Ra

MAXIMUM EXTRUSION GAP v PRESSURE			
G mm	Bar	G inches	p.s.i
0.4	160	0.016	2400
0.3	250	0.012	3750
0.2	400	0.008	6000

RADII AND CHAMFER						
S mm	4.00	5.00	7.50	10.00	12.50	15.00
R mm	0.20	0.40	0.80	0.80	1.20	1.60
C mm	3.20	4.00	6.00	8.00	10.00	12.00
S inches	0.125	0.187	0.250	0.312	0.375	0.500
R inches	0.008	0.016	0.032	0.032	0.048	0.062
C inches	0.100	0.150	0.200	0.250	0.300	0.400

MAXIMUM OPERATING CONDITIONS		
Temp °C	Pressure	Speed
- 30° to +100° C	400 bar (6000 psi)	0.5 m/sec (1.5 ft/sec)

DESIGN

- Rugged construction.
- High friction.
- Oil traps between lips reducing stick slip.
- Possible to adjust in operation.
- Multiple sealing lips.

MATERIAL

- NBR and NBR impregnated cotton fabric.

APPLICATION

- High Pressure Rod and Piston sealing applications.
- Used in Steel Mill and Hydraulic press applications.

FLUIDS

- Mineral based oils, fluids, fuels and water in oil emulsions.

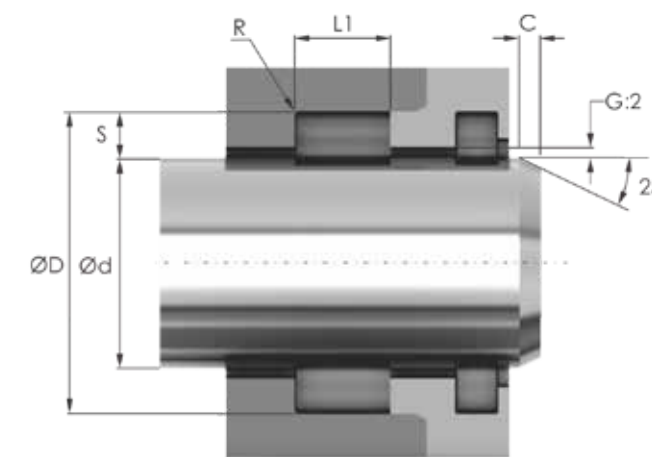
psi	NUMBER OF VEES – PRESSURE v CROSS SECTION							
	CROSS SECTION							
	0.187" (5.0 mm)	0.250"	0.312" (7.5 mm)	0.375" (10.0 mm)	0.437"	0.500" (12.5 mm)	0.750" (20.0 mm)	1.000" (25.0 mm)
1000 (70 bar)	3	3	3	3	3	3	4	4
3000 (200 bar)	4	4	4	4	4	4	5	5
5000 (350 bar)	5	5	5	5	5	5	6	6
5000+ (350 + bar)	6	6	6	6	6	6	7	7

TECHNICAL SPECIFICATIONS

SPECIFIED TOLERANCES		
ØD	Ød	L1
Js11	h9	

MAXIMUM OPERATING CONDITIONS		
Temp °C	Pressure	Speed
- 30° to + 100° C	400 bar (6000 psi)	0.5 m/sec (1.5 ft/sec)

SURFACE FINISH	
DYNAMIC SEALING SURFACE	0.1 to 0.4 µm Ra
STATIC SEALING SURFACE	0.8 to 1.6 µm Ra
STATIC HOUSING FACE	1.4 to 3.2 µm Ra



DESIGN

- Top Adaptor Component to combine into a Vee Pack assembly
- Rugged construction.
- High friction.
- Oil traps between lips reducing stick slip.
- Possible to adjust in operation.
- Multiple sealing lips.

MATERIAL

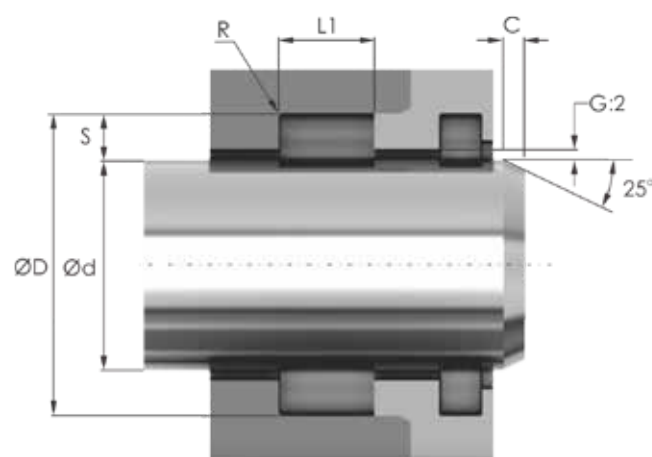
- NBR and NBR impregnated cotton fabric.

APPLICATION

- High pressure rod and piston sealing applications.
- Used in steel mill and hydraulic press applications.

FLUIDS

- Mineral based oils, fluids, fuels and water in oil emulsions.



TECHNICAL SPECIFICATIONS

SPECIFIED TOLERANCES		
ØD		Ød
Js11		h9

MAXIMUM OPERATING CONDITIONS		
Temp °C	Pressure	Speed
- 30° to + 100° C	400 bar (6000 psi)	0.5 m/sec (1.5 ft/sec)

SURFACE FINISH	
DYNAMIC SEALING SURFACE	0.1 to 0.4 µm Ra
STATIC SEALING SURFACE	0.8 to 1.6 µm Ra
STATIC HOUSING FACE	1.4 to 3.2 µm Ra

DESIGN

- Vee Ring to be combined into a Vee Pack Assembly.
- Rugged construction.
- High friction.
- Oil traps between lips reducing stick slip.
- Possible to adjust in operation.
- Multiple sealing lips.

MATERIAL

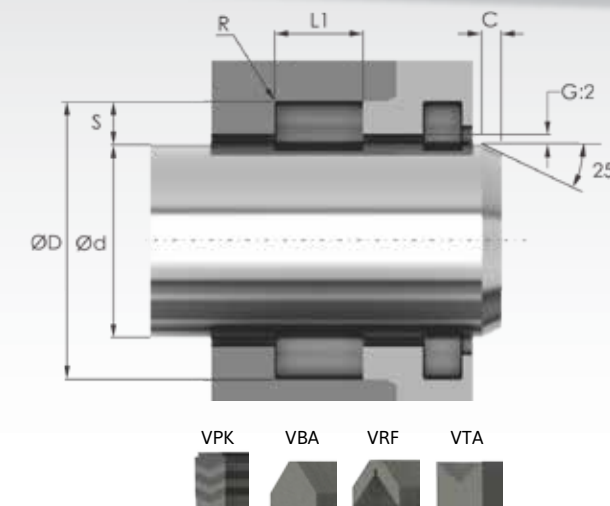
- NBR and NBR impregnated cotton fabric.

APPLICATION

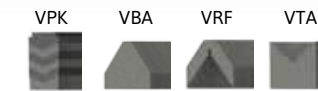
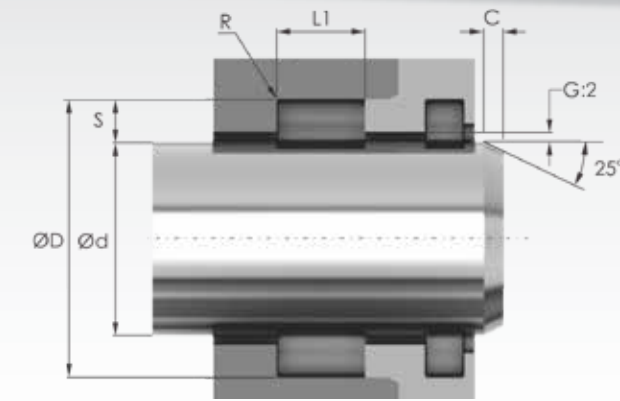
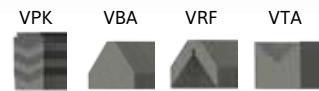
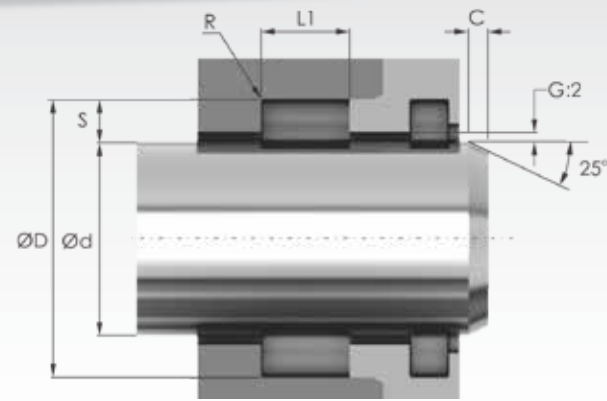
- High pressure rod and piston sealing applications.
- Used in steel mill and hydraulic press applications.

FLUIDS

- Mineral based oils, fluids, fuels and water in oil emulsions.

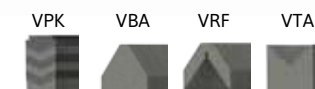
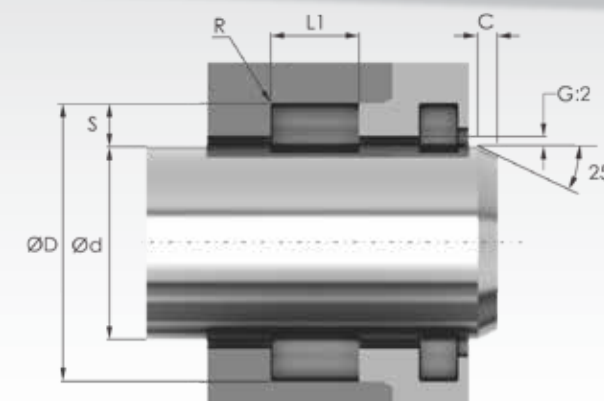
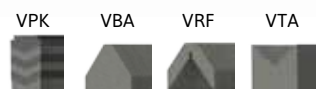
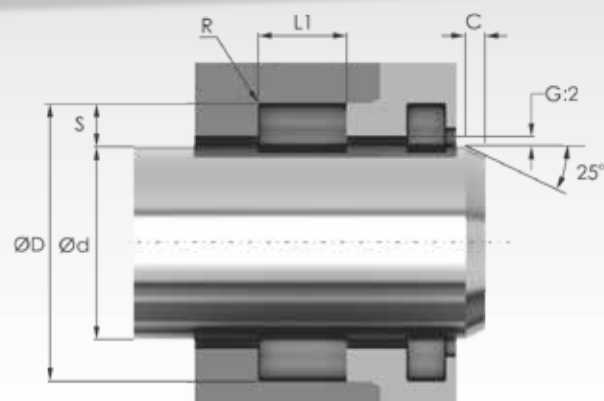


PART N°	PROFILE	HOUSING DIMENSIONS			REFERENCE N°
		Ød	ØD	L1	
VPKM016029-143	VPK	16.00	29.00	14.35	RK2508
VBAM020030-025	VBA	20.00	30.00	2.50	R01303
VRFM020030-030	VRF	20.00	30.00	3.00	R01359
VTAM020030-050	VTA	20.00	30.00	5.00	R01331
VPKM020030-185	VPK	20.00	30.00	18.50	
VPKM020030-215	VPK	20.00	30.00	21.50	RK2511
VRFM020032-055	VRF	20.00	32.00	5.50	R00410
VPKM020032-225	VPK	20.00	32.00	22.50	RK401A
VPKM020033-170	VPK	20.00	33.00	17.00	RK2517
VPKM022032-185	VPK	22.00	32.00	18.50	RK2518
VBAM025035-025	VBA	25.00	35.00	2.50	R01304
VRFM025035-030	VRF	25.00	35.00	3.00	R01360
VTAM025035-050	VTA	25.00	35.00	5.00	R01332
VPKM025035-173	VPK	25.00	35.00	17.30	RK2521
VPKM025035-225	VPK	25.00	35.00	22.50	RK2522
VPKM025037-225	VPK	25.00	37.00	22.50	RK402A
VPKM025040-225	VPK	25.00	40.00	22.50	RK403A
VPKM025042-254	VPK	25.00	42.00	25.40	RK404A
VPKM028040-225	VPK	28.00	40.00	22.50	RK405A
VPKM028043-225	VPK	28.00	43.00	22.50	RK406A
VPKM028044-235	VPK	28.00	44.00	23.50	RK2528
VBAM030040-025	VBA	30.00	40.00	2.50	R01305
VRFM030040-028	VRF	30.00	40.00	2.80	R01361
VTAM030040-050	VTA	30.00	40.00	5.00	R01333
VPKM030040-218	VPK	30.00	40.00	21.80	RK407A
VPKM030042-225	VPK	30.00	42.00	22.50	RK408A
VPKM030045-165	VPK	30.00	45.00	16.50	RK2530
VPKM030045-225	VPK	30.00	45.00	22.50	RK409A
VPKM030050-275	VPK	30.00	50.00	27.50	RK2531
VPKM032044-225	VPK	32.00	44.00	22.50	RK2532
VPKM032047-225	VPK	32.00	47.00	22.50	RK410A
VBAM035045-025	VBA	35.00	45.00	2.50	R01306
VRFM035045-030	VRF	35.00	45.00	3.00	R01362
VTAM035045-050	VTA	35.00	45.00	5.00	R01334
VPKM035045-218	VPK	35.00	45.00	21.80	RK2534
VPKM035047-225	VPK	35.00	47.00	22.50	RK411A
VBAM035050-025	VBA	35.00	50.00	2.50	R01307
VRFM035050-030	VRF	35.00	50.00	3.00	R01363
VTAM035050-075	VTA	35.00	50.00	7.50	R01335
VPKM035050-118	VPK	35.00	50.00	11.80	RK2538
VPKM035050-225	VPK	35.00	50.00	22.50	RK412A
VPKM035050-293	VPK	35.00	50.00	29.30	RK2536
VPKM036048-225	VPK	36.00	48.00	22.50	R15191
VPKM036051-225	VPK	36.00	51.00	22.50	RK2541
VPKM036052-176	VPK	36.00	52.00	17.60	RK413A
VBAM040050-025	VBA	40.00	50.00	2.50	R01308



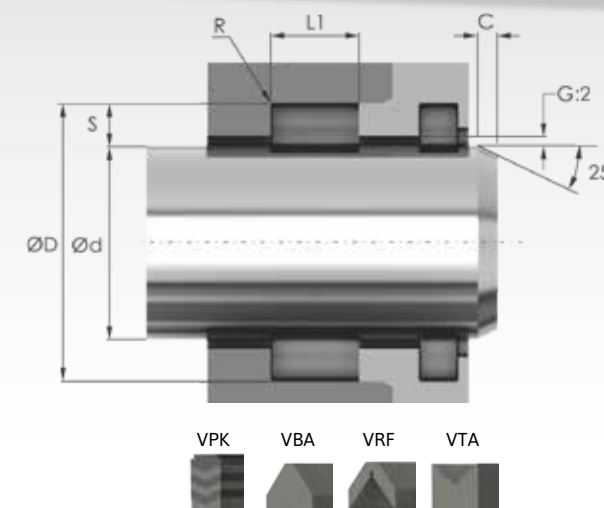
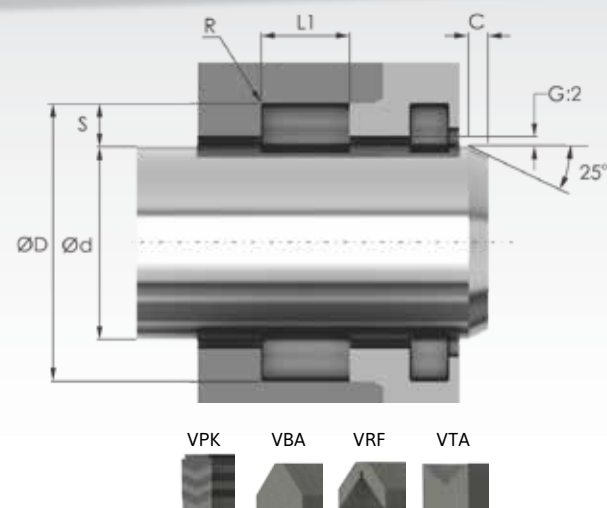
PART N°	PROFILE	HOUSING DIMENSIONS			REFERENCE N°
		Ød	ØD	L1	
VRFM040050-030	VRF	40.00	50.00	3.00	R01364
VTAM040050-050	VTA	40.00	50.00	5.00	R01336
VPKM040050-173	VPK	40.00	50.00	17.30	RK2543
VBAM040052-025	VBA	40.00	52.00	2.50	R01309
VRFM040052-030	VRF	40.00	52.00	3.00	R01365
VTAM040052-060	VTA	40.00	52.00	6.00	R01337
VPKM040052-225	VPK	40.00	52.00	22.50	R58951
VBAM040055-025	VBA	40.00	55.00	2.50	R01310
VRFM040055-030	VRF	40.00	55.00	3.00	R01366
VTAM040055-075	VTA	40.00	55.00	7.50	R01338
VPKM040055-225	VPK	40.00	55.00	22.50	RK414A
VPKM040055-262	VPK	40.00	55.00	26.20	RK2544
VPKM040056-176	VPK	40.00	56.00	17.60	RK2547
VPKM040060-300	VPK	40.00	60.00	30.00	R51827
VPKM040065-357	VPK	40.00	65.00	35.70	RK2548
VRFM041050-030	VRF	41.00	50.00	3.00	R01300
VBAM041050-025	VBA	41.00	50.00	2.50	R01311
VTAM041050-045	VTA	41.00	50.00	4.50	R01339
VPKM042054-225	VPK	42.00	54.00	22.50	RK415A
VPKM045055-175	VPK	45.00	55.00	17.50	RK2551
VPKM045060-225	VPK	45.00	60.00	22.50	RK416A
VPKM045060-240	VPK	45.00	60.00	24.00	R86849
VPKM045061-290	VPK	45.00	61.00	29.00	RK2554
VPKM045065-275	VPK	45.00	65.00	27.50	RK417A
VPKM048060-250	VPK	48.00	60.00	25.00	RK2556
VPKM048062-222	VPK	48.00	62.00	22.20	RK2557
VPKM048063-133	VPK	48.00	63.00	13.30	R51198
VBAM050065-025	VBA	50.00	65.00	2.50	R01312
VRFM050065-045	VRF	50.00	65.00	4.50	R01368
VTAM050065-075	VTA	50.00	65.00	7.50	R01340
VPKM050065-165	VPK	50.00	65.00	16.50	RK2560
VPKM050065-225	VPK	50.00	65.00	22.50	RK418A
VPKM050065-246	VPK	50.00	65.00	24.60	RK2559
VBAM050070-025	VBA	50.00	70.00	2.50	R01313
VRFM050070-047	VRF	50.00	70.00	4.70	R01369
VTAM050070-100	VTA	50.00	70.00	10.00	R01341
VPKM050070-300	VPK	50.00	70.00	30.00	RK419A
VPKM055067-250	VPK	55.00	67.00	25.00	RK2565
VBAM055070-025	VBA	55.00	70.00	2.50	R01314
VRFM055070-045	VRF	55.00	70.00	4.50	R01370
VTAM055070-075	VTA	55.00	70.00	7.50	R01342
VPKM055070-225	VPK	55.00	70.00	22.50	RK2566
VPKM055070-265	VPK	55.00	70.00	26.50	RK420A
VBAM055075-025	VBA	55.00	75.00	2.50	R01315
VRFM055075-050	VRF	55.00	75.00	5.00	R01371
VTAM055075-100	VTA	55.00	75.00	10.00	R01343

PART N°	PROFILE	HOUSING DIMENSIONS			REFERENCE N°
		Ød	ØD	L1	
VPKM055075-300	VPK	55.00	75.00	30.00	RK421A
VPKM055075-350	VPK	55.00	75.00	35.00	RK2567
VPKM055075-380	VPK	55.00	75.00	38.00	RK2568
VPKM056071-185	VPK	56.00	71.00	18.50	RK2570
VPKM056071-225	VPK	56.00	71.00	22.50	RK2571
VPKM056076-220	VPK	56.00	76.00	22.00	RK422A
VPKM056076-370	VPK	56.00	76.00	37.00	RK423A
VPKM056076-390	VPK	56.00	76.00	39.00	RK2573
VBAM060075-025	VBA	60.00	75.00	2.50	R01316
VRFM060075-030	VRF	60.00	75.00	3.00	R01372
VTAM060075-075	VTA	60.00	75.00	7.50	R01344
VPKM060075-225	VPK	60.00	75.00	22.50	RK424A
VPKM060075-246	VPK	60.00	75.00	24.60	RK2576
VBAM060080-025	VBA	60.00	80.00	2.50	R01317
VRFM060080-040	VRF	60.00	80.00	4.00	R01373
VTAM060080-100	VTA	60.00	80.00	10.00	R01345
VPKM060080-321	VPK	60.00	80.00	32.15	RK425A
VPKM060080-370	VPK	60.00	80.00	37.00	RK426A
VPKM063078-225	VPK	63.00	78.00	22.50	RK2583
VPKM063083-220	VPK	63.00	83.00	22.00	RK2585
VPKM063083-290	VPK	63.00	83.00	29.00	RK2586
VPKM063083-370	VPK	63.00	83.00	37.00	RK427A
VPKM063085-320	VPK	63.00	85.00	32.00	RK2589
VPKM064080-258	VPK	64.00	80.00	25.80	RK2590
VPKM065077-210	VPK	65.00	77.00	21.00	RK2591
VPKM065080-225	VPK	65.00	80.00	22.50	RK428A
VPKM065085-320	VPK	65.00	85.00	32.00	RK2596
VPKM065085-400	VPK	65.00	85.00	40.00	RK429A
VPKM070085-225	VPK	70.00	85.00	22.50	RK430A
VPKM070085-280	VPK	70.00	85.00	28.00	RK2598
VBAM070090-025	VBA	70.00	90.00	2.50	R01318
VRFM070090-050	VRF	70.00	90.00	5.00	R01374
VTAM070090-000	VTA	70.00	90.00	10.00	R01346
VPKM070090-220	VPK	70.00	90.00	22.00	RK431A
VPKM070090-300	VPK	70.00	90.00	30.00	RK2600
VPKM070090-400	VPK	70.00	90.00	40.00	RK432A
VBAM075090-025	VBA	75.00	90.00	2.50	R01319
VRFM075090-045	VRF	75.00	90.00	4.50	R01375
VTAM075090-000	VTA	75.00	90.00	7.50	R01347
VPKM075090-225	VPK	75.00	90.00	22.50	RK2602
VPKM075095-300	VPK	75.00	95.00	30.00	RK433A
VPKM075095-400	VPK	75.00	95.00	40.00	RK2604
VPKM075100-375	VPK	75.00	100.00	37.50	RK2605
VPKM080095-225	VPK	80.00	95.00	22.50	RK434A
VBAM080100-050	VBA	80.00	100.00	5.00	R01320
VRFM080100-040	VRF	80.00	100.00	4.00	R01376



PART N°	PROFILE	HOUSING DIMENSIONS			REFERENCE N°
		Ød	ØD	L1	
VTAM080100-100	VTA	80.00	100.00	10.00	R01348
VPKM080100-215	VPK	80.00	100.00	21.50	RK2608
VPKM080100-400	VPK	80.00	100.00	40.00	RK435A
VPKM080105-274	VPK	80.00	105.00	27.40	RK2609
VBAM085100-025	VBA	85.00	100.00	2.50	R01321
VRFM085100-045	VRF	85.00	100.00	4.50	R01377
VTAM085100-075	VTA	85.00	100.00	7.50	R01349
VPKM085100-225	VPK	85.00	100.00	22.50	RK436A
VPKM085105-400	VPK	85.00	105.00	40.00	RK437A
VPKM090105-225	VPK	90.00	105.00	22.50	RK438A
VPKM090105-330	VPK	90.00	105.00	33.00	RK2614
VBAM090110-025	VBA	90.00	110.00	2.50	R01322
VRFM090110-040	VRF	90.00	110.00	4.00	R01378
VTAM090110-100	VTA	90.00	110.00	10.00	R01350
VPKM090110-225	VPK	90.00	110.00	22.50	
VPKM090110-400	VPK	90.00	110.00	40.00	RK439A
VPKM090115-274	VPK	90.00	115.00	27.40	RK2618
VPKM090120-160	VPK	90.00	120.00	16.00	RK2883
VBAM095115-025	VBA	95.00	115.00	2.50	R01323
VRFM095115-040	VRF	95.00	115.00	4.00	R01379
VTAM095115-100	VTA	95.00	115.00	10.00	R01351
VPKM095115-320	VPK	95.00	115.00	32.00	RK2619
VPKM100115-253	VPK	100.00	115.00	25.30	RK440A
VPKM100115-300	VPK	100.00	115.00	30.00	RK441A
VPKM100120-400	VPK	100.00	120.00	40.00	RK442A
VPKM100125-261	VPK	100.00	125.00	26.10	RK2623
VPKM100125-369	VPK	100.00	125.00	36.90	RK443A
VPKM105120-300	VPK	105.00	120.00	30.00	RK2627
VPKM105125-300	VPK	105.00	125.00	30.00	RK2628
VBAM105130-025	VBA	105.00	130.00	2.50	R01324
VRFM105130-060	VRF	105.00	130.00	6.00	R01380
VTAM105130-125	VTA	105.00	130.00	12.50	R01352
VPKM105130-400	VPK	105.00	130.00	40.00	RK2629
VBAM110125-025	VBA	110.00	125.00	2.50	R01325
VRFM110125-045	VRF	110.00	125.00	4.50	R01381
VTAM110125-075	VTA	110.00	125.00	7.50	R01353
VPKM110125-210	VPK	110.00	125.00	21.00	RK2630
VPKM110125-300	VPK	110.00	125.00	30.00	RK444A
VPKM110130-300	VPK	110.00	130.00	30.00	RK445A
VPKM110130-400	VPK	110.00	130.00	40.00	RK446A
VBAM110135-025	VBA	110.00	135.00	2.50	R01326
VRFM110135-060	VRF	110.00	135.00	6.00	R01382
VTAM110135-125	VTA	110.00	135.00	12.50	R01354
VPKM114130-258	VPK	114.00	130.00	25.80	RK2632
VRFM114128-038	VRF	114.65	128.00	3.80	R53601
VRFM115128-034	VRF	115.00	128.40	3.40	R46083

PART N°	PROFILE	HOUSING DIMENSIONS			REFERENCE N°
		Ød	ØD	L1	
VPKM115130-300	VPK	115.00	130.00	30.00	RK2633
VBAM115140-025	VBA	115.00	140.00	2.50	R01327
VRFM115140-060	VRF	115.00	140.00	6.00	R01383
VTAM115140-125	VTA	115.00	140.00	12.50	R01355
VPKM115140-371	VPK	115.00	140.00	37.12	RK447A
VPKM115140-460	VPK	115.00	140.00	46.00	RK2634
VPKM120135-320	VPK	120.00	135.00	32.00	RK2637
VPKM120140-300	VPK	120.00	140.00	30.00	RK448A
VPKM120140-400	VPK	120.00	140.00	40.00	RK2638
VPKM120145-460	VPK	120.00	145.00	46.00	RK2639
VBAM120150-025	VBA	120.00	150.00	2.50	R01328
VRFM120150-050	VRF	120.00	150.00	5.00	R01384
VTAM120150-150	VTA	120.00	150.00	15.00	R01356
VPKM120150-440	VPK	120.00	150.00	44.00	RK2640
VBAM125140-025	VBA	125.00	140.00	2.50	R01329
VRFM125140-045	VRF	125.00	140.00	4.50	R01385
VTAM125140-075	VTA	125.00	140.00	7.50	R01357
VPKM125140-340	VPK	125.00	140.00	34.00	RK2643
VPKM125145-300DR	VPK	125.00	145.00	30.00	
VPKM125150-274	VPK	125.00	150.00	27.40	RK449A
VPKM125150-460	VPK	125.00	150.00	46.00	RK450A
VPKM130150-298	VPK	130.00	150.00	29.76	RK451A
VPKM130150-400	VPK	130.00	150.00	40.00	RK2648
VPKM130155-460	VPK	130.00	155.00	46.00	RK2649
VPKM130160-293	VPK	130.00	160.00	29.30	R50467
VPKM130160-415	VPK	130.00	160.00	41.50	RK2650
VPKM135155-305	VPK	135.00	155.00	30.50	RK2651
VRFM137154-038	VRF	137.00	154.00	3.40	
VRFM190207-050	VRF	137.00	154.00	3.80	
VPKM140155-340	VPK	140.00	155.00	34.00	RK2653
VPKM140160-285	VPK	140.00	160.00	28.50	RK2655
VPKM140165-340	VPK	140.00	165.00	34.00	
VPKM140165-400	VPK	140.00	165.00	40.00	R86830
VPKM140165-460	VPK	140.00	165.00	46.00	RK452A
VPKM140170-460	VPK	140.00	170.00	46.00	RK2660
VPKM145170-380	VPK	145.00	170.00	38.00	RK2661
VPKM150170-400	VPK	150.00	170.00	40.00	RK2663
VPKM150180-400	VPK	150.00	180.00	40.00	RK453A
VPKM150180-600	VPK	150.00	180.00	60.00	RK2665
VRFM160177-050	VRF	160.00	177.00	5.00	
VPKM160180-400	VPK	160.00	180.00	40.00	RK2668
VBAM160190-025	VBA	160.00	190.00	2.50	R01330
VRFM160190-060	VRF	160.00	190.00	6.00	R01386
VTAM160190-150	VTA	160.00	190.00	15.00	R01358
VPKM160190-330	VPK	160.00	190.00	33.00	RK454A
VPKM160190-470	VPK	160.00	190.00	47.00	RK2670

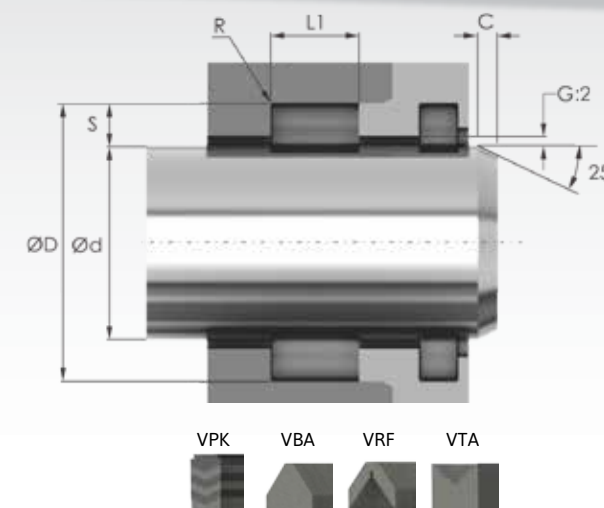
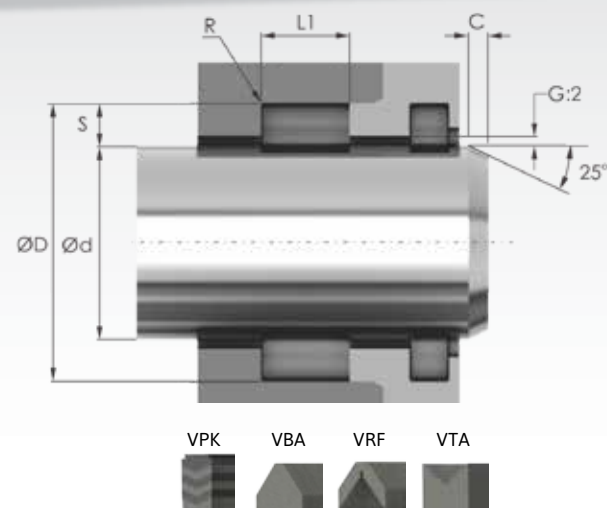


VEE PACK - METRIC

VEE PACK - IMPERIAL

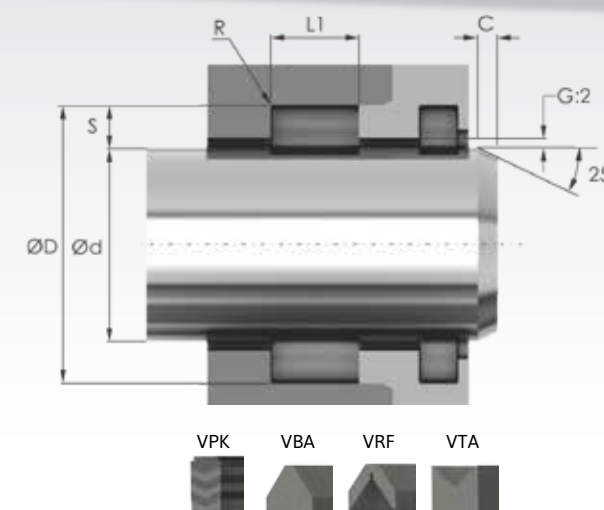
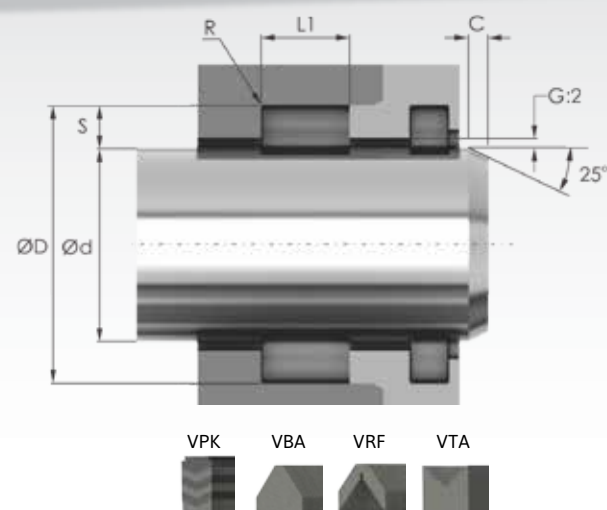
PART N°	PROFILE	HOUSING DIMENSIONS			REFERENCE N°
		Ød	ØD	L1	
VPKM160190-600	VPK	160.00	190.00	60.00	RK2672
VPKM170195-375	VPK	170.00	195.00	37.50	RK2674
VPKM170200-338	VPK	170.00	200.00	33.80	R86229
VPKM170200-450	VPK	170.00	200.00	45.00	RK2676
VPKM170200-600	VPK	170.00	200.00	60.00	RK2675
VPKM175200-420	VPK	175.00	200.00	42.00	RK2677
VPKM180200-400	VPK	180.00	200.00	40.00	RK2678
VPKM180210-330	VPK	180.00	210.00	33.00	RK2680
VPKM180210-600	VPK	180.00	210.00	60.00	RK2682
VPKM185210-240	VPK	185.00	210.00	24.00	RK2684
VPKM190220-600	VPK	190.00	220.00	60.00	RK455A
VPKM195225-470	VPK	195.00	225.00	47.00	RK2686
VPKM200220-400	VPK	200.00	220.00	40.00	RK2690
VPKM200230-330	VPK	200.00	230.00	33.00	RK2692
VPKM200230-600	VPK	200.00	230.00	60.00	RK2694
VPKM210240-420	VPK	210.00	240.00	42.00	RK2696
VPKM220250-325	VPK	220.00	250.00	32.50	R86831
VPKM220250-338	VPK	220.00	250.00	33.80	R53657
VPKM220250-520	VPK	220.00	250.00	52.00	RK456A
VPKM220250-625	VPK	220.00	250.00	62.50	RK2698
VPKM220250-660	VPK	220.00	250.00	66.00	RK2697
VPKM224254-330	VPK	224.00	254.00	33.00	RK2700
VPKM225255-450	VPK	225.00	255.00	45.00	RK2701
VPKM240270-450	VPK	240.00	270.00	45.00	RK2703
VPKM240270-640	VPK	240.00	270.00	64.00	RK2704
VBAM245275-070	VBA	245.00	275.00	7.00	R89086
VRFM245275-070	VRF	245.00	275.00	7.00	R89085
VTAM245275-070	VTA	245.00	275.00	7.00	R89091
VPKM250280-330	VPK	250.00	280.00	33.00	RK457A
VPKM250280-450	VPK	250.00	280.00	45.00	RK2708
VPKM270300-320	VPK	270.00	300.00	32.00	R86267
VPKM280315-385	VPK	280.00	315.00	38.45	RK458A
VPKM290320-338	VPK	290.00	320.00	33.80	RK2717
VPKM290320-508	VPK	290.00	320.00	50.80	RK2714
VBAM300340-025	VBA	300.00	340.00	2.50	R88707
VTAM300340-2000	VTA	300.00	340.00	20.00	R88708
VPKM315350-385	VPK	315.00	350.00	38.50	RK459A
VPKM320350-490	VPK	320.00	350.00	49.00	
VPKM350390-600	VPK	350.00	390.00	60.00	RK2723
VPKM360400-600	VPK	360.00	400.00	60.00	RK2724
VPKM369400-450	VPK	369.00	400.00	45.00	RK2725
VRFM400430-100	VRF	400.00	430.00	10.00	R55866
VTAM400430-150	VTA	400.00	430.00	15.00	R55870
VPKM440480-600	VPK	440.00	480.00	60.00	

PART N°	PROFILE	HOUSING DIMENSIONS			REFERENCE N°
		Ød	ØD	L1	
VRFI031081-150	VRF	0.312	0.812	0.150	R52519
VBAI037100-125	VBA	0.375	1.000	0.125	R00488
VRFI037100-156	VRF	0.375	1.000	0.156	R00487
VTAI037100-250	VTA	0.375	1.000	0.250	R00489
VBAI043081-063	VBA	0.437	0.812	0.063	R58876
VTAI043081-250	VTA	0.437	0.812	0.250	R58877
VBAI050087-063	VBA	0.500	0.875	0.063	R51324
VRFI050087-094	VRF	0.500	0.875	0.094	R51323
VTAI050087-250	VTA	0.500	0.875	0.250	R51322
VPKI050087-058	VPK	0.500	0.875	0.586	RZ8380
VRFI050100-125	VRF	0.500	1.000	0.125	R00500
VBAI050100-125	VBA	0.500	1.000	0.125	R59875
VTAI050100-250	VTA	0.500	1.000	0.250	R59876
VBAI062100-063	VBA	0.625	1.000	0.063	R56083
VRFI062100-093	VRF	0.625	1.000	0.093	R56081
VTAI062100-216	VTA	0.625	1.000	0.216	R56082
VPKI062100-056	VPK	0.625	1.000	0.561	RZ8381
VRFI062112-125	VRF	0.625	1.125	0.125	R01387
VBAI062112-125	VBA	0.625	1.125	0.125	R01411
VTAI062112-250	VTA	0.625	1.125	0.250	R01443
VBAI062125-125	VBA	0.625	1.250	0.125	R15436
VRFI062125-250	VRF	0.625	1.250	0.250	R00501
VTAI062125-250	VTA	0.625	1.250	0.250	R15435
VPKI062125-137	VPK	0.625	1.250	1.375	RZ8678
VBAI075112-063	VBA	0.750	1.125	0.063	R52779
VRFI075112-093	VRF	0.750	1.125	0.093	R52781
VTAI075112-250	VTA	0.750	1.125	0.250	R52780
VPKI075112-062	VPK	0.750	1.125	0.625	R86308
VRFI075125-093	VRF	0.750	1.250	0.093	R06174
VRFI075125-125	VRF	0.750	1.250	0.125	R00502
VBAI075125-125	VBA	0.750	1.250	0.125	R00850
VTAI075125-250	VTA	0.750	1.250	0.250	R00700
VBAI075125-250	VBA	0.750	1.250	0.250	R06205
VPKI075125-068	VPK	0.750	1.250	0.688	RZ6001
VBAI075137-125	VBA	0.750	1.375	0.125	R01412
VRFI075137-187	VRF	0.750	1.375	0.187	R55990
VTAI075137-250	VTA	0.750	1.375	0.250	R01444
VBAI075150-063	VBA	0.750	1.500	0.063	R15423
VRFI075150-187	VRF	0.750	1.500	0.187	R86331
VTAI075150-375	VTA	0.750	1.500	0.375	R15425
VRFI075200-281	VRF	0.750	2.000	0.281	R00481
VRFI080131-100	VRF	0.802	1.312	0.100	R00504
VRFI087125-093	VRF	0.875	1.250	0.093	R00503
VBAI087125-125	VBA	0.875	1.250	0.125	R00851
VTAI087125-250	VTA	0.875	1.250	0.250	R00701



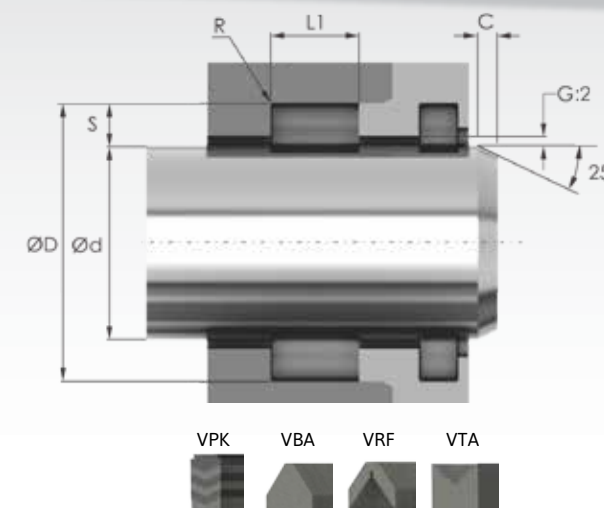
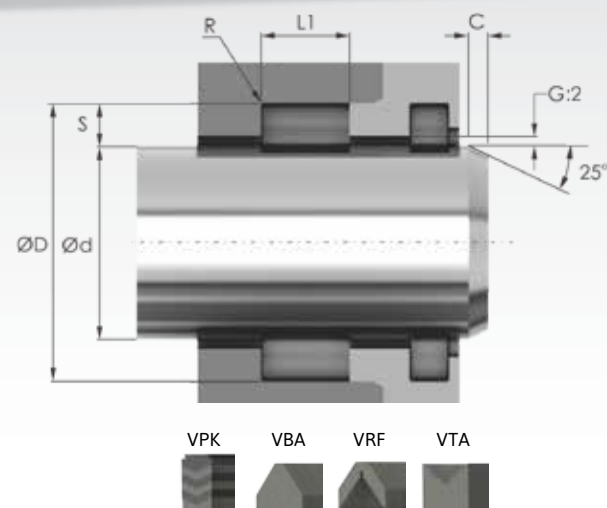
PART N°	PROFILE	HOUSING DIMENSIONS			REFERENCE N°
		Ød	ØD	L1	
VPKI087125-056	VPK	0.875	1.250	0.564	RZ6002
VRFI087137-125	VRF	0.875	1.375	0.125	R00505
VBAI087137-125	VBA	0.875	1.375	0.125	R00852
VTAI087137-250	VTA	0.875	1.375	0.250	R00702
VPKI087137-068	VPK	0.875	1.375	0.688	RZ6003
VBAI087150-125	VBA	0.875	1.500	0.125	R00491
VRFI087150-156	VRF	0.875	1.500	0.156	R00490
VTAI087150-250	VTA	0.875	1.500	0.250	R01445
VRFI087162-187	VRF	0.875	1.625	0.187	R00480
VBAI093143-063	VBA	0.938	1.438	0.063	R00853
VRFI093143-125	VRF	0.937	1.437	0.125	R00506
VTAI093143-250	VTA	0.938	1.438	0.250	R00703
VBAI100137-062	VBA	1.000	1.375	0.062	R15942
VRFI100137-093	VRF	1.000	1.375	0.093	R15468
VTAI100137-250	VTA	1.000	1.375	0.250	R01446
VBAI100150-063	VBA	1.000	1.500	0.063	R69013
VRFI100150-125	VRF	1.000	1.500	0.125	R00507
VBAI100150-125	VBA	1.000	1.500	0.125	R00854
VTAI100150-250	VTA	1.000	1.500	0.250	R00704
VPKI100150-068	VPK	1.000	1.500	0.688	RZ6005
VBAI100162-125	VBA	1.000	1.625	0.125	R00855
VRFI100162-156	VRF	1.000	1.625	0.156	R00508
VTAI100162-250	VTA	1.000	1.625	0.250	R00705
VPKI100162-084	VPK	1.000	1.625	0.844	RZ6006
VBAI100175-125	VBA	1.000	1.750	0.125	R06183
VRFI100175-187	VRF	1.000	1.750	0.187	R59936
VTAI100175-312	VTA	1.000	1.750	0.312	R06198
VRFI112162-125	VRF	1.125	1.625	0.125	R00509
VBAI112162-125	VBA	1.125	1.625	0.125	R00856
VTAI112162-250	VTA	1.125	1.625	0.250	R00706
VPKI112162-068	VPK	1.125	1.625	0.688	RZ6007
VBAI112175-125	VBA	1.125	1.750	0.125	R50340
VRFI112175-156	VRF	1.125	1.750	0.156	R00510
VTAI112175-250	VTA	1.125	1.750	0.250	R50341
VBAI118156-063	VBA	1.187	1.562	0.063	R01413
VRFI118156-093	VRF	1.187	1.562	0.093	R01388
VTAI118156-250	VTA	1.187	1.562	0.250	R01447
VRFI175118-156	VRF	1.750	1.187	0.156	R59438
VRFI18200-156	VRF	1.187	2.000	0.156	R00513
VRFI125175-125	VRF	1.250	1.750	0.125	R00511
VBAI125175-125	VBA	1.250	1.750	0.125	R00857
VTAI125175-250	VTA	1.250	1.750	0.250	R00707
VPKI125175-068	VPK	1.250	1.750	0.688	RZ6008
VBAI125187-125	VBA	1.250	1.875	0.125	R59625
VRFI125187-156	VRF	1.250	1.875	0.156	R00482

PART N°	PROFILE	HOUSING DIMENSIONS			REFERENCE N°
		Ød	ØD	L1	
VTAI125187-250	VTA	1.250	1.875	0.250	R01448
VBAI125200-125	VBA	1.250	2.000	0.125	R59382
VRFI125200-187	VRF	1.250	2.000	0.187	R59380
VTAI125200-312	VTA	1.250	2.000	0.312	R59381
VBAI137175-063	VBA	1.375	1.750	0.063	R01414
VRFI137175-093	VRF	1.375	1.750	0.093	R86813
VTAI137175-250	VTA	1.375	1.750	0.250	R01449
VRFI137187-125	VRF	1.375	1.875	0.125	R00512
VBAI137187-125	VBA	1.375	1.875	0.125	R00858
VTAI137187-250	VTA	1.375	1.875	0.250	R00708
VPKI137187-068	VPK	1.375	1.875	0.688	RZ6009
VBAI137200-125	VBA	1.375	2.000	0.125	R00859
VRFI137200-156	VRF	1.375	2.000	0.156	R00514
VTAI137200-250	VTA	1.375	2.000	0.250	R00709
VPKI137200-084	VPK	1.375	2.000	0.844	RZ6010
VBAI137202-063	VBA	1.375	2.020	0.063	R00861
VRFI137202-161	VRF	1.375	2.020	0.161	R00516
VTAI137202-313	VTA	1.375	2.020	0.313	R00711
VPKI137202-075	VPK	1.375	2.020	0.750	RZ6012
VBAI137212-125	VBA	1.375	2.125	0.125	R00996
VRFI137212-187	VRF	1.375	2.125	0.187	R00994
VTAI137212-312	VTA	1.375	2.125	0.312	R00995
VRFI137225-219	VRF	1.375	2.250	0.219	R00519
VRFI143200-282	VRF	1.437	2.000	0.282	R55996
VBAI143218-125	VBA	1.437	2.187	0.125	R01415
VRFI143218-187	VRF	1.437	2.187	0.187	R01389
VTAI143218-250	VTA	1.437	2.187	0.250	R01450
VBAI150187-063	VBA	1.500	1.875	0.063	R01416
VRFI150187-093	VRF	1.500	1.875	0.093	R01390
VTAI150187-250	VTA	1.500	1.875	0.250	R01451
VBAI150200-125	VBA	1.500	2.000	0.063	R00860
VRFI150200-125	VRF	1.500	2.000	0.125	R00515
VTAI150200-250	VTA	1.500	2.000	0.250	R00710
VPKI150200-068	VPK	1.500	2.000	0.688	RZ6011
VPKI150200-075	VPK	1.500	2.000	0.750	RK2744
VPKI150200-081	VPK	1.500	2.000	0.813	RZ6411
VPKI150200-090	VPK	1.500	2.000	0.906	RZ6102
VBAI150212-125	VBA	1.500	2.125	0.125	R00862
VRFI150212-156	VRF	1.500	2.125	0.156	R00517
VBAI150212-157	VBA	1.500	2.125	0.157	R00863
VTAI150212-250	VTA	1.500	2.125	0.250	R00712
VTAI150212-375	VTA	1.500	2.125	0.375	R00713
VPKI150212-084	VPK	1.500	2.125	0.844	RZ6013
VPKI150212-100	VPK	1.500	2.125	1.000	RZ6413
VBAI150225-125	VBA	1.500	2.250	0.125	R00864



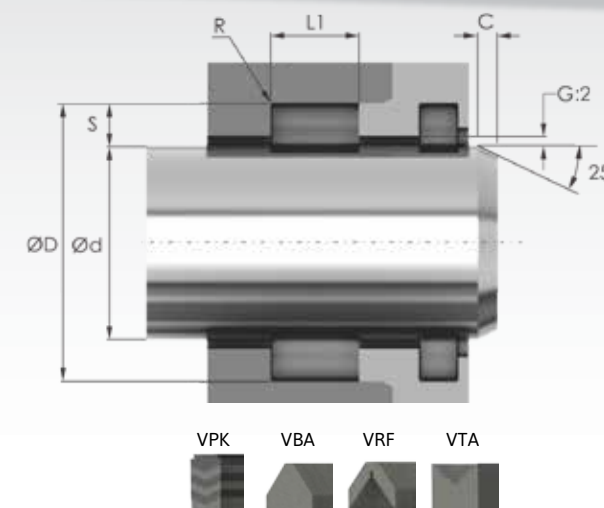
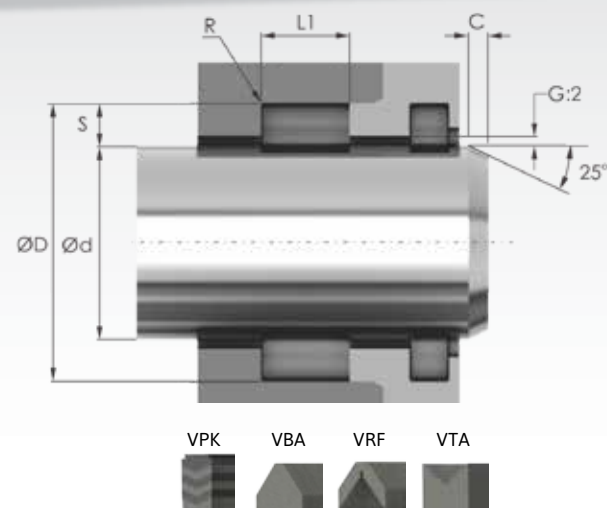
PART N°	PROFILE	HOUSING DIMENSIONS			REFERENCE N°
		Ød	ØD	L1	
VRFI150225-187	VRF	1.500	2.250	0.187	R00520
VTAI150225-312	VTA	1.500	2.250	0.312	R00714
VPKI150225-100	VPK	1.500	2.250	1.000	RZ6017
VRFI150250-250	VRF	1.500	2.500	0.250	R88641
VTAI150250-500	VTA	1.500	2.500	0.500	R89125
VBAI150250-500	VBA	1.500	2.500	0.500	R89126
VPKI150250-121	VPK	1.500	2.500	1.219	RZ8385
VRFI162200-093	VRF	1.625	2.000	0.093	R01391
VBAI162200-125	VBA	1.625	2.000	0.125	R01417
VTAI162200-250	VTA	1.625	2.000	0.250	R01452
VRFI162212-125	VRF	1.625	2.125	0.125	R00518
VBAI162212-125	VBA	1.625	2.125	0.125	R85394
VTAI162212-250	VTA	1.625	2.125	0.250	R85393
VBAI162225-125	VBA	1.625	2.250	0.125	R59915
VRFI162225-187	VRF	1.625	2.250	0.187	R59913
VTAI162225-250	VTA	1.625	2.250	0.250	R59914
VBAI162237-125	VBA	1.625	2.375	0.125	R01418
VRFI162237-187	VRF	1.625	2.375	0.187	R01392
VTAI162225-312	VTA	1.625	2.375	0.312	R01453
VBAI175212-063	VBA	1.750	2.125	0.063	R01419
VRFI175212-093	VRF	1.750	2.125	0.093	R01393
VTAI175212-250	VTA	1.750	2.125	0.250	R01454
VRFI175225-125	VRF	1.750	2.250	0.125	R00521
VBAI175225-125	VBA	1.750	2.250	0.125	R00865
VTAI175225-250	VTA	1.750	2.250	0.250	R00715
VPKI175225-068	VPK	1.750	2.250	0.688	RZ6018
VPKI175226-006	VPK	1.750	2.265	0.063	R45555
VRFI175226-125	VRF	1.750	2.265	0.125	R00522
VPKI175226-025	VPK	1.750	2.265	0.250	R45554
VPKI175226-780	VPK	1.750	2.265	0.780	RZ6490
VBAI175237-125	VBA	1.750	2.375	0.125	R00866
VRFI175237-156	VRF	1.750	2.375	0.156	R00523
VTAI175237-250	VTA	1.750	2.375	0.250	R00716
VPKI175237-084	VPK	1.750	2.375	0.844	RZ6019
VPKI175237-100	VPK	1.750	2.375	1.000	RZ6419
VBAI175250-125	VBA	1.750	2.500	0.125	R00867
VRFI175250-187	VRF	1.750	2.500	0.187	R00524
VTAI175250-312	VTA	1.750	2.500	0.312	R00717
VPKI175250-100	VPK	1.750	2.500	1.000	RZ6020
VBAI175275-125	VBA	1.750	2.750	0.125	R00875
VRFI175275-250	VRF	1.750	2.750	0.250	R00531
VTAI175275-500	VTA	1.750	2.750	0.500	R00724
VBAI177252-063	VBA	1.777	2.527	0.063	R00873
VRFI177252-188	VRF	1.777	2.527	0.187	R00528
VTAI177252-500	VTA	1.777	2.527	0.500	R00722

PART N°	PROFILE	HOUSING DIMENSIONS			REFERENCE N°
		Ød	ØD	L1	
VRFI177256-256	VRF	1.772	2.559	0.256	R01296
VBAI187237-125	VBA	1.875	2.375	0.125	R58948
VRFI187237-125	VRF	1.875	2.375	0.125	R59684
VTAI187237-250	VTA	1.875	2.375	0.250	R58947
VBAI187250-125	VBA	1.875	2.500	0.125	R00868
VRFI187250-156	VRF	1.875	2.500	0.156	R00525
VBAI187250-157	VBA	1.875	2.500	0.157	R00869
VTAI187250-250	VTA	1.875	2.500	0.250	R00718
VTAI187250-375	VTA	1.875	2.500	0.375	R00719
VPKI187250-084	VPK	1.875	2.500	0.844	RZ6021
VBAI187262-125	VBA	1.875	2.625	0.125	R01420
VRFI187262-187	VRF	1.875	2.625	0.187	R01297
VTAI187262-312	VTA	1.875	2.625	0.312	R01455
VBAI189252-063	VBA	1.892	2.520	0.063	R00872
VRFI189252-156	VRF	1.892	2.520	0.156	R00527
VTAI189252-290	VTA	1.892	2.520	0.290	R00721
VBAI196275-125	VBA	1.968	2.755	0.125	R00880
VRFI196275-251	VRF	1.968	2.755	0.251	R00535
VTAI196275-500	VTA	1.968	2.755	0.500	R00729
VBAI200237-063	VBA	2.000	2.375	0.063	R01421
VRFI200237-093	VRF	2.000	2.375	0.093	R01394
VTAI200237-250	VTA	2.000	2.375	0.250	R01456
VRFI200250-125	VRF	2.000	2.500	0.125	R00526
VBAI200250-063	VBA	2.000	2.500	0.063	R00870
VBAI200250-125	VBA	2.000	2.500	0.125	R00871
VTAI200250-250	VTA	2.000	2.500	0.250	R00720
VPKI200250-068	VPK	2.000	2.500	0.688	RZ6025
VPKI200250-075	VPK	2.000	2.500	0.750	RZ6026
VPKI200250-081	VPK	2.000	2.500	0.813	RZ6425
VBAI200262-125	VBA	2.000	2.625	0.125	R00874
VRFI200262-156	VRF	2.000	2.625	0.156	R00529
R06231	VRF	2.000	2.625	0.156	R06231
VTAI200262-250	VTA	2.000	2.625	0.250	R00723
VTAI200262-290	VTA	2.000	2.625	0.290	R00797
VTAI200262-375	VTA	2.000	2.625	0.375	R00798
VPKI200262-084	VPK	2.000	2.625	0.844	RZ6031
VRFI200268-187	VRF	2.000	2.687	0.187	R00530
VBAI200275-125	VBA	2.000	2.750	0.125	R00876
VRFI200275-187	VRF	2.000	2.750	0.187	R00532
VBAI200275-188	VBA	2.000	2.750	0.188	R00877
VTAI200275-312	VTA	2.000	2.750	0.312	R00725
VTAI200275-500	VTA	2.000	2.750	0.500	R00726
VPKI200275-100	VPK	2.000	2.750	1.000	RZ6034
VBAI200300-125	VBA	2.000	3.000	0.125	R00881
VRFI200300-250	VRF	2.000	3.000	0.250	R00540



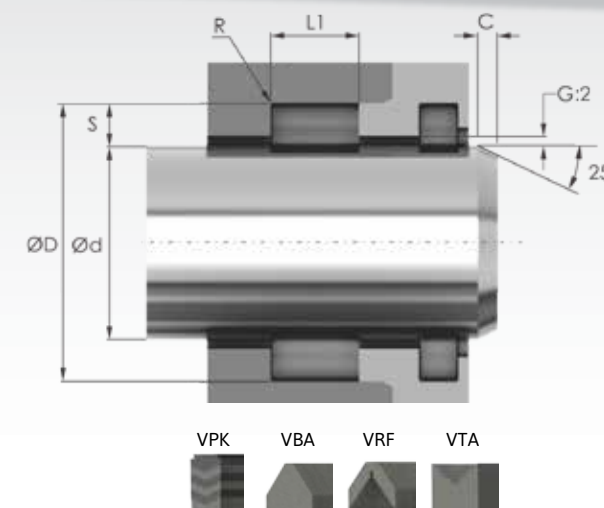
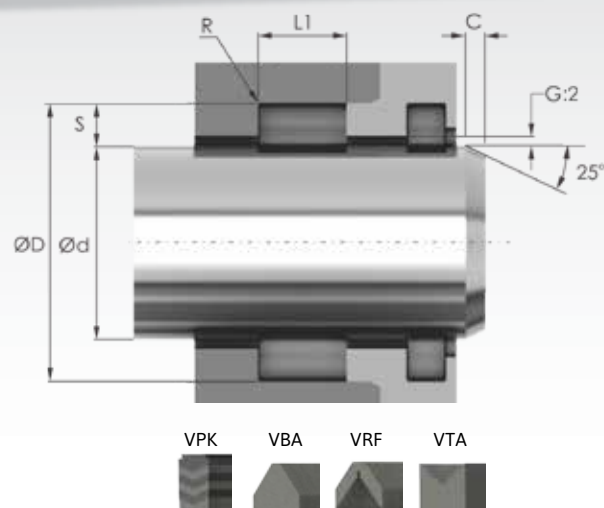
PART N°	PROFILE	HOUSING DIMENSIONS			REFERENCE N°
		Ød	ØD	L1	
VTAI200300-500	VTA	2.000	3.000	0.500	R00730
VPKI200300-134	VPK	2.000	3.000	1.340	RK2754
VRFI206287-156	VRF	2.062	2.875	0.156	R00536
VRFI212262-125	VRF	2.125	2.625	0.125	R00479
VBAI212262-125	VBA	2.125	2.625	0.125	R00878
VTAI212262-250	VTA	2.125	2.625	0.250	R00727
VBAI212275-125	VBA	2.125	2.750	0.125	R01422
VRFI212275-156	VRF	2.125	2.750	0.156	R00533
VTAI212275-250	VTA	2.125	2.750	0.250	R01457
VPKI212275-084	VPK	2.125	2.750	0.844	RZ6038
VBAI212287-125	VBA	2.125	2.875	0.125	R59749
VRFI212287-187	VRF	2.125	2.875	0.187	R00537
VTAI212287-312	VTA	2.125	2.875	0.312	R59748
VRFI225275-125	VRF	2.250	2.750	0.125	R00534
VBAI225275-125	VBA	2.250	2.750	0.125	R00879
VTAI225275-250	VTA	2.250	2.750	0.250	R00728
VPKI225275-084	VPK	2.250	2.750	0.844	RZ6039
VBAI225287-125	VBA	2.250	2.875	0.125	R06258
VRFI225287-156	VRF	2.250	2.875	0.156	R00538
VTAI225287-250	VTA	2.250	2.875	0.250	R06246
VPKI225287-093	VPK	2.250	2.875	0.937	RZ8388
VBAI225300-125	VBA	2.250	3.000	0.125	R00882
VRFI225300-187	VRF	2.250	3.000	0.187	R00541
VBAI225300-188	VBA	2.250	3.000	0.188	R00883
VTAI225300-312	VTA	2.250	3.000	0.312	R00731
VTAI225300-500	VTA	2.250	3.000	0.500	R00732
VPKI225300-100	VPK	2.250	3.000	1.000	RZ6042
VBAI225312-125	VBA	2.250	3.125	0.125	R01423
VRFI225312-218	VRF	2.250	3.125	0.218	R01395
VTAI225312-375	VTA	2.250	3.125	0.375	R01458
VBAI227302-063	VBA	2.275	3.020	0.063	R00886
VRFI227302-156	VRF	2.275	3.020	0.156	R00547
VTAI227302-268	VTA	2.275	3.020	0.268	R00735
VPKI227302-1156	VPK	2.275	3.020	1.156	RZ6491
VBAI236314-177	VBA	2.362	3.149	0.177	R00888
VRFI236315-236	VRF	2.362	3.149	0.236	R00550
VRFI236315-255	VRF	2.362	3.149	0.255	R00551
VTAI236314-492	VTA	2.362	3.149	0.492	R00738
VRFI237287-125	VRF	2.375	2.875	0.125	R00539
VBAI237287-188	VBA	2.375	2.875	0.188	R15291
VTAI237287-250	VTA	2.375	2.875	0.250	R01459
VBAI237300-125	VBA	2.375	3.000	0.125	R06297
VRFI237300-156	VRF	2.375	3.000	0.156	R00542
VTAI237300-250	VTA	2.375	3.000	0.250	R00733
R06263	VRF	2.000	2.375	0.156	R06263

PART N°	PROFILE	HOUSING DIMENSIONS			REFERENCE N°
		Ød	ØD	L1	
VPKI237300-084	VPK	2.375	3.000	0.844	RZ6046
VBAI237312-125	VBA	2.375	3.125	0.125	R06298
VRFI237312-187	VRF	2.375	3.125	0.187	R01396
VTAI237312-312	VTA	2.375	3.125	0.312	R01460
VPKI240300-000	VPK	2.400	3.000	0.000	RZW005
VRFI240300-156	VRF	2.400	3.000	0.156	R00543
VRFI240300-187	VRF	2.400	3.000	0.187	R00544
VBAI240300-188	VBA	2.400	3.000	0.188	R00884
VRFI247334-223	VRF	2.476	3.348	0.223	R00554
VBAI250300-063	VBA	2.500	3.000	0.063	R00885
VRFI250300-125	VRF	2.500	3.000	0.125	R00546
VTAI250300-250	VTA	2.500	3.000	0.250	R00734
VPKI250300-068	VPK	2.500	3.000	0.688	RZ6047
VPKI250300-077	VPK	2.500	3.000	0.777	RK2763
VPKI250300-081	VPK	2.500	3.000	0.813	RZ6447
VBAI250312-125	VBA	2.500	3.125	0.125	R00887
VRFI250312-156	VRF	2.500	3.125	0.156	R00549
VTAI250312-250	VTA	2.500	3.125	0.250	R00737
VPKI250312-084	VPK	2.500	3.125	0.844	RZ6049
VPKI250312-100	VPK	2.500	3.125	1.000	RZ6449
VBAI250325-125	VBA	2.500	3.250	0.125	R00889
VRFI250325-187	VRF	2.500	3.250	0.187	R00552
VTAI250325-312	VTA	2.500	3.250	0.312	R00739
VPKI250325-100	VPK	2.500	3.250	1.000	RZ6052
VBAI250350-125	VBA	2.500	3.500	0.125	R01424
VRFI250350-250	VRF	2.500	3.500	0.250	R01397
VTAI250350-500	VTA	2.500	3.500	0.500	R01461
VRFI265312-125	VRF	2.625	3.125	0.125	R01398
VBAI265312-125	VBA	2.625	3.125	0.125	R01425
VTAI262312-250	VTA	2.625	3.125	0.250	R01462
VBAI265337-125	VBA	2.625	3.375	0.125	R01426
VRFI265337-187	VRF	2.625	3.375	0.187	R01399
VTAI262375-312	VTA	2.625	3.375	0.312	R01463
VRFI275325-125	VRF	2.750	3.250	0.125	R00553
VBAI275325-125	VBA	2.750	3.250	0.125	R00890
VTAI275325-250	VTA	2.750	3.250	0.250	R15840
VPKI275325-075	VPK	2.750	3.250	0.750	RZ6054
VPKI275327-085	VPK	2.750	3.270	0.850	RZ6486
VBAI275337-125	VBA	2.750	3.375	0.125	R53866
VRFI275337-156	VRF	2.750	3.375	0.156	R08748
VTAI275337-250	VTA	2.750	3.375	0.250	R53867
VBAI275350-125	VBA	2.750	3.500	0.125	R00891
VRFI275350-156	VRF	2.750	3.500	0.156	R06269
VRFI275350-187	VRF	2.750	3.500	0.187	R00555
VBAI275350-188	VBA	2.750	3.500	0.188	R00893



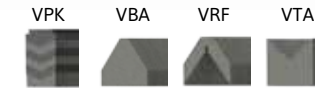
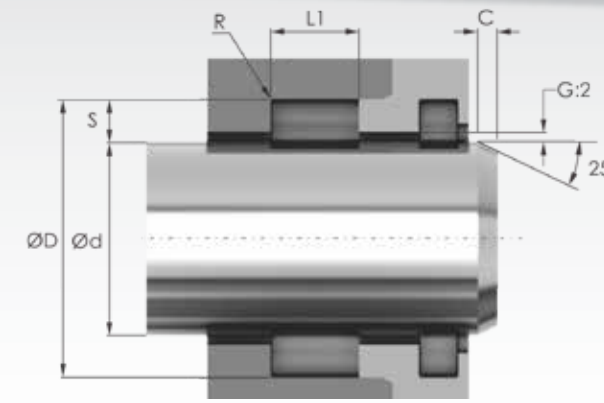
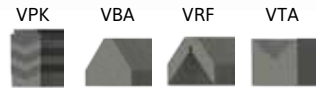
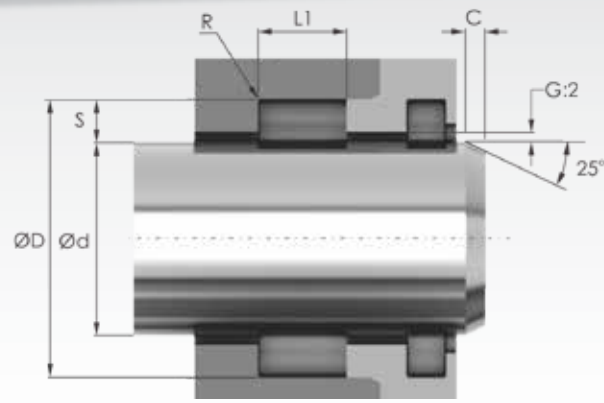
PART N°	PROFILE	HOUSING DIMENSIONS			REFERENCE N°
		Ød	ØD	L1	
VTAI275350-312	VTA	2.750	3.500	0.312	R00740
VTAI275350-500	VTA	2.750	3.500	0.500	R00741
VPKI275350-097	VPK	2.750	3.500	0.978	RZ6053
VTAI275352-200	VTA	2.750	3.520	0.200	R88968
VBAI275352-200	VBA	2.750	3.520	0.200	R88970
VRFI275359-156	VRF	2.750	3.590	0.156	R00558
VRFI275375-250	VRF	2.750	3.750	0.250	R00694
VBAI277352-063	VBA	2.770	3.525	0.063	R00895
VRFI277352-187	VRF	2.770	3.525	0.187	R00557
VTAI277352-375	VTA	2.770	3.525	0.375	R00743
VRFI281381-250	VRF	2.810	3.810	0.250	R00560
VBAI287350-125	VBA	2.875	3.500	0.125	R86971
VRFI287350-187	VRF	2.875	3.500	0.187	R86969
VTAI287350-250	VTA	2.875	3.500	0.250	R86970
VBAI287362-125	VBA	2.875	3.625	0.125	R53855
VRFI287362-187	VRF	2.875	3.625	0.187	R54546
VTAI287362-312	VTA	2.875	3.625	0.312	R53856
VPKI287362-093	VPK	2.875	3.625	0.939	RZ8389
VRFI300350-125	VRF	3.000	3.500	0.125	R00556
VBAI300350-125	VBA	3.000	3.500	0.125	R00894
VTAI300350-250	VTA	3.000	3.500	0.250	R00742
VPKI300350-068	VPK	3.000	3.500	0.688	RZ6058
VPKI300350-813	VPK	3.000	3.500	0.813	RZ6458
VBAI300362-125	VBA	3.000	3.625	0.125	R58936
VRFI300362-156	VRF	3.000	3.625	0.156	R58933
VTAI300362-250	VTA	3.000	3.625	0.250	R52770
VPKI300362-084	VPK	3.000	3.625	0.844	RZ8390
VBAI300375-125	VBA	3.000	3.750	0.125	R00896
VRFI300375-187	VRF	3.000	3.750	0.187	R00559
VTAI300375-312	VTA	3.000	3.750	0.312	R00744
VPKI300375-100	VPK	3.000	3.750	1.000	RZ6060
VPKI300375-112	VPK	3.000	3.750	1.125	R85504
VBAI300400-125	VBA	3.000	4.000	0.125	R89429
VRFI300400-250	VRF	3.000	4.000	0.250	R06278
VTAI300400-500	VTA	3.000	4.000	0.500	R06291
VBAI312375-125	VBA	3.125	3.750	0.125	R01427
VRFI312375-187	VRF	3.125	3.750	0.156	R01400
VTAI312375-250	VTA	3.125	3.750	0.250	R01464
VRFI312400-219	VRF	3.125	4.000	0.219	R00564
VBAI322387-125	VBA	3.229	3.875	0.125	R00897
VRFI322387-156	VRF	3.227	3.875	0.156	R00561
VRFI323387-156	VRF	3.229	3.875	0.156	R00562
VTAI322387-438	VTA	3.229	3.875	0.438	R00745
VBAI323402-063	VBA	3.238	4.028	0.063	R00901
VRFI323402-187	VRF	3.238	4.028	0.187	R00570

PART N°	PROFILE	HOUSING DIMENSIONS			REFERENCE N°
		Ød	ØD	L1	
VTAI323402-328	VTA	3.238	4.028	0.328	R00750
VTAI323402-625	VTA	3.238	4.028	0.625	R00749
VBAI325375-125	VBA	3.250	3.750	0.125	R52110
VRFI325375-125	VRF	3.250	3.750	0.125	R54917
VTAI325375-250	VTA	3.250	3.750	0.250	R52109
VRFI325387-172	VRF	3.250	3.875	0.172	R00563
VBAI325400-125	VBA	3.250	4.000	0.125	R00898
VRFI325400-187	VRF	3.250	4.000	0.187	R00565
VBAI325400-188	VBA	3.250	4.000	0.188	R00899
VTAI325400-375	VTA	3.250	4.000	0.375	R00746
VTAI325400-500	VTA	3.250	4.000	0.500	R00747
VPKI325400-100	VPK	3.250	4.000	1.000	RZ6061
VPKI325400-112	VPK	3.250	4.000	1.125	RZ6461
VPKI325400-125	VPK	3.250	4.000	1.250	RZ6064
VPKI325402-102	VPK	3.250	4.020	1.020	RZ6466
VBAI325425-063	VBA	3.250	4.250	0.063	R09903
VRFI325425-250	VRF	3.250	4.250	0.250	R00572
VTAI325425-500	VTA	3.250	4.250	0.500	R00751
VRFI325487-406	VRF	3.250	4.875	0.406	R00587
VBAI337400-125	VBA	3.375	4.000	0.125	R16775
VRFI337400-156	VRF	3.375	4.000	0.156	R15938
VTAI337400-250	VTA	3.375	4.000	0.250	R16776
VPKI337412-123	VPK	3.375	4.125	1.236	RK2778
VRFI338400-187	VRF	3.385	4.000	0.187	R00566
VPKI340400-087	VPK	3.400	4.000	0.875	RZW004
VBAI340400-063	VBA	3.400	4.000	0.063	R00938
VRFI340400-156	VRF	3.400	4.000	0.156	R00567
VRFI340400-187	VRF	3.400	4.000	0.187	R00568
VBAI340400-188	VBA	3.400	4.000	0.188	R00900
VRFI350400-125	VRF	3.500	4.000	0.125	R00569
VBAI350400-125	VBA	3.500	4.000	0.125	R01100
VTAI350400-250	VTA	3.500	4.000	0.250	R00748
VPKI350400-068	VPK	3.500	4.000	0.688	RZ6065
VPKI350400-082	VPK	3.500	4.000	0.825	RZ6465
VBAI350425-125	VBA	3.500	4.250	0.125	R00903
VRFI350425-187	VRF	3.500	4.250	0.187	R00573
VTAI350425-312	VTA	3.500	4.250	0.312	R00752
VPKI350425-100	VPK	3.500	4.250	1.000	RZ6068
VPKI350425-112	VPK	3.500	4.250	1.125	RZ6468
VBAI350450-125	VBA	3.500	4.500	0.125	R00904
VRFI350450-250	VRF	3.500	4.500	0.250	R00575
VBAI350450-375	VBA	3.500	4.500	0.375	R00905
VTAI350450-500	VTA	3.500	4.500	0.500	R00753
VTAI350450-625	VTA	3.500	4.500	0.625	R00754
VPKI350450-131	VPK	3.500	4.500	1.313	RZ6069



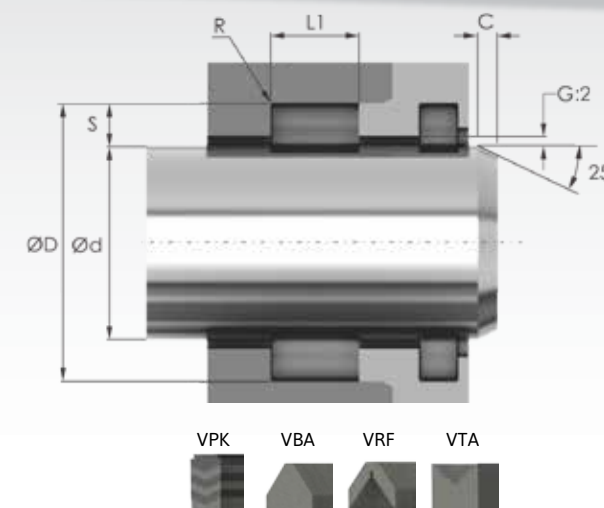
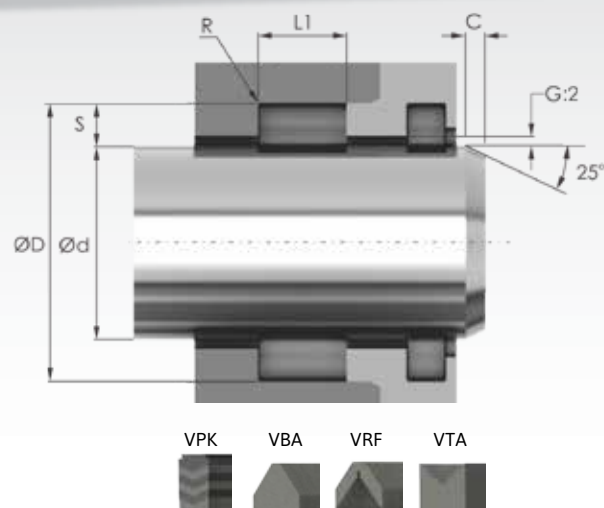
PART N°	PROFILE	HOUSING DIMENSIONS			REFERENCE N°
		Ød	ØD	L1	
VRFI350487-344	VRF	3.500	4.875	0.344	R00588
VBAI352452-063	VBA	3.525	4.525	0.063	R00907
VRFI352452-250	VRF	3.525	4.525	0.250	R00578
VTAI352452-480	VTA	3.525	4.525	0.480	R00757
VRFI362462-250	VRF	3.625	4.625	0.250	R08747
VRFI373436-156	VRF	3.735	4.360	0.156	R00574
VRFI375425-125	VRF	3.750	4.250	0.125	R15517
VBAI375425-063	VBA	3.750	4.250	0.063	R59439
VTAI375425-250	VTA	3.750	4.250	0.250	R59440
VBAI375437-125	VBA	3.750	4.375	0.125	R53869
VRFI375437-156	VRF	3.750	4.375	0.156	R53868
VTAI375437-250	VTA	3.750	4.375	0.250	R00799
VPKI375437-131	VPK	3.750	4.375	1.312	R85591
VBAI375450-125	VBA	3.750	4.500	0.125	R00906
VRFI375450-187	VRF	3.750	4.500	0.187	R00576
VTAI375450-312	VTA	3.750	4.500	0.312	R00755
VPKI375450-100	VPK	3.750	4.500	1.000	RZ6073
VPKI375450-112	VPK	3.750	4.500	1.125	RZ6473
VRFI377452-187	VRF	3.774	4.522	0.187	R00580
VPKI377452-101	VPK	3.775	4.525	1.015	
VBAI387450-125	VBA	3.875	4.500	0.125	R55470
VRFI387450-156	VRF	3.875	4.500	0.156	R55469
VTAI387450-250	VTA	3.875	4.500	0.250	R55468
VBAI387462-063	VBA	3.875	4.625	0.063	R59754
VRFI387462-187	VRF	3.875	4.625	0.187	R00581
VTAI387462-312	VTA	3.875	4.625	0.312	R59752
VRFI387475-187	VRF	3.875	4.750	0.187	R00583
VRFI387487-250	VRF	3.875	4.875	0.250	R46787
VTAI387487-500	VTA	3.875	4.875	0.500	R46786
VBAI387487-587	VBA	3.875	4.875	0.587	R46788
VBAI397475-125	VBA	3.979	4.750	0.125	R00909
VRFI397475-156	VRF	3.979	4.750	0.156	R00585
VRFI397475-172	VRF	3.979	4.750	0.172	R00584
VTAI397475-438	VTA	3.979	4.750	0.438	R00759
VBAI400450-062	VBA	4.000	4.500	0.062	R16723
VRFI400450-125	VRF	4.000	4.500	0.125	R00577
VBAI400450-125	VBA	4.000	4.500	0.125	R06714
VTAI400450-250	VTA	4.000	4.500	0.250	R00756
VPKI400450-068	VPK	4.000	4.500	0.688	RZ6074
VBAI400462-125	VBA	4.000	4.625	0.125	R01428
VRFI400462-187	VRF	4.000	4.625	0.187	R01401
VTAI400462-250	VTA	4.000	4.625	0.250	R01465
VBAI400475-125	VBA	4.000	4.750	0.125	R15249
VRFI400475-187	VRF	4.000	4.750	0.187	R15250
VTAI400475-312	VTA	4.000	4.750	0.312	R15248

PART N°	PROFILE	HOUSING DIMENSIONS			REFERENCE N°
		Ød	ØD	L1	
VPKI400475-093	VPK	4.000	4.750	0.936	RZ8391
VRFI400487-218	VRF	4.000	4.875	0.218	R00493
VTAI400487-000	VTA	4.000	4.875	0.000	R00494
VBAI400487-062	VBA	4.000	4.875	0.062	R00913
VBAI400500-063	VBA	4.000	5.000	0.063	R00911
VBAI400500-125	VBA	4.000	5.000	0.125	R00912
VRFI400500-187	VRF	4.000	5.000	0.187	R00591
VRFI400500-250	VRF	4.000	5.000	0.250	R00590
VTAI400500-500	VTA	4.000	5.000	0.500	R00762
VTAI400500-625	VTA	4.000	5.000	0.625	R00763
VPKI400500-125	VPK	4.000	5.000	1.250	RZ6079
VPKI400500-131	VPK	4.000	5.000	1.313	RZ6080
VPKI400500-144	VPK	4.000	5.000	1.440	RZ6478
VBAI402452-063	VBA	4.020	4.524	0.063	R00908
VRFI402502-125	VRF	4.020	5.025	0.125	R00579
VTAI402452-250	VTA	4.020	4.524	0.250	R00758
VBAI402502-063	VBA	4.025	5.025	0.063	R00916
VRFI402502-250	VRF	4.025	5.025	0.250	R00597
VTAI402502-484	VTA	4.025	5.025	0.484	R00765
VRFI406453-187	VRF	4.062	4.531	0.187	R00998
VRFI406456-187	VRF	4.062	4.562	0.187	R00999
VRFI409472-157	VRF	4.093	4.724	0.157	R00582
VRFI425475-125	VRF	4.250	4.750	0.125	R00586
VTAI425475-250	VTA	4.250	4.750	0.250	R00760
VPKI425475-068	VPK	4.250	4.750	0.688	RZ6077
VRFI425487-156	VRF	4.250	4.875	0.156	R00589
VBAI425500-125	VBA	4.250	5.000	0.125	R00914
VRFI425500-187	VRF	4.250	5.000	0.187	R00592
VTAI425500-312	VTA	4.250	5.000	0.312	R00764
VPKI425500-088	VPK	4.250	5.000	0.880	RZ6085
VPKI425500-109	VPK	4.250	5.000	1.090	RZ6485
VRFI437487-125	VRF	4.375	4.875	0.125	R01402
VBAI437487-125	VBA	4.375	4.875	0.125	R01429
VTAI437487-250	VTA	4.375	4.875	0.250	R01466
VRFI437500-156	VRF	4.375	5.000	0.156	R86983
VBAI437500-150	VBA	4.375	5.000	0.150	R86985
VTAI437500-375	VTA	4.375	5.000	0.375	R86984
VRFI437525-219	VRF	4.375	5.250	0.219	R00598
VTAI437525-438	VTA	4.375	5.250	0.438	R00766
VTAI437537-500	VTA	4.375	5.375	0.500	R58999
VRFI438500-187	VRF	4.385	5.000	0.187	R00593
VPKI440500-000	VPK	4.400	5.000	0.000	RZW003
VBAI440500-063	VBA	4.400	5.000	0.063	R00939
VRFI440500-156	VRF	4.400	5.000	0.156	R00594
VRFI440500-187	VRF	4.400	5.000	0.187	R00595



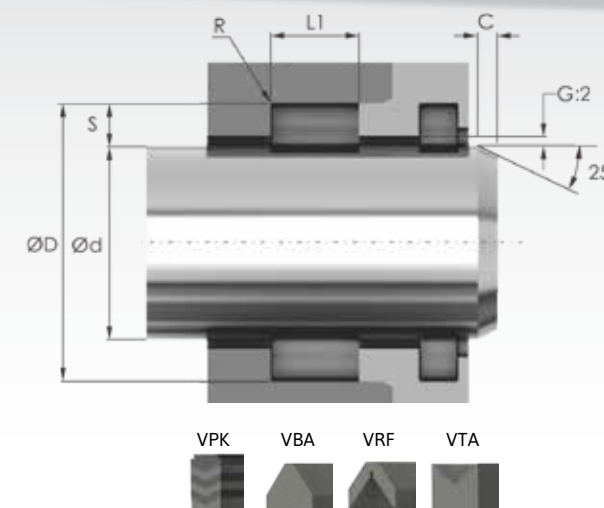
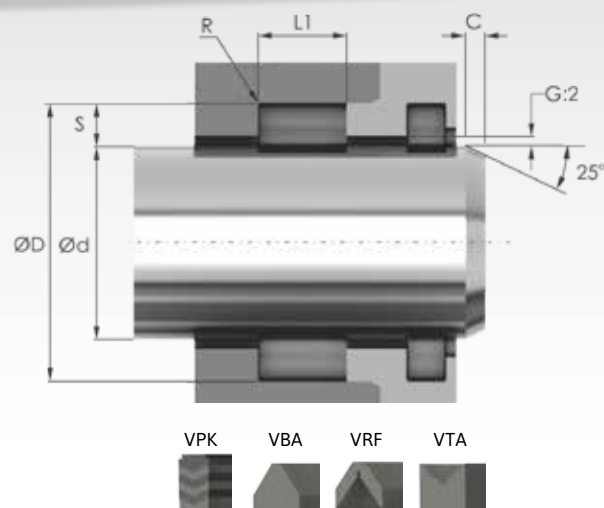
PART N°	PROFILE	HOUSING DIMENSIONS			REFERENCE N°
		Ød	ØD	L1	
VBAI440500-188	VBA	4.400	5.000	0.188	R00915
VRFI440500-188	VRF	4.400	5.000	0.188	
VTAI440500-250	VTA	4.400	5.000	0.250	R09911
VRFI448528-156	VRF	4.487	5.281	0.156	R00601
VTAI448528-375	VTA	4.487	5.280	0.375	R00767
VRFI450500-125	VRF	4.500	5.000	0.125	R00596
VBAI450500-125	VBA	4.500	5.000	0.125	R01101
VTAI450500-250	VTA	4.500	5.000	0.250	R53484
VBAI450512-125	VBA	4.500	5.125	0.125	R86677
VRFI450512-156	VRF	4.500	5.125	0.156	R86362
VTAI450512-250	VTA	4.500	5.125	0.250	R86676
VBAI450525-125	VBA	4.500	5.250	0.125	R06720
VRFI450525-187	VRF	4.500	5.250	0.187	R00599
VTAI450525-312	VTA	4.500	5.250	0.312	R06711
VPKI450525-071	VPK	4.500	5.250	0.718	R85963
VTAI450537-375	VTA	4.500	5.375	0.375	R59817
VBAI450550-125	VBA	4.500	5.500	0.125	R00917
VRFI450550-250	VRF	4.500	5.500	0.250	R00602
VTAI450550-500	VTA	4.500	5.500	0.500	R00768
VBAI462537-125	VBA	4.625	5.375	0.125	R01430
VRFI462537-250	VRF	4.625	5.375	0.250	R01403
VTAI462537-312	VTA	4.625	5.375	0.312	R01467
VBAI472550-125	VBA	4.729	5.500	0.125	R00918
VRFI472550-156	VRF	4.729	5.500	0.156	R00604
VRFI472550-172	VRF	4.727	5.500	0.172	R00603
VTAI472550-438	VTA	4.729	5.500	0.438	R00769
VRFI474539-156	VRF	4.745	5.392	0.156	R00498
VRFI475525-125	VRF	4.750	5.250	0.125	R00600
VBAI475525-125	VBA	4.750	5.250	0.125	R59709
VTAI475525-250	VTA	4.750	5.250	0.250	R59708
VBAI475537-062	VBA	4.750	5.375	0.062	R59734
VRFI475537-156	VRF	4.750	5.375	0.156	R00499
VTAI475537-470	VTA	4.750	5.375	0.470	R00800
VPKI475537-125	VPK	4.750	5.375	1.250	R85773
VBAI475550-125	VBA	4.750	5.500	0.125	R16769
VRFI475550-187	VRF	4.750	5.500	0.187	R00605
VTAI475550-312	VTA	4.750	5.500	0.312	R16768
VPKI475550-081	VPK	4.750	5.500	0.812	
VBAI425475-063	VBA	4.250	4.750	0.063	R00910
VRFI481556-187	VRF	4.812	5.562	0.187	R00607
VBAI500537-062	VBA	5.000	5.375	0.062	R54595
VRFI500550-125	VRF	5.000	5.500	0.125	R00606
VBAI500550-125	VBA	5.000	5.500	0.125	R00919
VBAI500550-188	VBA	5.000	5.500	0.188	R00991
VTAI500550-250	VTA	5.000	5.500	0.250	R00770

PART N°	PROFILE	HOUSING DIMENSIONS			REFERENCE N°
		Ød	ØD	L1	
VPKI500550-068	VPK	5.000	5.500	0.688	RZ6089
VPKI500550-075	VPK	5.000	5.500	0.750	R85758
VPKI500550-075	VPK	5.000	5.500	0.750	R85758
VPKI500550-813	VPK	5.000	5.500	0.813	RZ6489
VBAI500562-125	VBA	5.000	5.625	0.125	R01431
VRFI500562-156	VRF	5.000	5.625	0.156	R89030
VTAI500562-250	VTA	5.000	5.625	0.250	R89031
VBAI500575-125	VBA	5.000	5.750	0.125	R52203
VRFI500575-187	VRF	5.000	5.750	0.187	R55635
VTAI500575-312	VTA	5.000	5.750	0.312	R52202
VRFI500587-270	VRF	5.000	5.875	0.270	R00608
VBAI500600-125	VBA	5.000	6.000	0.125	R00920
VRFI500600-250	VRF	5.000	6.000	0.250	R00610
VTAI500600-500	VTA	5.000	6.000	0.500	R00771
VPKI500600-225	VPK	5.000	6.000	2.250	
VBAI503602-063	VBA	5.030	6.025	0.063	R00923
VRFI503602-250	VRF	5.031	6.025	0.250	R00617
VTAI503602-484	VTA	5.030	6.025	0.484	R00773
VBAI512602-063	VBA	5.125	6.020	0.063	R00922
VRFI512602-250	VRF	5.125	6.020	0.250	R00616
VTAI512602-438	VTA	5.125	6.020	0.438	R00772
VRFI525587-172	VRF	5.250	5.875	0.172	R00609
VBAI525600-125	VBA	5.250	6.000	0.125	R86406
VRFI525600-187	VRF	5.250	6.000	0.187	R00611
VTAI525600-312	VTA	5.250	6.000	0.312	R59581
VBAI525600-315	VBA	5.250	6.000	0.315	R86982
VTAI525600-650	VTA	5.250	6.000	0.650	R86981
VBAI537650-062	VBA	5.375	6.500	0.062	R59736
VRFI538600-187	VRF	5.385	6.000	0.187	R00612
VBAI540600-063	VBA	5.400	6.000	0.063	R00921
VRFI540600-156	VRF	5.400	6.000	0.156	R00613
VRFI540600-187	VRF	5.400	6.000	0.187	R00614
VBAI540600-188	VBA	5.400	6.000	0.188	R00940
VPKI540600-087	VPK	5.400	6.000	0.875	RZW002
VTAI547602-438	VTA	5.477	6.025	0.438	R00774
VBAI547637-063	VBA	5.479	6.375	0.063	R00924
VRFI547637-156	VRF	5.479	6.375	0.156	R00620
VRFI547637-219	VRF	5.477	6.372	0.219	R00619
VRFI550600-125	VRF	5.500	6.000	0.125	R00615
VBAI550600-125	VBA	5.500	6.000	0.125	R01102
VTAI550600-250	VTA	5.500	6.000	0.250	R59844
VRFI550625-187	VRF	5.500	6.250	0.187	R00618
VBAI550650-125	VBA	5.500	6.500	0.125	R59711
VRFI550650-250	VRF	5.500	6.500	0.250	R00621
VTAI550650-500	VTA	5.500	6.500	0.500	R59751



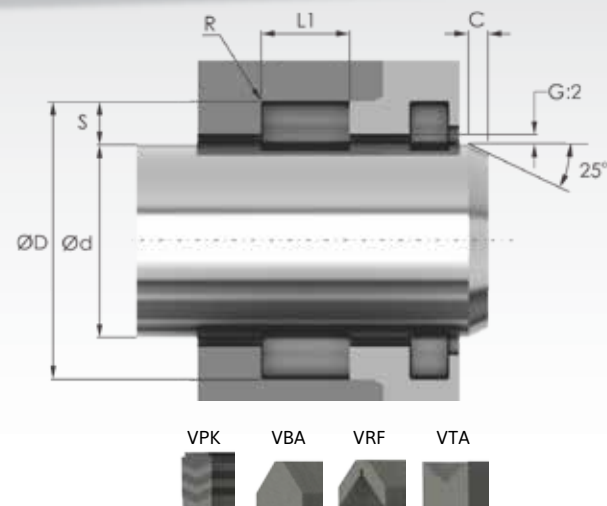
PART N°	PROFILE	HOUSING DIMENSIONS			REFERENCE N°
		Ød	ØD	L1	
VRFI574639-156	VRF	5.745	6.392	0.156	R00496
VRFI575637-156	VRF	5.750	6.375	0.156	R00497
VTAI575637-470	VTA	5.750	6.375	0.470	R00801
VPKI575637-125	VPK	5.750	6.375	1.250	R85774
VRFI575650-187	VRF	5.750	6.500	0.187	R16767
VBAI575650-062	VBA	5.750	6.500	0.062	R16765
VTAI575650-312	VTA	5.750	6.500	0.312	R16766
VBAI575675-125	VBA	5.750	6.750	0.125	R89370
VRFI575675-250	VRF	5.750	6.750	0.250	R59717
VTAI575675-500	VTA	5.750	6.750	0.500	R89369
VRFI575700-312	VRF	5.750	7.000	0.312	R00627
VBAI576652-063	VBA	5.767	6.520	0.063	R00925
VRFI576652-156	VRF	5.767	6.520	0.156	R00623
VTAI576652-313	VTA	5.767	6.520	0.313	R00776
VBAI600650-062	VBA	6.000	6.500	0.062	R86530
VBAI600650-125	VBA	6.000	6.500	0.125	R15469
VRFI600650-125	VRF	6.000	6.500	0.125	R85489
VTAI600650-250	VTA	6.000	6.500	0.250	R59467
VPKI600650-067	VPK	6.000	6.500	0.675	RK2812
VBAI600675-125	VBA	6.000	6.750	0.125	R59908
VRFI600675-187	VRF	6.000	6.750	0.187	R00625
VTAI600675-250	VTA	6.000	6.750	0.250	R54525
VBAI600700-125	VBA	6.000	7.000	0.125	R00928
VRFI600700-250	VRF	6.000	7.000	0.250	R00628
VTAI600700-500	VTA	6.000	7.000	0.500	R00778
VBAI600725-125	VBA	6.000	7.250	0.125	R01432
VRFI600725-312	VRF	6.000	7.250	0.312	RZ8399
VTAI600725-500	VTA	6.000	7.250	0.500	R01468
VRFI603703-250	VRF	6.030	7.030	0.250	R00632
VTAI612687-312	VTA	6.125	6.875	0.312	R59608
VBAI613662-063	VBA	6.135	6.625	0.063	R00926
VRFI613662-085	VRF	6.135	6.625	0.085	R00624
VTAI613662-250	VTA	6.135	6.625	0.250	R00777
VBAI622725-125	VBA	6.229	7.250	0.125	R89750
VRFI622725-188	VRF	6.229	7.250	0.188	R00635
VTAI622725-600	VTA	6.229	7.250	0.600	R89749
VRFI623710-219	VRF	6.230	7.105	0.219	R00634
VBAI625725-062	VBA	6.250	7.250	0.062	R50635
VRFI625725-250	VRF	6.250	7.250	0.250	R50634
VTAI625725-406	VTA	6.250	7.250	0.000	R50636
VRFI629708-196	VRF	6.299	7.086	0.196	R00633
VBAI637687-063	VBA	6.375	6.875	0.063	R00927
VRFI637875-125	VRF	6.375	6.375	0.125	R00626
VBAI637700-125	VBA	6.375	7.000	0.125	R00929
VRFI637700-156	VRF	6.375	7.000	0.156	R00629

PART N°	PROFILE	HOUSING DIMENSIONS			REFERENCE N°
		Ød	ØD	L1	
VTAI637700-250	VTA	6.375	7.000	0.250	R01469
VRFI640700-187	VRF	6.400	7.000	0.187	R00630
VPKI640700-094	VPK	6.400	7.000	0.940	RZW007
VRFI650700-125	VRF	6.500	7.000	0.125	R00631
VBAI650700-125	VBA	6.500	7.000	0.125	R01030
VTAI650700-250	VTA	6.500	7.000	0.250	R01470
VPKI650700-750	VPK	6.500	7.000	0.750	RK28174
VBAI650712-063	VBA	6.500	7.125	0.063	R51111
VBAI650725-125	VBA	6.500	7.250	0.125	R15986
VRFI650725-187	VRF	6.500	7.250	0.187	R15985
VTAI650725-312	VTA	6.500	7.250	0.312	R01471
VTAI650750-500	VTA	6.500	7.500	0.500	R88981
VBAI650750-500	VBA	6.500	7.500	0.500	R88982
VTAI650775-375	VTA	6.500	7.750	0.375	R89430
VRFI650800-328	VPK	6.500	8.000	0.328	R86904
VTAI650800-562	VTA	6.500	8.000	0.562	R86905
VBAI675725-125	VBA	6.750	7.250	0.125	R53931
VTAI675725-250	VTA	6.750	7.250	0.250	R53930
VBAI675737-063	VBA	6.750	7.375	0.063	R00930
VRFI675737-156	VRF	6.750	7.375	0.156	R00636
VTAI675737-313	VTA	6.750	7.375	0.313	R00779
VRFI675750-187	VRF	6.750	7.500	0.187	R00638
VBAI675800-062	VBA	6.750	8.000	0.062	R54545
VRFI675800-281	VRF	6.750	8.000	0.281	R54543
VTAI675800-500	VTA	6.750	8.000	0.500	R54544
VBAI686787-063	VBA	6.866	7.875	0.063	R00931
VRFI686787-219	VRF	6.866	7.875	0.219	R00639
VTAI686787-438	VTA	6.866	7.875	0.438	R00780
VBAI700750-125	VBA	7.000	7.500	0.125	R15559
VRFI700750-125	VRF	7.000	7.500	0.125	R15601
VTAI700750-250	VTA	7.000	7.500	0.250	R15600
VPKI700775-115	VPK	7.000	7.750	1.156	RZ8370
VBAI700800-125	VBA	7.000	8.000	0.125	R00932
VRFI700800-250	VRF	7.000	8.000	0.250	R00640
VTAI700800-500	VTA	7.000	8.000	0.500	R00781
VPKI700800-131	VPK	7.000	8.000	1.313	RZ6099
VRFI700825-375	VRF	7.000	8.250	0.375	R16782
VTAI725825-500	VTA	7.250	8.250	0.500	R63201
VRFI725850-250	VRF	7.250	8.500	0.250	R16712
VTAI725850-500	VTA	7.250	8.500	0.500	R16711
VBAI737800-063	VBA	7.375	8.000	0.063	R00933
VRFI737800-156	VRF	7.375	8.000	0.156	R00641
VBAI741800-063	VBA	7.410	8.000	0.063	R00934
VRFI741800-187	VRF	7.410	8.000	0.187	R00642
VRFI747850-188	VRF	7.479	8.500	0.188	R00643



PART N°	PROFILE	HOUSING DIMENSIONS			REFERENCE N°
		Ød	ØD	L1	
VBAI750800-125	VBA	7.500	8.000	0.125	R01433
VRFI750800-125	VRF	7.500	8.000	0.125	RK2828
VTAI750800-250	VTA	7.500	8.000	0.250	R01472
VBAI750812-063	VBA	7.500	8.125	0.063	R00993
VRFI750812-187	VRF	7.500	8.125	0.187	R00657
VPKI750812-087	VPK	7.500	8.125	0.875	RZW006
VBAI750850-125	VBA	7.500	8.500	0.125	R50631
VRFI750850-250	VRF	7.500	8.500	0.250	R50633
VTAI750850-500	VTA	7.500	8.500	0.500	R50632
VRFI775850-187	VRF	7.750	8.500	0.187	R11223
VRFI787905-295	VRF	7.875	9.055	0.295	R09948
VRFI790852-156	VRF	7.900	8.525	0.156	R00645
VRFI793918-250	VRF	7.937	9.187	0.250	R00649
VRFI800850-125	VRF	8.000	8.500	0.125	R00644
VBAI800850-125	VBA	8.000	8.500	0.125	R00935
VTAI800850-250	VTA	8.000	8.500	0.250	R00782
VPKI800850-068	VPK	8.000	8.500	0.688	RZ6100
VBAI800875-063	VBA	8.000	8.750	0.063	R00941
VRFI800875-187	VRF	8.000	8.750	0.187	R00646
VTAI800875-313	VTA	8.000	8.750	0.313	R00802
VPKI800875-094	VPK	8.000	8.750	0.940	RZ8402
VBAI800900-062	VBA	8.000	9.000	0.062	R54604
VBAI800900-125	VBA	8.000	9.000	0.125	R01434
VRFI800900-250	VRF	8.000	9.000	0.250	R15796
VTAI800900-500	VTA	8.000	9.000	0.500	R00783
VRFI800950-375	VRF	8.000	9.500	0.375	R00650
VRFI8001000-500	VRF	8.000	10.000	0.500	R00651
VBAI825950-250	VBA	8.250	9.500	0.250	R59674
VRFI825950-281	VRF	8.250	9.500	0.281	R59677
VTAI825950-281	VTA	8.250	9.500	0.281	R59678
VRFI850900-125	VRF	8.500	9.000	0.125	R01404
VBAI850900-125	VBA	8.500	9.000	0.125	R01435
VTAI850900-250	VTA	8.500	9.000	0.250	R01473
VRFI850925-187	VRF	8.500	9.250	0.187	R15987
VBAI850925-062	VBA	8.500	9.250	0.062	R15988
VTAI850925-312	VTA	8.500	9.250	0.312	R52484
VBAI850950-125	VBA	8.500	9.500	0.125	R54656
VRFI850950-250	VRF	8.500	9.500	0.250	R06740
VTAI850950-500	VTA	8.500	9.500	0.500	R54657
VPKI850950-137	VPK	8.500	9.500	1.375	R86502
VPKI850975-200	VPK	8.500	9.750	2.000	RZ6420
VBAI875975-062	VBA	8.750	9.750	0.062	R59673
VRFI875975-250	VRF	8.750	9.750	0.250	R59671
VTAI875975-406	VTA	8.750	9.750	0.406	R59672
VBAI8751000-125	VBA	0.750	10.000	0.125	R54264

PART N°	PROFILE	HOUSING DIMENSIONS			REFERENCE N°
		Ød	ØD	L1	
VRFI8751000-281	VRF	8.750	10.000	0.281	R54265
VTAI8751000-625	VTA	8.750	10.000	0.625	R54381
VRFI900950-125	VRF	9.000	9.500	0.125	R01405
VBAI900950-125	VBA	9.000	9.500	0.125	R01436
VTAI900950-250	VTA	9.000	9.500	0.250	R01474
VRFI9001000-250	VRF	9.000	10.000	0.250	R00652
VBAI9001000-25	VBA	9.000	10.000	0.250	R01406
VBAI9001000-125	VBA	9.000	10.000	0.250	R01437
VTAI9001000-250	VTA	9.000	10.000	0.250	R01438
VBAI9001000-250	VBA	9.000	10.000	0.250	R86394
VTAI9001000-500	VTA	9.000	10.000	0.500	R01475
VTAI9001000-50-T	VTA	9.000	10.000	0.500	R86396
VRFI9001025-313	VRF	9.000	10.250	0.313	R00653
VRFI9441062-295	VRF	9.448	10.629	0.295	R00656
VRFI9501000-125	VRF	9.500	10.000	0.125	R54010
VTAI9501000-125	VTA	9.500	10.000	0.125	R54012
VBAI9501000-125	VBA	9.500	10.000	0.125	R01439
VTAI9501000-250	VTA	9.500	10.000	0.250	R01477
VBAI9501050-125	VBA	9.500	10.500	0.125	R01440
VRFI9501050-250	VRF	9.500	10.500	0.250	R01408
VBAI9501050-250	VBA	9.500	10.500	0.250	R88020
VTAI9501050-500	VTA	9.500	10.500	0.500	R01478
VBAI9501100-100	VBA	9.500	11.000	0.100	R89296
VRFI9501100-328	VRF	9.500	11.000	0.328	R89295
VTAI9501100-600	VTA	9.500	11.000	0.600	R89294
VRFI9691051-219	VRF	9.690	10.510	0.219	R00655
VRFI9751050-187	VRF	9.750	10.500	0.187	R00654
VBAI10001100-125	VBA	10.000	11.000	0.125	R57228
VRFI10001100-250	VRF	10.000	11.000	0.250	R57227
VTAI10001100-500	VTA	10.000	11.000	0.500	R52234
VPKI10001100-121	VPK	10.000	11.000	1.219	RZ8412
VPKI10001100-200	VPK	10.000	11.000	2.000	
VBAI10001125-000	VBA	10.000	11.250	0.000	R54533
VRFI10001125-281	VRF	10.000	11.250	0.281	R54535
VTAI10001125-500	VTA	10.000	11.250	0.500	R54534
VRFI10001150-328	VRF	10.000	11.500	0.328	R57223
VTAI10001150-328	VTA	10.000	11.500	0.328	R57224
VBAI10001150-328	VBA	10.000	11.500	0.328	R57225
VTAI10001150-562	VTA	10.000	11.500	0.562	R86903
VRFI10501100-125	VRF	10.500	11.000	0.125	R01409
VBAI10501100-125	VBA	10.500	11.000	0.125	R01441
VTAI10501100-250	VTA	10.500	11.000	0.250	R01479
VTAI10501150-406	VTA	10.500	11.500	0.406	R86832
VBAI10501150-062	VBA	10.500	11.500	0.062	R86833
VRFI10501200-375	VRF	10.500	12.000	0.375	R89256



PART N°	PROFILE	HOUSING DIMENSIONS			REFERENCE N°
		Ød	ØD	L1	
VBAI10501200-375	VBA	10.500	12.000	0.375	R89257
VTAI10501200-562	VTA	10.500	12.000	0.562	R89255
VBAI10621162-062	VBA	10.625	11.625	0.062	R86050
VTAI10621162-406	VTA	10.625	11.625	0.406	R86049
VBAI10751200-062	VBA	10.750	12.000	0.062	R88860
VRFI10751200-281	VRF	10.750	12.000	0.281	R88855
VTAI10751200-500	VTA	10.750	12.000	0.500	R88856
VBAI11001200-125	VBA	11.000	12.000	0.125	R01442
VRFI11001200-250	VRF	11.000	12.000	0.250	R01410
VTAI11001200-500	VTA	11.000	12.000	0.500	R01480
VPKI11001220-131	VPK	11.000	12.250	1.312	R88622
VPKI11001225-200	VPK	11.000	12.250	2.000	RZ6421
VRFI12001300-250	VRF	12.000	13.000	0.250	R57215
VRFI12001350-375	VRF	12.000	13.500	0.375	R00658
VRFI12501375-313	VRF	0.500	13.750	0.313	R00659
VPKI13501470-200	VPK	13.500	14.750	2.000	R85592
VPKI13501475-200	VPK	13.500	14.750	2.000	RZ6422
VBAI13501500-125	VBA	13.500	15.000	0.125	R00936
VRFI13501500-375	VRF	0.500	15.000	0.375	R00660
VTAI13501500-750	VTA	13.500	15.000	0.750	R00784
VRFI14751575-235	VRF	14.750	15.750	0.235	R56193
VRFI14751600-281	VRF	14.750	16.000	0.281	R88862
VBAI14751600-281	VBA	14.750	16.000	0.281	R88863
VTAI14751600-281	VTA	14.750	16.000	0.281	R88864
VPKI16001725-200	VPK	16.000	17.250	2.000	RZ6423
VTAI16001775-687	VTA	16.000	17.750	0.687	R88883
VRFI16501775-281	VRF	16.500	17.750	0.281	R55836
VRFI16501800-328	VRF	16.500	18.000	0.328	R88984
VTAI16501800-328	VTA	16.500	18.000	0.328	R88985
VBAI16501800-328	VBA	16.500	18.000	0.328	R88986
VRFI17001800-250	VRF	17.000	18.000	0.250	R00661
VTAI17001800-440	VTA	17.000	18.000	0.440	
VBAI17001850-062	VBA	17.000	18.500	0.062	R55209
VRFI17001850-328	VRF	17.000	18.500	0.328	R62040
VTAI17001850-562	VTA	17.000	18.500	0.562	R55210
VBAI17001900-157	VBA	17.000	19.000	0.157	R55211
VTAI17001900-157	VTA	17.000	19.000	0.157	R55212
VRFI17001900-406	VRF	17.000	19.000	0.406	R62042
VRFI18002000-375	VRF	18.000	20.000	0.500	R00662
VRFI18001950-375	VRF	18.000	19.500	0.375	R00663
VPKI20002150-287	VPK	20.000	21.500	2.875	
VPKI20502250-412	VPK	20.500	22.500	4.125	RZM257
VBAI25252675-125	VBA	25.250	26.750	0.125	R00937
VRFI25252675-375	VRF	25.250	26.750	0.375	R00664
VTAI25252675-750	VTA	25.250	26.750	0.750	R00785

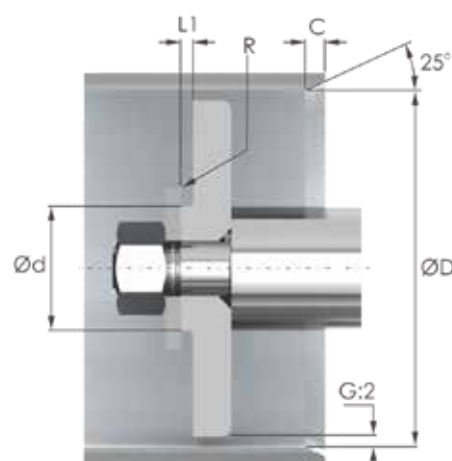


PISTON SEALS
SINGLE ACTING

CRF



CUP



TECHNICAL SPECIFICATIONS

SPECIFIED TOLERANCES		
ØD	Ød	L1
Js11	h9	+0.0 (+ 0.000) +0.15 (+ 0.005)

MAXIMUM OPERATING CONDITIONS		
Temp °C	Pressure	Speed
- 30° to + 100° C	170 bar (2500 psi)	0.5 m/sec (1.5 ft/sec)

SURFACE FINISH	
DYNAMIC SEALING SURFACE	0.8 µm Ra
STATIC SEALING SURFACE	0.8 to 1.6 µm Ra
STATIC HOUSING FACE	1.4 to 3.2 µm Ra

MAXIMUM EXTRUSION GAP v PRESSURE			
G mm	Bar	G inches	p.s.i
0.50	50	0.02	750
0.45	100	0.018	1500
0.43	150	0.017	2250
0.40	170	0.016	3000

RADII AND CHAMFER			
ØD mm	50	75	150
R mm	1.58	2.36	3.17
C mm	4.75	5.5	6.35
ØD inches	2.000	3.000	6.000
R inches	0.062	0.093	0.125
C inches	0.187	0.217	0.250

DESIGN

- Medium Duty Piston Cup
- Fabric Reinforced Nitrile for a combination of strength, durability and sealing performance.
- Used traditionally on rams or plungers in both hydraulic and pneumatic applications.

MATERIAL

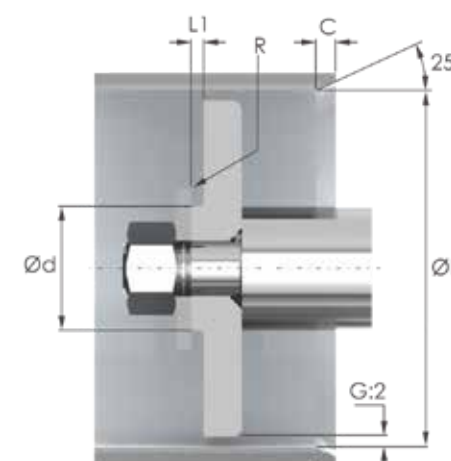
- 90A Nitrile Rubber - Precision Moulded

APPLICATION

- Hydraulic and Pneumatic applications.
- Medium Duty rams or plungers.
- Used on wide tolerance bores.
- Inside diameter can be easily adjusted to suit different spigots.

FLUIDS

- Hydraulic fluids, petroleum fuels and oils



TECHNICAL SPECIFICATIONS

SPECIFIED TOLERANCES		
ØD	Ød	L1
Js11	h9	+0.0 (+ 0.000) +0.15 (+ 0.005)

MAXIMUM OPERATING CONDITIONS		
Temp °C	Pressure	Speed
- 30° to + 100° C	40 bar (600 psi)	0.5 m/sec (1.5 ft/sec)

SURFACE FINISH	
DYNAMIC SEALING SURFACE	0.8 µm Ra
STATIC SEALING SURFACE	0.8 to 1.6 µm Ra
STATIC HOUSING FACE	1.4 to 3.2 µm Ra

MAXIMUM EXTRUSION GAP v PRESSURE			
G mm	Bar	G inches	p.s.i
0.50	40	0.020	600

RADII AND CHAMFER			
ØD mm	50	75	150
R mm	1.58	2.36	3.17
C mm	4.75	5.5	6.35
ØD inches	2.000	3.000	6.000
R inches	0.062	0.093	0.125
C inches	0.187	0.217	0.250

DESIGN

- Low Pressure Piston Cup
- Nitrile Rubber for a combination of strength, durability and sealing performance.
- Used traditionally on rams or plungers in both hydraulic and pneumatic applications.

MATERIAL

- 80A Nitrile Rubber - Precision Moulded

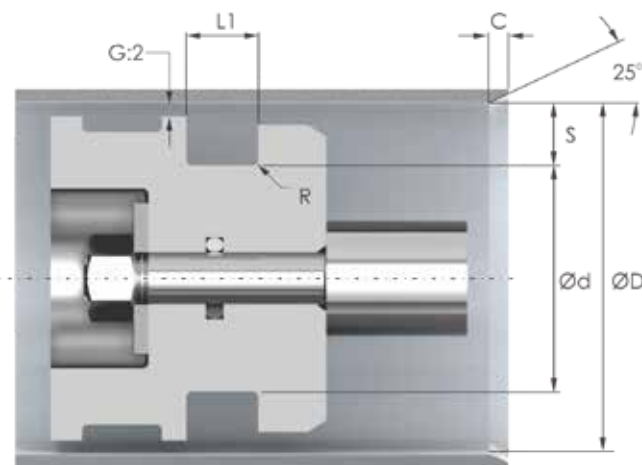
APPLICATION

- Hydraulic and Pneumatic applications.
- Medium Duty rams or plungers.
- Used on wide tolerance bores.
- Inside diameter can be easily adjusted to suit different spigots.

FLUIDS

- Hydraulic fluids, petroleum fuels and oils

DEU



TECHNICAL SPECIFICATIONS

SPECIFIED TOLERANCES		
ØD	Ød	L1
Js11	h9	+0.2 (+ 0.008) +0.4 (+ 0.016)

MAXIMUM OPERATING CONDITIONS		
Temp °C	Pressure	Speed
- 30° to + 105° C	150 bar (2175 psi)	0.5 m/sec (1.5 ft/sec)

SURFACE FINISH	
DYNAMIC SEALING SURFACE	0.1 to 0.4 µm Ra
STATIC SEALING SURFACE	0.8 to 1.6 µm Ra
STATIC HOUSING FACE	1.4 to 3.2 µm Ra

MAXIMUM EXTRUSION GAP v PRESSURE			
G mm	Bar	G inches	p.s.i
0.60	150	0.024	2175
0.40	250	0.016	3625
0.30	40	0.012	5800

RADII AND CHAMFER						
S mm	4.00	5.00	7.50	10.00	12.50	15.00
R mm	0.20	0.40	0.80	0.80	1.20	1.60
C mm	3.20	4.00	6.00	8.00	10.00	12.00
S inches	0.125	0.187	0.250	0.312	0.375	0.500
R inches	0.008	0.016	0.032	0.032	0.048	0.062
C inches	0.100	0.150	0.200	0.250	0.300	0.400

DESIGN

- Single acting piston seal.
- Deep groove ensures low friction and linear movement at low pressures.

MATERIAL

- Nitrile rubber seal.

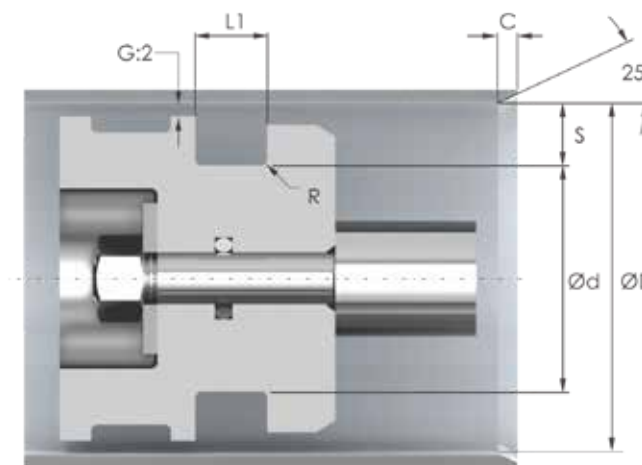
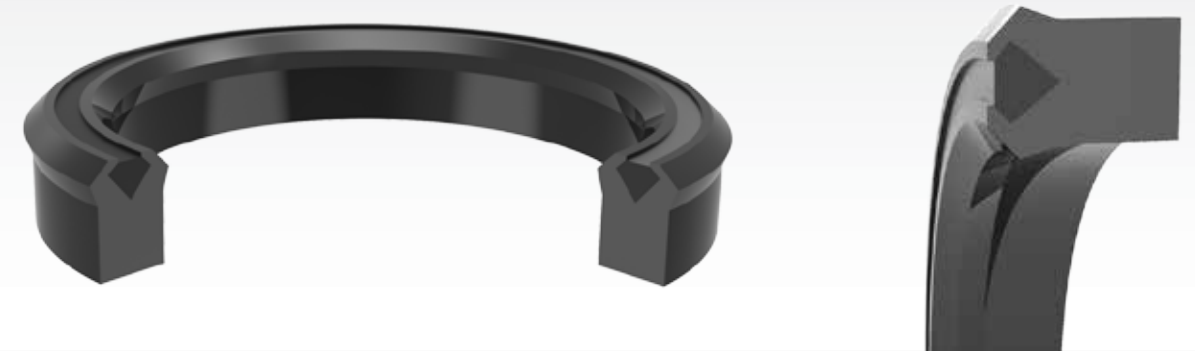
APPLICATION

- Used in pneumatic and light duty hydraulic applications.

FLUIDS

- Hydraulic fluids, petroleum fuels and oils

EUP



TECHNICAL SPECIFICATIONS

SPECIFIED TOLERANCES		
ØD	Ød	L1
Js11	h9	+0.2 (+ 0.008) +0.4 (+ 0.016)

MAXIMUM OPERATING CONDITIONS		
Temp °C	Pressure	Speed
- 30° to + 100° C	400 bar (6000 psi)	0.5 m/sec (1.5 ft/sec)

SURFACE FINISH	
DYNAMIC SEALING SURFACE	0.1 to 0.4 µm Ra
STATIC SEALING SURFACE	0.8 to 1.6 µm Ra
STATIC HOUSING FACE	1.4 to 3.2 µm Ra

MAXIMUM EXTRUSION GAP v PRESSURE			
G mm	Bar	G inches	p.s.i
0.50	50	0.020	750
0.40	100	0.016	1500
0.30	150	0.012	2250
0.15	200	0.006	3000
0.10	300	0.004	4500
0.05	400	0.002	6000

RADII AND CHAMFER						
S mm	4.00	5.00	7.50	10.00	12.50	15.00
R mm	0.20	0.40	0.80	0.80	1.20	1.60
C mm	3.20	4.00	6.00	8.00	10.00	12.00
S inches	0.125	0.187	0.250	0.312	0.375	0.500
R inches	0.008	0.016	0.032	0.032	0.048	0.062
C inches	0.100	0.150	0.200	0.250	0.300	0.400

DESIGN

- Single acting rod or piston seal with energising ring.
- Suitable for low pressure sealing.

MATERIAL

- PU93A Polyurethane with low compression set, high modulus of elasticity and excellent resistance to abrasion.
- NBR energiser ring.

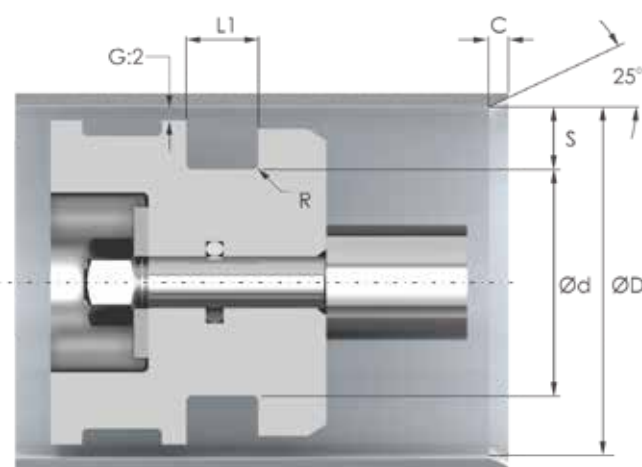
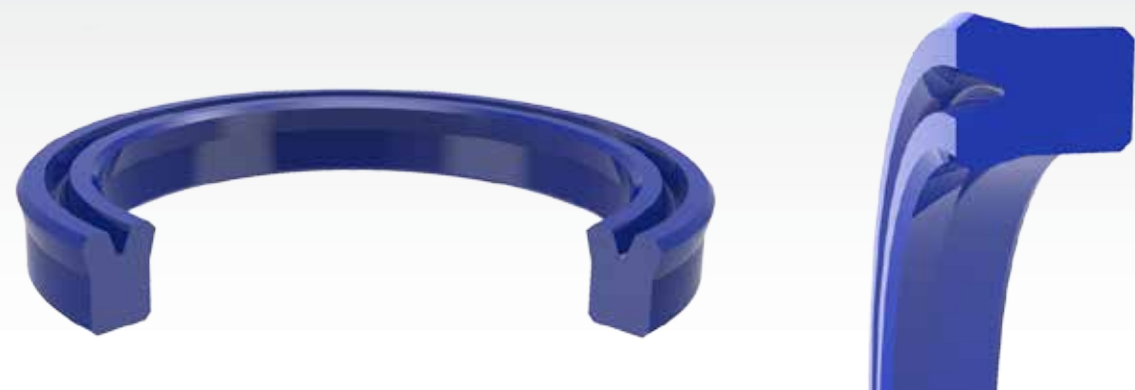
APPLICATION

- Single acting rod or piston seal.

FLUIDS

- Hydraulic fluids, petroleum fuels and oils

GUP



TECHNICAL SPECIFICATIONS

SPECIFIED TOLERANCES		
ØD	Ød	L1
Js11	h9	+0.2 (+ 0.008) +0.4 (+ 0.016)

MAXIMUM OPERATING CONDITIONS		
Temp °C	Pressure	Speed
- 35° to + 110° C	400 bar (6000 psi)	0.5 m/sec (1.5 ft/sec)

SURFACE FINISH	
DYNAMIC SEALING SURFACE	0.1 to 0.4 µm Ra
STATIC SEALING SURFACE	0.8 to 1.6 µm Ra
STATIC HOUSING FACE	1.4 to 3.2 µm Ra

MAXIMUM EXTRUSION GAP v PRESSURE			
G mm	Bar	G inches	p.s.i
0.50	50	0.020	750
0.40	100	0.016	1500
0.30	150	0.012	2250
0.15	200	0.006	3000
0.10	300	0.004	4500
0.05	400	0.002	6000

RADII AND CHAMFER						
S mm	4.00	5.00	7.50	10.00	12.50	15.00
R mm	0.20	0.40	0.80	0.80	1.20	1.60
C mm	3.20	4.00	6.00	8.00	10.00	12.00
S inches	0.125	0.187	0.250	0.312	0.375	0.500
R inches	0.008	0.016	0.032	0.032	0.048	0.062
C inches	0.100	0.150	0.200	0.250	0.300	0.400

DESIGN

- Symmetrical lips permit use in both rod and piston applications.
- Deep groove ensures low friction and linear movement at low pressures.

MATERIAL

- PU93A Polyurethane with low compression set, high modulus of elasticity and excellent resistance to abrasion.

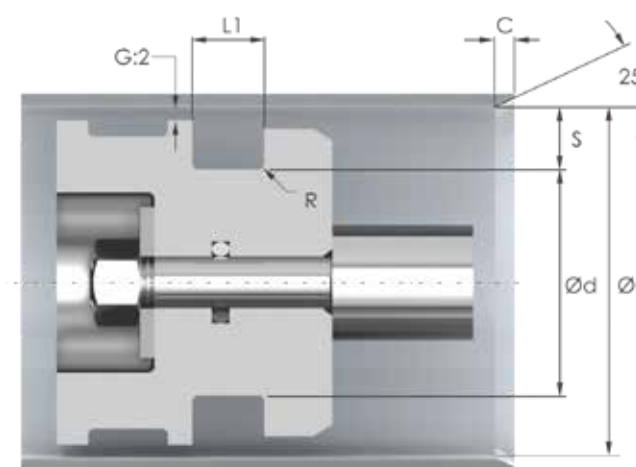
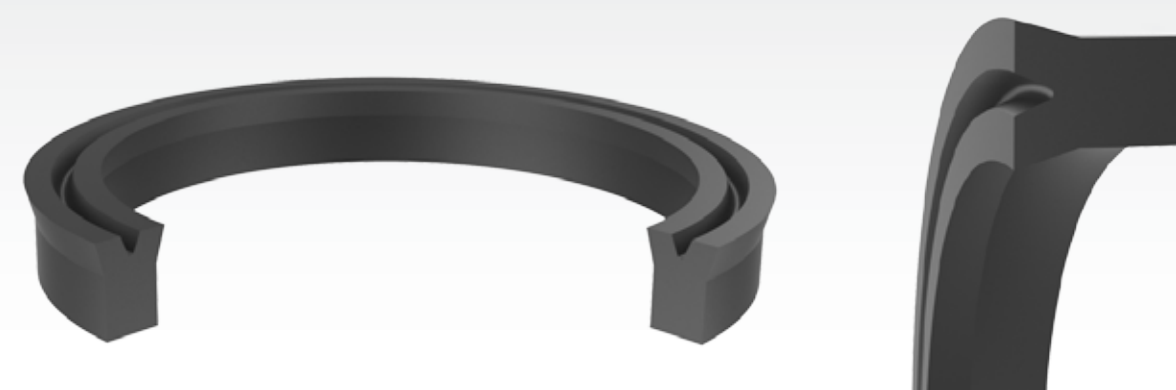
APPLICATION

- Single acting rod or piston seal.

FLUIDS

- Hydraulic fluids, petroleum fuels and oils

GUR



TECHNICAL SPECIFICATIONS

SPECIFIED TOLERANCES		
ØD	Ød	L1
Js11	h9	+0.2 (+ 0.008) +0.4 (+ 0.016)

MAXIMUM OPERATING CONDITIONS		
Temp °C	Pressure	Speed
- 30° to + 100° C	150 bar (4500 psi)	4.0 m/sec (12.0 ft/sec)

SURFACE FINISH	
DYNAMIC SEALING SURFACE	0.1 to 0.4 µm Ra
STATIC SEALING SURFACE	0.8 to 1.6 µm Ra
STATIC HOUSING FACE	1.4 to 3.2 µm Ra

MAXIMUM EXTRUSION GAP v PRESSURE			
G mm	Bar	G inches	p.s.i
0.60	100	0.024	1500
0.50	150	0.020	2400
0.45	250	0.018	3750
0.40	300	0.016	4500

RADII AND CHAMFER						
S mm	4.00	5.00	7.50	10.00	12.50	15.00
R mm	0.20	0.40	0.80	0.80	1.20	1.60
C mm	3.20	4.00	6.00	8.00	10.00	12.00
S inches	0.125	0.187	0.250	0.312	0.375	0.500
R inches	0.008	0.016	0.032	0.032	0.048	0.062
C inches	0.100	0.150	0.200	0.250	0.300	0.400

DESIGN

- Single acting rod and piston seal with symmetrical lips.
- Easy assembly into closed groove.

MATERIAL

- NBR 90A Duro - precision moulded.

APPLICATION

- General purpose light to medium duty hydraulic rod seal.

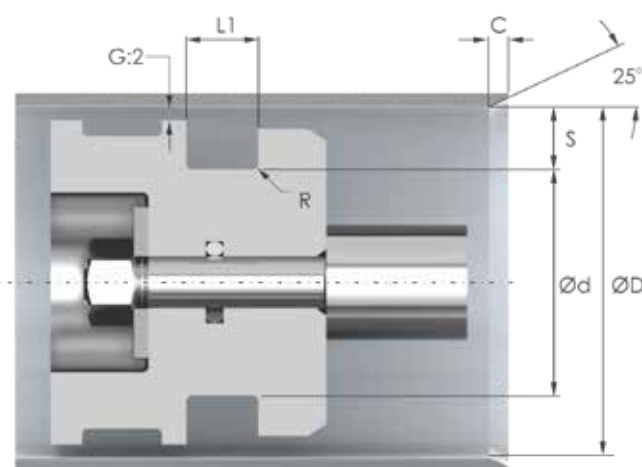
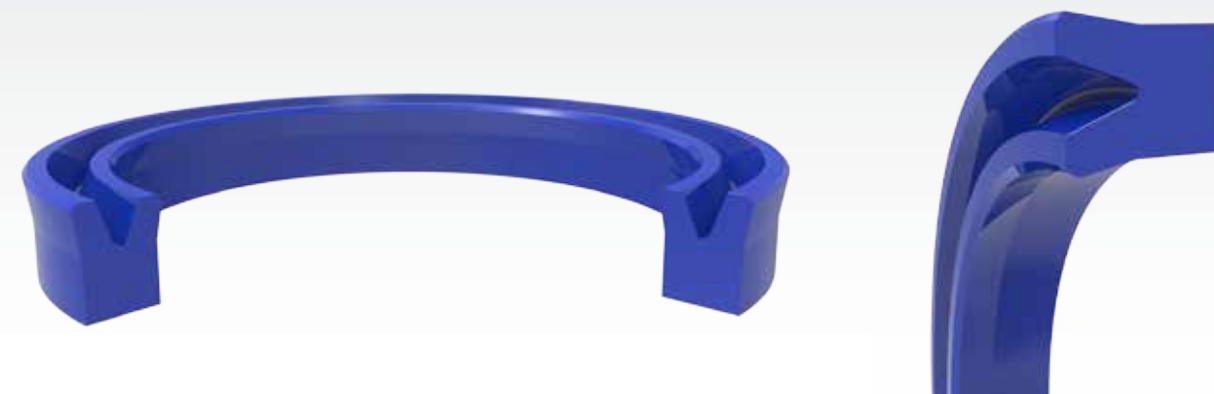
FLUIDS

- Hydraulic fluids, petroleum fuels and oils

MDW



PUP



TECHNICAL SPECIFICATIONS

SPECIFIED TOLERANCES		
ØD	Ød	L1
Js11	h9	+0.2 (+0.008) +0.4 (+0.016)

MAXIMUM OPERATING CONDITIONS		
Temp °C	Pressure	Speed
-30° to +105° C	500 bar (7250 psi)	0.5 m/sec (1.5 ft/sec)

SURFACE FINISH	
DYNAMIC SEALING SURFACE	0.1 to 0.4 µm Ra
STATIC SEALING SURFACE	0.8 to 1.6 µm Ra
STATIC HOUSING FACE	1.4 to 3.2 µm Ra

MAXIMUM EXTRUSION GAP v PRESSURE			
G mm	Bar	G inches	p.s.i
0.60	100	0.024	1500
0.50	150	0.020	2400
0.45	250	0.018	3750
0.40	300	0.016	4500

RADII AND CHAMFER						
S mm	4.00	5.00	7.50	10.00	12.50	15.00
R mm	0.20	0.40	0.80	0.80	1.20	1.60
C mm	3.20	4.00	6.00	8.00	10.00	12.00
S inches	0.125	0.187	0.250	0.312	0.375	0.500
R inches	0.008	0.016	0.032	0.032	0.048	0.062
C inches	0.100	0.150	0.200	0.250	0.300	0.400

DESIGN

- Three piece single acting sealing set.
- Design ideal in worn cylinders with poor surface integrity.
- Design is able to sustain very high pressures.
- Maintains positive sealing force at low pressures.

MATERIAL

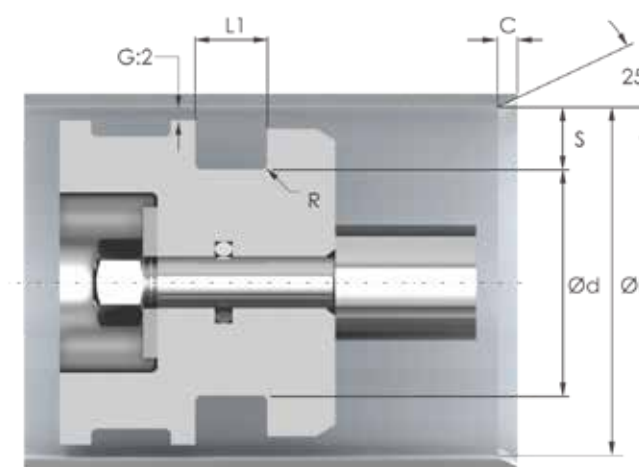
- Main seal consists of a nitrile impregnated fabric top and nitrile bottom.
- Acetal L shaped wear ring.
- Acetal retaining ring.

APPLICATION

- Used in worn cylinders with degraded sealing surfaces.
- Commonly used in mining equipment and mobile hydraulics.

FLUIDS

- Hydraulic fluids, petroleum fuels and oils



TECHNICAL SPECIFICATIONS

SPECIFIED TOLERANCES		
ØD	Ød	L1
Js11	h9	+0.2 (+0.008) +0.4 (+0.016)

MAXIMUM OPERATING CONDITIONS		
Temp °C	Pressure	Speed
-35° to +110° C	400 bar (6000 psi)	0.5 m/sec (1.5 ft/sec)

SURFACE FINISH	
DYNAMIC SEALING SURFACE	0.1 to 0.4 µm Ra
STATIC SEALING SURFACE	0.8 to 1.6 µm Ra
STATIC HOUSING FACE	1.4 to 3.2 µm Ra

MAXIMUM EXTRUSION GAP v PRESSURE			
G mm	Bar	G inches	p.s.i
0.50	50	0.020	750
0.40	100	0.016	1500
0.30	150	0.012	2250
0.15	200	0.006	3000
0.10	300	0.004	4500
0.05	400	0.002	6000

RADII AND CHAMFER						
S mm	4.00	5.00	7.50	10.00	12.50	15.00
R mm	0.20	0.40	0.80	0.80	1.20	1.60
C mm	3.20	4.00	6.00	8.00	10.00	12.00
S inches	0.125	0.187	0.250	0.312	0.375	0.500
R inches	0.008	0.016	0.032	0.032	0.048	0.062
C inches	0.100	0.150	0.200	0.250	0.300	0.400

DESIGN

- Single acting piston seal.

MATERIAL

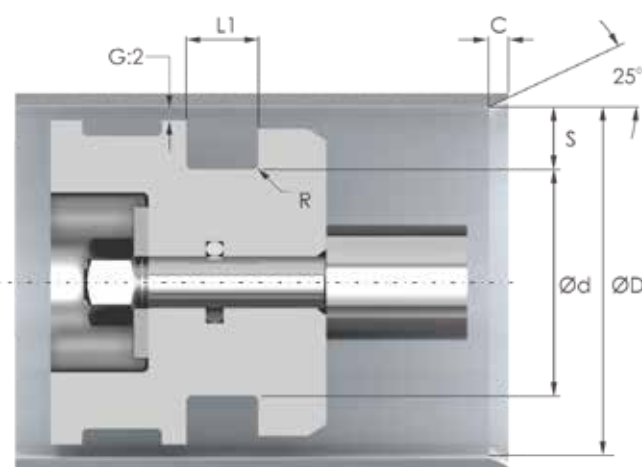
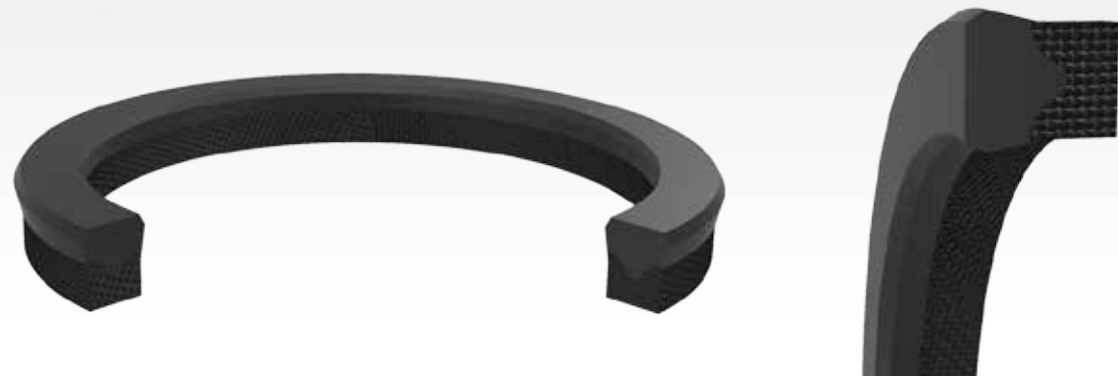
- PU93A Polyurethane with low compression set, high modulus of elasticity and excellent resistance to abrasion.

APPLICATION

- Used in single acting or back to back in double acting applications.
- Ideal in case of bore misalignment.

FLUIDS

- Hydraulic fluids, petroleum fuels and oils



TECHNICAL SPECIFICATIONS

SPECIFIED TOLERANCES		
ØD	Ød	L1
Js11	h9	+0.2 (+ 0.008) +0.4 (+ 0.016)

MAXIMUM OPERATING CONDITIONS		
Temp °C	Pressure	Speed
- 30° to + 100° C	400 bar (6000 psi)	0.5 m/sec (1.5 ft/sec)

SURFACE FINISH	
DYNAMIC SEALING SURFACE	0.1 to 0.4 µm Ra
STATIC SEALING SURFACE	0.8 to 1.6 µm Ra
STATIC HOUSING FACE	1.4 to 3.2 µm Ra

MAXIMUM EXTRUSION GAP v PRESSURE			
G mm	Bar	G inches	p.s.i
0.50	50	0.020	750
0.40	100	0.016	1500
0.30	150	0.012	2250
0.15	200	0.006	3000
0.10	300	0.004	4500
0.05	400	0.002	6000

RADII AND CHAMFER						
S mm	4.00	5.00	7.50	10.00	12.50	15.00
R mm	0.20	0.40	0.80	0.80	1.20	1.60
C mm	3.20	4.00	6.00	8.00	10.00	12.00
S inches	0.125	0.187	0.250	0.312	0.375	0.500
R inches	0.008	0.016	0.032	0.032	0.048	0.062
C inches	0.100	0.150	0.200	0.250	0.300	0.400

DESIGN

- Rubber fabric construction consists of a fabric reinforced base and tough nitrile sealing section.
- Suitable for low pressure sealing.

MATERIAL

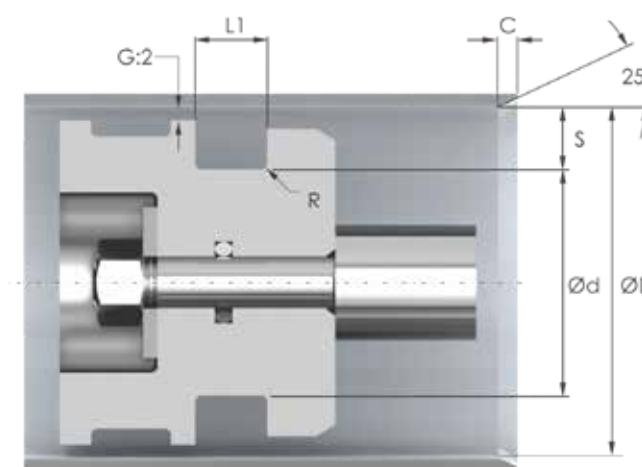
- NBR and NBR impregnated cotton fabric.

APPLICATION

- Single acting rod or piston seal.
- Suitable for heavy service conditions.

FLUIDS

- Hydraulic fluids, petroleum fuels and oils



TECHNICAL SPECIFICATIONS

SPECIFIED TOLERANCES		
ØD	Ød	L1
Js11	h9	+0.2 (+ 0.008) +0.4 (+ 0.016)

MAXIMUM OPERATING CONDITIONS		
Temp °C	Pressure	Speed
- 30° to + 100° C	100 bar (1500 psi)	0.5 m/sec (1.5 ft/sec)

SURFACE FINISH	
DYNAMIC SEALING SURFACE	0.1 to 0.4 µm Ra
STATIC SEALING SURFACE	0.8 to 1.6 µm Ra
STATIC HOUSING FACE	1.4 to 3.2 µm Ra

MAXIMUM EXTRUSION GAP v PRESSURE			
G mm	Bar	G inches	p.s.i
0.70	10	0.028	150
0.60	30	0.024	500
0.50	70	0.020	1000
0.40	100	0.016	1500

RADII AND CHAMFER						
S mm	4.00	5.00	7.50	10.00	12.50	15.00
R mm	0.20	0.40	0.80	0.80	1.20	1.60
C mm	3.20	4.00	6.00	8.00	10.00	12.00
S inches	0.125	0.187	0.250	0.312	0.375	0.500
R inches	0.008	0.016	0.032	0.032	0.048	0.062
C inches	0.100	0.150	0.200	0.250	0.300	0.400

DESIGN

- Single acting rod or piston seal.
- Symmetrical lips permit use in both rod and piston applications.
- Deep groove ensures low friction and linear movement at low pressures.

MATERIAL

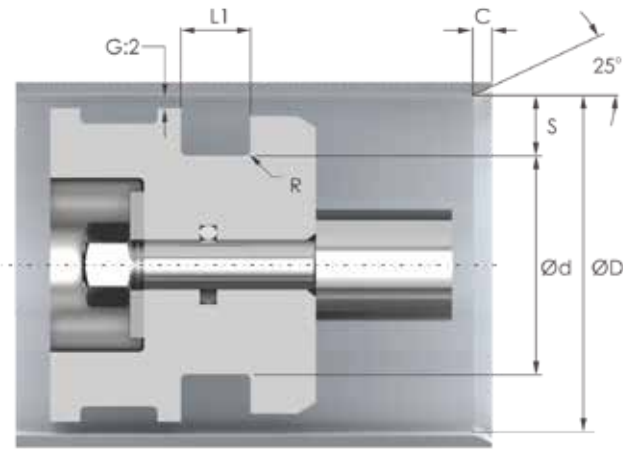
- Nitrile rubber seal.

APPLICATION

- Used in pneumatic and light duty hydraulic applications.

FLUIDS

- Hydraulic fluids, petroleum fuels and oils



TECHNICAL SPECIFICATIONS

SPECIFIED TOLERANCES		
ØD	Ød	L1
Js11	h9	+0.2 (+ 0.008) +0.4 (+ 0.016)

MAXIMUM OPERATING CONDITIONS		
Temp °C	Pressure	Speed
- 30° to + 100° C	400 bar (6000 psi)	0.5 m/sec (1.5 ft/sec)

SURFACE FINISH	
DYNAMIC SEALING SURFACE	0.1 to 0.4 µm Ra
STATIC SEALING SURFACE	0.8 to 1.6 µm Ra
STATIC HOUSING FACE	1.4 to 3.2 µm Ra

RADII AND CHAMFER						
S mm	4.00	5.00	7.50	10.00	12.50	15.00
R mm	0.20	0.40	0.80	0.80	1.20	1.60
C mm	3.20	4.00	6.00	8.00	10.00	12.00
S inches	0.125	0.187	0.250	0.312	0.375	0.500
R inches	0.008	0.016	0.032	0.032	0.048	0.062
C inches	0.100	0.150	0.200	0.250	0.300	0.400

DESIGN

- Single acting nitrile rubber piston seal.
- Contoured anti-extrusion ring.

MATERIAL

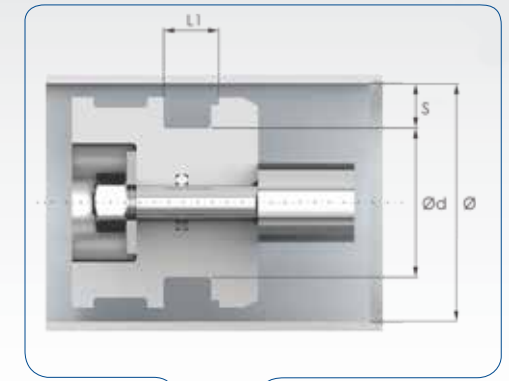
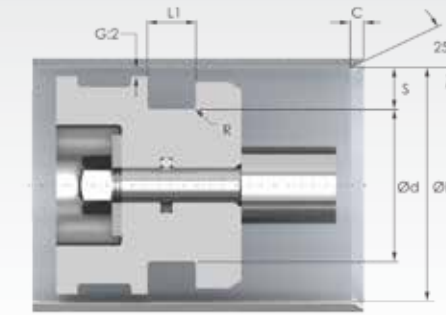
- Nitrile rubber seal.
- Nylon anti-extrusion ring.

APPLICATION

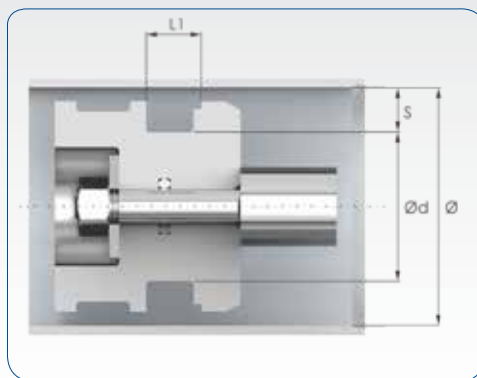
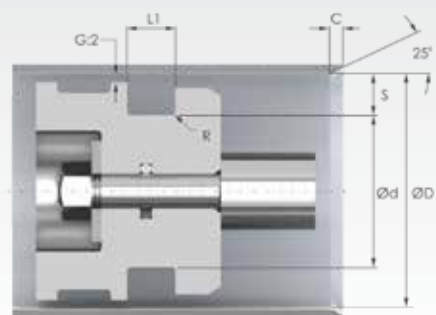
- Used for cylinders that are required to hold their position (driftless).
- Often used back on back on pistons.
- Common in Japanese and Asian construction machinery.

FLUIDS

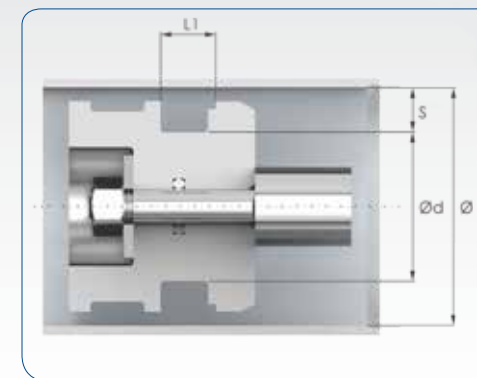
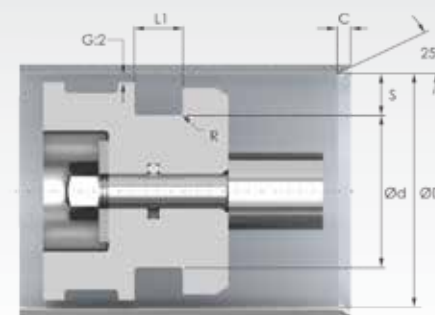
- Hydraulic fluids, petroleum fuels and oils



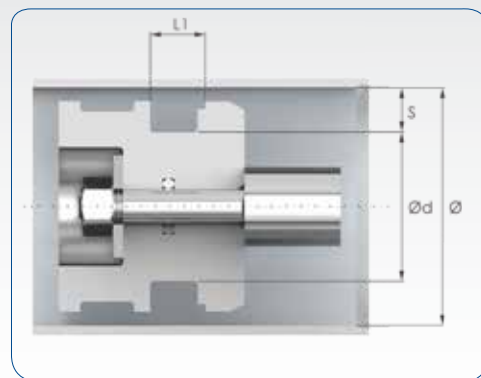
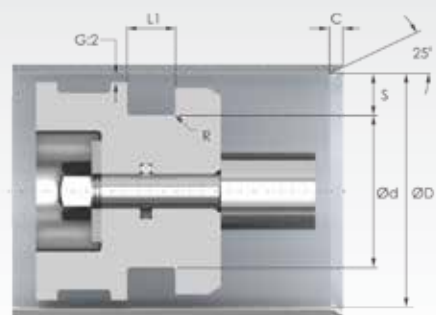
PART N°	PROFILE	HOUSING DIMENSIONS				STEP L	STEP D	REFERENCE N°	ALTERNATE REFERENCE
		ØD	Ød	SH	L1				
GUPM003008-035	GUP	8.00	3.00	3.50	4.00				
DEUM008004-025	DEU	8.00	4.00	2.50	3.00				
DEUM008004-025V	DEU	8.00	4.00	2.50	3.00				
GUPM003010-060	GUP	10.00	3.00	6.00	7.00				
GUPM004010-040	GUP	10.00	4.00	4.00	4.50			RF001A	
GUPM004010-060	GUP	10.00	4.00	6.00	7.00				
GUPM005010-040	GUP	10.00	5.00	4.00	4.50				
GUPM005010-050	GUP	10.00	5.00	5.00	6.00				
DEUM010006-025	DEU	10.00	6.00	2.50	3.00				
GUPM006010-030	GUP	10.00	6.00	3.00	3.50				
GUPM004011-050	GUP	11.00	4.50	5.00	6.00			RF002A	
GUPM005011-050	GUP	11.00	5.00	5.00	6.00				
GUPM005011-070	GUP	11.00	5.00	7.00	8.00				
GUPM004012-040	GUP	12.00	4.00	4.00	4.50				
GURM004012-040	GUR	12.00	4.00	4.00	4.50				
GUPM004012-055	GUP	12.00	4.00	5.50	6.50				
PUPM012040-040A	PUP	12.00	4.50	4.00	4.50				
GUPM005012-050	GUP	12.00	5.00	5.00	5.50			RF004A	
GURM005012-050	GUR	12.00	5.00	5.00	6.50				
GUPM005012-060	GUP	12.00	5.00	6.00	6.50			RF005A	
DEUM012006-040	DEU	12.00	6.00	4.00	4.50				
GUPM006012-040	GUP	12.00	6.00	4.00	4.50			RF006A	
GUPM006012-050	GUP	12.00	6.00	5.00	5.50				
GUPM006012-055	GUP	12.00	6.00	5.50	6.00			RF007A	
GUPM006012-060	GUP	12.00	6.00	6.00	6.50				
GUPM006012-070	GUP	12.00	6.00	7.00	8.00				
GUPM006012-080	GUP	12.00	6.00	8.00	9.00				
DEUM012007-025	DEU	12.00	7.00	2.50	3.00				
GUPM008012-040	GUP	12.00	8.00	4.00	4.50				
GUPM004012-045	GUP	12.50	4.50	4.50	5.00			RF003A	
GUPM006013-040	GUP	12.70	6.30	4.00	4.50				
GUPM005013-040	GUP	13.00	5.00	4.00	4.50				
GURM005013-040	GUR	13.00	5.00	4.00	4.50				
GUPM006013-055	GUP	13.00	6.00	5.50	6.50				
GUPM006013-080	GUP	13.00	6.00	8.00	9.00			RF2090	
GUPM007013-035	GUP	13.00	7.00	3.50	4.00				
PUPM013008-028A	PUP	13.80	8.60	2.80	3.30				
GUPM005014-080	GUP	14.00	5.00	8.00	9.00				
GUPM006014-040	GUP	14.00	6.00	4.00	4.50				
GURM006014-040	GUR	14.00	6.00	4.00	4.50				
PUPM014006-060	PUP	14.00	6.00	6.00	7.00				
GUPM006014-060	GUP	14.00	6.00	6.00	7.00				
PUPM014006-080	PUP	14.00	6.00	8.00	9.00				
GUPM007014-037	GUP	14.00	7.00	3.70	4.00				
GUPM007014-070	GUP	14.00	7.00	7.00	8.00				



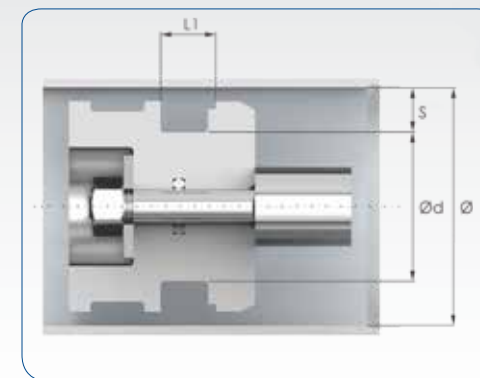
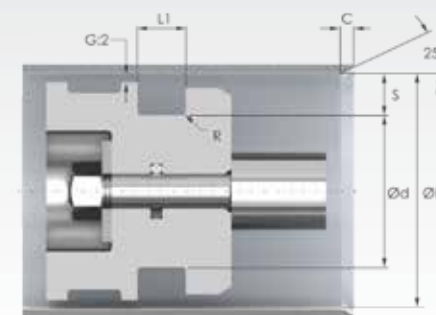
PART N°	PROFILE	HOUSING DIMENSIONS				STEP L	STEP D	REFERENCE N°	ALTERNATE REFERENCE
		ØD	Ød	SH	L1				
DEUM014008-025	DEU	14.00	8.00	2.50	3.00				
GUPM008014-040	GUP	14.00	8.00	4.00	4.50				
PUPM014008-045	PUP	14.00	8.00	4.50	5.00				
GUPM008014-060	GUP	14.00	8.00	6.00	7.00			RF010A	
GUPM006014-073A	GUP	14.30	6.30	7.30	8.00				
GUPM005015-050	GUP	15.00	5.00	5.00	5.50				
GURM005015-050	GUR	15.00	5.00	5.00	5.50				
GUPM006015-050	GUP	15.00	6.00	5.00	6.00				
GUPM007015-040	GUP	15.00	7.00	4.00	4.50				
GURM007015-040	GUR	15.00	7.00	4.00	4.50				
GUPM007015-050	GUP	15.00	7.00	5.00	6.00				
GUPM007015-070	GUP	15.00	7.00	7.00	8.00				
GUPM007015-073	GUP	15.00	7.00	7.30	8.00				
GUPM008015-050	GUP	15.00	8.00	5.00	6.00				
GUPM008015-057	GUP	15.00	8.00	5.70	6.30			RF011A	
GURM008015-060	GUR	15.00	8.00	6.00	7.50				
GUPM008015-080	GUP	15.00	8.00	8.00	9.00				
DEUM015009-025	DEU	15.00	9.00	2.55	3.00				
GUPM009015-040	GUP	15.00	9.00	4.00	4.50				
PUPM015009-080	PUP	15.00	9.00	8.00	9.00				
GUPM010015-040	GUP	15.00	10.00	4.00	4.50				
DEUM015011-027	DEU	15.00	11.00	2.70	3.00				
GUPM006016-050	GUP	16.00	6.00	5.00	5.50				
GURM006016-050	GUR	16.00	6.00	5.00	5.50				
GUPM006016-060	GUP	16.00	6.00	6.00	7.00				
PUPM016006-100	PUP	16.00	6.00	10.00	11.00				
GUPM008016-040	GUP	16.00	8.00	4.00	4.50				
GURM008016-040	GUR	16.00	8.00	4.00	4.50				
PUPM016008-055	PUP	16.00	8.00	5.50	6.50				
GUPM008016-057	GUP	16.00	8.00	5.70	6.30			RF012A	
GUPM008016-060	GUP	16.00	8.00	6.00	7.00				
GURM008016-060	GUR	16.00	8.00	6.00	7.50				
GUPM008016-080	GUP	16.00	8.00	8.00	9.00				
GUPM009016-040	GUP	16.00	9.00	4.00	4.50				
PUPM016009-055	PUP	16.00	9.00	5.50	6.50				
GUPM009016-070	GUP	16.00	9.00	7.00	8.00				
DEUM016010-025	DEU	16.00	10.00	2.50	3.00				
GUPM010016-040	GUP	16.00	10.00	4.00	4.50				
PUPM016010-040	PUP	16.00	10.00	4.00	4.50				
DEUM016010-040	DEU	16.00	10.00	4.00	5.50				
GUPM010016-045	GUP	16.00	10.00	4.50	5.00				
GUPM010016-050	GUP	16.00	10.00	5.00	6.00				
PUPM016010-055	PUP	16.00	10.00	5.50	6.50				
GUPM010016-060	GUP	16.00	10.00	6.00	7.00			RF015A	
PUPM016010-080	PUP	16.00	10.00	8.00	9.00				



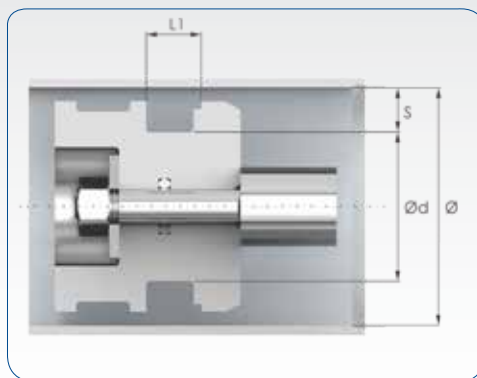
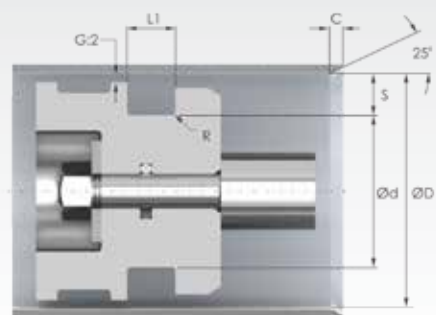
PART N°	PROFILE	HOUSING DIMENSIONS				STEP L	STEP D	REFERENCE N°	ALTERNATE REFERENCE
		ØD	Ød	SH	L1				
GUPM006016-080	GUP	16.30	6.30	8.00	9.00			RF008A	UN 6.3
GURM006017-060	GUR	17.00	6.00	6.00	7.50				
GUPM009017-055	GUP	17.00	9.00	5.50	6.50				
GUPM009017-060	GUP	17.00	9.00	6.00	7.00				
GUPM012017-030	GUP	17.00	12.00	3.00	3.50				
GUPM007017-080	GUP	17.10	7.10	8.00	9.00			RF009A	UN 7.1
GUPM011018-050	GUP	17.50	11.00	5.00	5.50				
GURM006018-080	GUR	18.00	6.00	6.00	9.50				
GUPM006018-080	GUP	18.00	6.00	8.00	9.00				
GUPM008018-050	GUP	18.00	8.00	5.00	5.50				
GURM008018-050	GUR	18.00	8.00	5.00	5.50				
GUPM008018-080	GUP	18.00	8.00	8.00	9.00			RF013A	UN 8
GUPM008018-090	GUP	18.00	8.00	9.00	10.00				
GUPM010018-040	GUP	18.00	10.00	4.00	4.50				
GURM010018-040	GUR	18.00	10.00	4.00	4.50				
GUPM010018-055	GUP	18.00	10.00	5.50	6.00			RF016A	
GUPM010018-057	GUP	18.00	10.00	5.70	6.30			RF2091	
GUPM010018-060	GUP	18.00	10.00	6.00	7.00			RF017A	
GUPM010018-080	GUP	18.00	10.00	8.00	9.00				
DEUM018012-025	DEU	18.00	12.00	2.50	3.00				
GUPM012018-040	GUP	18.00	12.00	4.00	4.50				
GUPM012018-044	GUP	18.00	12.00	4.40	5.00			RF2092	
GUPM012018-048	GUP	18.00	12.00	4.80	5.50			RF021A	
GUPM012018-050	GUP	18.00	12.00	5.00	6.00				
GUPM012018-060	GUP	18.00	12.00	6.00	7.00			RF023A	
GUPM009019-060	GUP	19.00	9.00	6.00	6.60				
GUPM009019-080	GUP	19.00	9.00	8.00	9.00			RF014A	UN 9
GUPM014019-037	GUP	19.00	14.00	3.70	4.00				
GUPM011019-050	GUP	19.20	11.20	5.00	5.70			RF019A	UHS 11.2
GUPM012019-070A	GUP	19.50	12.00	7.00	8.00				
GUPM006020-080	GUP	20.00	6.00	8.00	9.00				
GURM006020-080	GUR	20.00	6.00	8.00	9.50				
GUPM008020-060	GUP	20.00	8.00	6.00	6.60				
GURM008020-060	GUR	20.00	8.00	6.00	6.60				
GUPM010020-050	GUP	20.00	10.00	5.00	5.50				
GURM010020-050	GUR	20.00	10.00	5.00	5.50				
GURM010020-080H	GUR	20.00	10.00	8.00	9.00				
GUPM010020-080	GUP	20.00	10.00	8.00	9.00			RF018A	UN 10
GURM010020-080	GUR	20.00	10.00	8.00	9.50				
GUPM012020-040	GUP	20.00	12.00	4.00	4.50				
GUPM012020-044	GUP	20.00	12.00	4.40	5.00			RF2093	
GUPM012020-050	GUP	20.00	12.00	5.00	6.00				
PUPM020012-055	PUP	20.00	12.00	5.50	6.50				
GUPM012020-055	GUP	20.00	12.00	5.50	6.50				
DEUM020012-055	DEU	20.00	12.00	5.50	7.00				



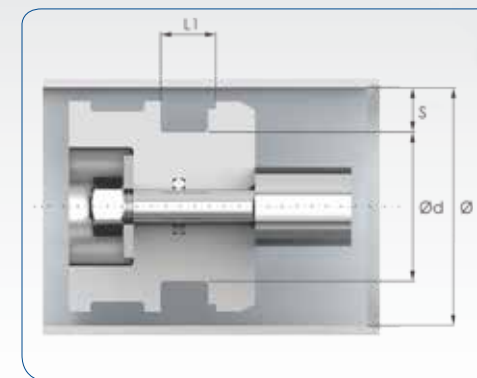
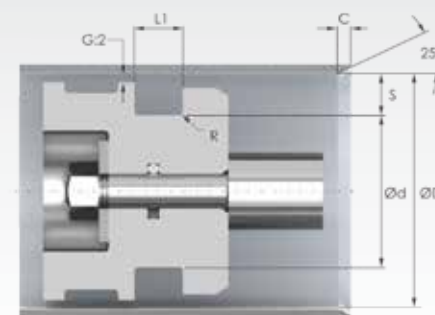
PART N°	PROFILE	HOUSING DIMENSIONS				STEP L	STEP D	REFERENCE N°	ALTERNATE REFERENCE
		ØD	Ød	SH	L1				
GUPM012020-070	GUP	20.00	12.00	7.00	8.00			RF025A	
GUPM012020-080	GUP	20.00	12.00	8.00	9.00				
GURM012520-050H	GUR	20.00	12.50	5.00	5.50				
GUPM013020-060	GUP	20.00	13.00	6.00	7.00				
GUPM013020-063	GUP	20.00	13.00	6.30	7.00				
DEUM020014-025	DEU	20.00	14.00	2.50	3.00				
GUPM014020-040	GUP	20.00	14.00	4.00	4.50				
PUPM020014-042	PUP	20.00	14.00	4.20	4.70				
GUPM014020-045	GUP	20.00	14.00	4.50	5.00				
GUPM014020-048	GUP	20.00	14.00	4.80	5.30			RF031A	
GUPM014020-050	GUP	20.00	14.00	5.00	6.00				
PUPM020014-055	PUP	20.00	14.00	5.50	6.50				
GUPM014020-060	GUP	20.00	14.00	6.00	7.00				
GUPM015020-030	GUP	20.00	15.00	3.00	3.50				
GUPM013021-060	GUP	21.00	13.00	6.00	6.60				
GUPM015021-035	GUP	21.00	15.00	3.50	4.00				
GUPM015021-050	GUP	21.00	15.00	5.00	5.50				
GUPM008022-080	GUP	22.00	8.00	8.00	9.00				
GUPM009022-085	GUP	22.00	9.00	8.50	9.50				
GUPM010022-060	GUP	22.00	10.00	6.00	7.00				
GURM010022-060	GUR	22.00	10.00	6.00	7.50				
PUPM022010-080	PUP	22.00	10.00	8.00	9.00				
GUPM010022-080	GUP	22.00	10.00	8.00	9.00				
GURM010022-080	GUR	22.00	10.00	8.00	9.50				
GUPM010022-090	GUP	22.00	10.00	9.00	10.00				
GUPM012022-050	GUP	22.00	12.00	5.00	5.50				
GURM012022-050	GUR	22.00	12.00	5.00	5.50				
GUPM012022-055	GUP	22.00	12.00	5.50	6.00			RF026A	
GUPM012022-060	GUP	22.00	12.00	6.00	7.00				
GUPM012022-070	GUP	22.00	12.00	7.00	8.00			RF027A	
GUPM012022-080/1	GUP	22.00	12.00	8.00	9.00			RF030A	UN 12.5
PUPM022013-070	PUP	22.00	13.00	7.00	8.00				
GUPM014022-040	GUP	22.00	14.00	4.00	4.50				
GURM014022-040	GUR	22.00	14.00	4.00	4.50				
GUPM014022-044	GUP	22.00	14.00	4.40	5.00			RF032A	
GUPM014022-050	GUP	22.00	14.00	5.00	5.70			RF033A	UHS 14
SRFM014022-065	SRF	22.00	14.00	6.00	6.50				
GUPM014022-060	GUP	22.00	14.00	6.00	7.00				
GUPM014022-080	GUP	22.00	14.00	8.00	9.00				
GUPM014022-110	GUP	22.00	14.00	11.00	12.00				
GUPM014022-120	GUP	22.00	14.00	12.00	13.00				
GUPM015022-055	GUP	22.00	15.00	5.50	6.50				
GUPM015022-080	GUP	22.00	15.00	8.00	9.00				
GUPM016022-030	GUP	22.00	16.00	3.00	3.50				
GUPM016022-040	GUP	22.00	16.00	4.00	4.50			RF038A	



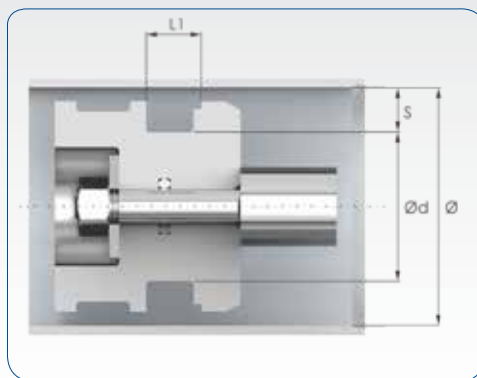
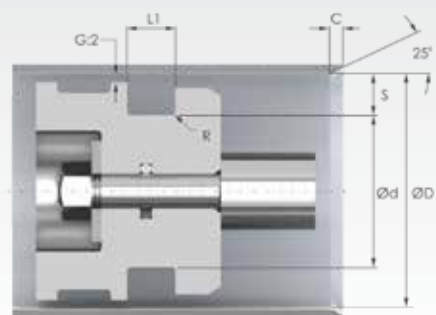
PART N°	PROFILE	HOUSING DIMENSIONS				STEP L	STEP D	REFERENCE N°	ALTERNATE REFERENCE
		ØD	Ød	SH	L1				
PUPM022016-040	PUP	22.00	16.00	4.00	4.50				
GUPM016022-050	GUP	22.00	16.00	5.00	6.00				
PUPM022016-055	PUP	22.00	16.00	5.50	6.50				
GUPM016022-060	GUP	22.00	16.00	6.00	7.00				
GURM016022-060	GUR	22.00	16.00	6.00	7.00				
GUPM016022-070	GUP	22.00	16.00	7.00	8.00				
GUPM016022-100	GUP	22.00	16.00	10.00	11.00				
GUPM012022-080/1	GUP	22.50	12.50	8.00	9.00			RF030A	UN 12.5
GUPM015023-060	GUP	23.00	15.00	6.00	6.60				
GUPM012024-060	GUP	24.00	12.00	6.00	6.60				
GURM012024-060	GUR	24.00	12.00	6.00	7.50				
GUPM012024-100	GUP	24.00	12.00	10.00	11.00				
GUPM013024-090	GUP	24.00	13.00	9.00	10.00				
GUPM014024-050	GUP	24.00	14.00	5.00	5.50				
GURM014024-050	GUR	24.00	14.00	5.00	5.50				
GUPM014024-060	GUP	24.00	14.00	6.00	7.00				
GUPM014024-080	GUP	24.00	14.00	8.00	9.00			RF036A	UN 14
GUPM016024-040	GUP	24.00	16.00	4.00	4.50				
GURM016024-040	GUR	24.00	16.00	4.00	4.50				
GUPM016024-050	GUP	24.00	16.00	5.00	5.70			RF040A	UHS 16
GUPM016024-060	GUP	24.00	16.00	6.00	7.00				
GUPM016024-090	GUP	24.00	16.00	9.00	10.00			RF042A	
DEUM024018-032	DEU	24.00	18.00	3.25	3.50				
GUPM018024-080	GUP	24.00	18.00	8.00	9.00				
GURM008025-060	GUR	25.00	8.00	6.00	7.50				
GUPM010025-075	GUP	25.00	10.00	7.50	8.30				
GUPM010025-100	GUP	25.00	10.00	10.00	11.00				
GURM010025-100	GUR	25.00	10.00	10.00	11.50				
GUPM012025-080	GUP	25.00	12.00	8.00	9.00			RF028A	
GUPM012025-090	GUP	25.00	12.00	9.00	10.00				
SRFM012025-100	SRF	25.00	12.00	10.00	10.50			RF2476	
GUPM012025-100	GUP	25.00	12.00	10.00	11.00			RF029A	
GUPM013025-060	GUP	25.00	13.00	6.00	6.60				
GUPM013025-080	GUP	25.00	13.00	8.00	9.00				
GUPM013025-090	GUP	25.00	13.00	9.00	10.00				
GUPM014025-055	GUP	25.00	14.00	5.50	6.00				
GUPM015025-050	GUP	25.00	15.00	5.00	5.50				
GURM015025-050	GUR	25.00	15.00	5.00	5.50				
PUPM025015-050	PUP	25.00	15.00	5.00	6.00				
GUPM015025-080	GUP	25.00	15.00	8.00	9.00			RF037A	UN 15
GURM015025-080	GUR	25.00	15.00	8.00	9.50				
GUPM015025-100	GUP	25.00	15.00	10.00	11.00				
GUPM016025-050	GUP	25.00	16.00	5.00	6.00				
GUPM016025-075	GUP	25.00	16.00	7.50	8.50				
GUPM017025-040	GUP	25.00	17.00	4.00	4.50				



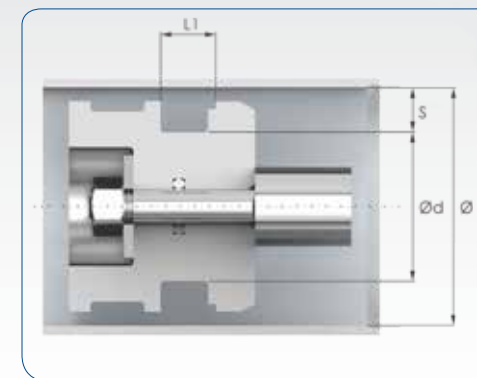
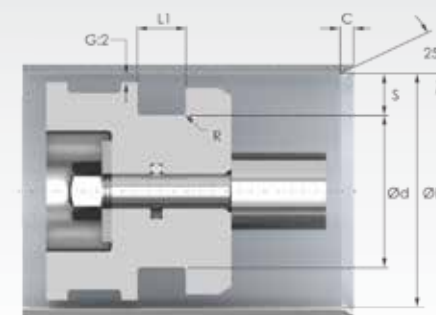
PART N°	PROFILE	HOUSING DIMENSIONS				STEP L	STEP D	REFERENCE N°	ALTERNATE REFERENCE
		ØD	Ød	SH	L1				
PUPM025017-055	PUP	25.00	17.00	5.50	6.50				
DEUM025017-055	DEU	25.00	17.00	5.50	7.00				
PUPM025017-057	PUP	25.00	17.00	5.70	6.30		RF2751		
GUPM017025-065	GUP	25.00	17.00	6.50	7.50				
GUPM018025-050	GUP	25.00	18.00	5.00	5.50				
PUPM025019-030	PUP	25.00	19.00	3.00	3.50				
DEUM025019-032	DEU	25.00	19.00	3.25	3.50				
GUPM019025-035	GUP	25.00	19.00	3.50	4.00				
GUPM019025-060	GUP	25.00	19.00	6.00	6.60				
PUPM025019-060	PUP	25.00	19.00	6.00	7.00				
GUPM020025-030	GUP	25.00	20.00	3.00	3.50				
GUPM020025-035	GUP	25.00	20.00	3.50	4.00				
GUPM020025-050	GUP	25.00	20.00	5.00	6.00				
GUPM010026-080	GUP	26.00	10.00	8.00	9.00				
GUPM010026-095	GUP	26.00	10.00	9.50	10.50				
GUPM012026-100	GUP	26.00	12.00	10.00	11.00				
GUPM014026-060	GUP	26.00	14.00	6.00	6.60				
GUPM014026-080	GUP	26.00	14.00	8.00	9.00				
GUPM014026-090	GUP	26.00	14.00	9.00	10.00				
GUPM016026-050	GUP	26.00	16.00	5.00	5.50				
GURM016026-050	GUR	26.00	16.00	5.00	5.50				
GUPM016026-060	GUP	26.00	16.00	6.00	7.00				
GUPM016026-080	GUP	26.00	16.00	8.00	9.00		RF044A	UN 16	
GUPM018026-040	GUP	26.00	18.00	4.00	4.50				
GURM018026-040	GUR	26.00	18.00	4.00	4.50				
GUPM018026-050	GUP	26.00	18.00	5.00	5.70		RF046A	UHS 18	
PUPM026018-055	PUP	26.00	18.00	5.50	6.50				
GUPM018026-060	GUP	26.00	18.00	6.00	6.60				
GUPM018026-065	GUP	26.00	18.00	6.50	7.50		RF048A		
PUPM026018-070	PUP	26.00	18.00	7.00	8.00				
GUPM018026-070	GUP	26.00	18.00	7.00	8.00				
GUPM018026-080	GUP	26.00	18.00	8.00	9.00				
GUPM018026-085	GUP	26.00	18.00	8.50	9.50				
GUPM020026-050	GUP	26.00	20.00	5.00	6.00				
GURM015027-060	GUR	27.00	15.00	6.00	6.50				
GUPM015027-060	GUP	27.00	15.00	6.00	6.60				
GUPM017027-075	GUP	27.00	17.00	7.50	8.50				
GUPM019027-040	GUP	27.00	19.00	4.00	4.50				
GUPM020027-050	GUP	27.00	20.00	5.00	6.00				
GUPM020027-060	GUP	27.00	20.00	6.00	7.00				
GUPM010028-100	GUP	28.00	10.00	10.00	11.00				
GUPM012028-100	GUP	28.00	12.00	10.00	11.00				
GURM012028-100	GUR	28.00	12.00	10.00	11.50				
GUPM014028-070	GUP	28.00	14.00	7.00	8.00				
GUPM014028-100	GUP	28.00	14.00	10.00	11.00				



PART N°	PROFILE	HOUSING DIMENSIONS				STEP L	STEP D	REFERENCE N°	ALTERNATE REFERENCE
		ØD	Ød	SH	L1				
GURM014028-100	GUR	28.00	14.00	10.00	11.50				
GUPM015028-080	GUP	28.00	15.00	8.00	9.00				
GUPM015028-100	GUP	28.00	15.00	10.00	11.00				
GURM015028-100	GUR	28.00	15.00	10.00	11.50				
GUPM016028-050	GUP	28.00	16.00	5.00	6.00				
GUPM016028-060	GUP	28.00	16.00	6.00	6.60				
GURM016028-060	GUR	28.00	16.00	6.00	6.60				
PUPM028016-090	PUP	28.00	16.00	9.00	10.00				
GUPM016028-090	GUP	28.00	16.00	9.00	10.00				
GUPM018028-050	GUP	28.00	18.00	5.00	5.50				
GURM018028-050	GUR	28.00	18.00	5.00	5.50				
GUPM018028-060	GUP	28.00	18.00	6.00	7.00				
GURM018028-060	GUR	28.00	18.00	6.00	7.50				
DEUM028018-070	DEU	28.00	18.00	7.00	7.50				
GUPM018028-070	GUP	28.00	18.00	7.00	8.00		RF049A	UN 18	
GUPM018028-080	GUP	28.00	18.00	8.00	9.00				
GURM020028-040	GUR	28.00	20.00	4.00	4.40				
GUPM020028-040	GUP	28.00	20.00	4.00	4.50				
GUPM020028-044	GUP	28.00	20.00	4.40	5.00		RF052A		
GURM020028-050	GUR	28.00	20.00	5.00	5.70				
GUPM020028-050	GUP	28.00	20.00	5.00	5.70		RF053A	UHS 20	
GUPM020028-057	GUP	28.00	20.00	5.70	6.30		RF2098		
GUPM020028-058	GUP	28.00	20.00	5.80	6.80				
GUPM020028-060	GUP	28.00	20.00	6.00	6.60				
GUPM020028-080	GUP	28.00	20.00	8.00	9.00		RF056A		
GUPM022028-080	GUP	28.00	22.00	8.00	9.00				
GUPM016029-060	GUP	29.00	16.00	6.00	7.00				
GURM010030-100	GUR	30.00	10.00	10.00	11.50				
GURM013030-100	GUR	30.00	13.00	10.00	11.50				
GUPM015030-060	GUP	30.00	15.00	6.00	7.00				
GUPM015030-075	GUP	30.00	15.00	7.50	8.30				
GUPM015030-080	GUP	30.00	15.00	8.00	9.00				
GURM015030-080	GUR	30.00	15.00	8.00	9.50				
PUPM030015-100	PUP	30.00	15.00	10.00	11.00				
GUPM015030-100	GUP	30.00	15.00	10.00	11.00				
GURM015030-100	GUR	30.00	15.00	10.00	11.50				
GUPM018030-050	GUP	30.00	18.00	5.00	6.00				
GUPM018030-060	GUP	30.00	18.00	6.00	6.60				
GURM018030-060	GUR	30.00	18.00	6.00	6.60				
GUPM018030-075	GUP	30.00	18.00	7.50	8.50				
GUPM018030-085	GUP	30.00	18.00	8.50	9.50				
GUPM018030-090	GUP	30.00	18.00	9.00	10.00				
GUPM018030-100	GUP	30.00	18.00	10.00	11.00				
GURM018030-100	GUR	30.00	18.00	10.00	11.50				
GUPM020030-050	GUP	30.00	20.00	5.00	5.50				



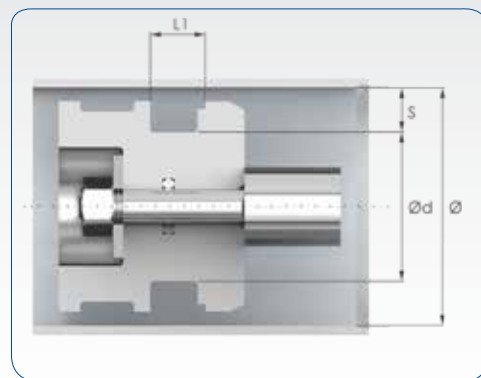
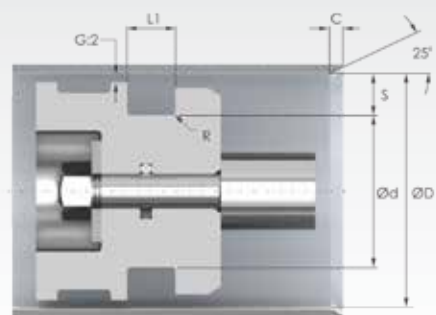
PART N°	PROFILE	HOUSING DIMENSIONS				STEP L	STEP D	REFERENCE N°	ALTERNATE REFERENCE
		ØD	Ød	SH	L1				
GURM020030-050	GUR	30.00	20.00	5.00	5.50				
GUPM020030-060	GUP	30.00	20.00	6.00	7.00				
PUPM030020-070	PUP	30.00	20.00	7.00	8.00				
GUPM020030-080	GUP	30.00	20.00	8.00	9.00		RF058A	UN 20	
GUPM020030-100	GUP	30.00	20.00	10.00	11.00		RF059A		
GUPM021030-063	GUP	30.00	20.50	6.30	7.00				
GUPM022030-040	GUP	30.00	22.00	4.00	4.50				
GURM022030-040	GUR	30.00	22.00	4.00	4.50				
GUPM022030-044	GUP	30.00	22.00	4.40	5.00		RF2099		
GURM022030-050H	GUR	30.00	22.00	5.00	6.00				
GUPM022030-050	GUP	30.00	22.00	5.00	6.00		RF065A	UHS22.4	
GUPM022030-057	GUP	30.00	22.00	5.70	6.30		RF2100		
SRFM022030-060	SRF	30.00	22.00	6.00	6.50		RF2481		
GUPM022030-060	GUP	30.00	22.00	6.00	7.00		RF067A		
PUPM030022-060	PUP	30.00	22.00	6.00	7.00				
GUPM022030-065	GUP	30.00	22.00	6.50	7.50				
GUPM022030-100	GUP	30.00	22.00	10.00	11.00				
GUPM022030-050A	GUP	30.00	22.40	5.00	5.70				
GURM024030-040	GUR	30.00	24.00	4.00	4.70				
GUPM024030-040	GUP	30.00	24.00	4.00	5.00		RF2101		
GUPM023031-050	GUP	31.50	23.50	5.00	5.70		RF074A	UHS23.5	
GURM023031-050H	GUR	31.50	23.50	5.00	6.00				
GUPM012032-100	GUP	32.00	12.00	10.00	11.00				
GUPM014032-070	GUP	32.00	14.00	7.00	8.00				
GUPM014032-080	GUP	32.00	14.00	8.00	9.00				
GURM014032-100	GUR	32.00	14.00	10.00	11.50				
GUPM016032-090	GUP	32.00	16.00	9.00	10.00				
GURM016032-100	GUR	32.00	16.00	10.00	11.00				
GUPM017032-100	GUP	32.00	17.00	10.00	11.00				
GUPM020032-050	GUP	32.00	20.00	5.00	6.00				
GURM020032-060	GUR	32.00	20.00	6.00	6.60				
GUPM020032-060	GUP	32.00	20.00	6.00	7.00				
GUPM020032-075	GUP	32.00	20.00	7.50	8.50		RF061A		
GUPM020032-110	GUP	32.00	20.00	11.00	12.00				
GUPM022032-050	GUP	32.00	22.00	5.00	5.50				
GURM022032-050	GUR	32.00	22.00	5.00	5.50				
PUPM032022-050	PUP	32.00	22.00	5.00	6.00				
SRFM022032-060	SRF	32.00	22.00	6.00	6.50		RF2484		
GUPM022032-060	GUP	32.00	22.00	6.00	7.00				
GURM022032-060	GUR	32.00	22.00	6.00	7.00				
PUPM032022-070	PUP	32.00	22.00	7.00	8.00				
GUPM022032-070	GUP	32.00	22.00	7.00	8.00				
GUPM022032-080	GUP	32.00	22.00	8.00	9.00		RF069A		
GUPM022032-100	GUP	32.00	22.00	10.00	11.00		RF070A		
DEUM032024-032	DEU	32.00	24.00	3.25	3.50				



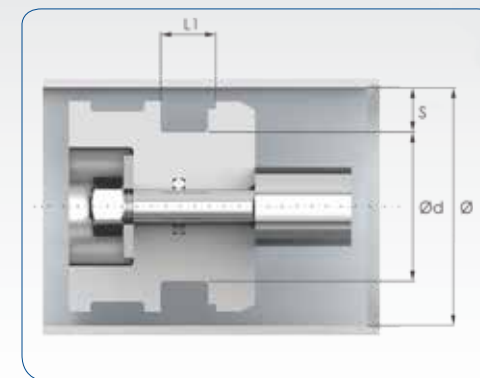
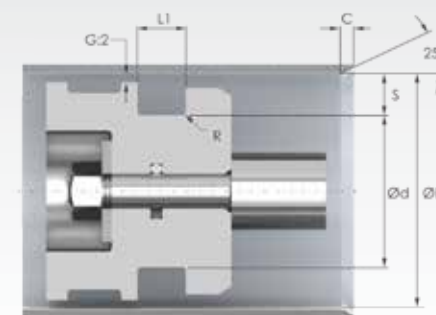
PART N°	PROFILE	HOUSING DIMENSIONS				STEP L	STEP D	REFERENCE N°	ALTERNATE REFERENCE
		ØD	Ød	SH	L1				
GUPM024032-040	GUP	32.00	24.00	4.00	4.50				
GUPM024032-045	GUP	32.00	24.00	4.50	5.00				
PUPM032024-055	PUP	32.00	24.00	5.50	6.50				
DEUM032024-055	DEU	32.00	24.00	5.50	7.00				
PUPM032024-057	PUP	32.00	24.00	5.70	6.30		RF2755		
GUPM024032-060	GUP	32.00	24.00	6.00	6.60				
GUPM024032-070	GUP	32.00	24.00	7.00	8.00		RF075A		
GUPM025032-040	GUP	32.00	25.00	4.00	4.50		RF2102		
GUPM025032-057	GUP	32.00	25.00	5.70	6.30		RF2103		
SRFM025032-057	SRF	32.00	25.00	5.70	6.30		RF2486		
GUPM025032-070	GUP	32.00	25.00	7.00	8.00				
GURM022032-080H	GUR	32.40	22.40	8.00	9.00				
GUPM022032-080/1	GUP	32.40	22.40	8.00	9.00		RF072A		
GUPM020033-100	GUP	33.00	20.00	10.00	11.00				
GURM020033-100	GUR	33.00	20.00	10.00	11.50				
GURM021033-060	GUR	33.00	21.00	6.00	6.60				
GUPM025033-040	GUP	33.00	25.00	4.00	4.50				
GURM025033-040	GUR	33.00	25.00	4.00	4.50				
GUPM025033-044	GUP	33.00	25.00	4.40	5.00		RF2104		
GURM025033-050	GUR	33.00	25.00	5.00	5.70				
GURM025033-050S	GUR	33.00	25.00	5.00	5.70				
GUPM025033-050	GUP	33.00	25.00	5.00	5.70		RF077A	UHS 25	
GUPM025033-057	GUP	33.00	25.00	5.70	6.30		RF2105		
GUPM025033-060	GUP	33.00	25.00	6.00	6.60				
GUPM025033-070	GUP	33.00	25.00	7.00	8.00				
GUPM025033-100	GUP	33.00	25.00	10.00	11.00				
GUPM018034-080	GUP	34.00	18.00	8.00	9.00				
GURM018034-080	GUR	34.00	18.00	8.00	9.50				
GUPM019034-080	GUP	34.00	19.00	8.00	9.00				
GUPM022034-060	GUP	34.00	22.00	6.00	6.60				
GURM022034-060	GUR	34.00	22.00	6.00	6.60				
GUPM022034-100	GUP	34.00	22.00	10.00	11.00				
GURM022034-100	GUR	34.00	22.00	10.00	11.50				
GUPM024034-050	GUP	34.00	24.00	5.00	5.50				
GURM024034-050	GUR	34.00	24.00	5.00	5.50				
GUPM026034-040	GUP	34.00	26.00	4.00	4.50				
GURM026034-040	GUR	34.00	26.00	4.00	4.50				
GURM012035-120	GUR	35.00	12.00	12.00	13.50				
GUPM015035-100	GUP	35.00	15.00	10.00	11.00				
GURM015035-100	GUR	35.00	15.00	10.00	11.50				
GUPM020035-075	GUP	35.00	20.00	7.50	8.30				
GURM020035-075	GUR	35.00	20.00	7.50	8.30				
GUPM020035-080	GUP	35.00	20.00	8.00	9.00		RF2862		
PUPM035020-100	PUP	35.00	20.00	10.00	11.00				
GUPM020035-100	GUP	35.00	20.00	10.00	11.00				

PISTON SEALS SINGLE ACTING METRIC

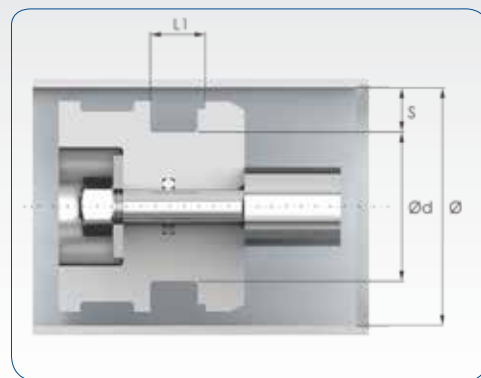
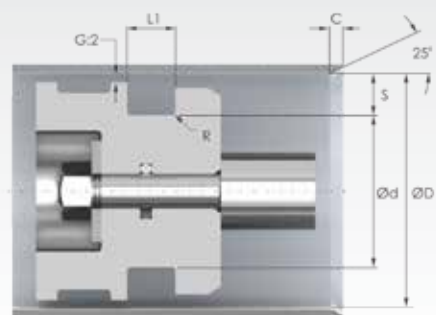
PISTON SEALS SINGLE ACTING METRIC



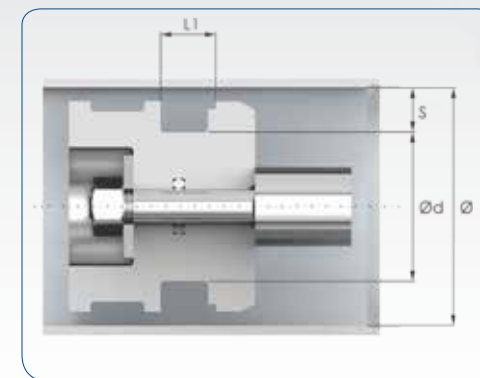
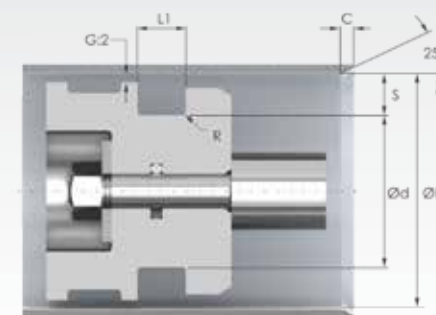
PART N°	PROFILE	HOUSING DIMENSIONS				STEP L	STEP D	REFERENCE N°	ALTERNATE REFERENCE
		ØD	Ød	SH	L1				
GURM020035-100	GUR	35.00	20.00	10.00	11.50				
GUPM020035-120	GUP	35.00	20.00	12.00	13.00			RF062A	
GUPM022035-100	GUP	35.00	22.00	10.00	11.00			RF073A	
GUPM023035-060	GUP	35.00	23.00	6.00	6.60				
GURM023035-060	GUR	35.00	23.00	6.00	6.60				
GUPM023035-090	GUP	35.00	23.00	9.00	10.00				
GURM024035-060	GUR	35.00	24.00	6.00	6.60				
GURM025035-040	GUR	35.00	25.00	4.00	4.50				
GURM025035-050	GUR	35.00	25.00	5.00	5.50				
GUPM025035-050	GUP	35.00	25.00	5.00	5.50			RF079A	
GUPM025035-060	GUP	35.00	25.00	6.00	7.00				
PUPM035025-065	PUP	35.00	25.00	6.50	7.50				
PUPM035025-070	PUP	35.00	25.00	7.00	8.00				
GUPM025035-070	GUP	35.00	25.00	7.00	8.00				
PUPM035025-073	PUP	35.00	25.00	7.30	8.00			RF2756	
GUPM025035-075	GUP	35.00	25.00	7.50	8.50				
PUPM035025-080	PUP	35.00	25.00	8.00	9.00				
GUPM025035-080	GUP	35.00	25.00	8.00	9.00			RF082A	UN 25
GUPM025035-100	GUP	35.00	25.00	10.00	11.00			RF083A	
GUPM026035-080	GUP	35.00	26.00	8.00	9.00				
DEUM035027-032	DEU	35.00	27.00	3.25	3.50				
GUPM027035-040	GUP	35.00	27.00	4.00	4.50				
GURM027035-040	GUR	35.00	27.00	4.00	4.50				
GUPM027035-060	GUP	35.00	27.00	6.00	7.00				
PUPM035027-100	PUP	35.00	27.00	10.00	11.00				
GUPM028035-050	GUP	35.00	28.00	5.00	5.50			RF086A	UHS 28
GUPM028035-060	GUP	35.00	28.00	6.00	7.00				
GUPM028035-050/1	GUP	35.50	28.00	5.00	5.70			RF086A	UHS 28
GURM016036-100	GUR	36.00	16.00	10.00	11.00				
GUPM020036-050	GUP	36.00	20.00	5.00	6.00				
GUPM020036-080	GUP	36.00	20.00	8.00	9.00				
GURM020036-080	GUR	36.00	20.00	8.00	9.50				
GUPM020036-100	GUP	36.00	20.00	10.00	11.00				
GUPM022036-100	GUP	36.00	22.00	10.00	11.00				
GUPM024036-060	GUP	36.00	24.00	6.00	6.60				
GURM024036-060	GUR	36.00	24.00	6.00	6.60				
PUPM036024-060	PUP	36.00	24.00	6.00	7.00				
GUPM025036-069	GUP	36.00	25.00	6.90	7.90				
GURM026036-050	GUR	36.00	26.00	5.00	5.50				
GUPM028036-040	GUP	36.00	28.00	4.00	4.50				
GUPM028036-050	GUP	36.00	28.00	5.00	6.00				
GURM028036-050	GUR	36.00	28.00	5.00	6.00				
GUPM028036-060	GUP	36.00	28.00	6.00	7.00				
GUPM028036-065	GUP	36.00	28.00	6.50	7.50			RF087A	
PUPM036028-070	PUP	36.00	28.00	7.00	8.00				



PART N°	PROFILE	HOUSING DIMENSIONS				STEP L	STEP D	REFERENCE N°	ALTERNATE REFERENCE
		ØD	Ød	SH	L1				
GUPM028036-070	GUP	36.00	28.00	7.00	8.00				
GUPM020037-120	GUP	37.00	20.00	12.00	13.00				
PUPM037021-118	PUP	37.00	21.00	11.80	13.00			RF2754	
GURM025037-060	GUR	37.00	25.00	6.00	6.60				
GUPM025037-070	GUP	37.00	25.00	7.00	8.00				
GUPM025037-090	GUP	37.00	25.00	9.00	10.00				
GURM029037-040	GUR	37.00	29.00	4.00	4.50				
SRFM030037-059	SRF	37.00	30.00	5.90	6.50			RF2492	
GUPM030037-060	GUP	37.00	30.00	6.00	7.00			RF987A	
GUPM030037-080	GUP	37.00	30.00	8.00	9.00				
GURM016038-080	GUR	38.00	16.00	8.00	9.00				
GURM017038-100	GUR	38.00	17.00	10.00	11.50				
GUPM018038-100	GUP	38.00	18.00	10.00	11.00				
GUPM022038-100	GUP	38.00	22.00	10.00	11.00				
GUPM025038-070	GUP	38.00	25.00	7.00	8.00				
GUPM025038-080	GUP	38.00	25.00	8.00	9.00			RF2106	
GUPM025038-090	GUP	38.00	25.00	9.00	10.00				
GUPM025038-095	GUP	38.00	25.00	9.50	10.50				
GUPM025038-100	GUP	38.00	25.00	10.00	11.00			RUP136	
GUPM026038-060	GUP	38.00	26.00	6.00	6.60				
GURM026038-060	GUR	38.00	26.00	6.00	6.60				
GUPM026038-100	GUP	38.00	26.00	10.00	11.00				
GUPM027038-060	GUP	38.00	27.00	6.00	7.00				
GUPM028038-050	GUP	38.00	28.00	5.00	5.50				
GURM028038-050	GUR	38.00	28.00	5.00	5.50				
GUPM028038-057	GUP	38.00	28.00	5.70	6.30			RF2108	
PUPM038028-070	PUP	38.00	28.00	7.00	8.00				
GUPM028038-073	GUP	38.00	28.00	7.30	8.00			RF2109	
GUPM028038-080	GUP	38.00	28.00	8.00	9.00			RF089A	
GUPM028038-100	GUP	38.00	28.00	10.00	11.00				
DEUM038030-032	DEU	38.00	30.00	3.25	3.50				
GUPM030038-040	GUP	38.00	30.00	4.00	4.50				
GURM030038-040	GUR	38.00	30.00	4.00	4.50				
GUPM030038-055	GUP	38.00	30.00	5.50	6.50				
GUPM030038-060	GUP	38.00	30.00	6.00	6.50			RF092A	
GUPM030038-080	GUP	38.00	30.00	8.00	9.00				
GUPM030038-100	GUP	38.00	30.00	10.00	11.00				
GUPM020039-100	GUP	39.00	20.00	10.00	11.00			RF063A	
GURM022039-100	GUR	39.00	22.00	10.00	11.50				
PUPM039032-050	PUP	39.00	32.00	5.00	6.00				
GURM018040-100	GUR	40.00	18.00	10.00	11.50				
GUPM020040-100	GUP	40.00	20.00	10.00	11.00			RF064A	
GURM020040-100	GUR	40.00	20.00	10.00	11.50				
GUPM020040-120	GUP	40.00	20.00	12.00	13.00				
GUPM022040-100	GUP	40.00	22.00	10.00	11.00			R85143	



PART N°	PROFILE	HOUSING DIMENSIONS				STEP L	STEP D	REFERENCE N°	ALTERNATE REFERENCE
		ØD	Ød	SH	L1				
GUPM022040-120	GUP	40.00	22.00	12.00	13.00				
GUPM024040-080	GUP	40.00	24.00	8.00	9.00			RF076A	
GURM025040-060	GUR	40.00	25.00	6.00	6.60				
GUPM025040-075	GUP	40.00	25.00	7.50	8.30				
GURM025040-075	GUR	40.00	25.00	7.50	8.30				
GUPM025040-100	GUP	40.00	25.00	10.00	11.00			RF084A	
GURM025040-100	GUR	40.00	25.00	10.00	11.50				
GUPM025040-110	GUP	40.00	25.00	11.00	12.00				
GUPM026040-090	GUP	40.00	26.00	8.00	10.00			RF2107	
MDWM040026-090R	MDW	40.00	26.00	9.00	9.40	6.35	35.40		
MDWM040026-094R	MDW	40.00	26.00	9.00	9.40				
GUPM028040-060	GUP	40.00	28.00	6.00	6.60				
GURM028040-060	GUR	40.00	28.00	6.00	6.60				
PUPM040028-090	PUP	40.00	28.00	9.00	10.00				
PUPM040028-100	PUP	40.00	28.00	10.00	11.00				
GURM028040-100H	GUR	40.00	28.00	10.00	11.00				
GUPM028040-100	GUP	40.00	28.00	10.00	11.00			RF090A	
GURM030040-050	GUR	40.00	30.00	5.00	5.50				
GUPM030040-050	GUP	40.00	30.00	5.00	5.50			RF093A	
PUPM040030-050	PUP	40.00	30.00	5.00	6.00				
GUPM030040-057	GUP	40.00	30.00	5.70	6.30			RF2110	
GURM030040-060H	GUR	40.00	30.00	6.00	7.00				
GUPM030040-060	GUP	40.00	30.00	6.00	7.00			RF094A	UHS 30
PUPM040030-060	PUP	40.00	30.00	6.00	7.00				
GUPM030040-070	GUP	40.00	30.00	7.00	8.00				
PUPM040030-070	PUP	40.00	30.00	7.00	8.00			R2758	
DEUM040030-070	DEU	40.00	30.00	7.00	8.50				
GUPM030040-075	GUP	40.00	30.00	7.50	8.50				
GUPM030040-080	GUP	40.00	30.00	8.00	9.00			RUP151	
GUPM030040-100	GUP	40.00	30.00	10.00	11.00			RF095A	
DEUM040032-032	DEU	40.00	32.00	3.25	3.50				
GUPM032040-040	GUP	40.00	32.00	4.00	4.50				
GURM032040-040	GUR	40.00	32.00	4.00	4.50				
GUPM032040-050	GUP	40.00	32.00	5.00	6.00				
GUPM032040-053	GUP	40.00	32.00	5.30	6.00			RF103A	
PUPM040032-055	PUP	40.00	32.00	5.50	6.50				
GUPM032040-060	GUP	40.00	32.00	6.00	6.60				
GUPM032040-100	GUP	40.00	32.00	10.00	11.00				
PUPM040033-080	PUP	40.00	33.00	8.00	9.00				
GURM028041-100	GUR	41.00	28.00	10.00	11.50				
GURM031041-060H	GUR	41.50	31.50	6.00	7.00				
GUPM031041-060	GUP	41.50	31.50	6.00	7.00			RF101A	UHS 31.5
GUPM022042-100	GUP	42.00	22.00	10.00	11.00				
GURM022042-100	GUR	42.00	22.00	10.00	11.00				
GURM025042-080	GUR	42.00	25.00	8.00	9.50				



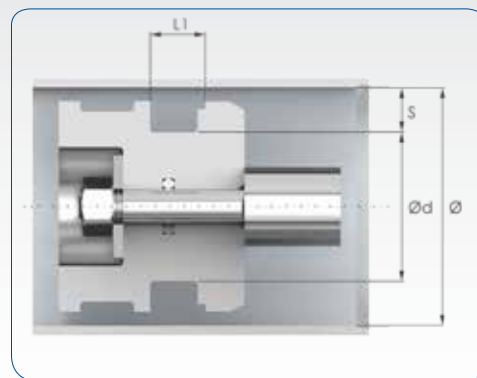
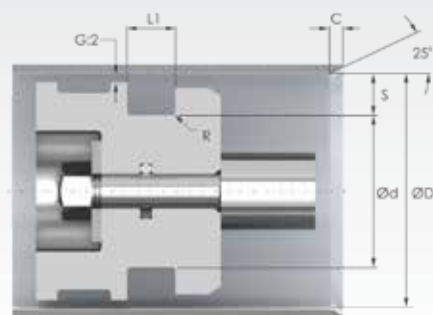
PART N°	PROFILE	HOUSING DIMENSIONS				STEP L	STEP D	REFERENCE N°	ALTERNATE REFERENCE
		ØD	Ød	SH	L1				
GUPM026042-080	GUP	42.00	26.00	8.00	9.00				
GUPM030042-060	GUP	42.00	30.00	6.00	6.60				
GUPM030042-090	GUP	42.00	30.00	9.00	10.00			RF097A	
GUPM030042-100	GUP	42.00	30.00	10.00	11.00			RF098A	
GURM030042-100	GUR	42.00	30.00	10.00	11.50				
GUPM032042-050	GUP	42.00	32.00	5.00	5.50				
GURM032042-050	GUR	42.00	32.00	5.00	5.50				
GUPM032042-058	GUP	42.00	32.00	5.80	6.30				
GUPM032042-060	GUP	42.00	32.00	6.00	7.00			R85933	
GUPM032042-073	GUP	42.00	32.00	7.30	8.00			RF2112	
GUPM032042-100	GUP	42.00	32.00	10.00	11.00			RF107A	
GUPM034042-060	GUP	42.00	34.00	6.00	6.60				
GURM020043-120	GUR	43.00	20.00	12.00	13.50				
GUPM028043-100	GUP	43.00	28.00	10.00	11.00			RF091A	UN 28
SRFM028043-105	SRF	43.00	28.00	10.50	11.00			R88828	
GUPM033043-050	GUP	43.00	33.00	5.00	5.50				
GUPM033043-100	GUP	43.00	33.00	10.00	11.00				
GUPM035043-060	GUP	43.00	35.00	6.00	6.60				
PUPM043035-090	PUP	43.00	35.00	9.00	10.00				
PUPM043038-038	PUP	43.00	38.00	3.80	4.30				
GUPM028044-080	GUP	44.00	28.00	8.00	9.00				
GUPM032044-060	GUP	44.00	32.00	6.00	6.60				
GURM032044-060	GUR	44.00	32.00	6.00	6.60				
GUPM032044-090	GUP	44.00	32.00	9.00	10.00				
GUPM034044-050	GUP	44.00	34.00	5.00	5.50				
GUPM025045-100	GUP	45.00	25.00	10.00	11.00				
GURM025045-100	GUR	45.00	25.00	10.00	11.50				
GUPM025045-120	GUP	45.00	25.00	12.00	13.00				
KYBM045027-121	KYB	45.00	27.00	10.00	11.00	2.00	38.00	RBE045	
DEUM045030-060	DEU	45.00	30.00	6.00	6.60				
GUPM030045-075	GUP	45.00	30.00	7.50	8.30				
MDWM045030-090R	MDW	45.00	30.00	9.00	9.50	6.35	40.40		
MDWM045030-095R	MDW	45.00	30.00	9.00	9.50				
GUPM030045-100	GUP	45.00	30.00	10.00	11.00			RF099A	UN 30
GURM030045-100	GUR	45.00	30.00	10.00	11.50				
GUPM030045-120	GUP	45.00	30.00	12.00	13.00				
GUPM032045-080	GUP	45.00	32.00	8.00	9.00				
GUPM032045-100	GUP	45.00	32.00	10.00	11.00			RF109A	
GURM032045-100	GUR	45.00	32.00	10.00	11.50				
GUPM033045-060	GUP	45.00	33.00	6.00	6.60				
GURM033045-060	GUR	45.00	33.00	6.00	6.60				
GUPM034045-090	GUP	45.00	34.00	9.00	10.00				
GUPM035045-050	GUP	45.00	35.00	5.00	5.50				
GURM035045-050	GUR	45.00	35.00	5.00	5.50				
GURM035045-060	GUR	45.00	35.00	6.00	6.60				

PISTON SEALS SINGLE ACTING METRIC

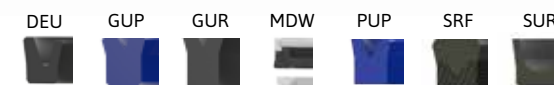
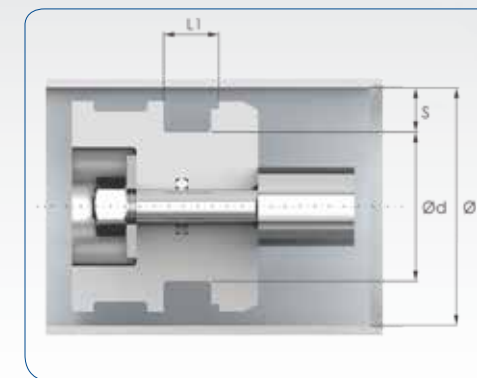
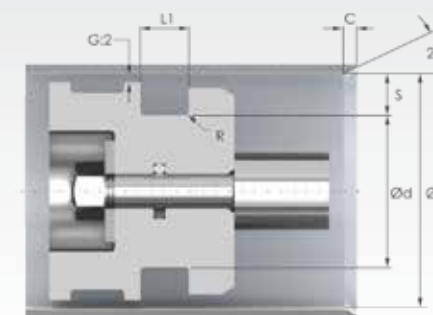
PISTON SEALS SINGLE ACTING METRIC

PISTON SEALS SINGLE ACTING METRIC

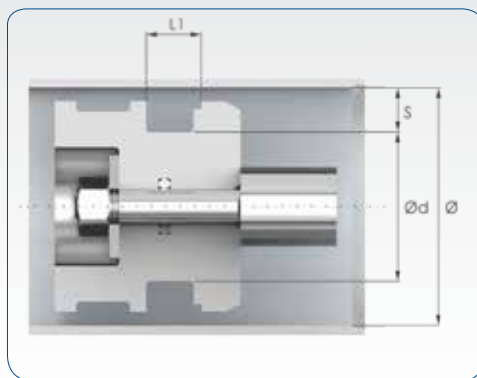
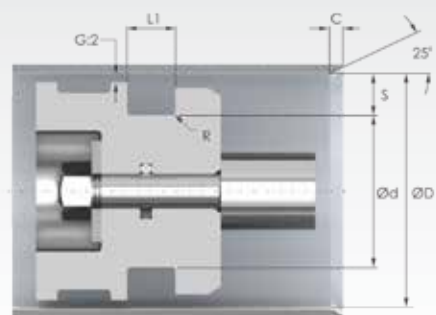
PISTON SEALS SINGLE ACTING METRIC



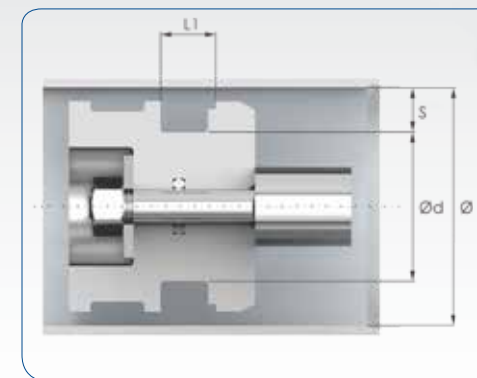
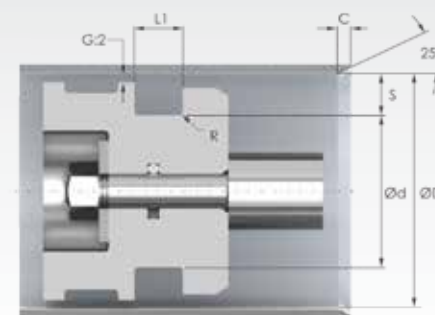
PART N°	PROFILE	HOUSING DIMENSIONS				STEP L	STEP D	REFERENCE N°	ALTERNATE REFERENCE
		ØD	Ød	SH	L1				
GUPM035045-060	GUP	45.00	35.00	6.00	7.00			RF112A	UHS 35
GUPM035045-070	GUP	45.00	35.00	7.00	8.00			RF1005	
GUPM035045-077	GUP	45.00	35.00	7.70	9.00			RF113A	
GUPM035045-080	GUP	45.00	35.00	8.00	9.00				
GUPM035045-100	GUP	45.00	35.00	10.00	11.00				
GUPM035045-060/1	GUP	45.00	35.50	6.00	7.00			RF121A	
DEUM045037-032	DEU	45.00	37.00	3.25	3.50				
GUPM037045-060	GUP	45.00	37.00	6.00	6.60				
PUPM045037-070	PUP	45.00	37.00	7.00	8.00				
GUPM038045-050	GUP	45.00	38.00	5.00	5.50				
GUPM038045-060	GUP	45.00	38.00	6.00	7.00				
PUPM045038-060	PUP	45.00	38.00	6.00	7.00				
GUPM038045-075	GUP	45.00	38.00	7.50	8.50				
GUPM035045-070/1	GUP	45.50	35.50	7.00	8.00				
GUPM022046-120	GUP	46.00	22.00	12.00	13.00				
GURM026046-100	GUR	46.00	26.00	10.00	11.50				
GUPM032046-100	GUP	46.00	32.00	10.00	11.00				
GUPM036046-050	GUP	46.00	36.00	5.00	5.50				
GURM036046-050	GUR	46.00	36.00	5.00	5.50				
GUPM036046-060	GUP	46.00	36.00	6.00	7.00				
GURM036046-060H	GUR	46.00	36.00	6.00	7.00				
GUPM036046-065	GUP	46.00	36.00	6.50	7.50				
GUPM036046-070	GUP	46.00	36.00	7.00	8.00				
GUPM036046-100	GUP	46.00	36.00	10.00	11.00				
GUPM038046-060	GUP	46.00	38.00	6.00	6.60				
GUPM031046-100	GUP	46.50	31.50	10.00	11.00			RF102A	UN 31.5
GUPM032047-100	GUP	47.00	32.00	10.00	11.00			RUP175	
GUPM035047-060	GUP	47.00	35.00	6.00	6.60				
GUPM028048-085	GUP	48.00	28.00	8.50	9.50				
GUPM028048-100	GUP	48.00	28.00	10.00	11.00				
GURM028048-100	GUR	48.00	28.00	10.00	11.00				
GUPM028048-120	GUP	48.00	28.00	12.00	13.00				
GUPM032048-100	GUP	48.00	32.00	10.00	11.00				
DEUM048034-120	DEU	48.00	34.00	11.00	12.00				
GUPM035048-080	GUP	48.00	35.00	8.00	9.00				
GUPM035048-100	GUP	48.00	35.00	10.00	11.00			RF116A	
GUPM036048-060	GUP	48.00	36.00	6.00	6.60				
GUPM036048-090	GUP	48.00	36.00	9.00	10.00			RF2115	
GUPM038048-050	GUP	48.00	38.00	5.00	5.50				
GURM038048-050	GUR	48.00	38.00	5.00	5.50				
GUPM038048-060	GUP	48.00	38.00	6.00	7.00			RF124A	UHS 38
GUPM040048-060	GUP	48.00	40.00	6.00	6.60				
GUPM040048-080	GUP	48.00	40.00	8.00	9.00				
SURM040048-080	SUR	48.00	40.00	8.00	9.50				
GUPM040048-110	GUP	48.00	40.00	11.00	12.00			RF128A	



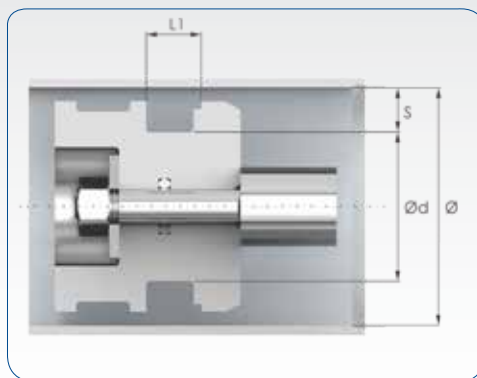
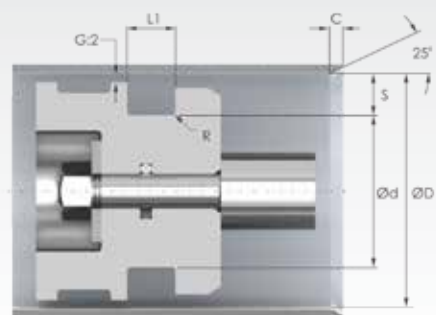
PART N°	PROFILE	HOUSING DIMENSIONS				STEP L	STEP D	REFERENCE N°	ALTERNATE REFERENCE
		ØD	Ød	SH	L1				
GUPM025050-120	GUP	50.00	25.00	12.00	13.00				
GURM025050-120	GUR	50.00	25.00	12.00	13.50				
GURM030050-100	GUR	50.00	30.00	10.00	11.00				
GUPM030050-100	GUP	50.00	30.00	10.00	11.00			RF100A	
GUPM030050-120	GUP	50.00	30.00	12.00	13.00				
MDWM050030-140R	MDW	50.00	30.00	14.00	14.50	6.35	44.30		
SRFM030050-140	SRF	50.00	30.00	14.00	14.50			RK117A	
MDWM050030-140R	MDW	50.00	30.00	14.00	14.50				
KYBM050032-121	KYB	50.00	32.00	10.00	11.00	2.00	43.00	RBE050	
GUPM032050-100	GUP	50.00	32.00	10.00	11.00				
GUPM032050-120	GUP	50.00	32.00	12.00	13.00				
GURM032050-120	GUR	50.00	32.00	12.00	13.50				
GUPM035050-075	GUP	50.00	35.00	7.50	8.30				
GURM035050-100	GUR	50.00	35.00	10.00	11.00				
SRFM035050-110	SRF	50.00	35.00	11.00	11.50			RF2496	
GUPM035050-100	GUP	50.00	35.50	10.00	11.00			RF2113	UN 35.5
GUPM036050-080	GUP	50.00	36.00	8.00	9.00				
GUPM038050-060	GUP	50.00	38.00	6.00	6.60				
GURM038050-060	GUR	50.00	38.00	6.00	6.60				
PUPM050038-060	PUP	50.00	38.00	6.00	7.00				
GUPM038050-090	GUP	50.00	38.00	9.00	10.00			RF125A	
GUPM038050-100	GUP	50.00	38.00	10.00	11.00				
GUPM038050-110	GUP	50.00	38.00	11.00	12.00				
GUPM040050-050	GUP	50.00	40.00	5.00	5.50				
GURM040050-050	GUR	50.00	40.00	5.00	5.50				
PUPM050040-050	PUP	50.00	40.00	5.00	6.00				
GURM040050-060	GUR	50.00	40.00	6.00	7.00				
GURM040050-060S	GUR	50.00	40.00	6.00	7.00				
GUPM040050-060	GUP	50.00	40.00	6.00	7.00			RF129A	UHS 40
PUPM050040-060	PUP	50.00	40.00	6.00	7.00				
DEUM050040-065S	DEU	50.00	40.00	6.50	7.00				
GUPM040050-065	GUP	50.00	40.00	6.50	7.50			RF130A	
GUPM040050-070	GUP	50.00	40.00	7.00	8.00				
PUPM050040-070	PUP	50.00	40.00	7.00	8.00				
DEUM050040-070	DEU	50.00	40.00	7.00	8.50				
PUPM050040-073	PUP	50.00	40.00	7.30	8.00			RF2761	
GUPM040050-080	GUP	50.00	40.00	8.00	9.00			RF131A	
GUPM040050-090	GUP	50.00	40.00	9.00	10.00				
GUPM040050-100	GUP	50.00	40.00	10.00	11.00			RF133A	
DEUM050042-032	DEU	50.00	42.00	3.25	3.50				
GUPM042050-050	GUP	50.00	42.00	5.00	6.00				
GUPM042050-057	GUP	50.00	42.00	5.70	6.70				
GUPM042050-060	GUP	50.00	42.00	6.00	6.60				
GUPM042050-080	GUP	50.00	42.00	8.00	9.00			RF139A	
GUPM042050-085	GUP	50.00	42.00	8.50	9.50				



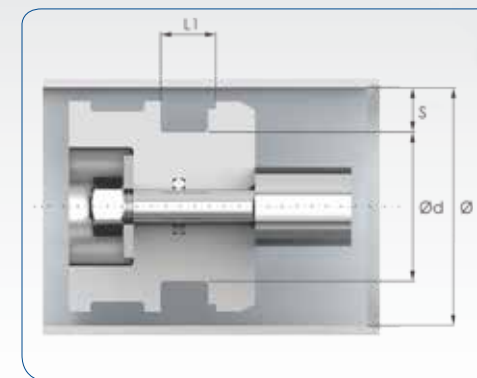
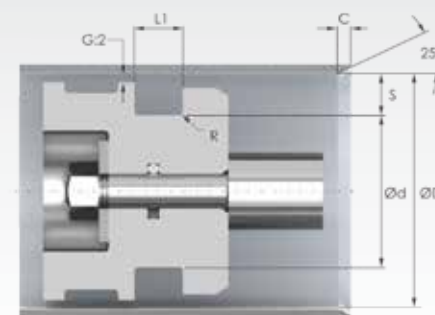
PART N°	PROFILE	HOUSING DIMENSIONS				STEP L	STEP D	REFERENCE N°	ALTERNATE REFERENCE
		ØD	Ød	SH	L1				
PUPM050042-100	PUP	50.00	42.00	10.00	11.00				
GUPM035051-120	GUP	51.00	35.00	12.00	13.00				
GUPM036051-071	GUP	51.00	36.00	7.10	8.10				
GUPM036051-100	GUP	51.00	36.00	10.00	11.00				
GUPM042051-110	GUP	51.00	42.00	11.00	12.00				
GUPM032052-100	GUP	52.00	32.00	10.00	11.00				
GURM032052-100	GUR	52.00	32.00	10.00	11.50				
GUPM035052-120	GUP	52.00	35.00	12.00	13.00				
GUPM036052-120	GUP	52.00	36.00	12.00	13.00				
GURM040052-060	GUR	52.00	40.00	6.00	6.60				
GUPM040052-060	GUP	52.00	40.00	6.00	7.00				
GUPM040052-090	GUP	52.00	40.00	9.00	10.00				
GUPM040052-120	GUP	52.00	40.00	12.00	13.00				
GURM042052-050	GUR	52.00	42.00	5.00	5.50				
PUPM052042-050	PUP	52.00	42.00	5.00	6.00				
GUPM042052-090	GUP	52.00	42.00	9.00	10.00				
GUPM042052-100	GUP	52.00	42.00	10.00	11.00				
GUPM044052-060	GUP	52.00	44.00	6.00	6.60				
GUPM038053-080	GUP	53.00	38.00	8.00	9.00				
GUPM038053-100	GUP	53.00	38.00	10.00	11.00				
GUPM043053-075	GUP	53.00	43.00	7.50	8.50				
GUPM045053-060	GUP	53.00	45.00	6.00	6.60				
GUPM045053-070	GUP	53.00	45.00	7.00	8.00				
GUPM045053-080	GUP	53.00	45.00	8.00	9.00				
GUPM045053-100	GUP	53.00	45.00	10.00	11.00				
GUPM042054-060	GUP	54.00	42.00	6.00	6.60				
GUPM044054-050	GUP	54.00	44.00	5.00	5.50				
GUPM046054-077	GUP	54.00	46.00	7.70	9.00				
GUPM035055-100	GUP	55.00	35.00	10.00	11.00			RF119A	
GURM035055-100	GUR	55.00	35.00	10.00	11.50				
GUPM035055-120	GUP	55.00	35.00	12.00	13.00				
KYBM055037-121	KYB	55.00	37.00	10.00	11.00	2.00	48.00	RBE055	
GUPM038055-100	GUP	55.00	38.00	10.00	11.00			RF126A	
GUPM040055-070	GUP	55.00	40.00	7.00	8.00				
GUPM040055-075	GUP	55.00	40.00	7.50	8.30				
GURM040055-075	GUR	55.00	40.00	7.50	8.30				
GUPM040055-090	GUP	55.00	40.00	9.00	10.00				
GURM040055-100	GUR	55.00	40.00	10.00	11.00				
GUPM040055-100	GUP	55.00	40.00	10.00	11.00			RF135A	UN 40
MDWM055040-105R	MDW	55.00	40.00	10.50	11.00	6.35	50.40		
MDWM055040-105R	MDW	55.00	40.00	10.50	11.00				
GUPM040055-120	GUP	55.00	40.00	12.00	13.00				
GUPM043055-060	GUP	55.00	43.00	6.00	6.60				
GURM043055-060	GUR	55.00	43.00	6.00	6.60				
GUPM045055-050	GUP	55.00	45.00	5.00	5.50				



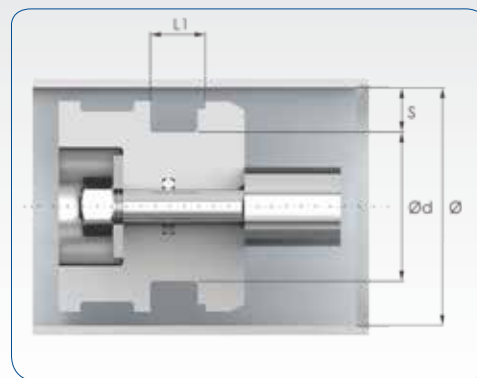
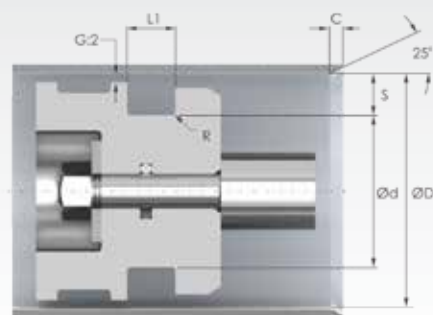
PART N°	PROFILE	HOUSING DIMENSIONS				STEP L	STEP D	REFERENCE N°	ALTERNATE REFERENCE
		ØD	Ød	SH	L1				
GURM045055-050	GUR	55.00	45.00	5.00	5.50				
GUPM045055-057	GUP	55.00	45.00	5.70	6.30			RF2118	
GURM045055-060	GUR	55.00	45.00	6.00	7.00				
GUPM045055-060	GUP	55.00	45.00	6.00	7.00			RF140A	UHS 45A
PUPM055045-060	PUP	55.00	45.00	6.00	7.00				
GUPM045055-065	GUP	55.00	45.00	6.50	7.50			RF141A	
GUPM045055-070	GUP	55.00	45.00	7.00	8.00				
PUPM055045-070	PUP	55.00	45.00	7.00	8.00				
PUPM055045-073	PUP	55.00	45.00	7.30	8.00			RF2763	
PUPM055045-075	PUP	55.00	45.00	7.50	8.50				
GUPM045055-080	GUP	55.00	45.00	8.00	9.00				
PUPM055045-100	PUP	55.00	45.00	10.00	11.00				
GUPM045055-100	GUP	55.00	45.00	10.00	11.00				
GUPM038056-100	GUP	56.00	38.00	10.00	11.00				
GUPM040056-080	GUP	56.00	40.00	8.00	9.00				
GUPM040056-100	GUP	56.00	40.00	10.00	11.00				
GURM040056-100H	GUR	56.00	40.00	10.00	11.00				
GURM040056-100	GUR	56.00	40.00	10.00	11.50				
GUPM044056-060	GUP	56.00	44.00	6.00	6.60				
GUPM045056-070	GUP	56.00	45.00	7.00	8.00			RF145A	UHS 45
GURM046056-050	GUR	56.00	46.00	5.00	5.50				
GUPM046056-060	GUP	56.00	46.00	6.00	7.00			RF2119	
PUPM056046-070	PUP	56.00	46.00	7.00	8.00				
GUPM046056-080	GUP	56.00	46.00	8.00	9.00				
GUPM042057-080	GUP	57.00	42.00	8.00	9.00				
GUPM044057-090	GUP	57.00	44.00	9.00	10.00				
GUPM045057-060	GUP	57.00	45.00	6.00	6.60				
GUPM050057-100	GUP	57.00	50.00	10.00	11.00				
GUPM038058-100	GUP	58.00	38.00	10.00	11.00			RF127A	
GURM038058-100	GUR	58.00	38.00	10.00	11.50				
GUPM039058-100	GUP	58.00	39.00	10.00	11.00				
GUPM045058-100	GUP	58.00	45.00	10.00	11.00				
GURM046058-060	GUR	58.00	46.00	6.00	6.60				
GUPM046058-060	GUP	58.00	46.00	6.00	7.00				
GUPM048058-065	GUP	58.00	48.00	6.50	7.50				
GUPM048068-100	GUP	58.00	48.00	10.00	11.00				
GUPM048068-120	GUP	58.00	48.00	12.00	13.00				
GUPM050058-050	GUP	58.00	50.00	5.00	5.50				
GUPM050058-100	GUP	58.00	50.00	10.00	11.00				
GURM030060-150	GUR	60.00	30.00	15.00	16.50				
GURM035060-120	GUR	60.00	35.00	12.00	13.00				
GUPM040060-100	GUP	60.00	40.00	10.00	11.00			RF137A	
GURM040060-100	GUR	60.00	40.00	10.00	11.50				
GUPM040060-120	GUP	60.00	40.00	12.00	13.00			RP046	
GUPM040060-130	GUP	60.00	40.00	13.00	14.00				



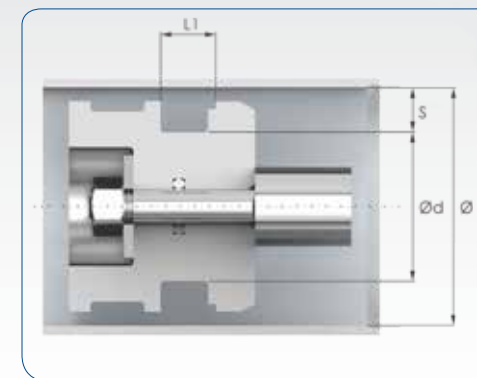
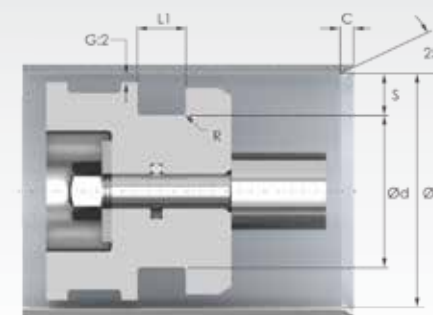
PART N°	PROFILE	HOUSING DIMENSIONS				STEP L	STEP D	REFERENCE N°	ALTERNATE REFERENCE
		ØD	Ød	SH	L1				
SRFM040060-140	SRF	60.00	40.00	14.00	14.50				
KYBM060042-121	KYB	60.00	42.00	10.00	11.00	2.00	53.00	RBE060	
PUPM060044-120	PUP	60.00	44.00	12.00	13.00				
GUPM044060-120	GUP	60.00	44.00	12.00	13.00				
GURM045060-075	GUR	60.00	45.00	7.50	8.30				
GUPM045060-100	GUP	60.00	45.00	10.00	11.00			RF148A	
SRFM045060-110	SRF	60.00	45.00	11.00	11.50			RF2502	
GUPM045060-110	GUP	60.00	45.00	11.00	12.00				
GURM048060-060	GUR	60.00	48.00	6.00	6.60				
GUPM048060-060	GUP	60.00	48.00	6.00	7.00				
GUPM048060-090	GUP	60.00	48.00	9.00	10.00				
GUPM050060-050	GUP	60.00	50.00	5.00	5.50				
GURM050060-050	GUR	60.00	50.00	5.00	5.50				
GURM050060-060	GUR	60.00	50.00	6.00	7.00				
GUPM050060-060	GUP	60.00	50.00	6.00	7.00			RF154A	UHS 50
PUPM060050-060	PUP	60.00	50.00	6.00	8.00				
GUPM050060-070	GUP	60.00	50.00	7.00	8.00				
PUPM060050-070	PUP	60.00	50.00	7.00	8.00				
DEUM060050-070	DEU	60.00	50.00	7.00	8.50				
PUPM060050-073	PUP	60.00	50.00	7.30	8.30				
GUPM050060-075	GUP	60.00	50.00	7.50	8.50				
GUPM050060-080	GUP	60.00	50.00	8.00	9.00				
PUPM060050-100	PUP	60.00	50.00	10.00	11.00				
GUPM050060-100	GUP	60.00	50.00	10.00	11.00			RF156A	
GUPM050060-110	GUP	60.00	50.00	11.00	12.00				
GUPM050060-120	GUP	60.00	50.00	12.00	13.00				
GUPM052060-060	GUP	60.00	52.00	6.00	6.60				
GUPM045061-120	GUP	61.00	45.00	12.00	13.00				
GURM045061-120	GUR	61.00	45.00	12.00	13.50				
GUPM042062-120	GUP	62.00	42.00	12.00	13.00				
GURM050062-060	GUR	62.00	50.00	6.00	6.60				
GUPM050062-060	GUP	62.00	50.00	6.00	7.00				
GUPM050062-090	GUP	62.00	50.00	9.00	10.00			RF159	
GUPM052062-060	GUP	62.00	52.00	6.00	7.00				
PUPM062052-070	PUP	62.00	52.00	7.00	8.00				
GUPM052062-100	GUP	62.00	52.00	10.00	11.00			RF2121	
GUPM052062-120	GUP	62.00	52.00	12.00	13.00				
GUPM043063-100	GUP	63.00	43.00	10.00	11.00				
GUPM045063-100	GUP	63.00	45.00	10.00	11.00			RF149A	
GUPM045063-120	GUP	63.00	45.00	12.00	13.00				
PUPM063048-070	PUP	63.00	48.00	7.00	8.00				
GUPM048063-100	GUP	63.00	48.00	10.00	11.00			RF152A	UN 48
GUPM048063-120	GUP	63.00	48.00	12.00	13.00				
GUPM050063-060	GUP	63.00	50.00	6.00	7.00			RF161A	
GUPM050063-070	GUP	63.00	50.00	7.00	8.00				



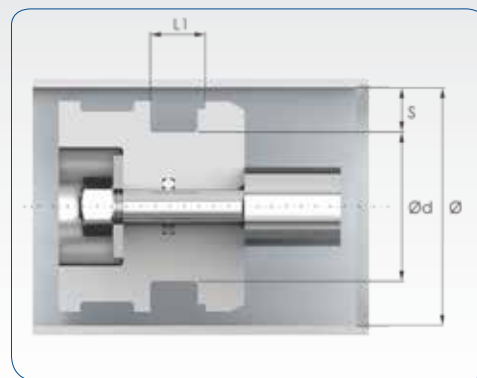
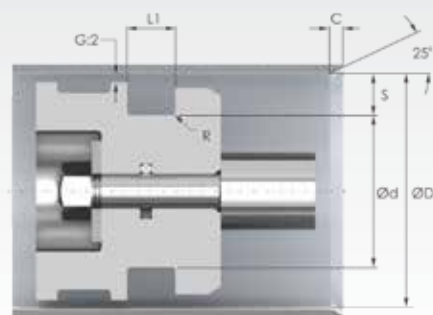
PART N°	PROFILE	HOUSING DIMENSIONS				STEP L	STEP D	REFERENCE N°	ALTERNATE REFERENCE
		ØD	Ød	SH	L1				
GUPM050063-080	GUP	63.00	50.00	8.00	9.00				
GUPM050063-090	GUP	63.00	50.00	9.00	10.00				
GUPM050063-100	GUP	63.00	50.00	10.00	11.00				
PUPM063050-120	PUP	63.00	50.00	12.00	13.00				
GUPM050063-120	GUP	63.00	50.00	12.00	13.00				
GURM051063-060	GUR	63.00	51.00	6.00	6.60				
GUPM053063-050	GUP	63.00	53.00	5.00	5.50				
GURM053063-050	GUR	63.00	53.00	5.00	5.50				
GUPM053063-060	GUP	63.00	53.00	6.00	7.00			RF165A	UHS 53
PUPM063053-060	PUP	63.00	53.00	6.00	7.00				
GURM053063-065	GUR	63.00	53.00	6.50	7.50				
GUPM053063-065	GUP	63.00	53.00	6.50	7.50			RF166A	
GUPM053063-070	GUP	63.00	53.00	7.00	8.00				
PUPM063053-070	PUP	63.00	53.00	7.00	8.00				
DEUM063053-070	DEU	63.00	53.00	7.00	8.50				
GUPM053063-075	GUP	63.00	53.00	7.50	8.50				
GUPM053063-120	GUP	63.00	53.00	12.00	13.00				
GUPM052064-060	GUP	64.00	52.00	6.00	6.60				
GUPM040065-100	GUP	65.00	40.00	10.00	11.00				
GUPM040065-120	GUP	65.00	40.00	12.00	13.00				
GURM040065-120	GUR	65.00	40.00	12.00	13.50				
GUPM045065-100	GUP	65.00	45.00	10.00	11.00			RF150A	
GURM045065-100	GUR	65.00	45.00	10.00	11.50				
GUPM045065-120	GUP	65.00	45.00	12.00	13.00				
SRFM045065-140	SRF	65.00	45.00	14.00	14.50			RK138A	
KYBM065047-121	KYB	65.00	47.00	10.00	11.00	2.00	58.00	RBE065	
GUPM050065-075	GUP	65.00	50.00	7.50	8.30				
GURM050065-075	GUR	65.00	50.00	7.50	8.30				
MDWM065050-100R	MDW	65.00	50.00	10.00	10.50	6.35	59.30		
MDWM065050-105R	MDW	65.00	50.00	10.00	10.50				
GUPM050065-100	GUP	65.00	50.00	10.00	11.00			RF162A	UN 50
SRFM050065-110	SRF	65.00	50.00	11.00	11.50			RF2504	
GUPM050065-110	GUP	65.00	50.00	11.00	12.00				
GUPM050065-120	GUP	65.00	50.00	12.00	13.00				
GURM053065-060	GUR	65.00	53.00	6.00	6.60				
GUPM055065-050	GUP	65.00	55.00	5.00	5.50				
GURM055065-050	GUR	65.00	55.00	5.00	5.50				
GURM055065-060H	GUR	65.00	55.00	6.00	7.00				
GUPM055065-060	GUP	65.00	55.00	6.00	7.00			RF1012	UHS 55
PUPM065055-060	PUP	65.00	55.00	6.00	7.00				
PUPM065055-070	PUP	65.00	55.00	7.00	8.00				
DEUM065055-070	DEU	65.00	55.00	7.00	8.50				
GUPM055065-075	GUP	65.00	55.00	7.50	8.50				
GUPM055065-100	GUP	65.00	55.00	10.00	11.00				
GUPM055065-120	GUP	65.00	55.00	12.00	13.00				



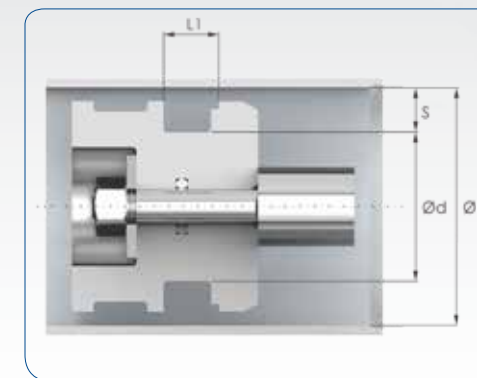
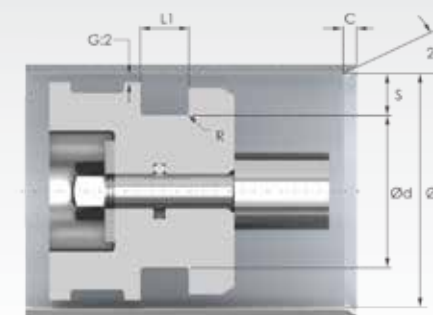
PART N°	PROFILE	HOUSING DIMENSIONS				STEP L	STEP D	REFERENCE N°	ALTERNATE REFERENCE
		ØD	Ød	SH	L1				
GUPM050066-120	GUP	66.00	50.00	12.00	13.00				
GUPM056066-050	GUP	66.00	56.00	5.00	6.00				
GUPM056066-060	GUP	66.00	56.00	6.00	7.00			RF173A	UHS 56
GUPM056066-075	GUP	66.00	56.00	7.50	8.50				
GURM048068-100	GUR	68.00	48.00	10.00	11.50				
GUPM050068-100	GUP	68.00	50.00	10.00	11.00				
GUPM050068-120	GUP	68.00	50.00	12.00	13.00				
GUPM055068-100	GUP	68.00	55.00	10.00	11.00				
GUPM058068-060	GUP	68.00	58.00	6.00	7.00			RF175A	UHS 58
GUPM060068-080	GUP	68.00	60.00	8.00	9.00				
SRFM061069-080	SRF	69.00	61.00	8.00	9.00				
GUPM040070-120	GUP	70.00	40.00	12.00	13.00				
GUPM040070-140	GUP	70.00	40.00	14.00	16.00			RF138A	
SRFM040070-240H	SRF	70.00	40.00	24.00	24.50				
GUPM045070-120	GUP	70.00	45.00	12.00	13.00				
GUPM046070-120	GUP	70.00	46.00	12.00	13.00				
KYBM070048-145	KYB	70.00	48.00	12.00	13.00	2.50	61.00	RBE070	
GUPM050070-080	GUP	70.00	50.00	8.00	9.00				
GUPM050070-100	GUP	70.00	50.00	10.00	11.00			RF163A	
GURM050070-100	GUR	70.00	50.00	10.00	11.50				
GUPM050070-120	GUP	70.00	50.00	12.00	13.00			RF164A	
MDWM070050-140R	MDW	70.00	50.00	14.00	14.50	6.35	64.20		
SRFM050070-140	SRF	70.00	50.00	14.00	14.50			RK142A	
MDWM070050-140R	MDW	70.00	50.00	14.00	14.50				
PUPM070050-140	PUP	70.00	50.00	14.00	15.00				
GUPM055070-075	GUP	70.00	55.00	7.50	8.30				
PUPM070055-100	PUP	70.00	55.00	10.00	11.00			RF2768	
GUPM055070-100	GUP	70.00	55.00	10.00	11.00				
GUPM055070-120	GUP	70.00	55.00	12.00	13.00				
GUPM056070-120	GUP	70.00	56.00	12.00	13.00				
GUPM058070-060	GUP	70.00	58.00	6.00	7.00				
DEUM070058-085	DEU	70.00	58.00	8.50	10.00				
GUPM060070-050	GUP	70.00	60.00	5.00	5.50				
GURM060070-050	GUR	70.00	60.00	5.00	5.50				
GURM060070-060	GUR	70.00	60.00	6.00	7.00				
GURM060070-060H	GUR	70.00	60.00	6.00	7.00				
GUPM060070-060	GUP	70.00	60.00	6.00	7.00			RF176A	UHS 60A
PUPM070060-060	PUP	70.00	60.00	6.00	7.00				
SURM060070-060	SUR	70.00	60.00	6.00	7.00				
GUPM060070-070	GUP	70.00	60.00	7.00	8.00				
PUPM070060-070	PUP	70.00	60.00	7.00	8.00				
GUPM060070-080	GUP	70.00	60.00	8.00	9.00			RF177A	
PUPM070060-100	PUP	70.00	60.00	10.00	11.00				
GUPM060070-100	GUP	70.00	60.00	10.00	11.00			RF178A	
GUPM060070-110	GUP	70.00	60.00	11.00	12.00				



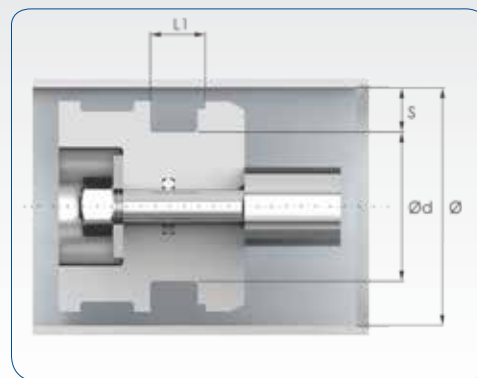
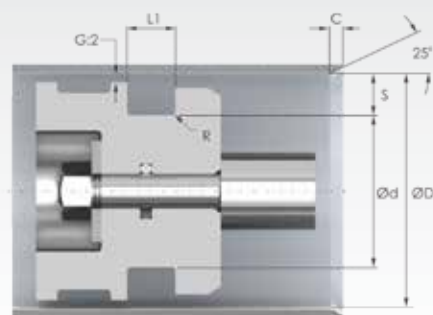
PART N°	PROFILE	HOUSING DIMENSIONS				STEP L	STEP D	REFERENCE N°	ALTERNATE REFERENCE
		ØD	Ød	SH	L1				
GUPM060070-120	GUP	70.00	60.00	12.00	13.00				
GUPM060070-130	GUP	70.00	60.00	13.00	14.00				
PUPM070062-080	PUP	70.00	62.00	8.00	9.00				
GUPM055071-120	GUP	71.00	55.00	12.00	13.00				
GUPM056071-100	GUP	71.00	56.00	10.00	11.00				
GURM060071-070	GUR	71.00	60.00	7.00	8.00				
GUPM060071-070	GUP	71.00	60.00	7.00	8.00			RF181A	UHS 60
GUPM061071-060	GUP	71.00	61.00	6.00	7.00				
PUPM071061-060	PUP	71.00	61.00	6.00	7.00			RF2769	
GUPM060072-090	GUP	72.00	60.00	9.00	10.00				
GUPM063072-060	GUP	72.00	63.00	6.00	7.00				
GUPM053073-120	GUP	73.00	53.00	12.00	13.00			RF167A	UN 53
GUPM060073-100	GUP	73.00	60.00	10.00	11.00				
GUPM063073-050	GUP	73.00	63.00	5.00	5.50				
GURM063073-050	GUR	73.00	63.00	5.00	5.50				
GUPM063073-060	GUP	73.00	63.00	6.00	7.00			RF186A	UHS 63
GUPM063073-075	GUP	73.00	63.00	7.50	8.50				
GUPM063073-120	GUP	73.00	63.00	12.00	13.00			RF2124	
GUPM040075-100	GUP	75.00	40.00	10.00	11.00				
GUPM050075-120	GUP	75.00	50.00	12.00	13.00				
GUPM055075-100	GUP	75.00	55.00	10.00	11.00				
GURM055075-100	GUR	75.00	55.00	10.00	11.50				
GUPM055075-120	GUP	75.00	55.00	12.00	13.00			RF172A	UN 55
GUPM060075-075	GUP	75.00	60.00	7.50	8.30				
GURM060075-075	GUR	75.00	60.00	7.50	8.30				
GUPM060075-090	GUP	75.00	60.00	9.00	10.00				
GUPM060075-100	GUP	75.00	60.00	10.00	11.00				
GUPM060075-120	GUP	75.00	60.00	12.00	13.00				
PUPM075063-085	PUP	75.00	63.00	8.50	9.50				
DEUM075063-085	DEU	75.00	63.00	8.50	10.00				
GUPM063075-090	GUP	75.00	63.00	9.00	10.00				
GUPM063075-100	GUP	75.00	63.00	10.00	11.00				
GUPM065075-050	GUP	75.00	65.00	5.00	5.50				
GURM065075-050	GUR	75.00	65.00	5.00	5.50				
GURM065075-060	GUR	75.00	65.00	6.00	7.00				
GURM065075-060H	GUR	75.00	65.00	6.00	7.00				
GUPM065075-060	GUP	75.00	65.00	6.00	7.00			RF189A	UHS 65
PUPM075065-060	PUP	75.00	65.00	6.00	7.00				
GUPM065075-073	GUP	75.00	65.00	7.30	8.30				
PUPM075065-075	PUP	75.00	65.00	7.50	8.50				
GUPM065075-100	GUP	75.00	65.00	10.00	11.00				
GUPM065075-120	GUP	75.00	65.00	12.00	13.00				
GUPM056076-120	GUP	76.00	56.00	12.00	13.00			RF174A	
GURM060076-120H	GUR	76.00	60.00	12.00	13.00				
GUPM060076-120	GUP	76.00	60.00	12.00	13.00			RF2123	



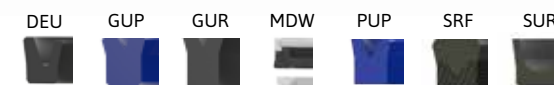
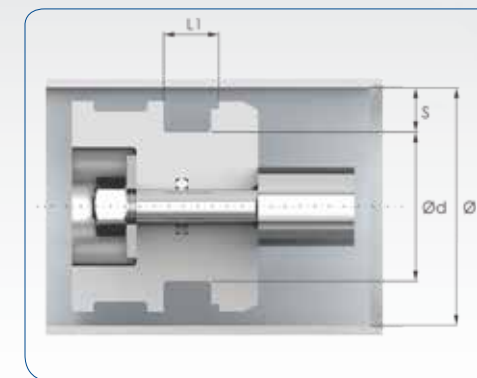
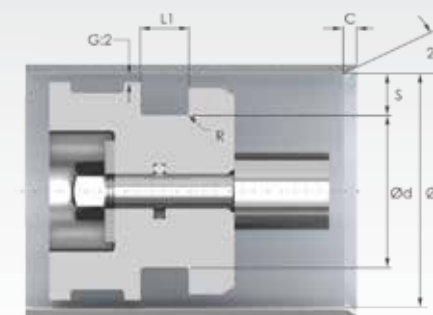
PART N°	PROFILE	HOUSING DIMENSIONS				STEP L	STEP D	REFERENCE N°	ALTERNATE REFERENCE
		ØD	Ød	SH	L1				
GUPM066076-080	GUP	76.00	66.00	8.00	9.00			RF194A	
GUPM066077-060	GUP	77.00	66.00	6.00	7.00				
GURM067077-060H	GUR	77.00	67.00	6.00	7.00				
GUPM067077-060	GUP	77.00	67.00	6.00	7.00			RF196A	UHS 67
GUPM058078-150	GUP	78.00	58.00	15.00	16.00				
GUPM063078-100	GUP	78.00	63.00	10.00	11.00			RF187A	
GUPM065078-100	GUP	78.00	65.00	10.00	11.00				
GUPM055080-120	GUP	80.00	55.00	12.00	13.00				
GURM055080-120	GUR	80.00	55.00	12.00	13.50				
GUPM055080-150	GUP	80.00	55.00	15.00	16.00				
GUPM056080-150	GUP	80.00	56.00	15.00	16.00				
KYBM080058-145	KYB	80.00	58.00	12.00	13.00	2.50	71.00	RBE080	
GUPM060080-100	GUP	80.00	60.00	10.00	11.00			RF184A	
GURM060080-100	GUR	80.00	60.00	10.00	11.50				
GUPM060080-120	GUP	80.00	60.00	12.00	13.00			RF185A	UN 60
MDWM080060-140R	MDW	80.00	60.00	14.00	14.50	6.35	74.30		
MDWM080060-140R	MDW	80.00	60.00	14.00	14.50				
SRFM060080-140	SRF	80.00	60.00	14.00	14.50			RF2794	
GUPM060080-150	GUP	80.00	60.00	15.00	17.00				
GUPM061080-120	GUP	80.00	61.00	12.00	13.00				
GUPM064080-120	GUP	80.00	64.00	12.00	13.00				
GUPM065080-075	GUP	80.00	65.00	7.50	8.30				
GURM065080-075	GUR	80.00	65.00	7.50	8.30				
GUPM065080-084	GUP	80.00	65.00	8.40	9.50				
PUPM080065-090	PUP	80.00	65.00	9.00	10.00				
PUPM080065-100	PUP	80.00	65.00	10.00	11.00				
GUPM065080-100	GUP	80.00	65.00	10.00	11.00				
GUPM065080-110	GUP	80.00	65.00	11.00	12.00			RF191A	
PUPM080065-114H	PUP	80.00	65.00	11.40	12.50				
GUPM065080-120	GUP	80.00	65.00	12.00	13.00				
GUPM066080-100	GUP	80.00	66.00	10.00	11.00			RF195A	
PUPM080068-085	PUP	80.00	68.00	8.50	9.50				
DEUM080068-085	DEU	80.00	68.00	8.50	10.00				
GUPM068080-090	GUP	80.00	68.00	9.00	10.00				
SURM068080-120	SUR	80.00	68.00	12.00	13.00				
DEUM080070-042	DEU	80.00	70.00	4.25	4.50				
GUPM070080-050	GUP	80.00	70.00	5.00	5.50				
GURM070080-050	GUR	80.00	70.00	5.00	5.50				
GUPM070080-054	GUP	80.00	70.00	5.40	6.40				
GURM070080-060	GUR	80.00	70.00	6.00	6.60				
GURM070080-060H	GUR	80.00	70.00	6.00	7.00				
GUPM070080-060	GUP	80.00	70.00	6.00	7.00			RF198A	UHS 70
PUPM080070-060	PUP	80.00	70.00	6.00	7.00				
PUPM080070-075	PUP	80.00	70.00	6.80	7.50				
PUPM080070-070	PUP	80.00	70.00	7.00	8.00				



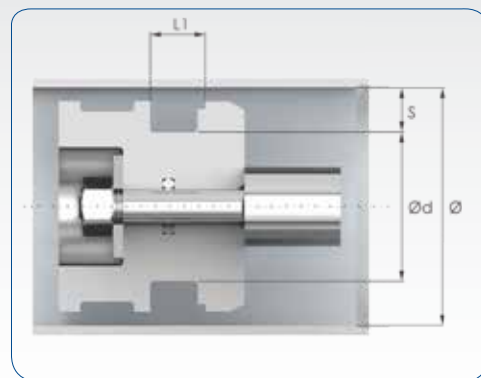
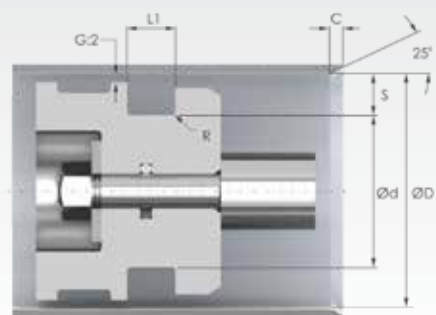
PART N°	PROFILE	HOUSING DIMENSIONS				STEP L	STEP D	REFERENCE N°	ALTERNATE REFERENCE
		ØD	Ød	SH	L1				
DEUM080070-070	DEU	80.00	70.00	7.00	8.50				
GUPM070080-080	GUP	80.00	70.00	8.00	9.00			RF199A	
GUPM070080-100	GUP	80.00	70.00	10.00	11.00			RF1001	
PUPM080070-120	PUP	80.00	70.00	12.00	13.00				
GUPM070080-120	GUP	80.00	70.00	12.00	13.00			RF200A	
GURM071080-060	GUR	80.00	71.00	6.00	7.00				
GUPM071080-060	GUP	80.00	71.00	6.00	7.00			RF205A	UHS 71
PUPM080071-065	PUP	80.00	71.00	6.50	7.50				
PUPM080072-120	PUP	80.00	72.00	12.00	13.00				
PUPM082070-080	PUP	82.00	70.00	8.00	9.00				
GUPM063083-120	GUP	83.00	63.00	12.00	13.00			RF188A	UN 63
GUPM070083-100	GUP	83.00	70.00	10.00	11.00				
SRFM070084-120	SRF	84.00	70.00	12.00	12.50				
SRFM076084-080	SRF	84.00	76.00	8.00	9.00				
GURM055085-150	GUR	85.00	55.00	15.00	16.50				
KYBM085063-145	KYB	85.00	63.00	12.00	13.00	2.50	76.00	RBE085	
GUPM065085-100	GUP	85.00	65.00	10.00	11.00			RF192A	
GURM065085-100	GUR	85.00	65.00	10.00	11.50				
GUPM065085-120	GUP	85.00	65.00	12.00	13.00			RF193A	UN 65
GUPM070085-075	GUP	85.00	70.00	7.50	8.30				
GURM070085-075	GUR	85.00	70.00	7.50	8.30				
GUPM070085-080	GUP	85.00	70.00	8.00	9.00				
GUPM070085-085	GUP	85.00	70.00	8.50	9.50			RF2128	
GUPM070085-105	GUP	85.00	70.00	10.50	11.50				
GUPM070085-110	GUP	85.00	70.00	11.00	12.00				
GUPM070085-120	GUP	85.00	70.00	12.05	13.00			RF202A	
DEUM085073-085	DEU	85.00	73.00	8.50	10.00				
GUPM075085-050	GUP	85.00	75.00	5.00	5.50				
GURM075085-060H	GUR	85.00	75.00	6.00	7.00				
GUPM075085-060	GUP	85.00	75.00	6.00	7.00			RF207A	UHS 75
PUPM085075-060	PUP	85.00	75.00	6.00	7.00			RF2775	
GUPM075085-070	GUP	85.00	75.00	7.00	8.00				
GUPM075085-080	GUP	85.00	75.00	8.00	9.00				
GUPM075085-100	GUP	85.00	75.00	10.00	11.00				
GUPM075085-120	GUP	85.00	75.00	12.00	13.00			RF209A	
GUPM067087-120	GUP	87.00	67.00	12.00	13.00			RF197A	UN 67
GUPM075088-100	GUP	88.00	75.00	10.00	11.00				
GURM060090-150	GUR	90.00	60.00	15.00	16.50				
GUPM065090-080	GUP	90.00	65.00	8.00	9.00				
GURM065090-120	GUR	90.00	65.00	12.00	13.50				
GUPM065090-130	GUP	90.00	65.00	13.00	14.00				
GUPM065090-150	GUP	90.00	65.00	15.00	16.00				
GUPM065090-190	GUP	90.00	65.00	19.00	21.00				
KYBM090068-145	KYB	90.00	68.00	12.00	13.00	2.50	81.00	RBE090	
GURM070090-075	GUR	90.00	70.00	7.50	8.30				



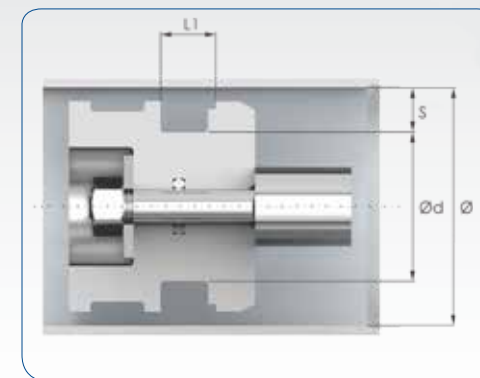
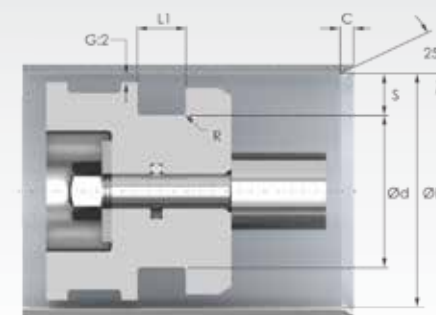
PART N°	PROFILE	HOUSING DIMENSIONS				STEP L	STEP D	REFERENCE N°	ALTERNATE REFERENCE
		ØD	Ød	SH	L1				
GUPM070090-100	GUP	90.00	70.00	10.00	11.00				
PUPM090070-100	PUP	90.00	70.00	10.00	11.00			RF2774	
GURM070090-100	GUR	90.00	70.00	10.00	11.50				
GUPM070090-120	GUP	90.00	70.00	12.00	13.00			RF203A	UN 70
MDWM090070-140R	MDW	90.00	70.00	14.00	14.50	6.35	74.15		
MDWM090070-145R	MDW	90.00	70.00	14.00	14.50				
GURM070090-150H	GUR	90.00	70.00	15.00	16.00				
GUPM070090-150	GUP	90.00	70.00	15.00	17.00				
GUPM072090-100	GUP	90.00	72.00	10.00	11.00				
GURM075090-075	GUR	90.00	75.00	7.50	8.30				
GUPM075090-075	GUP	90.00	75.00	7.50	8.50			RF210A	
PUPM090075-090	PUP	90.00	75.00	9.00	10.00			RF2776	
GUPM075090-100	GUP	90.00	75.00	10.00	11.00				
GUPM075090-110	GUP	90.00	75.00	11.00	12.00				
GUPM075090-120	GUP	90.00	75.00	12.00	13.00			RF211A	
DEUM090078-085	DEU	90.00	78.00	8.50	10.00				
GUPM078090-090	GUP	90.00	78.00	9.00	10.00				
GUPM080090-050	GUP	90.00	80.00	5.00	5.50				
GUPM080090-054	GUP	90.00	80.00	5.40	6.40				
GURM080090-060	GUR	90.00	80.00	6.00	7.00				
GURM080090-060H	GUR	90.00	80.00	6.00	7.00				
GUPM080090-060	GUP	90.00	80.00	6.00	7.00			RF213A	UHS 80
PUPM090080-060	PUP	90.00	80.00	6.00	7.00				
PUPM090080-070	PUP	90.00	80.00	7.00	8.00				
GUPM080090-073	GUP	90.00	80.00	7.30	8.00				
GUPM080090-100	GUP	90.00	80.00	10.00	11.00				
GUPM080090-120	GUP	90.00	80.00	12.00	13.00			RF215A	
GUPM071091-120	GUP	91.00	71.00	12.00	13.00			RF206A	
SRFM080092-090	SRF	92.00	80.00	9.00	9.60			RF4244	
GUPM080092-090	GUP	92.00	80.00	9.00	10.00				
GUPM082092-100	GUP	92.00	82.00	10.00	11.00				
GUPM080093-100	GUP	93.00	80.00	10.00	11.00				
GURM065095-150	GUR	95.00	65.00	15.00	16.50				
GUPM070095-120	GUP	95.00	70.00	12.00	13.00			RF204A	
GURM075095-100	GUR	95.00	75.00	10.00	11.50				
GUPM075095-120	GUP	95.00	75.00	12.00	13.00			RF212A	UN 75
SRFM075095-140	SRF	95.00	75.00	14.00	14.50			RK160A	
GURM080095-075	GUR	95.00	80.00	7.50	8.30				
GUPM080095-077	GUP	95.00	80.00	7.50	8.70			RF2131	
GUPM080095-080	GUP	95.00	80.00	8.00	9.00				
GUPM080095-090	GUP	95.00	80.00	9.00	10.00				
PUPM095080-090	PUP	95.00	80.00	9.00	10.00				
GUPM080095-100	GUP	95.00	80.00	10.00	11.00				
GUPM080095-120	GUP	95.00	80.00	12.00	13.00				
GURM085095-050	GUR	95.00	85.00	5.00	5.50				



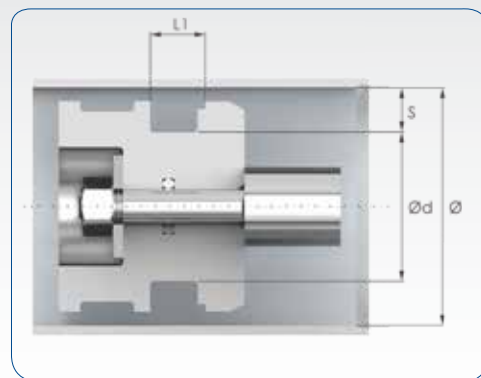
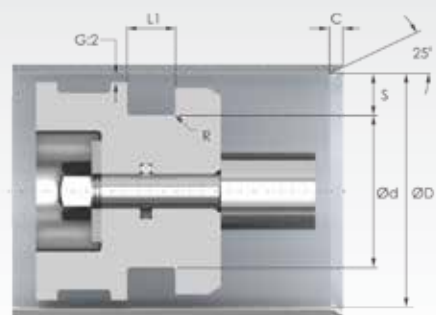
PART N°	PROFILE	HOUSING DIMENSIONS				STEP L	STEP D	REFERENCE N°	ALTERNATE REFERENCE
		ØD	Ød	SH	L1				
GUPM085095-085	GUP	95.00	85.00	8.50	9.50				
GUPM085095-090	GUP	95.00	85.00	9.00	10.00				
GUPM085095-120	GUP	95.00	85.00	12.00	13.00				
SRFM091099-080	SRF	99.00	91.00	8.00	9.00				
GURM075100-150	GUR	100.00	75.00	15.00	16.50				
KYBM100078-145	KYB	100.00	78.00	12.00	13.00	2.50	91.00	RBE100	
GUPM080100-100	GUP	100.00	80.00	10.00	11.00			RF217A	
GURM080100-100	GUR	100.00	80.00	10.00	11.50				
GUPM080100-120	GUP	100.00	80.00	12.00	13.00			RF218A	UN 80
MDWM100080-140R	MDW	100.00	80.00	14.00	14.50	6.35	94.15		
MDWM100080-140R	MDW	100.00	80.00	14.00	14.50				
GUPM085100-070	GUP	100.00	85.00	7.00	8.00				
GURM085100-075	GUR	100.00	85.00	7.50	8.30				
GUPM085100-085	GUP	100.00	85.00	8.50	9.50			RF2133	
GUPM085100-090	GUP	100.00	85.00	9.00	10.00			RF220A	UHS 85
PUPM100085-090	PUP	100.00	85.00	9.00	10.00				
GUPM085100-100	GUP	100.00	85.00	10.00	11.00				
PUPM100085-114	PUP	100.00	85.00	11.40	12.50			RF2778	
PUPM100085-125	PUP	100.00	85.00	11.40	12.50			RF2778	
PUPM100085-120	PUP	100.00	85.00	12.00	13.00				
GUPM085100-120	GUP	100.00	85.00	12.00	13.00				
GUPM085100-250	GUP	100.00	85.00	25.00	26.00				
PUPM100088-085	PUP	100.00	88.00	8.50	9.50				
DEUM100088-085	DEU	100.00	88.00	8.50	10.00				
GUPM088100-090	GUP	100.00	88.00	9.00	10.00				
DEUM100090-042	DEU	100.00	90.00	4.25	4.50				
GURM090100-050	GUR	100.00	90.00	5.00	5.50				
PUPM100090-065	PUP	100.00	90.00	6.50	7.50				
GUPM090100-068	GUP	100.00	90.00	6.80	7.80				
GUPM090100-070	GUP	100.00	90.00	7.00	8.00			RF224A	
PUPM100090-072	PUP	100.00	90.00	7.20	8.20				
GUPM090100-080	GUP	100.00	90.00	8.00	9.00				
PUPM100090-085	PUP	100.00	90.00	8.50	9.50				
GUPM090100-100	GUP	100.00	90.00	10.00	11.00				
PUPM100090-105	PUP	100.00	90.00	10.50	11.50				
GUPM090100-120	GUP	100.00	90.00	12.00	13.00			RF225A	
GUPM082102-100	GUP	102.00	82.00	10.00	11.00				
GUPM085102-090	GUP	102.00	85.00	9.00	10.00				
GUPM083103-140	GUP	103.00	83.00	14.00	15.00				
MDWM104085-140R	MDW	104.50	85.00	14.00	14.50	6.35	98.90		
MDWM104085-140R	MDW	104.50	85.00	14.00	14.50				
GURM075105-150	GUR	105.00	75.00	15.00	16.50				
GURM080105-120	GUR	105.00	80.00	12.00	13.50				
GUPM080105-150	GUP	105.00	80.00	15.00	16.00				
GURM085105-100	GUR	105.00	85.00	10.00	11.50				



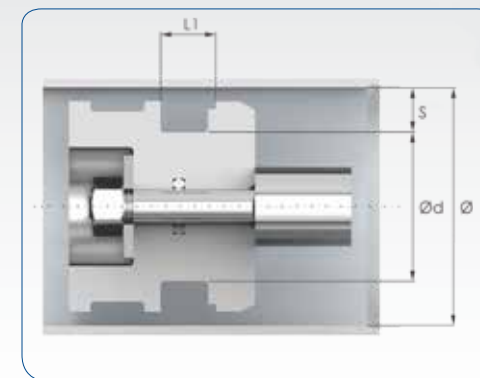
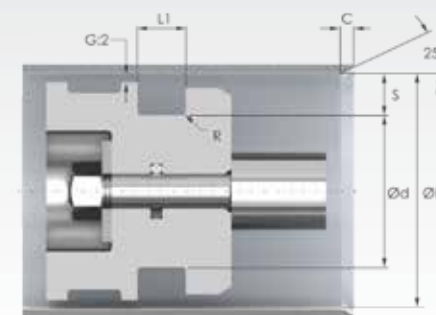
PART N°	PROFILE	HOUSING DIMENSIONS				STEP L	STEP D	REFERENCE N°	ALTERNATE REFERENCE
		ØD	Ød	SH	L1				
SRFM085105-120	SRF	105.00	85.00	11.20	12.00			R45228	
GUPM085105-120	GUP	105.00	85.00	12.00	13.00			RF223A	UN 85
MDWM105085-140R	MDW	105.00	85.00	14.00	14.50	6.35	99.42		
MDWM105085-140R	MDW	105.00	85.00	14.00	14.50				
GUPM090105-075	GUP	105.00	90.00	7.50	8.30				
GURM090105-075	GUR	105.00	90.00	7.50	8.30				
GURM090105-090H	GUR	105.00	90.00	9.00	10.00				
GUPM090105-090	GUP	105.00	90.00	9.00	10.00			RF226A	UHS 90
GUPM090105-120	GUP	105.00	90.00	12.00	13.00				
DEUM105093-085	DEU	105.00	93.00	8.50	10.00				
GUPM096105-110	GUP	105.00	96.00	11.00	12.00				
GUPM105130-150	GUP	105.00	105.00	15.00	16.00				
GURM080110-150	GUR	110.00	80.00	15.00	16.50				
GUPM085110-120	GUP	110.00	85.00	12.00	13.00				
GURM085110-120	GUR	110.00	85.00	12.00	13.50				
KYBM110088-145	KYB	110.00	88.00	12.00	13.00	2.50	101.00	RBE110	
GUPM090110-100	GUP	110.00	90.00	10.00	11.00				
GURM090110-100	GUR	110.00	90.00	10.00	11.50				
GUPM090110-120H	GUP	110.00	90.00	12.00	13.00				
GUPM090110-120	GUP	110.00	90.00	12.00	13.00			RF228A	UN 90
MDWM110090-125R	MDW	110.00	90.00	12.50	13.00	6.35	104.15		
MDWM110090-125R	MDW	110.00	90.00	12.50	13.00				
GUPM090110-150	GUP	110.00	90.00	15.00	16.00				
GURM095110-075	GUR	110.00	95.00	7.50	8.30				
GUPM095110-090	GUP	110.00	95.00	9.00	10.00			RF229A	UHS 95
GUPM095110-100	GUP	110.00	95.00	10.00	11.00				
PUPM110095-100	PUP	110.00	95.00	10.00	11.00				
GUPM095110-120	GUP	110.00	95.00	12.00	13.00				
GUPM095110-125	GUP	110.00	95.00	12.50	13.50			RF2135	
GUPM095110-150	GUP	110.00	95.00	15.00	16.00			RF230A	
DEUM110098-085	DEU	110.00	98.00	8.50	10.00				
GURM100110-050	GUR	110.00	100.00	5.00	5.50				
GUPM100110-050	GUP	110.00	100.00	5.00	6.00				
GUPM100110-075	GUP	110.00	100.00	7.50	8.50				
GUPM100110-080	GUP	110.00	100.00	8.00	9.00				
GUPM098112-090	GUP	112.00	98.00	9.00	10.00			RF232A	UHS 98
PUPM112098-090	PUP	112.00	98.00	9.00	10.00				
GUPM100112-090	GUP	112.00	100.00	9.00	10.00				
GURM085115-150	GUR	115.00	85.00	15.00	16.50				
GUPM090115-120	GUP	115.00	90.00	12.00	13.00				
GUPM090115-150	GUP	115.00	90.00	15.00	16.00				
GUPM090115-185	GUP	115.00	90.00	18.50	20.00				
GURM095115-100	GUR	115.00	95.00	10.00	11.50				
PUPM115095-120	PUP	115.00	95.00	12.00	13.00				
GUPM095115-120	GUP	115.00	95.00	12.00	13.00			RF231A	UN 95



PART N°	PROFILE	HOUSING DIMENSIONS				STEP L	STEP D	REFERENCE N°	ALTERNATE REFERENCE
		ØD	Ød	SH	L1				
MDWM115095-140R	MDW	115.00	95.00	14.00	14.50	6.35	109.90		
MDWM115095-140R	MDW	115.00	95.00	14.00	14.50				
GUPM095115-150	GUP	115.00	95.00	15.00	16.00				
PUPM115100-060	PUP	115.00	100.00	6.00	7.00				
GUPM100115-075	GUP	115.00	100.00	7.50	8.30				
GURM100115-090H	GUR	115.00	100.00	9.00	10.00				
GUPM100115-090	GUP	115.00	100.00	9.00	10.00			RF233A	UHS 100
GUPM100115-110	GUP	115.00	100.00	11.00	12.00				
SRFM100115-120	SRF	115.00	100.00	12.00	12.50			RK190A	
GUPM100115-120	GUP	115.00	100.00	12.00	13.00				
GUPM100115-130	GUP	115.00	100.00	13.00	14.00			R30889	
SRFM107115-080	SRF	115.00	107.00	8.00	9.00				
GUPM090120-150	GUP	120.00	90.00	15.00	16.00				
GURM090120-150	GUR	120.00	90.00	15.00	16.50				
GUPM095120-120	GUP	120.00	95.00	12.00	13.00				
KYBM120098-145	KYB	120.00	98.00	12.00	13.00	2.50	111.00	RBE120	
GUPM100120-100	GUP	120.00	100.00	10.00	11.00				
GURM100120-100	GUR	120.00	100.00	10.00	11.50				
GUPM100120-118	GUP	120.00	100.00	11.80	13.00			RF235A	
MDWM120100-120R	MDW	120.00	100.00	12.00	12.50	6.35	114.10		
MDWM120100-125R	MDW	120.00	100.00	12.00	12.50				
PUPM120100-120	PUP	120.00	100.00	12.00	13.00				
GUPM100120-120	GUP	120.00	100.00	12.00	13.00			RUP264	
GUPM100120-150	GUP	120.00	100.00	15.00	17.00				
GURM105120-075	GUR	120.00	105.00	7.50	8.30				
GUPM105120-080	GUP	120.00	105.00	8.00	9.00			RF238A	
DEUM120105-100	DEU	120.00	105.00	10.00	11.00				
GUPM105120-110	GUP	120.00	105.00	11.00	12.00				
GUPM105120-110/1	GUP	120.00	105.00	11.00	12.00				
GUPM105120-145	GUP	120.00	105.00	14.50	16.00			RF239A	
GUPM105120-150	GUP	120.00	105.00	15.00	16.00				
GURM106120-085H	GUR	120.00	106.00	8.50	9.35				
GUPM106120-085	GUP	120.00	106.00	8.50	9.50			RF242A	
GUPM110120-080	GUP	120.00	110.00	8.00	9.00				
PUPM120110-120	PUP	120.00	110.00	12.00	13.00				
GURM095125-150	GUR	125.00	95.00	15.00	16.50				
GURM100125-120	GUR	125.00	100.00	12.00	13.00				
GUPM100125-120	GUP	125.00	100.00	12.00	13.00			RF236A	
GUPM100125-140	GUP	125.00	100.00	14.00	16.00			RF237A	
GUPM100125-150	GUP	125.00	100.00	15.00	17.00				
KYBM125103-145	KYB	125.00	103.00	12.00	13.00	2.50	116.00	RBE125	
DEUM125105-082	DEU	125.00	105.00	8.25	9.50				
MDWM125105-120R	MDW	125.00	105.00	12.00	12.50	6.35	119.15		
MDWM125105-120R	MDW	125.00	105.00	12.00	12.50				
PUPM125105-120	PUP	125.00	105.00	12.00	13.00				



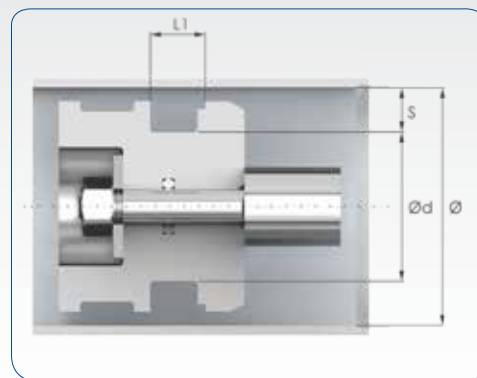
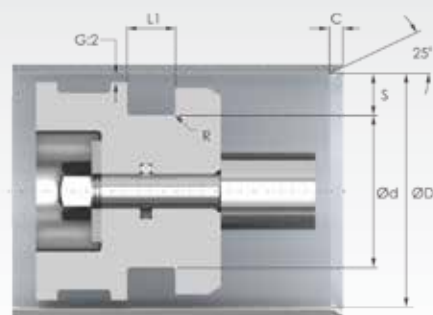
PART N°	PROFILE	HOUSING DIMENSIONS				STEP L	STEP D	REFERENCE N°	ALTERNATE REFERENCE
		ØD	Ød	SH	L1				
GUPM105125-120	GUP	125.00	105.00	12.00	13.00			RF240A	
GURM105125-125	GUR	125.00	105.00	12.50	14.00				
PUPM125105-150	PUP	125.00	105.00	15.00	16.00				
PUPM125105-150	PUP	125.00	105.00	15.00	17.00				
GUPM105125-150	GUP	125.00	105.00	15.00	17.00			RF241A	UN 105
GUPM110125-075	GUP	125.00	110.00	7.50	8.30				
GURM110125-075	GUR	125.00	110.00	7.50	8.30				
DEUM125110-100	DEU	125.00	110.00	10.00	11.00				
PUPM125110-100	PUP	125.00	110.00	10.00	11.00				
GUPM110125-120	GUP	125.00	110.00	12.00	13.00			RF244A	
GUPM110125-150	GUP	125.00	110.00	15.00	17.00				
GURM112125-090H	GUR	125.00	112.00	9.00	10.00				
GUPM112125-090	GUP	125.00	112.00	9.00	10.00			RF247A	UHS 112
GUPM115125-080	GUP	125.00	115.00	8.00	9.00				
GUPM115125-120	GUP	125.00	115.00	12.00	13.00				
GUPM115125-150	GUP	125.00	115.00	15.00	16.00				
GURM106126-150H	GUR	126.00	106.00	15.00	16.00				
GUPM106126-150	GUP	126.00	106.00	15.00	17.00			RF243A	UN 106
GUPM100130-150	GUP	130.00	100.00	15.00	16.00				
GURM100130-150	GUR	130.00	100.00	15.00	17.00				
GUPM100130-180	GUP	130.00	100.00	18.00	19.00				
GUPM105130-180	GUP	130.00	105.00	18.00	19.00				
GUPM107130-150	GUP	130.00	107.00	15.00	16.00				
KYBM130108-145	KYB	130.00	108.00	12.00	13.00	2.50	121.00	RBE130	
GUPM110130-100	GUP	130.00	110.00	10.00	11.00				
GURM110130-100	GUR	130.00	110.00	10.00	11.50				
GUPM110130-115	GUP	130.00	110.00	11.50	12.50			RF2138	
PUPM130110-120	PUP	130.00	110.00	12.00	13.00				
GUPM110130-150	GUP	130.00	110.00	15.00	17.00				
GURM115130-075	GUR	130.00	115.00	7.50	8.30				
GUPM115130-090	GUP	130.00	115.00	9.00	10.00			RF2139	
GUPM115130-100	GUP	130.00	115.00	10.00	11.00				
GUPM115130-110	GUP	130.00	115.00	11.00	12.00				
GUPM117130-100	GUP	130.00	117.00	10.00	11.00				
GUPM118130-100	GUP	130.00	118.00	10.00	11.00				
GUPM120130-070	GUP	130.00	120.00	7.00	8.00				
GUPM120130-130	GUP	130.00	120.00	13.00	15.00			RF252A	
GUPM112132-150	GUP	132.00	112.00	15.00	17.00			RF248A	UN 112
GUPM120132-100	GUP	132.00	120.00	10.00	11.00				
GURM110135-120	GUR	135.00	110.00	12.00	13.50				
GUPM110135-180	GUP	135.00	110.00	18.00	19.00				
GUPM115135-100	GUP	135.00	115.00	10.00	11.00			RUP275	
GUPM115135-150	GUP	135.00	115.00	15.00	17.00			RUP275	
GUPM120135-090	GUP	135.00	120.00	9.00	10.00				
GUPM120135-123	GUP	135.00	120.00	12.30	13.30				



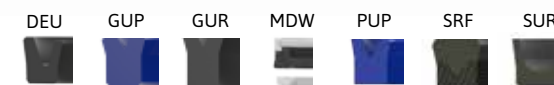
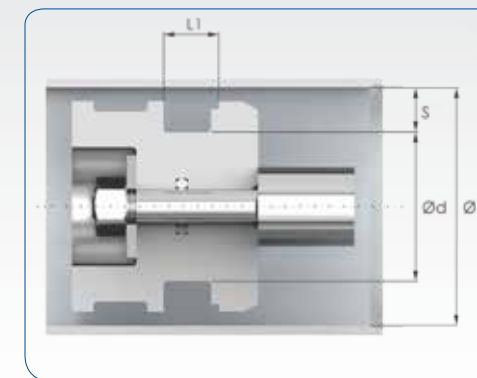
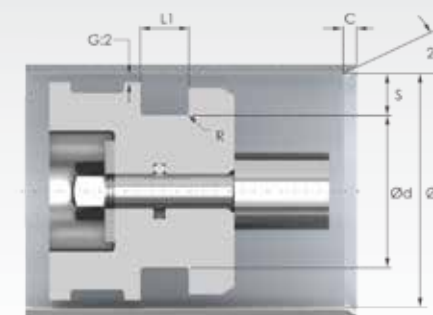
PART N°	PROFILE	HOUSING DIMENSIONS				STEP L	STEP D	REFERENCE N°	ALTERNATE REFERENCE
		ØD	Ød	SH	L1				
GUPM120135-150	GUP	135.00	120.00	15.00	16.00				
GURM110140-150	GUR	140.00	110.00	15.00	16.50				
GUPM110140-180	GUP	140.00	110.00	18.00	19.00				
GUPM115140-180	GUP	140.00	115.00	18.00	19.00				
KYBM140118-145	KYB	140.00	118.00	12.00	13.00	2.50	131.00	RBE140	
GUPM120140-100	GUP	140.00	120.00	10.00	11.00				
GURM120140-100	GUR	140.00	120.00	10.00	11.50				
PUPM140120-120	PUP	140.00	120.00	12.00	13.00				
GUPM120140-140	GUP	140.00	120.00	14.00	16.00			RF254A	
PUPM140120-150	PUP	140.00	120.00	15.00	16.00				
GUPM120140-150	GUP	140.00	120.00	15.00	17.00			RF255A	UN 120
PUPM140120-160	PUP	140.00	120.00	16.00	17.00				
GURM125140-075	GUR	140.00	125.00	7.50	8.50				
GUPM125140-085	GUP	140.00	125.00	8.50	9.50				
GURM125140-090	GUR	140.00	125.00	9.00	10.00				
GUPM125140-090	GUP	140.00	125.00	9.00	10.00			RF256A	UHS 125
PUPM140125-090	PUP	140.00	125.00	9.00	10.00				
DEUM140125-095S	DEU	140.00	125.00	9.50	10.00				
DEUM140125-100	DEU	140.00	125.00	10.00	11.00				
GUPM125140-110	GUP	140.00	125.00	11.00	12.00			RF257A	
PUPM140125-150	PUP	140.00	125.00	15.00	16.00				
GUPM125140-150	GUP	140.00	125.00	15.00	16.00				
GUPM130140-075	GUP	140.00	130.00	7.50	8.50				
GUPM130140-080	GUP	140.00	130.00	8.00	9.00				
GURM115145-120	GUR	145.00	115.00	12.00	13.50				
GUPM120145-180	GUP	145.00	120.00	18.00	19.00				
GUPM125145-100	GUP	145.00	125.00	10.00	11.00				
GUPM125145-150	GUP	145.00	125.00	15.00	17.00			RF259A	UN 125
DEUM145130-100	DEU	145.00	130.00	10.00	11.00				
PUPM145130-100	PUP	145.00	130.00	10.00	11.00				
GUPM132145-085	GUP	145.00	132.00	8.50	9.50				
GUPM120150-150	GUP	150.00	120.00	15.00	16.00				
GURM120150-150	GUR	150.00	120.00	15.00	16.50				
GUPM120150-180	GUP	150.00	120.00	18.00	19.00				
GUPM125150-180	GUP	150.00	125.00	18.00	19.00				
GURM125150-180	GUR	150.00	125.00	18.00	19.50				
KYBM150128-145	KYB	150.00	128.00	12.00	13.00	2.50	141.00	RBE150	
GUPM130150-120	GUP	150.00	130.00	12.00	13.00				
GUPM130150-150	GUP	150.00	130.00	15.00	17.00			RF262A	
PUPM150135-080	PUP	150.00	135.00	8.00	9.00				
DEUM150135-100	DEU	150.00	135.00	10.00	11.00				
GUPM135150-110	GUP	150.00	135.00	11.00	12.00				
GUPM135150-140	GUP	150.00	135.00	14.00	16.00			RF263A	
GUPM135150-150	GUP	150.00	135.00	15.00	16.00				
R97M135150-150	GUP	150.00	135.00	15.00	16.00				

PISTON SEALS SINGLE ACTING METRIC

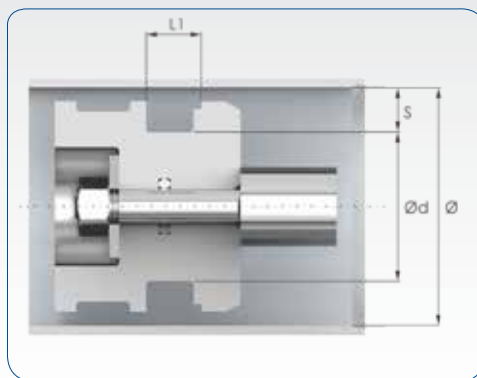
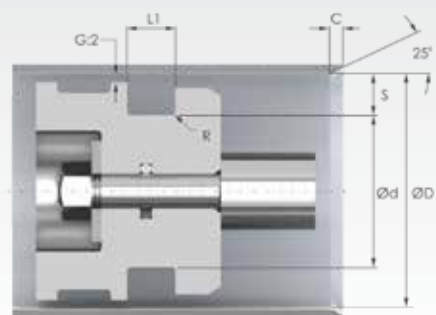
PISTON SEALS SINGLE ACTING METRIC



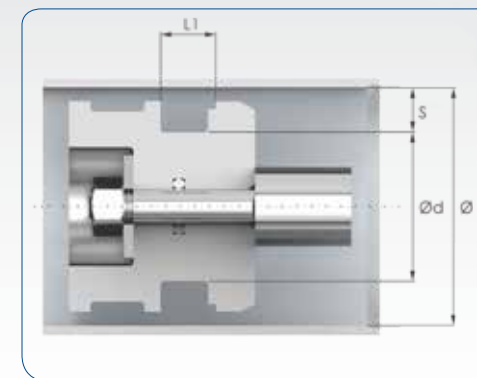
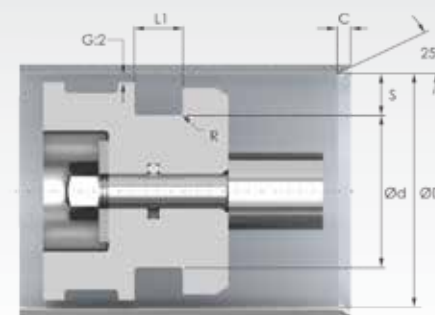
PART N°	PROFILE	HOUSING DIMENSIONS				STEP L	STEP D	REFERENCE N°	ALTERNATE REFERENCE
		ØD	Ød	SH	L1				
GURM136150-090H	GUR	150.00	136.00	8.50	9.50				
GUPM136150-085	GUP	150.00	136.00	8.50	9.50			RF2141	
GUPM136150-090	GUP	150.00	136.00	9.00	10.00			RF265A	
PUPM152130-100	PUP	152.00	130.00	10.00	11.00				
GUPM130152-130	GUP	152.00	130.00	13.00	14.00				
PUPM152130-150	PUP	152.00	130.00	15.00	16.00				
PUPM154138-080	PUP	154.00	138.00	8.00	9.00				
GURM125155-150	GUR	155.00	125.00	15.00	16.50				
GUPM125155-180	GUP	155.00	125.00	18.00	19.00				
GUPM135155-140	GUP	155.00	135.00	14.00	16.00			RF264A	
GURM140155-090H	GUR	155.00	140.00	9.00	10.00				
GUPM140155-090	GUP	155.00	140.00	9.00	10.00			RF267A	UHS 140
GUPM140155-150	GUP	155.00	140.00	15.00	17.00				
GUPM130160-120	GUP	160.00	130.00	12.00	13.00				
GUPM130160-150	GUP	160.00	130.00	15.00	16.00				
GURM130160-150	GUR	160.00	130.00	15.00	16.50				
GUPM130160-180	GUP	160.00	130.00	18.00	19.00				
GUPM130160-190	GUP	160.00	130.00	19.00	21.00				
GURM135160-180	GUR	160.00	135.00	18.00	19.50				
KYBM160138-145	KYB	160.00	138.00	12.00	13.00	2.50	151.00	RBE160	
GUPM140160-080	GUP	160.00	140.00	8.00	9.00				
GUPM140160-100	GUP	160.00	140.00	10.00	11.00				
GURM145160-100	GUR	160.00	140.00	10.00	11.50				
PUPM160140-140	PUP	160.00	140.00	14.00	15.00				
GUPM140160-150	GUP	160.00	140.00	15.00	17.00			RF269A	UN 140
GUPM145160-080	GUP	160.00	145.00	8.00	9.00				
GURM145160-090	GUR	160.00	145.00	9.00	10.00				
GUPM145160-090	GUP	160.00	145.00	9.00	10.00			RF271A	UHS 145
PUPM160145-090	PUP	160.00	145.00	9.00	10.00				
DEUM160145-100	DEU	160.00	145.00	10.00	11.00				
PUPM160145-140	PUP	160.00	145.00	14.00	15.00				
GUPM135165-150	GUP	165.00	135.00	15.00	16.00				
GUPM140165-140	GUP	165.00	140.00	14.00	16.00			RF270A	
GUPM140165-180	GUP	165.00	140.00	18.00	19.00				
GURM140165-180	GUR	165.00	140.00	18.00	19.50				
GUPM145165-140	GUP	165.00	145.00	14.00	16.00			RF272A	
GUPM145165-150	GUP	165.00	145.00	15.00	16.00				
GUPM150165-090	GUP	165.00	150.00	9.00	10.00			RF273A	UHS 150
GUPM150165-110	GUP	165.00	150.00	11.00	12.00				
GURM140170-150	GUR	170.00	140.00	15.00	16.50				
GUPM140170-180	GUP	170.00	140.00	18.00	19.00				
GUPM145170-180	GUP	170.00	145.00	18.00	19.00				
PUPM170145-190	PUP	170.00	145.00	19.00	20.00				
PUPM170148-150	PUP	170.00	148.00	15.00	16.00				
SRFM150170-140	SRF	170.00	150.00	14.00	14.50			RK185A	



PART N°	PROFILE	HOUSING DIMENSIONS				STEP L	STEP D	REFERENCE N°	ALTERNATE REFERENCE
		ØD	Ød	SH	L1				
GUPM150170-140	GUP	170.00	150.00	14.00	16.00			RF274A	
PUPM170150-150	PUP	170.00	150.00	15.00	16.00				
GURM150170-150H	GUR	170.00	150.00	15.00	16.00				
GUPM150170-150	GUP	170.00	150.00	15.00	16.00			RF275A	UN 150
GUPM155170-110	GUP	170.00	155.00	11.00	12.00				
GUPM160170-050	GUP	170.00	160.00	5.00	6.00				
GURM145175-150	GUR	175.00	145.00	15.00	16.50				
GUPM145175-180	GUP	175.00	145.00	18.00	19.00				
GUPM150175-185	GUP	175.00	150.00	18.50	20.50				
PUPM175155-140	PUP	175.00	155.00	14.00	15.00				
GUPM155175-150	GUP	175.00	155.00	15.00	16.00				
GURM160175-090	GUR	175.00	160.00	9.00	10.00				
GURM160175-090H	GUR	175.00	160.00	9.00	10.00				
GUPM160175-090	GUP	175.00	160.00	9.00	10.00			RF2145	
GUPM160175-125	GUP	175.00	160.00	12.50	13.50				
GURM150180-150	GUR	180.00	150.00	15.00	16.50				
GUPM150180-150	GUP	180.00	150.00	15.00	17.00				
SURM150180-155	SUR	180.00	150.00	15.50	17.00				
SURM150180-155V	SUR	180.00	150.00	15.50	17.00				
GUPM150180-180	GUP	180.00	150.00	18.00	19.00				
GUPM155180-120	GUP	180.00	155.00	12.00	13.00				
GUPM155180-150	GUP	180.00	155.00	15.00	16.50			RF2144	
KYBM180158-145	KYB	180.00	158.00	12.00	13.00	2.50	171.00	RBE180	
PUPM180160-090	PUP	180.00	160.00	9.00	10.00				
PUPM180160-120	PUP	180.00	160.00	12.00	13.00				
PUPM180160-140	PUP	180.00	160.00	14.00	15.00				
DEUM180160-140	DEU	180.00	160.00	14.00	17.00				
GUPM160180-145	GUP	180.00	160.00	14.50	16.00			RF276A	
GUPM160180-150	GUP	180.00	160.00	15.00	17.00				
PUPM180160-160	PUP	180.00	160.00	16.00	17.00				
GURM165180-090H	GUR	180.00	165.00	9.00	10.00				
GUPM165180-090	GUP	180.00	165.00	9.00	10.00			RUP302	
PUPM180165-090	PUP	180.00	165.00	9.00	10.00				
GUPM165180-095	GUP	180.00	165.00	9.50	10.50				
GUPM168180-140	GUP	180.00	168.00	14.00	15.00				
GUPM170183-130	GUP	183.00	170.00	13.00	14.00				
GUPM160185-150	GUP	185.00	160.00	15.00	17.00			RF2146	
GUPM165185-150	GUP	185.00	165.00	15.00	16.00				
GURM160190-150	GUR	190.00	160.00	15.00	16.50				
GUPM160190-220	GUP	190.00	160.00	22.00	23.00				
GUPM165190-120	GUP	190.00	165.00	12.00	13.00				
GUPM170190-150	GUP	190.00	170.00	15.00	17.00				
PUPM190170-160	PUP	190.00	170.00	16.00	17.00				
GUPM175190-090	GUP	190.00	175.00	9.00	10.00			RF2150	
GUPM180190-075	GUP	190.00	180.00	7.50	8.50				



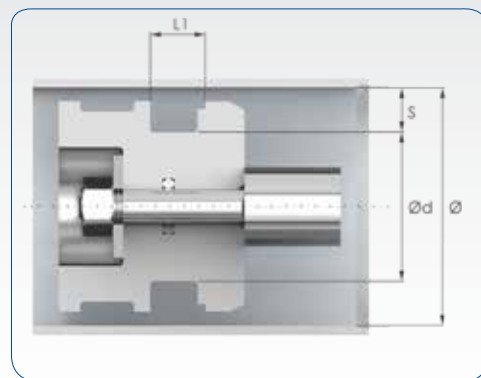
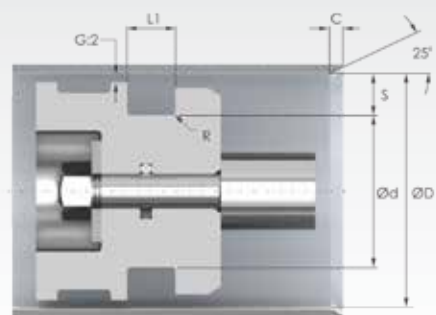
PART N°	PROFILE	HOUSING DIMENSIONS				STEP L	STEP D	REFERENCE N°	ALTERNATE REFERENCE
		ØD	Ød	SH	L1				
GUPM160195-170	GUP	195.00	160.00	17.00	18.00				
GUPM165195-200	GUP	195.00	165.00	20.00	21.00				
GUPM170195-150	GUP	195.00	170.00	15.00	17.00			RF2149	
GUPM175195-150	GUP	195.00	175.00	15.00	16.00				
GUPM180195-110	GUP	195.00	180.00	11.00	12.00				
GUPM185195-120	GUP	195.00	185.00	12.00	13.00				
GURM160200-200	GUR	200.00	160.00	20.00	21.50				
GUPM170200-150	GUP	200.00	170.00	15.00	16.00				
GURM170200-150	GUR	200.00	170.00	15.00	16.50				
GUPM170200-170	GUP	200.00	170.00	17.00	19.00			RF278A	
PUPM200170-180	PUP	200.00	170.00	18.00	19.00				
GUPM170200-220	GUP	200.00	170.00	22.00	23.00				
GUPM175200-120	GUP	200.00	175.00	12.00	13.00				
GUPM175200-140	GUP	200.00	175.00	14.00	16.00			RF1013	
GUPM175200-150	GUP	200.00	175.00	15.00	17.00			RF279A	
GURM175200-160	GUR	200.00	175.00	15.70	17.50				
PUPM200175-160	PUP	200.00	175.00	16.00	17.00				
GUPM175200-190	GUP	200.00	175.00	19.00	20.00				
KYBM200178-145	KYB	200.00	178.00	12.00	13.00	2.50	191.00	RBE200	
GUPM180200-120	GUP	200.00	180.00	12.00	13.00				
GUPM180200-125	GUP	200.00	180.00	12.50	13.50			RF280A	UHS 180
PUPM200180-140	PUP	200.00	180.00	14.00	15.00				
DEUM200180-140	DEU	200.00	180.00	14.00	17.00				
GUPM180200-150	GUP	200.00	180.00	15.00	16.00				
GUPM185200-090	GUP	200.00	185.00	9.00	10.00				
SURM175205-190	SUR	205.00	175.00	19.00	21.00				
GUPM180205-150	GUP	205.00	180.00	15.00	16.00			RF2151	
GUPM180205-181	GUP	205.00	180.00	18.10	20.00			RF2152	
GURM170210-200	GUR	210.00	170.00	20.00	21.50				
GUPM180210-220	GUP	210.00	180.00	22.00	23.00				
GURM180210-220	GUR	210.00	180.00	22.00	23.50				
PUPM210185-160	PUP	210.00	185.00	16.00	17.00				
GUPM190210-120	GUP	210.00	190.00	12.00	13.00			R54206	
GUPM190210-130	GUP	210.00	190.00	13.00	14.00				
GUPM190210-150	GUP	210.00	190.00	15.00	17.00				
GUPM175215-200	GUP	215.00	175.00	20.00	21.00				
GUPM190215-150	GUP	215.00	190.00	15.00	17.00			R88301	
GUPM190215-190	GUP	215.00	190.00	19.00	20.00				
GUPM195215-130	GUP	215.00	195.00	13.00	14.00				
GURM180220-200	GUR	220.00	180.00	20.00	21.50				
GUPM190220-150	GUP	220.00	190.00	15.00	16.00				
GURM190220-150	GUR	220.00	190.00	15.00	16.50				
GUPM190220-250	GUP	220.00	190.00	25.00	26.00				
PUPM220195-160	PUP	220.00	195.00	16.00	17.00				
GUPM200220-120	GUP	220.00	200.00	12.00	13.00			RF2153	



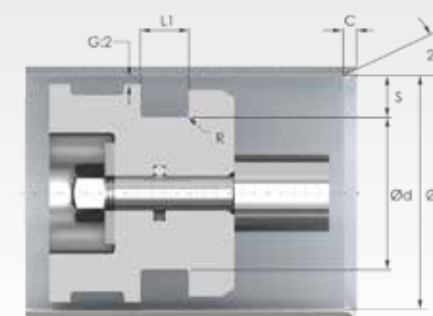
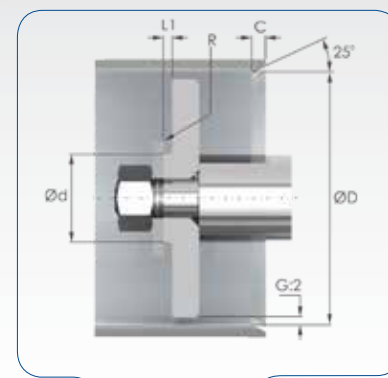
PART N°	PROFILE	HOUSING DIMENSIONS				STEP L	STEP D	REFERENCE N°	ALTERNATE REFERENCE
		ØD	Ød	SH	L1				
DEUM220200-140	DEU	220.00	200.00	14.00	17.00				
GUPM200220-145	GUP	220.00	200.00	14.50	16.00			RF282A	
GUPM200220-150	GUP	220.00	200.00	15.00	16.00				
PUPM220200-150	PUP	220.00	200.00	15.00	16.00				
GURM204224-120H	GUR	224.00	204.00	12.00	13.00				
GUPM190225-300	GUP	225.00	190.00	30.00	31.00				
GURM195225-150	GUR	225.00	195.00	15.00	16.50				
GUPM200225-150	GUP	225.00	200.00	15.00	17.00			RF2154	
GURM200230-150	GUR	230.00	200.00	15.00	16.50				
GUPM200230-180	GUP	230.00	200.00	18.00	19.00				
GUPM200230-220	GUP	230.00	200.00	22.00	23.00				
GURM200230-220	GUR	230.00	200.00	22.00	23.00				
GURM210230-120H	GUR	230.00	210.00	12.00	13.00				
GUPM210230-150	GUP	230.00	210.00	15.00	16.00				
GUPM200235-200	GUP	235.00	200.00	20.00	21.00				
GUPM210235-180	GUP	235.00	210.00	18.00	20.00			RF2156	
GUPM200240-200	GUP	240.00	200.00	20.00	21.00				
GURM200240-200	GUR	240.00	200.00	20.00	21.50				
GUPM210240-180	GUP	240.00	210.00	18.00	20.00				
GUPM225242-110	GUP	242.00	225.00	11.00	12.00				
GUPM215245-180	GUP	245.00	215.00	18.00	19.00				
GURM210250-200	GUR	250.00	210.00	20.00	21.50				
GUPM220250-150	GUP	250.00	220.00	15.00	16.00				
GUPM220250-180	GUP	250.00	220.00	18.00	19.00				
GUPM220250-172	GUP	250.00	220.00	18.00	19.00			RF284A	
GUPM220250-200	GUP	250.00	220.00	20.00	21.00				
GUPM225250-120	GUP	250.00	225.00	12.00	13.00				
GUPM225250-150	GUP	250.00	225.00	15.00	16.00				
GUPM225250-182	GUP	250.00	225.00	18.20	19.20				
GUPM230250-120	GUP	250.00	230.00	12.00	13.00			RF2158	
PUPM250230-140	PUP	250.00	230.00	14.00	15.00				
DEUM250230-140	DEU	250.00	230.00	14.00	17.00				
PUPM250230-150	PUP	250.00	230.00	15.00	16.00				
GUPM230250-150	GUP	250.00	230.00	15.00	17.00				
PUPM250238-140	PUP	250.00	238.00	14.00	15.00				
GUPM230255-180	GUP	255.00	230.00	18.00	20.00				
GUPM235255-120	GUP	255.00	235.00	12.00	13.00				
GURM220260-200	GUR	260.00	220.00	20.00	21.50				
GUPM230260-180	GUP	260.00	230.00	18.00	19.00				
PUPM260235-160	PUP	260.00	235.00	16.00	17.00				
GUPM240260-120	GUP	260.00	240.00	12.00	13.00			RF2159	
GUPM240260-150	GUP	260.00	240.00	14.50	16.00				
GUPM240260-160	GUP	260.00	240.00	16.00	17.00				
PUPM260240-160	PUP	260.00	240.00	16.00	17.00				
GUPM240260-170	GUP	260.00	240.00	17.00	18.00				

PISTON SEALS SINGLE ACTING METRIC

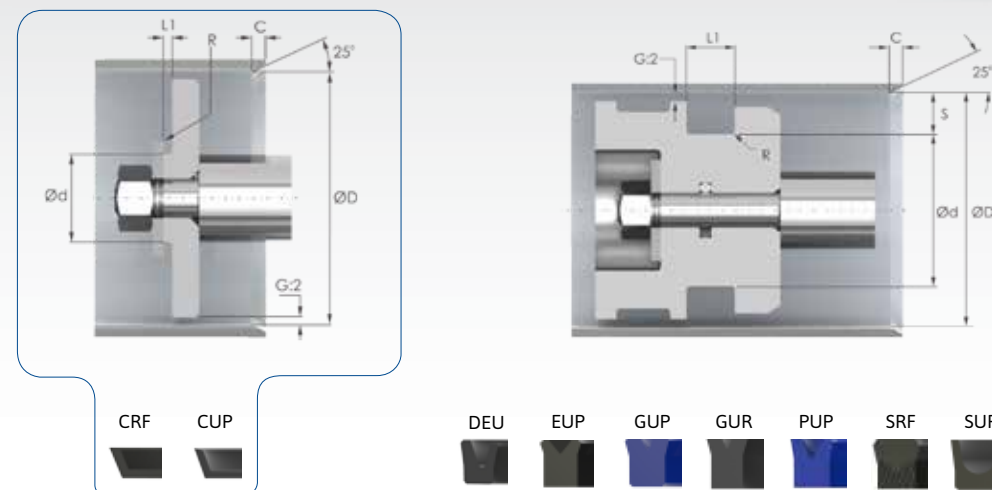
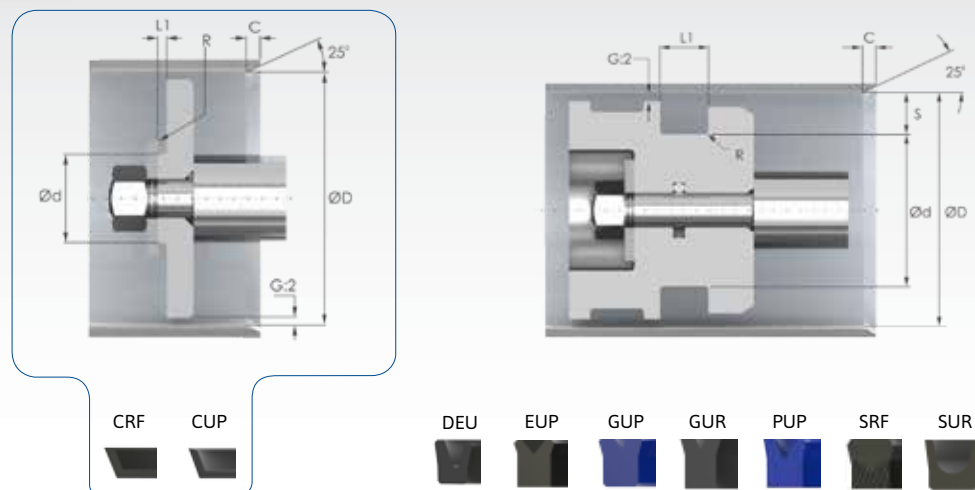
PISTON SEALS SINGLE ACTING IMPERIAL



PART N°	PROFILE	HOUSING DIMENSIONS				STEP L	STEP D	REFERENCE N°	ALTERNATE REFERENCE
		ØD	Ød	SH	L1				
GUPM240265-180	GUP	265.00	240.00	18.00	19.00			RF2160	
GURM230270-200	GUR	270.00	230.00	20.00	21.50				
GUPM240270-180	GUP	270.00	240.00	18.00	19.00				
GUPM250270-150	GUP	270.00	250.00	15.00	17.00				
GUPM245275-180	GUP	275.00	245.00	18.00	19.00				
GUPM250275-190	GUP	275.00	250.00	19.00	20.00				
GURM240280-200	GUR	280.00	240.00	20.00	21.50				
PUPM280245-190	PUP	280.00	245.00	19.00	20.00				
GUPM250280-180	GUP	280.00	250.00	18.00	19.00				
PUPM280250-180	PUP	280.00	250.00	18.00	19.00				
GUPM250280-220	GUP	280.00	250.00	22.00	25.00				
GUPM260280-150	GUP	280.00	260.00	15.00	17.00				
GURM250290-200	GUR	290.00	250.00	20.00	21.50				
GUPM260290-150	GUP	290.00	260.00	15.00	16.00				
GUPM260290-180	GUP	290.00	260.00	18.00	20.00			RF2162	
GURM260300-200	GUR	300.00	260.00	20.00	21.50				
PUPM300270-120	PUP	300.00	270.00	12.00	13.00				
GUPM270300-140	GUP	300.00	270.00	14.00	16.00			RF285A	
GUPM270300-180	GUP	300.00	270.00	18.00	20.00			RF2164	
GUPM270300-190	GUP	300.00	270.00	19.00	20.00				
GURM270300-220	GUR	300.00	270.00	22.00	23.50				
GUPM280300-146	GUP	300.00	280.00	14.60	16.00				
GUPM280300-150	GUP	300.00	280.00	15.00	16.00				
PUPM300288-140	PUP	300.00	288.00	14.00	15.00				
PUPM310278-180	PUP	310.00	278.00	18.00	19.00				
GURM280320-200	GUR	320.00	280.00	20.00	21.50				
GUPM290320-180	GUP	320.00	290.00	18.00	20.00			RF2166	
PUPM320290-200	PUP	320.00	290.00	20.00	21.00				
PUPM320295-180	PUP	320.00	295.00	18.00	19.00				
GUPM300330-180	GUP	330.00	300.00	18.00	20.00			RF2167	
GURM300340-200	GUR	340.00	300.00	20.00	21.50				
GUPM320340-150	GUP	340.00	320.00	15.00	17.00				
GURM310350-200	GUR	350.00	310.00	20.00	21.50				
GURM320350-220	GUR	350.00	320.00	22.00	23.50				
GURM320360-200	GUR	360.00	320.00	20.00	21.50				
PUPM360320-230	PUP	360.00	320.00	23.00	24.00				
PUPM360330-200	PUP	360.00	330.00	20.00	21.00				
GURM340380-200	GUR	380.00	340.00	20.00	21.50				
PUPM380345-200	PUP	380.00	345.00	20.00	21.00				
PUPM380350-260	PUP	380.00	350.00	26.00	27.00				
GURM350400-250	GUR	400.00	350.00	25.00	26.50				
PUPM430400-260	PUP	430.00	400.00	26.00	27.00				
GURM400450-250	GUR	450.00	400.00	25.00	26.50				
PUPM450420-220	PUP	450.00	420.00	22.00	23.00				
GURM450500-250	GUR	500.00	450.00	25.00	26.50				

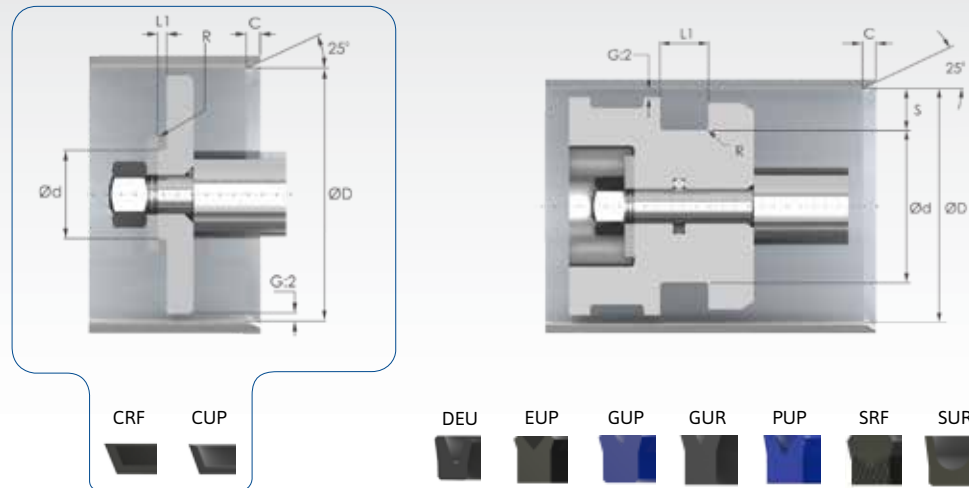


PART N°	PROFILE	HOUSING DIMENSIONS				REFERENCE N°	ALTERNATIVE REFERENCE N°
		ØD	Ød	SH	L1		
CUPI025006-125	CUP	0.250	0.063	0.125	0.063	R69650	
SURI012031-094	SUR	0.312	0.125	0.094	0.125		
GURI012031-094	GUR	0.312	0.125	0.094	0.156		
CUPI031013-125	CUP	0.312	0.125	0.125	0.063	R69651	
EUPI012037-125A	EUP	0.375	0.125	0.125	0.138		
EUPI012037-125B	EUP	0.375	0.125	0.125	0.138	RMD002	
SURI012037-125	SUR	0.375	0.125	0.125	0.138	R30589	
DEUI037012-156	DEU	0.375	0.125	0.156	0.219	RF5162	DE037
EUPI012037-250B	EUP	0.375	0.125	0.250	0.275	RMD1015	
GURI018037-094	GUR	0.375	0.187	0.094	0.156		
CUPI037019-125	CUP	0.375	0.187	0.125	0.063	R69652	
CUPI043015-250	CUP	0.437	0.156	0.250	0.093	R01129	S1004
EUPI018043-125A	EUP	0.437	0.187	0.125	0.138	RMD005A	
EUPI018043-125B	EUP	0.437	0.187	0.125	0.138	RMD005	
SURI018043-125	SUR	0.437	0.187	0.125	0.138	R30590	
DEUI043018-156	DEU	0.437	0.187	0.156	0.219	RF5163	DE043
EUPI018043-250B	EUP	0.437	0.187	0.250	0.275	RMD1016	
GURI025043-094	GUR	0.437	0.250	0.094	0.156		
GURI025043-125	GUR	0.437	0.250	0.125	0.177		
CUPI050000-250	CUP	0.500	0.000	0.250	0.094	R69654	
CRFI050000-312	CRF	0.500	0.000	0.312	0.062	R07261	S4095
CUPI050009-375	CUP	0.500	0.000	0.375	0.093	R55840	
CUPI050000-375	CUP	0.500	0.000	0.375	0.094	R69655	
SURI012050-187	SUR	0.500	0.125	0.187	0.212	R00274	SU1
CUPI050025-125	CUP	0.500	0.250	0.125	0.062	R01134	S334
EUPI025050-125A	EUP	0.500	0.250	0.125	0.138	RMD956A	
EUPI025050-125B	EUP	0.500	0.250	0.125	0.138	RMD956	
SURI025050-125	SUR	0.500	0.250	0.125	0.138	R08589	S3389
CUPI050025-188	CUP	0.500	0.250	0.187	0.094	R69656	
PUPI050025-187	PUP	0.500	0.250	0.187	0.207		
DEUI050025-187	DEU	0.500	0.250	0.187	0.250	RF5164	DE050
EUPI025050-250B	EUP	0.500	0.250	0.250	0.275	RMD007	
EUPI025050-375B	EUP	0.500	0.250	0.375	0.413	RMD1017	
SURI031050-094	SUR	0.500	0.312	0.094	0.125	RF5003	
GURI031050-187	GUR	0.500	0.312	0.187	0.250		
EUPI050087-312B	EUP	0.500	0.500	0.312	0.343	R30043	
CUPI056019-188	CUP	0.562	0.187	0.187	0.047	R69657	
SURI018056-187	SUR	0.562	0.187	0.187	0.212	R00275	SU2
EUPI018056-187A	EUP	0.562	0.187	0.187	0.212	RMD1046A	
EUPI018056-187B	EUP	0.562	0.187	0.187	0.212	RMD1046	
EUPI031056-125A	EUP	0.562	0.312	0.125	0.138	RMD008A	
EUPI031056-125B	EUP	0.562	0.312	0.125	0.138	RMD008	
GURI031056-125	GUR	0.562	0.312	0.125	0.138		
SURI031056-125	SUR	0.562	0.312	0.125	0.138	R51011	SU44
DEUI056031-187	DEU	0.562	0.312	0.187	0.250	RF5165	DE056

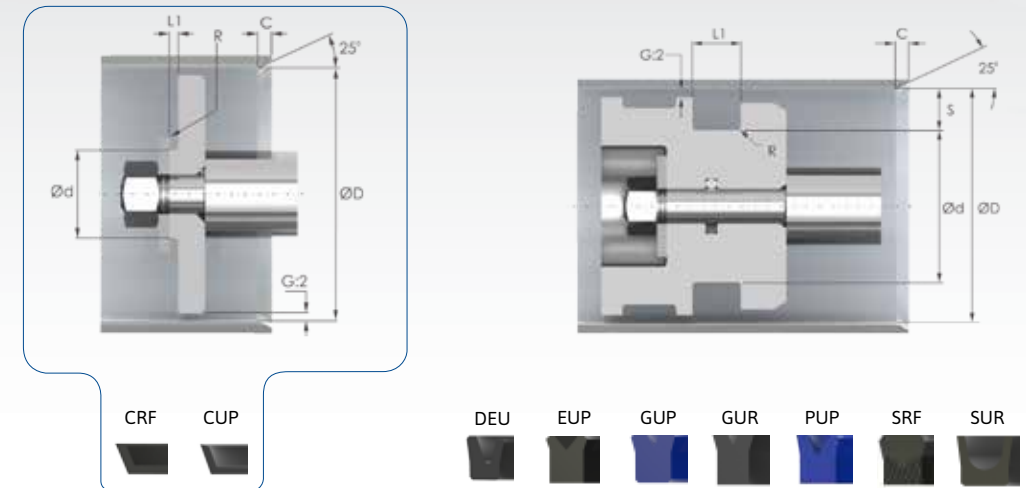


PART N°	PROFILE	HOUSING DIMENSIONS				REFERENCE N°	ALTERNATIVE REFERENCE N°
		ØD	Ød	SH	L1		
GUPI031056-250	GUP	0.562	0.312	0.250	0.275		
EUPI031056-250B	EUP	0.562	0.312	0.250	0.275	RMD957	
CRFI062000-281	CRF	0.625	0.000	0.281	0.093	R89463	
CUPI062000-281	CUP	0.625	0.000	0.281	0.093	R00665	S1273
CUPI062000-375	CUP	0.625	0.000	0.375	0.093	R88460	
CUPI062000-375/1	CUP	0.625	0.000	0.375	0.094	R69658	
CUPI062000-500	CUP	0.625	0.000	0.500	0.094	R69659	
SUPI062022-250	CUP	0.625	0.219	0.250	0.094	R69660	
SURI025062-187	SUR	0.625	0.250	0.187	0.212	R00276	SU3
EUPI025062-187A	EUP	0.625	0.250	0.187	0.212	RMD092A	
EUPI025062-187B	EUP	0.625	0.250	0.187	0.212	RMD092	
EUPI025062-312A	EUP	0.625	0.250	0.312	0.343		
EUPI031062-142B	EUP	0.625	0.312	0.142	0.156	R00072	MU5
DEUI062031-219	DEU	0.625	0.312	0.219	0.281	RF5166	DE062
EUPI031062-232B	EUP	0.625	0.312	0.232	0.255	R00003	L5
EUPI031062-250B	EUP	0.625	0.312	0.250	0.275		
CRFI062031-312	CRF	0.625	0.312	0.312	0.062	R07262	S4091
EUPI037062-125A	EUP	0.625	0.375	0.125	0.138	RMD009A	
EUPI037062-125B	EUP	0.625	0.375	0.125	0.138	RMD009	
GURI037062-125	GUR	0.625	0.375	0.125	0.138		
EUPI037062-187B	EUP	0.625	0.375	0.187	0.212	RMD1018	
GUPI037062-250	GUP	0.625	0.375	0.250	0.275	R30862	
EUPI037062-250B	EUP	0.625	0.375	0.250	0.275	RMD010	
EUPI037062-375B	EUP	0.625	0.375	0.375	0.413	RMD1019	
EUPI018068-187B	EUP	0.687	0.187	0.187	0.212	RMD958	
CUPI068025-250	CUP	0.687	0.250	0.250	0.094	R69661	
SURI031068-187	SUR	0.687	0.312	0.187	0.212	R00277	SU4
EUPI031068-187A	EUP	0.687	0.312	0.187	0.212	RMD093A	
EUPI031068-187B	EUP	0.687	0.312	0.187	0.212	RMD093	
GUPI031068-312	GUP	0.687	0.312	0.312	0.343	RMD1047	
EUPI031068-312B	EUP	0.687	0.312	0.312	0.343	RMD091	
GUPI031068-375	GUP	0.687	0.312	0.375	0.413	RMD1048	
EUPI043068-125A	EUP	0.687	0.437	0.125	0.138	RMD011A	
EUPI043068-125B	EUP	0.687	0.437	0.125	0.138	RMD011	
GURI043068-125	GUR	0.687	0.437	0.125	0.138		
SURI043068-125	SUR	0.687	0.437	0.125	0.138	R86750	
DEUI068043-125	DEU	0.687	0.437	0.125	0.156	R88386	
EUPI043068-250B	EUP	0.687	0.437	0.250	0.275	RMD012	
PUPI069047-125	PUP	0.687	0.474	0.125	0.144		
DEUI068050-125	DEU	0.687	0.500	0.093	0.125	R54583	
CUPI075000-250	CUP	0.750	0.000	0.250	0.094	R69662	
CUPI075000-375	CUP	0.750	0.000	0.375	0.094	R69663	
CUPI075000-500	CUP	0.750	0.000	0.500	0.125	R69664	
CUPI075025-188	CUP	0.750	0.250	0.187	0.094	R69665	
GUPI025075-250	GUP	0.750	0.250	0.250	0.275	RMD1120	

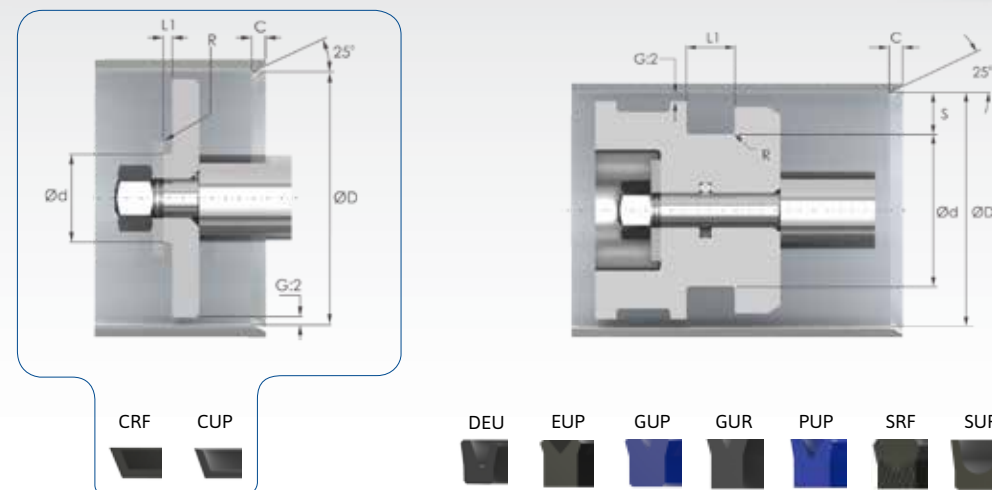
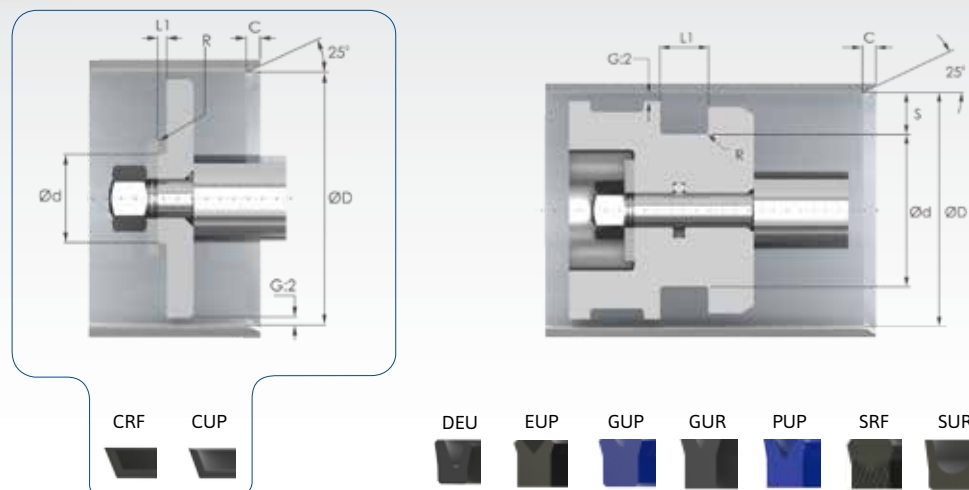
PART N°	PROFILE	HOUSING DIMENSIONS				REFERENCE N°	ALTERNATIVE REFERENCE N°
		ØD	Ød	SH	L1		
SURI025075-250	SUR	0.750	0.250	0.250	0.275	R00281	SU8
EUPI025075-250A	EUP	0.750	0.250	0.250	0.275	RMD220A	
EUPI025075-250B	EUP	0.750	0.250	0.250	0.275	RMD220	
CUPI075025-312	CUP	0.750	0.250	0.312	0.062	R00667	S1160
CRFI075025-375/1	CRF	0.750	0.250	0.375	0.093	R85240	
CRFI075025-375	CRF	0.750	0.250	0.375	0.125	R07264	S4092
EUPI025075-375B	EUP	0.750	0.250	0.375	0.413	RMD1122	
EUPI037075-170B	EUP	0.750	0.375	0.170	0.187	R00073	MU6
SURI037075-187	SUR	0.750	0.375	0.187	0.212	R00278	SU5
EUPI037075-187A	EUP	0.750	0.375	0.187	0.212	RMD096A	
EUPI037075-187B	EUP	0.750	0.375	0.187	0.212	RMD096	
GUPI037075-250	GUP	0.750	0.375	0.250	0.275	RMD094	
EUPI037075-250B	EUP	0.750	0.375	0.250	0.275		
DEUI075037-250	DEU	0.750	0.375	0.250	0.281	RF5167	DE075037
EUPI037075-260B	EUP	0.750	0.375	0.260	0.286	R00004	L6
EUPI037075-312B	EUP	0.750	0.375	0.312	0.340	RMD095	
GUPI037075-312	GUP	0.750	0.375	0.312	0.343	RMD1049	
EUPI043075-156B	EUP	0.750	0.437	0.156	0.180	RMD950	
EUPI043075-187B	EUP	0.750	0.437	0.187	0.212	R09062	
GURI043075-187	GUR	0.750	0.437	0.187	0.250		
EUPI050075-125A	EUP	0.750	0.500	0.125	0.138	RMD013A	
EUPI050075-125B	EUP	0.750	0.500	0.125	0.138	RMD013	
GUPI050075-125	GUP	0.750	0.500	0.125	0.138	R30861	
SURI050075-125	SUR	0.750	0.500	0.125	0.138	R07643	S1023
PUPI075050-125	PUP	0.750	0.500	0.125	0.144		
DEUI075050-125	DEU	0.750	0.500	0.125	0.187	R51633	
GUPI050075-250	GUP	0.750	0.500	0.250	0.275	R30183	
EUPI050075-250B	EUP	0.750	0.500	0.250	0.275	R30041	
EUPI053078-125A	EUP	0.781	0.531	0.125	0.138	RMD1020A	
EUPI053078-125B	EUP	0.781	0.531	0.125	0.138	RMD1020	
CUPI081000-343	CUP	0.812	0.000	0.343	0.062	R01196	S1220
GUPI031081-250	GUP	0.812	0.312	0.250	0.275	RMD1123	
SURI031081-250	SUR	0.812	0.312	0.250	0.275	R00282	SU9
EUPI031081-250A	EUP	0.812	0.312	0.250	0.275		
EUPI031081-250B	EUP	0.812	0.312	0.250	0.275	RMD221	
EUPI043081-170B	EUP	0.812	0.437	0.170	0.187	R00074	MU7
SURI043081-187	SUR	0.812	0.437	0.187	0.212	R00279	SU6
EUPI043081-187A	EUP	0.812	0.437	0.187	0.212	RMD097A	
EUPI043081-187B	EUP	0.812	0.437	0.187	0.212	RMD097	
EUPI043081-260B	EUP	0.812	0.437	0.260	0.286	R00005	L7
EUPI043081-312B	EUP	0.812	0.437	0.312	0.343	RMD1050	
DEUI081043-250	DEU	0.812	0.438	0.250	0.312		
EUPI050081-156A	EUP	0.812	0.500	0.156	0.172	RMD1037A	
EUPI050081-156B	EUP	0.812	0.500	0.156	0.172	RMD1037	
DEUI081050-156	DEU	0.812	0.500	0.156	0.187		



PART N°	PROFILE	HOUSING DIMENSIONS				REFERENCE N°	ALTERNATIVE REFERENCE N°
		ØD	Ød	SH	L1		
GURIO50081-219	GUR	0.812	0.500	0.219	0.281		
EUI056081-125A	EUP	0.812	0.562	0.125	0.138	RMD015A	
EUI056081-125B	EUP	0.812	0.562	0.125	0.138	RMD015	
EUI056081-250B	EUP	0.812	0.562	0.250	0.275	RMD016	
PUI081056-250	PUP	0.812	0.562	0.250	0.290		
DEUI081056-250	DEU	0.812	0.562	0.260	0.312	R86700	
CUPI081031-250	CUP	0.813	0.313	0.250	0.094	R69666	
CUPI087000-375/1	CUP	0.875	0.000	0.375	0.094	R69669	
CUPI087000-375	CUP	0.875	0.000	0.375	0.094	R69668	
CUPI087025-312	CUP	0.875	0.250	0.312	0.062	R00668	S833
CRFI087031-281	CRF	0.875	0.312	0.281	0.093	R07265	S3665
CUPI087038-250	CUP	0.875	0.375	0.250	0.125	R69667	
GUPI037087-250	GUP	0.875	0.375	0.250	0.275	RMD1124	
SURIO37087-250	SUR	0.875	0.375	0.250	0.275	R00283	SU10
EUI037087-250A	EUP	0.875	0.375	0.250	0.275	RMD222A	
EUI037087-250B	EUP	0.875	0.375	0.250	0.275	RMD222	
CUPI087044-250	CUP	0.875	0.437	0.250	0.125	R69670	
EUI050087-170A	EUP	0.875	0.500	0.170	0.187	R00075A	
EUI050087-170B	EUP	0.875	0.500	0.170	0.187	R00075	MU8
GURIO50087-187	GUR	0.875	0.500	0.187	0.212		
SURIO50087-187	SUR	0.875	0.500	0.187	0.212	R00280	SU7
EUI050087-187A	EUP	0.875	0.500	0.187	0.212		
EUI050087-187B	EUP	0.875	0.500	0.187	0.212	RMD099	
GUPI050087-197	GUP	0.875	0.500	0.197	0.218	R30184	
EUI050087-250B	EUP	0.875	0.500	0.250	0.275	R30042	
PUI088050-250	PUP	0.875	0.500	0.250	0.290		
DEUI087050-250	DEU	0.875	0.500	0.250	0.313	RF5169	DE087
EUI050087-260B	EUP	0.875	0.500	0.260	0.286	R00006	L8
SRFI050087-281	SRF	0.875	0.500	0.281	0.300	R30463	
EUI050087-281B	EUP	0.875	0.500	0.281	0.309		
EUI062087-125A	EUP	0.875	0.625	0.125	0.138	RMD018A	
EUI062087-125B	EUP	0.875	0.625	0.125	0.138	RMD018	
SURIO62087-125	SUR	0.875	0.625	0.125	0.156	RF5008	
EUI062087-156B	EUP	0.875	0.625	0.156	0.172	R09070	MU574
SRFI062087-187	SRF	0.875	0.625	0.187	0.202	R30464	
EUI062087-187B	EUP	0.875	0.625	0.187	0.212	RMD017	
EUI062087-250B	EUP	0.875	0.625	0.250	0.275	RMD019	
CUPI093044-250	CUP	0.937	0.437	0.250	0.125	R69671	
SURIO43093-250	SUR	0.937	0.437	0.250	0.275	R00284	SU11
EUI043093-250A	EUP	0.937	0.437	0.250	0.275	RMD223A	
EUI043093-250B	EUP	0.937	0.437	0.250	0.275	RMD223	
EUI043093-375B	EUP	0.937	0.437	0.375	0.413	RMD224	
EUI056093-170A	EUP	0.937	0.562	0.170	0.187	R00076A	
EUI056093-170B	EUP	0.937	0.562	0.170	0.187	R00076	MU9
EUI056093-187B	EUP	0.937	0.562	0.187	0.212		

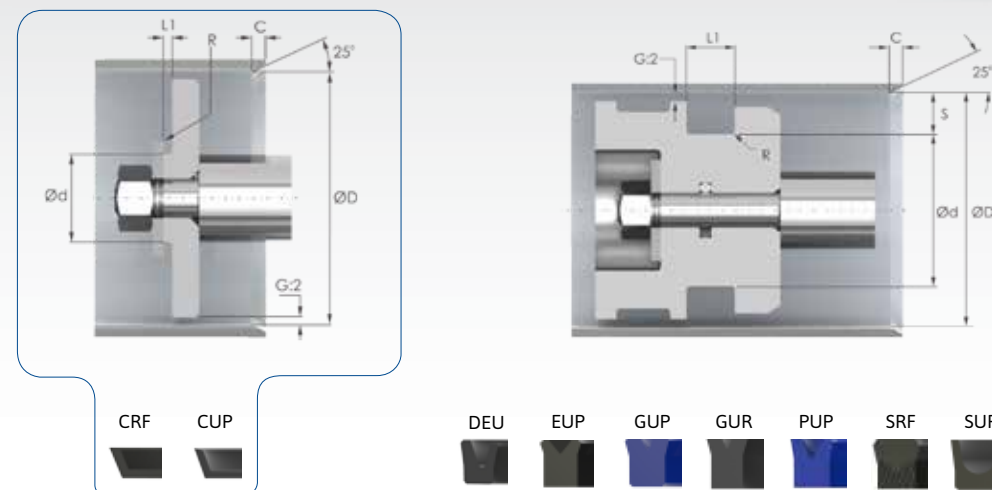
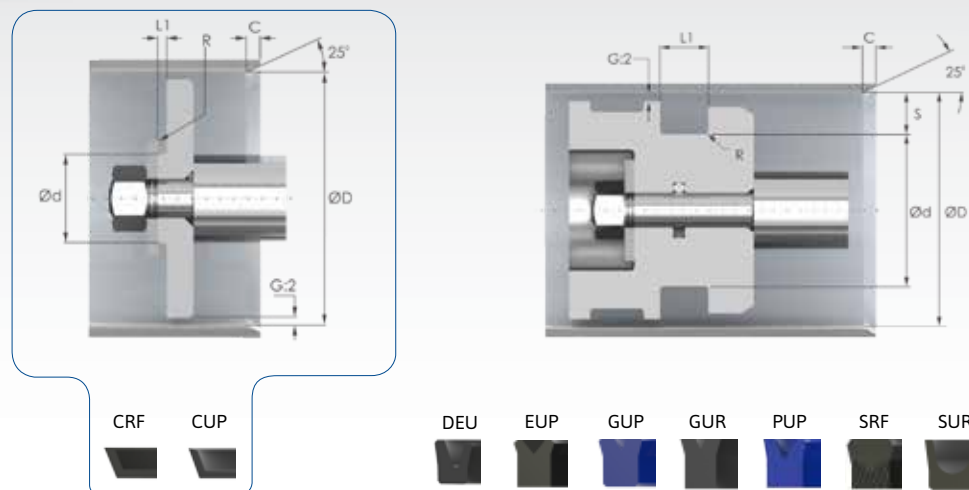


PART N°	PROFILE	HOUSING DIMENSIONS				REFERENCE N°	ALTERNATIVE REFERENCE N°
		ØD	Ød	SH	L1		
GURIO56093-187	GUR	0.937	0.562	0.187	0.250		
EUI056093-312B	EUP	0.937	0.562	0.187	0.340	RMD100	
DEUI093056-250	DEU	0.937	0.562	0.250	0.312	RF5170	DE093056
EUI062093-156A	EUP	0.937	0.625	0.156	0.172	RMD1038A	
EUI062093-156B	EUP	0.937	0.625	0.156	0.172	RMD1038	
EUI068093-125A	EUP	0.937	0.687	0.125	0.138	RMD020A	
EUI068093-125B	EUP	0.937	0.687	0.125	0.138	RMD020	
SURIO68093-125	SUR	0.937	0.687	0.125	0.156	RF5160	
EUI068093-250B	EUP	0.937	0.687	0.250	0.275	RMD021	
CUPI100000-250	CUP	1.000	0.000	0.250	0.063	R69672	
CUPI100000-312	CUP	1.000	0.000	0.312	0.093	R00669	S594
CUPI100000-437	CUP	1.000	0.000	0.437	0.094	R69673	
CUPI100000-500/1	CUP	1.000	0.000	0.500	0.125	R69675	
CUPI100000-500	CUP	1.000	0.000	0.500	0.125	R69674	
CUPI100044-250	CUP	1.000	0.437	0.250	0.094	R69676	
CUPI100050-200	CUP	1.000	0.500	0.200	0.050	R01202	S2263
GUPI050100-250	GUP	1.000	0.500	0.250	0.275	RMD1125	
SURIO50100-250	SUR	1.000	0.500	0.250	0.275	R00285	SU12
EUI050100-250A	EUP	1.000	0.500	0.250	0.275	RMD225A	
EUI050100-250B	EUP	1.000	0.500	0.250	0.275	RMD225	
CRFI100050-312	CRF	1.000	0.500	0.312	0.093	R08742	S2976
CUPI100050-375	CUP	1.000	0.500	0.375	0.093	R03882	S2712
EUI050100-375B	EUP	1.000	0.500	0.375	0.413	RMD226	
EUI062100-170B	EUP	1.000	0.625	0.170	0.187	R00077	MU10
SURIO62100-187	SUR	1.000	0.625	0.187	0.212	R53368	
EUI062100-187A	EUP	1.000	0.625	0.187	0.212	RMD101A	
EUI062100-187B	EUP	1.000	0.625	0.187	0.212	RMD101	
GUPI062100-190	GUP	1.000	0.625	0.190	0.218	R30186	
EUI062100-225B	EUP	1.000	0.625	0.225	0.250	R09125	
EUI062100-250B	EUP	1.000	0.625	0.250	0.275	RMD1051	
GURIO62100-250	GUR	1.000	0.625	0.250	0.312		
DEUI100062-250	DEU	1.000	0.625	0.250	0.312	RF5172	DE100062
EUI062100-260B	EUP	1.000	0.625	0.260	0.286	R00008	L10
SRFI062100-281	SRF	1.000	0.625	0.281	0.300	R30465	
EUI062100-281B	EUP	1.000	0.625	0.281	0.312		
EUI062100-312B	EUP	1.000	0.625	0.312	0.340	RMD102	
EUI062100-375B	EUP	1.000	0.625	0.375	0.413	R09126	L317
EUI068100-187B	EUP	1.000	0.687	0.187	0.225	R09676	MU624
EUI068100-375B	EUP	1.000	0.687	0.375	0.385	R09127	L321
SURIO68100-156	SUR	1.000	0.688	0.156	0.187		
EUI075100-125A	EUP	1.000	0.750	0.125	0.138	RMD912A	
EUI075100-125B	EUP	1.000	0.750	0.125	0.138	RMD912	
GURIO75100-125	GUR	1.000	0.750	0.125	0.138		
GUPI075100-125	GUP	1.000	0.750	0.125	0.138	R30863	
SURIO75100-125	SUR	1.000	0.750	0.125	0.156	RF5011	



PART N°	PROFILE	HOUSING DIMENSIONS				REFERENCE N°	ALTERNATIVE REFERENCE N°
		ØD	Ød	SH	L1		
CUPI100075-187	CUP	1.000	0.750	0.187	0.062	R01205	S407
GUPI075100-187	GUP	1.000	0.750	0.187	0.212	R30864	
EUPI075100-187B	EUP	1.000	0.750	0.187	0.212	RMD022	
GUPI075100-250	GUP	1.000	0.750	0.250	0.275	R30865	
EUPI075100-250B	EUP	1.000	0.750	0.250	0.275	RMD023	
EUPI043106-312A	EUP	1.062	0.437	0.312	0.343	RMD1219A	
EUPI043106-312B	EUP	1.062	0.437	0.312	0.343	RMD1219	
SURI056106-250	SUR	1.062	0.562	0.250	0.275	R00286	SU13
EUPI056106-250A	EUP	1.062	0.562	0.250	0.275	RMD960A	
EUPI056106-250B	EUP	1.062	0.562	0.250	0.275	RMD960	
SRFI056106-375	SRF	1.062	0.562	0.375	0.395		
EUPI056106-375B	EUP	1.062	0.562	0.375	0.413	RMD1126	
EUPI068106-187A	EUP	1.062	0.687	0.187	0.212	RMD109A	
EUPI068106-187B	EUP	1.062	0.687	0.187	0.212	RMD109	
GURI068106-250	GUR	1.062	0.687	0.250	0.281		
PUPI106069-250	PUP	1.062	0.687	0.250	0.290		
DEUI106068-250	DEU	1.062	0.687	0.250	0.312	RF5174	DE106068
GURI068106-281	GUR	1.062	0.687	0.281	0.334		
EUPI068106-312B	EUP	1.062	0.687	0.312	0.343	RMD1052	
EUPI075106-156A	EUP	1.062	0.750	0.156	0.180	RMD870A	
EUPI075106-156B	EUP	1.062	0.750	0.156	0.180	RMD870	
EUPI081106-125A	EUP	1.062	0.812	0.125	0.138		
EUPI081106-125B	EUP	1.062	0.812	0.125	0.138	R30048	
SURI081106-125	SUR	1.062	0.812	0.125	0.156	RF5015	
EUPI081106-250B	EUP	1.062	0.812	0.250	0.275	RMD025	
CUPI106025-250	CUP	1.063	0.250	0.250	0.094	R69677	
SRFI075109-281	SRF	1.093	0.750	0.281	0.300	R58554	
GURI081112-156	GUR	1.120	0.818	0.156	0.187		
CUPI112000-437	CUP	1.125	0.000	0.437	0.094	R69678	
CUPI112000-500	CUP	1.125	0.000	0.500	0.125	R69679	
CRFI112037-500	CRF	1.125	0.375	0.500	0.093	R07175	S1484
EUPI050112-312A	EUP	1.125	0.500	0.312	0.340	RMD383A	
EUPI050112-312B	EUP	1.125	0.500	0.312	0.340	RMD383	
CUPI112056-375	CUP	1.125	0.562	0.375	0.125	R00670	S695
EUPI062112-227B	EUP	1.125	0.625	0.227	0.250	R00078	MU11
GUPI062112-250	GUP	1.125	0.625	0.250	0.275	RMD1127	
SURI062112-250	SUR	1.125	0.625	0.250	0.275	R00287	SU14
EUPI062112-250A	EUP	1.125	0.625	0.250	0.275	RMD227A	
EUPI062112-250B	EUP	1.125	0.625	0.250	0.275	RMD227	
EUPI062112-375B	EUP	1.125	0.625	0.250	0.275	RMD1128	
DEUI112062-312	DEU	1.125	0.625	0.312	0.375	RF5176	DE112062
EUPI062112-345B	EUP	1.125	0.625	0.345	0.380	R00009	L11
GUPI062112-375	GUP	1.125	0.625	0.375	0.413	RMD1129	
GURI068112-219	GUR	1.125	0.687	0.219	0.281		
CUPI112069-250	CUP	1.125	0.687	0.250	0.094	R69680	

PART N°	PROFILE	HOUSING DIMENSIONS				REFERENCE N°	ALTERNATIVE REFERENCE N°
		ØD	Ød	SH	L1		
GUPI075112-187	GUP	1.125	0.750	0.187	0.212	RMD1053	
SURI075112-187	SUR	1.125	0.750	0.187	0.212	R00301	
EUPI075112-187A	EUP	1.125	0.750	0.187	0.212	RMD106A	
EUPI075112-187B	EUP	1.125	0.750	0.187	0.212	RMD106	
GUPI075112-250	GUP	1.125	0.750	0.250	0.275	RMD1054	
EUPI075112-250B	EUP	1.125	0.750	0.250	0.275	R30045	
PUPI113075-250	PUP	1.125	0.750	0.250	0.290		
DEUI112075-250	DEU	1.125	0.750	0.250	0.313	RF5177	DE112
EUPI075112-312B	EUP	1.125	0.750	0.312	0.343	R30046	
EUPI087112-125A	EUP	1.125	0.875	0.125	0.138	RMD026A	
EUPI087112-125B	EUP	1.125	0.875	0.125	0.138	RMD026	
SURI087112-125	SUR	1.125	0.875	0.125	0.156	RF5017	
EUPI087112-187B	EUP	1.125	0.875	0.187	0.212	RMD027	
EUPI087112-250B	EUP	1.125	0.875	0.250	0.275	R30049	
CRFI114062-375	CRF	1.141	0.625	0.375	0.125	R07176	S1899
CUPI119044-313	CUP	1.187	0.437	0.313	0.094	R69681	
CUPI118045-312	CUP	1.187	0.453	0.312	0.093	R01699	S1417
EUPI068118-227B	EUP	1.187	0.687	0.227	0.250	R00079	
SURI068118-250	SUR	1.187	0.687	0.250	0.275	R00288	SU15
EUPI068118-250A	EUP	1.187	0.687	0.250	0.275	RMD1130A	
EUPI068118-250B	EUP	1.187	0.687	0.250	0.275	RMD1130	
DEUI118068-312	DEU	1.187	0.687	0.312	0.375	RF5178	DE118068
EUPI068118-345B	EUP	1.187	0.687	0.345	0.380	R00010	L12
EUPI068118-375B	EUP	1.187	0.687	0.375	0.413	RMD1131	
SURI075118-250	SUR	1.187	0.750	0.250	0.315		
EUPI081118-187A	EUP	1.187	0.812	0.187	0.212	RMD108A	
EUPI081118-187B	EUP	1.187	0.812	0.187	0.212	RMD108	
DEUI118081-250	DEU	1.187	0.812	0.250	0.313	RF5179	DE118
EUPI081118-312B	EUP	1.187	0.812	0.312	0.343	RMD1055	
EUPI087118-187B	EUP	1.187	0.875	0.187	0.212		
EUPI087118-250B	EUP	1.187	0.875	0.250	0.275	R09130	L384
EUPI093118-125A	EUP	1.187	0.937	0.125	0.138	RMD028A	
EUPI093118-125B	EUP	1.187	0.937	0.125	0.138	RMD028	
SURI093118-125	SUR	1.187	0.937	0.125	0.156	RF5019	
EUPI093118-250B	EUP	1.187	0.937	0.250	0.275	RMD029	
EUPI083120-375B	EUP	1.207	0.832	0.375	0.400	R09129	L311
CUPI125000-437	CUP	1.250	0.000	0.437	0.094	R69682	
CUPI125037-375	CUP	1.250	0.375	0.375	0.125	R00671	S744
CUPI125044-250	CUP	1.250	0.437	0.250	0.094	R69683	
EUPI050125-375A	EUP	1.250	0.500	0.375	0.413	RMD1267A	
EUPI050125-375B	EUP	1.250	0.500	0.375	0.413	RMD1267	
CRFI125050-500	CRF	1.250	0.500	0.500	0.125	R07267	S3997
EUPI062125-312A	EUP	1.250	0.625	0.312	0.343	RMD384A	
EUPI062125-312B	EUP	1.250	0.625	0.312	0.343	RMD384	
EUPI075125-227B	EUP	1.250	0.750	0.227	0.250	R00080	MU13



PART N°	PROFILE	HOUSING DIMENSIONS				REFERENCE N°	ALTERNATIVE REFERENCE N°
		ØD	Ød	SH	L1		
GURI075125-250	GUR	1.250	0.750	0.250	0.275		
GUPI075125-250	GUP	1.250	0.750	0.250	0.275	R30188	
SURI075125-250	SUR	1.250	0.750	0.250	0.275	R00289	SU16
EUPI075125-250A	EUP	1.250	0.750	0.250	0.275	RMD231A	
EUPI075125-250B	EUP	1.250	0.750	0.250	0.275	RMD231	
PUPI125075-250	PUP	1.250	0.750	0.250	0.290		
DEUI125075-250	DEU	1.250	0.750	0.250	0.313	RF5180	DE125
EUPI075125-312B	EUP	1.250	0.750	0.312	0.343	RMD1132	
PUPI125075-312	PUP	1.250	0.750	0.312	0.351		
DEUI125075-312	DEU	1.250	0.750	0.312	0.375	R54674	
EUPI075125-345B	EUP	1.250	0.750	0.345	0.380	R00011	L13
EUPI075125-375B	EUP	1.250	0.750	0.375	0.413	RMD1133	
EUPI087125-187A	EUP	1.250	0.875	0.187	0.212	RMD110A	
EUPI087125-187B	EUP	1.250	0.875	0.187	0.212	RMD110	
SURI087125-187	SUR	1.250	0.875	0.187	0.212	R07666	S686
EUPI087125-250B	EUP	1.250	0.875	0.250	0.275	RMD1056	
GUPI087125-312	GUP	1.250	0.875	0.312	0.343	RMD1058	
EUPI087125-312B	EUP	1.250	0.875	0.312	0.343	RMD111	
SRFI087125-375	SRF	1.250	0.875	0.375	0.400		
SURI093125-156	SUR	1.250	0.937	0.156	0.188	RF5020	
EUPI093125-187B	EUP	1.250	0.937	0.187	0.212	RMD1040	
EUPI100125-125A	EUP	1.250	1.000	0.125	0.138	RMD031A	
EUPI100125-125B	EUP	1.250	1.000	0.125	0.138	RMD031	
GUPI100125-125	GUP	1.250	1.000	0.125	0.138		
SURI100125-125	SUR	1.250	1.000	0.125	0.156	RF5023	
EUPI100125-136B	EUP	1.250	1.000	0.136	0.150	R09080	MU586
EUPI100125-156B	EUP	1.250	1.000	0.156	0.172	RMD1021	
EUPI100125-187B	EUP	1.250	1.000	0.187	0.212	RMD030	
GUPI100125-250	GUP	1.250	1.000	0.250	0.275	R30866	
EUPI100125-250B	EUP	1.250	1.000	0.250	0.275	RMD911	
EUPI100125-270B	EUP	1.250	1.000	0.270	0.295	R09132	L313
CRFI128075-375	CRF	1.281	0.750	0.375	0.125	R07177	S1766
DEUI131056-375	DEU	1.312	0.562	0.375	0.438	RF5181	
EUPI068131-312A	EUP	1.312	0.687	0.312	0.343	RMD1220A	
EUPI068131-312B	EUP	1.312	0.687	0.312	0.343	RMD1220	
GURI075131-312	GUR	1.312	0.750	0.312	0.375		
SURI081131-250	SUR	1.312	0.812	0.250	0.275	R00290	SU17
EUPI081131-250A	EUP	1.312	0.812	0.250	0.275	RMD234A	
EUPI081131-250B	EUP	1.312	0.812	0.250	0.275	RMD234	
DEUI131081-312	DEU	1.312	0.812	0.312	0.375	RF5182	DE131081
EUPI081131-375B	EUP	1.312	0.812	0.375	0.413		
EUPI093131-187A	EUP	1.312	0.937	0.187	0.212	RMD112A	
EUPI093131-187B	EUP	1.312	0.937	0.187	0.212	RMD112	
EUPI093131-312B	EUP	1.312	0.937	0.312	0.343	RMD1059	
EUPI100131-156A	EUP	1.312	1.000	0.156	0.172	RMD084A	

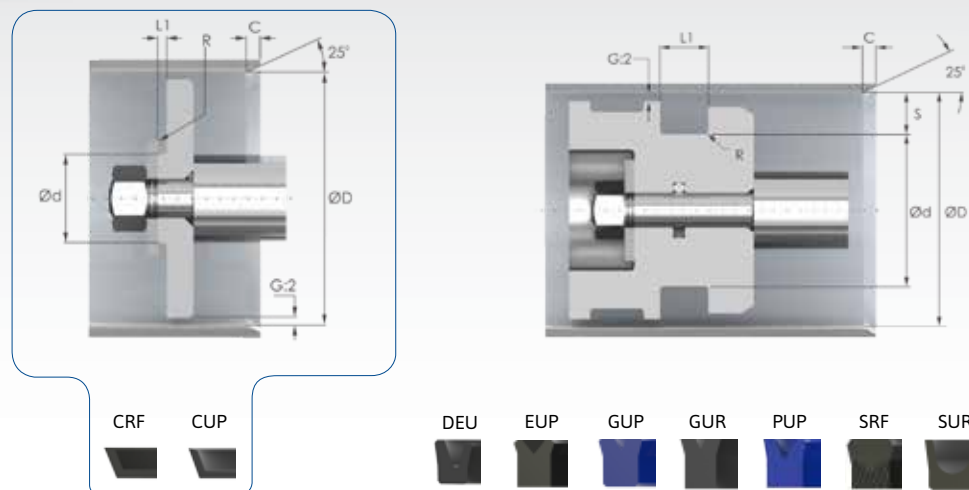
PART N°	PROFILE	HOUSING DIMENSIONS				REFERENCE N°	ALTERNATIVE REFERENCE N°
		ØD	Ød	SH	L1		
EUPI100131-156B	EUP	1.312	1.000	0.156	0.172	RMD084	
SURI100131-156	SUR	1.312	1.000	0.156	0.188	RF5024	
EUPI100131-205B	EUP	1.312	1.000	0.205	0.225	R09211	MU575
EUPI100131-218B	EUP	1.312	1.000	0.218	0.235	RMD969	
EUPI106131-125A	EUP	1.312	1.062	0.125	0.138	RMD032A	
EUPI106131-125B	EUP	1.312	1.062	0.125	0.138	RMD032	
SURI106131-156	SUR	1.312	1.062	0.156	0.187		
EUPI106131-250B	EUP	1.312	1.062	0.250	0.275	RMD033	
CUPI131063-250	CUP	1.313	0.625	0.250	0.094	R69684	
CUPI137000-437	CUP	1.375	0.000	0.437	0.094	RF2911	
CUPI137000-500	CUP	1.375	0.000	0.500	0.125	R69687	
CUPI137038-250	CUP	1.375	0.375	0.250	0.125	R69688	
CRFI137037-375	CRF	1.375	0.375	0.375	0.093	R07268	S3998
CUPI137037-375	CUP	1.375	0.375	0.375	0.125	R00672	S694
EUPI062137-375B	EUP	1.375	0.625	0.375	0.413		
EUPI062137-375A	EUP	1.375	0.625	0.375	0.413	RMD1268	
CUPI137062-440	CUP	1.375	0.625	0.440	0.125	R03889	S2624
CUPI137062-562	CUP	1.375	0.625	0.562	0.125	R03890	S3503
EUPI075137-312A	EUP	1.375	0.750	0.312	0.343	RMD386A	
EUPI075137-312B	EUP	1.375	0.750	0.312	0.343	RMD386	
GURI075137-312	GUR	1.375	0.750	0.312	0.375		
EUPI075137-500B	EUP	1.375	0.750	0.500	0.550	RMD1221	
EUPI087137-227B	EUP	1.375	0.875	0.227	0.250	R00082	MU15
GUPI087137-250	GUP	1.375	0.875	0.250	0.275	R30189	
SURI087137-250	SUR	1.375	0.875	0.250	0.275	R00291	SU18
EUPI087137-250A	EUP	1.375	0.875	0.250	0.275	RMD235A	
EUPI087137-250B	EUP	1.375	0.875	0.250	0.275	RMD235	
PUPI138088-250	PUP	1.375	0.875	0.250	0.290		
DEUI137087-250	DEU	1.375	0.875	0.250	0.313	RF5183	DE137
GUPI087137-312	GUP	1.375	0.875	0.312	0.343	R30878	
EUPI087137-312B	EUP	1.375	0.875	0.312	0.343	RMD237	
DEUI137087-312	DEU	1.375	0.875	0.312	0.375	R55402	
EUPI087137-345B	EUP	1.375	0.875	0.345	0.380		
EUPI087137-375B	EUP	1.375	0.875	0.375	0.413	RMD236	
EUPI100137-187A	EUP	1.375	1.000	0.187	0.212	RMD114A	
EUPI100137-187B	EUP	1.375	1.000	0.187	0.212	RMD114	
GUPI100137-187	GUP	1.375	1.000	0.187	0.212	RMD1061	
SURI100137-187	SUR	1.375	1.000	0.187	0.212	R07668	SU51
EUPI100137-250B	EUP	1.375	1.000	0.250	0.275	RMD115	
GURI100137-250	GUR	1.375	1.000	0.250	0.312		
GUPI100137-312	GUP	1.375	1.000	0.312	0.343	RMD1062	
EUPI100137-312R	EUP	1.375	1.000	0.312	0.343	RMD1063	
EUPI100137-312B	EUP	1.375	1.000	0.312	0.343	R30050	
EUPI100137-375B	EUP	1.375	1.000	0.375	0.413	RMD116	
SURI106137-156	SUR	1.375	1.062	0.156	0.188	RF5027	

PISTON SEALS SINGLE ACTING IMPERIAL

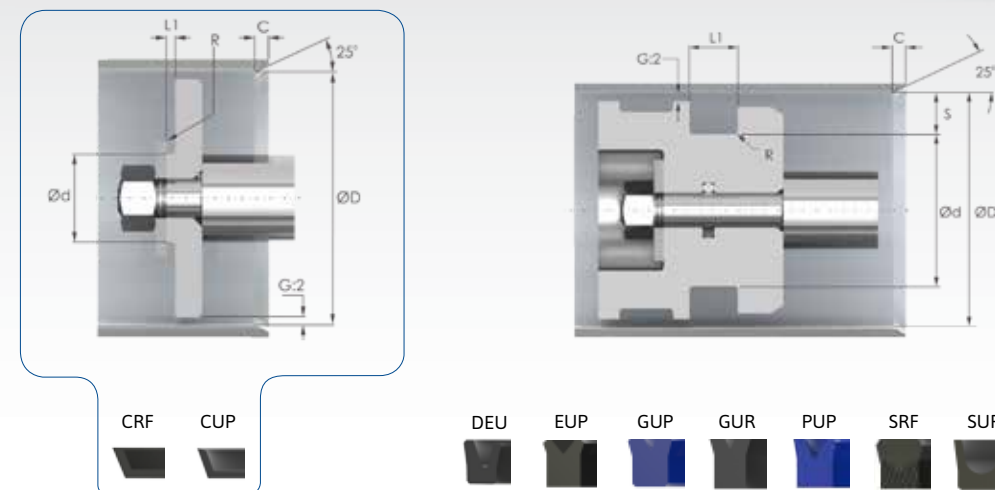
PISTON SEALS SINGLE ACTING IMPERIAL

PISTON SEALS SINGLE ACTING IMPERIAL

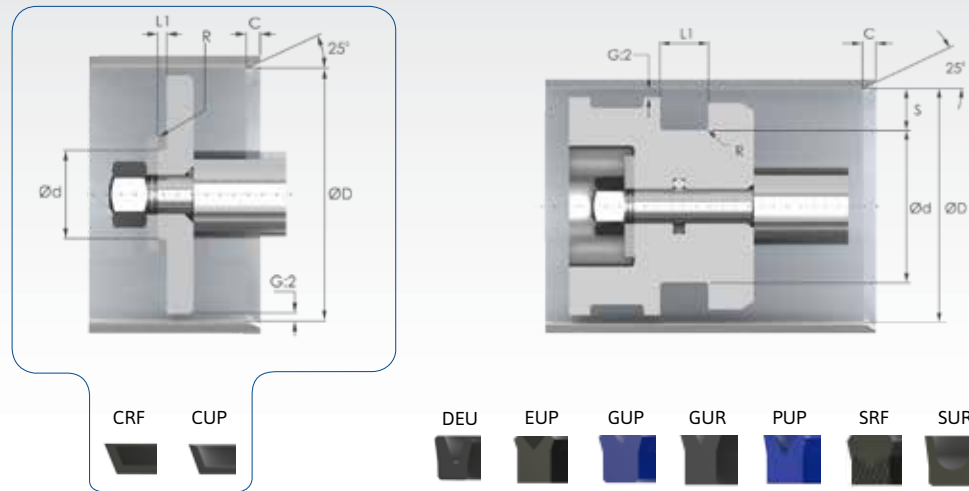
PISTON SEALS SINGLE ACTING IMPERIAL



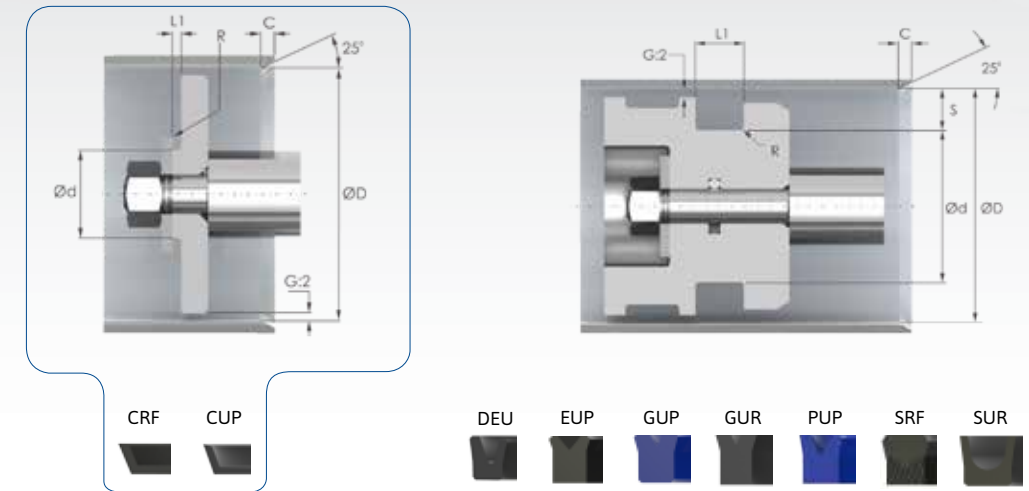
PART N°	PROFILE	HOUSING DIMENSIONS				REFERENCE N°	ALTERNATIVE REFERENCE N°
		ØD	Ød	SH	L1		
EUPI112137-125A	EUP	1.375	1.125	0.125	0.138	RMD908A	
EUPI112137-125B	EUP	1.375	1.125	0.125	0.138	RMD908	
GUPI112137-125	GUP	1.375	1.125	0.125	0.138	R30867	
SURI112137-125	SUR	1.375	1.125	0.125	0.156	RF5029	
EUPI112137-187B	EUP	1.375	1.125	0.187	0.212	RMD034	
GUPI112137-187	GUP	1.375	1.125	0.187	0.212	R30888	
GUPI112137-250	GUP	1.375	1.125	0.250	0.275	R30868	
EUPI112137-250B	EUP	1.375	1.125	0.250	0.275	RMD037	
EUPI112137-312B	EUP	1.375	1.125	0.312	0.343	RMD966	
CUPI143000-375	CUP	1.437	0.000	0.375	0.125	R69689	
CUPI143000-500	CUP	1.437	0.000	0.500	0.125	R69685	
CUPI143038-375	CUP	1.437	0.375	0.375	0.125	R69690	
GURI081143-375	GUR	1.437	0.812	0.375	0.437		
EUPI093143-227B	EUP	1.437	0.937	0.227	0.250	R00083	MU16
GUPI093131-312	GUP	1.437	0.937	0.250	0.275		
GUPI093143-250	GUP	1.437	0.937	0.250	0.275		
SURI093143-250	SUR	1.437	0.937	0.250	0.275	R00292	SU19
EUPI093143-250A	EUP	1.437	0.937	0.250	0.275		
EUPI093143-250B	EUP	1.437	0.937	0.250	0.275	RMD233	
DEUI143093-312	DEU	1.437	0.937	0.312	0.375	RF5184	DE143093
EUPI093143-345B	EUP	1.437	0.937	0.345	0.380	R00014	L16
EUPI093143-375B	EUP	1.437	0.937	0.375	0.413	RMD1135	
PUPI144100-250	PUP	1.437	1.000	0.250	0.290		
DEUI143100-219	DEU	1.437	1.000	0.250	0.313	RF5185	DE143
EUPI106143-187A	EUP	1.437	1.062	0.187	0.212	RMD117A	
EUPI106143-187B	EUP	1.437	1.062	0.187	0.212	RMD117	
EUPI106143-312B	EUP	1.437	1.062	0.312	0.343	RMD118	
EUPI112143-156A	EUP	1.437	1.125	0.156	0.172	RMD972A	
EUPI112143-156B	EUP	1.437	1.125	0.156	0.172	RMD972	
EUPI118143-125A	EUP	1.437	1.187	0.125	0.150	RMD036A	
EUPI118143-125B	EUP	1.437	1.187	0.125	0.150	RMD036	
EUPI118143-187B	EUP	1.437	1.187	0.187	0.205		
EUPI118143-250B	EUP	1.437	1.187	0.250	0.275	RMD038	
CUPI150000-375	CUP	1.500	0.000	0.375	0.094	R69691	
CUPI150000-437	CUP	1.500	0.000	0.437	0.094	R69692	
CUPI150000-500	CUP	1.500	0.000	0.500	0.125	RF2913	
CRFI150000-500	CRF	1.500	0.000	0.500	0.125	R07179	
CUPI150025-500	CUP	1.500	0.250	0.500	0.125	R00673	S396
CUPI150031-500	CUP	1.500	0.312	0.500	0.125	R03891	S396
CRFI150050-500	CRF	1.500	0.500	0.500	0.125	R07269	
CUPI150063-375	CUP	1.500	0.625	0.375	0.125	R69694	
EUPI075150-375A	EUP	1.500	0.750	0.375	0.413	RMD503A	
EUPI075150-375B	EUP	1.500	0.750	0.375	0.413	RMD503	
SURI075150-375	SUR	1.500	0.750	0.375	0.437		
EUPI087150-312A	EUP	1.500	0.875	0.312	0.343	RMD388A	



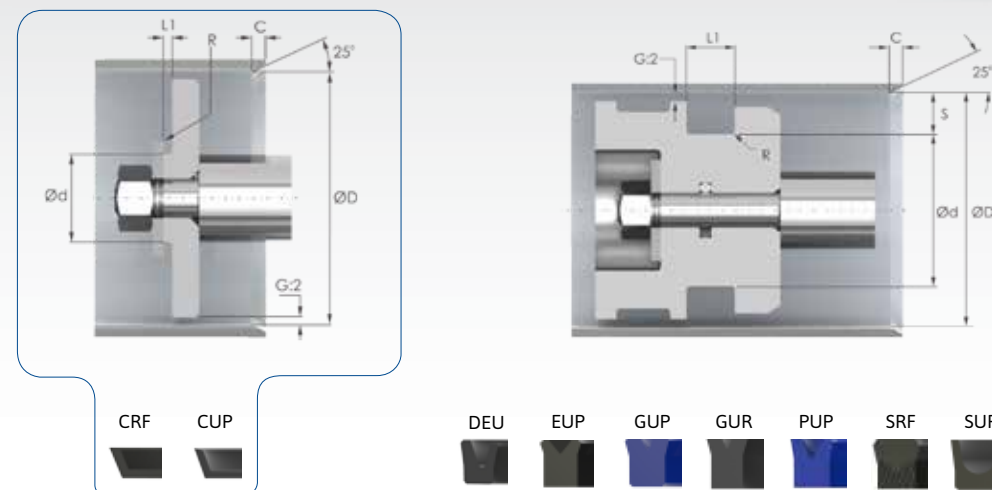
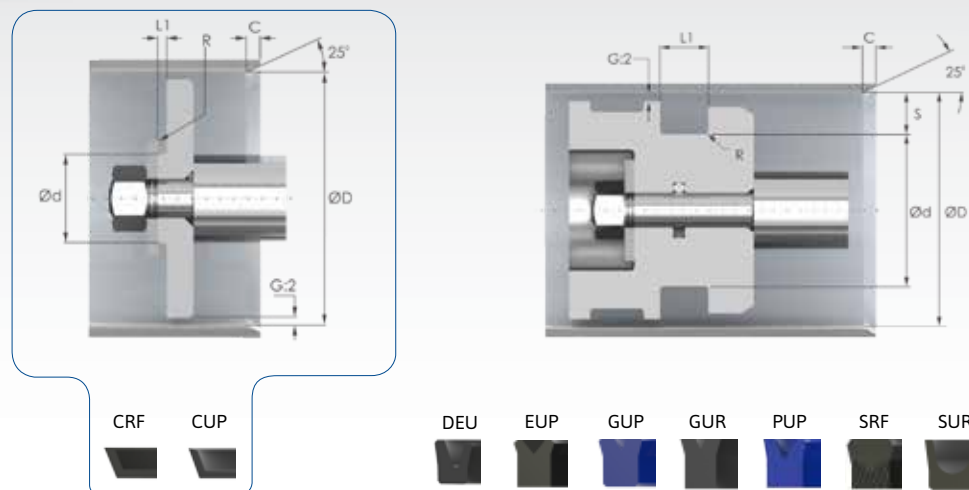
PART N°	PROFILE	HOUSING DIMENSIONS				REFERENCE N°	ALTERNATIVE REFERENCE N°
		ØD	Ød	SH	L1		
EUPI087150-312B	EUP	1.500	0.875	0.312	0.343	RMD388	
GURI087150-312	GUR	1.500	0.875	0.312	0.375		
EUPI100150-227B	EUP	1.500	1.000	0.227	0.250	R00084	MU17
GUPI100150-250	GUP	1.500	1.000	0.250	0.275	R30190	
SURI100150-250	SUR	1.500	1.000	0.250	0.275	R00293	SU20
EUPI100150-250A	EUP	1.500	1.000	0.250	0.275	RMD229A	
EUPI100150-250B	EUP	1.500	1.000	0.250	0.275	RMD229	
EUPI100150-312B	EUP	1.500	1.000	0.312	0.343	RMD1136	
PUPI150100-312	PUP	1.500	1.000	0.312	0.351		
DEUI150100-312	DEU	1.500	1.000	0.312	0.375	R55505	
EUPI100150-345B	EUP	1.500	1.000	0.345	0.380	R00015	L17
GUPI100150-375	GUP	1.500	1.000	0.375	0.413	RMD1137	
EUPI100150-375B	EUP	1.500	1.000	0.375	0.413	RMD230	
EUPI112150-187A	EUP	1.500	1.125	0.187	0.212	RMD120A	
EUPI112150-187B	EUP	1.500	1.125	0.187	0.212	RMD120	
GUPI112150-187	GUP	1.500	1.125	0.187	0.212	R30874	
SURI112150-187	SUR	1.500	1.125	0.187	0.212	R30591	
GUPI112150-250	GUP	1.500	1.125	0.250	0.275	RMD1065	
EUPI112150-250B	EUP	1.500	1.125	0.250	0.275	RMD122	
EUPI112150-281B	EUP	1.500	1.125	0.281	0.290	R09133	L330
EUPI112150-312B	EUP	1.500	1.125	0.312	0.343	RMD121	
GUPI112150-375	GUP	1.500	1.125	0.375	0.413	RMD1066	
EUPI118150-156A	EUP	1.500	1.187	0.156	0.172	RMD086A	
EUPI118150-156B	EUP	1.500	1.187	0.156	0.172	RMD086	
SURI118150-156	SUR	1.500	1.187	0.156	0.187		
EUPI118150-250B	EUP	1.500	1.187	0.250	0.275	RMD1042	
DEUI150118-250	DEU	1.500	1.187	0.250	0.281	R50589	DE 150
EUPI125150-125A	EUP	1.500	1.250	0.125	0.138	RMD040A	
EUPI125150-125B	EUP	1.500	1.250	0.125	0.138	RMD040	
EUPI125150-187B	EUP	1.500	1.250	0.187	0.212	RMD041	
GUPI125150-250	GUP	1.500	1.250	0.250	0.275	R30869	
EUPI125150-250B	EUP	1.500	1.250	0.250	0.275	RMD042	
EUPI125150-312B	EUP	1.500	1.250	0.312	0.343	RMD967	
CUPI156075-250	CUP	1.562	0.750	0.250	0.094	R69695	
GURI093156-312	GUR	1.562	0.937	0.312	0.375		
SURI106156-250	SUR	1.562	1.062	0.250	0.275	R00294	SU21
EUPI106156-250A	EUP	1.562	1.062	0.250	0.275	RMD240A	
EUPI106156-250B	EUP	1.562	1.062	0.250	0.275	RMD240	
DEUI156106-250	DEU	1.562	1.062	0.250	0.281	R88677	
PUPI156106-250	PUP	1.562	1.062	0.250	0.290		
EUPI118156-187A	EUP	1.562	1.187	0.187	0.212	RMD1067A	
EUPI118156-187B	EUP	1.562	1.187	0.187	0.212	R30052	
EUPI118156-250B	EUP	1.562	1.187	0.250	0.275	RMD123	
EUPI118156-312B	EUP	1.562	1.187	0.312	0.343	RMD124	
EUPI118156-375B	EUP	1.562	1.187	0.375	0.413	RMD964	



PART N°	PROFILE	HOUSING DIMENSIONS				REFERENCE N°	ALTERNATIVE REFERENCE N°
		ØD	Ød	SH	L1		
EUPI125156-156A	EUP	1.562	1.250	0.156	0.172	RMD156A	
EUPI125156-156B	EUP	1.562	1.250	0.156	0.172	RMD156	
SURI125156-156	SUR	1.562	1.250	0.156	0.188	RF5032	
EUPI131156-125A	EUP	1.562	1.312	0.125	0.138	RMD1023A	
EUPI131156-125B	EUP	1.562	1.312	0.125	0.138	RMD1023	
GUPI131156-125	GUP	1.562	1.312	0.125	0.138	RMD1024	
EUPI131156-187B	EUP	1.562	1.312	0.187	0.212	RMD1438	
EUPI131156-250B	EUP	1.562	1.312	0.250	0.275	RMD1025	
EUPI131156-375B	EUP	1.562	1.312	0.375	0.400	RMD043	
EUPI100162-375B	EUP	1.620	1.000	0.375	0.413	R30051	
EUPI125162-312B	EUP	1.620	1.250	0.312	0.343	R30053	
CUPI162000-375	CUP	1.625	0.000	0.375	0.094	R69697	
CUPI162000-437	CUP	1.625	0.000	0.437	0.094	R69696	
CUPI162000-500	CUP	1.625	0.000	0.500	0.125	RF2915	
CUPI162000-500/1	CUP	1.625	0.000	0.500	0.125	R69698	
CUPI162050-375	CUP	1.625	0.500	0.375	0.125	R69699	
CRFI162062-625	CRF	1.625	0.625	0.625	0.125	R07270	S4120
CUPI162075-437	CUP	1.625	0.750	0.675	0.125		
EUPI087162-375B	EUP	1.625	0.875	0.375	0.400		
GURI093162-375	GUR	1.625	0.937	0.375	0.437		
EUPI100162-284B	EUP	1.625	1.000	0.284	0.312	R09664	MU18
EUPI100162-312A	EUP	1.625	1.000	0.312	0.343	RMD390A	
EUPI100162-312B	EUP	1.625	1.000	0.312	0.343	RMD390	
DEUI162100-375	DEU	1.625	1.000	0.375	0.437	R55403	
EUPI100162-402B	EUP	1.625	1.000	0.402	0.442	R00016	L18
EUPI100162-500B	EUP	1.625	1.000	0.500	0.550	RMD391	
EUPI112162-245B	EUP	1.625	1.125	0.245	0.270	R09135	MU546
GUPI112162-250	GUP	1.625	1.125	0.250	0.275	RMD1138	
SURI112162-250	SUR	1.625	1.125	0.250	0.275	R00295	SU22
EUPI112162-250A	EUP	1.625	1.125	0.250	0.275	RMD239A	
EUPI112162-250B	EUP	1.625	1.125	0.250	0.275	RMD239	
EUPI112162-312B	EUP	1.625	1.125	0.312	0.343	RMD241	
GURI112162-312	GUR	1.625	1.125	0.312	0.375		
EUPI112162-360B	EUP	1.625	1.125	0.360	0.396		
EUPI112162-375B	EUP	1.625	1.125	0.375	0.413	RMD242	
PUPI163119-250	PUP	1.625	1.187	0.250	0.290		
DEUI162118-250	DEU	1.625	1.187	0.250	0.313	RF5186	DE162
GUPI118162-375	GUP	1.625	1.187	0.375	0.413	RMD1113	
EUPI125162-187A	EUP	1.625	1.250	0.187	0.212	RMD125A	
EUPI125162-187B	EUP	1.625	1.250	0.187	0.212	RMD125	
GUPI125162-187	GUP	1.625	1.250	0.187	0.212	RMD1068	
SURI125162-187	SUR	1.625	1.250	0.187	0.212	R30592	
EUPI125162-220BM	EUP	1.625	1.250	0.220	0.242		
EUPI125162-227B	EUP	1.625	1.250	0.227	0.250	RMD1423	
GUPI125162-250	GUP	1.625	1.250	0.250	0.275	RMD1069	

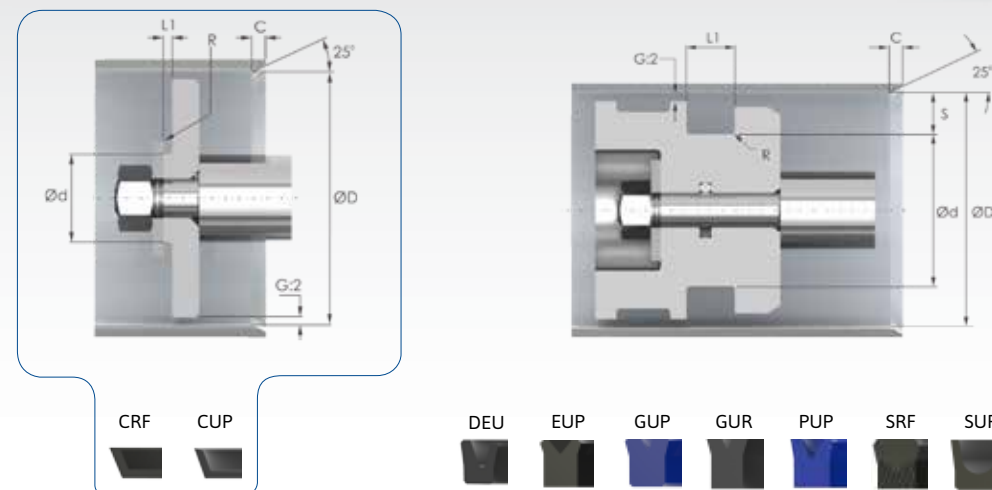
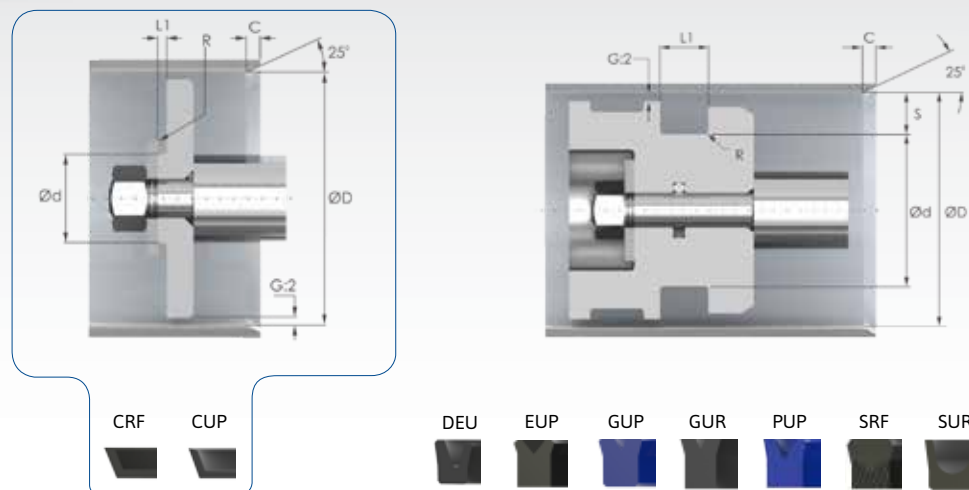


PART N°	PROFILE	HOUSING DIMENSIONS				REFERENCE N°	ALTERNATIVE REFERENCE N°
		ØD	Ød	SH	L1		
EUPI125162-250B	EUP	1.625	1.250	0.250	0.275	RMD126	
EUPI125162-281B	EUP	1.625	1.250	0.281	0.305	R09136	L314
GUPI125162-312	GUP	1.625	1.250	0.312	0.343	RMD1070	
EUPI125162-375B	EUP	1.625	1.250	0.375	0.413	RMD128	
SURI131162-156	SUR	1.625	1.312	0.156	0.188	RF5034	
EUPI137162-125A	EUP	1.625	1.375	0.125	0.138	R30055A	
EUPI137162-125B	EUP	1.625	1.375	0.125	0.138	R30055	
EUPI137162-187B	EUP	1.625	1.375	0.187	0.212	RMD044	
EUPI137162-250B	EUP	1.625	1.375	0.250	0.275	R30056	
EUPI137162-312B	EUP	1.625	1.375	0.312	0.343	RMD1026	
CUPI168063-375	CUP	1.687	0.625	0.375	0.125	R69700	
GURI100168-375	GUR	1.687	1.000	0.375	0.438		
SURI118168-250	SUR	1.687	1.187	0.250	0.275	R00296	SU23
EUPI118168-250A	EUP	1.687	1.187	0.250	0.275	RMD243A	
EUPI118168-250B	EUP	1.687	1.187	0.250	0.275	RMD243	
EUPI118168-375B	EUP	1.687	1.187	0.375	0.413	RMD961	
PUPI169119-375	PUP	1.687	1.187	0.375	0.414		
DEUI168118-375	DEU	1.687	1.187	0.375	0.438	RF5187	DE168
EUPI131168-187A	EUP	1.687	1.312	0.187	0.212	RMD130A	
EUPI131168-187B	EUP	1.687	1.312	0.187	0.212	RMD130	
EUPI131168-312B	EUP	1.687	1.312	0.312	0.343	RMD131	
EUPI137168-156A	EUP	1.687	1.375	0.156	0.172	RMD088A	
EUPI137168-156B	EUP	1.687	1.375	0.156	0.172	RMD088	
SURI137168-156	SUR	1.687	1.375	0.156	0.188	RF5036	
EUPI137168-187B	EUP	1.687	1.375	0.187	0.212	RMD901	
EUPI137168-205B	EUP	1.687	1.375	0.205	0.225	R09071	MU576
EUPI137168-250B	EUP	1.687	1.375	0.250	0.275		
EUPI143168-125A	EUP	1.687	1.437	0.125	0.138	RMD046A	
EUPI143168-125B	EUP	1.687	1.437	0.125	0.138	RMD046	
EUPI143168-250B	EUP	1.687	1.437	0.250	0.275	RMD047	
CUPI175000-437	CUP	1.750	0.000	0.437	0.094	R69701	
CUPI175000-500	CUP	1.750	0.000	0.500	0.125	RF2917	
CUPI175063-375	CUP	1.750	0.625	0.375	0.125	R69703	
CUPI175062-437	CUP	1.750	0.625	0.437	0.125	R01982	S1402
CRFI175075-375	CRF	1.750	0.750	0.375	0.125	R07272	S1464
CRFI175075-500	CRF	1.750	0.750	0.500	0.125	R07271	S4000
CRFI175081-375	CRF	1.750	0.812	0.375	0.125	R07310	
EUPI100175-375A	EUP	1.750	1.000	0.375	0.413	RMD508A	
EUPI100175-375B	EUP	1.750	1.000	0.375	0.413	RMD508	
GURI100175-375	GUR	1.750	1.000	0.375	0.438		
EUPI100175-438B	EUP	1.750	1.000	0.437	0.445	R09063	MU545
CUPI175100-500	CUP	1.750	1.000	0.500	0.125	RS3201	
EUPI112175-284B	EUP	1.750	1.125	0.284	0.312	R00086	MU19
EUPI112175-312A	EUP	1.750	1.125	0.312	0.343	RMD392A	
EUPI112175-312B	EUP	1.750	1.125	0.312	0.343	RMD392	



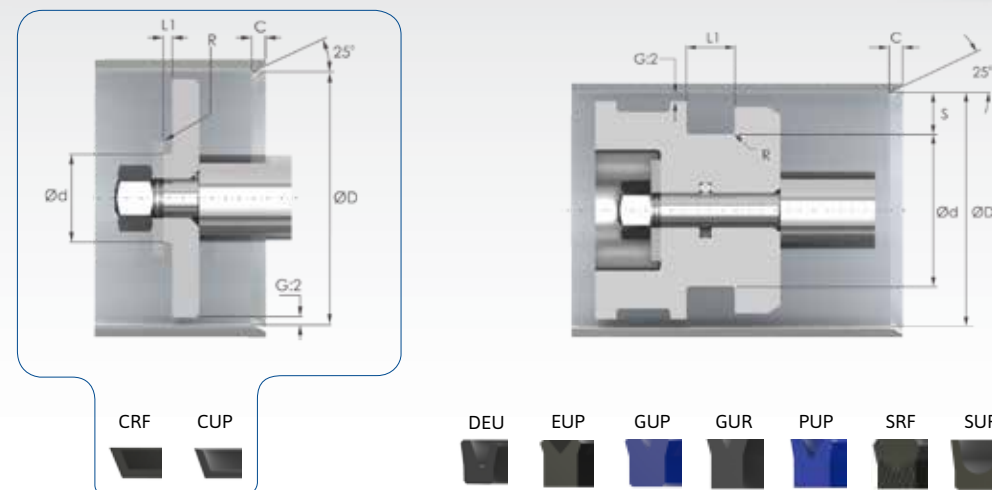
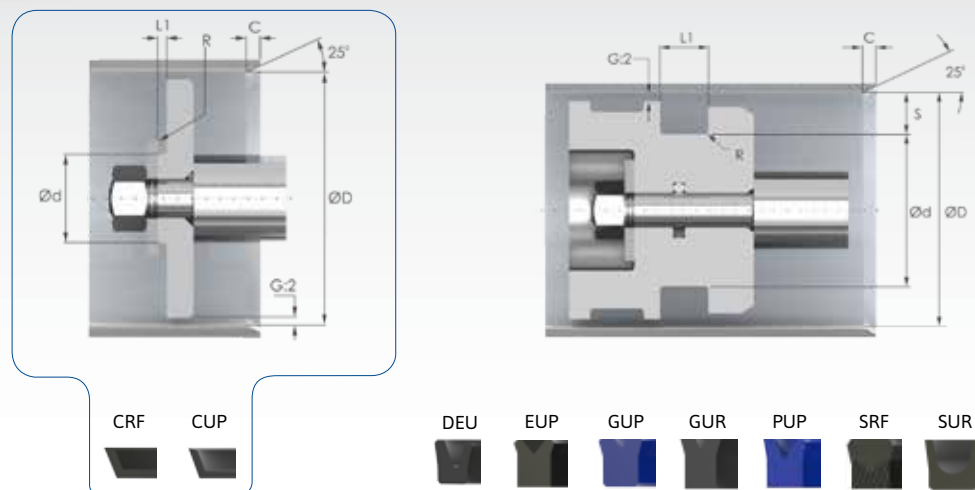
PART N°	PROFILE	HOUSING DIMENSIONS				REFERENCE N°	ALTERNATIVE REFERENCE N°
		ØD	Ød	SH	L1		
EUPI112175-375B	EUP	1.750	1.125	0.375	0.413	RMD393	
PUPI175113-375	PUP	1.750	1.125	0.375	0.414		
DEUI175112-375	DEU	1.750	1.125	0.375	0.437	R51247	
EUPI112175-402B	EUP	1.750	1.125	0.402	0.442	R00017	L19
EUPI118175-281A	EUP	1.750	1.187	0.281	0.312	RMD1214	
GUPI125175-250	GUP	1.750	1.250	0.250	0.275	R30191	
SURI125175-250	SUR	1.750	1.250	0.250	0.275	R00297	SU24
EUPI125175-250A	EUP	1.750	1.250	0.250	0.275	RMD244A	
EUPI125175-250B	EUP	1.750	1.250	0.250	0.275	RMD244	
EUPI125175-312B	EUP	1.750	1.250	0.312	0.343	RMD1139	
GUPI125175-375	GUP	1.750	1.250	0.375	0.413	R30192	
EUPI125175-375B	EUP	1.750	1.250	0.375	0.413	RMD245	
EUPI125175-500B	EUP	1.750	1.250	0.500	0.550		
EUPI137175-187A	EUP	1.750	1.375	0.187	0.212	RMD132A	
EUPI137175-187B	EUP	1.750	1.375	0.187	0.212	RMD132	
GUPI137175-187	GUP	1.750	1.375	0.187	0.212	R30875	
SURI137175-187	SUR	1.750	1.375	0.187	0.218	RF5037	
EUPI137175-250B	EUP	1.750	1.375	0.250	0.275	RMD133	
DEUI175137-274	DEU	1.750	1.375	0.274	0.328	R88174	
PUPI175138-275	PUP	1.750	1.375	0.275	0.290		
EUPI137175-312A	EUP	1.750	1.375	0.312	0.343	RMV018A	
EUPI137175-312B	EUP	1.750	1.375	0.312	0.343	R30057	
GUPI137175-375	GUP	1.750	1.375	0.375	0.413	R30193	
EUPI137175-375B	EUP	1.750	1.375	0.375	0.413	R30058	
EUPI143175-156B	EUP	1.750	1.437	0.156	0.180	RMD089	
EUPI150175-125A	EUP	1.750	1.500	0.125	0.138		
EUPI150175-125B	EUP	1.750	1.500	0.125	0.138	RMD048	
GUPI150175-125	GUP	1.750	1.500	0.125	0.138	R30887	
EUPI150175-187B	EUP	1.750	1.500	0.187	0.212	RMD049	
GUPI150175-250	GUP	1.750	1.500	0.250	0.275	R30871	
EUPI150175-250B	EUP	1.750	1.500	0.250	0.275	RMD050	
EUPI150175-312B	EUP	1.750	1.500	0.312	0.343	RMD1027	
CUPI181037-500	CUP	1.812	0.375	0.500	0.125	R00675	S1083
CUPI181088-400	CUP	1.812	0.875	0.400	0.156	R69704	
GURI106181-375	GUR	1.812	1.062	0.375	0.438		
DEUI181111-400	DEU	1.812	1.112	0.400	0.469	RF5188	DE181
EUPI118181-312A	EUP	1.812	1.187	0.312	0.343	RMD1222A	
EUPI118181-312B	EUP	1.812	1.187	0.312	0.343	RMD1222	
EUPI131181-250A	EUP	1.812	1.312	0.250	0.275	RMD246A	
EUPI131181-250B	EUP	1.812	1.312	0.250	0.275	RMD246	
EUPI131181-375B	EUP	1.812	1.312	0.375	0.413	RMD247	
EUPI143181-187A	EUP	1.812	1.437	0.187	0.212	RMD134A	
EUPI143181-187B	EUP	1.812	1.437	0.187	0.212	RMD134	
EUPI143181-312B	EUP	1.812	1.437	0.312	0.343	RMD965	
EUPI150181-156A	EUP	1.812	1.500	0.156	0.172	RMD1044	

PART N°	PROFILE	HOUSING DIMENSIONS				REFERENCE N°	ALTERNATIVE REFERENCE N°
		ØD	Ød	SH	L1		
SURI150181-156	SUR	1.812	1.500	0.156	0.188	RF5040	
EUPI150181-312B	EUP	1.812	1.500	0.312	0.343	RMD090	
EUPI156181-312A	EUP	1.812	1.562	0.125	0.138	RMD051A	
EUPI156181-312B	EUP	1.812	1.562	0.125	0.138	RMD051	
CUPI187000-437	CUP	1.875	0.000	0.437	0.094	R69707	
CUPI187000-500	CUP	1.875	0.000	0.500	0.125	RF2919	
CUPI187000-500/1	CUP	1.875	0.000	0.500	0.125	R69705	
CUPI187037-375	CUP	1.875	0.375	0.375	0.125	R00676	S2547
CUPI187063-438	CUP	1.875	0.625	0.437	0.125	R69708	
CRFI187062-500	CRF	1.875	0.625	0.500	0.125	R07273	S4079
EUPI112187-375A	EUP	1.875	1.125	0.375	0.413	RMD509A	
EUPI112187-375B	EUP	1.875	1.125	0.375	0.413	RMD509	
GURI112187-375	GUR	1.875	1.125	0.375	0.438		
EUPI125187-250B	EUP	1.875	1.250	0.250	0.275	RMD1223	
EUPI125187-284B	EUP	1.875	1.250	0.284	0.312	R00087	MU20
EUPI125187-312A	EUP	1.875	1.250	0.312	0.340	RMD396A	
EUPI125187-312B	EUP	1.875	1.250	0.312	0.340	RMD396	
GUPI125187-312	GUP	1.875	1.250	0.312	0.343	RMD397	
SURI125187-312	SUR	1.875	1.250	0.312	0.343	R00298	SU25
PUPI188125-312	PUP	1.875	1.250	0.312	0.351		
DEUI187125-312	DEU	1.875	1.250	0.312	0.375	R55404	
GUPI125187-375	GUP	1.875	1.250	0.375	0.413	RMD1224	
EUPI125187-375B	EUP	1.875	1.250	0.375	0.413	RMD1456	
DEUI187125-375	DEU	1.875	1.250	0.375	0.438	RF5189	DE187125
EUPI125187-402B	EUP	1.875	1.250	0.402	0.442	R00018	L20
SRFI125187-437	SRF	1.875	1.250	0.437	0.457	R30477	
EUPI125187-500B	EUP	1.875	1.250	0.500	0.550	RMD394	
EUPI137187-250A	EUP	1.875	1.375	0.250	0.275	RMD248A	
EUPI137187-250B	EUP	1.875	1.375	0.250	0.275	RMD248	
EUPI137187-312B	EUP	1.875	1.375	0.312	0.343	RMD962	
EUPI137187-375B	EUP	1.875	1.375	0.375	0.413	RMD107	
EUPI150187-187A	EUP	1.875	1.500	0.187	0.212	RMD138A	
EUPI150187-187B	EUP	1.875	1.500	0.187	0.212	RMD138	
SURI150187-187	SUR	1.875	1.500	0.187	0.218	RF5041	
EUPI150187-250B	EUP	1.875	1.500	0.250	0.275	R09085	L425
EUPI150187-312B	EUP	1.875	1.500	0.312	0.343	RMD139	
GUPI150187-375	GUP	1.875	1.500	0.375	0.413	RMD1073	
EUPI150187-375B	EUP	1.875	1.500	0.375	0.413	RMD1002	
EUPI162187-125A	EUP	1.875	1.625	0.125	0.138	RMD057A	
EUPI162187-125B	EUP	1.875	1.625	0.125	0.138	RMD057	
EUPI162187-250A	EUP	1.875	1.625	0.250	0.275	R30063A	
EUPI162187-250B	EUP	1.875	1.625	0.250	0.275	R30063	
CUPI193075-312	CUP	1.937	0.750	0.312	0.094	R69709	
GURI118193-375	GUR	1.937	1.187	0.375	0.438		
EUPI131193-312A	EUP	1.937	1.312	0.312	0.343	RMD1225A	



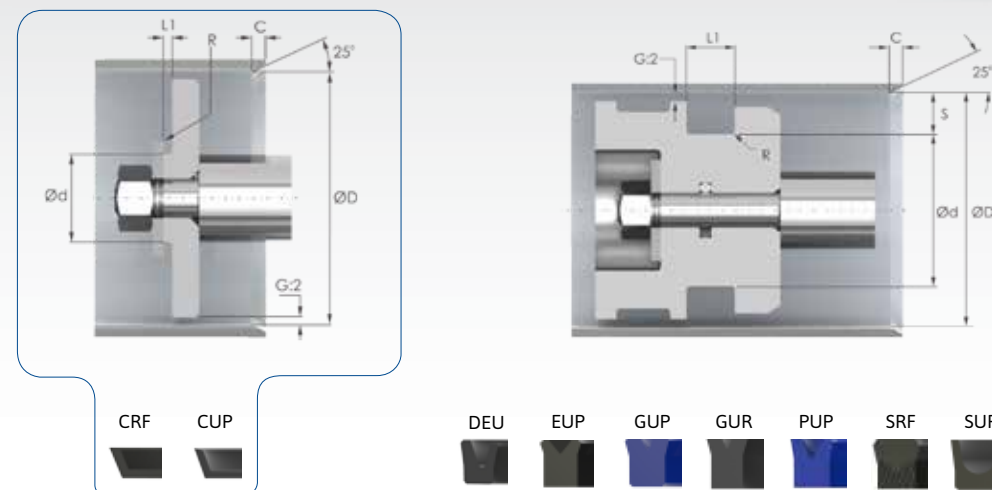
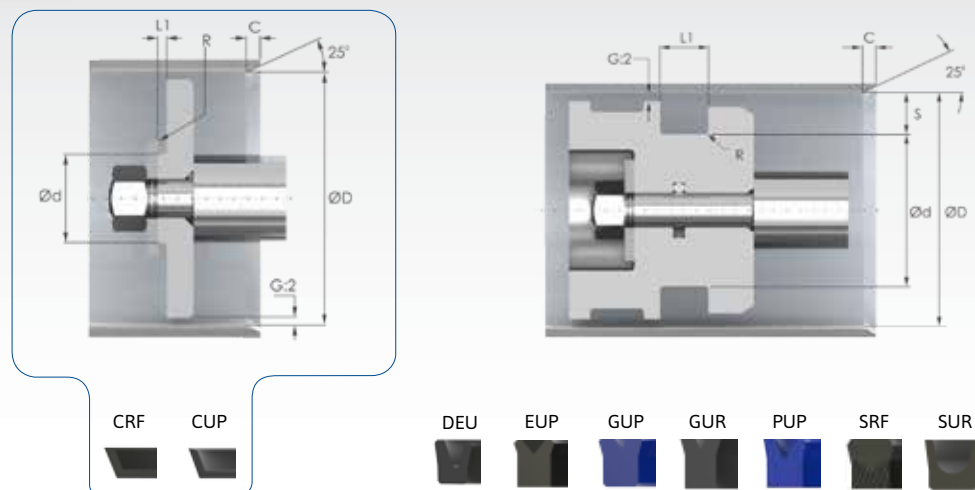
PART N°	PROFILE	HOUSING DIMENSIONS				REFERENCE N°	ALTERNATIVE REFERENCE N°
		ØD	Ød	SH	L1		
EUPI131193-312B	EUP	1.937	1.312	0.312	0.343	RMD1225	
PUPI194139-375	PUP	1.937	1.387	0.375	0.414		
DEUI193138-375	DEU	1.937	1.387	0.375	0.438	RF5190	DE193
EUPI143193-250A	EUP	1.937	1.437	0.250	0.275	RMD1140A	
EUPI143193-250B	EUP	1.937	1.437	0.250	0.275	RMD1140	
EUPI156193-187A	EUP	1.937	1.562	0.187	0.212	RMD1074A	
EUPI156193-187B	EUP	1.937	1.562	0.187	0.212	RMD1074	
EUPI168193-125A	EUP	1.937	1.687	0.125	0.150	RMD053A	
EUPI168193-125B	EUP	1.937	1.687	0.125	0.150	RMD053	
CUPI200000-500/3	CUP	2.000	0.000	0.500	0.125	R69712	
CUPI200000-500/2	CUP	2.000	0.000	0.500	0.125	R69711	
CUPI200000-500/1	CUP	2.000	0.000	0.500	0.125	R69710	
CUPI200000-500	CUP	2.000	0.000	0.500	0.156	RF2921	
CUPI200037-500	CUP	2.000	0.375	0.500	0.156	R00677	S450
CRFI200050-500	CRF	2.000	0.500	0.500	0.156	R07311	S1363
CUPI200050-500	CUP	2.000	0.500	0.500	0.156	R03174	S2807
CUPI200050-750	CUP	2.000	0.500	0.750	0.156	R07274	
CRFI200062-812	CRF	2.000	0.625	0.812	0.198	R45582	
CUPI200087-281	CUP	2.000	0.875	0.281	0.125	R27407	
CUPI200088-375	CUP	2.000	0.875	0.375	0.125	R69713	
EUPI100200-500A	EUP	2.000	1.000	0.500	0.550	RMD1349A	
EUPI100200-500B	EUP	2.000	1.000	0.500	0.550	RMD1349	
EUPI125200-375A	EUP	2.000	1.250	0.375	0.413	RMD512A	
EUPI125200-375B	EUP	2.000	1.250	0.375	0.413	RMD512	
GURI125200-375	GUR	2.000	1.250	0.375	0.438		
EUPI125200-437B	EUP	2.000	1.250	0.437	0.480		
SRFI125200-468	SRF	2.000	1.250	0.465	0.485		
EUPI125200-500B	EUP	2.000	1.250	0.500	0.550	RMD1004	
EUPI125200-625B	EUP	2.000	1.250	0.625	0.650	RMD511	
GUPI137200-312	GUP	2.000	1.375	0.312	0.343	R30881	
SURI137200-312	SUR	2.000	1.375	0.312	0.343	R00299	SU26
EUPI137200-312A	EUP	2.000	1.375	0.312	0.343	RMD399A	
EUPI137200-312B	EUP	2.000	1.375	0.312	0.343	RMD399	
EUPI137200-375B	EUP	2.000	1.375	0.375	0.413	RMD400	
DEUI200137-375	DEU	2.000	1.375	0.375	0.438	RF5191	DE200137
EUPI137200-402B	EUP	2.000	1.375	0.402	0.442	R00019	L21
SRFI137200-437	SRF	2.000	1.375	0.437	0.457	R30478	
EUPI137200-500B	EUP	2.000	1.375	0.500	0.550	RMD401	
EUPI150200-250A	EUP	2.000	1.500	0.250	0.275	RMD251A	
EUPI150200-250B	EUP	2.000	1.500	0.250	0.275	RMD251	
GUPI150200-250	GUP	2.000	1.500	0.250	0.275	R30195	
SRFI150200-281	SRF	2.000	1.500	0.281	0.300	R30479	
GUPI150200-312	GUP	2.000	1.500	0.312	0.343	RMD1141	
EUPI150200-312A	EUP	2.000	1.500	0.312	0.343	R30060A	
EUPI150200-312B	EUP	2.000	1.500	0.312	0.343	R30060	

PART N°	PROFILE	HOUSING DIMENSIONS				REFERENCE N°	ALTERNATIVE REFERENCE N°
		ØD	Ød	SH	L1		
GUPI150200-375	GUP	2.000	1.500	0.375	0.413	RMD1142	
EUPI150200-375B	EUP	2.000	1.500	0.375	0.413	RMD252	
EUPI150200-500B	EUP	2.000	1.500	0.500	0.550	RMD253	
PUPI200163-187	PUP	2.000	1.625	0.187	0.207		
EUPI162200-187B	EUP	2.000	1.625	0.187	0.212	RMD140	
EUPI162200-187A	EUP	2.000	1.625	0.187	0.212	R45928	
GUPI162200-187	GUP	2.000	1.625	0.187	0.212	RMD1075	
SURI162200-187	SUR	2.000	1.625	0.187	0.218	RF5045	
GURI162200-187	GUR	2.000	1.625	0.187	0.250		
EUPI162200-250B	EUP	2.000	1.625	0.250	0.275	RMD141	
GUPI162200-250	GUP	2.000	1.625	0.250	0.275	RMD1076	
PUPI200163-281	PUP	2.000	1.625	0.281	0.320		
DEUI200162-281	DEU	2.000	1.625	0.281	0.343	R53586	
GUPI162200-312	GUP	2.000	1.625	0.312	0.343	RMD1077	
PUPI200162-312	PUP	2.000	1.625	0.312	0.343	R43100	
EUPI162200-312B	EUP	2.000	1.625	0.312	0.343	RMD142	
GUPI162200-375	GUP	2.000	1.625	0.375	0.413	RMD1078	
EUPI162200-375B	EUP	2.000	1.625	0.375	0.413	RMD143	
EUPI175200-125A	EUP	2.000	1.750	0.125	0.138	RMD1011A	
EUPI175200-125B	EUP	2.000	1.750	0.125	0.138	RMD1011	
EUPI175200-187A	EUP	2.000	1.750	0.187	0.212	RMD054A	
EUPI175200-187B	EUP	2.000	1.750	0.187	0.212	RMD054	
EUPI175200-250A	EUP	2.000	1.750	0.250	0.275	RMD055A	
EUPI175200-250B	EUP	2.000	1.750	0.250	0.275	RMD055	
CUPI206050-500	CUP	2.062	0.500	0.500	0.156	R00678	S2910
EUPI131206-375A	EUP	2.062	1.312	0.375	0.413	RMD1269A	
EUPI131206-375B	EUP	2.062	1.312	0.375	0.413	RMD1269	
GURI131206-375	GUR	2.062	1.312	0.375	0.438		
EUPI168206-187A	EUP	2.062	1.687	0.187	0.212	RMD144A	
EUPI168206-187B	EUP	2.062	1.687	0.187	0.212	RMD144	
EUPI150210-437B	EUP	2.109	1.500	0.437	0.462	R09144	L308
EUPI173211-290B	EUP	2.113	1.732	0.290	0.315		
CUPI212000-500/1	CUP	2.125	0.000	0.500	0.125	R69715	
CUPI212000-500	CUP	2.125	0.000	0.500	0.125	R69714	
CUPI212062-500	CUP	2.125	0.625	0.500	0.156	R00679	S1895
CUPI212088-375	CUP	2.125	0.875	0.375	0.125	R69716	
CRFI212087-625	CRF	2.125	0.875	0.625	0.187	R07275	
EUPI137212-375A	EUP	2.125	1.375	0.375	0.413	RMD513A	
EUPI137212-375B	EUP	2.125	1.375	0.375	0.413	RMD513	
GURI137212-375	GUR	2.125	1.375	0.375	0.438		
EUPI137212-437B	EUP	2.125	1.375	0.437	0.462	R09140	L392
EUPI150212-284B	EUP	2.125	1.500	0.284	0.312	R00089	MU22
SURI150212-312	SUR	2.125	1.500	0.312	0.343	R00300	SU27
EUPI150212-312B	EUP	2.125	1.500	0.312	0.343	RMD403	
EUPI150212-312A	EUP	2.125	1.500	0.312	0.343	R55864A	



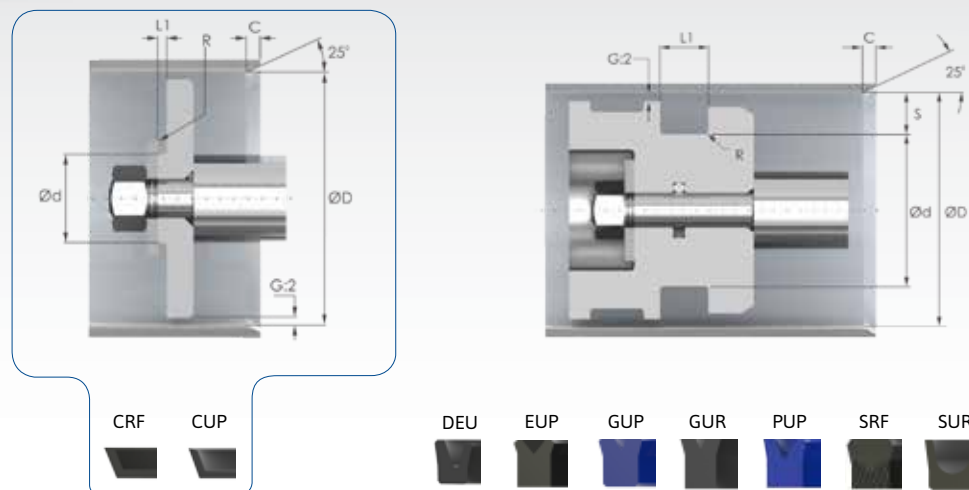
PART N°	PROFILE	HOUSING DIMENSIONS				REFERENCE N°	ALTERNATIVE REFERENCE N°
		ØD	Ød	SH	L1		
EUPI150212-375A	EUP	2.125	1.500	0.312	0.413	R55864	
GUPI150212-375	GUP	2.125	1.500	0.375	0.413	RMD1226	
EUPI150212-375B	EUP	2.125	1.500	0.375	0.413	RMD405	
PUPI213150-375	PUP	2.125	1.500	0.375	0.414		
DEUI212150-375	DEU	2.125	1.500	0.375	0.437	R55405	
EUPI150212-402B	EUP	2.125	1.500	0.402	0.442	R00020	L22
SRFI150212-437	SRF	2.125	1.500	0.437	0.457	R86806	NS22
EUPI150212-437B	EUP	2.125	1.500	0.437	0.480	RMD1227	
GUPI150212-500	GUP	2.125	1.500	0.500	0.550	RMD1228	
EUPI150212-500B	EUP	2.125	1.500	0.500	0.550	RMD406	
EUPI162212-250A	EUP	2.125	1.625	0.250	0.275	R30064A	
EUPI162212-250B	EUP	2.125	1.625	0.250	0.275	R30064	
EUPI162212-375B	EUP	2.125	1.625	0.375	0.413	RMD254	
PUPI213163-375	PUP	2.125	1.625	0.375	0.414		
DEUI212162-375	DEU	2.125	1.625	0.375	0.437	R56179	
EUPI175212-187A	EUP	2.125	1.750	0.187	0.207	R09074A	
EUPI175212-187B	EUP	2.125	1.750	0.187	0.207	R09074	MU584
SURI175212-187	SUR	2.125	1.750	0.187	0.218		
EUPI175212-250B	EUP	2.125	1.750	0.250	0.275	RMD145	
GUPI175212-250	GUP	2.125	1.750	0.250	0.275	RMD1079	
EUPI175212-287B	EUP	2.125	1.750	0.287	0.312	R09150	
GUPI175212-312	GUP	2.125	1.750	0.312	0.343	R30876	
EUPI175212-312A	EUP	2.125	1.750	0.312	0.343	RMD149A	
EUPI175212-312B	EUP	2.125	1.750	0.312	0.343	RMD149	
GUPI175212-375	GUP	2.125	1.750	0.375	0.413	RMD1080	
EUPI175212-375B	EUP	2.125	1.750	0.375	0.413	RMD146	
EUPI187212-125A	EUP	2.125	1.875	0.125	0.138	RMD087A	
EUPI187212-125B	EUP	2.125	1.875	0.125	0.138	RMD087	
EUPI187212-187B	EUP	2.125	1.875	0.187	0.212	R30067	
EUPI187212-250B	EUP	2.125	1.875	0.250	0.275	R30068	
GURI150218-250	GUR	2.187	1.500	0.250	0.313		
EUPI175218-375B	EUP	2.187	1.750	0.375	0.413	RMD1114	
CUPI225000-500/1	CUP	2.250	0.000	0.500	0.125	R69719	
CUPI225000-500	CUP	2.250	0.000	0.500	0.125	R69717	
CRFI225037-500	CRF	2.250	0.375	0.500	0.156	R07187	S998
CUPI225037-750	CUP	2.250	0.375	0.750	0.156	R07276	
CUPI225088-375	CUP	2.250	0.875	0.375	0.156	R69720	
CUPI225100-450	CUP	2.250	1.000	0.450	0.100	R03182	S3090
EUPI125225-500A	EUP	2.250	1.250	0.500	0.550	RMD700A	
EUPI125225-500B	EUP	2.250	1.250	0.500	0.550	RMD700	
GURI143225-312	GUR	2.250	1.437	0.312	0.375		
EUPI150225-375A	EUP	2.250	1.500	0.375	0.413	RMD514A	
EUPI150225-375B	EUP	2.250	1.500	0.375	0.413	RMD514	
EUPI150225-500B	EUP	2.250	1.500	0.500	0.550	RMD515	
EUPI150225-625B	EUP	2.250	1.500	0.625	0.687	R30061	

PART N°	PROFILE	HOUSING DIMENSIONS				REFERENCE N°	ALTERNATIVE REFERENCE N°
		ØD	Ød	SH	L1		
EUPI162225-284B	EUP	2.250	1.625	0.284	0.312	R00090	MU23
SURI162225-312	SUR	2.250	1.625	0.312	0.343	R00397	SU28
EUPI162225-312B	EUP	2.250	1.625	0.312	0.343	RMD1230	
EUPI162225-312A	EUP	2.250	1.625	0.312	0.343	RMD1229	
GUPI162225-375	GUP	2.250	1.625	0.375	0.413	RMD1231	
EUPI162225-375B	EUP	2.250	1.625	0.375	0.413	RMD408	
PUPI225163-375	PUP	2.250	1.625	0.375	0.414		
DEUI162225-402B	DEU	2.250	1.625	0.375	0.437	R15538	
EUPI162225-402B	EUP	2.250	1.625	0.402	0.442	R00021	L23
SRFI162225-437	SRF	2.250	1.625	0.437	0.457	R30481	
EUPI162225-500B	EUP	2.250	1.625	0.500	0.550	RMD409	
EUPI175225-250B	EUP	2.250	1.750	0.250	0.255	R09152	MU538
EUPI175225-250A	EUP	2.250	1.750	0.250	0.275	R09152A	
GUPI175225-250	GUP	2.250	1.750	0.250	0.275	R30196	
PUPI225175-250	PUP	2.250	1.750	0.250	0.290		
DEUI225175-250	DEU	2.250	1.750	0.250	0.312	R16709	DE225
SURI175225-285	SUR	2.250	1.750	0.285	0.313	RF5158	
GUPI175225-312	GUP	2.250	1.750	0.312	0.343	RMD1144	
EUPI175225-312B	EUP	2.250	1.750	0.312	0.343	RMD1143	
GURI175225-312	GUR	2.250	1.750	0.312	0.375		
EUPI175225-355B	EUP	2.250	1.750	0.355	0.413	R09151	L301
GUPI175225-375	GUP	2.250	1.750	0.375	0.413	R30197	
EUPI175225-375A	EUP	2.250	1.750	0.375	0.413	RMV036	
EUPI175225-375B	EUP	2.250	1.750	0.375	0.413	RMD1145	
EUPI187225-187A	EUP	2.250	1.875	0.187	0.212	R30069A	
EUPI187225-187B	EUP	2.250	1.875	0.187	0.212	R30069	
SURI187225-187	SUR	2.250	1.875	0.187	0.218	RF5050	
EUPI187225-312B	EUP	2.250	1.875	0.312	0.344	RMD1081	
EUPI187225-375B	EUP	2.250	1.875	0.375	0.413	R30070	
EUPI200225-125A	EUP	2.250	2.000	0.125	0.138	RMD060A	
EUPI200225-125B	EUP	2.250	2.000	0.125	0.138	RMD060	
EUPI200225-187B	EUP	2.250	2.000	0.187	0.212	R30071	
EUPI200225-250B	EUP	2.250	2.000	0.250	0.275	RMD058	
CRFI231075-625	CRF	2.312	0.750	0.625	0.156	R07188	S2386
GURI156231-375	GUR	2.312	1.562	0.375	0.438		
EUPI168231-312A	EUP	2.312	1.687	0.312	0.343	RMD1232	
EUPI200231-156A	EUP	2.312	2.000	0.156	0.172	RMD1045A	
EUPI200231-156B	EUP	2.312	2.000	0.156	0.172	RMD1045	
EUPI198235-703B	EUP	2.359	1.980	0.703	0.735	R09159	L362
CUPI237000-500/1	CUP	2.375	0.000	0.500	0.125	R69722	
CUPI237000-500	CUP	2.375	0.000	0.500	0.125	R69721	
CUPI237000-500/2	CUP	2.375	0.000	0.500	0.125	R69718	
CUPI237075-375	CUP	2.375	0.750	0.375	0.156	R69723	
CRFI237100-500	CRF	2.375	1.000	0.500	0.125	R07277	S4002
EUPI137237-500A	EUP	2.375	1.375	0.500	0.550	RMD199A	

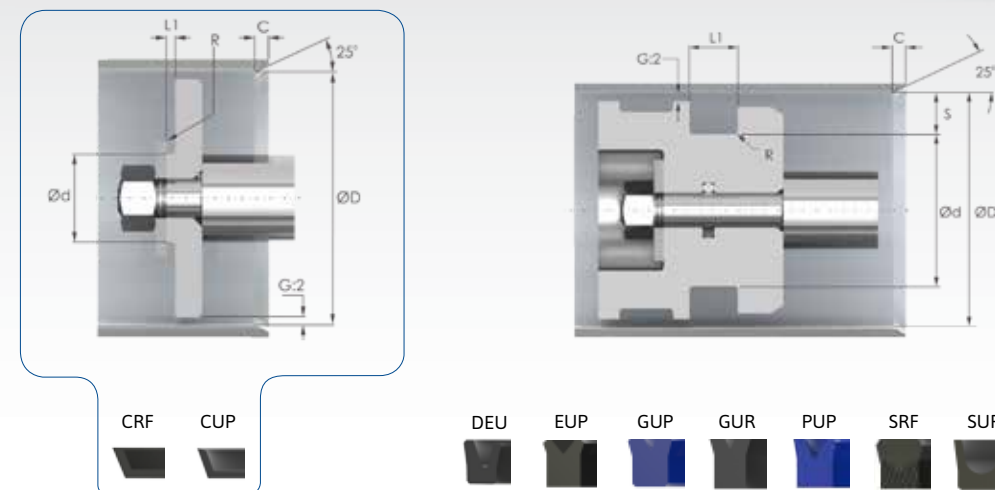


PART N°	PROFILE	HOUSING DIMENSIONS				REFERENCE N°	ALTERNATIVE REFERENCE N°
		ØD	Ød	SH	L1		
EUPI137237-500B	EUP	2.375	1.375	0.500	0.550	RMD199	
EUPI150237-437A	EUP	2.375	1.500	0.437	0.480	RMD1343A	
EUPI150237-437B	EUP	2.375	1.500	0.437	0.480	RMD1343	
EUPI162237-312B	EUP	2.375	1.625	0.312	0.343	RMD1270	
EUPI162237-375B	EUP	2.375	1.625	0.375	0.375	RMD517	
EUPI162237-375A	EUP	2.375	1.625	0.375	0.413		
GURI162237-375	GUR	2.375	1.625	0.375	0.438		
EUPI162237-562B	EUP	2.375	1.625	0.562	0.587	R09146	L382
EUPI162237-625B	EUP	2.375	1.625	0.625	0.650	RMD518	
GUPI175237-266	GUP	2.375	1.750	0.266	0.312	R30198	
EUPI175237-283B	EUP	2.375	1.750	0.283	0.317	R09665	MU610
EUPI175237-284B	EUP	2.375	1.750	0.284	0.312	R00091	MU24
SURI175237-312	SUR	2.375	1.750	0.312	0.343	R00398	SU29
EUPI175237-312B	EUP	2.375	1.750	0.312	0.343	RMD1234	
EUPI175237-312A	EUP	2.375	1.750	0.312	0.343	RMD1233	
EUPI175237-375B	EUP	2.375	1.750	0.375	0.413	RMD412	
DEUI237175-375	DEU	2.375	1.750	0.375	0.437	R55406	
EUPI175237-402B	EUP	2.375	1.750	0.402	0.442	R00022	L24
SRFI175237-437	SRF	2.375	1.750	0.437	0.457	R30484	
EUPI175237-500B	EUP	2.375	1.750	0.500	0.550	R30066	
GUPI175237-562	GUP	2.375	1.750	0.562	0.619	R30199	
EUPI175237-562B	EUP	2.375	1.750	0.562	0.619	RMD411	
EUPI187237-250B	EUP	2.375	1.875	0.250	0.250	RMD256	
EUPI187237-250A	EUP	2.375	1.875	0.250	0.275	RMD256A	
PUPI238188-250	PUP	2.375	1.875	0.250	0.290		
DEUI237187-250	DEU	2.375	1.875	0.250	0.312		
EUPI187237-375B	EUP	2.375	1.875	0.375	0.413	RMD257	
SURI193237-219	SUR	2.375	1.937	0.219	0.250	RF5051	
EUPI200237-187B	EUP	2.375	2.000	0.187	0.207	R09072	MU577
EUPI200238-187A	EUP	2.375	2.000	0.187	0.212	RMD152A	
EUPI200238-187B	EUP	2.375	2.000	0.187	0.212	RMD152	
GUPI200237-187	GUP	2.375	2.000	0.187	0.212	RMD1082	
SURI200237-187	SUR	2.375	2.000	0.187	0.218	RF5159	
GURI200237-198	GUR	2.375	2.000	0.198	0.250		
EUPI200237-250B	EUP	2.375	2.000	0.250	0.275	RMD153	
EUPI200237-312B	EUP	2.375	2.000	0.312	0.343	R30072	
GUPI200237-375	GUP	2.375	2.000	0.375	0.413	RMD1084	
EUPI200237-375B	EUP	2.375	2.000	0.375	0.413	RMD154	
EUPI212237-125A	EUP	2.375	2.125	0.125	0.150	RMD059A	
EUPI212237-125B	EUP	2.375	2.125	0.125	0.150	RMD059	
EUPI212237-250B	EUP	2.375	2.125	0.250	0.275	RMD1028	
EUPI134243-500B	EUP	2.437	1.344	0.500	0.525	R09139	L328
GURI156243-375	GUR	2.437	1.562	0.375	0.438		
GURI200243-312	GUR	2.437	2.000	0.312	0.375		
CUPI250000-500/1	CUP	2.500	0.000	0.500	0.125	R69828	

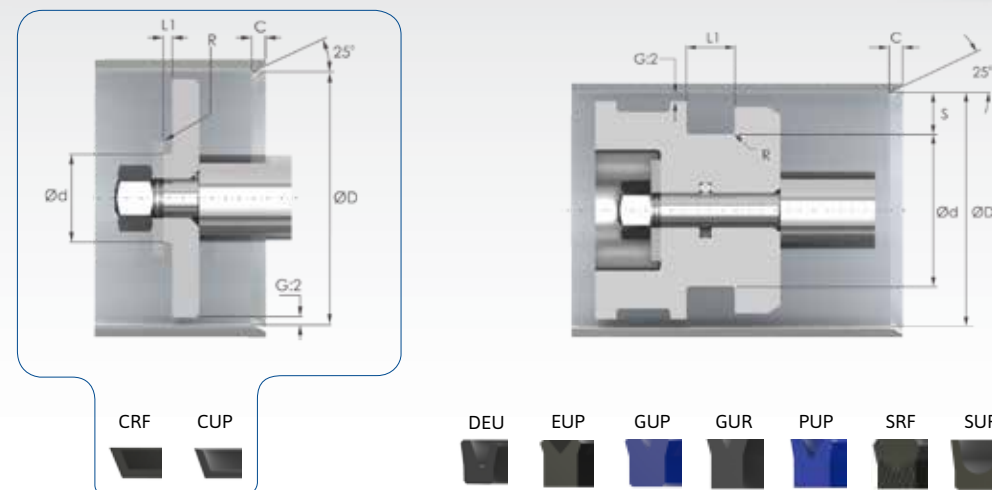
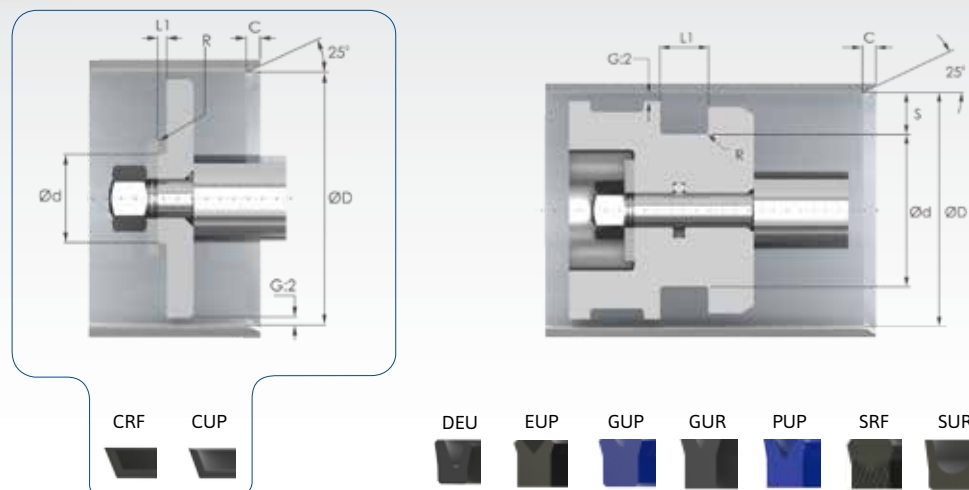
PART N°	PROFILE	HOUSING DIMENSIONS				REFERENCE N°	ALTERNATIVE REFERENCE N°
		ØD	Ød	SH	L1		
CUPI250000-500	CUP	2.500	0.000	0.500	0.125	R69725	
CUPI250000-500/2	CUP	2.500	0.000	0.500	0.125	R69724	
CUPI250000-625	CUP	2.500	0.000	0.625	0.125	R69726	
CRFI250000-625	CRF	2.500	0.000	0.625	0.187	R51203	
CUPI250050-500	CUP	2.500	0.500	0.500	0.156	R00681	S299
CUPI250088-375	CUP	2.500	0.875	0.375	0.156	R69727	
CUPI250100-485	CUP	2.500	1.000	0.485	0.156		
CUPI250125-450	CUP	2.500	1.250	0.450	0.100	R03360	
EUPI150250-500A	EUP	2.500	1.500	0.500	0.550	RMD702A	
EUPI150250-500B	EUP	2.500	1.500	0.500	0.550	RMD702	
EUPI162250-625B	EUP	2.500	1.625	0.625	0.650	R09148	L353
GUPI175250-375	GUP	2.500	1.750	0.375	0.413	RMD1271	
EUPI175250-375A	EUP	2.500	1.750	0.375	0.413	RMD519A	
EUPI175250-375B	EUP	2.500	1.750	0.375	0.413	RMD519	
EUPI175250-500B	EUP	2.500	1.750	0.500	0.550	RMD520	
EUPI175250-625A	EUP	2.500	1.750	0.625	0.687	RMD521A	
EUPI175250-625B	EUP	2.500	1.750	0.625	0.687	RMD521	
PUPI250180-350	PUP	2.500	1.799	0.350	0.388		
DEUI250180-350	DEU	2.500	1.800	0.350	0.400		
SURI187250-187	SUR	2.500	1.875	0.187	0.212	R00400	
EUPI187250-284B	EUP	2.500	1.875	0.284	0.312	R00092	MU25
EUPI187250-312B	EUP	2.500	1.875	0.312	0.337	RMD417	
GURI187250-312	GUR	2.500	1.875	0.312	0.343		
SURI187250-312V	SUR	2.500	1.875	0.312	0.343		
SURI187250-312	SUR	2.500	1.875	0.312	0.343	R00399	SU30 S247
EUPI187250-312A	EUP	2.500	1.875	0.312	0.343	RMD417A	
GUPI187250-375	GUP	2.500	1.875	0.375	0.413	R30882	
EUPI187250-375B	EUP	2.500	1.875	0.375	0.413	RMD415	
PUPI250188-375	PUP	2.500	1.875	0.375	0.414		
DEUI250187-375	DEU	2.500	1.875	0.375	0.438	R50371	DE250187
EUPI187250-402B	EUP	2.500	1.875	0.402	0.442	R00023	L25
SRFI187250-437	SRF	2.500	1.875	0.437	0.457	R30485	
GUPI187250-500	GUP	2.500	1.875	0.500	0.550	RMD1235	
PUPI250187-500	PUP	2.500	1.875	0.500	0.550	RF3009	
EUPI187250-500B	EUP	2.500	1.875	0.500	0.550	RMD416	
EUPI200250-250B	EUP	2.500	2.000	0.250	0.275	RMD259	
EUPI200250-250A	EUP	2.500	2.000	0.250	0.275	R09161A	
GUPI200250-250	GUP	2.500	2.000	0.250	0.275	RMD1146	
GUPI200250-312	GUP	2.500	2.000	0.312	0.343	RMD1148	
EUPI200250-312B	EUP	2.500	2.000	0.312	0.343	RMD1147	
PUPI250200-375	PUP	2.500	2.000	0.375	0.413	RP250	
GUPI200250-375	GUP	2.500	2.000	0.375	0.413	R30202	
EUPI200250-375B	EUP	2.500	2.000	0.375	0.413	RMD261	
EUPI200250-500B	EUP	2.500	2.000	0.500	0.550	RMD260	
EUPI212250-187A	EUP	2.500	2.125	0.187	0.212	R30074A	



PART N°	PROFILE	HOUSING DIMENSIONS				REFERENCE N°	ALTERNATIVE REFERENCE N°
		ØD	Ød	SH	L1		
EUPI212250-187B	EUP	2.500	2.125	0.187	0.212	R30074	
SURI212250-187	SUR	2.500	2.125	0.187	0.218	RF5055	
PUPI250213-250	PUP	2.500	2.125	0.250	0.290		
EUPI212250-250B	EUP	2.500	2.125	0.250	0.312	RMD158	
PUPI250212-312	PUP	2.500	2.125	0.312	0.343	RF3013	
EUPI212250-312B	EUP	2.500	2.125	0.312	0.343	RMD1454	
EUPI212250-375A	EUP	2.500	2.125	0.375	0.400	RMD1003A	
EUPI212250-375B	EUP	2.500	2.125	0.375	0.400	RMD1003	
EUPI212250-375B	EUP	2.500	2.125	0.375	0.413	R30075	
EUPI225250-125A	EUP	2.500	2.250	0.125	0.138	R30080A	
EUPI225250-125B	EUP	2.500	2.250	0.125	0.138	R30080	
EUPI225250-250B	EUP	2.500	2.250	0.250	0.275	RMD1029	
GUPI225250-250	GUP	2.500	2.250	0.250	0.275	RMD1030	
EUPI225250-375A	EUP	2.500	2.250	0.375	0.413	RMD063A	
EUPI225250-375B	EUP	2.500	2.250	0.375	0.413	RMD063	
GURI168256-375	GUR	2.562	1.687	0.375	0.437		
EUPI193256-312A	EUP	2.562	1.937	0.312	0.343	RMD1236A	
EUPI193256-312B	EUP	2.562	1.937	0.312	0.343	RMD1236	
EUPI231256-125B	EUP	2.562	2.312	0.125	0.138	RMD955	
CUPI262000-500/1	CUP	2.625	0.000	0.500	0.125	R69829	
CUPI262000-500	CUP	2.625	0.000	0.500	0.125	R69728	
CUPI262050-500	CUP	2.625	0.500	0.500	0.156	R00682	S1377
CUPI262088-375	CUP	2.625	0.875	0.375	0.156	R69729	
CRFI262087-625	CRF	2.625	0.875	0.625	0.156		
CRFI262087-812	CRF	2.625	0.875	0.812	0.198	R50243	S1253
CRFI262087-812/1	CRF	2.625	0.875	0.812	0.250	R07190	S1253
GURI175262-437	GUR	2.625	1.750	0.437	0.500		
EUPI187262-375A	EUP	2.625	1.875	0.375	0.413	RMD953A	
EUPI187262-375B	EUP	2.625	1.875	0.375	0.413	RMD953	
EUPI200262-284B	EUP	2.625	2.000	0.284	0.312	R00093	MU26
SURI200262-312	SUR	2.625	2.000	0.312	0.343	R00453	SU31
EUPI200262-312A	EUP	2.625	2.000	0.312	0.343	RMD1237A	
EUPI200262-312B	EUP	2.625	2.000	0.312	0.343	RMD1237	
PUPI263200-350	PUP	2.625	2.000	0.350	0.388		
DEUI262200-350	DEU	2.625	2.000	0.350	0.406	RF5192	DE262
EUPI200262-375B	EUP	2.625	2.000	0.375	0.413	RMD419	
DEUI262200-375	DEU	2.625	2.000	0.375	0.437	R58485	
EUPI200262-402B	EUP	2.625	2.000	0.402	0.442	R00024	L26
SRFI200262-437	SRF	2.625	2.000	0.437	0.457	R30486	
GUPI200262-500	GUP	2.625	2.000	0.500	0.550	RMD1240	
EUPI200262-500B	EUP	2.625	2.000	0.500	0.550	RMD420	
EUPI200262-500A	EUP	2.625	2.000	0.500	0.550	RMD1239	
GUPI200262-562	GUP	2.625	2.000	0.562	0.619	R30204	
EUPI200262-562B	EUP	2.625	2.000	0.562	0.619	RMD954	
EUPI212262-250A	EUP	2.625	2.125	0.250	0.275	R30076A	

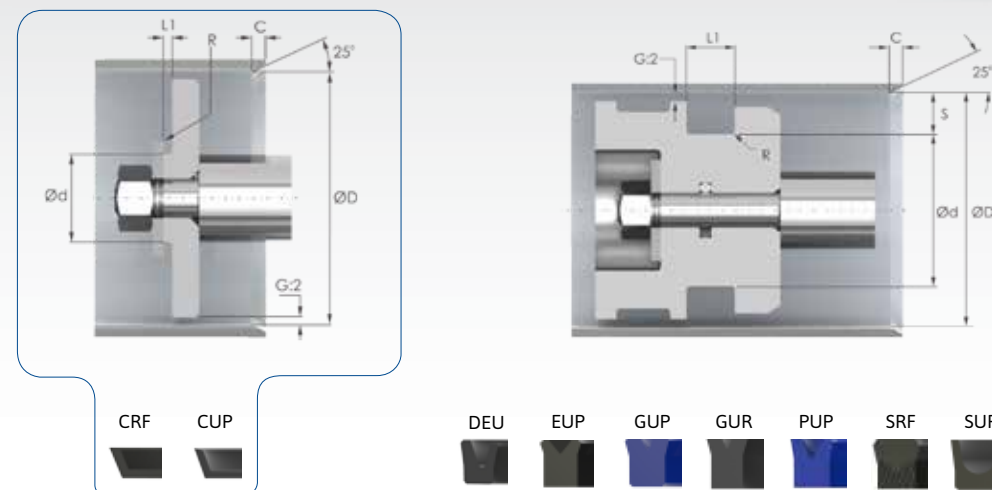
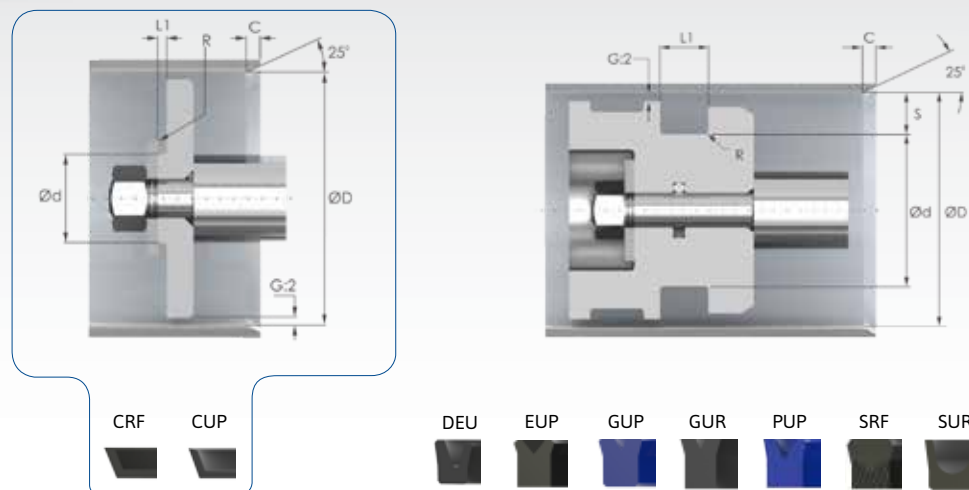


PART N°	PROFILE	HOUSING DIMENSIONS				REFERENCE N°	ALTERNATIVE REFERENCE N°
		ØD	Ød	SH	L1		
EUPI212262-250B	EUP	2.625	2.125	0.250	0.275	R30076	
SRFI212262-375	SRF	2.625	2.125	0.375	0.413		
GUPI212262-375	GUP	2.625	2.125	0.375	0.413	R30206	
EUPI212262-375B	EUP	2.625	2.125	0.375	0.413	RMD263	
EUPI225262-187A	EUP	2.625	2.250	0.187	0.212	RMD162A	
EUPI225262-187B	EUP	2.625	2.250	0.187	0.212	RMD162	
SURI225262-187	SUR	2.625	2.250	0.187	0.218	RF5058	
EUPI225262-250B	EUP	2.625	2.250	0.250	0.275	RMD163	
EUPI225262-312B	EUP	2.625	2.250	0.312	0.343	RMD164	
EUPI225262-375B	EUP	2.625	2.250	0.375	0.413	RMD165	
EUPI237262-125A	EUP	2.625	2.375	0.125	0.138	RMD064A	
EUPI237262-125B	EUP	2.625	2.375	0.125	0.138	RMD064	
EUPI237262-187B	EUP	2.625	2.375	0.187	0.212	RMD1031	
GURI181268-375	GUR	2.687	1.812	0.375	0.437		
CUPI275000-500/1	CUP	2.750	0.000	0.500	0.125	R69830	
CUPI275000-500	CUP	2.750	0.000	0.500	0.156	RF2930	
CUPI275000-625	CUP	2.750	0.000	0.625	0.187	R69730	
CRFI275037-625	CRF	2.750	0.375	0.625	0.156	R07191	S1238
CUPI275050-500/1	CUP	2.750	0.500	0.500	0.125	R69732	
CUPI275050-500	CUP	2.750	0.500	0.500	0.187	R00683	S298
CRFI275062-625	CRF	2.750	0.625	0.625	0.156	R07279	S3631
CRFI275075-500	CRF	2.750	0.750	0.500	0.125	R07192	S2387
CUPI275075-500	CUP	2.750	0.750	0.500	0.156	R03467	S2242
CUPI275167-500	CUP	2.750	1.675	0.500	0.156	R03918	
EUPI175275-500A	EUP	2.750	1.750	0.500	0.550	RMD703A	
EUPI175275-500B	EUP	2.750	1.750	0.500	0.550	RMD703	
EUPI175275-750B	EUP	2.750	1.750	0.750	0.825	RMD704	
EUPI175275-1000B	EUP	2.750	1.750	1.000	1.025	R09153	L306
GURI193275-375	GUR	2.750	1.937	0.375	0.438		
EUPI200275-341B	EUP	2.750	2.000	0.341	0.375	R00094	MU27
EUPI200275-375A	EUP	2.750	2.000	0.375	0.413	RMD524A	
EUPI200275-375B	EUP	2.750	2.000	0.375	0.413	RMD524	
PUPI275200-500	PUP	2.750	2.000	0.500	0.540		
EUPI200275-500B	EUP	2.750	2.000	0.500	0.550	RMD525	
DEUI275200-500	DEU	2.750	2.000	0.500	0.562	R55704	
EUPI200275-515B	EUP	2.750	2.000	0.515	0.567	R00025	L27
SRFI200275-562	SRF	2.750	2.000	0.562	0.582	R30487	
EUPI200275-625B	EUP	2.750	2.000	0.625	0.687	RMD526	
EUPI200275-875B	EUP	2.750	2.000	0.875	0.900	R09162	L327
EUPI212275-312B	EUP	2.750	2.125	0.312	0.337	R09163	MU523
GUPI212275-312	GUP	2.750	2.125	0.312	0.343	RMD1241	
SURI212275-312	SUR	2.750	2.125	0.312	0.343	R00454	SU32
EUPI212275-312A	EUP	2.750	2.125	0.312	0.344	R09163A	
PUPI275213-312	PUP	2.750	2.125	0.312	0.351		
DEUI275212-375	DEU	2.750	2.125	0.375	0.437	R50620	



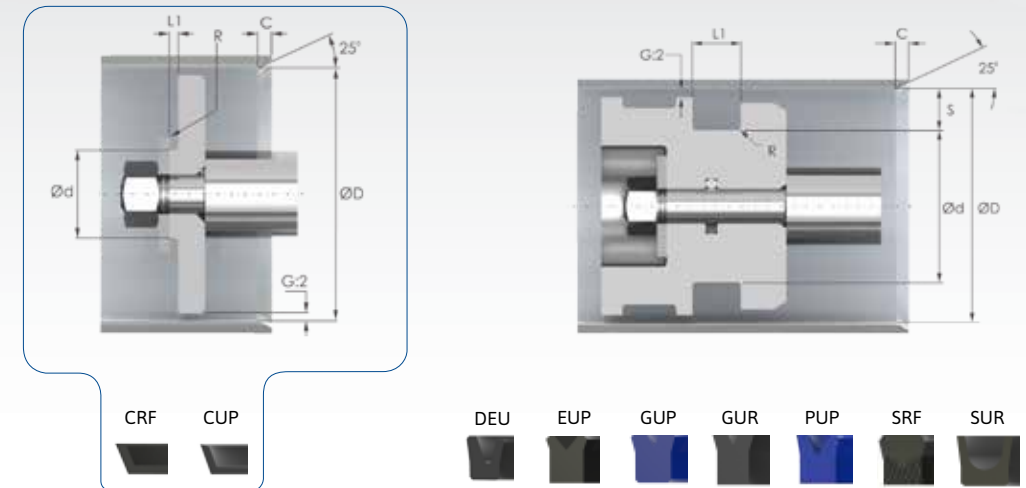
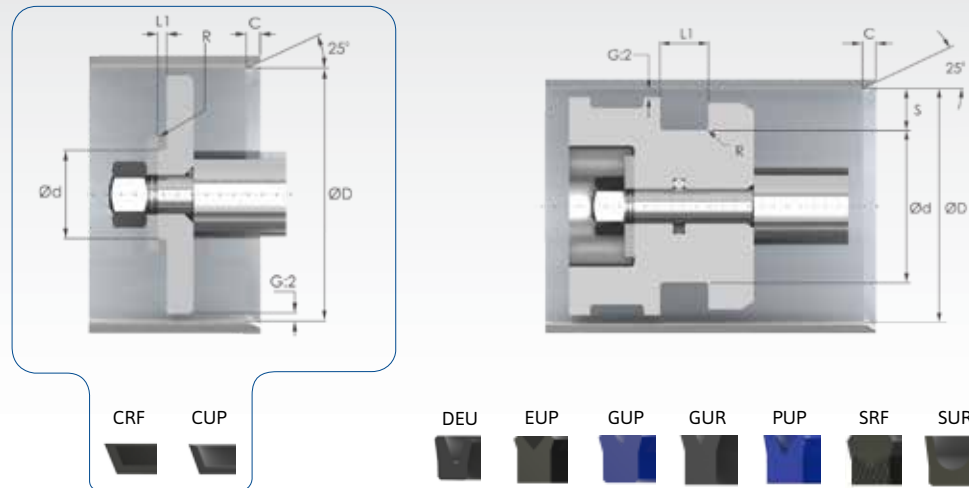
PART N°	PROFILE	HOUSING DIMENSIONS				REFERENCE N°	ALTERNATIVE REFERENCE N°
		ØD	Ød	SH	L1		
EUPI212275-500B	EUP	2.750	2.125	0.500	0.550	R30077	
EUPI225275-250A	EUP	2.750	2.250	0.250	0.275	R30081A	
EUPI225275-250B	EUP	2.750	2.250	0.250	0.275	R30081	
EUPI225275-312B	EUP	2.750	2.250	0.312	0.343	RMD1149	
GUPI225275-375	GUP	2.750	2.250	0.375	0.413	R30207	
EUPI225275-375A	EUP	2.750	2.250	0.375	0.413	RMD265A	
EUPI225275-375B	EUP	2.750	2.250	0.375	0.413	RMD265	
EUPI237275-187A	EUP	2.750	2.375	0.187	0.207	R09089A	
EUPI237275-187B	EUP	2.750	2.375	0.187	0.207	R09089	L426
SURI237275-187	SUR	2.750	2.375	0.187	0.218	RF5061	
EUPI237275-250B	EUP	2.750	2.375	0.250	0.275	RMD167	
EUPI237275-375A	EUP	2.750	2.375	0.375	0.413	R30083A	
EUPI237275-375B	EUP	2.750	2.375	0.375	0.413	R30083	
EUPI237275-500B	EUP	2.750	2.375	0.500	0.550	RMD1085	
EUPI250275-125A	EUP	2.750	2.500	0.125	0.150	RMD066A	
EUPI250275-125B	EUP	2.750	2.500	0.125	0.150	RMD066	
EUPI250275-250B	EUP	2.750	2.500	0.250	0.275	RMD067	
EUPI250275-250	GUP	2.750	2.500	0.250	0.275	R30872	
EUPI250275-375B	EUP	2.750	2.500	0.375	0.413	RMD951	
GURI206281-375	GUR	2.812	2.062	0.375	0.438		
CUPI287000-500/1	CUP	2.875	0.000	0.500	0.125	R69734	
CUPI287000-500	CUP	2.875	0.000	0.500	0.125	R69733	
CUPI287037-625	CUP	2.875	0.375	0.625	0.156	R00684	S762
CRFI287100-500	CRF	2.875	1.000	0.500	0.156		
CUPI287100-500	CUP	2.875	1.000	0.500	0.187	R69735	
GURI200287-375	GUR	2.875	2.000	0.375	0.437		
EUPI212287-341B	EUP	2.875	2.125	0.341	0.375	R00095	MU28
EUPI212287-375A	EUP	2.875	2.125	0.375	0.413	RMD528A	
EUPI212287-375B	EUP	2.875	2.125	0.375	0.413	RMD528	
DEUI287212-500	DEU	2.875	2.125	0.500	0.562	RF5193	DE287212
EUPI212287-515B	EUP	2.875	2.125	0.515	0.567	R00026	L28
EUPI212287-625A	EUP	2.875	2.125	0.625	0.687		
SURI225287-312	SUR	2.875	2.250	0.312	0.343	R00455	SU33
EUPI225287-312B	EUP	2.875	2.250	0.312	0.343	RMD1242	
EUPI225287-312A	EUP	2.875	2.250	0.312	0.343	R30082A	
EUPI225287-375B	EUP	2.875	2.250	0.375	0.400		
EUPI225287-500B	EUP	2.875	2.250	0.500	0.525	R09165	MU567
EUPI237287-241B	EUP	2.875	2.375	0.241	0.265	R09171	MU558
EUPI237287-250A	EUP	2.875	2.375	0.250	0.275	R30084A	
EUPI237287-250B	EUP	2.875	2.375	0.250	0.275	R30084	
EUPI237287-375B	EUP	2.875	2.375	0.375	0.413	RMD782	
EUPI250287-187A	EUP	2.875	2.500	0.187	0.207	R09172A	
EUPI250287-187B	EUP	2.875	2.500	0.187	0.212	RMD1424	
GUPI250287-187	GUP	2.875	2.500	0.187	0.212	R46168	
SURI250287-187	SUR	2.875	2.500	0.187	0.218	RF5064	

PART N°	PROFILE	HOUSING DIMENSIONS				REFERENCE N°	ALTERNATIVE REFERENCE N°
		ØD	Ød	SH	L1		
PUPI288250-218	PUP	2.875	2.500	0.218	0.258		
DEUI287250-219	DEU	2.875	2.500	0.219	0.281	RF5194	DE287
EUPI250287-250B	EUP	2.875	2.500	0.250	0.275	RMD171	
EUPI250287-312B	EUP	2.875	2.500	0.312	0.343	RMD172	
EUPI250287-375B	EUP	2.875	2.500	0.375	0.413	RMD173	
EUPI262287-125A	EUP	2.875	2.625	0.125	0.138	RMD952A	
EUPI262287-125B	EUP	2.875	2.625	0.125	0.138	RMD952	
GURI212293-375	GUR	2.937	2.125	0.375	0.438		
EUPI250293-218B	EUP	2.937	2.500	0.218	0.240	RMD1116	
EUPI250293-218A	EUP	2.937	2.500	0.218	0.240	RMD1115	
SURI250293-218	SUR	2.937	2.500	0.218	0.250	RF5065	
CUPI300000-625/1	CUP	3.000	0.000	0.625	0.125	R69736	
CUPI300000-625	CUP	3.000	0.000	0.625	0.187	R69737	
CUPI300032-750	CUP	3.000	0.328	0.750	0.187	R03696	S765
CUPI300050-500	CUP	3.000	0.500	0.500	0.156	R03692	S1429
CUPI300050-750	CUP	3.000	0.500	0.750	0.156	R03928	
CRFI300075-500	CRF	3.000	0.750	0.500	0.125	R07281	S4122
CUPI300075-625	CUP	3.000	0.750	0.625	0.156	R00685	S548
CUPI300100-500	CUP	3.000	1.000	0.500	0.187	R69738	
EUPI175300-625B	EUP	3.000	1.750	0.625	0.650	RMD832	
EUPI175300-625A	EUP	3.000	1.750	0.625	0.687	RMD832A	
EUPI175300-750B	EUP	3.000	1.750	0.750	0.775	R09154	L356
EUPI187300-625B	EUP	3.000	1.875	0.625	0.650	R09158	L354
EUPI200300-500A	EUP	3.000	2.000	0.500	0.550	RMD706A	
EUPI200300-500B	EUP	3.000	2.000	0.500	0.550	RMD706	
EUPI200300-750B	EUP	3.000	2.000	0.750	0.825	R30073	
GURI218300-375	GUR	3.000	2.187	0.375	0.438		
EUPI225300-341B	EUP	3.000	2.250	0.341	0.375	R00096	MU29
EUPI225300-375B	EUP	3.000	2.250	0.375	0.400		
SURI225300-375	SUR	3.000	2.250	0.375	0.406	RF5059	
GUPI225300-375	GUP	3.000	2.250	0.375	0.413	RMD1275	
EUPI225300-375A	EUP	3.000	2.250	0.375	0.413	RMD1273	
GURI225300-375	GUR	3.000	2.250	0.375	0.438		
EUPI225300-500B	EUP	3.000	2.250	0.500	0.550	RMD532	
DEUI300225-500	DEU	3.000	2.250	0.500	0.563	R59942	DE300226
EUPI225300-515B	EUP	3.000	2.250	0.515	0.567	R00027	L29
SRFI225300-562	SRF	3.000	2.250	0.562	0.582	R30489	
EUPI225300-625B	EUP	3.000	2.250	0.625	0.687	RMD533	
DEUI300228-344	DEU	3.000	2.285	0.344	0.406	RF5195	DE300
EUPI237300-312A	EUP	3.000	2.375	0.312	0.337	RMD426A	
EUPI237300-312B	EUP	3.000	2.375	0.312	0.337	RMD426	
GUPI237300-312	GUP	3.000	2.375	0.312	0.343	R30208	
SURI237300-312	SUR	3.000	2.375	0.312	0.343	R00456	SU34
GUPI237300-375	GUP	3.000	2.375	0.413	0.413	R30883	
EUPI237300-500B	EUP	3.000	2.375	0.500	0.525	R09090	L427



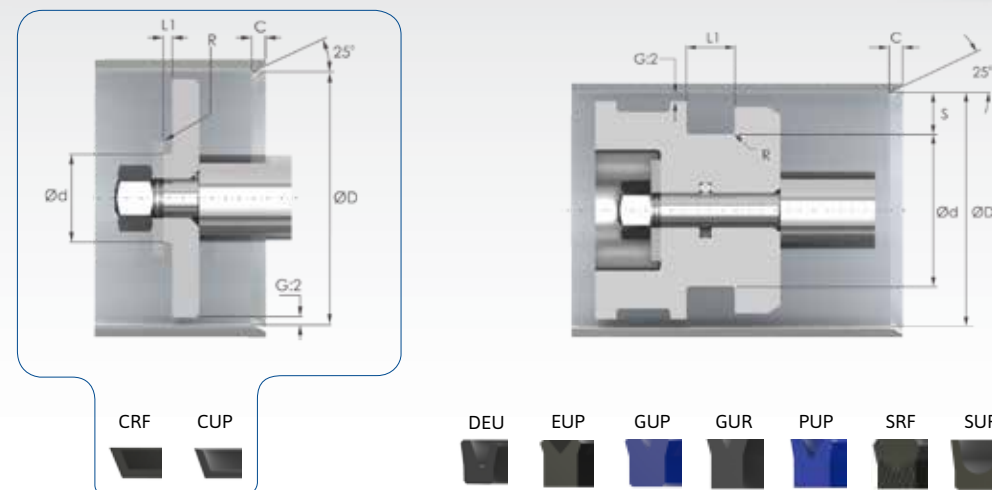
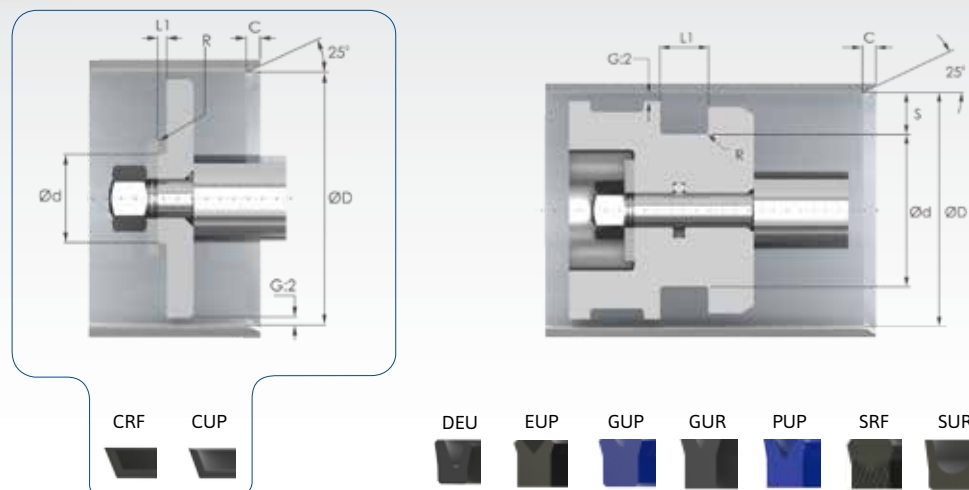
PART N°	PROFILE	HOUSING DIMENSIONS				REFERENCE N°	ALTERNATIVE REFERENCE N°
		ØD	Ød	SH	L1		
PUPI300237-500	PUP	3.000	2.375	0.500	0.550	R52557	
EUPI237300-562B	EUP	3.000	2.375	0.562	0.587	RMD425	
EUPI250300-250A	EUP	3.000	2.500	0.250	0.275		
EUPI250300-250B	EUP	3.000	2.500	0.250	0.275	RMD267	
PUPI300250-250	PUP	3.000	2.500	0.250	0.275	RF3019	
SRFI250300-312	SRF	3.000	2.500	0.312	0.332	R89046	
GUPI250300-312	GUP	3.000	2.500	0.312	0.343		
EUPI250300-312B	EUP	3.000	2.500	0.312	0.343	R30085	
PUPI300250-343	PUP	3.000	2.500	0.343	0.383		
PUPI300250-375	PUP	3.000	2.500	0.375	0.413		
GUPI250300-375	GUP	3.000	2.500	0.375	0.413	R30209	
EUPI250300-375A	EUP	3.000	2.500	0.375	0.413	RMD255A	
EUPI250300-375B	EUP	3.000	2.500	0.375	0.413	RMD255	
EUPI250300-500B	EUP	3.000	2.500	0.500	0.550	RMD269	
SURI256300-218	SUR	3.000	2.562	0.218	0.250	RF5066	
EUPI262300-187A	EUP	3.000	2.625	0.187	0.207	R09180A	
EUPI262300-187B	EUP	3.000	2.625	0.187	0.207	R09180	MU564
SURI262300-187	SUR	3.000	2.625	0.187	0.218		
EUPI262300-250B	EUP	3.000	2.625	0.250	0.275	RMD175	
GUPI262300-250	GUP	3.000	2.625	0.250	0.275	RMD1087	
EUPI262300-312B	EUP	3.000	2.625	0.312	0.343	R30087	
EUPI262300-375B	EUP	3.000	2.625	0.375	0.413	RMD176	
EUPI275300-125A	EUP	3.000	2.750	0.125	0.138	R30088A	
EUPI275300-125B	EUP	3.000	2.750	0.125	0.138	R30088	
GUPI275300-125	GUP	3.000	2.750	0.125	0.138	R30873	
EUPI275300-250B	EUP	3.000	2.750	0.250	0.275	RMD068	
EUPI275300-375B	EUP	3.000	2.750	0.375	0.413	RMD069	
EUPI237312-341B	EUP	3.125	2.375	0.341	0.375	R00097	MU30
GUPI237312-375	GUP	3.125	2.375	0.375	0.413	RMD1280	
EUPI237312-375A	EUP	3.125	2.375	0.375	0.413	RMD1279A	
EUPI237312-375B	EUP	3.125	2.375	0.375	0.413	RMD1279	
GURI237312-375	GUR	3.125	2.375	0.375	0.438		
DEUI312237-500	DEU	3.125	2.375	0.500	0.563	RF5196	DE312237
EUPI237312-515B	EUP	3.125	2.375	0.515	0.567	R00028	L30
EUPI237312-625B	EUP	3.125	2.375	0.625	0.687	RMD534	
GUPI250312-312	GUP	3.125	2.500	0.312	0.343	R30210	
SURI250312-312	SUR	3.125	2.500	0.312	0.343	R00457	SU35
EUPI250312-312A	EUP	3.125	2.500	0.312	0.344	R09175A	
EUPI250312-312B	EUP	3.125	2.500	0.312	0.350	R09175	MU511
GUPI250312-375	GUP	3.125	2.500	0.375	0.413	RMD1243	
EUPI250312-375B	EUP	3.125	2.500	0.375	0.413	R30086	
EUPI250312-437B	EUP	3.125	2.500	0.435	0.437	R09174	L336
GUPI250312-500	GUP	3.125	2.500	0.500	0.550	RMD1244	
EUPI250312-500B	EUP	3.125	2.500	0.500	0.550	RMD428	
EUPI250312-625B	EUP	3.125	2.500	0.625	0.687	RMD1245	

PART N°	PROFILE	HOUSING DIMENSIONS				REFERENCE N°	ALTERNATIVE REFERENCE N°
		ØD	Ød	SH	L1		
EUPI262312-250A	EUP	3.125	2.625	0.250	0.275	RMD270A	
EUPI262312-250B	EUP	3.125	2.625	0.250	0.275	RMD270	
DEUI312262-250	DEU	3.125	2.625	0.250	0.281	R58486	
GUPI262312-375	GUP	3.125	2.625	0.375	0.413	R30211	
EUPI262312-375B	EUP	3.125	2.625	0.375	0.413	RMD271	
EUPI275312-187B	EUP	3.125	2.750	0.187	0.212	R30089	
GUPI275312-187	GUP	3.125	2.750	0.187	0.212	RMD1088	
SURI275312-187	SUR	3.125	2.750	0.187	0.218	RF5068	
EUPI275312-312A	EUP	3.125	2.750	0.312	0.343	RMD178A	
EUPI275312-312B	EUP	3.125	2.750	0.312	0.343	RMD178	
GUPI275312-375	GUP	3.125	2.750	0.375	0.413	RMD1089	
EUPI275312-375A	EUP	3.125	2.750	0.375	0.413	RMD179A	
EUPI275312-375B	EUP	3.125	2.750	0.375	0.413	RMD179	
EUPI287312-250B	EUP	3.125	2.875	0.250	0.275	RMD070	
EUPI275312-187A	EUP	3.125	3.125	0.187	0.212	R30089A	
SURI275318-218	SUR	3.187	2.750	0.218	0.250	RF5069	
EUPI275318-375B	EUP	3.187	2.750	0.375	0.413	RMD1117	
CUPI325000-500	CUP	3.250	0.000	0.500	0.125	R69741	
CUPI325000-625/1	CUP	3.250	0.000	0.625	0.125	R69739	
CUPI325000-625	CUP	3.250	0.000	0.625	0.187	RF2936	
CUPI325075-625	CUP	3.250	0.750	0.625	0.156	R00686	S1261
CRFI325100-500	CRF	3.250	1.000	0.500	0.250	R07202	
CRFI325100-812	CRF	3.250	1.000	0.812	0.250	R07198	S1254
CUPI325113-500	CUP	3.250	1.125	0.500	0.156	R69742	
EUPI175325-875B	EUP	3.250	1.750	0.875	0.900	R09155	L355
EUPI200325-625A	EUP	3.250	2.000	0.625	0.687	RMD1385A	
EUPI200325-625B	EUP	3.250	2.000	0.625	0.687	RMD1385	
EUPI25325-500B	EUP	3.250	2.250	0.500	0.525	RMD708	
EUPI225325-500A	EUP	3.250	2.250	0.500	0.550	RMD708A	
EUPI225325-1000B	EUP	3.250	2.250	1.000	1.025	R09166	L309
EUPI250325-341B	EUP	3.250	2.500	0.341	0.375	R00098	MU31
GURI250325-375	GUR	3.250	2.500	0.375	0.400		
SURI250325-375	SUR	3.250	2.500	0.375	0.400	R00458	SU36
EUPI250325-375A	EUP	3.250	2.500	0.375	0.413	RMD536A	
EUPI250325-375B	EUP	3.250	2.500	0.375	0.413	RMD536	
EUPI250325-500B	EUP	3.250	2.500	0.500	0.550	RMD537	
DEUI325250-500	DEU	3.250	2.500	0.500	0.562	R55702	
EUPI250325-515B	EUP	3.250	2.500	0.515	0.567	R00029	L31
SRFI250325-562	SRF	3.250	2.500	0.562	0.582	R30491	
EUPI250325-562B	EUP	3.250	2.500	0.562	0.619	RMD1282	
EUPI250325-625B	EUP	3.250	2.500	0.625	0.687	RMD539	
EUPI250325-750BM	EUP	3.250	2.500	0.750	0.825		
EUPI262325-312A	EUP	3.250	2.625	0.312	0.343	RMD430A	
EUPI262325-312B	EUP	3.250	2.625	0.312	0.343	RMD430	
GURI262325-312	GUR	3.250	2.625	0.312	0.375		



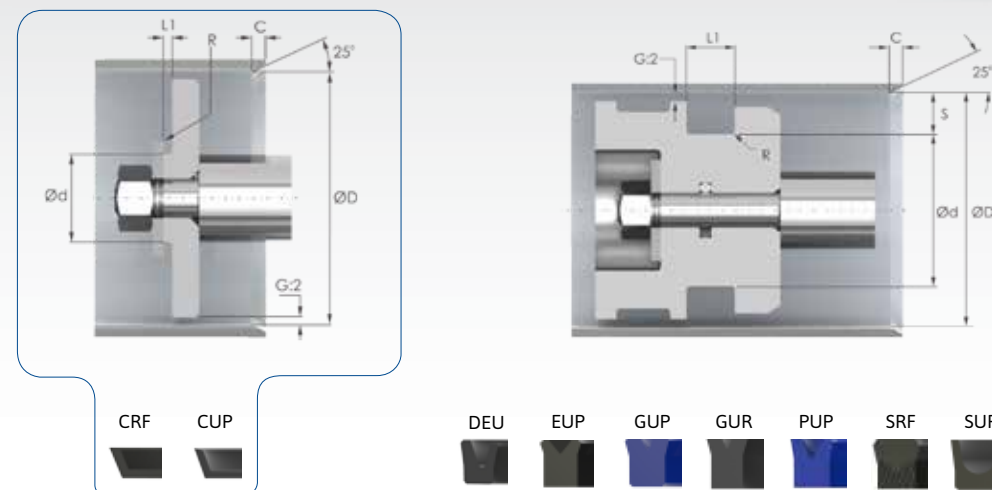
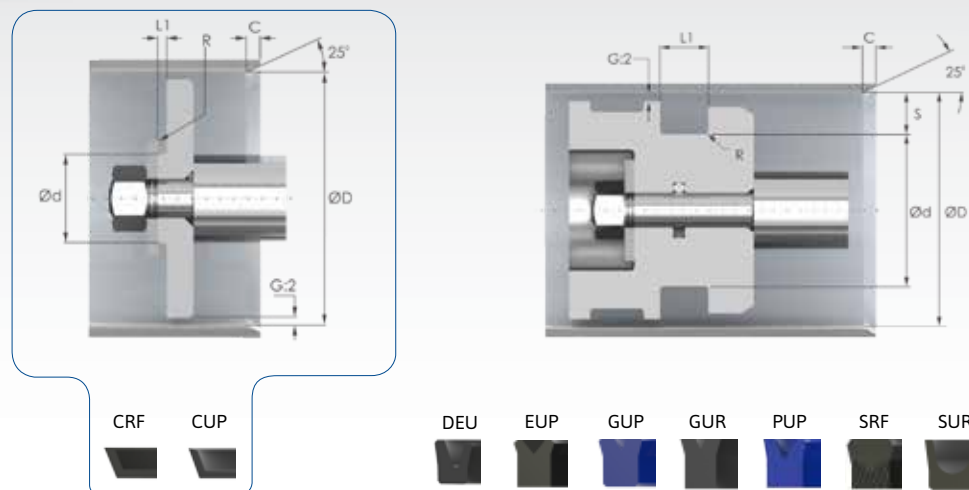
PART N°	PROFILE	HOUSING DIMENSIONS				REFERENCE N°	ALTERNATIVE REFERENCE N°
		ØD	Ød	SH	L1		
EUPI262325-500A	EUP	3.250	2.625	0.500	0.550	RMD431A	
EUPI262325-500B	EUP	3.250	2.625	0.500	0.550	RMD431	
EUPI262325-562B	EUP	3.250	2.625	0.562	0.587		
EUPI275325-250B	EUP	3.250	2.750	0.250	0.255	R09213	
EUPI275325-250A	EUP	3.250	2.750	0.250	0.275	R09213A	
GUPI275325-250	GUP	3.250	2.750	0.250	0.275	RMD1152	
SURI275325-250	SUR	3.250	2.750	0.250	0.281		
EUPI275325-312B	EUP	3.250	2.750	0.312	0.343	RMD272	
EUPI275325-375	GUP	3.250	2.750	0.375	0.413	RMD1154	
EUPI275325-375B	EUP	3.250	2.750	0.375	0.413	RMD1153	
EUPI281325-218A	EUP	3.250	2.812	0.218	0.240	RMD1118A	
EUPI281325-218B	EUP	3.250	2.812	0.218	0.240	RMD1118	
SURI281325-218	SUR	3.250	2.812	0.218	0.250	RF5071	
DEUI325281-276	DEU	3.250	2.812	0.276	0.344	RF5197	DE325
EUPI287325-187A	EUP	3.250	2.875	0.187	0.207	R11231A	
EUPI287325-187B	EUP	3.250	2.875	0.187	0.212	RMD180	
EUPI287325-250A	EUP	3.250	2.875	0.250	0.275	RMD181A	
EUPI287325-250B	EUP	3.250	2.875	0.250	0.275	RMD181	
EUPI287325-375B	EUP	3.250	2.875	0.375	0.413	RMD182	
EUPI300325-125B	EUP	3.250	3.000	0.125	0.138	RMD1034	
EUPI300325-125A	EUP	3.250	3.000	0.125	0.138	RMD1032	
CUPI337000-625/1	CUP	3.375	0.000	0.625	0.125	R69743	
CUPI337000-625	CUP	3.375	0.000	0.625	0.187	R69744	
EUPI237337-500A	EUP	3.375	2.375	0.500	0.550	RMD1350A	
EUPI237337-500B	EUP	3.375	2.375	0.500	0.550	RMD1350	
GURI237337-500	GUR	3.375	2.375	0.500	0.562		
EUPI250337-437B	EUP	3.375	2.500	0.437	0.462	R09178	MU555
EUPI250337-625B	EUP	3.375	2.500	0.625	0.650	R09177	L389
EUPI262337-375B	EUP	3.375	2.625	0.375	0.375	R09183	MU557
SURI262337-375	SUR	3.375	2.625	0.375	0.400	R00459	SU37
EUPI262337-375A	EUP	3.375	2.625	0.375	0.413	R09183A	
EUPI262337-562B	EUP	3.375	2.625	0.562	0.587	R09182	L393
EUPI262337-625B	EUP	3.375	2.625	0.625	0.687	RMD542	
EUPI275337-283B	EUP	3.375	2.750	0.283	0.315	R09091	MU572
EUPI275337-312A	EUP	3.375	2.750	0.312	0.343	RMD432A	
EUPI275337-312B	EUP	3.375	2.750	0.312	0.343	RMD432	
EUPI275337-375B	EUP	3.375	2.750	0.375	0.413	R30090	
EUPI275337-437B	EUP	3.375	2.750	0.437	0.462	R11217	L414
EUPI275337-500B	EUP	3.375	2.750	0.500	0.550	RMD437	
EUPI275337-562B	EUP	3.375	2.750	0.562	0.587		
EUPI287337-250A	EUP	3.375	2.875	0.250	0.275	RMD274A	
EUPI287337-250B	EUP	3.375	2.875	0.250	0.275	RMD274	
EUPI287337-375B	EUP	3.375	2.875	0.375	0.413	RMD275	
DEUI337287-375	DEU	3.375	2.875	0.375	0.438	RF5198	DE337
EUPI300337-187A	EUP	3.375	3.000	0.187	0.212	RMD183A	

PART N°	PROFILE	HOUSING DIMENSIONS				REFERENCE N°	ALTERNATIVE REFERENCE N°
		ØD	Ød	SH	L1		
EUPI300337-187B	EUP	3.375	3.000	0.187	0.212	RMD183	
SURI300337-187	SUR	3.375	3.000	0.187	0.218	RF5073	
EUPI300337-250B	EUP	3.375	3.000	0.250	0.275	R30093	
EUPI300337-312B	EUP	3.375	3.000	0.312	0.343	RMD189	
EUPI300337-312A	EUP	3.375	3.000	0.312	0.343	RMD1090	
EUPI300337-375B	EUP	3.375	3.000	0.375	0.413	RMD184	
EUPI312337-125A	EUP	3.375	3.125	0.125	0.138	RMD1033A	
EUPI312337-125B	EUP	3.375	3.125	0.125	0.138	RMD1033	
EUPI300343-218A	EUP	3.437	3.000	0.218	0.240	RMD1119A	
EUPI300343-218B	EUP	3.437	3.000	0.218	0.240	RMD1119	
SURI300343-218	SUR	3.437	3.000	0.218	0.250	RF5074	
CUPI350000-625/5	CUP	3.500	0.000	0.625	0.125	R69832	
CUPI350000-625/2	CUP	3.500	0.000	0.625	0.125	R69745	
CUPI350000-625	CUP	3.500	0.000	0.625	0.156	RF2938	
CUPI350000-625/1	CUP	3.500	0.000	0.625	0.156	R69746	
CUPI350000-625/4	CUP	3.500	0.000	0.625	0.187	R69748	
CUPI350000-625/3	CUP	3.500	0.000	0.625	0.187	R69747	
CRFI350025-750	CRF	3.500	0.250	0.750	0.170	R45288	
CRFI350037-562	CRF	3.500	0.375	0.562	0.156	R07199	S1240
CUPI350050-500	CUP	3.500	0.500	0.500	0.125	R03704	S764
CRFI350062-625	CRF	3.500	0.625	0.625	0.156	R07283	S3632
CUPI350075-625	CUP	3.500	0.750	0.625	0.156	R00687	S1436
CRFI350187-625	CRF	3.500	1.875	0.625	0.187	R07200	S642
CUPI350219-500	CUP	3.500	2.187	0.500	0.125	R69749	
EUPI225350-625A	EUP	3.500	2.250	0.625	0.687	RMD1386A	
EUPI225350-625B	EUP	3.500	2.250	0.625	0.687	RMD1386	
EUPI250350-500A	EUP	3.500	2.500	0.500	0.550	RMD709A	MU525
EUPI250350-500B	EUP	3.500	2.500	0.500	0.550	RMD709	
EUPI250350-750A	EUP	3.500	2.500	0.750	0.825	RMD710A	
EUPI250350-750B	EUP	3.500	2.500	0.750	0.825	RMD710	
EUPI275350-341B	EUP	3.500	2.750	0.341	0.375	R00099	MU32
SURI275350-375	SUR	3.500	2.750	0.375	0.400	R00460	SU38
GUPI275350-375	GUP	3.500	2.750	0.375	0.413	RMD1284	
EUPI275350-375A	EUP	3.500	2.750	0.375	0.413	RMD543A	
EUPI275350-375B	EUP	3.500	2.750	0.375	0.413	RMD543	
EUPI275350-500B	EUP	3.500	2.750	0.500	0.550	RMD544	
DEUI350275-500	DEU	3.500	2.750	0.500	0.563	RF5199	DE350275
EUPI275350-515B	EUP	3.500	2.750	0.515	0.567	R00030	L32
SRFI275350-562	SRF	3.500	2.750	0.562	0.582	R50454	
EUPI275350-625B	EUP	3.500	2.750	0.625	0.687	RMD545	
EUPI287350-312A	EUP	3.500	2.875	0.312	0.343	RMD435A	
EUPI287350-312B	EUP	3.500	2.875	0.312	0.343	RMD435	
SURI287350-312	SUR	3.500	2.875	0.312	0.344		
GURI287350-312	GUR	3.500	2.875	0.312	0.375		
EUPI287350-375B	EUP	3.500	2.875	0.375	0.413	RMD434	



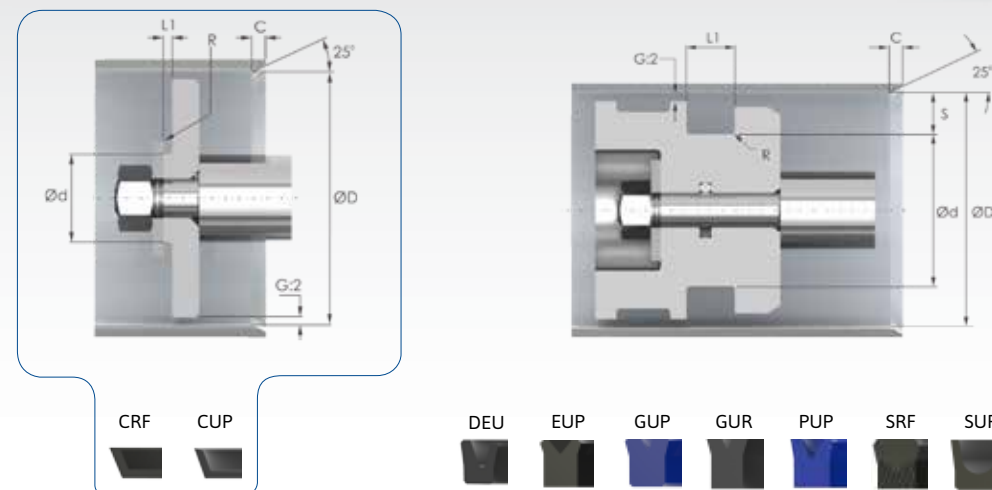
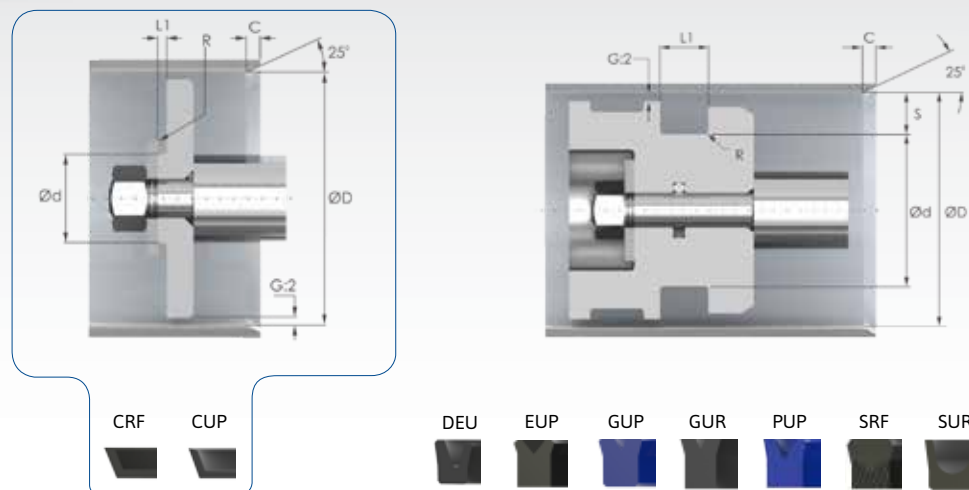
PART N°	PROFILE	HOUSING DIMENSIONS				REFERENCE N°	ALTERNATIVE REFERENCE N°
		ØD	Ød	SH	L1		
EUPI287350-500B	EUP	3.500	2.875	0.500	0.550	RMD439	
EUPI300350-250A	EUP	3.500	3.000	0.250	0.275	RMD266A	
EUPI300350-250B	EUP	3.500	3.000	0.250	0.275	RMD266	
GUPI300350-250	GUP	3.500	3.000	0.250	0.275	RMD1155	
PUPI350300-250	PUP	3.500	3.000	0.250	0.290		
DEUI350300-250	DEU	3.500	3.000	0.250	0.312	R85620	
EUPI300350-312B	EUP	3.500	3.000	0.312	0.343	RMD1006	
GUPI300350-312	GUP	3.500	3.000	0.312	0.343	RMD1156	
GUPI300350-375	GUP	3.500	3.000	0.375	0.413	RMD1157	
PUPI350300-375	PUP	3.500	3.000	0.375	0.413	RF3032	
EUPI300350-375B	EUP	3.500	3.000	0.375	0.413	R09215	L365
EUPI300350-500B	EUP	3.500	3.000	0.500	0.550	RMD268	
SURI306350-218	SUR	3.500	3.062	0.218	0.250	RF5077	
EUPI312350-187A	EUP	3.500	3.125	0.187	0.212	RMD185A	
EUPI312350-187B	EUP	3.500	3.125	0.187	0.212	RMD185	
EUPI312350-250B	EUP	3.500	3.125	0.250	0.275	RMD188	
EUPI312350-312B	EUP	3.500	3.125	0.312	0.340	R09677	L463
GUPI312350-375	GUP	3.500	3.125	0.375	0.413	RMD1091	
PUPI350312-375	PUP	3.500	3.125	0.375	0.413	RF3034	
EUPI312350-375B	EUP	3.500	3.125	0.375	0.413	RMD186	
EUPI313350-437B	EUP	3.500	3.130	0.437	0.462	R09218	L369
EUPI325350-125B	EUP	3.500	3.250	0.125	0.138	RMD073	
EUPI298352-375B	EUP	3.520	2.987	0.375	0.400	R09214	L335
DEUI362300-375	DEU	3.620	3.000	0.375	0.438	RF5200	DE362
CUPI362000-625	CUP	3.625	0.000	0.625	0.125	R69750	
CRFI362100-750	CRF	3.625	1.000	0.750	0.187	R07285	S4124
EUPI237362-625A	EUP	3.625	2.375	0.625	0.687	RMD1387A	
EUPI237362-625B	EUP	3.625	2.375	0.625	0.687	RMD1387	
EUPI275362-437A	EUP	3.625	2.750	0.437	0.480	RMD1344A	
EUPI275362-437B	EUP	3.625	2.750	0.437	0.480	RMD1344	
SURI287362-375	SUR	3.625	2.875	0.375	0.400	R00461	SU39
EUPI287362-375A	EUP	3.625	2.875	0.375	0.413	RMD1285A	
EUPI287362-375B	EUP	3.625	2.875	0.375	0.413	RMD1285	
GUPI287362-625	GUP	3.625	2.875	0.625	0.687	RMD1287	
EUPI287362-625B	EUP	3.625	2.875	0.625	0.687	RMD1286	
EUPI300362-312B	EUP	3.625	3.000	0.312	0.337		
EUPI300362-312A	EUP	3.625	3.000	0.312	0.344	R09217A	
GURI300362-312	GUR	3.625	3.000	0.312	0.375		
EUPI300362-375B	EUP	3.625	3.000	0.375	0.413	RMD1428	
GUPI300362-500	GUP	3.625	3.000	0.500	0.550	RMD1246	
EUPI300362-500B	EUP	3.625	3.000	0.500	0.550	RMD871	
EUPI300362-562B	EUP	3.625	3.000	0.562	0.619	RMD436	
EUPI312362-250A	EUP	3.625	3.125	0.250	0.275	RMD277A	
EUPI312362-250B	EUP	3.625	3.125	0.250	0.275	RMD277	
EUPI312362-375B	EUP	3.625	3.125	0.375	0.413	RMD316	

PART N°	PROFILE	HOUSING DIMENSIONS				REFERENCE N°	ALTERNATIVE REFERENCE N°
		ØD	Ød	SH	L1		
EUPI325362-187B	EUP	3.625	3.250	0.187	0.212	RMD187	
EUPI325362-187A	EUP	3.625	3.250	0.187	0.212	RMD1092	
EUPI325362-375B	EUP	3.625	3.250	0.375	0.413	RMD1094	
CUPI375000-625	CUP	3.750	0.000	0.625	0.125	R69751	
CRFI375050-750	CRF	3.750	0.500	0.750	0.170	RF2941	
CRFI375075-625	CRF	3.750	0.750	0.625	0.156	R07201	S1942
CUPI375075-625	CUP	3.750	0.750	0.625	0.219	R00688	S294
CUPI375119-625	CUP	3.750	1.187	0.625	0.125	R69752	
EUPI250375-625A	EUP	3.750	2.500	0.625	0.687	RMD1388A	
EUPI250375-625B	EUP	3.750	2.500	0.625	0.687	RMD1388	
GURI275375-375	GUR	3.750	2.750	0.375	0.438		
EUPI275375-500A	EUP	3.750	2.750	0.500	0.550	RMD711A	
EUPI275375-500B	EUP	3.750	2.750	0.500	0.550	RMD711	
EUPI300375-341B	EUP	3.750	3.000	0.341	0.375	R00100	MU33
SURI300375-375	SUR	3.750	3.000	0.375	0.400	R00462	SU40
EUPI300375-375A	EUP	3.750	3.000	0.375	0.413	RMD550A	
EUPI300375-375B	EUP	3.750	3.000	0.375	0.413	RMD550	
PUPI375300-375	PUP	3.750	3.000	0.375	0.414		
EUPI300375-500B	EUP	3.750	3.000	0.500	0.550	RMD551	
DEUI375300-500	DEU	3.750	3.000	0.500	0.563	R51232	DE375300
EUPI300375-515B	EUP	3.750	3.000	0.515	0.567	R00031	L33
EUPI300375-625B	EUP	3.750	3.000	0.625	0.687	RMD552	
DEUI375303-290	DEU	3.750	3.031	0.290	0.344	RF5201	DE375
EUPI312375-312A	EUP	3.750	3.125	0.312	0.343	RMD278A	
EUPI312375-312B	EUP	3.750	3.125	0.312	0.343	RMD278	
EUPI318375-500B	EUP	3.750	3.187	0.500	0.550	RMD1215	
EUPI325375-250A	EUP	3.750	3.250	0.250	0.275	RMD285A	
EUPI325375-250B	EUP	3.750	3.250	0.250	0.275	RMD285	
GUPI325375-250	GUP	3.750	3.250	0.250	0.275	RMD1158	
GUPI325375-375	GUP	3.750	3.250	0.375	0.413		
EUPI325375-375B	EUP	3.750	3.250	0.375	0.413	RMD280	
EUPI325375-562BM	EUP	3.750	3.250	0.562	0.618		
EUPI337375-187A	EUP	3.750	3.375	0.187	0.212	RMD1095A	
EUPI337375-187B	EUP	3.750	3.375	0.187	0.212	RMD1007	
EUPI337375-250B	EUP	3.750	3.375	0.250	0.275		
EUPI337375-375B	EUP	3.750	3.375	0.375	0.413	RMD191	
EUPI337375-375A	EUP	3.750	3.375	0.375	0.413	RMD1096	
EUPI350375-125A	EUP	3.750	3.500	0.125	0.138	R30102A	
EUPI350375-125B	EUP	3.750	3.500	0.125	0.138	R30102	
EUPI320377-515	EUP	3.775	3.200	0.515	0.540	R09093	L413
CUPI388000-500	CUP	3.875	0.000	0.500	0.094	R69753	
CRFI387112-812	CRF	3.875	1.125	0.812	0.250	R07203	S1527
CRFI387112-875	CRF	3.875	1.125	0.875	0.250	R07204	
GURI300387-375	GUR	3.875	3.000	0.375	0.437		
GURI312387-375	GUR	3.875	3.125	0.375	0.400		



PART N°	PROFILE	HOUSING DIMENSIONS				REFERENCE N°	ALTERNATIVE REFERENCE N°
		ØD	Ød	SH	L1		
EUPI312387-375A	EUP	3.875	3.125	0.375	0.413	RMD553A	
EUPI312387-375B	EUP	3.875	3.125	0.375	0.413	RMD553	
EUPI312387-625B	EUP	3.875	3.125	0.625	0.687	RMD554	
EUPI325387-312A	EUP	3.875	3.250	0.312	0.343	RMD279A	
EUPI325387-312B	EUP	3.875	3.250	0.312	0.343	RMD279	
EUPI325387-500B	EUP	3.875	3.250	0.500	0.550	RMD281	
EUPI325387-562B	EUP	3.875	3.250	0.562	0.587	R09221	L368
EUPI337387-250A	EUP	3.875	3.375	0.250	0.275	RMD282A	
EUPI337387-250B	EUP	3.875	3.375	0.250	0.275	RMD282	
SURI337387-250	SUR	3.875	3.375	0.250	0.281	RF5161	
GUPI337387-375	GUP	3.875	3.375	0.375	0.413	RMD1161	
EUPI337387-375B	EUP	3.875	3.375	0.375	0.413	RMD283	
DEUI387337-375	DEU	3.875	3.375	0.375	0.438	RF5202	DE387
EUPI350387-187A	EUP	3.875	3.500	0.187	0.212	RMD192A	
EUPI350387-187B	EUP	3.875	3.500	0.187	0.212	RMD192	
GUPI350387-375	GUP	3.875	3.500	0.375	0.413	RMD1098	
EUPI350387-375B	EUP	3.875	3.500	0.375	0.413	RMD193	
EUPI362387-187B	EUP	3.875	3.625	0.187	0.212	RMD071	
CUPI400000-500	CUP	4.000	0.000	0.500	0.125	RF2942	
CUPI400000-500/1	CUP	4.000	0.000	0.500	0.125	R69755	
CUPI400000-625/2	CUP	4.000	0.000	0.625	0.125	R69756	
CUPI400000-625	CUP	4.000	0.000	0.625	0.156	RF2943	
CUPI400000-625/1	CUP	4.000	0.000	0.625	0.187	R69757	
CUPI400000-750	CUP	4.000	0.000	0.750	0.187	R69758	
CRFI400050-750	CRF	4.000	0.500	0.750	0.172	R07288	S3775
CUPI400075-500	CUP	4.000	0.750	0.500	0.187	R69759	
CUPI400075-625	CUP	4.000	0.750	0.625	0.156	R00689	
CRFI400100-500	CRF	4.000	1.000	0.500	0.125	R07287	S4126
CUPI400275-500	CUP	4.000	2.750	0.500	0.125	R03706	S1498
EUPI275400-625A	EUP	4.000	2.750	0.625	0.687	RMD838A	
EUPI275400-625B	EUP	4.000	2.750	0.625	0.687	RMD838	
EUPI300400-500B	EUP	4.000	3.000	0.500	0.550	RMD812	
EUPI300400-500A	EUP	4.000	3.000	0.500	0.550	RMD712A	
EUPI300400-687B	EUP	4.000	3.000	0.687	0.712	RMD813	
EUPI300400-750A	EUP	4.000	3.000	0.750	0.825	RMD713A	
EUPI300400-750B	EUP	4.000	3.000	0.750	0.825	RMD713	
GURI306400-500	GUR	4.000	3.062	0.500	0.563		
EUPI312400-437A	EUP	4.000	3.125	0.437	0.462	RMD688A	
EUPI312400-437B	EUP	4.000	3.125	0.437	0.462	RMD688	
EUPI325400-341B	EUP	4.000	3.250	0.341	0.375	R00101	MU34
GURI325400-375	GUR	4.000	3.250	0.375	0.400		
SURI325400-375	SUR	4.000	3.250	0.375	0.400	R07793	
GUPI325400-375	GUP	4.000	3.250	0.375	0.413		
PUPI400325-375	PUP	4.000	3.250	0.375	0.413	RF3038	
EUPI325400-375A	EUP	4.000	3.250	0.375	0.413	RMD556A	

PART N°	PROFILE	HOUSING DIMENSIONS				REFERENCE N°	ALTERNATIVE REFERENCE N°
		ØD	Ød	SH	L1		
EUPI325400-375B	EUP	4.000	3.250	0.375	0.413	RMD556	
DEUI400325-400	DEU	4.000	3.250	0.400	0.445		
EUPI325400-500B	EUP	4.000	3.250	0.500	0.550	RMD549	
DEUI400325-500	DEU	4.000	3.250	0.500	0.563	RF5203	DE400325
EUPI325400-515B	EUP	4.000	3.250	0.515	0.567	R00032	L34
SRFI325400-562	SRF	4.000	3.250	0.562	0.582	R30493	
EUPI325400-625B	EUP	4.000	3.250	0.625	0.687	RMD557	
EUPI337400-312A	EUP	4.000	3.375	0.312	0.343	RMD442A	
EUPI337400-312B	EUP	4.000	3.375	0.312	0.343	RMD442	
EUPI337400-500B	EUP	4.000	3.375	0.500	0.550	RMD1429	
EUPI337400-625B	EUP	4.000	3.375	0.625	0.687	RMD997	
EUPI350400-250A	EUP	4.000	3.500	0.250	0.275	RMD289A	
EUPI350400-250B	EUP	4.000	3.500	0.250	0.275	RMD289	
GUPI350400-250	GUP	4.000	3.500	0.250	0.275	RMD1162	
SURI350400-250	SUR	4.000	3.500	0.250	0.281	R85516	
EUPI350400-312B	EUP	4.000	3.500	0.312	0.343	RMD599	
GUPI350400-312	GUP	4.000	3.500	0.312	0.343	RMD1163	
PUPI400350-375H	PUP	4.000	3.500	0.375	0.413		
GUPI350400-375	GUP	4.000	3.500	0.375	0.413	RMD1164	
EUPI350400-375B	EUP	4.000	3.500	0.375	0.413	RMD288	
DEUI400350-375	DEU	4.000	3.500	0.375	0.437	R16727	
EUPI350400-390B	EUP	4.000	3.500	0.390	0.420	R09225	L388
EUPI350400-500B	EUP	4.000	3.500	0.500	0.550	RMD284	
EUPI362400-187A	EUP	4.000	3.625	0.187	0.212	RMD194A	
EUPI362400-187B	EUP	4.000	3.625	0.187	0.212	RMD194	
GUPI362400-187	GUP	4.000	3.625	0.187	0.212	RMD1099	
EUPI362400-250B	EUP	4.000	3.625	0.250	0.275	RMD998	
GUPI362400-375	GUP	4.000	3.625	0.375	0.413	RMD1100	
EUPI362400-375B	EUP	4.000	3.625	0.375	0.413	RMD195	
EUPI375400-125B	EUP	4.000	3.750	0.125	0.138	RMD072	
CUPI412000-625	CUP	4.125	0.000	0.625	0.125	R69760	
CUPI412212-500	CUP	4.125	2.125	0.500	0.156	R03709	S2872
EUPI325412-437A	EUP	4.125	3.250	0.437	0.480	RMD1345A	
EUPI325412-437B	EUP	4.125	3.250	0.437	0.480	RMD1345	
GURI331412-438	GUR	4.125	3.312	0.438	0.500		
EUPI337412-375B	EUP	4.125	3.375	0.375	0.413	RMD1291	
EUPI337412-375A	EUP	4.125	3.375	0.375	0.413	RMD1290	
GURI337412-375	GUR	4.125	3.375	0.375	0.438		
SRFI337412-562	SRF	4.125	3.375	0.562	0.582		
EUPI337412-562B	EUP	4.125	3.375	0.562	0.585	R09222	L361
EUPI337412-625B	EUP	4.125	3.375	0.625	0.687	RMD559	
EUPI337412-750B	EUP	4.125	3.375	0.750	0.825	RMD558	
EUPI350412-283B	EUP	4.125	3.500	0.283	0.315	R09095	MU573
EUPI350412-312A	EUP	4.125	3.500	0.312	0.343		
EUPI350412-312B	EUP	4.125	3.500	0.312	0.343	R09671	MU609



PART N°	PROFILE	HOUSING DIMENSIONS				REFERENCE N°	ALTERNATIVE REFERENCE N°
		ØD	Ød	SH	L1		
DEUI412350-312	DEU	4.125	3.500	0.312	0.375	RF5204	DE412
GUPI350412-375	GUP	4.125	3.500	0.375	0.413	RMD1247	
EUPI350412-375B	EUP	4.125	3.500	0.375	0.413		
EUPI350412-437B	EUP	4.125	3.500	0.437	0.462	R11218	L415
EUPI350412-500B	EUP	4.125	3.500	0.500	0.550	RMD446	
EUPI350412-750B	EUP	4.125	3.500	0.750	0.825	RMD444	
EUPI362412-250A	EUP	4.125	3.625	0.250	0.275	RMD286A	
EUPI362412-250B	EUP	4.125	3.625	0.250	0.275	RMD286	
EUPI362412-375B	EUP	4.125	3.625	0.375	0.413	RMD287	
EUPI375412-187A	EUP	4.125	3.750	0.187	0.212	RMD196A	
EUPI375412-187B	EUP	4.125	3.750	0.187	0.212	RMD196	
EUPI375412-375B	EUP	4.125	3.750	0.375	0.413	RMD197	
CUPI425000-625	CUP	4.250	0.000	0.625	0.187	R69761	
CRFI425075-625	CRF	4.250	0.750	0.625	0.156	R07290	
CUPI425119-625	CUP	4.250	1.187	0.625	0.125	R69762	
CRFI425225-625	CRF	4.250	2.250	0.625	0.156	R07207	S1949
CUPI425300-625	CUP	4.250	3.000	0.625	0.156	R03710	S2348
EUPI300425-625B	EUP	4.250	3.000	0.625	0.650	RMD839	
EUPI300425-625A	EUP	4.250	3.000	0.625	0.687	RMD839A	
EUPI325425-500B	EUP	4.250	3.250	0.500	0.550	RMD715	
EUPI325425-750B	EUP	4.250	3.250	0.750	0.825	RMD716	
EUPI350425-341B	EUP	4.250	3.500	0.341	0.375	R00102	MU35
SURI350425-375	SUR	4.250	3.500	0.375	0.406		
EUPI350425-375A	EUP	4.250	3.500	0.375	0.413	RMD968A	
EUPI350425-375B	EUP	4.250	3.500	0.375	0.413	RMD968	
GURI350425-375	GUR	4.250	3.500	0.375	0.438		
GUPI350425-500	GUP	4.250	3.500	0.500	0.550	RMD1292	
EUPI350425-500B	EUP	4.250	3.500	0.500	0.550	RMD561	
DEUI425350-500	DEU	4.250	3.500	0.500	0.562	R55703	
EUPI350425-515B	EUP	4.250	3.500	0.515	0.567	R00033	L35
SRFI350425-562	SRF	4.250	3.500	0.562	0.582	R30495	
EUPI350425-625B	EUP	4.250	3.500	0.625	0.687	RMD562	
EUPI362425-312A	EUP	4.250	3.625	0.312	0.343	R30105A	
EUPI362425-312B	EUP	4.250	3.625	0.312	0.343	R30105	
EUPI362425-500B	EUP	4.250	3.625	0.500	0.550	RMD448	
EUPI362425-562B	EUP	4.250	3.625	0.562	0.619	RMD999	
EUPI375425-250A	EUP	4.250	3.750	0.250	0.275		
SURI375425-250	SUR	4.250	3.750	0.250	0.281	RF5083	
EUPI375425-250B	EUP	4.250	3.750	0.250	0.290	RMD297	
DEUI425375-312	DEU	4.250	3.750	0.312	0.375	RF5205	DE425
GUPI375425-375	GUP	4.250	3.750	0.375	0.413	RMD1165	
EUPI375425-375B	EUP	4.250	3.750	0.375	0.413	RMD298	
EUPI375425-500B	EUP	4.250	3.750	0.500	0.525		
EUPI375425-562B	EUP	4.250	3.750	0.562	0.619	RMD290	
EUPI387425-187A	EUP	4.250	3.875	0.187	0.212	RMD1101A	

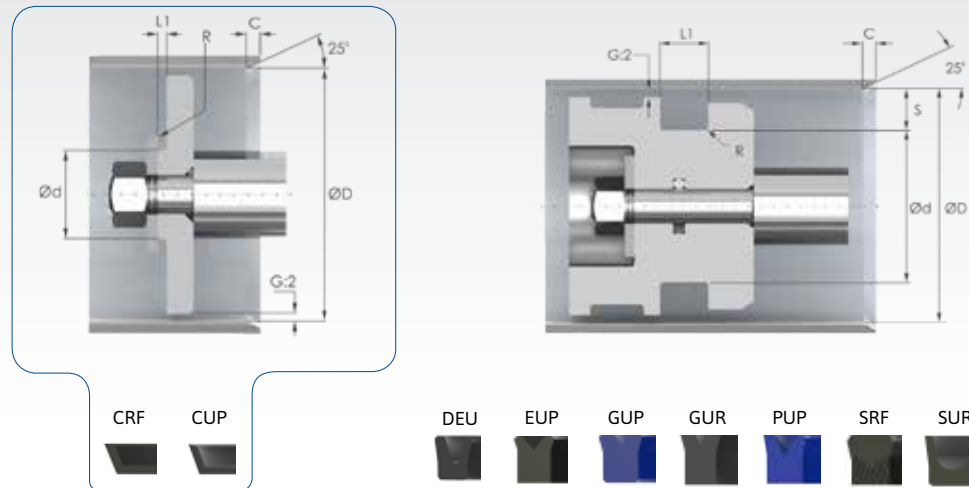
PART N°	PROFILE	HOUSING DIMENSIONS				REFERENCE N°	ALTERNATIVE REFERENCE N°
		ØD	Ød	SH	L1		
EUPI387425-187B	EUP	4.250	3.875	0.187	0.212	R30110	
EUPI387425-375B	EUP	4.250	3.875	0.375	0.413	RMD198	
EUPI400425-125A	EUP	4.250	4.000	0.125	0.138	RMD077A	
EUPI400425-125B	EUP	4.250	4.000	0.125	0.138	RMD077	
EUPI337437-500B	EUP	4.375	3.375	0.500	0.550	R30101	
EUPI362437-375A	EUP	4.375	3.625	0.375	0.413	RMD563A	
EUPI362437-375B	EUP	4.375	3.625	0.375	0.413	RMD563	
GURI362437-375	GUR	4.375	3.625	0.375	0.437		
EUPI362437-625B	EUP	4.375	3.625	0.625	0.687	RMD565	
DEUI437373-312	DEU	4.375	3.732	0.312	0.375	RF5206	DE437
EUPI375437-312B	EUP	4.375	3.750	0.312	0.343	RMD989	
EUPI375437-312A	EUP	4.375	3.750	0.312	0.343	RMD449A	
EUPI375437-375B	EUP	4.375	3.750	0.375	0.413	R30107	
EUPI375437-500B	EUP	4.375	3.750	0.500	0.550	RMD450	
EUPI375437-625B	EUP	4.375	3.750	0.625	0.687	RMD1248	
EUPI375437-875B	EUP	4.375	3.750	0.875	0.925	RMD990	
EUPI387437-250A	EUP	4.375	3.875	0.250	0.275	RMD291A	
EUPI387437-250B	EUP	4.375	3.875	0.250	0.275	RMD291	
EUPI387437-375B	EUP	4.375	3.875	0.375	0.413	R30111	
EUPI400437-187A	EUP	4.375	4.000	0.187	0.212	RMD200A	
EUPI400437-187B	EUP	4.375	4.000	0.187	0.212	RMD200	
GUPI400437-187	GUP	4.375	4.000	0.187	0.212	RMD1102	
EUPI400437-312B	EUP	4.375	4.000	0.312	0.343	RMD991	
EUPI400437-375A	EUP	4.375	4.000	0.375	0.413	RMD992A	
EUPI400437-375B	EUP	4.375	4.000	0.375	0.413	RMD201	
GUPI400437-375	GUP	4.375	4.000	0.375	0.413	RMD1103	
EUPI400437-500B	EUP	4.375	4.000	0.500	0.550	RMD993	
CUPI450000-625/1	CUP	4.500	0.000	0.625	0.125	R69763	
CUPI450000-625	CUP	4.500	0.000	0.625	0.187	RF2946	
CUPI450037-625	CUP	4.500	0.375	0.625	0.187	R03711	S669
CUPI450037-687	CUP	4.500	0.375	0.687	0.125	R03712	S763
CUPI450050-625	CUP	4.500	0.500	0.625	0.156	R00690	S836
CRFI450050-750	CRF	4.500	0.500	0.750	0.170	RF2947	
CUPI450100-750	CUP	4.500	1.000	0.750	0.187	RJ3713	
CUPI450275-625	CUP	4.500	2.750	0.625	0.156	R64516	
CUPI450300-375	CUP	4.500	3.000	0.375	0.125	R69765	
EUPI325450-625A	EUP	4.500	3.250	0.625	0.687	RMD840A	
EUPI325450-625B	EUP	4.500	3.250	0.625	0.687	RMD840	
EUPI325450-1000B	EUP	4.500	3.250	1.000	1.075	RMD994	
EUPI350450-455B	EUP	4.500	3.500	0.455	0.500	R00103	MU36
EUPI350450-500A	EUP	4.500	3.500	0.500	0.550	RMD717A	
EUPI350450-500B	EUP	4.500	3.500	0.500	0.550	RMD717	
DEUI450350-625	DEU	4.500	3.500	0.625	0.688	R15488	DE450350
EUPI350450-686B	EUP	4.500	3.500	0.686	0.755	R00034	L36
EUPI350450-750B	EUP	4.500	3.500	0.750	0.825	RMD1351	

PISTON SEALS SINGLE ACTING IMPERIAL

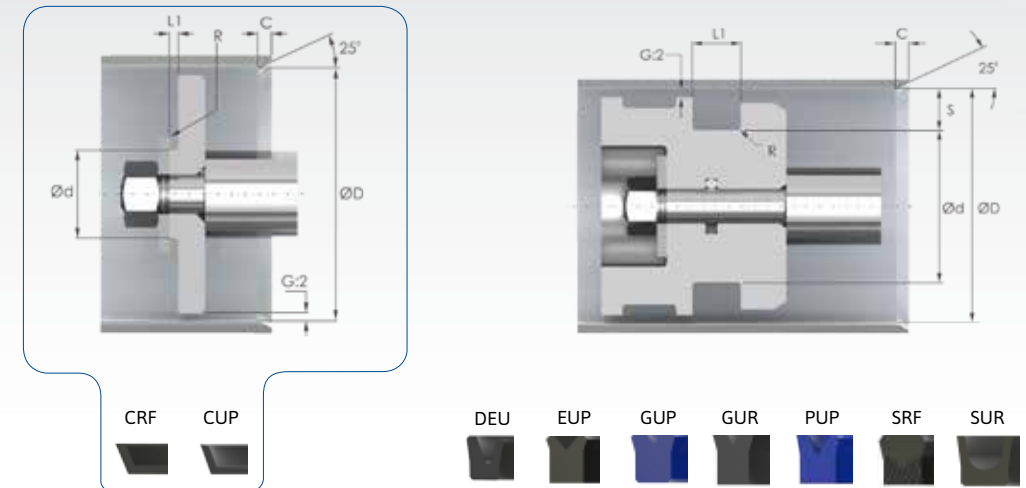
PISTON SEALS SINGLE ACTING IMPERIAL

PISTON SEALS SINGLE ACTING IMPERIAL

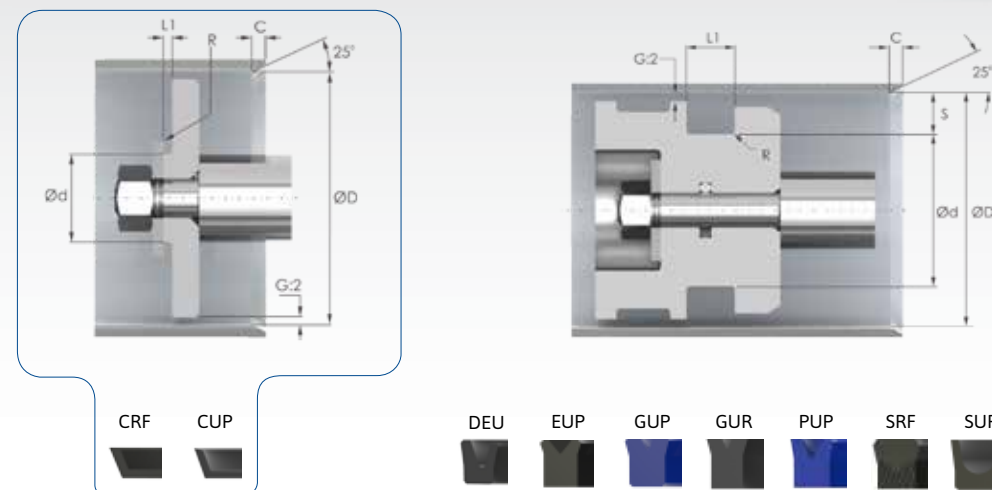
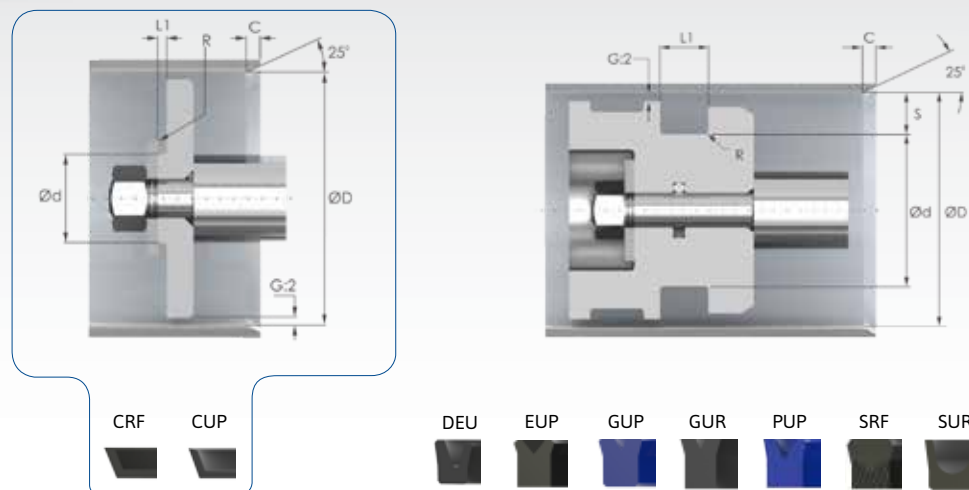
PISTON SEALS SINGLE ACTING IMPERIAL



PART N°	PROFILE	HOUSING DIMENSIONS				REFERENCE N°	ALTERNATIVE REFERENCE N°
		ØD	Ød	SH	L1		
GURI375450-375	GUR	4.500	3.750	0.375	0.400		
SURI375450-375	SUR	4.500	3.750	0.375	0.400	R07801	S398
EUPI375450-375A	EUP	4.500	3.750	0.375	0.413	RMD564A	
EUPI375450-375B	EUP	4.500	3.750	0.375	0.413	RMD564	
GUPI375450-375H	GUP	4.500	3.750	0.375	0.413		
GUPI375450-375	GUP	4.500	3.750	0.375	0.413	R30214	
SRFI375450-500	SRF	4.500	3.750	0.500	0.520	R89376	
GUPI375450-500	GUP	4.500	3.750	0.500	0.550	RMD1294	
EUPI375450-500B	EUP	4.500	3.750	0.500	0.550	RMD566	
EUPI375450-625B	EUP	4.500	3.750	0.625	0.650	RMD567	
EUPI387450-312B	EUP	4.500	3.875	0.312	0.343	RMD1431	
EUPI387450-312A	EUP	4.500	3.875	0.312	0.343	R30112A	
EUPI387450-375B	EUP	4.500	3.875	0.375	0.413	RMD452	
EUPI387450-500B	EUP	4.500	3.875	0.500	0.550	RMD487	
EUPI400450-250A	EUP	4.500	4.000	0.250	0.275	R09232A	
EUPI400450-250B	EUP	4.500	4.000	0.250	0.275	R09232	MU563
GUPI400450-250	GUP	4.500	4.000	0.250	0.275		
SURI400450-250	SUR	4.500	4.000	0.250	0.281		
EUPI400450-312B	EUP	4.500	4.000	0.312	0.343	RMD294	
EUPI400450-375B	EUP	4.500	4.000	0.375	0.413	RMD304	
GUPI400450-375	GUP	4.500	4.000	0.375	0.413	RMD1167	
EUPI400450-500B	EUP	4.500	4.000	0.500	0.550	RMD292	
GUPI400450-562	GUP	4.500	4.000	0.562	0.619	RMD1168	
EUPI400450-562B	EUP	4.500	4.000	0.562	0.619	RMD293	
DEUI450410-230	DEU	4.500	4.100	0.230	0.313	RF5207	DE450
EUPI412450-187A	EUP	4.500	4.125	0.187	0.212	RMD202A	
EUPI412450-187B	EUP	4.500	4.125	0.187	0.212	RMD202	
EUPI412450-375B	EUP	4.500	4.125	0.375	0.413	RMD203	
EUPI337462-625A	EUP	4.625	3.375	0.625	0.687	RMD1389A	
EUPI337462-625B	EUP	4.625	3.375	0.625	0.687	RMD1389	
EUPI362462-500B	EUP	4.625	3.625	0.500	0.550	RMD719	
EUPI387462-375A	EUP	4.625	3.875	0.375	0.413	RMD568A	
EUPI387462-375B	EUP	4.625	3.875	0.375	0.413	RMD568	
GURI387462-375	GUR	4.625	3.875	0.375	0.438		
EUPI387462-625B	EUP	4.625	3.875	0.625	0.687	RMD573	
EUPI400462-312B	EUP	4.625	4.000	0.312	0.343	RMD995	
EUPI400462-312A	EUP	4.625	4.000	0.312	0.343	RMD454A	
GUPI400462-375	GUP	4.625	4.000	0.375	0.413	RMD1249	
EUPI400462-500B	EUP	4.625	4.000	0.500	0.550	R30114	
EUPI400462-562B	EUP	4.625	4.000	0.562	0.585	R09672	L446
EUPI412462-250A	EUP	4.625	4.125	0.250	0.275	RMD296A	
EUPI412462-250B	EUP	4.625	4.125	0.250	0.275	RMD296	
DEUI462412-375	DEU	4.625	4.125	0.375	0.437	R55847	
EUPI412462-562B	EUP	4.625	4.125	0.562	0.619	RMD1169	
EUPI425462-187A	EUP	4.625	4.250	0.187	0.212	RMD204A	

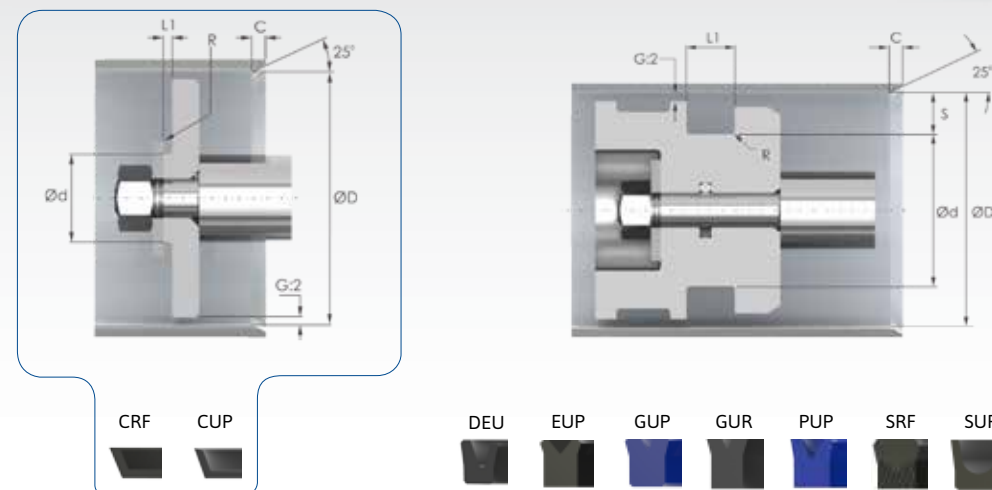
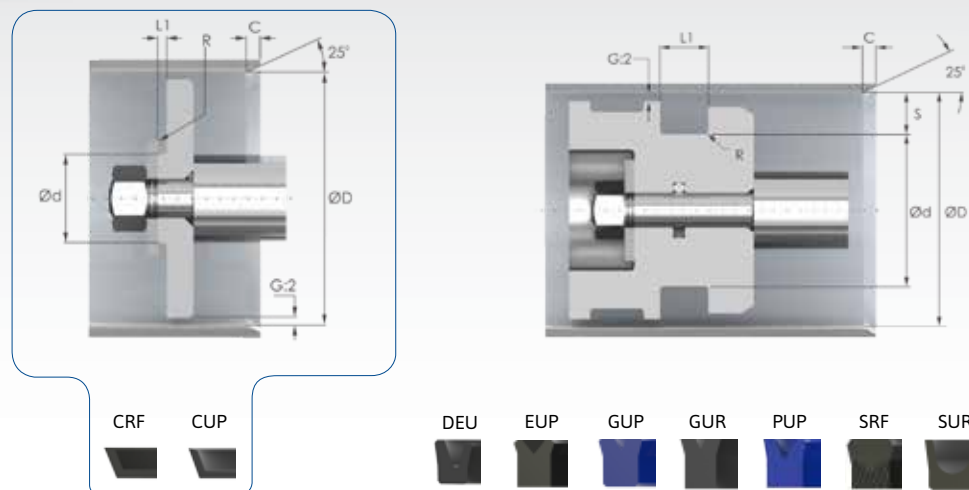


PART N°	PROFILE	HOUSING DIMENSIONS				REFERENCE N°	ALTERNATIVE REFERENCE N°
		ØD	Ød	SH	L1		
EUPI425462-187B	EUP	4.625	4.250	0.187	0.212	RMD204	
EUPI425462-312B	EUP	4.625	4.250	0.312	0.343	RMD949	
EUPI425462-375B	EUP	4.625	4.250	0.375	0.413	RMD996	
CUPI475000-750/1	CUP	4.750	0.000	0.750	0.125	R69766	
CUPI475000-750	CUP	4.750	0.000	0.750	0.156	R69767	
CUPI475037-100	CUP	4.750	0.375	1.000	0.187	R00691	S947
CRFI475125-812	CRF	4.750	1.250	0.812	0.250	R07211	S1626
CUPI475238-625	CUP	4.750	2.375	0.625	0.187	R69768	
EUPI475262-625	CUP	4.750	2.625	0.625	0.187	R64536	
EUPI350475-625B	EUP	4.750	3.500	0.625	0.687	RMD842	
EUPI375475-455B	EUP	4.750	3.750	0.455	0.500	R00104	MU37
GUPI375475-500	GUP	4.750	3.750	0.500	0.550	RMD1352	
EUPI375475-500B	EUP	4.750	3.750	0.500	0.550	RMD718	
DEUI475375-625	DEU	4.750	3.750	0.625	0.688	RF5208	DE475375
EUPI375475-686B	EUP	4.750	3.750	0.686	0.755	R00035	L37
EUPI375475-690B	EUP	4.750	3.750	0.690	0.750	RMD1353	
EUPI375475-750B	EUP	4.750	3.750	0.750	0.825	RMD720	
EUPI387475-437B	EUP	4.750	3.875	0.437	0.475	R09228	MU526
EUPI387475-750B	EUP	4.750	3.875	0.750	0.825	RMD690	
EUPI397475-375B	EUP	4.750	3.979	0.375	0.413	R09231	
EUPI397475-562	EUP	4.750	3.979	0.562	0.587		
EUPI400475-312A	EUP	4.750	4.000	0.312	0.343	RMD1295A	
EUPI400475-312B	EUP	4.750	4.000	0.312	0.343	RMD1295	
EUPI400475-355B	EUP	4.750	4.000	0.355	0.390	R09234	MU503
EUPI400475-375A	EUP	4.750	4.000	0.375	0.413	RMD582A	
EUPI400475-375B	EUP	4.750	4.000	0.375	0.413	RMD582	
GURI400475-375	GUR	4.750	4.000	0.375	0.438		
EUPI400475-500B	EUP	4.750	4.000	0.500	0.550	RMD570	
EUPI400475-580B	EUP	4.750	4.000	0.580	0.625		
EUPI400475-625B	EUP	4.750	4.000	0.625	0.687	RMD571	
EUPI412475-312A	EUP	4.750	4.125	0.312	0.343	RMD456A	
EUPI412475-312B	EUP	4.750	4.125	0.312	0.343	RMD456	
GURI412475-375	GUR	4.750	4.125	0.375	0.438		
EUPI412475-562B	EUP	4.750	4.125	0.562	0.619	RMD1250	
EUPI425475-250A	EUP	4.750	4.250	0.250	0.275	RMD1014A	
EUPI425475-250B	EUP	4.750	4.250	0.250	0.275	RMD1014	
SURI425475-250	SUR	4.750	4.250	0.250	0.281	RF5087	
EUPI425475-375B	EUP	4.750	4.250	0.375	0.413	RMD299	
DEUI475425-375	DEU	4.750	4.250	0.375	0.437	R89440	
EUPI425475-562B	EUP	4.750	4.250	0.562	0.619	RMD300	
EUPI437475-187A	EUP	4.750	4.375	0.187	0.212	RMD205A	
EUPI437475-187B	EUP	4.750	4.375	0.187	0.212	RMD205	
EUPI437475-375B	EUP	4.750	4.375	0.375	0.413	RMD206	
EUPI450475-125A	EUP	4.750	4.500	0.125	0.138	RMD1035A	
EUPI450475-125B	EUP	4.750	4.500	0.125	0.138	RMD1035	



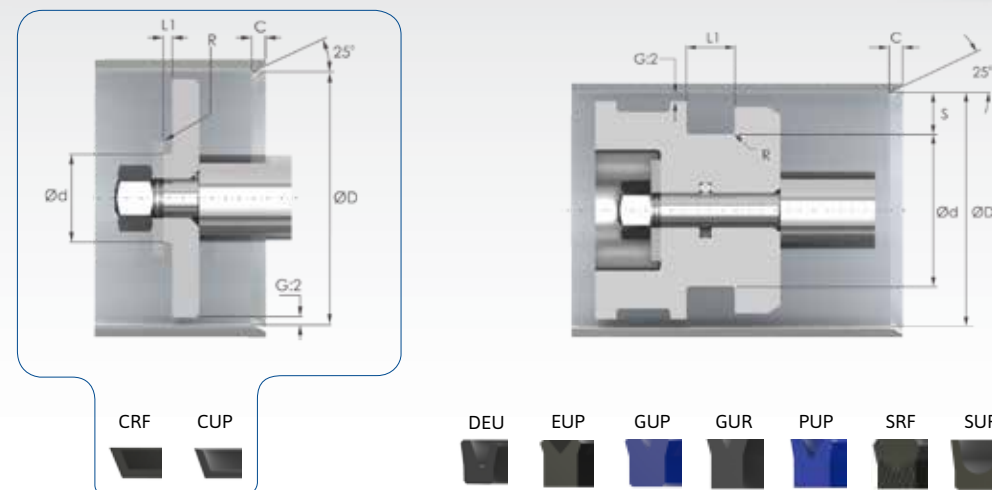
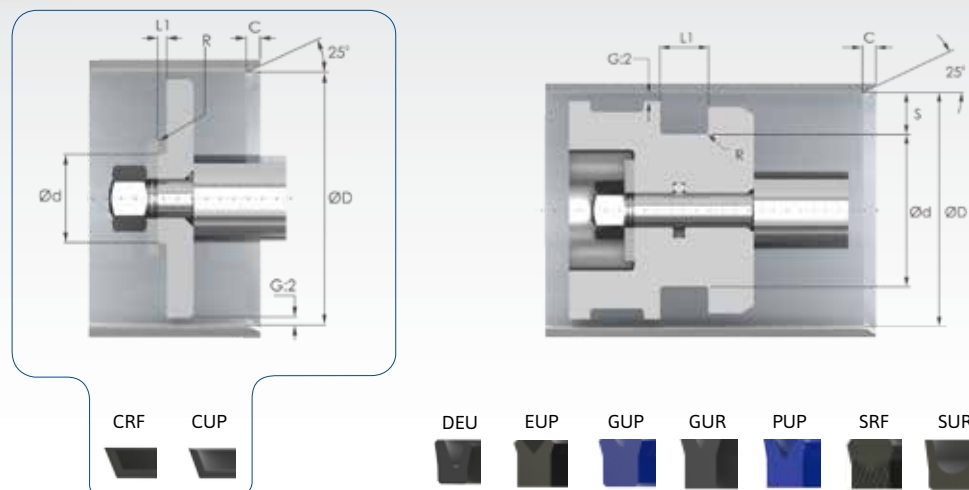
PART N°	PROFILE	HOUSING DIMENSIONS				REFERENCE N°	ALTERNATIVE REFERENCE N°
		ØD	Ød	SH	L1		
EUPI450475-187B	EUP	4.750	4.500	0.187	0.212	RMD1036	
EUPI406481-375B	EUP	4.812	4.062	0.375	0.400	R09236	
EUPI406481-562B	EUP	4.812	4.062	0.562	0.587	R09235	
EUPI387487-750B	EUP	4.875	3.875	0.750	0.825	RMD721	
EUPI400487-437A	EUP	4.875	4.000	0.437	0.462	RMD697A	
EUPI400487-437B	EUP	4.875	4.000	0.437	0.462	RMD697	
SRFI400487-656	SRF	4.875	4.000	0.656	0.676	R88624	
EUPI400487-750B	EUP	4.875	4.000	0.750	0.825	RMD1346	
EUPI412487-375A	EUP	4.875	4.125	0.375	0.413	RMD572A	
EUPI412487-375B	EUP	4.875	4.125	0.375	0.413	RMD572	
EUPI412487-500A	EUP	4.875	4.125	0.500	0.550	RMD1297A	
EUPI412487-500B	EUP	4.875	4.125	0.500	0.550	RMD1297	
EUPI412487-562B	EUP	4.875	4.125	0.562	0.587	R09237	L341
EUPI412487-625B	EUP	4.875	4.125	0.625	0.687	RMD569	
EUPI412487-750B	EUP	4.875	4.125	0.750	0.825	RMD574	
EUPI425487-312A	EUP	4.875	4.250	0.312	0.343	RMD458A	
EUPI425487-312B	EUP	4.875	4.250	0.312	0.343	RMD458	
GURI425487-312	GUR	4.875	4.250	0.312	0.375		
EUPI425487-562B	EUP	4.875	4.250	0.562	0.587	RMD459	
EUPI437487-250A	EUP	4.875	4.375	0.250	0.275	RMD301A	
EUPI437487-250B	EUP	4.875	4.375	0.250	0.275	RMD301	
DEUI487437-375	DEU	4.875	4.375	0.375	0.437	RF5209	DE487
EUPI437487-562B	EUP	4.875	4.375	0.562	0.619	RMD302	
EUPI450487-187A	EUP	4.875	4.500	0.187	0.212	RMD207A	
EUPI450487-187B	EUP	4.875	4.500	0.187	0.212	RMD207	
EUPI450487-375B	EUP	4.875	4.500	0.375	0.413	RMD208	
GUPI450487-375	GUP	4.875	4.500	0.375	0.413	RMD1105	
CUPI500000-625	CUP	5.000	0.000	0.625	0.125	RF2949	
CUPI500000-625/3	CUP	5.000	0.000	0.625	0.187	R69772	
CUPI500000-625/2	CUP	5.000	0.000	0.625	0.187	R69770	
CUPI500000-750	CUP	5.000	0.000	0.750	0.187	R69773	
CUPI500000-750/1	CUP	5.000	0.000	0.750	0.187	R69771	
CRFI500000-1000	CRF	5.000	0.000	1.000	0.250	R07292	S1142
CRFI500050-750	CRF	5.000	0.500	0.750	0.170	RF2950	
CUPI500087-100	CUP	5.000	0.875	1.000	0.281	R00692	S685
CUPI500100-750	CUP	5.000	1.000	0.750	0.187	R64518	
CUPI500243-100	CUP	5.000	2.437	1.000	0.281	R50293	
CRFI500275-750	CRF	5.000	2.750	0.750	0.156	R07212	S1378
CUPI500300-500	CUP	5.000	3.000	0.500	0.125	R69774	
CRFI500325-500	CRF	5.000	3.250	0.500	0.187	R04390	S3359
EUPI350500-750A	EUP	5.000	3.500	0.750	0.825	RMD1419A	
EUPI350500-750B	EUP	5.000	3.500	0.750	0.825	RMD1419	
EUPI375500-625A	EUP	5.000	3.750	0.625	0.687	RMD843A	
EUPI375500-625B	EUP	5.000	3.750	0.625	0.687	RMD843	
EUPI375500-1000B	EUP	5.000	3.750	1.000	1.100	RMD844	

PART N°	PROFILE	HOUSING DIMENSIONS				REFERENCE N°	ALTERNATIVE REFERENCE N°
		ØD	Ød	SH	L1		
EUPI400500-455B	EUP	5.000	4.000	0.455	0.500	R00105	MU38
EUPI400500-500A	EUP	5.000	4.000	0.500	0.550	RMD724A	
EUPI400500-500B	EUP	5.000	4.000	0.500	0.550	RMD724	
DEUI500400-500	DEU	5.000	4.000	0.500	0.562	R55421	
DEUI500400-625	DEU	5.000	4.000	0.625	0.688	RF5210	DE500400
EUPI400500-686B	EUP	5.000	4.000	0.686	0.755	R00036	L38
SRFI400500-725H	SRF	5.000	4.000	0.725	0.750		
EUPI400500-750B	EUP	5.000	4.000	0.750	0.825		
SURI425500-344	SUR	5.000	4.250	0.344	0.375		
EUPI425500-341B	EUP	5.000	4.250	0.375	0.375	R09241	MU509
SURI425500-375	SUR	5.000	4.250	0.375	0.400	RF5088	SU65
DEUI500425-375	DEU	5.000	4.250	0.375	0.406	R55422	
EUPI425500-375A	EUP	5.000	4.250	0.375	0.413	RMD590A	
EUPI425500-375B	EUP	5.000	4.250	0.375	0.413	RMD590	
DEUI500425-437	DEU	5.000	4.250	0.437	0.468	R55440	
GUPI425500-500	GUP	5.000	4.250	0.500	0.550	RMD1298	
EUPI425500-500B	EUP	5.000	4.250	0.500	0.550	RMD581	
GUPI425500-625	GUP	5.000	4.250	0.625	0.687	RMD1299	
EUPI425500-625B	EUP	5.000	4.250	0.625	0.687	RMD576	
EUPI425500-687B	EUP	5.000	4.250	0.687	0.730	R09240	L332
EUPI437500-312A	EUP	5.000	4.375	0.312	0.343	RMD460A	
EUPI437500-312B	EUP	5.000	4.375	0.312	0.343	RMD460	
GURI437500-312	GUR	5.000	4.375	0.312	0.375		
EUPI437500-500B	EUP	5.000	4.375	0.500	0.550	RMD461	
EUPI437500-562B	EUP	5.000	4.375	0.562	0.619	RMD1251	
EUPI437500-625B	EUP	5.000	4.375	0.625	0.687	R30121	
SURI443500-281	SUR	5.000	4.437	0.281	0.312	RF5092	
EUPI450500-250A	EUP	5.000	4.500	0.250	0.275	RMD305A	
EUPI450500-250B	EUP	5.000	4.500	0.250	0.275	RMD305	
GUPI450500-250	GUP	5.000	4.500	0.250	0.275	RMD1170	
SURI450500-250	SUR	5.000	4.500	0.250	0.275	R64066	
EUPI450500-312B	EUP	5.000	4.500	0.312	0.315	R09243	MU534
EUPI450500-375B	EUP	5.000	4.500	0.375	0.413	RMD307	
GUPI450500-375	GUP	5.000	4.500	0.375	0.413	R30218	
EUPI450500-500B	EUP	5.000	4.500	0.500	0.550	RMD306	
EUPI450500-562B	EUP	5.000	4.500	0.562	0.587	R09111	L443
GUPI450500-562	GUP	5.000	4.500	0.562	0.619	RMD1171	
EUPI450500-625B	EUP	5.000	4.500	0.625	0.687	RMD308	
EUPI462500-187A	EUP	5.000	4.625	0.187	0.212	RMD209A	
EUPI462500-187B	EUP	5.000	4.625	0.187	0.212	RMD209	
EUPI462500-375B	EUP	5.000	4.625	0.375	0.413	RMD1106	
EUPI475500-125A	EUP	5.000	4.750	0.125	0.138	R30124A	
EUPI475500-125B	EUP	5.000	4.750	0.125	0.138	R30124	
GURI443506-375	GUR	5.062	4.437	0.375	0.413		
EUPI456506-500B	EUP	5.062	4.562	0.500	0.550	R09247	



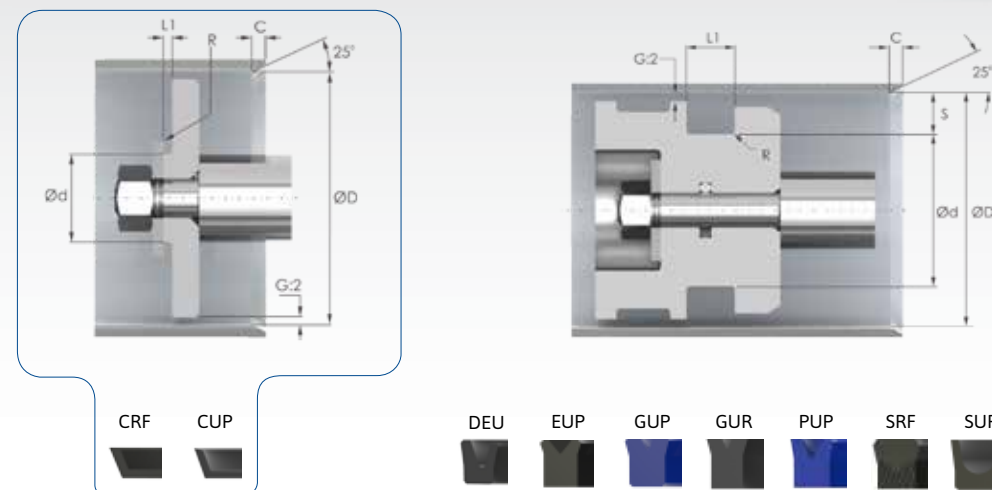
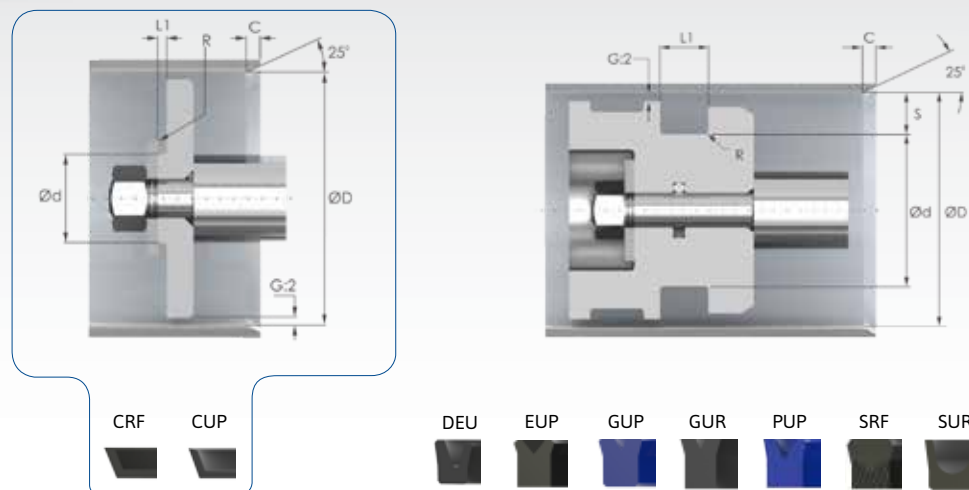
PART N°	PROFILE	HOUSING DIMENSIONS				REFERENCE N°	ALTERNATIVE REFERENCE N°
		ØD	Ød	SH	L1		
EUPI412512-500B	EUP	5.125	4.125	0.500	0.525		
EUPI437512-375A	EUP	5.125	4.375	0.375	0.413	RMD577A	
EUPI437512-375B	EUP	5.125	4.375	0.375	0.413	RMD577	
GURI437512-375	GUR	5.125	4.375	0.375	0.438		
EUPI437512-500B	EUP	5.125	4.375	0.500	0.550	RMD976	
EUPI437512-625B	EUP	5.125	4.375	0.625	0.687	RMD578	
EUPI450512-312A	EUP	5.125	4.500	0.312	0.343	RMD463A	
EUPI450512-312B	EUP	5.125	4.500	0.312	0.343	RMD463	
EUPI450512-375B	EUP	5.125	4.500	0.375	0.413	RMD468	
EUPI450512-625B	EUP	5.125	4.500	0.625	0.687	RMD464	
EUPI462512-250A	EUP	5.125	4.625	0.250	0.275	RMD309A	
EUPI462512-250B	EUP	5.125	4.625	0.250	0.275	RMD309	
DEUI512462-375	DEU	5.125	4.625	0.375	0.437	RF5211	DE512
EUPI462512-562B	EUP	5.125	4.625	0.562	0.619	RMD310	
EUPI475512-187A	EUP	5.125	4.750	0.187	0.212	RMD1107A	
EUPI475512-187B	EUP	5.125	4.750	0.187	0.212	RMD1107	
CUPI525000-750/1	CUP	5.250	0.000	0.750	0.125	R69833	
CUPI525000-750	CUP	5.250	0.000	0.750	0.187	R69834	
CUPI525375-500	CUP	5.250	3.750	0.500	0.187	R69775	
EUPI400525-625A	EUP	5.250	4.000	0.625	0.687	RMD1390A	
EUPI400525-625B	EUP	5.250	4.000	0.625	0.687	RMD1390	
EUPI425525-455B	EUP	5.250	4.250	0.455	0.500	R00106	MU39
EUPI425525-500A	EUP	5.250	4.250	0.500	0.550	RMD1355A	
EUPI425525-500B	EUP	5.250	4.250	0.500	0.550	RMD1355	
DEUI525425-625	DEU	5.250	4.250	0.625	0.688	RF5212	DE525425
EUPI425525-686B	EUP	5.250	4.250	0.686	0.755	R00037	L39
SRFI425525-750	SRF	5.250	4.250	0.750	0.790	R30497	
EUPI425525-750B	EUP	5.250	4.250	0.750	0.825	RMD1356	
EUPI450525-375A	EUP	5.250	4.500	0.375	0.413	RMD579A	
EUPI450525-375B	EUP	5.250	4.500	0.375	0.413	RMD579	
GUPI450525-375	GUP	5.250	4.500	0.375	0.413	RMD1300	
GURI450525-375	GUR	5.250	4.500	0.375	0.438		
EUPI450525-437B	EUP	5.250	4.500	0.437	0.462	R09245	MU508
GUPI450525-500	GUP	5.250	4.500	0.500	0.550	RMD1301	
EUPI450525-500B	EUP	5.250	4.500	0.500	0.550	RMD977	
EUPI450525-562B	EUP	5.250	4.500	0.562	0.595	R09244	L320
GUPI450525-562	GUP	5.250	4.500	0.562	0.619	RMD1302	
GUPI450525-625	GUP	5.250	4.500	0.625	0.687	RMD1303	
EUPI450525-625B	EUP	5.250	4.500	0.625	0.687	RMD580	
EUPI462525-562B	EUP	5.250	4.625	0.562	0.619	RMD978	
GUPI462525-625	GUP	5.250	4.625	0.625	0.687	R30885	
EUPI462525-625B	EUP	5.250	4.625	0.625	0.687	RMD465	
EUPI475525-250A	EUP	5.250	4.750	0.250	0.275	RMD979A	
EUPI475525-250B	EUP	5.250	4.750	0.250	0.275	RMD979	
SURI475525-250	SUR	5.250	4.750	0.250	0.281	RF5096	

PART N°	PROFILE	HOUSING DIMENSIONS				REFERENCE N°	ALTERNATIVE REFERENCE N°
		ØD	Ød	SH	L1		
EUPI475525-375B	EUP	5.250	4.750	0.375	0.413	RMD312	
GUPI475525-375	GUP	5.250	4.750	0.375	0.413	RMD1174	
DEUI525475-375	DEU	5.250	4.750	0.375	0.437	RF5213	DE525
EUPI475525-562B	EUP	5.250	4.750	0.562	0.619	RMD313	
EUPI487525-187A	EUP	5.250	4.875	0.187	0.212	RMD1108A	
EUPI487525-187B	EUP	5.250	4.875	0.187	0.212	RMD1108	
CRFI537125-750	CRF	5.375	1.250	0.750	0.187	R07215	S1938
CRFI537125-844	CRF	5.375	1.250	0.844	0.250	R07216	S2081
EUPI437537-500A	EUP	5.375	4.375	0.500	0.550	RMD1357A	
EUPI437537-500B	EUP	5.375	4.375	0.500	0.550	RMD1357	
EUPI437537-750B	EUP	5.375	4.375	0.750	0.825	RMD728	
GURI450537-375	GUR	5.375	4.500	0.375	0.437		
EUPI450537-437A	EUP	5.375	4.500	0.437	0.462	RMD692A	
EUPI450537-437B	EUP	5.375	4.500	0.437	0.462	RMD692	
EUPI450537-750B	EUP	5.375	4.500	0.750	0.825	RMD1347	
EUPI462537-375A	EUP	5.375	4.625	0.375	0.413		
EUPI462537-375B	EUP	5.375	4.625	0.375	0.413	RMD980	
EUPI462537-625B	EUP	5.375	4.625	0.625	0.687	RMD981	
EUPI475537-312A	EUP	5.375	4.750	0.312	0.343	RMD466A	
EUPI475537-312B	EUP	5.375	4.750	0.312	0.343	RMD466	
EUPI475537-625B	EUP	5.375	4.750	0.625	0.687	RMD467	
EUPI487537-250A	EUP	5.375	4.875	0.250	0.275	RMD314A	
EUPI487537-250B	EUP	5.375	4.875	0.250	0.275	RMD314	
EUPI487537-375B	EUP	5.375	4.875	0.375	0.413	R30132	
DEUI537487-375	DEU	5.375	4.875	0.375	0.437	RF5214	DE537
EUPI487537-562B	EUP	5.375	4.875	0.562	0.619	RMD1175	
EUPI500537-187A	EUP	5.375	5.000	0.187	0.212	RMD1109A	
EUPI500537-187B	EUP	5.375	5.000	0.187	0.212	RMD1109	
EUPI500537-375A	EUP	5.375	5.000	0.375	0.413	RMD212A	
EUPI500537-375B	EUP	5.375	5.000	0.375	0.413	RMD212	
CUPI550000-750/1	CUP	5.500	0.000	0.750	0.125	R69776	
CUPI550000-750	CUP	5.500	0.000	0.750	0.187	RF2952	
CUPI550075-750	CUP	5.500	0.750	0.750	0.187	R03737	S2385
CRFI550100-750	CRF	5.500	1.000	0.750	0.125	R07296	S4136
CRFI550125-812	CRF	5.500	1.250	0.812	0.250	R07299	
CRFI550200-750	CRF	5.500	2.000	0.750	0.125	R07298	S4136
CUPI550400-625	CUP	5.500	4.000	0.625	0.250	R69778	
EUPI425550-625A	EUP	5.500	4.250	0.625	0.687	RMD846A	
EUPI425550-625B	EUP	5.500	4.250	0.625	0.687	RMD846	
EUPI425550-750B	EUP	5.500	4.250	0.750	0.825	RMD1391	
EUPI450550-455B	EUP	5.500	4.500	0.455	0.500	R00107	MU40
EUPI450550-500A	EUP	5.500	4.500	0.500	0.550	RMD1358A	
EUPI450550-500B	EUP	5.500	4.500	0.500	0.550	RMD1358	
DEUI550450-625	DEU	5.500	4.500	0.625	0.688	RF5215	DE550450
EUPI450550-686B	EUP	5.500	4.500	0.686	0.755	R00038	L40



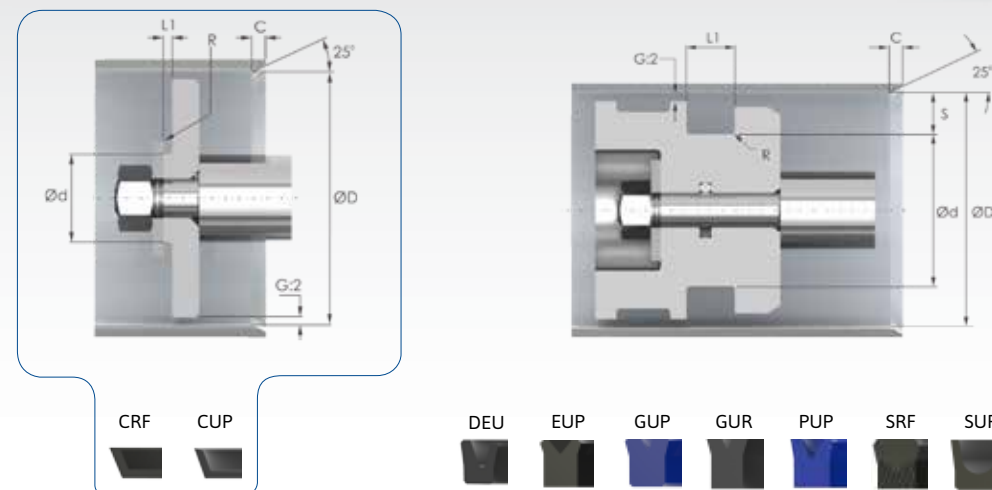
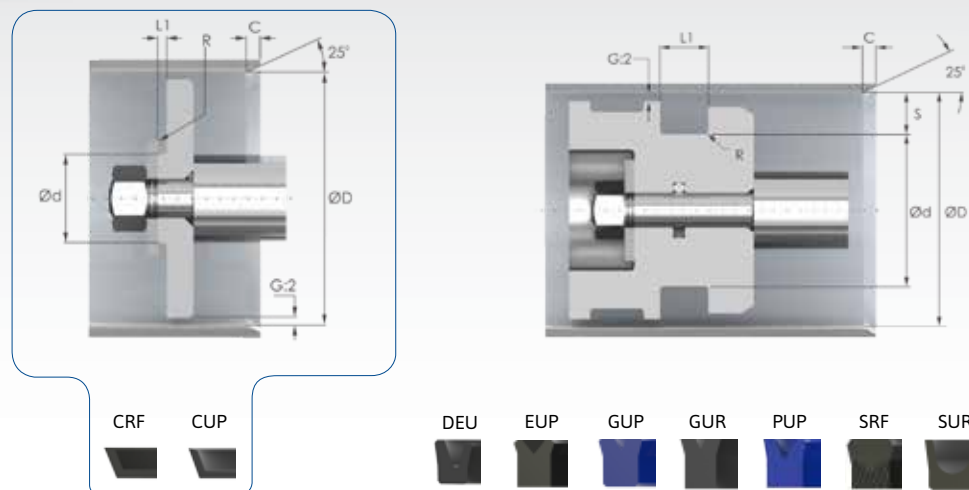
PART N°	PROFILE	HOUSING DIMENSIONS				REFERENCE N°	ALTERNATIVE REFERENCE N°
		ØD	Ød	SH	L1		
EUPI450550-750B	EUP	5.500	4.500	0.750	0.825	RMD1360	
GURI462550-375	GUR	5.500	4.625	0.375	0.437		
EUPI472550-375B	EUP	5.500	4.729	0.375	0.400	R09249	MU519
EUPI472550-562B	EUP	5.500	4.729	0.562	0.587	R09248	L350
EUPI475550-375A	EUP	5.500	4.750	0.375	0.413	RMD982A	
EUPI475550-375B	EUP	5.500	4.750	0.375	0.413	RMD982	
GUPI475550-375H	GUP	5.500	4.750	0.375	0.413		
GURI475550-375	GUR	5.500	4.750	0.375	0.438		
GUPI475550-500	GUP	5.500	4.750	0.500	0.550	RMD1305	
EUPI475550-500B	EUP	5.500	4.750	0.500	0.550	RMD983	
EUPI475550-625B	EUP	5.500	4.750	0.625	0.687	RMD584	
EUPI487550-312A	EUP	5.500	4.875	0.312	0.343	RMD1252A	
EUPI487550-312B	EUP	5.500	4.875	0.312	0.343	RMD1252	
EUPI487550-500B	EUP	5.500	4.875	0.500	0.550	RMD1253	
EUPI500550-250A	EUP	5.500	5.000	0.250	0.275	RMD318A	
EUPI500550-250B	EUP	5.500	5.000	0.250	0.275	RMD318	
EUPI500550-375B	EUP	5.500	5.000	0.375	0.413	RMD319	
GUPI500550-375	GUP	5.500	5.000	0.375	0.413	RMD1176	
DEUI50500-375	DEU	5.500	5.000	0.375	0.437	R59903	
GUPI500550-562	GUP	5.500	5.000	0.562	0.619	RMD1177	
EUPI500550-562B	EUP	5.500	5.000	0.562	0.619	RMD320	
SURI500556-281	SUR	5.562	5.000	0.281	0.312	RF5099	
EUPI500556-500A	EUP	5.562	5.000	0.500	0.550	RMD1216A	
EUPI500556-500B	EUP	5.562	5.000	0.500	0.550	RMD1216	
EUPI475562-437B	EUP	5.625	4.750	0.437	0.462	R09251	MU525
EUPI475562-625B	EUP	5.625	4.750	0.625	0.687	RMD1348	
EUPI475562-750B	EUP	5.625	4.750	0.750	0.825	RMD694	
EUPI487562-375A	EUP	5.625	4.875	0.375	0.413	RMD585A	
EUPI487562-375B	EUP	5.625	4.875	0.375	0.413	RMD585	
GURI487562-375	GUR	5.625	4.875	0.375	0.438		
EUPI487562-625B	EUP	5.625	4.875	0.625	0.687	RMD586	
EUPI500562-312A	EUP	5.625	5.000	0.312	0.343	RMD469A	
EUPI500562-312B	EUP	5.625	5.000	0.312	0.343	RMD469	
GURI500562-312	GUR	5.625	5.000	0.312	0.375		
EUPI500562-625B	EUP	5.625	5.000	0.625	0.687	R30134	
EUPI512562-250A	EUP	5.625	5.125	0.250	0.275	RMD322A	
EUPI512562-250B	EUP	5.625	5.125	0.250	0.275	RMD322	
DEUI562512-375	DEU	5.625	5.125	0.375	0.438	RF5216	DE562
CUPI575000-750/1	CUP	5.750	0.000	0.750	0.125	R69779	
CUPI575000-750	CUP	5.750	0.000	0.750	0.187	R69780	
CRFI575150-750	CRF	5.750	1.500	0.750	0.125		
CUPI575425-625	CUP	5.750	4.250	0.625	0.250	R69781	
EUPI450575-625A	EUP	5.750	4.500	0.625	0.687	RMD1392A	
EUPI450575-625B	EUP	5.750	4.500	0.625	0.687	RMD1392	
EUPI450575-875B	EUP	5.750	4.500	0.875	0.900	R09246	L366

PART N°	PROFILE	HOUSING DIMENSIONS				REFERENCE N°	ALTERNATIVE REFERENCE N°
		ØD	Ød	SH	L1		
EUPI475575-455B	EUP	5.750	4.750	0.455	0.500	R00108	MU41
EUPI475575-500A	EUP	5.750	4.750	0.500	0.550	RMD1361A	
EUPI475575-500B	EUP	5.750	4.750	0.500	0.550	RMD1361	
DEUI575475-625	DEU	5.750	4.750	0.625	0.750		
EUPI475575-686B	EUP	5.750	4.750	0.686	0.755	R00039	L41
EUPI475575-750B	EUP	5.750	4.750	0.750	0.825	RMD1362	
EUPI500575-375A	EUP	5.750	5.000	0.375	0.413	RMD587A	
EUPI500575-375B	EUP	5.750	5.000	0.375	0.413	RMD587	
GURI500575-375	GUR	5.750	5.000	0.375	0.438		
EUPI500575-500B	EUP	5.750	5.000	0.500	0.550	RMD588	
EUPI500575-625B	EUP	5.750	5.000	0.625	0.687	RMD589	
EUPI512575-312A	EUP	5.750	5.125	0.312	0.343	RMD1254A	
EUPI512575-312B	EUP	5.750	5.125	0.312	0.343	RMD1254	
SURI512575-312	SUR	5.750	5.125	0.312	0.344	RF5103	
GUPI512575-625	GUP	5.750	5.125	0.625	0.687	RMD1255	
EUPI525575-250A	EUP	5.750	5.250	0.250	0.275	RMD323A	
EUPI525575-250B	EUP	5.750	5.250	0.250	0.275	RMD323	
EUPI525575-375B	EUP	5.750	5.250	0.375	0.413	RMD324	
EUPI525575-562B	EUP	5.750	5.250	0.562	0.619	RMD325	
EUPI512587-375A	EUP	5.875	5.125	0.375	0.413	RMD595A	
EUPI512587-375B	EUP	5.875	5.125	0.375	0.413	RMD595	
GURI512587-375	GUR	5.875	5.125	0.375	0.438		
EUPI512587-625B	EUP	5.875	5.125	0.625	0.687	RMD591	
EUPI525587-312A	EUP	5.875	5.250	0.312	0.343		
EUPI525587-312B	EUP	5.875	5.250	0.312	0.343	RMD473	
EUPI525587-625B	EUP	5.875	5.250	0.625	0.687	RMD474	
EUPI537587-250A	EUP	5.875	5.375	0.250	0.275	RMD326A	
EUPI537587-250B	EUP	5.875	5.375	0.250	0.275	RMD326	
GUPI537587-375	GUP	5.875	5.375	0.375	0.413	RMD1178	
DEUI587537-375	DEU	5.875	5.375	0.375	0.437	R59894	
EUPI550587-375B	EUP	5.875	5.500	0.375	0.400		
CUPI600000-750/3	CUP	6.000	0.000	0.750	0.125	R69783	
CUPI600000-750	CUP	6.000	0.000	0.750	0.156	R69784	
CUPI600000-750/1	CUP	6.000	0.000	0.750	0.187	R69785	
CUPI600000-750/2	CUP	6.000	0.000	0.750	0.187	R69782	
CUPI600000-100	CUP	6.000	0.000	1.000	0.187	R69786	
CRFI600050-750	CRF	6.000	0.500	0.750	0.170	RF2956	
CUPI600112-875	CUP	6.000	1.125	0.875	0.125	R03740	S903
CRFI600112-100	CRF	6.000	1.125	1.000	0.250	R07219	S1130
CUPI600137-875	CUP	6.000	1.375	0.875	0.125	R52778	
CUPI600150-750	CUP	6.000	1.500	0.750	0.187	R00693	S1201
CUPI600300-625	CUP	6.000	3.000	0.625	0.125	R03361	
CUPI600300-750	CUP	6.000	3.000	0.750	0.187	R55344	S1201
CUPI600400-625	CUP	6.000	4.000	0.625	0.075	R02518	S3410
CUPI600450-375	CUP	6.000	4.500	0.375	0.125	R69787	



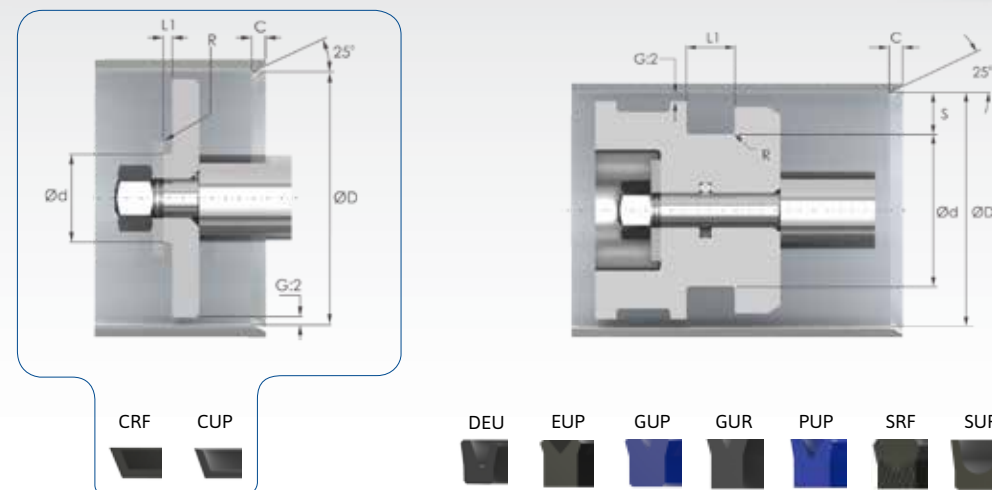
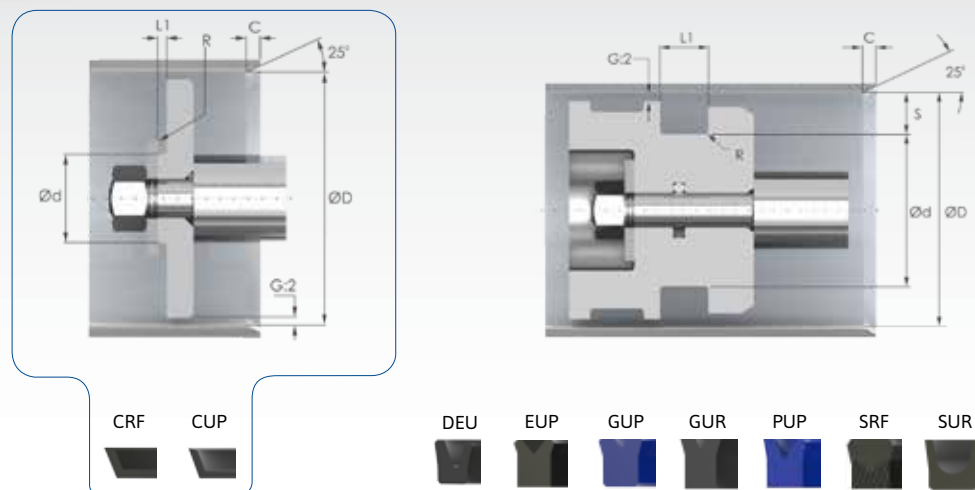
PART N°	PROFILE	HOUSING DIMENSIONS				REFERENCE N°	ALTERNATIVE REFERENCE N°
		ØD	Ød	SH	L1		
EUPI475600-625A	EUP	6.000	4.750	0.625	0.687	RMD849A	
EUPI475600-625B	EUP	6.000	4.750	0.625	0.687	RMD849	
EUPI475600-750B	EUP	6.000	4.750	0.750	0.825	RMD850	
EUPI475600-1000A	EUP	6.000	4.750	1.000	1.100	RMD1393A	
EUPI475600-1000B	EUP	6.000	4.750	1.000	1.100	RMD1393	
EUPI500600-375B	EUP	6.000	5.000	0.375	0.413	RMD733	
EUPI500600-455B	EUP	6.000	5.000	0.455	0.500	R00109	MU42
EUPI500600-500A	EUP	6.000	5.000	0.500	0.550	RMD986A	
EUPI500600-500B	EUP	6.000	5.000	0.500	0.550	RMD986	
GURI500600-500	GUR	6.000	5.000	0.500	0.563		
DEUI600500-625	DEU	6.000	5.000	0.625	0.750		
EUPI500600-686B	EUP	6.000	5.000	0.686	0.755	R00040	L42
SRFI500600-725H	SRF	6.000	5.000	0.725	0.750		
EUPI500600-750B	EUP	6.000	5.000	0.750	0.825	RMD734	
EUPI512600-437A	EUP	6.000	5.125	0.437	0.462	RMD696A	
EUPI512600-437B	EUP	6.000	5.125	0.437	0.462	RMD696	
SURI512600-437	SUR	6.000	5.125	0.437	0.500		
EUPI512600-562B	EUP	6.000	5.125	0.562	0.650	R09059	L424
SURI525600-375	SUR	6.000	5.250	0.375	0.406		
EUPI525600-375A	EUP	6.000	5.250	0.375	0.413	RMD592A	
EUPI525600-375B	EUP	6.000	5.250	0.375	0.413	RMD592	
GUPI525600-375	GUP	6.000	5.250	0.375	0.413	RMD1306	
GUPI525600-500	GUP	6.000	5.250	0.500	0.550	RMD1307	
EUPI525600-500A	EUP	6.000	5.250	0.500	0.550	RMD593A	
EUPI525600-500B	EUP	6.000	5.250	0.500	0.550	RMD593	
EUPI525600-562B	EUP	6.000	5.250	0.562	0.570	R09254	L345
GUPI525600-625	GUP	6.000	5.250	0.625	0.687	RMD1308	
EUPI525600-625B	EUP	6.000	5.250	0.625	0.687	RMD594	
SURI537600-280	SUR	6.000	5.375	0.281	0.312		
EUPI537600-312B	EUP	6.000	5.375	0.312	0.343	RMD475	
EUPI537600-312A	EUP	6.000	5.375	0.312	0.343	RMD1256	
SURI537600-312	SUR	6.000	5.375	0.312	0.344	RF5106	
EUPI537600-375B	EUP	6.000	5.375	0.375	0.413	RMD987	
GUPI537600-500	GUP	6.000	5.375	0.500	0.550	RMD1257	
EUPI537600-500B	EUP	6.000	5.375	0.500	0.550	RMD988	
EUPI537600-562B	EUP	6.000	5.375	0.562	0.619	RMD1258	
GUPI537600-625	GUP	6.000	5.375	0.625	0.687	RMD1259	
EUPI537600-625B	EUP	6.000	5.375	0.625	0.687	RMD905	
EUPI543600-281A	EUP	6.000	5.437	0.281	0.312	RMD1217A	
EUPI543600-281B	EUP	6.000	5.437	0.281	0.312	RMD1217	
SURI543600-281	SUR	6.000	5.437	0.281	0.312	RF5108	
EUPI550600-250A	EUP	6.000	5.500	0.250	0.275	RMD328A	
EUPI550600-250B	EUP	6.000	5.500	0.250	0.275	RMD328	
PUPI600550-250H	PUP	6.000	5.500	0.250	0.275		
GUPI550600-250	GUP	6.000	5.500	0.250	0.275	RMD1179	

PART N°	PROFILE	HOUSING DIMENSIONS				REFERENCE N°	ALTERNATIVE REFERENCE N°
		ØD	Ød	SH	L1		
DEUI600550-250	DEU	6.000	5.500	0.250	0.313	RF5217	DE600
EUPI550600-312B	EUP	6.000	5.500	0.312	0.343	R09262	MU535
EUPI550600-375B	EUP	6.000	5.500	0.375	0.413	RMD327	
EUPI550600-562B	EUP	6.000	5.500	0.562	0.619	RMD329	
EUPI512612-500B	EUP	6.125	5.125	0.500	0.550	RMD735	
EUPI525612-375B	EUP	6.125	5.250	0.375	0.400	R09256	MU501
EUPI525612-437B	EUP	6.125	5.250	0.437	0.462	R09257	MU505
EUPI525612-875B	EUP	6.125	5.250	0.875	0.900	R09258	L303
EUPI537612-375B	EUP	6.125	5.375	0.375	0.413	RMD1310	
EUPI537612-375A	EUP	6.125	5.375	0.375	0.413	RMD1309	
GURI537612-375	GUR	6.125	5.375	0.375	0.438		
EUPI537612-625B	EUP	6.125	5.375	0.625	0.687	RMD1311	
EUPI550612-312A	EUP	6.125	5.500	0.312	0.343	R30137A	
EUPI550612-312B	EUP	6.125	5.500	0.312	0.343	R30137	
SURI550612-312	SUR	6.125	5.500	0.312	0.344	RF5109	
EUPI550612-625B	EUP	6.125	5.500	0.625	0.687	RMD1260	
EUPI562612-250A	EUP	6.125	5.625	0.250	0.275	RMD331A	
EUPI562612-250B	EUP	6.125	5.625	0.250	0.275	RMD331	
EUPI562612-562B	EUP	6.125	5.625	0.562	0.619	RMD1180	
CUPI625088-625	CUP	6.250	0.875	0.625	0.125	R69788	
EUPI475625-1250A	EUP	6.250	4.750	1.250	1.375	RMD1420A	
EUPI475625-1250B	EUP	6.250	4.750	1.250	1.375	RMD1420	
EUPI500625-625A	EUP	6.250	5.000	0.625	0.687	RMD1395A	
EUPI500625-625B	EUP	6.250	5.000	0.625	0.687	RMD1395	
EUPI500625-1000B	EUP	6.250	5.000	1.000	1.100	RMD1396	
EUPI525625-455B	EUP	6.250	5.250	0.455	0.500	R00110	MU43
EUPI525625-500B	EUP	6.250	5.250	0.500	0.550	RMD1434	
EUPI525625-500A	EUP	6.250	5.250	0.500	0.550	RF2983A	
GURI525625-500	GUR	6.250	5.250	0.500	0.563		
DEUI625525-625	DEU	6.250	5.250	0.625	0.750		
EUPI525625-686B	EUP	6.250	5.250	0.686	0.755		
EUPI525625-750B	EUP	6.250	5.250	0.750	0.825	RMD1365	
EUPI550625-375A	EUP	6.250	5.500	0.375	0.413	RMD598A	
EUPI550625-375B	EUP	6.250	5.500	0.375	0.413	RMD598	
EUPI550625-500B	EUP	6.250	5.500	0.500	0.550	R30138	
GUPI550625-625	GUP	6.250	5.500	0.625	0.687	RMD1312	
EUPI550625-625B	EUP	6.250	5.500	0.625	0.687	R30139	
EUPI575625-250A	EUP	6.250	5.750	0.250	0.275	RMD332A	
EUPI575625-250B	EUP	6.250	5.750	0.250	0.275	RMD332	
EUPI575625-375B	EUP	6.250	5.750	0.375	0.413	R30140	
EUPI575625-562B	EUP	6.250	5.750	0.562	0.619	RMD333	
DEUI625593-188	DEU	6.250	5.930	0.188	0.250	RF5218	DE625
EUPI537637-500A	EUP	6.375	5.375	0.500	0.550	R30136A	
EUPI537637-500B	EUP	6.375	5.375	0.500	0.550	R30136	
EUPI547637-375B	EUP	6.375	5.479	0.375	0.400	R09261	MU520



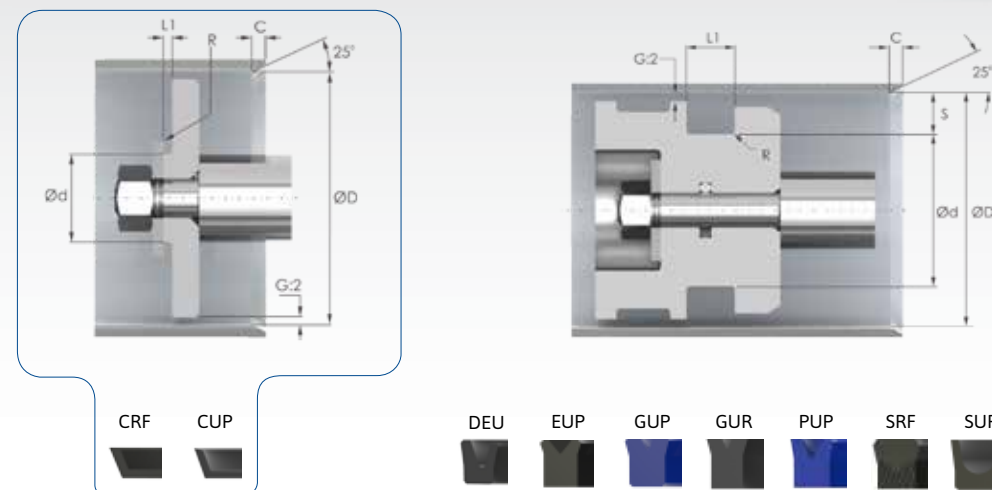
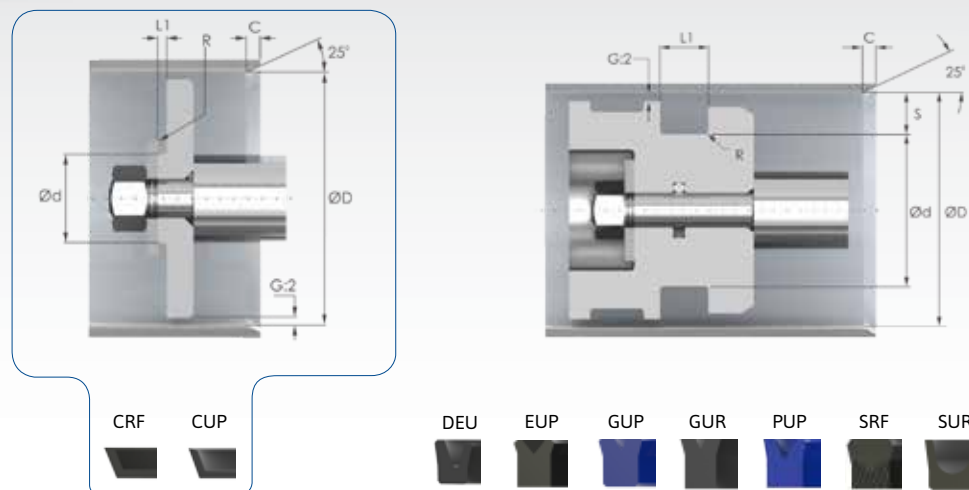
PART N°	PROFILE	HOUSING DIMENSIONS				REFERENCE N°	ALTERNATIVE REFERENCE N°
		ØD	Ød	SH	L1		
EUPI547637-625B	EUP	6.375	5.479	0.625	0.650	R09260	L351
EUPI550675-960B	EUP	6.375	5.500	0.960	1.000	R09264	L358
EUPI562637-375A	EUP	6.375	5.625	0.375	0.413	RMD597A	
EUPI562637-375B	EUP	6.375	5.625	0.375	0.413	RMD597	
GUPI562637-625	GUP	6.375	5.625	0.625	0.687	RMD1313	
EUPI575637-312B	EUP	6.375	5.750	0.312	0.343	R30141	
EUPI575637-625B	EUP	6.375	5.750	0.625	0.687	RMD1261	
EUPI587637-250A	EUP	6.375	5.875	0.250	0.275	RMD1181A	
EUPI587637-250B	EUP	6.375	5.875	0.250	0.275	RMD1181	
EUPI600637-187A	EUP	6.375	6.000	0.187	0.212	RMD1111A	
EUPI600637-187B	EUP	6.375	6.000	0.187	0.212	RMD1111	
EUPI600637-375B	EUP	6.437	6.000	0.375	0.413	RMD1112	
CUPI650000-750/1	CUP	6.500	0.000	0.750	0.187	R69790	
CUPI650000-750	CUP	6.500	0.000	0.750	0.187	R69789	
CUPI650037-750	CUP	6.500	0.375	0.750	0.187	R03742	S1050
EUPI525650-625A	EUP	6.500	5.250	0.625	0.687	RMD1397A	
EUPI525650-625B	EUP	6.500	5.250	0.625	0.687	RMD1397	
EUPI550650-455B	EUP	6.500	5.500	0.455	0.500	R00111	MU44
EUPI550650-500A	EUP	6.500	5.500	0.500	0.550	RMD737A	
EUPI550650-500B	EUP	6.500	5.500	0.500	0.550	RMD737	
GURI550650-500	GUR	6.500	5.500	0.500	0.562		
DEUI650550-625	DEU	6.500	5.500	0.625	0.688	RF5219	DE650550
EUPI550650-686B	EUP	6.500	5.500	0.686	0.755	R00042	L44
SRFI550650-725H	SRF	6.500	5.500	0.725	0.750		
EUPI550650-750B	EUP	6.500	5.500	0.750	0.825	RF2984	
GUPI625700-375	GUP	6.500	5.750	0.375	0.413		
EUPI575650-375	EUP	6.500	5.750	0.375	0.413	R30222	
EUPI575650-386A	EUP	6.500	5.750	0.386	0.425	R09266A	
EUPI575650-386B	EUP	6.500	5.750	0.386	0.425	R09266	MU504
EUPI575650-500B	EUP	6.500	5.750	0.500	0.520	R09265	L381
GUPI575650-500	GUP	6.500	5.750	0.500	0.550	RMD1314	
GUPI575650-625	GUP	6.500	5.750	0.625	0.687	RMD1315	
EUPI575650-625B	EUP	6.500	5.750	0.625	0.687	RMD603	
EUPI587650-312A	EUP	6.500	5.875	0.312	0.343	RMD1262A	
EUPI587650-312B	EUP	6.500	5.875	0.312	0.343	RMD1262	
CUPI650588-375	CUP	6.500	5.875	0.375	0.125	R69791	
SURI593650-281	SUR	6.500	5.937	0.281	0.312	RF5112	
EUPI600650-250A	EUP	6.500	6.000	0.250	0.275	RMD334A	
EUPI600650-250B	EUP	6.500	6.000	0.250	0.275	RMD334	
EUPI600650-375B	EUP	6.500	6.000	0.375	0.413	RMD335	
GUPI600650-375	GUP	6.500	6.000	0.375	0.413	RMD1182	
EUPI600650-437B	EUP	6.500	6.000	0.437	0.480	RMD1183	
EUPI600650-500B	EUP	6.500	6.000	0.500	0.550	R30143	
GUPI600650-562	GUP	6.500	6.000	0.562	0.619	RMD1184	
EUPI600650-562B	EUP	6.500	6.000	0.562	0.619	RMD337	

PART N°	PROFILE	HOUSING DIMENSIONS				REFERENCE N°	ALTERNATIVE REFERENCE N°
		ØD	Ød	SH	L1		
DEUI650610-295	DEU	6.500	6.100	0.295	0.359	RF5220	DE650
EUPI523652-800B	EUP	6.524	5.238	0.770	0.800	R09259	
EUPI587662-375A	EUP	6.625	5.875	0.375	0.413	RMD1316A	
EUPI587662-375B	EUP	6.625	5.875	0.375	0.413	RMD1316	
EUPI587662-625B	EUP	6.625	5.875	0.625	0.687	RMD1317	
EUPI600662-312A	EUP	6.625	6.000	0.312	0.343	RMD1263	
EUPI600662-312B	EUP	6.625	6.000	0.312	0.343	R30144	
SURI600662-312	SUR	6.625	6.000	0.312	0.344	RF5113	
EUPI600662-625B	EUP	6.625	6.000	0.625	0.687	RMD480	
EUPI625662-312B	EUP	6.625	6.250	0.312	0.340		
CUPI675175-750	CUP	6.750	1.750	0.750	0.187	R03743	S1788
CUPI675500-625	CUP	6.750	5.000	0.625	0.250	R69792	
EUPI550675-625A	EUP	6.750	5.500	0.625	0.687	RMD1398A	
EUPI550675-625B	EUP	6.750	5.500	0.625	0.687	RMD1398	
EUPI575675-455B	EUP	6.750	5.750	0.455	0.500	R00112	MU45
EUPI575675-500A	EUP	6.750	5.750	0.500	0.550	RMD739A	
EUPI575675-500B	EUP	6.750	5.750	0.500	0.550	RMD739	
DEUI675575-625	DEU	6.750	5.750	0.625	0.688	RF5221	DE675575
EUPI575675-686B	EUP	6.750	5.750	0.686	0.755		
EUPI575675-750B	EUP	6.750	5.750	0.750	0.825	RMD740	
EUPI600675-375A	EUP	6.750	6.000	0.375	0.413	RMD605A	
EUPI600675-375B	EUP	6.750	6.000	0.375	0.413	RMD605	
GURI600675-375	GUR	6.750	6.000	0.375	0.438		
DEUI675600-437	DEU	6.750	6.000	0.437	0.500	RF5222	DE675
EUPI600675-500B	EUP	6.750	6.000	0.500	0.550	R30145	
EUPI600675-625B	EUP	6.750	6.000	0.625	0.687	RMD606	
EUPI625675-250A	EUP	6.750	6.250	0.250	0.275	RMD340A	
EUPI625675-250B	EUP	6.750	6.250	0.250	0.275	RMD340	
EUPI625675-312B	EUP	6.750	6.250	0.312	0.337		
EUPI625675-375B	EUP	6.750	6.250	0.375	0.400		
EUPI625675-562B	EUP	6.750	6.250	0.562	0.619	RMD1185	
EUPI625687-312A	EUP	6.875	6.250	0.312	0.343	RMD488A	
EUPI625687-312B	EUP	6.875	6.250	0.312	0.343	RMD488	
CUPI700000-750/3	CUP	7.000	0.000	0.750	0.125	R69835	
CUPI700000-750	CUP	7.000	0.000	0.750	0.187	RF2958	
CUPI700000-750/2	CUP	7.000	0.000	0.750	0.187	R69836	
CUPI700000-750/1	CUP	7.000	0.000	0.750	0.187	R69793	
CUPI700100-750	CUP	7.000	1.000	0.750	0.125	R03745	S2508
CRFI700100-107	CRF	7.000	1.000	1.070	0.250		
CUPI700400-500	CUP	7.000	4.000	0.500	0.187	R69794	
GURI575700-500	GUR	7.000	5.750	0.500	0.563		
EUPI575700-625A	EUP	7.000	5.750	0.625	0.687	RMD855A	
EUPI575700-625B	EUP	7.000	5.750	0.625	0.687	RMD855	
EUPI600700-455B	EUP	7.000	6.000	0.455	0.500	R00113	MU46
EUPI600700-500A	EUP	7.000	6.000	0.500	0.550	RMD741A	



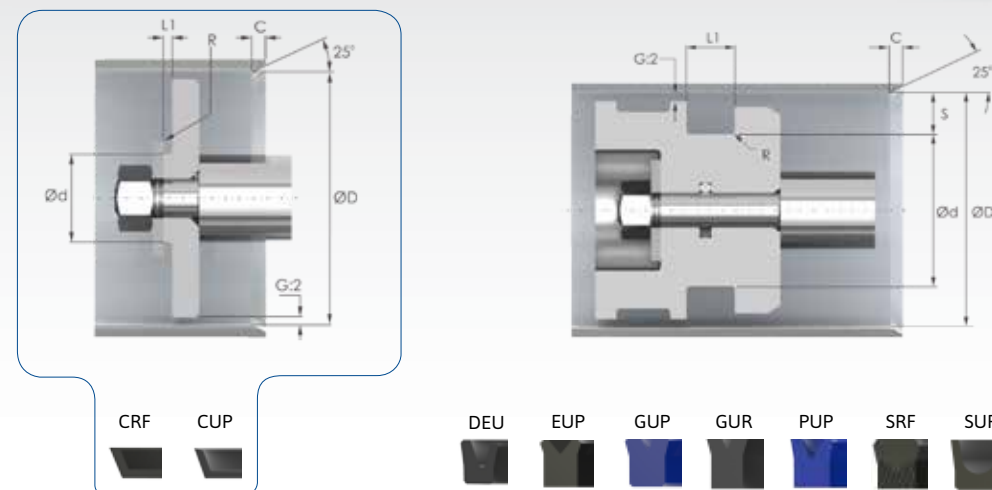
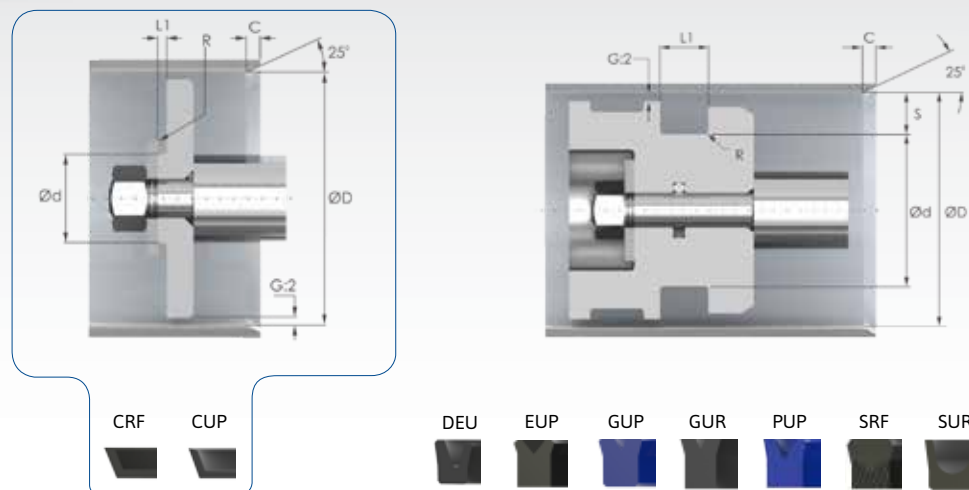
PART N°	PROFILE	HOUSING DIMENSIONS				REFERENCE N°	ALTERNATIVE REFERENCE N°
		ØD	Ød	SH	L1		
EUPI600700-500B	EUP	7.000	6.000	0.500	0.550	RMD741	
DEUI700600-625	DEU	7.000	6.000	0.625	0.750		
EUPI600700-686B	EUP	7.000	6.000	0.686	0.755		
EUPI600700-750B	EUP	7.000	6.000	0.750	0.825	RMD742	
SURI612700-375	SUR	7.000	6.125	0.375	0.400	RF5115	SU75
EUPI625700-375A	EUP	7.000	6.250	0.375	0.413	RMD555A	
EUPI625700-375B	EUP	7.000	6.250	0.375	0.413	RMD555	
SURI625700-500	SUR	7.000	6.250	0.500	0.531		
EUPI625700-500A	EUP	7.000	6.250	0.500	0.550	RF2985A	
EUPI625700-500B	EUP	7.000	6.250	0.500	0.550	RF2985	
GUPI625700-500	GUP	7.000	6.250	0.500	0.550	RMD1318	
GUPI625700-625	GUP	7.000	6.250	0.625	0.687	RMD1319	
EUPI625700-625B	EUP	7.000	6.250	0.625	0.687	RMD610	
EUPI625700-625BM	EUP	7.000	6.250	0.625	0.688		
EUPI637700-312A	EUP	7.000	6.375	0.312	0.343	RMD490A	
EUPI637700-312B	EUP	7.000	6.375	0.312	0.343	RMD490	
SURI637700-312	SUR	7.000	6.375	0.312	0.344	RF5117	
EUPI637700-562B	EUP	7.000	6.375	0.562	0.587		
EUPI637700-625B	EUP	7.000	6.375	0.625	0.687	RMD485	
EUPI643700-281A	EUP	7.000	6.437	0.281	0.312	RMD1218A	
EUPI643700-281B	EUP	7.000	6.437	0.281	0.312	RMD1218	
DEUI700650-220	DEU	7.000	6.500	0.220	0.281	RF5223	DE700
EUPI650700-250A	EUP	7.000	6.500	0.250	0.275	R30148A	
EUPI650700-250B	EUP	7.000	6.500	0.250	0.275	R30148	
EUPI650700-312B	EUP	7.000	6.500	0.312	0.337	R09272	MU536
EUPI650700-375B	EUP	7.000	6.500	0.375	0.413	RMD341	
EUPI650700-375R	EUP	7.000	6.500	0.375	0.413	RMD1186	
EUPI650700-500B	EUP	7.000	6.500	0.500	0.550	R30149	
EUPI650700-562B	EUP	7.000	6.500	0.562	0.619	RMD342	
EUPI637712-375A	EUP	7.125	6.375	0.375	0.413	RMD1320A	
EUPI637712-375B	EUP	7.125	6.375	0.375	0.413	RMD1320	
EUPI650712-312A	EUP	7.125	6.500	0.312	0.343	RMD486A	
EUPI650712-312B	EUP	7.125	6.500	0.312	0.343	RMD486	
EUPI650712-625B	EUP	7.125	6.500	0.625	0.687	R30150	
CUPI725525-625	CUP	7.250	5.250	0.625	0.250	R69795	
GURI600725-500	GUR	7.250	6.000	0.500	0.562		
EUPI600725-625A	EUP	7.250	6.000	0.625	0.687	RMD1399	
DEUI725600-750	DEU	7.250	6.000	0.750	0.813	RF5224	DE725600
EUPI622725-500B	EUP	7.250	6.229	0.500	0.525	R09269	MU521
EUPI622725-750B	EUP	7.250	6.229	0.750	0.775	R09268	L352
EUPI625725-500A	EUP	7.250	6.250	0.500	0.550	R30146A	
EUPI625725-500B	EUP	7.250	6.250	0.500	0.550	R30146	
EUPI625725-750B	EUP	7.250	6.250	0.750	0.825	R30147	
EUPI650725-375A	EUP	7.250	6.500	0.375	0.413	R30151A	
EUPI650725-375B	EUP	7.250	6.500	0.375	0.413	R30151	

PART N°	PROFILE	HOUSING DIMENSIONS				REFERENCE N°	ALTERNATIVE REFERENCE N°
		ØD	Ød	SH	L1		
DEUI725650-437	DEU	7.250	6.500	0.437	0.500	RF5225	DE725
EUPI650725-500B	EUP	7.250	6.500	0.500	0.520	R09274	L342
DEUI725650-500	DEU	7.250	6.500	0.500	0.562	R51750	
EUPI650725-625B	EUP	7.250	6.500	0.625	0.687	RMD611	
EUPI662725-312A	EUP	7.250	6.625	0.312	0.343	RMD1264A	
EUPI662725-312B	EUP	7.250	6.625	0.312	0.343	RMD1264	
EUPI675725-250B	EUP	7.250	6.750	0.250	0.275	R09277	MU561
EUPI675725-375B	EUP	7.250	6.750	0.375	0.413	RMD344	
EUPI675725-562B	EUP	7.250	6.750	0.562	0.619	RMD228	
EUPI675737-312B	EUP	7.375	6.750	0.312	0.340	R30153	
EUPI675737-625B	EUP	7.375	6.750	0.625	0.687	R30154	
CUPI750000-875	CUP	7.500	0.000	0.875	0.156	R69796	
CUPI750000-100	CUP	7.500	0.000	1.000	0.187	R69797	
CUPI750550-625	CUP	7.500	5.500	0.625	0.250	R69798	
EUPI625750-625A	EUP	7.500	6.250	0.625	0.687	RMD1400A	
EUPI625750-625B	EUP	7.500	6.250	0.625	0.687	RMD1400	
GURI625750-625	GUR	7.500	6.250	0.625	0.688		
DEUI750625-750	DEU	7.500	6.250	0.750	0.813	RF5226	DE750625
EUPI625750-914B	EUP	7.500	6.250	0.914	1.005	R00046	L48
SRFI625750-1000	SRF	7.500	6.250	1.000	1.040		
EUPI650750-500A	EUP	7.500	6.500	0.500	0.550	RMD745A	
EUPI650750-500B	EUP	7.500	6.500	0.500	0.550	RMD745	
EUPI650750-625B	EUP	7.500	6.500	0.625	0.650	R09275	L329
EUPI650750-750B	EUP	7.500	6.500	0.750	0.825	RMD746	
EUPI675750-375A	EUP	7.500	6.750	0.375	0.413	RMD613A	
EUPI675750-375B	EUP	7.500	6.750	0.375	0.413	RMD613	
DEUI750675-375	DEU	7.500	6.750	0.375	0.438	RF5227	DE750
EUPI675750-460BM	EUP	7.500	6.750	0.460	0.506		
EUPI675750-500B	EUP	7.500	6.750	0.500	0.550	R30155	
GUPI675750-500	GUP	7.500	6.750	0.500	0.550		
GUPI675750-625	GUP	7.500	6.750	0.625	0.687	RMD1322	
EUPI675750-625B	EUP	7.500	6.750	0.625	0.687	RMD616	
EUPI687750-312B	EUP	7.500	6.875	0.312	0.340		
EUPI700750-250A	EUP	7.500	7.000	0.250	0.275	RMD1190A	
EUPI700750-250B	EUP	7.500	7.000	0.250	0.275	RMD1013	
EUPI700750-375B	EUP	7.500	7.000	0.375	0.413	RMD1192	
GUPI700750-375	GUP	7.500	7.000	0.375	0.413	RMD1193	
EUPI700750-562B	EUP	7.500	7.000	0.562	0.619	RMD348	
EUPI687762-625B	EUP	7.625	6.875	0.625	0.687	RMD1323	
EUPI700762-312B	EUP	7.625	7.000	0.312	0.343	R30157	
EUPI700762-625B	EUP	7.625	7.000	0.625	0.687	R30158	
CUPI775600-625	CUP	7.750	6.000	0.625	0.250	R69799	
EUPI650775-568B	EUP	7.750	6.500	0.568	0.625	R00116	MU49
EUPI650775-625A	EUP	7.750	6.500	0.625	0.687	RMD1401	
DEUI775650-750	DEU	7.750	6.500	0.750	0.813	RF5228	DE775650



PART N°	PROFILE	HOUSING DIMENSIONS				REFERENCE N°	ALTERNATIVE REFERENCE N°
		ØD	Ød	SH	L1		
EUPI650775-914B	EUP	7.750	6.500	0.914	1.005	R00047	L49
EUPI675775-500A	EUP	7.750	6.750	0.500	0.550	RMD1366	
EUPI675775-750B	EUP	7.750	6.750	0.750	0.825	RMD1367	
EUPI700775-375A	EUP	7.750	7.000	0.375	0.413	RMD614A	
EUPI700775-375B	EUP	7.750	7.000	0.375	0.413	RMD614	
EUPI700775-500B	EUP	7.750	7.000	0.500	0.520	RMD615	
EUPI700775-625B	EUP	7.750	7.000	0.625	0.687	RMD621	
GURI700775-625	GUR	7.750	7.000	0.625	0.688		
EUPI725775-250A	EUP	7.750	7.250	0.250	0.275	RMD1000A	
EUPI725775-250B	EUP	7.750	7.250	0.250	0.275	RMD1000	
DEUI775725-250	DEU	7.750	7.250	0.250	0.313	RF5229	DE775
EUPI725775-562B	EUP	7.750	7.250	0.562	0.619	R30159	
CUPI787125-100	CUP	7.875	1.250	1.000	0.187	R03748	S986
EUPI725787-312A	EUP	7.875	7.250	0.312	0.343	RMD491A	
EUPI725787-312B	EUP	7.875	7.250	0.312	0.343	RMD491	
EUPI725787-625B	EUP	7.875	7.250	0.625	0.687	R30160	
CUPI800000-750/1	CUP	8.000	0.000	0.750	0.125	R69837	
CUPI800000-750	CUP	8.000	0.000	0.750	0.156	R69800	
CUPI800000-100/1	CUP	8.000	0.000	1.000	0.187	R69802	
CUPI800000-100	CUP	8.000	0.000	1.000	0.187	R69801	
CUPI800125-875	CUP	8.000	1.250	0.875	0.125	R03749	
CUPI800350-875	CUP	8.000	3.500	0.875	0.250	R03753	
CUPI800500-500	CUP	8.000	5.000	0.500	0.187	R69803	
GURI650800-750	GUR	8.000	6.500	0.750	0.813		
EUPI675800-568B	EUP	8.000	6.750	0.568	0.625	R00117	MU50
EUPI675800-625B	EUP	8.000	6.750	0.625	0.687	RMD1403	
EUPI675800-625A	EUP	8.000	6.750	0.625	0.687	RMD1402	
DEUI800675-750	DEU	8.000	6.750	0.750	0.813	RF5230	DE800675
EUPI675800-914B	EUP	8.000	6.750	0.914	1.005	R00048	L50
EUPI700800-500A	EUP	8.000	7.000	0.500	0.550	RMD749A	
EUPI700800-500B	EUP	8.000	7.000	0.500	0.550	RMD749	
SURI700800-500	SUR	8.000	7.000	0.500	0.550	RF5123	SU80
GURI700800-500	GUR	8.000	7.000	0.500	0.550	R30223	
SRFI700800-625H	SRF	8.000	7.000	0.662	0.687		
EUPI700800-750B	EUP	8.000	7.000	0.750	0.825	RMD750	
EUPI700800-875B	EUP	8.000	7.000	0.875	0.900	R09279	L316
EUPI725800-375A	EUP	8.000	7.250	0.375	0.413	RMD622A	
EUPI725800-375B	EUP	8.000	7.250	0.375	0.413	RMD622	
GURI725800-437	GUR	8.000	7.250	0.437	0.500		
EUPI725800-500B	EUP	8.000	7.250	0.500	0.550	R30161	
GUPI725800-500	GUP	8.000	7.250	0.500	0.550		
GUPI725800-625	GUP	8.000	7.250	0.625	0.687	RMD1325	
EUPI725800-625B	EUP	8.000	7.250	0.625	0.687	RMD624	
EUPI737800-312A	EUP	8.000	7.375	0.312	0.343	RMD494A	
EUPI737800-312B	EUP	8.000	7.375	0.312	0.343	RMD494	

PART N°	PROFILE	HOUSING DIMENSIONS				REFERENCE N°	ALTERNATIVE REFERENCE N°
		ØD	Ød	SH	L1		
SURI737800-312	SUR	8.000	7.375	0.312	0.344	R07884	S1683
EUPI737800-562B	EUP	8.000	7.375	0.562	0.587		
EUPI737800-625B	EUP	8.000	7.375	0.625	0.687	R30165	
EUPI750800-250A	EUP	8.000	7.500	0.250	0.275	R30167A	
EUPI750800-250B	EUP	8.000	7.500	0.250	0.275	R30167	
DEUI800750-270	DEU	8.000	7.500	0.270	0.344	RF5231	DE800
EUPI750800-375B	EUP	8.000	7.500	0.375	0.413	RMD349	
EUPI750800-562B	EUP	8.000	7.500	0.562	0.619	R30169	
CUPI812100-100	CUP	8.125	1.000	1.000	0.187	R02550	S3337
CUPI812526-100	CUP	8.125	5.267	1.000	0.187	R64517	S3337
EUPI750812-312A	EUP	8.125	7.500	0.312	0.343	RMD496A	
EUPI750812-312B	EUP	8.125	7.500	0.312	0.343	RMD496	
EUPI750812-375B	EUP	8.125	7.500	0.375	0.413	R09282	
CUPI825625-625	CUP	8.250	6.250	0.625	0.250	R69804	
GURI675825-750	GUR	8.250	6.750	0.750	0.812		
EUPI700825-568B	EUP	8.250	7.000	0.568	0.625	R00118	MU51
EUPI700825-625A	EUP	8.250	7.000	0.625	0.687	RMD860A	
EUPI700825-625B	EUP	8.250	7.000	0.625	0.687	RMD860	
DEUI825700-750	DEU	8.250	7.000	0.750	0.813	RF5232	DE825700
EUPI700825-914B	EUP	8.250	7.000	0.914	1.005		
EUPI725825-500A	EUP	8.250	7.250	0.500	0.550	R30162A	
EUPI725825-500B	EUP	8.250	7.250	0.500	0.550	R30162	
EUPI725825-750B	EUP	8.250	7.250	0.750	0.825	R30163	
SURI750825-375	SUR	8.250	7.500	0.375	0.400	RF5125	SU81
EUPI750825-375A	EUP	8.250	7.500	0.375	0.413	RMD626A	
EUPI750825-375B	EUP	8.250	7.500	0.375	0.413	RMD626	
EUPI750825-500B	EUP	8.250	7.500	0.500	0.550	RMD627	
EUPI750825-625B	EUP	8.250	7.500	0.625	0.687	RMD628	
EUPI775825-250A	EUP	8.250	7.750	0.250	0.275	RMD350A	
EUPI775825-250B	EUP	8.250	7.750	0.250	0.275	RMD350	
DEUI825775-260	DEU	8.250	7.750	0.260	0.328	RF5233	DE825
EUPI775825-562B	EUP	8.250	7.750	0.562	0.619	RMD1196	
EUPI762837-375A	EUP	8.375	7.625	0.375	0.413	RMD630A	
EUPI762837-375B	EUP	8.375	7.625	0.375	0.413	RMD630	
EUPI775837-312B	EUP	8.375	7.750	0.312	0.343	R30171	
CUPI850650-625	CUP	8.500	6.500	0.625	0.250	R69805	
GURI675850-750	GUR	8.500	6.750	0.750	0.813		
EUPI700850-750A	EUP	8.500	7.000	0.750	0.825	RMD1421A	
EUPI700850-750B	EUP	8.500	7.000	0.750	0.825	RMD1421	
EUPI725850-625A	EUP	8.500	7.250	0.625	0.687	RMD1404A	
EUPI725850-625B	EUP	8.500	7.250	0.625	0.687	RMD1404	
DEUI850725-750	DEU	8.500	7.250	0.750	0.813		
EUPI725850-914B	EUP	8.500	7.250	0.914	1.005	R00050	L52
EUPI750850-500A	EUP	8.500	7.500	0.500	0.550	R30170A	
EUPI750850-500B	EUP	8.500	7.500	0.500	0.550	R30170	



PART N°	PROFILE	HOUSING DIMENSIONS				REFERENCE N°	ALTERNATIVE REFERENCE N°
		ØD	Ød	SH	L1		
EUPI775850-375A	EUP	8.500	7.750	0.375	0.413	R30172A	
EUPI775850-375B	EUP	8.500	7.750	0.375	0.413	R30172	
EUPI775850-500B	EUP	8.500	7.750	0.500	0.550	RMD619	
EUPI775850-625B	EUP	8.500	7.750	0.625	0.687	RMD620	
EUPI800850-250A	EUP	8.500	8.000	0.250	0.275	R09945A	
EUPI800850-250B	EUP	8.500	8.000	0.250	0.275	R09945	MU569
DEUI800850-270	DEU	8.500	8.000	0.270	0.344	RF5235	DE850
EUPI800850-375B	EUP	8.500	8.000	0.375	0.413	RMD1197	
EUPI800850-562B	EUP	8.500	8.000	0.562	0.619	RMD356	
EUPI800862-312B	EUP	8.625	8.000	0.312	0.343	R30174	
EUPI812862-562B	EUP	8.625	8.125	0.562	0.619	RMD1199	
CUPI875450-750	CUP	8.750	4.500	0.750	0.250	R69806	
GURI725875-750	GUR	8.750	7.250	0.750	0.813		
EUPI750875-568B	EUP	8.750	7.500	0.568	0.625	R00120	MU53
DEUI875750-750	DEU	8.750	7.500	0.750	0.813		
EUPI750875-914B	EUP	8.750	7.500	0.914	1.005		
SRFI750875-100	SRF	8.750	7.500	1.000	1.040	R89042	
EUPI775875-500A	EUP	8.750	7.750	0.500	0.550	RMD1368A	
EUPI775875-500B	EUP	8.750	7.750	0.500	0.550	RMD1368	
EUPI775875-750B	EUP	8.750	7.750	0.750	0.825	RMD1369	
DEUI875790-500	DEU	8.750	7.900	0.500	0.563	RF5237	DE875
EUPI800875-375A	EUP	8.750	8.000	0.375	0.413	RMD632A	
EUPI800875-375B	EUP	8.750	8.000	0.375	0.413	RMD632	
EUPI800875-500B	EUP	8.750	8.000	0.500	0.550	R52614	
EUPI800875-625B	EUP	8.750	8.000	0.625	0.687	RMD633	
EUPI825875-375B	EUP	8.750	8.250	0.375	0.413	RMD1200	
EUPI825875-437B	EUP	8.750	8.250	0.437	0.480	RMD1201	
EUPI825875-562B	EUP	8.750	8.250	0.562	0.619	RMD1202	
EUPI825887-312B	EUP	8.875	8.250	0.312	0.343	R30178	
CUPI900000-750	CUP	9.000	0.000	0.750	0.187	R69807	
CUPI900000-100	CUP	9.000	0.000	1.000	0.125	R69838	
CUPI900600-625	CUP	9.000	6.000	0.625	0.187	R69808	
GURI750900-750	GUR	9.000	7.500	0.750	0.813		
EUPI775900-568B	EUP	9.000	7.750	0.568	0.625	R00121	MU54
EUPI775900-625A	EUP	9.000	7.750	0.625	0.687	RMD863A	
EUPI775900-625B	EUP	9.000	7.750	0.625	0.687	RMD863	
DEUI900775-750	DEU	9.000	7.750	0.750	0.813	RF5238	DE900775
EUPI775900-914B	EUP	9.000	7.750	0.914	1.005	R00052	L54
EUPI800900-500A	EUP	9.000	8.000	0.500	0.550	RMD755A	
EUPI800900-500B	EUP	9.000	8.000	0.500	0.550	RMD755	
EUPI800900-568B	EUP	9.000	8.000	0.568	0.650	R09286	MU554
EUPI800900-750B	EUP	9.000	8.000	0.750	0.825	RMD758	
EUPI825900-375A	EUP	9.000	8.250	0.375	0.413	RMD635A	
EUPI825900-375B	EUP	9.000	8.250	0.375	0.413	RMD635	
EUPI825900-500B	EUP	9.000	8.250	0.500	0.525		

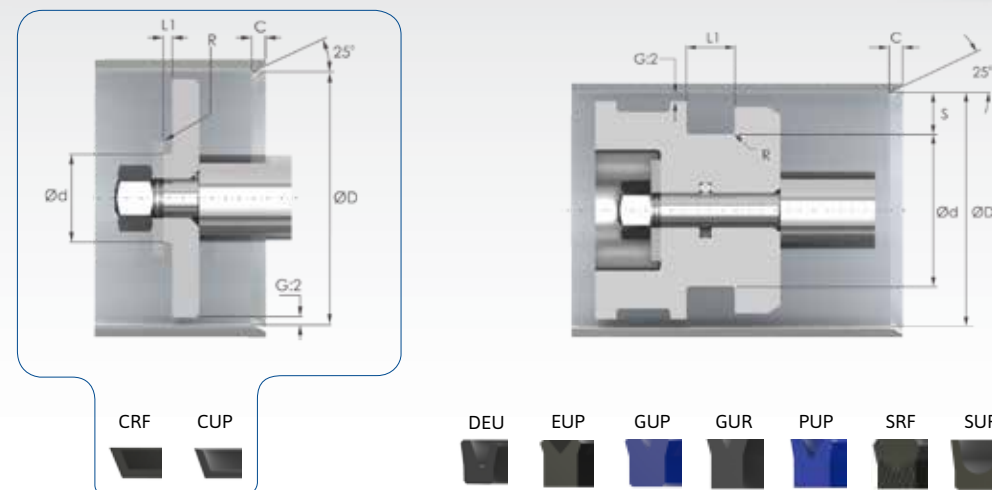
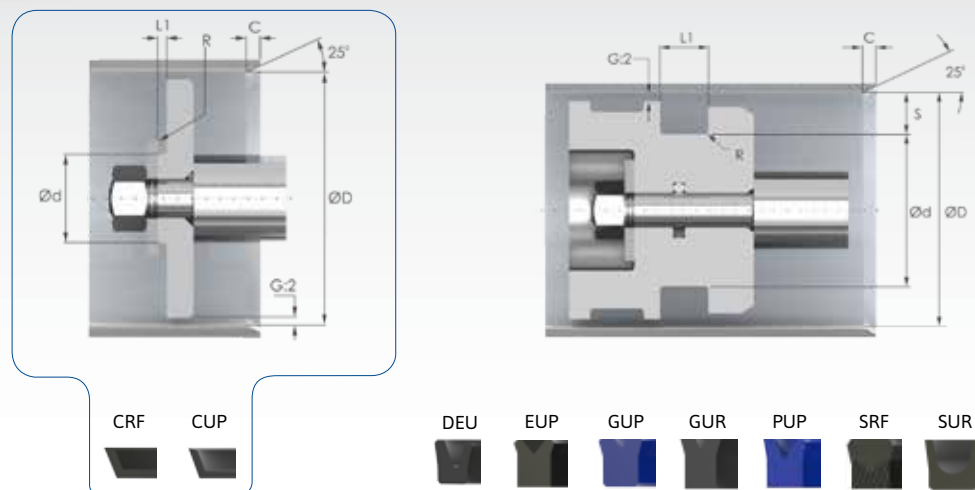
PART N°	PROFILE	HOUSING DIMENSIONS				REFERENCE N°	ALTERNATIVE REFERENCE N°
		ØD	Ød	SH	L1		
DEUI900825-500	DEU	9.000	8.250	0.500	0.563	RF5239	DE900
EUPI825900-625B	EUP	9.000	8.250	0.625	0.687	RMD636	
EUPI850900-250A	EUP	9.000	8.500	0.250	0.275	RMD358A	
EUPI850900-250B	EUP	9.000	8.500	0.250	0.275	RMD358	
EUPI850900-375B	EUP	9.000	8.500	0.375	0.413	RMD359	
EUPI850900-562B	EUP	9.000	8.500	0.562	0.619	R30180	
EUPI812912-500B	EUP	9.125	8.125	0.500	0.550	R30176	
EUPI850912-312B	EUP	9.125	8.500	0.312	0.343	R30181	
EUPI850912-625B	EUP	9.125	8.500	0.625	0.687	R30182	
GURI775925-750	GUR	9.250	7.750	0.750	0.813		
EUPI800925-568B	EUP	9.250	8.000	0.568	0.625	R00122	MU55
EUPI800925-625A	EUP	9.250	8.000	0.625	0.687	RMD864A	
EUPI800925-625B	EUP	9.250	8.000	0.625	0.687	RMD864	
DEUI925800-750	DEU	9.250	8.000	0.750	0.813	RF5240	DE925800
EUPI800925-914B	EUP	9.250	8.000	0.914	1.005	R00053	L55
EUPI825925-500A	EUP	9.250	8.250	0.500	0.550	RMD1370A	
EUPI825925-500B	EUP	9.250	8.250	0.500	0.550	RMD1370	
EUPI850925-375A	EUP	9.250	8.500	0.375	0.413	RMD639A	
EUPI850925-375B	EUP	9.250	8.500	0.375	0.413	RMD639	
EUPI850925-625B	EUP	9.250	8.500	0.625	0.687	RMD638	
EUPI875925-250A	EUP	9.250	8.750	0.250	0.275	RMD1204	
DEUI925875-270	DEU	9.250	8.750	0.270	0.344	RF5241	DE925
EUPI875925-375B	EUP	9.250	8.750	0.375	0.413	RMD1205	
CUPI950000-100	CUP	9.500	0.000	1.000	0.187	R69809	
CUPI950700-625	CUP	9.500	7.000	0.625	0.250	R69810	
EUPI825950-568B	EUP	9.500	8.250	0.568	0.625	R00123	MU56
GURI825950-625	GUR	9.500	8.250	0.625	0.688		
DEUI950825-750	DEU	9.500	8.250	0.750	0.813	RF5242	DE950825
EUPI825950-812B	EUP	9.500	8.250	0.812	0.837	R09288	L370
EUPI825950-914B	EUP	9.500	8.250	0.914	1.005	R00054	L56
EUPI825950-1000B	EUP	9.500	8.250	1.000	1.100	RMD1405	
EUPI850950-500A	EUP	9.500	8.500	0.500	0.550	RMD761A	
EUPI850950-500B	EUP	9.500	8.500	0.500	0.550	RMD761	
EUPI850950-750B	EUP	9.500	8.500	0.750	0.825	RMD762	
EUPI850950-1000B	EUP	9.500	8.500	1.000	1.100	R09121	L412
EUPI875950-375A	EUP	9.500	8.750	0.375	0.413	RMD1326A	
EUPI875950-375B	EUP	9.500	8.750	0.375	0.413	RMD1326	
EUPI875950-625A	EUP	9.500	8.750	0.625	0.687	RMD1327A	
EUPI875950-625B	EUP	9.500	8.750	0.625	0.687	RMD1327	
EUPI900950-250A	EUP	9.500	9.000	0.250	0.275	RMD360A	
EUPI900950-250B	EUP	9.500	9.000	0.250	0.275	RMD360	
DEUI950900-270	DEU	9.500	9.000	0.270	0.344	RF5243	DE950
EUPI900950-562A	EUP	9.500	9.000	0.562	0.619	RMD1206A	
EUPI900950-562B	EUP	9.500	9.000	0.562	0.619	RMD1206	
GURI800975-750	GUR	9.750	8.000	0.750	0.813		

PISTON SEALS SINGLE ACTING IMPERIAL

PISTON SEALS SINGLE ACTING IMPERIAL

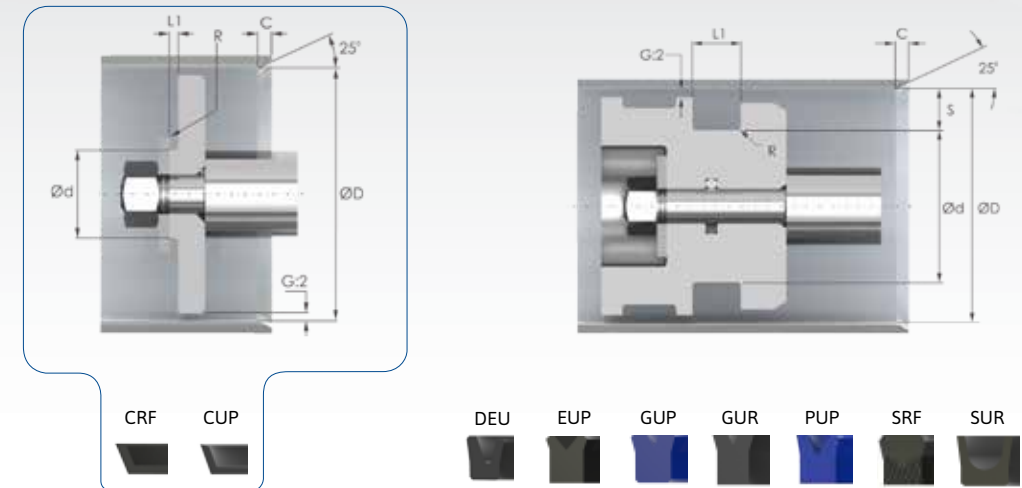
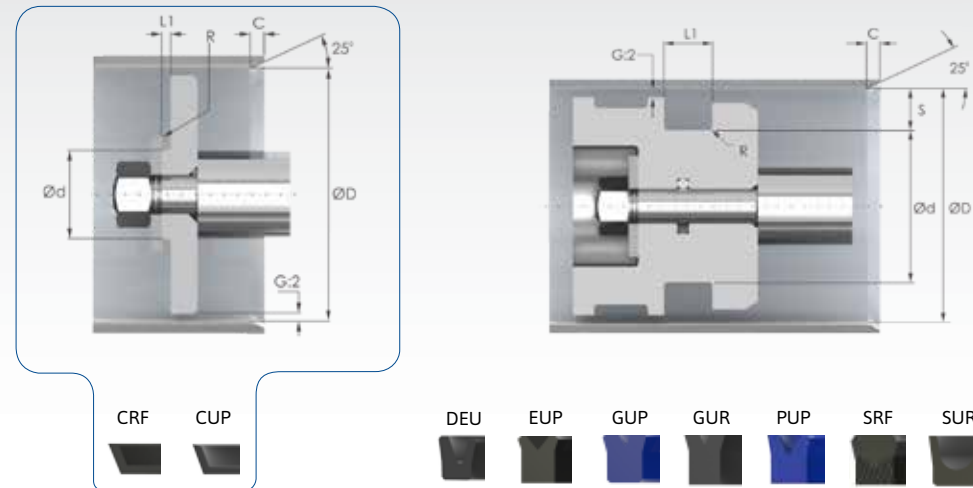
PISTON SEALS SINGLE ACTING IMPERIAL

PISTON SEALS SINGLE ACTING IMPERIAL



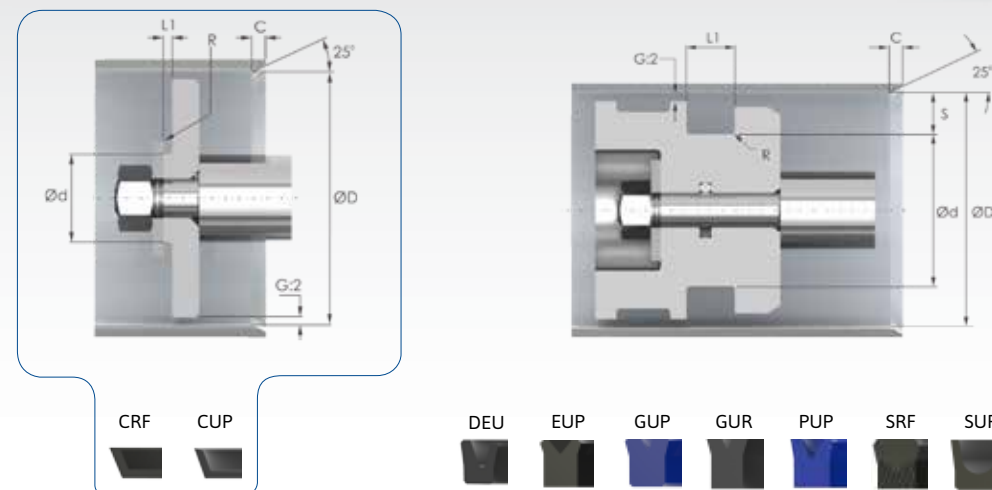
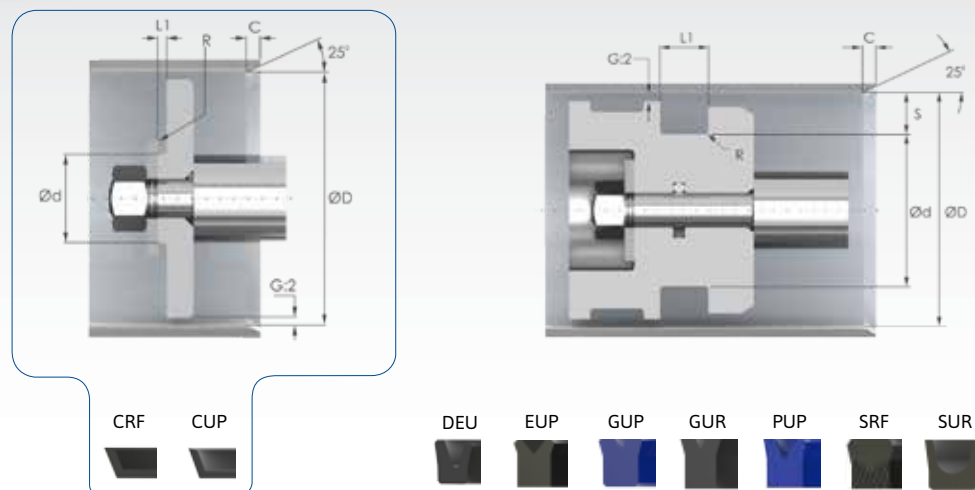
PART N°	PROFILE	HOUSING DIMENSIONS				REFERENCE N°	ALTERNATIVE REFERENCE N°
		ØD	Ød	SH	L1		
EUPI850975-568B	EUP	9.750	8.500	0.568	0.625	R00124	MU57
EUPI850975-625A	EUP	9.750	8.500	0.625	0.687	RMD1406A	
EUPI850975-625B	EUP	9.750	8.500	0.625	0.687	RMD1406	
DEUI975850-750	DEU	9.750	8.500	0.750	0.813	RF5244	DE975850
EUPI850975-914B	EUP	9.750	8.500	0.914	1.005	R00055	L57
EUPI850975-1000B	EUP	9.750	8.500	1.000	1.100	RMD1407	
EUPI875975-500A	EUP	9.750	8.750	0.500	0.550	RMD763A	
EUPI875975-500B	EUP	9.750	8.750	0.500	0.550	RMD763	
EUPI875975-750B	EUP	9.750	8.750	0.750	0.825	RMD1371	
EUPI900975-375B	EUP	9.750	9.000	0.375	0.413	RMD1329	
EUPI900975-375A	EUP	9.750	9.000	0.375	0.413	RMD1328	
DEUI975900-375	DEU	9.750	9.000	0.375	0.438	RF5245	DE975
DEUI975900-500	DEU	9.750	9.000	0.500	0.562		
EUPI900975-625B	EUP	9.750	9.000	0.625	0.687	RMD641	
EUPI925975-250A	EUP	9.750	9.250	0.250	0.275	RMD1207A	
EUPI925975-250B	EUP	9.750	9.250	0.250	0.275	RMD1207	
EUPI925987-625B	EUP	9.875	9.250	0.625	0.687	RMD1265	
CUPI1000000-750	CUP	10.000	0.000	0.750	0.187	R69811	
CUPI1000000-1000	CUP	10.000	0.000	1.000	0.187	R69812	
CUPI1000300-10	CUP	10.000	3.000	1.000	0.250	R64533	
CUPI1000500-1000	CUP	10.000	5.000	1.000	0.250	R03820	
CUPI1000740-10	CUP	10.000	7.400	1.000	0.250	R03942	
GURI8501000-750	GUR	10.000	8.500	0.750	0.813		
EUPI8751000-568B	EUP	10.000	8.750	0.568	0.625	R00125	MU58
EUPI8751000-625A	EUP	10.000	8.750	0.625	0.687	RMD1408A	
EUPI8751000-625B	EUP	10.000	8.750	0.625	0.687	RMD1408	
DEUI1000875-750	DEU	10.000	8.750	0.750	0.800	RF5246	DE100087
EUPI8751000-914B	EUP	10.000	8.750	0.914	1.005		
EUPI9001000-500A	EUP	10.000	9.000	0.500	0.550	RMD764A	
EUPI9001000-500B	EUP	10.000	9.000	0.500	0.550	RMD764	
SURI9001000-500	SUR	10.000	9.000	0.500	0.562	R07893	S918
EUPI9001000-750B	EUP	10.000	9.000	0.750	0.825	RMD830	
SURI9251000-375	SUR	10.000	9.250	0.375	0.406		
EUPI9251000-375A	EUP	10.000	9.250	0.375	0.413	RMD643A	
EUPI9251000-375B	EUP	10.000	9.250	0.375	0.413	RMD643	
DEUI1000925-500	DEU	10.000	9.250	0.500	0.563	RF5247	DE1000
CUPI1000925-625	CUP	10.000	9.250	0.625	0.156	R69813	
EUPI9251000-625A	EUP	10.000	9.250	0.625	0.650	R08857A	
EUPI9251000-625B	EUP	10.000	9.250	0.625	0.650	R08857	L454
SURI9311000-344	SUR	10.000	9.312	0.344	0.375	RF5133	
EUPI9371000-625B	EUP	10.000	9.375	0.625	0.687	RMD1266	
EUPI9501000-250A	EUP	10.000	9.500	0.250	0.275	RMD1208A	
EUPI9501000-250B	EUP	10.000	9.500	0.250	0.275	RMD1208	
EUPI9501000-562B	EUP	10.000	9.500	0.562	0.619	RMD362	
EUPI9001025-568B	EUP	10.250	9.000	0.568	0.625	R00126	MU59

PART N°	PROFILE	HOUSING DIMENSIONS				REFERENCE N°	ALTERNATIVE REFERENCE N°
		ØD	Ød	SH	L1		
EUPI9001025-625A	EUP	10.250	9.000	0.625	0.687	RMD1409A	
EUPI9001025-625B	EUP	10.250	9.000	0.625	0.687	RMD1409	
DEUI1025900-750	DEU	10.250	9.000	0.750	0.813	RF5248	DE102590
EUPI9001025-914B	EUP	10.250	9.000	0.914	1.005	R00057	L59
EUPI9251025-750B	EUP	10.250	9.250	0.750	0.825	RMD1372	
EUPI9501025-375A	EUP	10.250	9.500	0.375	0.413	RMD650A	
EUPI9501025-375B	EUP	10.250	9.500	0.375	0.413	RMD650	
EUPI9501025-625B	EUP	10.250	9.500	0.625	0.687	RMD1330	
EUPI9751025-250A	EUP	10.250	9.750	0.250	0.275	RMD361A	
EUPI9751025-250B	EUP	10.250	9.750	0.250	0.275	RMD361	
EUPI9751025-562B	EUP	10.250	9.750	0.562	0.619	RMD1209	
CUPI1050850-625	CUP	10.500	8.500	0.625	0.250	R69814	
EUPI9001050-750A	EUP	10.500	9.000	0.750	0.825	RMD904A	
EUPI9001050-750B	EUP	10.500	9.000	0.750	0.825	RMD904	
GURI9001050-875	GUR	10.500	9.000	0.875	0.938		
EUPI9251050-625A	EUP	10.500	9.250	0.625	0.687	RMD1410A	
EUPI9251050-625B	EUP	10.500	9.250	0.625	0.687	RMD1410	
DEUI1050925-750	DEU	10.500	9.250	0.750	0.813	RF5249	DE105092
EUPI9501050-500B	EUP	10.500	9.500	0.500	0.550	RMD1435	
EUPI9501050-750A	EUP	10.500	9.500	0.750	0.825		
EUPI9501050-750B	EUP	10.500	9.500	0.750	0.825	RMD1436	
EUPI9751050-375B	EUP	10.500	9.750	0.375	0.400		
DEUI1050975-500	DEU	10.500	9.750	0.500	0.560	RF5250	DE1050
EUPI9751055-625B	EUP	10.500	9.750	0.625	0.687	RMD653	
EUPI10001050-25A	EUP	10.500	10.000	0.250	0.275	RMD363	
EUPI10001050-25B	EUP	10.500	10.000	0.250	0.275	RMD1210	
EUPI10001050-56B	EUP	10.500	10.000	0.562	0.619	RMD1211	
EUPI9501075-568B	EUP	10.750	9.500	0.568	0.625	R00128	MU61
EUPI9501075-625A	EUP	10.750	9.500	0.625	0.687	RMD1411A	
EUPI9501075-625B	EUP	10.750	9.500	0.625	0.687	RMD1411	
DEUI1075950-750	DEU	10.750	9.500	0.750	0.813	RF5251	DE107595
EUPI9501075-914B	EUP	10.750	9.500	0.914	1.005	R00059	L61
EUPI9751075-500A	EUP	10.750	9.750	0.500	0.550	RMD1373A	
EUPI9751075-500B	EUP	10.750	9.750	0.500	0.550	RMD1373	
EUPI10001075-37A	EUP	10.750	10.000	0.375	0.413	RMD654A	
EUPI10001075-37B	EUP	10.750	10.000	0.375	0.413	RMD654	
EUPI10001075-62B	EUP	10.750	10.000	0.625	0.687	RMD657	
CUPI1100900-625	CUP	11.000	9.000	0.625	0.250	R69815	
GURI9501100-875	GUR	11.000	9.500	0.875	0.938		
EUPI9751100-568B	EUP	11.000	9.750	0.568	0.625	R00129	MU62
DEUI1100975-750	DEU	11.000	9.750	0.750	0.813	RF5252	DE110097
EUPI9751100-914B	EUP	11.000	9.750	0.914	1.005	R00060	L62
EUPI10001100-50A	EUP	11.000	10.000	0.500	0.550	RMD1374	
EUPI10001100-75B	EUP	11.000	10.000	0.750	0.825	RMD701	
EUPI10251100-3A	EUP	11.000	10.250	0.375	0.413	RMD655A	



PART N°	PROFILE	HOUSING DIMENSIONS				REFERENCE N°	ALTERNATIVE REFERENCE N°
		ØD	Ød	SH	L1		
EUPI10251100-3B	EUP	11.000	10.250	0.375	0.413	RMD655	
EUPI10501100-2A	EUP	11.000	10.500	0.250	0.275	RMD367A	
EUPI10501100-2B	EUP	11.000	10.500	0.250	0.275	RMD367	
DEUI1001055-270	DEU	11.000	10.550	0.270	0.344	RF5253	DE1100
DEUI11251000-750	DEU	11.250	10.000	0.750	0.813	RF5254	DE112510
EUPI10001125-10B	EUP	11.250	10.000	1.000	1.100	RMD869	
CUPI1150950-625	CUP	11.500	9.500	0.625	0.250	R69816	
GURI10001150-875	GUR	11.500	10.000	0.875	0.938		
EUPI10001150-10B	EUP	11.500	10.000	1.000	1.030	R09293	L307
DEUI11501025-750	DEU	11.500	10.250	0.750	0.750	RF5255	DE115010
EUPI10501150-5A	EUP	11.500	10.500	0.500	0.550	RMD772A	
EUPI10501150-5B	EUP	11.500	10.500	0.500	0.550	RMD772	
EUPI10501150-10B	EUP	11.500	10.500	1.000	1.025		
EUPI10751150-62B	EUP	11.500	10.750	0.625	0.687	RMD1331	
EUPI11001150-25A	EUP	11.500	11.000	0.250	0.275	RMD1212A	
EUPI11001150-25B	EUP	11.500	11.000	0.250	0.275	RMD1212	
DEUI11501100-250	DEU	11.500	11.000	0.250	0.313		
GUPI1001150-500	GUP	11.500	11.000	0.500	0.550		
EUPI10621162-15B	EUP	11.625	10.625	1.500	1.525	R09294	L322
DEUI11751050-750	DEU	11.750	10.500	0.750	0.813		
EUPI10751175-50A	EUP	11.750	10.750	0.500	0.550	RMD1375A	
EUPI10751175-50B	EUP	11.750	10.750	0.500	0.550	RMD1375	
EUPI11001175-62B	EUP	11.750	11.000	0.625	0.687	RMD656	
CUPI1200000-750	CUP	12.000	0.000	0.750	0.187	R69817	
CRFI1200000-1000	CRF	12.000	0.000	1.000	0.188	R69818	
CUPI1200000-1250	CUP	12.000	0.000	1.250	0.187	R69839	
CUPI1200500-750	CUP	12.000	5.000	0.750	0.250	R03822	S443
CUPI1200913-625	CUP	12.000	9.125	0.625	0.156	R69819	
SURI10001200-500	SUR	12.000	10.000	0.500	0.550	RF5137	SU90
GURI10501200-875	GUR	12.000	10.500	0.875	0.938		
EUPI10751200-56B	EUP	12.000	10.750	0.568	0.625	R00133	MU66
EUPI10751200-62A	EUP	12.000	10.750	0.625	0.687	RMD1412A	
EUPI10751200-62B	EUP	12.000	10.750	0.625	0.687	RMD1412	
DEUI12001075-750	DEU	12.000	10.750	0.750	0.813	RF5258	DE120010
EUPI10751200-91B	EUP	12.000	10.750	0.914	1.005	R00064	L66
EUPI11001200-50A	EUP	12.000	11.000	0.500	0.550	RMD775A	
EUPI11001200-50B	EUP	12.000	11.000	0.500	0.550	RMD775	
DEUI12001100-500	DEU	12.000	11.000	0.500	0.563	RF5259	DE1200
EUPI11001200-75B	EUP	12.000	11.000	0.750	0.825	RMD777	
EUPI11251200-37A	EUP	12.000	11.250	0.375	0.413	RMD663A	
EUPI11251200-37B	EUP	12.000	11.250	0.375	0.413	RMD663	
EUPI11251200-62A	EUP	12.000	11.250	0.625	0.687	RMD1332A	
EUPI11251200-62B	EUP	12.000	11.250	0.625	0.687	RMD1332	
EUPI11501200-25A	EUP	12.000	11.500	0.250	0.275	RMD368A	
EUPI11501200-25B	EUP	12.000	11.500	0.250	0.275	RMD368	

PART N°	PROFILE	HOUSING DIMENSIONS				REFERENCE N°	ALTERNATIVE REFERENCE N°
		ØD	Ød	SH	L1		
EUPI11501225-62B	EUP	12.250	11.500	0.625	0.687	RMD1333	
CUPI12501000-625	CUP	12.500	10.000	0.625	0.250	R69820	
GURI11001250-875	GUR	12.500	11.000	0.875	0.938		
EUPI11251250-56B	EUP	12.500	11.250	0.568	0.625	R00135	MU68
EUPI11251250-91B	EUP	12.500	11.250	0.914	1.005	R00066	L68
EUPI11251250-10B	EUP	12.500	11.250	1.000	1.100	RMD875	
EUPI11501250-75M	EUP	12.500	11.500	0.750	0.775	R09295	MU566
EUPI11501250-75A	EUP	12.500	11.500	0.750	0.825	RMD779A	
EUPI11501250-75B	EUP	12.500	11.500	0.750	0.825	RMD779	
EUPI11751250-37A	EUP	12.500	11.750	0.375	0.413	RMD1334A	
EUPI11751250-37B	EUP	12.500	11.750	0.375	0.413	RMD1334	
EUPI12001250-25A	EUP	12.500	12.000	0.250	0.275	RMD1213A	
EUPI12001250-25B	EUP	12.500	12.000	0.250	0.275	RMD1213	
DEUI12501200-270	DEU	12.500	12.000	0.270	0.344	RF5260	DE1250
EUPI11501275-56B	EUP	12.750	11.500	0.568	0.625	R00136	MU69
EUPI11501275-91B	EUP	12.750	11.500	0.914	1.005	R00067	L69
EUPI11501275-10B	EUP	12.750	11.500	1.000	1.100	RMD1413	
EUPI11751275-50A	EUP	12.750	11.750	0.500	0.550	RMD1376A	
EUPI11751275-50B	EUP	12.750	11.750	0.500	0.550	RMD1376	
EUPI12001275-37A	EUP	12.750	12.000	0.375	0.413	RMD1335A	
EUPI12001275-37B	EUP	12.750	12.000	0.375	0.413	RMD1335	
EUPI12001275-50B	EUP	12.750	12.000	0.500	0.550		
EUPI12001275-62B	EUP	12.750	12.000	0.625	0.687	RMD1336	
CUPI13001050-625	CUP	13.000	10.500	0.625	0.250	R69821	
GURI11501300-875	GUR	13.000	11.500	0.875	0.938		
EUPI11501300-93B	EUP	13.000	11.500	0.937	0.962	R09296	MU568
EUPI11751300-56B	EUP	13.000	11.750	0.568	0.625	R00137	MU70
EUPI11751300-91B	EUP	13.000	11.750	0.914	1.005	R00068	L70
EUPI12001300-50A	EUP	13.000	12.000	0.500	0.550	RMD781A	
EUPI12001300-50B	EUP	13.000	12.000	0.500	0.550	RMD781	
EUPI12001300-75B	EUP	13.000	12.000	0.750	0.775	R09297	L346
EUPI12251300-37A	EUP	13.000	12.250	0.375	0.413	RMD1337A	
EUPI12251300-37B	EUP	13.000	12.250	0.375	0.413	RMD1337	
DEUI13001225-500	DEU	13.000	12.250	0.500	0.563	RF5261	DE1300
EUPI12001325-62A	EUP	13.250	12.000	0.625	0.687	RMD1414A	
EUPI12001325-62B	EUP	13.250	12.000	0.625	0.687	RMD1414	
CUPI13501150-625	CUP	13.500	11.500	0.625	0.140	R69822	
GURI12001350-875	GUR	13.500	12.000	0.875	0.938		
EUPI12001350-10B	EUP	13.500	12.000	1.000	1.030	R09298	L315
EUPI12251350-10B	EUP	13.500	12.250	1.000	1.100	RMD1415	
EUPI12501350-75B	EUP	13.500	12.500	0.750	0.775		
DEUI13501275-500	DEU	13.500	12.750	0.500	0.563	RF5262	DE1350
EUPI13001375-37A	EUP	13.750	13.000	0.375	0.413	RMD672A	
EUPI13001375-37B	EUP	13.750	13.000	0.375	0.413	RMD672	
CUPI1400000-1250	CUP	14.000	0.000	1.250	0.180	R69840	

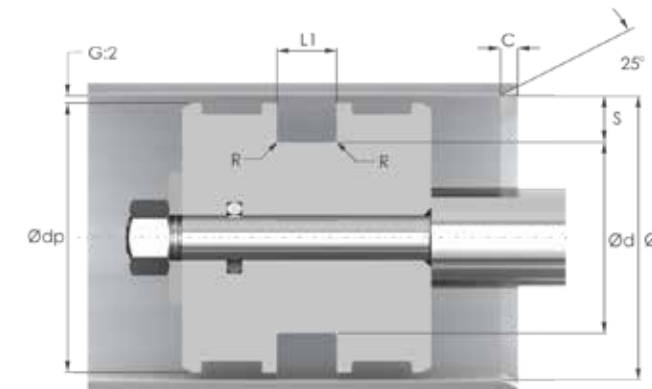


PART N°	PROFILE	HOUSING DIMENSIONS				REFERENCE N°	ALTERNATIVE REFERENCE N°
		ØD	Ød	SH	L1		
CUPI14001100-750	CUP	14.000	11.000	0.750	0.250	R69823	
EUPI12501400-75A	EUP	14.000	12.500	0.750	0.755	R09597A	
EUPI12501400-75B	EUP	14.000	12.500	0.750	0.755	R09597	MU556
GURI12501400-875	GUR	14.000	12.500	0.875	0.938		
EUPI12501400-10B	EUP	14.000	12.500	1.000	1.030	R09299	L390
EUPI12751400-62A	EUP	14.000	12.750	0.625	0.650	R09599A	
EUPI12751400-62B	EUP	14.000	12.750	0.625	0.650	R09599	MU559
EUPI12751400-10B	EUP	14.000	12.750	1.000	1.030	R09598	L395
EUPI13001400-50A	EUP	14.000	13.000	0.500	0.550	RMD800A	
EUPI13001400-50B	EUP	14.000	13.000	0.500	0.550	RMD800	
SURI13001400-500	SUR	14.000	13.000	0.500	0.550	RF5143	
EUPI13001400-75B	EUP	14.000	13.000	0.750	0.825	RMD1377	
SURI13181400-406	SUR	14.000	13.187	0.406	0.438	RF5145	
DEUI14001319-500	DEU	14.000	13.190	0.500	0.563	RF5263	DE1400
EUPI13251400-37A	EUP	14.000	13.250	0.375	0.413	RMD1338A	
EUPI13251400-37B	EUP	14.000	13.250	0.375	0.413	RMD1338	
EUPI13501400-25B	EUP	14.000	13.500	0.250	0.275		
EUPI13251425-50A	EUP	14.250	13.250	0.500	0.525	R09653A	
EUPI13251425-50B	EUP	14.250	13.250	0.500	0.525	R09653	MU541
CUPI14501150-750	CUP	14.500	11.500	0.750	0.250	R69824	
GURI13001450-875	GUR	14.500	13.000	0.875	0.938		
EUPI13501450-75B	EUP	14.500	13.500	0.750	0.825	RMD906	
EUPI14001475-37A	EUP	14.750	14.000	0.375	0.413	RMD1339A	
EUPI14001475-37B	EUP	14.750	14.000	0.375	0.413	RMD1339	
CUPI15001200-750	CUP	15.000	12.000	0.750	0.250	R69825	
GURI13251500-875	GUR	15.000	13.250	0.875	0.938		
EUPI13501500-70B	EUP	15.000	13.500	0.705	0.775	R11222	MU580
EUPI13501500-75A	EUP	15.000	13.500	0.750	0.825	RMD907A	
EUPI13501500-75B	EUP	15.000	13.500	0.750	0.825	RMD907	
GURI13501525-875	GUR	15.250	13.500	0.875	0.938		
EUPI14001525-10A	EUP	15.250	14.000	1.000	1.100	RMD1416A	
EUPI14001525-10B	EUP	15.250	14.000	1.000	1.100	RMD1416	
CUPI15501250-7	CUP	15.500	12.500	0.750	0.250	R69826	
EUPI14001550-75A	EUP	15.500	14.000	0.750	0.775	R09655A	
EUPI14001550-75B	EUP	15.500	14.000	0.750	0.775	R09655	MU532
EUPI1400155-750B	EUP	15.500	14.000	0.750	1.030	R09654	L331
GURI14001550-875	GUR	15.500	14.000	0.875	0.938		
EUPI14751550-62B	EUP	15.500	14.750	0.625	0.687	RMD1340	
EUPI15001575-37A	EUP	15.750	15.000	0.375	0.413	RMD1341A	
EUPI15001575-37B	EUP	15.750	15.000	0.375	0.413	RMD1341	
CUPI16001338-750	CUP	16.000	13.370	0.750	0.156	R69827	
EUPI14501600-75B	EUP	16.000	14.500	0.755	1.125	R09656	MU565
GURI14501600-875	GUR	16.000	14.500	0.875	0.938		
EUPI15001600-50A	EUP	16.000	15.000	0.500	0.550	RMD1378A	
EUPI15001600-50B	EUP	16.000	15.000	0.500	0.550	RMD1378	

PART N°	PROFILE	HOUSING DIMENSIONS				REFERENCE N°	ALTERNATIVE REFERENCE N°
		ØD	Ød	SH	L1		
EUPI15501625-37A	EUP	16.250	15.500	0.375	0.413	RMD1342A	
EUPI15501625-37B	EUP	16.250	15.500	0.375	0.413	RMD1342	
GURI15001650-875	GUR	16.500	15.000	0.875	0.938		
EUPI15501650-50B	EUP	16.500	15.500	0.500	0.550	RMD1437	
EUPI15501675-10B	EUP	16.750	15.500	1.000	1.100	RMD1417	
GURI15501700-875	GUR	17.000	15.500	0.875	0.938		
EUPI16001700-50A	EUP	17.000	16.000	0.500	0.550	RMD808A	
EUPI16001700-50B	EUP	17.000	16.000	0.500	0.550	RMD808	
EUPI16001700-75B	EUP	17.000	16.000	0.750	0.825	RMD1379	
EUPI16251700-37A	EUP	17.000	16.250	0.375	0.413	RMD677A	
EUPI16251700-37B	EUP	17.000	16.250	0.375	0.413	RMD677	
EUPI16001750-75A	EUP	17.500	16.000	0.750	0.775	R09123A	
GURI16001750-875	GUR	17.500	16.000	0.875	0.938		
EUPI16501750-50A	EUP	17.500	16.500	0.500	0.550	RMD1380A	
EUPI16501750-50B	EUP	17.500	16.500	0.500	0.550	RMD1380	
EUPI16001800-23B	EUP	18.000	16.000	2.375	2.400	R09068	L407
GURI16501800-875	GUR	18.000	16.500	0.875	0.938		
GURI17001850-875	GUR	18.500	17.000	0.875	0.938		
GURI17501900-875	GUR	19.000	17.500	0.875	0.938		
EUPI18001900-50A	EUP	19.000	18.000	0.500	0.550	RMD1381A	
EUPI18001900-50B	EUP	19.000	18.000	0.500	0.550	RMD1381	
GURI18001950-875	GUR	19.500	18.000	0.875	0.938		
EUPI18501950-50A	EUP	19.500	18.500	0.500	0.550	RMD1382A	
EUPI18501950-50B	EUP	19.500	18.500	0.500	0.550	RMD1382	
GURI18502000-750	GUR	20.000	18.500	0.750	0.813		
EUPI18752000-10B	EUP	20.000	18.750	1.000	1.100	RMD1418	
EUPI19002000-50A	EUP	20.000	19.000	0.500	0.550	RMD1383A	
EUPI19002000-50B	EUP	20.000	19.000	0.500	0.550	RMD1383	
EUPI20002100-50A	EUP	21.000	20.000	0.500	0.550	RMD1384A	
EUPI20002100-50B	EUP	21.000	20.000	0.500	0.550	RMD1384	
EUPI20252225-10B	EUP	22.250	20.250	1.000	1.025	R09658	MU543
EUPI22002400-23B	EUP	24.000	22.000	2.375	2.400	R09659	L400
EUPI26002800-23B	EUP	28.000	26.000	2.375	2.400	R09069	L408



PISTON SEALS
DOUBLE ACTING



TECHNICAL SPECIFICATIONS

SPECIFIED TOLERANCES		
$\varnothing D$	$\varnothing d$	L1
Js11	h9	+0.2 (+ 0.008) +0.4 (+ 0.016)

SURFACE FINISH	
DYNAMIC SEALING SURFACE	0.1 to 0.4 μm Ra
STATIC SEALING SURFACE	0.8 to 1.6 μm Ra
STATIC HOUSING FACE	1.4 to 3.2 μm Ra

RADII AND CHAMFER						
S mm	4.00	5.00	7.50	10.00	12.50	15.00
R mm	0.20	0.40	0.80	0.80	1.20	1.60
C mm	3.20	4.00	6.00	8.00	10.00	12.00
S inches	0.125	0.187	0.250	0.312	0.375	0.500
R inches	0.008	0.016	0.032	0.032	0.048	0.062
C inches	0.100	0.150	0.200	0.250	0.300	0.400

DESIGN

- Double acting piston seal manufactured from cast iron.
- Suitable for one piece pistons.
- Used in heavy duty applications where elastomeric seals are unable to perform.

MATERIAL

- Spheroidal or Nodular Cast Iron.

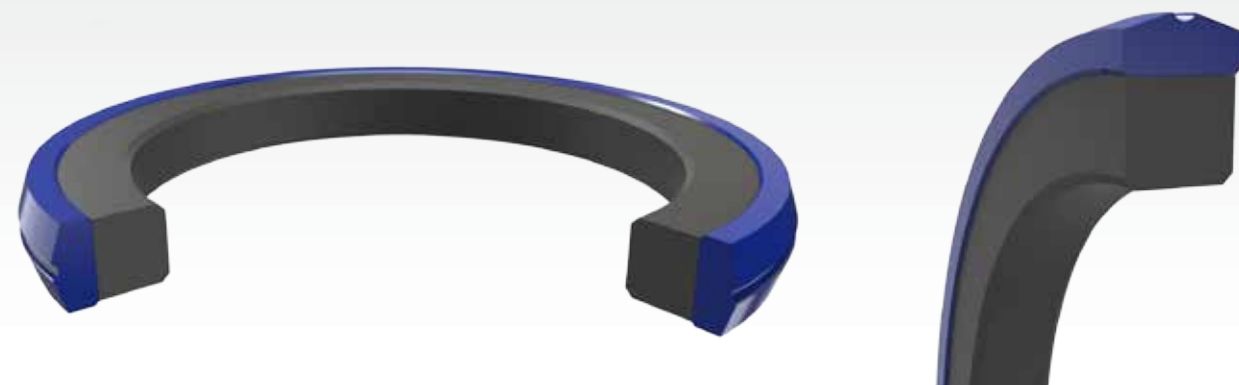
APPLICATION

- Heavy duty double acting seal usually used in sets of 3.
- Excellent for the most extreme environments.
- Excellent for passing over ports.
- Has wide tolerance to temperature, fluid compatibility and extrusion gaps.

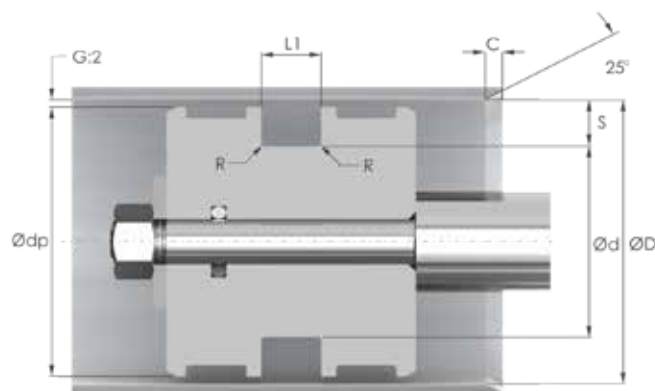
FLUIDS

- Hydraulic fluids, petroleum fuels and oils

DAG



DAP/S



TECHNICAL SPECIFICATIONS

SPECIFIED TOLERANCES		
ØD	Ød	L1
Js11	h9	+0.2 (+ 0.008) +0.4 (+ 0.016)

MAXIMUM OPERATING CONDITIONS		
Temp °C	Pressure	Speed
- 30° to + 100° C	400 bar (6000 psi)	0.5 m/sec (1.5 ft/sec)

SURFACE FINISH	
DYNAMIC SEALING SURFACE	0.1 to 0.4 µm Ra
STATIC SEALING SURFACE	0.8 to 1.6 µm Ra
STATIC HOUSING FACE	1.4 to 3.2 µm Ra

MAXIMUM EXTRUSION GAP v PRESSURE			
G mm	Bar	G inches	p.s.i
0.50	50	0.020	750
0.40	100	0.016	1500
0.30	150	0.012	2250
0.15	200	0.006	3000
0.10	300	0.004	4500
0.05	400	0.002	6000

RADII AND CHAMFER						
S mm	4.00	5.00	7.50	10.00	12.50	15.00
R mm	0.20	0.40	0.80	0.80	1.20	1.60
C mm	3.20	4.00	6.00	8.00	10.00	12.00
S inches	0.125	0.187	0.250	0.312	0.375	0.500
R inches	0.008	0.016	0.032	0.032	0.048	0.062
C inches	0.100	0.150	0.200	0.250	0.300	0.400

DESIGN

- Double acting glide style piston seal.
- Suited to one-piece pistons.
- Dual face materials gives wide spectrum of pressure capability.
- Perfect sealing for low and high pressures.

MATERIAL

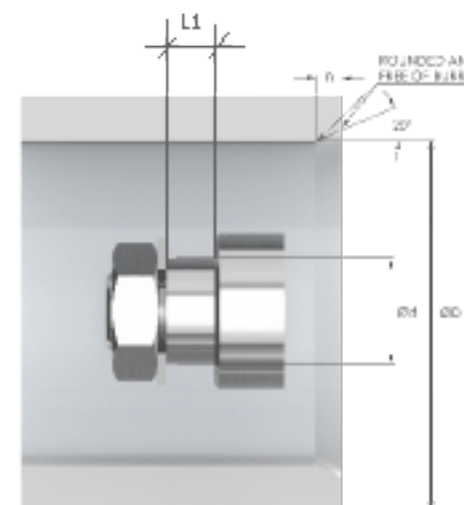
- Polyurethane Cap or Face.
- Nitrile Energising ring.
- Material flexibility allows for easy installation.

APPLICATION

- Medium duty Double Acting piston seal.

FLUIDS

- Hydraulic fluids, petroleum fuels and oils



TECHNICAL SPECIFICATIONS

SPECIFIED TOLERANCES		
ØD	Ød	L1
Js11	h9	+0.2 (+ 0.008) +0.4 (+ 0.016)

MAXIMUM OPERATING CONDITIONS		
Temp °C	Pressure	Speed
- 30° to + 105° C	16 bar (232 psi)	1.0 m/sec (3.0 ft/sec)

SURFACE FINISH	
DYNAMIC SEALING SURFACE	0.1 to 0.4 µm Ra
STATIC SEALING SURFACE	0.8 to 1.6 µm Ra
STATIC HOUSING FACE	1.4 to 3.2 µm Ra

MAXIMUM EXTRUSION GAP v PRESSURE			
G mm	Bar	G inches	p.s.i
0.60	100	0.024	1500
0.50	150	0.020	2400
0.45	250	0.018	3750
0.40	300	0.016	4500

RADII AND CHAMFER						
S mm	4.00	5.00	7.50	10.00	12.50	15.00
R mm	0.20	0.40	0.80	0.80	1.20	1.60
C mm	3.20	4.00	6.00	8.00	10.00	12.00
S inches	0.125	0.187	0.250	0.312	0.375	0.500
R inches	0.008	0.016	0.032	0.032	0.048	0.062
C inches	0.100	0.150	0.200	0.250	0.300	0.400

DESIGN

- Double acting complete piston seal manufactured with a steel core.
- Design is a ready to fit piston with a long service life.
- Integrated garter spring promotes superior sealing performance at low pressures.

MATERIAL

- 90A Nitrile precision moulded shell.
- Common carbon steel center core.
- Stainless steel garter spring.

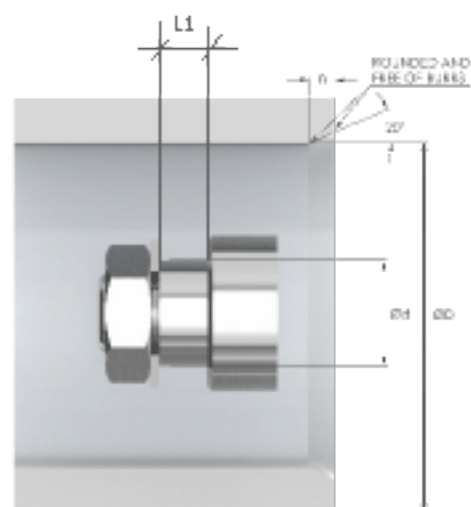
APPLICATION

- Iron and Aluminium General purpose pneumatic cylinders.

FLUIDS

- Dried and de-greased compressed air.

DAP



TECHNICAL SPECIFICATIONS

SPECIFIED TOLERANCES		
ØD	Ød	L1
Js11	h9	+0.2 (+ 0.008) +0.4 (+ 0.016)

MAXIMUM OPERATING CONDITIONS		
Temp °C	Pressure	Speed
- 30° to + 105° C	16 bar (232 psi)	1.0 m/sec (3.0 ft/sec)

SURFACE FINISH	
DYNAMIC SEALING SURFACE	0.1 to 0.4 µm Ra
STATIC SEALING SURFACE	0.8 to 1.6 µm Ra
STATIC HOUSING FACE	1.4 to 3.2 µm Ra

MAXIMUM EXTRUSION GAP v PRESSURE			
G mm	Bar	G inches	p.s.i
0.60	100	0.024	1500
0.50	150	0.020	2400
0.45	250	0.018	3750
0.40	300	0.016	4500

RADII AND CHAMFER						
S mm	4.00	5.00	7.50	10.00	12.50	15.00
R mm	0.20	0.40	0.80	0.80	1.20	1.60
C mm	3.20	4.00	6.00	8.00	10.00	12.00
S inches	0.125	0.187	0.250	0.312	0.375	0.500
R inches	0.008	0.016	0.032	0.032	0.048	0.062
C inches	0.100	0.150	0.200	0.250	0.300	0.400

DESIGN

- Double acting complete piston seal manufactured with a steel core.
- Design is a ready to fit piston with a long service life.
- Design promotes minimal interference for decreased wear and friction.

MATERIAL

- 75A Nitrile precision moulded shell.
- Common carbon Steel center core.

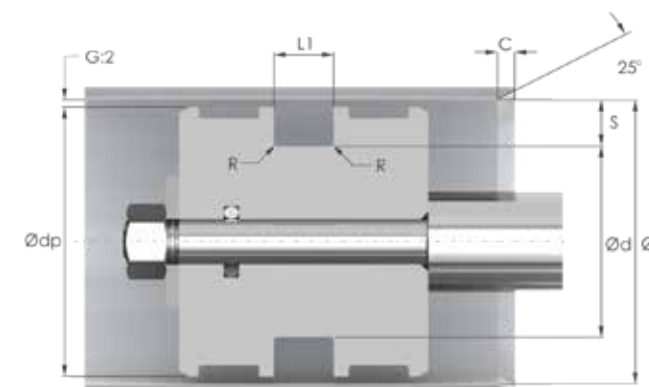
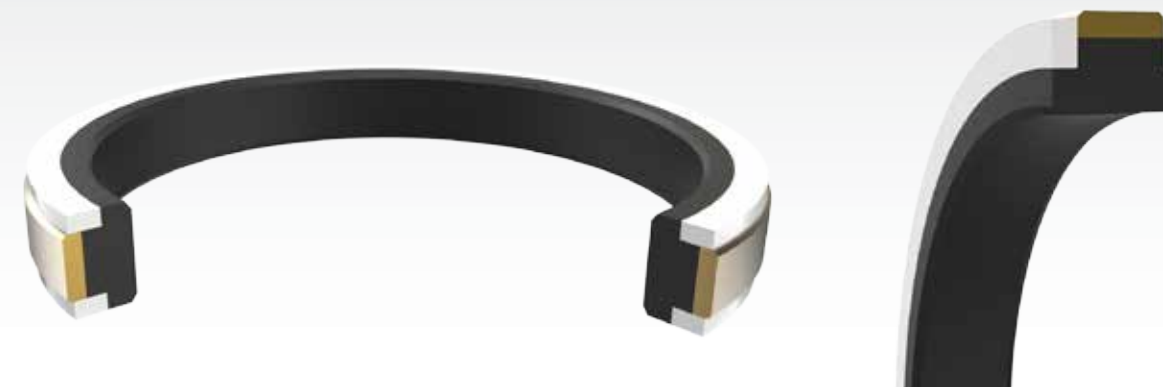
APPLICATION

- Iron and Aluminium General purpose pneumatic cylinders.

FLUIDS

- Dried and de-greased compressed air.

DCT



TECHNICAL SPECIFICATIONS

SPECIFIED TOLERANCES		
ØD	Ød	L1
Js11	h9	+0.2 (+ 0.008) +0.4 (+ 0.016)

MAXIMUM OPERATING CONDITIONS		
Temp °C	Pressure	Speed
- 30° to + 100° C	500 bar (7500 psi)	1.5 m/sec (4.5 ft/sec)

SURFACE FINISH	
DYNAMIC SEALING SURFACE	0.1 to 0.4 µm Ra
STATIC SEALING SURFACE	0.8 to 1.6 µm Ra
STATIC HOUSING FACE	1.4 to 3.2 µm Ra

MAXIMUM EXTRUSION GAP v PRESSURE			
G mm	Bar	G inches	p.s.i
0.50	50	0.020	750
0.40	100	0.016	1500
0.30	150	0.012	2250
0.15	200	0.006	3000
0.10	300	0.004	4500
0.05	400	0.002	6000

RADII AND CHAMFER						
S mm	4.00	5.00	7.50	10.00	12.50	15.00
R mm	0.20	0.40	0.80	0.80	1.20	1.60
C mm	3.20	4.00	6.00	8.00	10.00	12.00
S inches	0.125	0.187	0.250	0.312	0.375	0.500
R inches	0.008	0.016	0.032	0.032	0.048	0.062
C inches	0.100	0.150	0.200	0.250	0.300	0.400

DESIGN

- Double acting piston seal.
- Suited to one-piece pistons.
- 4 piece seal consisting of a filled PTFE face, thermoplastic split anti extrusion rings.
- Nitrile rubber energiser.
- Capable of absorbing shock loading.

MATERIAL

- Filled PTFE face.
- Nitrile Energising ring.
- Reinforced PTFE or nylon back-ups.

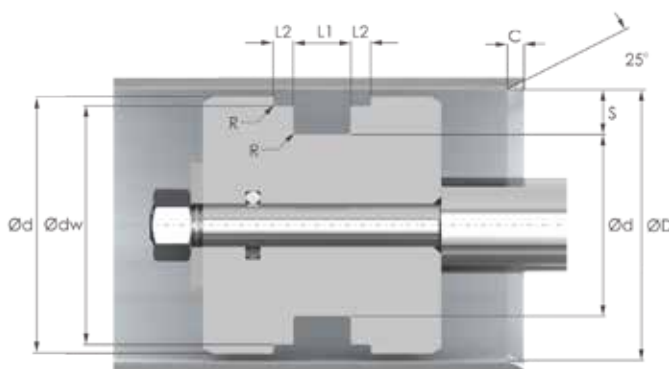
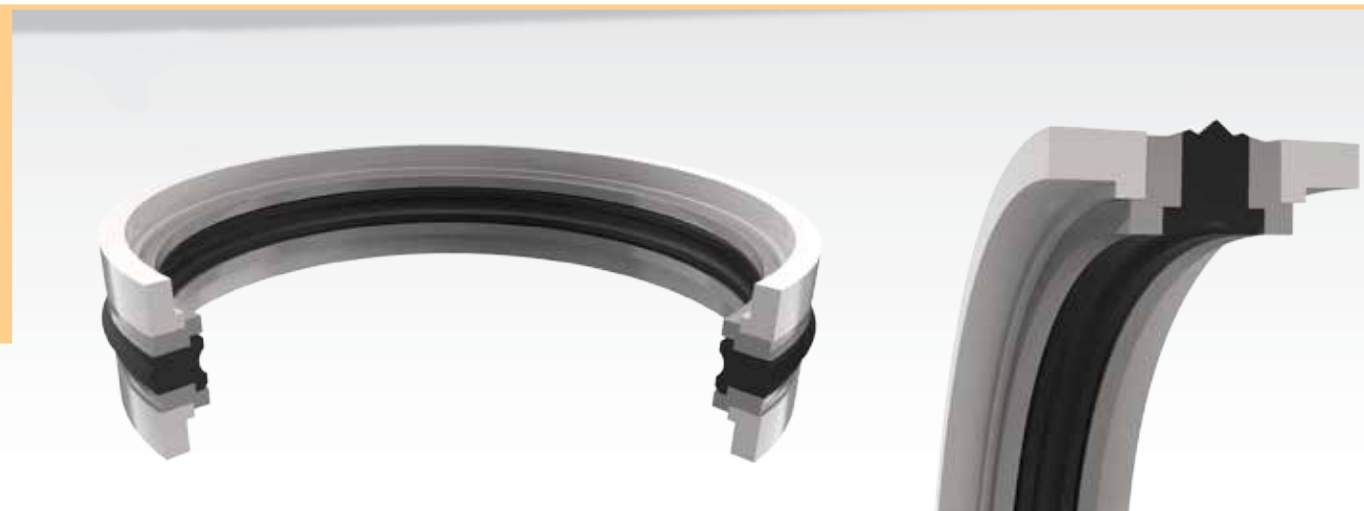
APPLICATION

- Not suitable for cylinders that are expected to hold position.
- Medium to heavy duty double acting seal.
- Popularly used in earthmoving equipment.

FLUIDS

- Hydraulic fluids, petroleum fuels and oils

DAS



TECHNICAL SPECIFICATIONS

SPECIFIED TOLERANCES		
ØD	Ød	L1
Js11	h9	+0.2 (+ 0.008) +0.4 (+ 0.016)

MAXIMUM OPERATING CONDITIONS		
Temp °C	Pressure	Speed
- 30° to + 100° C	400 bar (6000 psi)	0.5 m/sec (1.5 ft/sec)

SURFACE FINISH	
DYNAMIC SEALING SURFACE	0.1 to 0.4 µm Ra
STATIC SEALING SURFACE	0.8 to 1.6 µm Ra
STATIC HOUSING FACE	1.4 to 3.2 µm Ra

RADII AND CHAMFER						
S mm	4.00	5.00	7.50	10.00	12.50	15.00
R mm	0.20	0.40	0.80	0.80	1.20	1.60
C mm	3.20	4.00	6.00	8.00	10.00	12.00
S inches	0.125	0.187	0.250	0.312	0.375	0.500
R inches	0.008	0.016	0.032	0.032	0.048	0.062
C inches	0.100	0.150	0.200	0.250	0.300	0.400

DESIGN

- Double acting piston seal designed for heavy duty applications.
- Suited for one piece pistons.
- Nitrile rubber sealing element with polyester anti-extrusion rings.
- Integration thermoplastic wear rings.

MATERIAL

- 70A - Nitrile Rubber Main sealing element.
- Thermoplastic anti-extrusion rings.
- Polyacetal wear rings.

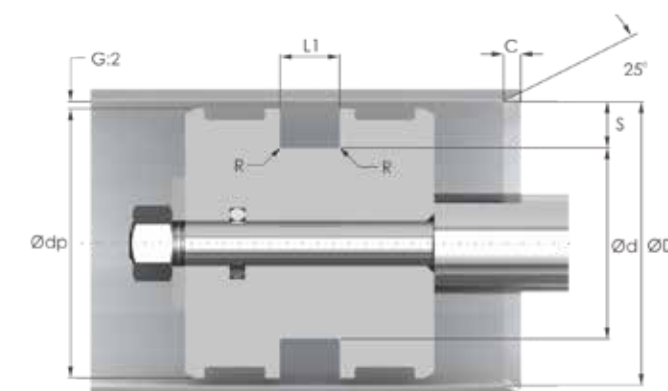
APPLICATION

- Heavy duty applications .
- Used in conjunction with wear rings in the gland.
- Used in mining applications.

FLUIDS

- Mineral based hydraulic fluids, oils, fuels and water in oil emulsions.

DPG



TECHNICAL SPECIFICATIONS

SPECIFIED TOLERANCES		
ØD	Ød	L1
Js11	h9	+0.2 (+ 0.008) +0.4 (+ 0.016)

MAXIMUM OPERATING CONDITIONS		
Temp °C	Pressure	Speed
- 30° to + 100° C	400bar (4500 psi)	0.5 m/sec (12.0 ft/sec)

SURFACE FINISH	
DYNAMIC SEALING SURFACE	0.1 to 0.4 µm Ra
STATIC SEALING SURFACE	0.8 to 1.6 µm Ra
STATIC HOUSING FACE	1.4 to 3.2 µm Ra

MAXIMUM EXTRUSION GAP v PRESSURE			
G mm	Bar	G inches	p.s.i
0.50	50	0.020	750
0.40	100	0.016	1500
0.30	150	0.012	2250
0.15	200	0.006	3000
0.10	300	0.004	4500
0.05	400	0.002	6000

RADII AND CHAMFER						
S mm	4.00	5.00	7.50	10.00	12.50	15.00
R mm	0.20	0.40	0.80	0.80	1.20	1.60
C mm	3.20	4.00	6.00	8.00	10.00	12.00
S inches	0.125	0.187	0.250	0.312	0.375	0.500
R inches	0.008	0.016	0.032	0.032	0.048	0.062
C inches	0.100	0.150	0.200	0.250	0.300	0.400

DESIGN

- Double acting piston seal.
- Suited to one-piece pistons.
- Polyurethane seal face with oring energiser.
- Dual face materials gives pressure capability options.
- Perfect sealing for low and high pressures.

MATERIAL

- Polyurethane face.
- Nitrile Energising ring.

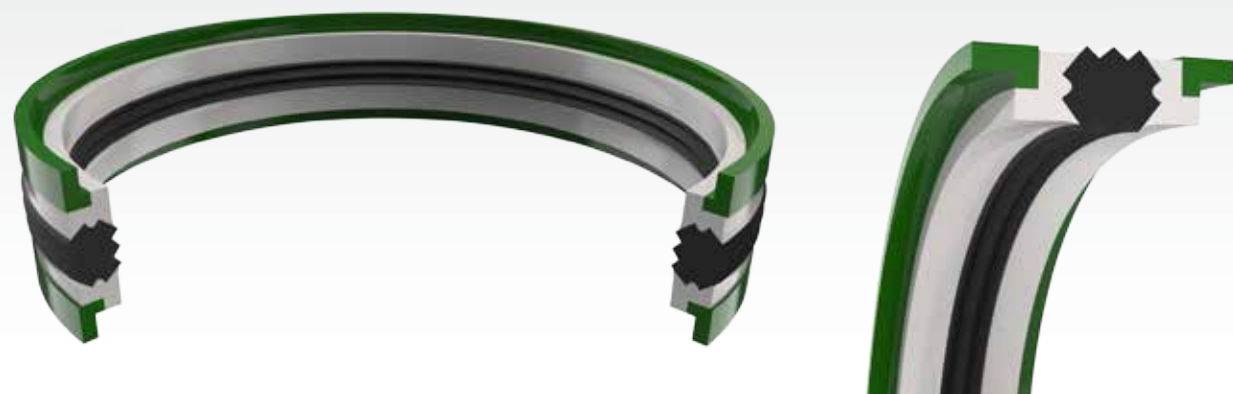
APPLICATION

- Medium to heavy duty double acting seal.
- Popularly used in earthmoving equipment.

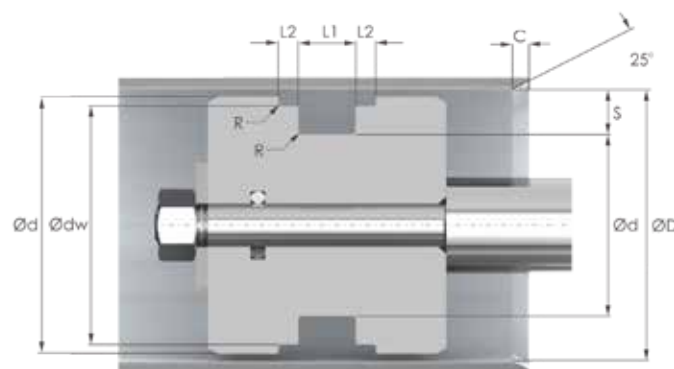
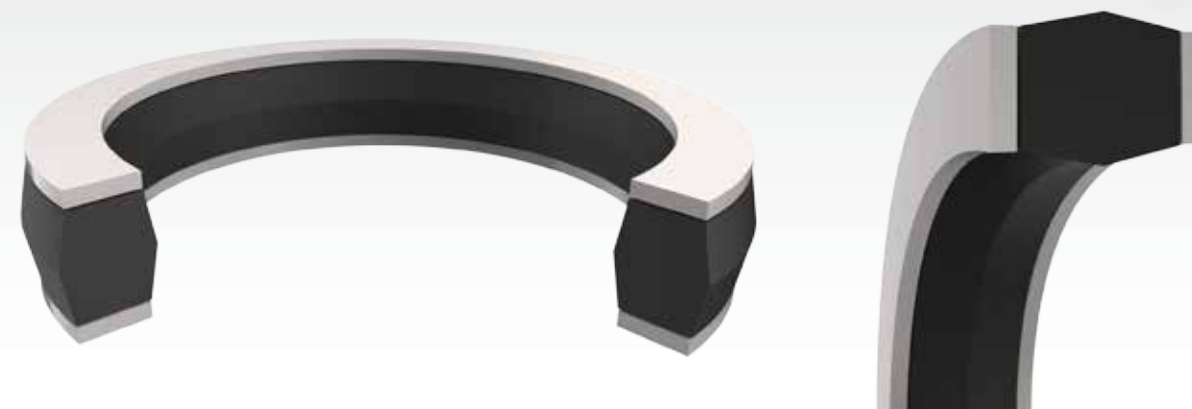
FLUIDS

- Hydraulic fluids, petroleum fuels and oils

DHD



JDA



TECHNICAL SPECIFICATIONS

SPECIFIED TOLERANCES		
ØD	Ød	L1
Js11	h9	+0.2 (+ 0.008) +0.4 (+ 0.016)

MAXIMUM OPERATING CONDITIONS		
Temp °C	Pressure	Speed
- 30° to + 100° C	700 bar (10000 psi)	0.5 m/sec (1.5 ft/sec)

SURFACE FINISH	
DYNAMIC SEALING SURFACE	0.1 to 0.4 µm Ra
STATIC SEALING SURFACE	0.8 to 1.6 µm Ra
STATIC HOUSING FACE	1.4 to 3.2 µm Ra

RADII AND CHAMFER						
S mm	4.00	5.00	7.50	10.00	12.50	15.00
R mm	0.20	0.40	0.80	0.80	1.20	1.60
C mm	3.20	4.00	6.00	8.00	10.00	12.00
S inches	0.125	0.187	0.250	0.312	0.375	0.500
R inches	0.008	0.016	0.032	0.032	0.048	0.062
C inches	0.100	0.150	0.200	0.250	0.300	0.400

DESIGN

- Double acting piston seal with acetal L-shaped wear rings.
- Nitrile rubber seal.
- Suited for solid pistons.
- Heavy duty rubber seal with activated bearing rings.

MATERIAL

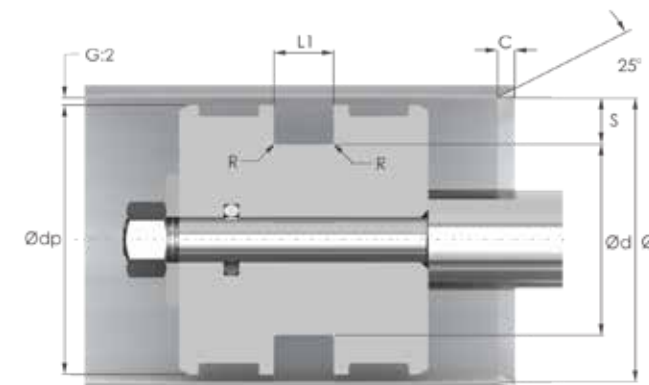
- Nitrile rubber seal face.
- Polyacetal wear rings.
- Hytrel backups.

APPLICATION

- Light to medium duty double acting seal.
- Typically used in agricultural equipment.

FLUIDS

- Mineral based oils, fluids, fuels and water in oil emulsions.



TECHNICAL SPECIFICATIONS

SPECIFIED TOLERANCES		
ØD	Ød	L1
Js11	h9	+0.2 (+ 0.008) +0.4 (+ 0.016)

MAXIMUM OPERATING CONDITIONS		
Temp °C	Pressure	Speed
- 30° to + 100° C	300 bar (4500 psi)	0.5 m/sec (1.5 ft/sec)

SURFACE FINISH	
DYNAMIC SEALING SURFACE	0.1 to 0.4 µm Ra
STATIC SEALING SURFACE	0.8 to 1.6 µm Ra
STATIC HOUSING FACE	1.4 to 3.2 µm Ra

MAXIMUM EXTRUSION GAP v PRESSURE			
G mm	Bar	G inches	p.s.i
0.50	50	0.020	750
0.40	100	0.016	1500
0.30	150	0.012	2250
0.15	200	0.006	3000
0.10	300	0.004	4500
0.05	400	0.002	6000

RADII AND CHAMFER						
S mm	4.00	5.00	7.50	10.00	12.50	15.00
R mm	0.20	0.40	0.80	0.80	1.20	1.60
C mm	3.20	4.00	6.00	8.00	10.00	12.00
S inches	0.125	0.187	0.250	0.312	0.375	0.500
R inches	0.008	0.016	0.032	0.032	0.048	0.062
C inches	0.100	0.150	0.200	0.250	0.300	0.400

DESIGN

- Double acting piston seal.
- Suited for solid pistons.
- Heavy duty rubber element with TPE backups.
- Multiple material options exist.

MATERIAL

- Nitrile rubber element.
- TP117 anti-extrusion rings.

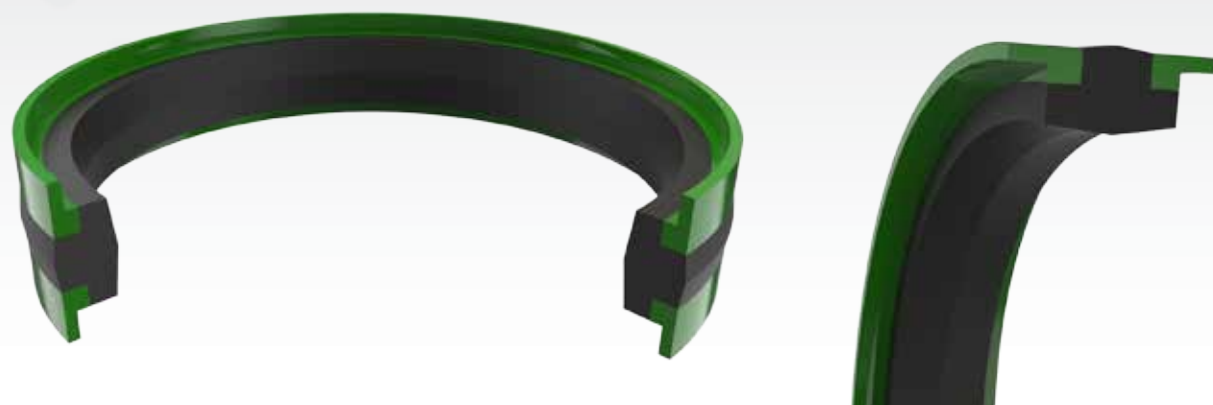
APPLICATION

- Light to medium duty double acting seal.
- Typically used in agricultural equipment.

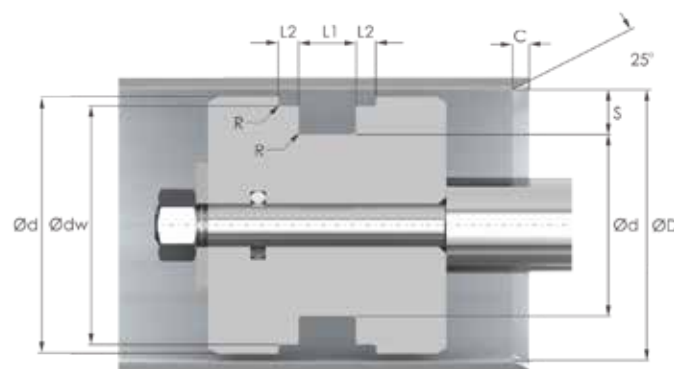
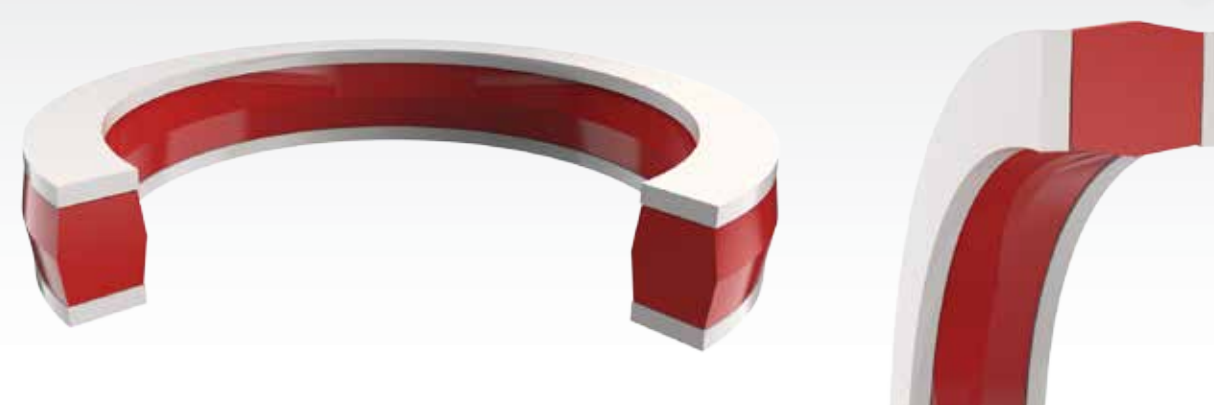
FLUIDS

- Mineral based oils, fluids, fuels and water in oil emulsions.

DSP



LDA



TECHNICAL SPECIFICATIONS

SPECIFIED TOLERANCES		
ØD	Ød	L1
Js11	h9	+0.2 (+ 0.008) +0.4 (+ 0.016)

MAXIMUM OPERATING CONDITIONS		
Temp °C	Pressure	Speed
- 30° to + 100° C	200 bar (6000 psi)	0.5 m/sec (1.5 ft/sec)

SURFACE FINISH	
DYNAMIC SEALING SURFACE	0.1 to 0.4 µm Ra
STATIC SEALING SURFACE	0.8 to 1.6 µm Ra
STATIC HOUSING FACE	1.4 to 3.2 µm Ra

RADII AND CHAMFER						
S mm	4.00	5.00	7.50	10.00	12.50	15.00
R mm	0.20	0.40	0.80	0.80	1.20	1.60
C mm	3.20	4.00	6.00	8.00	10.00	12.00
S inches	0.125	0.187	0.250	0.312	0.375	0.500
R inches	0.008	0.016	0.032	0.032	0.048	0.062
C inches	0.100	0.150	0.200	0.250	0.300	0.400

DESIGN

- One piece double acting piston seal with acetal L shaped wear rings.
- Nitrile rubber seal.
- Suited for solid pistons.
- Heavy duty rubber seal with activated bearing rings.

MATERIAL

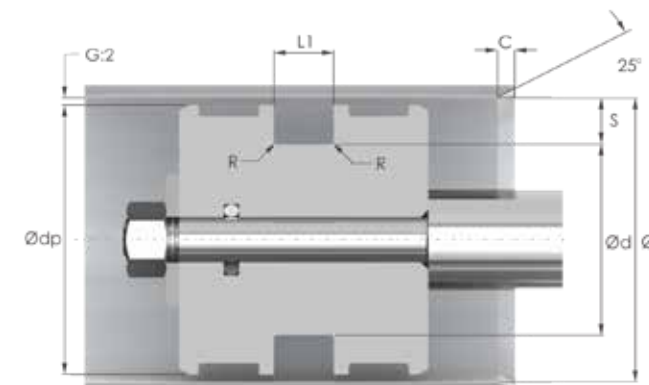
- Nitrile Rubber main sealing element.
- Polyacetal wear rings.

APPLICATION

- Light to medium duty rubber seal with activated bearing rings.

FLUIDS

- Hydraulic fluids, petroleum fuels and oils



TECHNICAL SPECIFICATIONS

SPECIFIED TOLERANCES		
ØD	Ød	L1
Js11	h9	+0.2 (+ 0.008) +0.4 (+ 0.016)

MAXIMUM OPERATING CONDITIONS		
Temp °C	Pressure	Speed
- 30° to + 100° C	700 bar (10000 psi)	0.5 m/sec (1.5 ft/sec)

SURFACE FINISH	
DYNAMIC SEALING SURFACE	0.1 to 0.4 µm Ra
STATIC SEALING SURFACE	0.8 to 1.6 µm Ra
STATIC HOUSING FACE	1.4 to 3.2 µm Ra

MAXIMUM EXTRUSION GAP v PRESSURE			
G mm	Bar	G inches	p.s.i
0.50	50	0.020	750
0.40	100	0.016	1500
0.30	150	0.012	2250
0.15	200	0.006	3000
0.10	300	0.004	4500
0.05	400	0.002	6000

RADII AND CHAMFER						
S mm	4.00	5.00	7.50	10.00	12.50	15.00
R mm	0.20	0.40	0.80	0.80	1.20	1.60
C mm	3.20	4.00	6.00	8.00	10.00	12.00
S inches	0.125	0.187	0.250	0.312	0.375	0.500
R inches	0.008	0.016	0.032	0.032	0.048	0.062
C inches	0.100	0.150	0.200	0.250	0.300	0.400

DESIGN

- Double acting piston seal.
- Suited for split pistons and compact groove dimensions.
- Heavy duty polyurethane sealing element with acetal backup rings.
- Fits the same groove as the NDA series seal.
- Wear resistant polyurethane sealing element.

MATERIAL

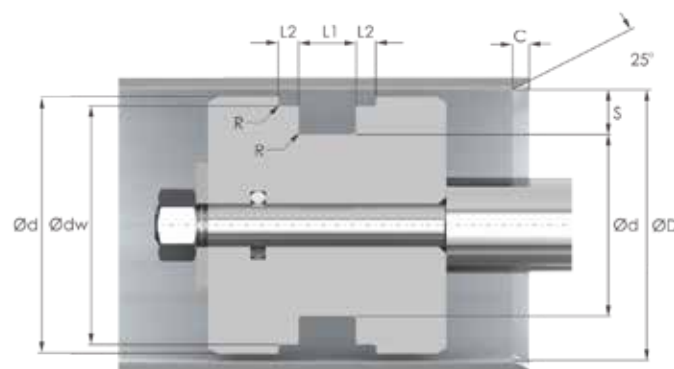
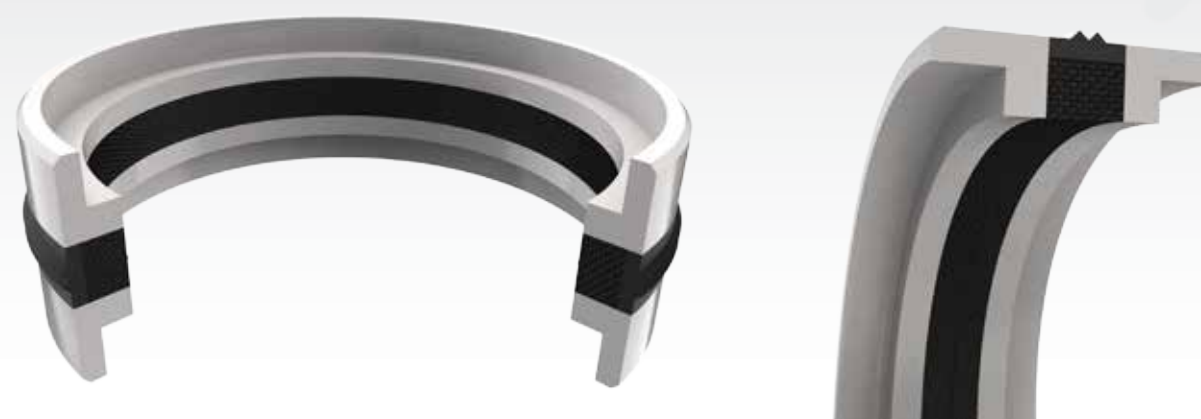
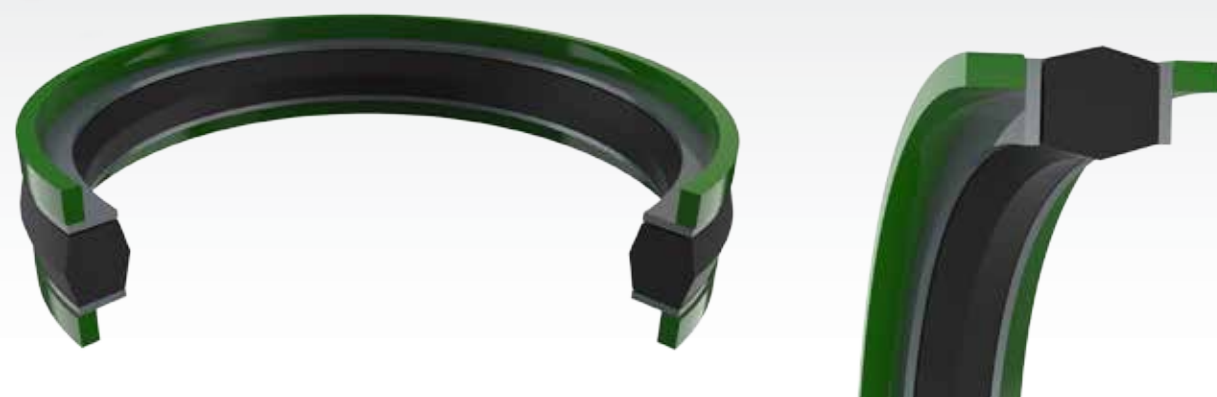
- PU 1250 polyurethane.
- Acetal backup rings.

APPLICATION

- Heavy duty double acting seal.

FLUIDS

- Hydraulic fluids, petroleum fuels and oils



TECHNICAL SPECIFICATIONS

SPECIFIED TOLERANCES		
ØD	Ød	L1
Js11	h9	+0.2 (+ 0.008) +0.4 (+ 0.016)

MAXIMUM OPERATING CONDITIONS		
Temp °C	Pressure	Speed
- 30° to + 100° C	235 bar (3500 psi)	0.5 m/sec (12.5 ft/sec)

SURFACE FINISH	
DYNAMIC SEALING SURFACE	0.1 to 0.4 µm Ra
STATIC SEALING SURFACE	0.8 to 1.6 µm Ra
STATIC HOUSING FACE	1.4 to 3.2 µm Ra

RADII AND CHAMFER						
S mm	4.00	5.00	7.50	10.00	12.50	15.00
R mm	0.20	0.40	0.80	0.80	1.20	1.60
C mm	3.20	4.00	6.00	8.00	10.00	12.00
S inches	0.125	0.187	0.250	0.312	0.375	0.500
R inches	0.008	0.016	0.032	0.032	0.048	0.062
C inches	0.100	0.150	0.200	0.250	0.300	0.400

DESIGN

- Double acting piston seal.
- Suited for solid pistons.
- Heavy duty rubber element with TPE backups.
- Multiple material options exist.

MATERIAL

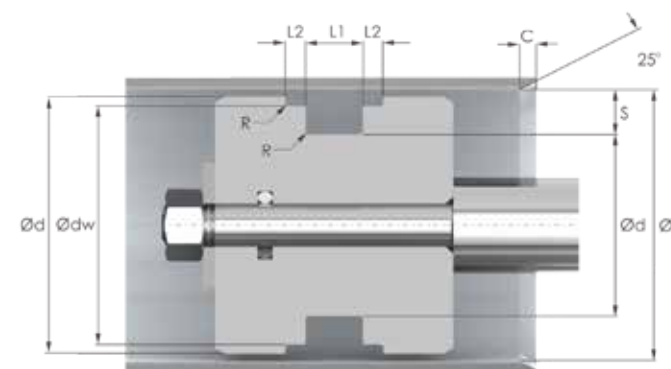
- Nitrile rubber element.
- TP117 anti-extrusion rings.
- Acetal wear rings.

APPLICATION

- Light to medium duty double acting seal.
- Typically used in agricultural equipment.

FLUIDS

- Mineral based oils, fluids, fuels and water in oil emulsions.



TECHNICAL SPECIFICATIONS

SPECIFIED TOLERANCES		
ØD	Ød	L1
Js11	h9	+0.2 (+ 0.008) +0.4 (+ 0.016)

MAXIMUM OPERATING CONDITIONS		
Temp °C	Pressure	Speed
- 30° to + 100° C	400 bar (6000 psi)	0.5 m/sec (1.5 ft/sec)

SURFACE FINISH	
DYNAMIC SEALING SURFACE	0.1 to 0.4 µm Ra
STATIC SEALING SURFACE	0.8 to 1.6 µm Ra
STATIC HOUSING FACE	1.4 to 3.2 µm Ra

RADII AND CHAMFER						
S mm	4.00	5.00	7.50	10.00	12.50	15.00
R mm	0.20	0.40	0.80	0.80	1.20	1.60
C mm	3.20	4.00	6.00	8.00	10.00	12.00
S inches	0.125	0.187	0.250	0.312	0.375	0.500
R inches	0.008	0.016	0.032	0.032	0.048	0.062
C inches	0.100	0.150	0.200	0.250	0.300	0.400

DESIGN

- Double acting piston seal with acetal L-shaped wear rings.
- Rubber fabric seal face bonded to rubber energiser.
- Suited for solid pistons.
- Light to medium duty rubber seal with activated bearing rings.
- Improved abrasion resistance.

MATERIAL

- Nitrile rubber fabric bonded to rubber energiser.
- Polyacetal wear rings.

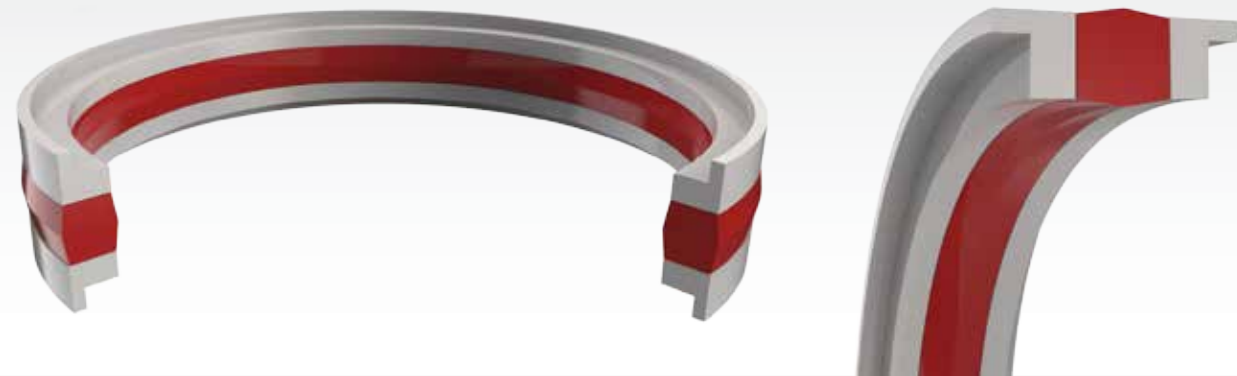
APPLICATION

- Medium to Heavy duty double acting seal.

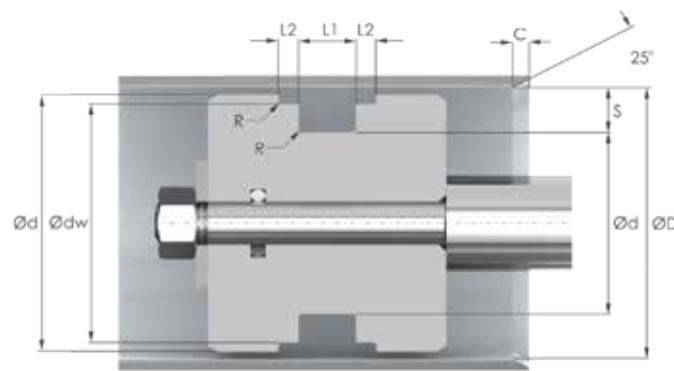
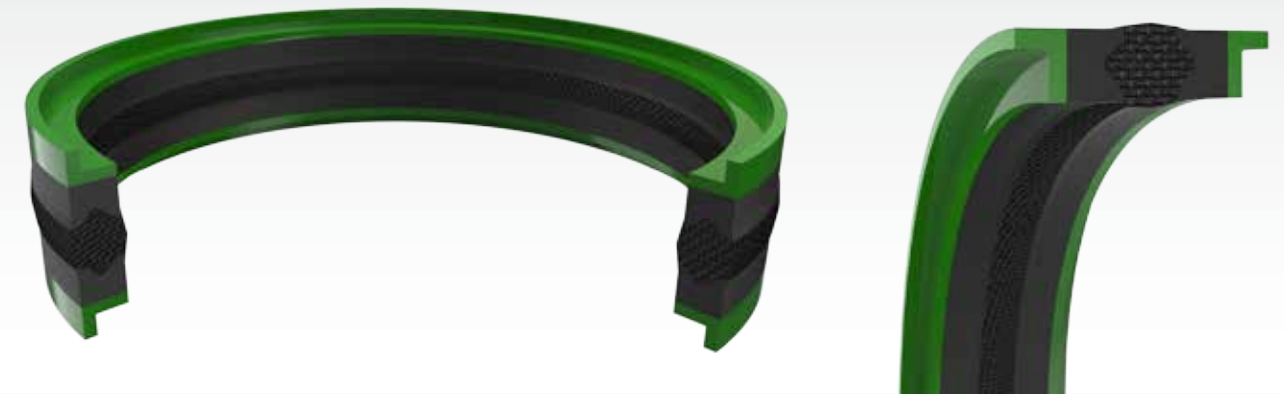
FLUIDS

- Hydraulic fluids, petroleum fuels and oils

LWR



NWR



TECHNICAL SPECIFICATIONS

SPECIFIED TOLERANCES		
ØD	Ød	L1
Js11	h9	+0.2 (+ 0.008) +0.4 (+ 0.016)

MAXIMUM OPERATING CONDITIONS		
Temp °C	Pressure	Speed
- 30° to + 100° C	700 bar (10000 psi)	0.5 m/sec (1.5 ft/sec)

SURFACE FINISH	
DYNAMIC SEALING SURFACE	0.1 to 0.4 µm Ra
STATIC SEALING SURFACE	0.8 to 1.6 µm Ra
STATIC HOUSING FACE	1.4 to 3.2 µm Ra

RADII AND CHAMFER						
S mm	4.00	5.00	7.50	10.00	12.50	15.00
R mm	0.20	0.40	0.80	0.80	1.20	1.60
C mm	3.20	4.00	6.00	8.00	10.00	12.00
S inches	0.125	0.187	0.250	0.312	0.375	0.500
R inches	0.008	0.016	0.032	0.032	0.048	0.062
C inches	0.100	0.150	0.200	0.250	0.300	0.400

DESIGN

- Double acting piston seal.
- Suited for split pistons.
- Heavy duty polyurethane sealing element with acetal backup rings.
- Fits the same groove as the NWR series seal.
- Wear resistant polyurethane sealing element.

MATERIAL

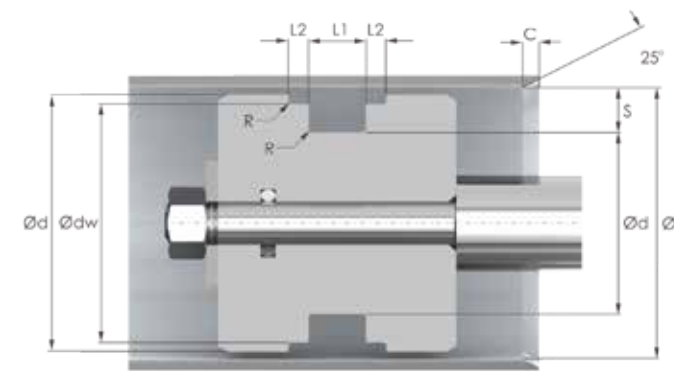
- PU 1250 polyurethane.
- Acetal backup rings.

APPLICATION

- Heavy duty double acting seal.

FLUIDS

- Hydraulic fluids, petroleum fuels and oils



TECHNICAL SPECIFICATIONS

SPECIFIED TOLERANCES		
ØD	Ød	L1
Js11	h9	+0.2 (+ 0.008) +0.4 (+ 0.016)

MAXIMUM OPERATING CONDITIONS		
Temp °C	Pressure	Speed
- 30° to + 100° C	700 bar (10,000 psi)	0.5 m/sec (1.5 ft/sec)

SURFACE FINISH	
DYNAMIC SEALING SURFACE	0.1 to 0.4 µm Ra
STATIC SEALING SURFACE	0.8 to 1.6 µm Ra
STATIC HOUSING FACE	1.4 to 3.2 µm Ra

RADII AND CHAMFER						
S mm	4.00	5.00	7.50	10.00	12.50	15.00
R mm	0.20	0.40	0.80	0.80	1.20	1.60
C mm	3.20	4.00	6.00	8.00	10.00	12.00
S inches	0.125	0.187	0.250	0.312	0.375	0.500
R inches	0.008	0.016	0.032	0.032	0.048	0.062
C inches	0.100	0.150	0.200	0.250	0.300	0.400

DESIGN

- Double acting piston seal.
- Suited for split pistons.
- Heavy duty rubber fabric reinforced element.
- Fits the same groove as the LWR series.

MATERIAL

- Fabric reinforced nitrile rubber.
- Acetal L-shaped wear rings.

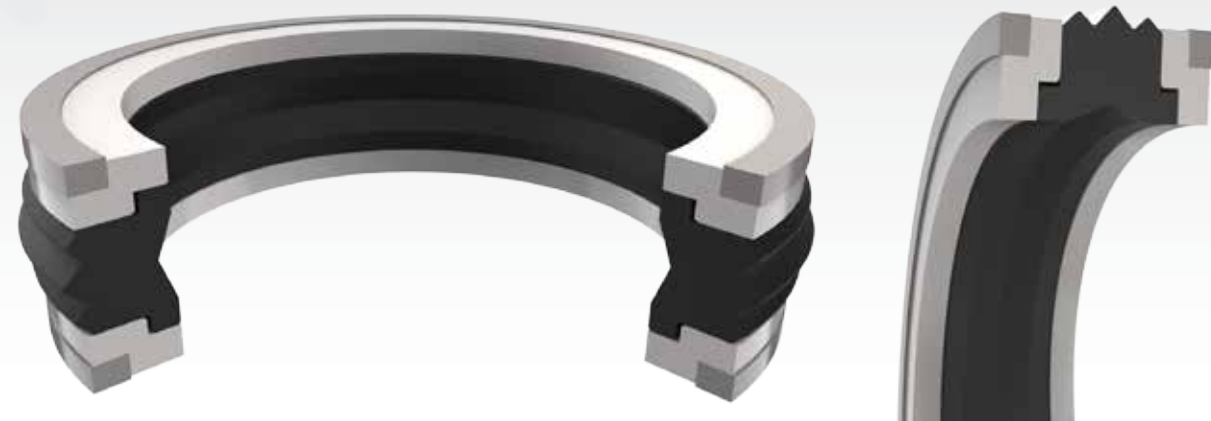
APPLICATION

- Heavy duty double acting seal.
- Excellent for the most extreme environments.
- Excellent load holding capabilities.

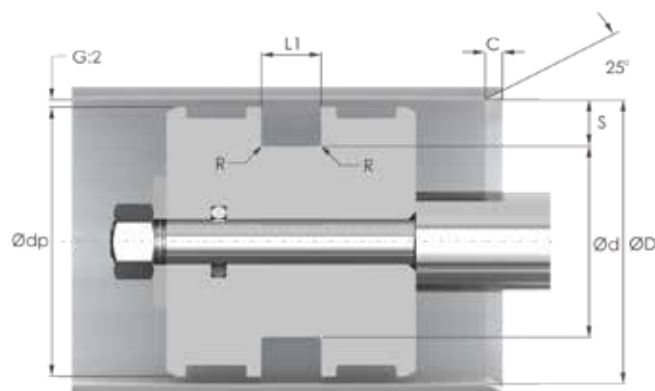
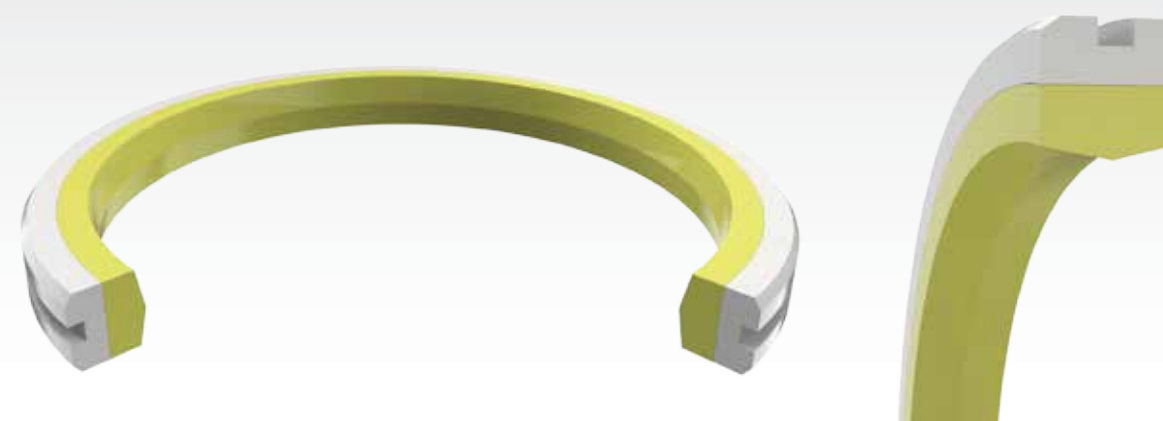
FLUIDS

- Mineral based oils, fluids, fuels and water in oil emulsions.

MHM



RDA



TECHNICAL SPECIFICATIONS

SPECIFIED TOLERANCES		
ØD	Ød	L1
Js11	h9	+0.2 (+ 0.008) +0.4 (+ 0.016)

MAXIMUM OPERATING CONDITIONS		
Temp °C	Pressure	Speed
- 30° to + 100° C	700 bar (10000 psi)	0.5 m/sec (1.5 ft/sec)

SURFACE FINISH	
DYNAMIC SEALING SURFACE	0.1 to 0.4 µm Ra
STATIC SEALING SURFACE	0.8 to 1.6 µm Ra
STATIC HOUSING FACE	1.4 to 3.2 µm Ra

MAXIMUM EXTRUSION GAP v PRESSURE			
G mm	Bar	G inches	p.s.i
0.50	50	0.020	750
0.40	100	0.016	1500
0.30	150	0.012	2250
0.15	200	0.006	3000
0.10	300	0.004	4500
0.05	400	0.002	6000

RADII AND CHAMFER						
S mm	4.00	5.00	7.50	10.00	12.50	15.00
R mm	0.20	0.40	0.80	0.80	1.20	1.60
C mm	3.20	4.00	6.00	8.00	10.00	12.00
S inches	0.125	0.187	0.250	0.312	0.375	0.500
R inches	0.008	0.016	0.032	0.032	0.048	0.062
C inches	0.100	0.150	0.200	0.250	0.300	0.400

DESIGN

- Double acting piston seal with acetal anti-extrusion rings.
- Rubber sealing element.
- Suited for solid pistons.
- Heavy duty rubber seal with anti-extrusion rings.

MATERIAL

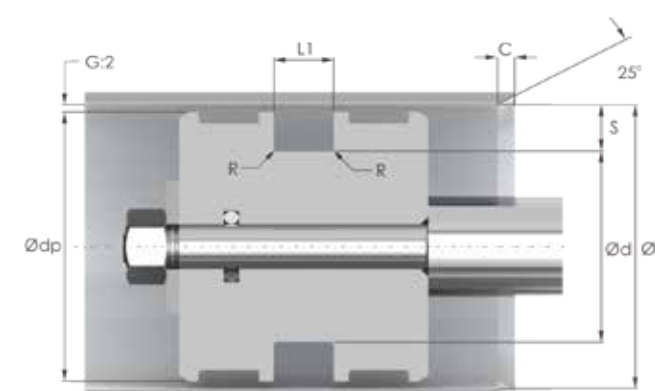
- Nitrile rubber fabric sealing element.
- Hytrel back-ups.
- Polyacetal anti-extrusion rings.

APPLICATION

- Light to medium duty double acting seal.

FLUIDS

- Hydraulic fluids, petroleum fuels and oils



TECHNICAL SPECIFICATIONS

SPECIFIED TOLERANCES		
ØD	Ød	L1
Js11	h9	+0.2 (+ 0.008) +0.4 (+ 0.016)

MAXIMUM OPERATING CONDITIONS		
Temp °C	Pressure	Speed
- 30° to + 100° C	400 bar (6000 psi)	0.5 m/sec (1.5 ft/sec)

SURFACE FINISH	
DYNAMIC SEALING SURFACE	0.1 to 0.4 µm Ra
STATIC SEALING SURFACE	0.8 to 1.6 µm Ra
STATIC HOUSING FACE	1.4 to 3.2 µm Ra

MAXIMUM EXTRUSION GAP v PRESSURE			
G mm	Bar	G inches	p.s.i
0.50	50	0.020	750
0.40	100	0.016	1500
0.30	150	0.012	2250
0.15	200	0.006	3000
0.10	300	0.004	4500
0.05	400	0.002	6000

RADII AND CHAMFER						
S mm	4.00	5.00	7.50	10.00	12.50	15.00
R mm	0.20	0.40	0.80	0.80	1.20	1.60
C mm	3.20	4.00	6.00	8.00	10.00	12.00
S inches	0.125	0.187	0.250	0.312	0.375	0.500
R inches	0.008	0.016	0.032	0.032	0.048	0.062
C inches	0.100	0.150	0.200	0.250	0.300	0.400

DESIGN

- One piece double acting piston seal.
- Suited for solid pistons.
- Heavy duty dual cast polyurethane seal.
- Superior wear resistance as compared to a rubber seal.
- Hard wearing face with softer polyurethane energiser.
- Interchanges with the T-seal.

MATERIAL

- Cast urethane: 60 shore D - polyurethane face & 57 shore A - polyurethane energising inner layer

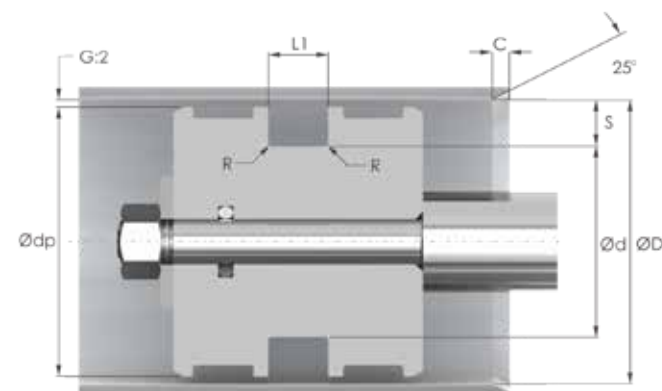
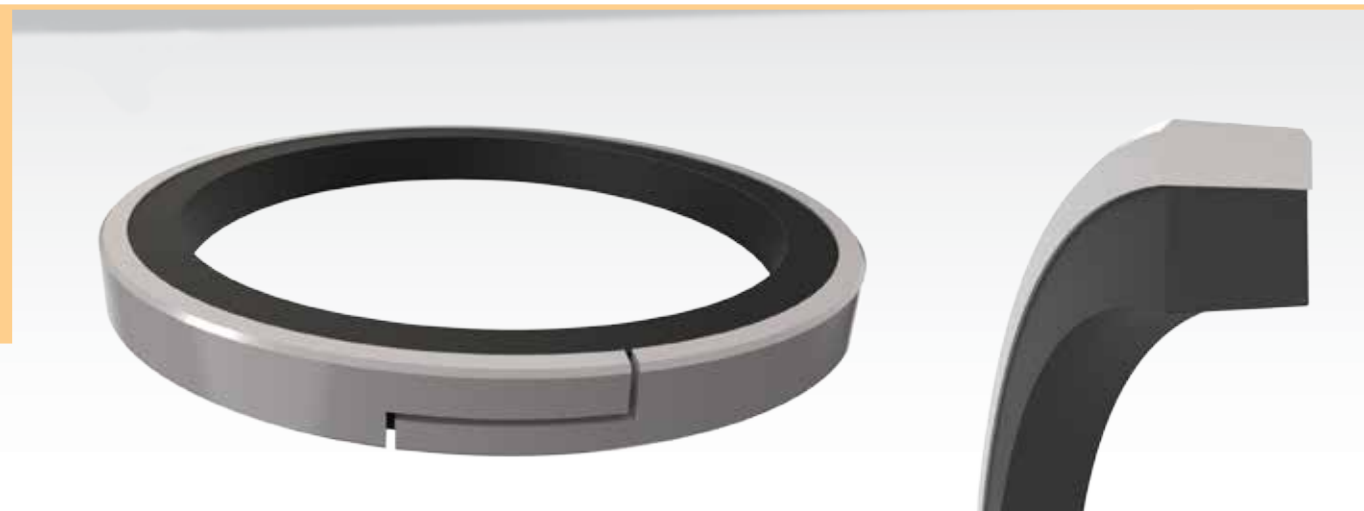
APPLICATION

- Light to medium duty double acting seal.

FLUIDS

- Hydraulic fluids, petroleum fuels and oils

RCC



TECHNICAL SPECIFICATIONS

SPECIFIED TOLERANCES		
ØD	Ød	L1
+0.005	+0.000	+0.005
-0.000	-0.005	-0.000

MAXIMUM OPERATING CONDITIONS		
Temp °C	Pressure	Speed
-30° to +100° C	400 bar (6000 psi)	0.5 m/sec (1.5 ft/sec)

SURFACE FINISH	
DYNAMIC SEALING SURFACE	0.1 to 0.4 µm Ra
STATIC SEALING SURFACE	0.8 to 1.6 µm Ra
STATIC HOUSING FACE	1.4 to 3.2 µm Ra

MAXIMUM EXTRUSION GAP v PRESSURE				
ØD	G mm	Bar	G inches	p.s.i
≤ 5"	0.8	500	0.032	7500
> 5"	1.0	500	0.040	7500

RADII AND CHAMFER						
S mm	4.00	5.00	7.50	10.00	12.50	15.00
R mm	0.20	0.40	0.80	0.80	1.20	1.60
C mm	3.20	4.00	6.00	8.00	10.00	12.00
S inches	0.125	0.187	0.250	0.312	0.375	0.500
R inches	0.008	0.016	0.032	0.032	0.048	0.062
C inches	0.100	0.150	0.200	0.250	0.300	0.400

DESIGN

- Double acting piston seal.
- Suited to one-piece pistons.
- Suited to heavy duty applications.
- Square Nitrile rubber energiser.
- Step-Cut outer cap.

MATERIAL

- Self lubricated glass reinforced heat stabilised Nylon outer ring.
- Square Nitrile Energising ring.

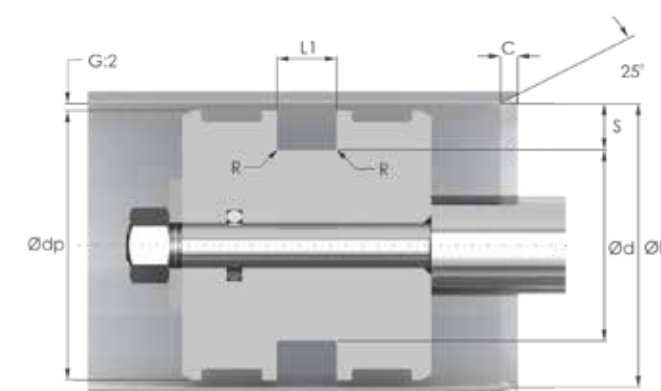
APPLICATION

- Used in extreme and heavy duty applications.
- Excellent for passing over ports.
- Has wide tolerance to Temperature, fluid compatibility and extrusion gap.
- Suitable for Drift Free operation.

FLUIDS

- Hydraulic fluids, petroleum fuels and oils

SDA



TECHNICAL SPECIFICATIONS

SPECIFIED TOLERANCES		
ØD	Ød	L1
Js11	h9	+0.2 (+0.008)
		+0.4 (+0.016)

MAXIMUM OPERATING CONDITIONS		
Temp °C	Pressure	Speed
-30° to +100° C	400 bar (6000 psi)	5.0 m/sec (15.0 ft/sec)

SURFACE FINISH	
DYNAMIC SEALING SURFACE	0.1 to 0.4 µm Ra
STATIC SEALING SURFACE	0.8 to 1.6 µm Ra
STATIC HOUSING FACE	1.4 to 3.2 µm Ra

MAXIMUM EXTRUSION GAP v PRESSURE			
G mm	Bar	G inches	p.s.i
0.50	50	0.020	750
0.40	100	0.016	1500
0.30	150	0.012	2250
0.15	200	0.006	3000
0.10	300	0.004	4500
0.05	400	0.002	6000

RADII AND CHAMFER						
S mm	4.00	5.00	7.50	10.00	12.50	15.00
R mm	0.20	0.40	0.80	0.80	1.20	1.60
C mm	3.20	4.00	6.00	8.00	10.00	12.00
S inches	0.125	0.187	0.250	0.312	0.375	0.500
R inches	0.008	0.016	0.032	0.032	0.048	0.062
C inches	0.100	0.150	0.200	0.250	0.300	0.400

DESIGN

- One piece double acting piston seal.
- Suited for solid pistons.
- Heavy duty polyurethane seal.
- Superior wear resistance compared to a rubber seal.

MATERIAL

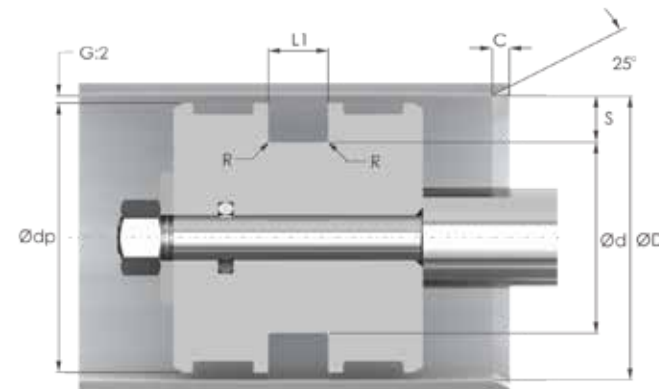
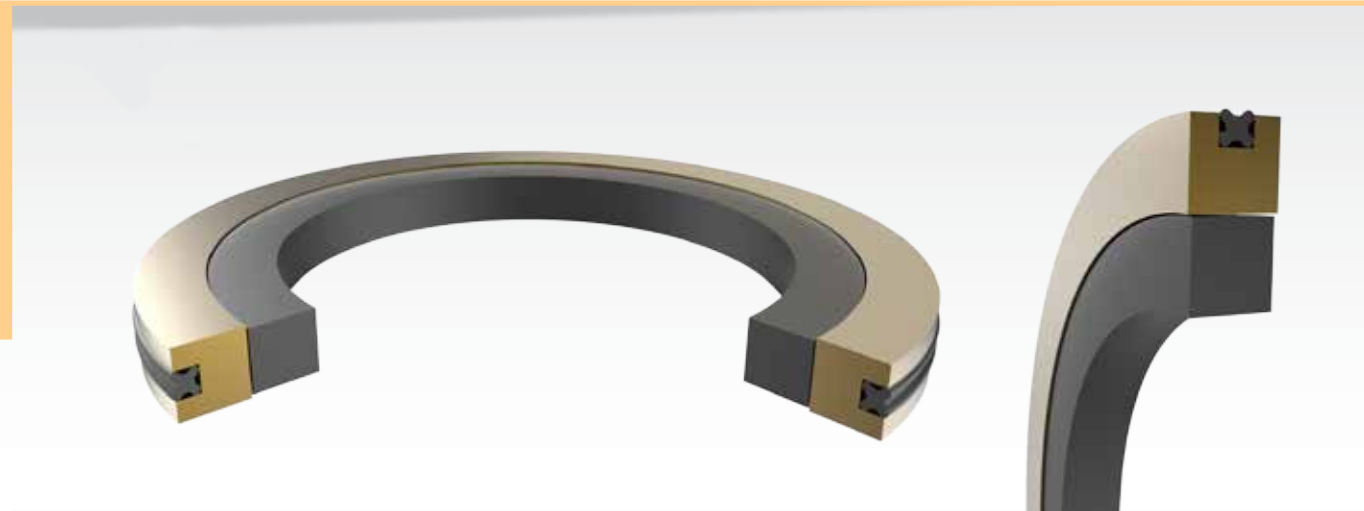
- PU1260 polyurethane.

APPLICATION

- Light to medium duty double acting seal.

FLUIDS

- Mineral based oils, water/glycol and water emulsions.



TECHNICAL SPECIFICATIONS

SPECIFIED TOLERANCES		
ØD	Ød	L1
Js11	h9	+0.2 (+0.008) +0.4 (+0.016)

MAXIMUM OPERATING CONDITIONS		
Temp °C	Pressure	Speed
- 35° to + 105° C	345 bar (5000 psi)	2.0 m/sec (1.5 ft/sec)

SURFACE FINISH	
DYNAMIC SEALING SURFACE	0.1 to 0.4 µm Ra
STATIC SEALING SURFACE	0.8 to 1.6 µm Ra
STATIC HOUSING FACE	1.4 to 3.2 µm Ra

RADII AND CHAMFER						
S mm	4.00	5.00	7.50	10.00	12.50	15.00
R mm	0.20	0.40	0.80	0.80	1.20	1.60
C mm	3.20	4.00	6.00	8.00	10.00	12.00
S inches	0.125	0.187	0.250	0.312	0.375	0.500
R inches	0.008	0.016	0.032	0.032	0.048	0.062
C inches	0.100	0.150	0.200	0.250	0.300	0.400

DESIGN

- Double acting piston seal with exceptional stability and low interference for decreased friction.
- The square cut energiser provides low pressure sealing characteristics and stops backend leakage.
- Seal has abilities to effectively seal against different fluids, making gas/liquid sealing combinations possible.

MATERIAL

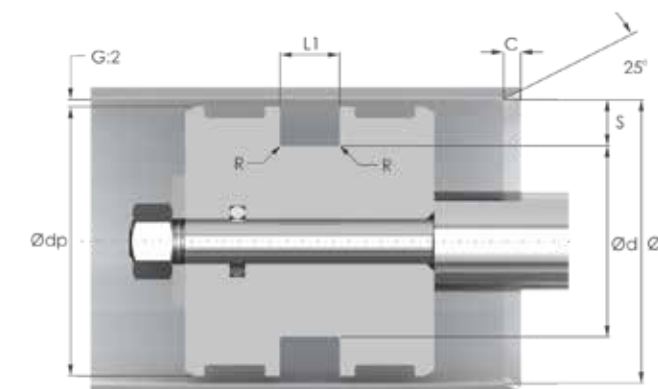
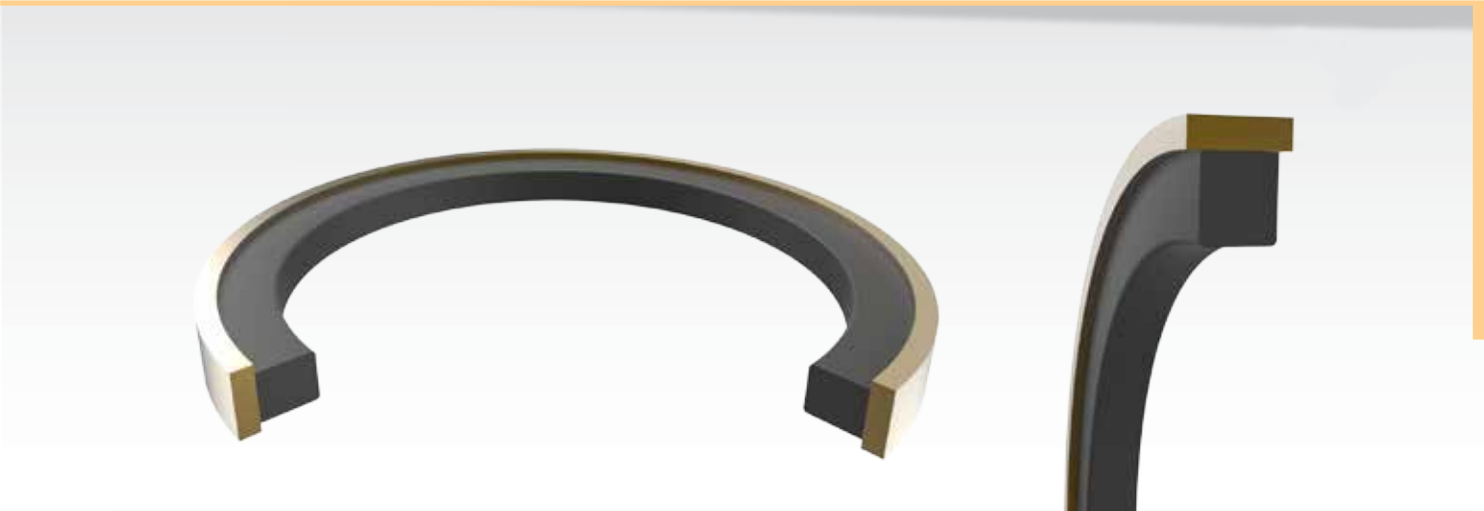
- 40% Bronze filled PTFE main element.
- Square profile 70A Nitrile energiser.
- 70A Nitrile Quad ring.

APPLICATION

- Used in medium duty agricultural and industrial machinery.
- Suitable for one-piece pistons.

FLUIDS

- Hydraulic fluids, petroleum fuels and oils



TECHNICAL SPECIFICATIONS

SPECIFIED TOLERANCES		
ØD	Ød	L1
Js11	h9	+0.2 (+0.008) +0.4 (+0.016)

MAXIMUM OPERATING CONDITIONS		
Temp °C	Pressure	Speed
- 30° to + 100° C	350 bar (5000 psi)	1.5 m/sec (4.5 ft/sec)

SURFACE FINISH	
DYNAMIC SEALING SURFACE	0.1 to 0.4 µm Ra
STATIC SEALING SURFACE	0.8 to 1.6 µm Ra
STATIC HOUSING FACE	1.4 to 3.2 µm Ra

MAXIMUM EXTRUSION GAP v PRESSURE			
G mm	Bar	G inches	p.s.i
0.50	50	0.020	750
0.40	100	0.016	1500
0.30	150	0.012	2250
0.15	200	0.006	3000
0.10	300	0.004	4500
0.05	400	0.002	6000

RADII AND CHAMFER						
S mm	4.00	5.00	7.50	10.00	12.50	15.00
R mm	0.20	0.40	0.80	0.80	1.20	1.60
C mm	3.20	4.00	6.00	8.00	10.00	12.00
S inches	0.125	0.187	0.250	0.312	0.375	0.500
R inches	0.008	0.016	0.032	0.032	0.048	0.062
C inches	0.100	0.150	0.200	0.250	0.300	0.400

DESIGN

- Double acting glide style piston seal.
- Suited for one piece pistons
- PTFE seal face with nitrile energiser.
- Dual face materials give pressure capability options.

MATERIAL

- Filled teflon face.
- Nitrile rubber energiser.

APPLICATION

- Not suitable for a cylinder expected to hold position.
- Excellent for stick slip movement.

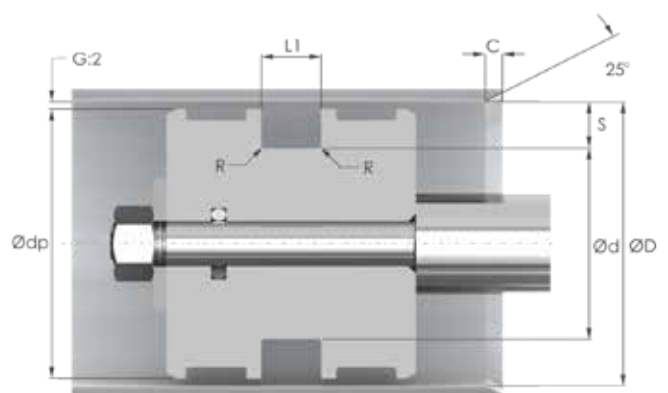
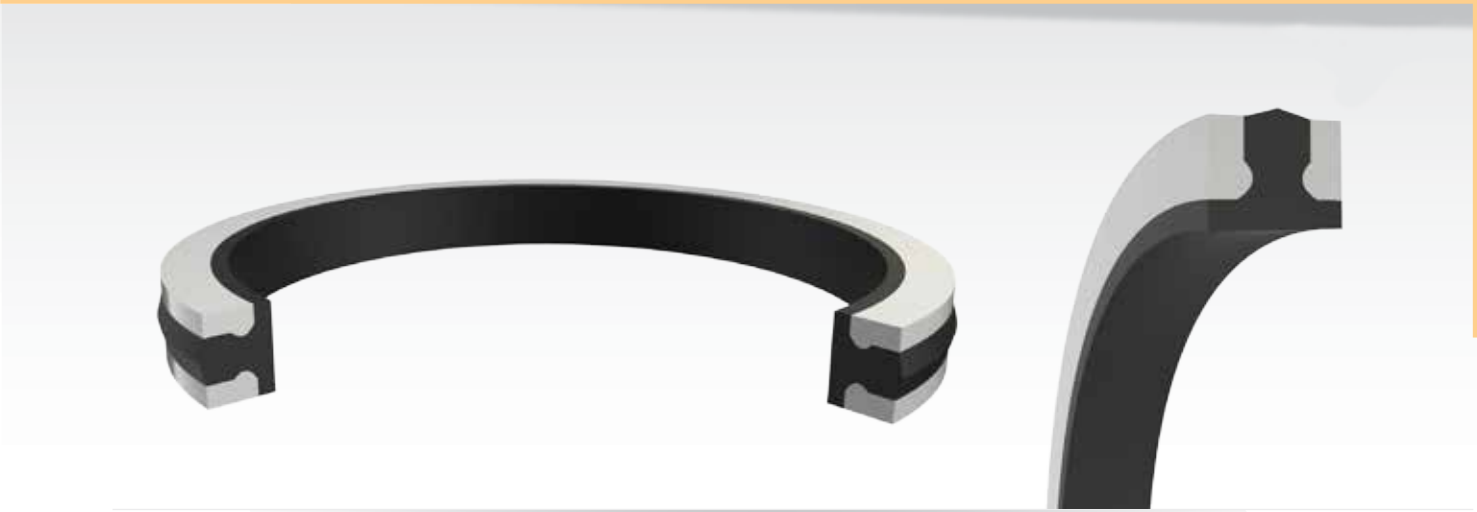
FLUIDS

- Mineral based oils, water/glycol and water emulsions.

SPG



TDA



TECHNICAL SPECIFICATIONS

SPECIFIED TOLERANCES		
ØD	Ød	L1
Js11	h9	+0.2 (+ 0.008) +0.4 (+ 0.016)

MAXIMUM OPERATING CONDITIONS		
Temp °C	Pressure	Speed
- 30° to + 100° C	400 bar (6000 psi)	5.0 m/sec (1.5 ft/sec)

SURFACE FINISH	
DYNAMIC SEALING SURFACE	0.1 to 0.4 µm Ra
STATIC SEALING SURFACE	0.8 to 1.6 µm Ra
STATIC HOUSING FACE	1.4 to 3.2 µm Ra

MAXIMUM EXTRUSION GAP v PRESSURE			
G mm	Bar	G inches	p.s.i
0.50	50	0.020	750
0.40	100	0.016	1500
0.30	150	0.012	2250
0.15	200	0.006	3000
0.10	300	0.004	4500
0.05	400	0.002	6000

RADII AND CHAMFER						
S mm	4.00	5.00	7.50	10.00	12.50	15.00
R mm	0.20	0.40	0.80	0.80	1.20	1.60
C mm	3.20	4.00	6.00	8.00	10.00	12.00
S inches	0.125	0.187	0.250	0.312	0.375	0.500
R inches	0.008	0.016	0.032	0.032	0.048	0.062
C inches	0.100	0.150	0.200	0.250	0.300	0.400

DESIGN

- Double acting glide style piston seal.
- Suited for one piece pistons.
- PTFE seal face with nitrile energiser.
- Dual face materials gives pressure capability options.

MATERIAL

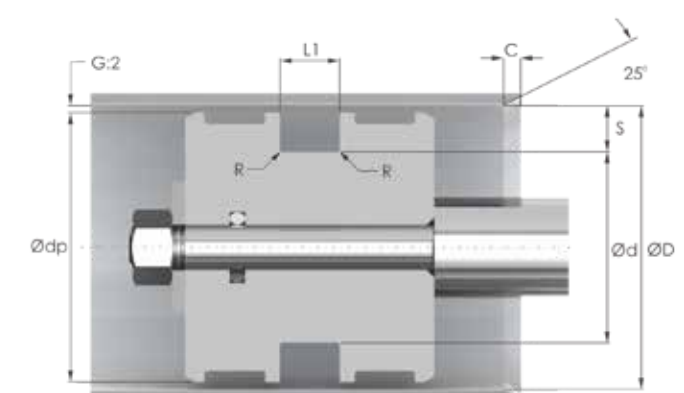
- Filled PTFE face.
- Nitrile rubber o-ring.

APPLICATION

- Not suitable for a cylinder expected to hold position.
- Excellent for stick slip movement.
- Excellent for high speed movement.

FLUIDS

- Mineral based oils, water/glycol and water emulsions.



TECHNICAL SPECIFICATIONS

SPECIFIED TOLERANCES		
ØD	Ød	L1
Js11	h9	+0.2 (+ 0.008) +0.4 (+ 0.016)

MAXIMUM OPERATING CONDITIONS		
Temp °C	Pressure	Speed
- 30° to + 100° C	200 bar (3000 psi)	0.5 m/sec (1.5 ft/sec)

SURFACE FINISH	
DYNAMIC SEALING SURFACE	0.1 to 0.4 µm Ra
STATIC SEALING SURFACE	0.8 to 1.6 µm Ra
STATIC HOUSING FACE	1.4 to 3.2 µm Ra

MAXIMUM EXTRUSION GAP v PRESSURE			
G mm	Bar	G inches	p.s.i
0.50	50	0.020	750
0.40	100	0.016	1500
0.30	150	0.012	2250
0.15	200	0.006	3000
0.10	300	0.004	4500
0.05	400	0.002	6000

RADII AND CHAMFER						
S mm	4.00	5.00	7.50	10.00	12.50	15.00
R mm	0.20	0.40	0.80	0.80	1.20	1.60
C mm	3.20	4.00	6.00	8.00	10.00	12.00
S inches	0.125	0.187	0.250	0.312	0.375	0.500
R inches	0.008	0.016	0.032	0.032	0.048	0.062
C inches	0.100	0.150	0.200	0.250	0.300	0.400

DESIGN

- Double acting piston seal.
- Suited for solid pistons.
- Heavy duty rubber element with teflon or nylon backups.

MATERIAL

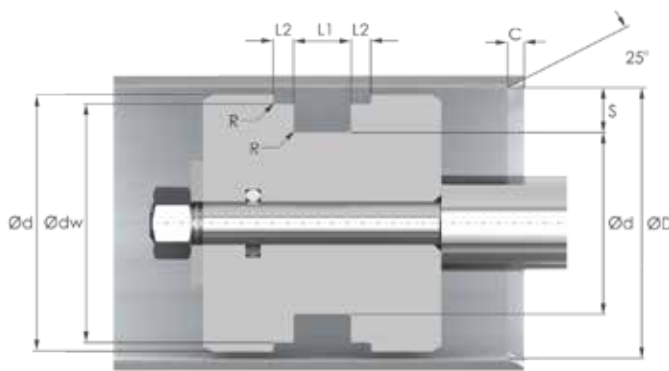
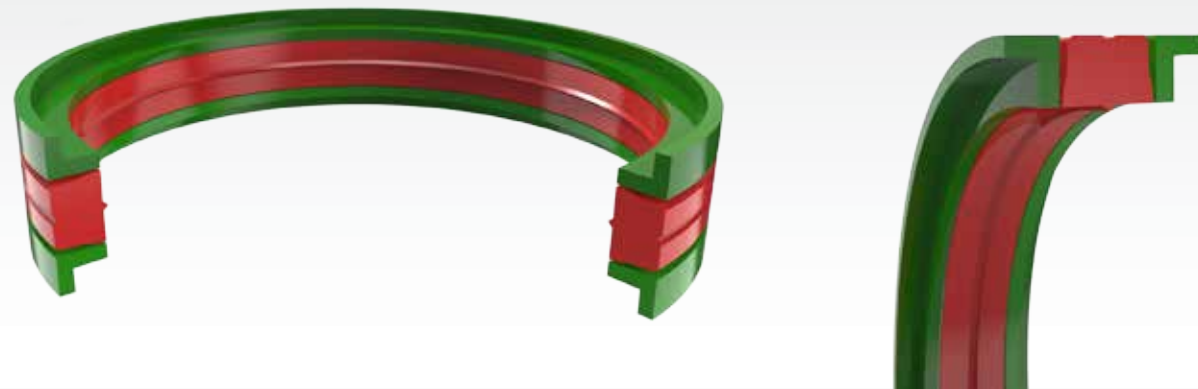
- Nitrile rubber sealing element.
- Reinforced teflon or nylon backups.

APPLICATION

- Light to medium duty double acting seal.

FLUIDS

- Mineral based oils, water/glycol and water emulsions.



TECHNICAL SPECIFICATIONS

SPECIFIED TOLERANCES		
ØD	Ød	L1
Js11	h9	+0.2 (+0.008) +0.4 (+0.016)

MAXIMUM OPERATING CONDITIONS		
Temp °C	Pressure	Speed
- 30° to + 100° C	335 bar (5000 psi)	0.5 m/sec (1.5 ft/sec)

SURFACE FINISH	
DYNAMIC SEALING SURFACE	0.1 to 0.4 µm Ra
STATIC SEALING SURFACE	0.8 to 1.6 µm Ra
STATIC HOUSING FACE	1.4 to 3.2 µm Ra

RADII AND CHAMFER						
S mm	4.00	5.00	7.50	10.00	12.50	15.00
R mm	0.20	0.40	0.80	0.80	1.20	1.60
C mm	3.20	4.00	6.00	8.00	10.00	12.00
S inches	0.125	0.187	0.250	0.312	0.375	0.500
R inches	0.008	0.016	0.032	0.032	0.048	0.062
C inches	0.100	0.150	0.200	0.250	0.300	0.400

DESIGN

- One piece double acting piston seal with acetal L-shaped wear rings.
- Suited for solid pistons.
- Heavy duty polyurethane seal.
- Superior wear resistance compared to a rubber seal.

MATERIAL

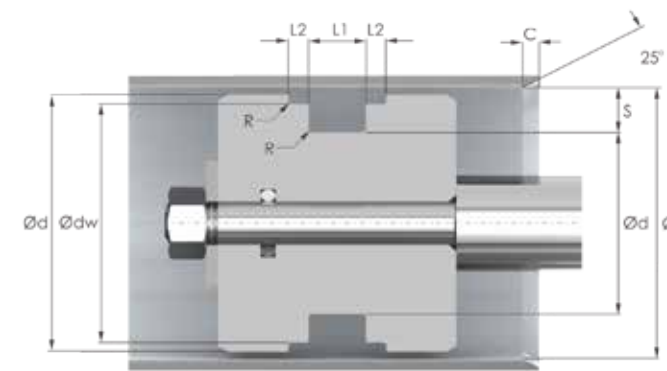
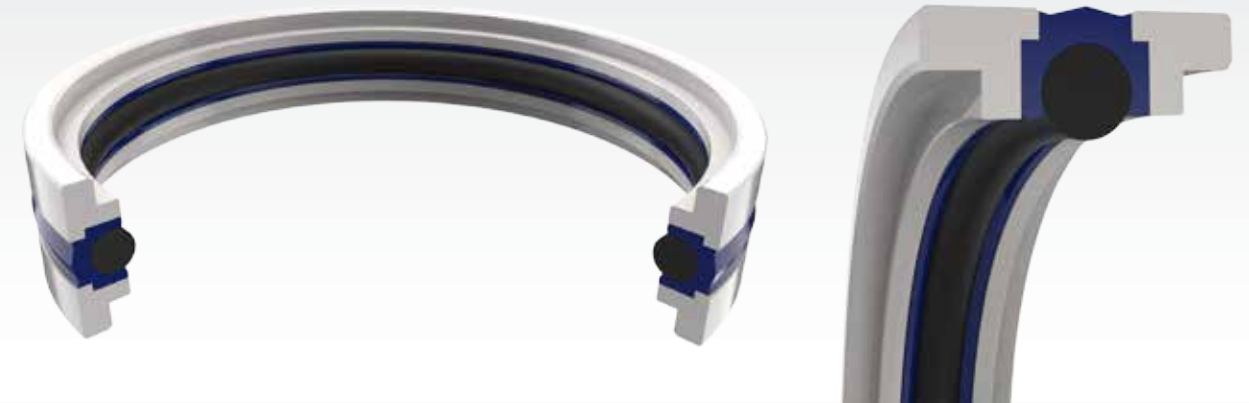
- PU 1260 polyurethane.
- Acetal wear rings.

APPLICATION

- Light to medium duty double acting seal.

FLUIDS

- Mineral based oils, water/glycol and water emulsions.



TECHNICAL SPECIFICATIONS

SPECIFIED TOLERANCES		
ØD	Ød	L1
Js11	h9	+0.2 (+0.008) +0.4 (+0.016)

MAXIMUM OPERATING CONDITIONS		
Temp °C	Pressure	Speed
- 35° to + 105° C	300 bar (4350 psi)	0.5 m/sec (1.5 ft/sec)

SURFACE FINISH	
DYNAMIC SEALING SURFACE	0.1 to 0.4 µm Ra
STATIC SEALING SURFACE	0.8 to 1.6 µm Ra
STATIC HOUSING FACE	1.4 to 3.2 µm Ra

MAXIMUM EXTRUSION GAP v PRESSURE			
G mm	Bar	G inches	p.s.i
0.50	50	0.020	750
0.40	100	0.016	1500
0.30	150	0.012	2250
0.15	200	0.006	3000
0.10	300	0.004	4500
0.05	400	0.002	6000

RADII AND CHAMFER						
S mm	4.00	5.00	7.50	10.00	12.50	15.00
R mm	0.20	0.40	0.80	0.80	1.20	1.60
C mm	3.20	4.00	6.00	8.00	10.00	12.00
S inches	0.125	0.187	0.250	0.312	0.375	0.500
R inches	0.008	0.016	0.032	0.032	0.048	0.062
C inches	0.100	0.150	0.200	0.250	0.300	0.400

DESIGN

- Four piece double acting compact piston seal manufactured with a polyurethane main sealing element, Nitrile energiser and Acetal wear rings.
- Design allows for medium pressure applications.
- No requirement for additional wear rings due to compact design.

MATERIAL

- PU93A Polyurethane main element with low compression set, high modulus of elasticity and excellent resistance to abrasion.
- 70A Nitrile energising oring.
- 70A Nitrile energising oring.
- Acetal Wear Rings to absorb axial loads.

APPLICATION

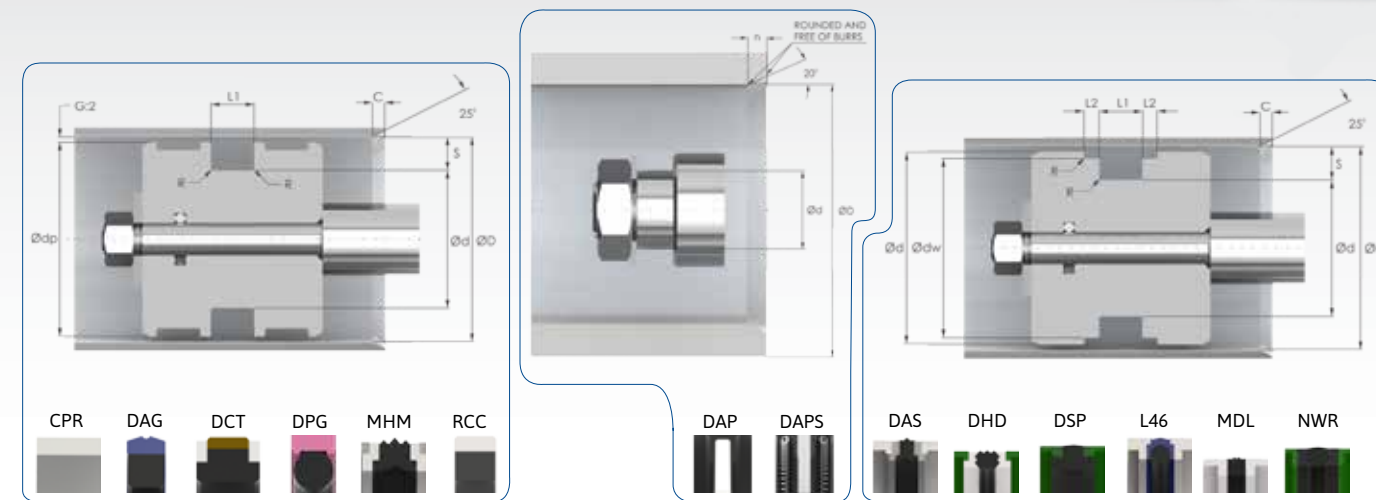
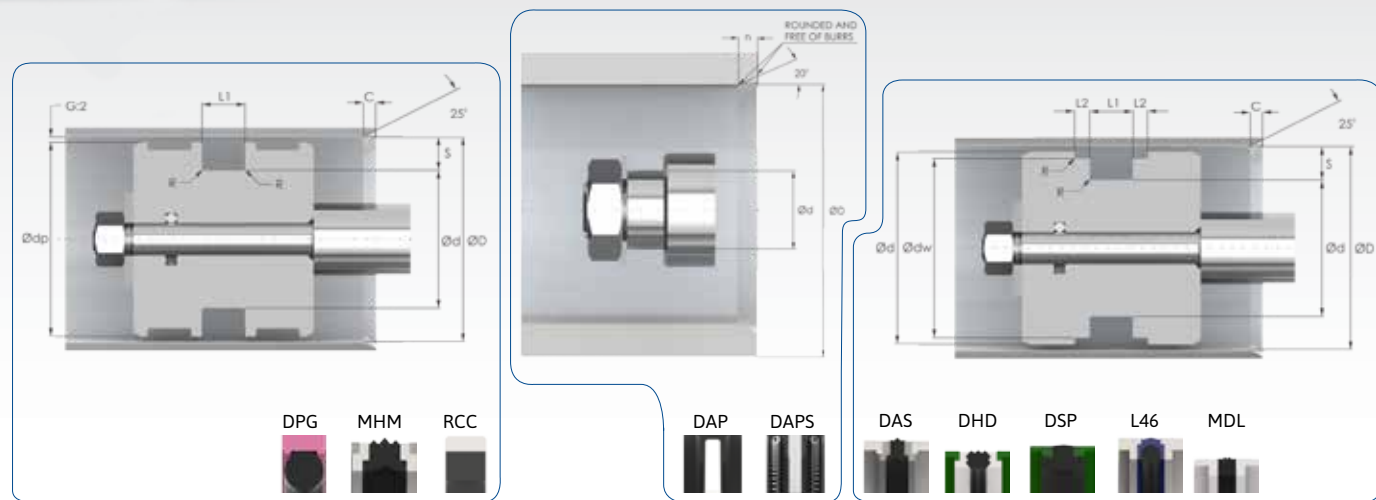
- Used in heavy duty agricultural and industrial machinery.
- Suitable for split and one-piece piston applications.

FLUIDS

- Hydraulic fluids, petroleum fuels and oils

PISTON SEALS DOUBLE ACTING - METRIC

PISTON SEALS DOUBLE ACTING - METRIC

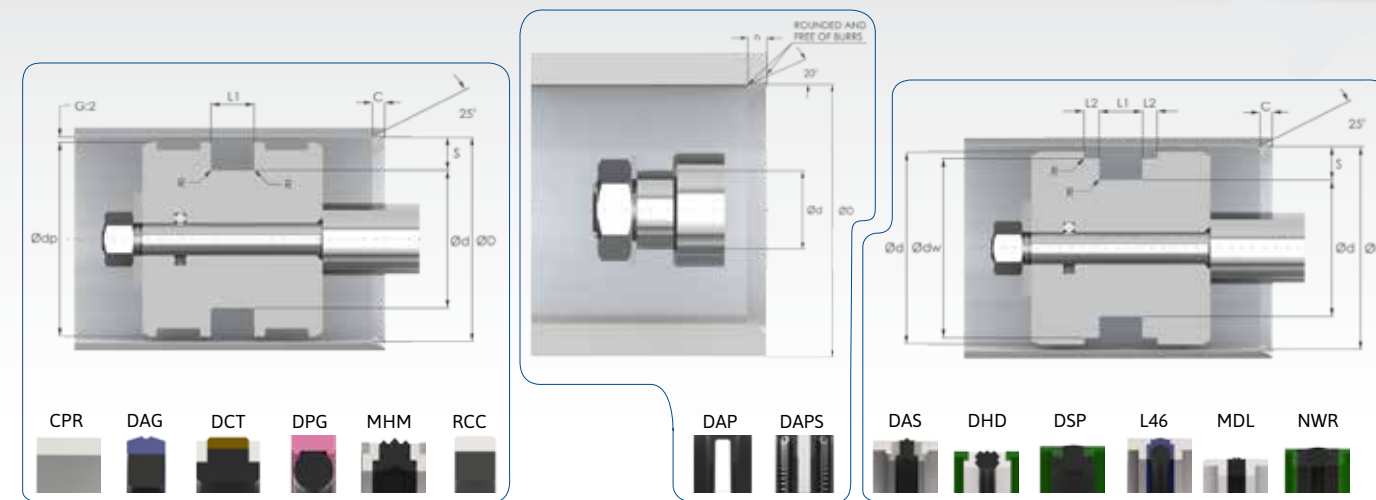
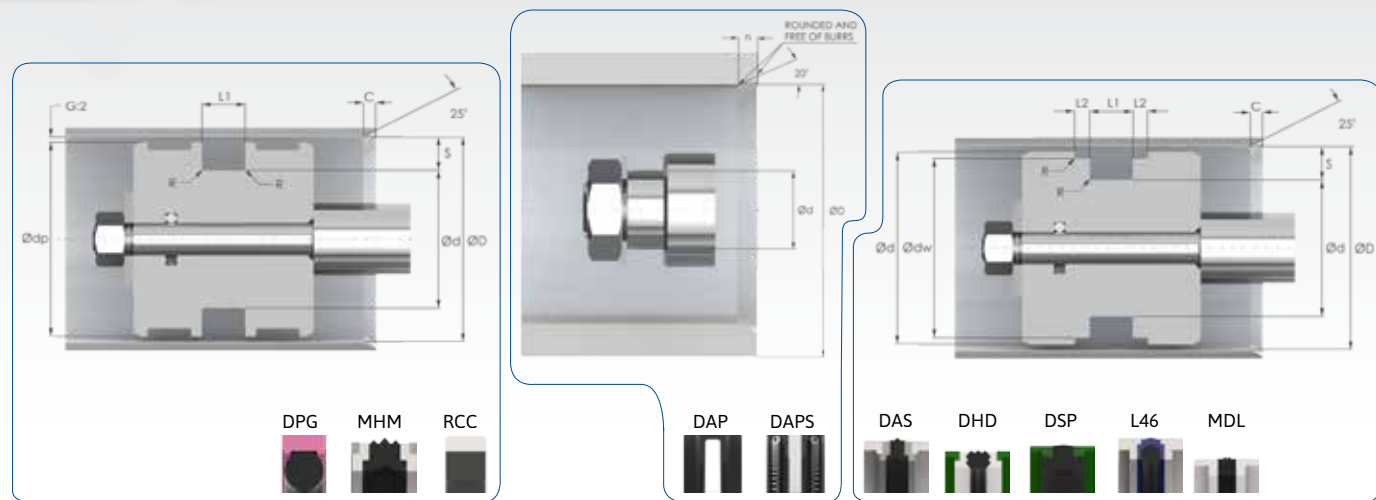


PART N°	PROFILE	HOUSING DIMENSIONS							REFERENCE N°
		ØD	Ød	L1	L2	Ødw	Ødp	SH	
SPGM012007-022	SPG	12.00	7.10	2.20			11.65		R30737
DAPM020005-080	DAP	20.00	5.20	1.40				8.00	
DASM020011-135	DAS	20.00	11.00	13.50	2.10	17.00	19.00		RF1030
DPGM020012-032	DPG	20.00	12.50	3.20			19.70		R30595
DASM022013-135	DAS	22.00	13.00	13.50	2.10	19.00	21.00		RF2538
SPGM024016-032	SPG	24.00	16.50	3.20			23.65		R30742
DAPM025008-220S	DAPS	25.00	8.00	3.50				22.00	
DAPM025008-120	DAP	25.00	8.00	4.00				12.00	
DASM025015-125	DAS	25.00	15.00	12.50	4.00	21.00	23.00		RF601A
DASM025015-164	DAS	25.00	15.00	16.40	6.35	21.45	23.50		RF602A
DASM025016-135	DAS	25.00	16.00	13.50	2.10	22.00	24.00		RF2540
DASM025017-080	DAS	25.00	17.00	8.00	4.00	22.10	24.40		RF2541
L46M025017-100	L46	25.00	17.00	10.00	4.00	22.00	24.00		
DASM025017-100	DAS	25.00	17.00	10.00	4.00	22.00	24.00		RF2542
DASM025017-135	DAS	25.00	17.00	13.50	3.20	22.10	24.00		RF2543
DPGM025017-032	DPG	25.00	17.50	3.20			24.40		R55551
DASM025017-085	DAS	25.00	17.50	8.50	3.25	21.30	24.00		RF2544
DSPM025017-085	DSP	25.00	17.50	8.50	4.00		24.00		RF970A
DAPM026008-220S	DAPS	26.00	8.00	3.50				22.00	
DAPM026008-120	DAP	26.00	8.00	4.00				12.00	
DASM028019-135	DAS	28.00	19.00	13.50	2.10	25.00	27.00		RF2545
DASM030017-164	DAS	30.00	17.00	16.40	6.35	26.50	29.00		RZ8660
SPRM030020-043	SPR	30.00	20.50	4.30			29.65		R30789
DASM030021-135	DAS	30.00	21.00	13.50	2.10	27.00	29.00		RF603A
DPGM030022-032	DPG	30.00	22.50	3.20			29.70		R58525
DAPM032008-250S	DAPS	32.00	8.00	12.50				25.00	
DAPM032008-150	DAP	32.00	8.00	15.50				15.00	
DASM032022-100	DAS	32.00	22.00	10.00	5.00	28.50	31.00		RF2548
DASM032022-110	DAS	32.00	22.00	11.00	4.00	27.50	31.00		RF2546
DASM032022-125	DAS	32.00	22.00	12.50	4.00	28.00	31.00		RF2549
DASM032022-155	DAS	32.00	22.00	15.50	2.60	28.00	31.00		RF2547
DASM032022-164	DAS	32.00	22.00	16.40	6.35	28.50	30.50		RF604A
L46M032024-100	L46	32.00	24.00	10.00	4.00	29.00	31.00		
DASM032024-100	DAS	32.00	24.00	10.00	4.00	29.00	31.00		RF605A
DASM032024-155	DAS	32.00	24.00	15.50	3.20	28.00	31.40		RF606A
MDLM032024-155	MDL	32.00	24.00	15.50	3.20	28.00	31.40		RF941A
SPGM032024-032	SPG	32.00	24.50	3.20			31.65		R58417
DPGM032024-032	DPG	32.00	24.50	3.20			31.70		R30596
DAPM035008-180S	DAPS	35.00	8.00	16.40				18.00	
DAPM035008-260S	DAPS	35.00	8.00	10.00				26.00	
DAPM035008-150	DAP	35.00	8.00	15.50				15.00	
SPRM035022-043	SPR	35.00	22.50	4.30			34.65		R30791
DASM035025-155	DAS	35.00	25.00	15.50	2.60	31.00	34.00		RF2550
DASM035025-164	DAS	35.00	25.00	16.40	6.35	31.40	33.50		RF2551
DASM035027-155	DAS	35.00	27.00	15.50	3.20	31.40	34.40		RF940A

PART N°	PROFILE	HOUSING DIMENSIONS							REFERENCE N°
		ØD	Ød	L1	L2	Ødw	Ødp	SH	
DPGM035027-032	DPG	35.00	27.50	3.20				34.70	R86687
DAPM036008-150	DAP	36.00	8.00	18.40				15.00	
DAPM038008-250S	DAPS	38.00	8.00	18.40				25.00	
SPGM038030-032	SPG	38.00	30.50	3.20				37.65	R30745
DAPM040010-250S	DAPS	40.00	10.00	15.00				25.00	
DAPM040010-180	DAP	40.00	10.00	20.00				18.00	
DAPM040014-230S	DAPS	40.00	14.00	20.50				23.00	
DASM040024-184	DAS	40.00	24.00	18.40	6.35	35.40	38.70		RF607A
NWRM040024-184	NWR	40.00	24.00	12.50	6.35	35.40	38.70		RF401A
NWRM040025-240	NWR	40.00	25.00	18.40	5.90	34.80	39.00		RF2668
DASM040026-155	DAS	40.00	26.00	15.50	2.60	36.00	39.00		RF500A
DAGM040029-042	DAG	40.00	29.00	12.50				39.40	
SPGM040029-042	SPG	40.00	29.00	4.20				39.65	R88543
DPGM040029-042	DPG	40.00	29.00	4.20				39.70	R30597
SPRM040030-043	SPR	40.00	30.00	4.30				39.65	R86281
L46M040030-100	L46	40.00	30.00	10.00	5.00	36.50	39.00		
DASM040030-100	DAS	40.00	30.00	10.00	5.00	36.50	39.00		RF2554
L46M040030-110	L46	40.00	30.00	11.00	4.00	35.50	39.00		
DASM040030-125/1	DAS	40.00	30.00	12.5	4.00	36.00	39.00		RF608A
DASM04003 0-125/2	DAS	40.00	30.00	12.5	4.00	37.00	39.00		RF609A
DASM040030-164	DAS	40.00	30.00	16.40	6.35	35.40	38.50		RF610A
DSPM040030-110	DSP	40.00	30.00	20.50	4.00		39.00	11.00	RF971A
DASM040032-100	DAS	40.00	32.00	10.00	4.00	37.00	39.00		RF611A
DASM040032-155	DAS	40.00	32.00	15.50	3.20	36.00	39.40		RF612A
MDLM040032-155	MDL	40.00	32.00	15.50	3.20	36.00	39.40		RF943A
MDLM040032-155/1	MDL	40.00	32.00	15.50	4.20	36.00	39.40		RF944A
DPGM040032-032	DPG	40.00	32.50	3.20				39.70	R30598
DASM042028-155	DAS	42.00	28.00	15.50	2.60	38.00	41.00		RF2555
SPGM042031-042	SPG	42.00	31.00	4.20				41.65	R30746
DAPM045010-250S	DAPS	45.00	10.00	22.50				25.00	
DASM045029-184	DAS	45.00	29.00	18.40	6.40	40.40	43.70		RF2556
DASM045031-155	DAS	45.00	31.00	15.50	2.60	41.00	44.00		RF613A
SPGM045034-042	SPG	45.00	34.00	4.20				44.65	R86284
DPGM045034-042	DPG	45.00	34.00	4.20				44.70	R30599
SPRM045035-043	SPR	45.00	35.00	4.30				44.65	R30792
DASM045035-164	DAS	45.00	35.00	16.40	6.35	40.40	43.50		RF614A
DASM045037-155	DAS	45.00	37.00	15.50	3.20	41.00	44.40		RF2557
DAPM046010-250S	DAPS	46.00	10.00	22.50				25.00	
DASM048029-184	DAS	48.00	29.00	18.40	6.40	43.40	47.00		RPB005
SPGM048037-042	SPG	48.00	37.00	4.20				47.65	
DPGM048037-042	DPG	48.00	37.00	4.20				47.65	RF2831
DAPM050010-250S	DAPS	50.00	10.00	11.00				25.00	
DAPM050010-180	DAP	50.00	10.00	4.60				18.00	
DAPM050016-230S	DAPS	50.00	16.00	4.50				23.00	
DAPM050016-205	DAP	50.00	16.00	4.60				20.50	

PISTON SEALS DOUBLE ACTING - METRIC

PISTON SEALS DOUBLE ACTING - METRIC



PISTON SEALS DOUBLE ACTING - METRIC

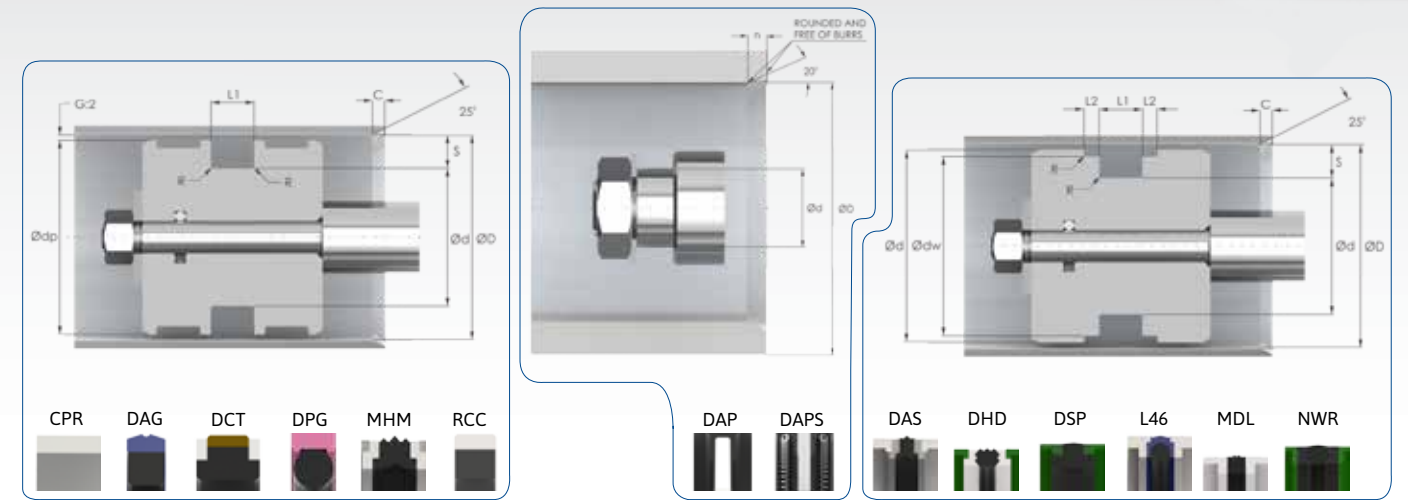
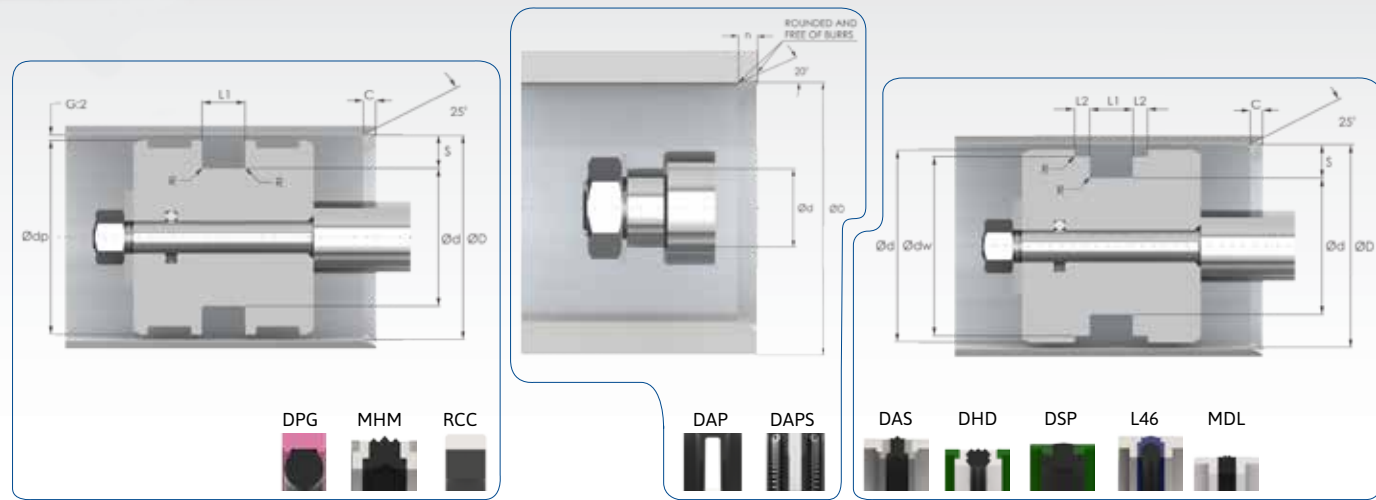
PISTON SEALS DOUBLE ACTING - METRIC

PART N°	PROFILE	HOUSING DIMENSIONS							REFERENCE N°
		ØD	Ød	L1	L2	Ødw	Ødp	SH	
NWRM050034-184	NWR	50.00	34.00	18.40	6.35	45.40	48.70		RF402A
DASM050034-184	DAS	50.00	34.00	18.40	6.35	45.40	49.00		RF615A
DASM050034-205	DAS	50.00	34.00	20.50	3.10	46.00	49.00		RF616A
DHDM050034-320	DHD	50.00	34.00	32.00	6.35	43.77	47.85		RF751A
DPGM050034-063	DPG	50.00	34.50	6.30			49.60		R30600
DASM050035-150	DAS	50.00	35.00	15.00	7.50	46.00	49.00		RF2558
DASM050035-200	DAS	50.00	35.00	20.00	5.00	46.00	48.50		R56058
NWRM050035-240	NWR	50.00	35.00	24.00	6.00	44.80	48.50		RPB008
DCTM050036-090	DCT	50.00	36.00	9.00			49.50		RBB050
SPGM050037-063	SPG	50.00	37.00	6.30			49.65		R30747
DASM050038-205	DAS	50.00	38.00	20.50	4.20	46.00	49.40		RF617A
MDLM050038-205	MDL	50.00	38.00	20.50	4.20	46.00	49.40		RF945A
SPGM050039-042	SPG	50.00	39.00	4.20			49.65		RP5304
DPGM050039-042	DPG	50.00	39.00	4.20			49.70		R86232
SPRM050040-043	SPR	50.00	40.00	4.30			49.65		R88876
DCTM050040-080	DCT	50.00	40.00	8.00			49.50		
L46M050040-110	L46	50.00	40.00	11.00	4.00	45.50	49.00		
DASM050040-113	DAS	50.00	40.00	11.30	4.00	45.40	49.00		RF2559
DASM050040-125	DAS	50.00	40.00	12.50	4.00	47.00	49.00		RF618A
DSPM050040-110	DSP	50.00	40.00	11.00	4.00		49.00	11.00	RF972A
DAPM055010-250S	DAPS	55.00	10.00	4.50				25.00	
DASM055039-184	DAS	55.00	39.00	18.40	6.35	50.36	53.65		RF619A
NWRM055039-184	NWR	55.00	39.00	18.40	6.35	50.40	53.70		RF403A
DASM055039-205	DAS	55.00	39.00	20.50	3.10	51.00	54.00		RF620A
DPGM055039-063	DPG	55.00	39.50	6.30			54.60		R85246
SPGM055039-063	SPG	55.00	39.50	6.30			54.65		
NWRM055040-240	NWR	55.00	40.00	24.00	5.90	49.80	53.50		RF2669
DCTM055041-090	DCT	55.00	41.00	9.00			54.50		RBB055
MDLM055043-205	MDL	55.00	43.00	20.50	4.20	51.00	54.40		RF946A
SPGM055044-042	SPG	55.00	44.00	4.20			54.65		R52916
DPGM055044-042	DPG	55.00	44.00	4.20			54.70		R86736
SPRM055045-043	SPR	55.00	45.00	4.30			54.65		R30793
DASM055045-125	DAS	55.00	45.00	12.50	4.00	52.00	54.00		RF2560
DSPM055045-110	DSP	55.00	45.00	11.00	4.00		54.00	11.00	RF973A
DASM056040-205	DAS	56.00	40.00	20.50	3.10	52.00	55.00		RF2561
DAPM060012-260S	DAPS	60.00	12.00	4.50				26.00	
DAPM060012-270S	DAPS	60.00	12.00	4.50				27.00	
DAPM060012-220	DAP	60.00	12.00	6.00				22.00	
DAPM060021-260S	DAPS	60.00	21.00	4.50				26.00	
NWRM060040-310	NWR	60.00	40.00	31.00	6.90	53.80	58.50		RF2670
DASM060044-184	DAS	60.00	44.00	18.40	6.35	55.39	58.65		RF621A
DHDM060044-184	DHD	60.00	44.00	18.40	6.35	55.40	58.70		RF2609
DASM060044-205	DAS	60.00	44.00	20.50	3.10	56.00	59.00		RF622A
DPGM060044-063	DPG	60.00	44.50	6.30			59.60		R86154
DASM060045-225	DAS	60.00	45.00	22.50	6.35	55.40	58.65		RF623A

PART N°	PROFILE	HOUSING DIMENSIONS							REFERENCE N°
		ØD	Ød	L1	L2	Ødw	Ødp	SH	
DCTM060046-090	DCT	60.00	46.00	9.00			59.50		RBB060
DASM060048-205	DAS	60.00	48.00	20.50	4.20	56.00	59.40		RF624A
MDLM060048-205	MDL	60.00	48.00	20.50	4.20	56.00	59.40		RF947A
SPGM060049-042	SPG	60.00	49.00	4.20			59.65		R86330
DPGM060049-042	DPG	60.00	49.00	4.20			59.70		R30601
SPRM060050-043	SPR	60.00	50.00	4.30			59.65		R30794
DAPM062015-220	DAP	62.00	15.00	6.00				22.00	
DAPM062041-300S	DAPS	62.00	41.00	4.50				30.00	
DAPM063012-250S	DAPS	63.00	12.00	4.50				25.00	
DAPM063012-220	DAP	63.00	12.00	5.60				22.00	
NWRM063043-310	NWR	63.00	43.00	31.00	6.90	56.80	61.50		RF2671
DASM063047-184	DAS	63.00	47.00	18.40	6.35	58.39	61.63		RF625A
DASM063047-194	DAS	63.00	47.00	19.40	6.35	58.40	61.63		RF626A
NWRM063047-194	NWR	63.00	47.00	19.40	6.40	58.40	61.60		RF404A
DASM063047-205	DAS	63.00	47.00	20.50	3.10	59.00	62.00		RF627A
DPGM063047-063	DPG	63.00	47.50	6.30			62.60		R30602
SPGM063047-063	SPG	63.00	47.50	6.30			62.65		
SPRM063048-073	SPR	63.00	48.00	7.30			62.65		R86758
DCTM063048-110	DCT	63.00	48.00	11.00			62.50		RBB063
DASM063048-200	DAS	63.00	48.00	20.00	5.00	59.00	61.50		RF2562
NWRM063048-240	NWR	63.00	48.00	24.00	5.90	57.80	61.50		RF2672
DPGM063050-063	DPG	63.00	50.00	6.30			62.70		R30603
MHMM063050-145	MHM	63.00	50.00	14.50			62.75		R30640
DASM063051-205	DAS	63.00	51.00	20.50	4.20	59.00	62.40		RF628A
MDLM063051-205	MDL	63.00	51.00	20.50	4.20	59.00	62.40		RF948A
RCCM063052-042	RCC	63.00	52.00	4.20			62.30		
SPGM063052-042	SPG	63.00	52.00	4.20			62.65		RCS063
DPGM063052-042	DPG	63.00	52.00	4.20			62.65		R55720
SPRM063052-043	SPR	63.00	52.00	4.30			62.65		R86218
L46M063053-110	L46	63.00	53.00	11.00	4.00	58.50	61.50		
DASM063053-110	DAS	63.00	53.00	11.00	4.00	58.50	61.50		RF2563
DASM063053-125	DAS	63.00	53.00	12.50	4.00	60.00	62.00		R57132
DSPM063053-110	DSP	63.00	53.00	11.00	4.00		61.70	11.00	RF974A
SPGM063055-032	SPG	63.00	55.50	3.20			62.65		
DAPM065012-250S	DAPS	65.00	12.00	4.50				25.00	
DASM065049-205	DAS	65.00	49.00	20.50	3.10	61.00	64.00		RF2564
DPGM065049-063	DPG	65.00	49.50	6.30			64.60		R30604
SPRM065050-073	SPR	65.00	50.00	7.30			64.65		R30795
DCTM065050-110	DCT	65.00	50.00	11.00			64.50		
NWRM065050-184	NWR	65.00	50.00	18.40	6.35	60.40	63.70		RF405A
DASM065050-184	DAS	65.00	50.00	18.40	6.35	60.41	63.64		RF629A
DCTM065051-090	DCT	65.00	51.00	9.00			64.50		
DPGM065052-063	DPG	65.00	52.00	6.30			64.70		R53980
MDLM065053-205	MDL	65.00	53.00	20.50	4.20	61.00	64.40		RF949A
DAGM065054-042	DAG	65.00	54.00	4.20			64.40		

PISTON SEALS DOUBLE ACTING - METRIC

PISTON SEALS DOUBLE ACTING - METRIC

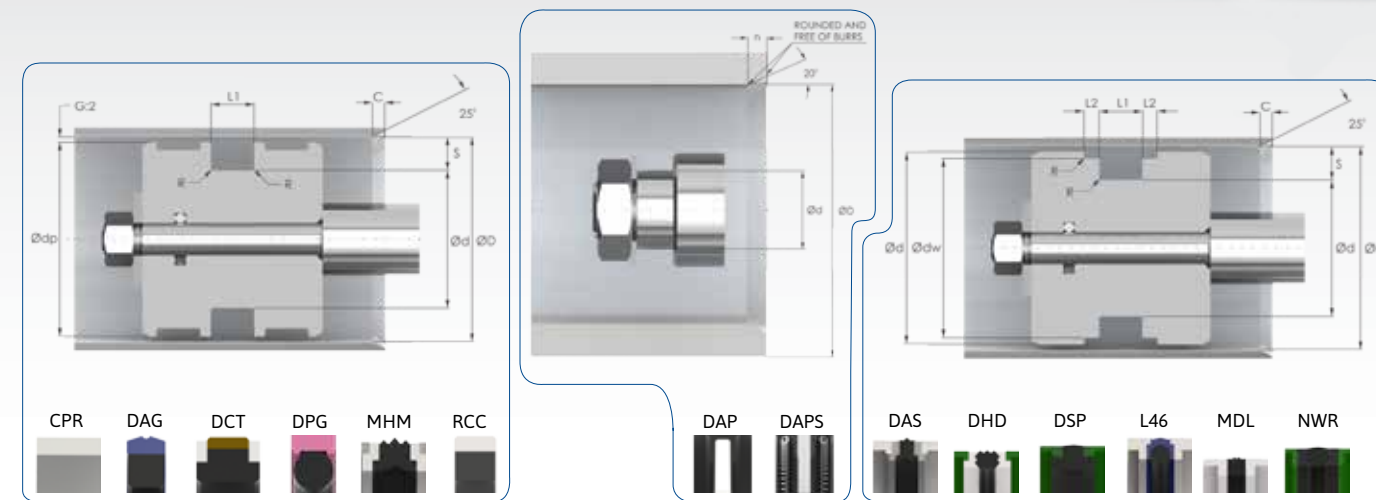
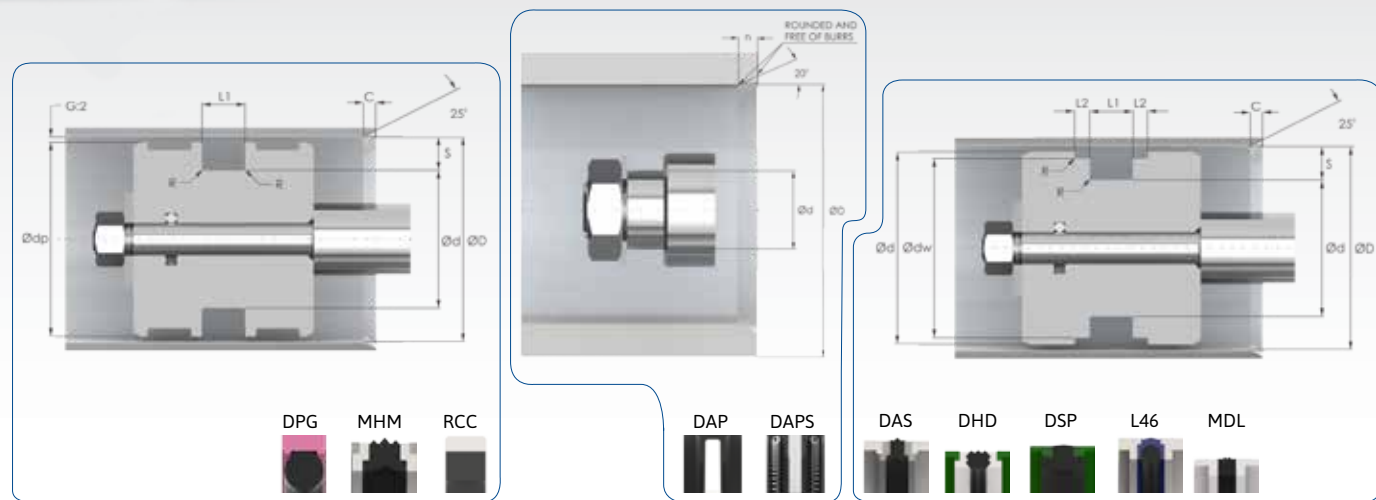


PART N°	PROFILE	HOUSING DIMENSIONS							REFERENCE N°
		ØD	Ød	L1	L2	Ødw	Ødp	SH	
SPGM065054-042	SPG	65.00	54.00	4.20			64.65		R85596
DPGM065054-042	DPG	65.00	54.00	4.20			64.70		R30605
DPGM067050-063	DPG	67.00	50.00	6.30			66.70		
SPRM069054-073	SPR	69.00	54.00	7.30			68.65		R30796
DAPM070012-300S	DAPS	70.00	12.00	5.90				30.00	
DAPM070012-220	DAP	70.00	12.00	6.00				22.00	
NWRM070050-224	NWR	70.00	50.00	22.40	6.35	64.15	68.30		RZ8673
DASM070050-224	DAS	70.00	50.00	22.40	6.35	64.18	68.34		RF630A
NWRM070050-310	NWR	70.00	50.00	31.00	6.90	63.80	68.00		RF2674
DHDM070050-350	DHD	70.00	50.00	35.00	9.52	62.62	67.54		RF754A
DASM070054-205	DAS	70.00	54.00	20.50	3.10	66.00	69.00		RF631A
SPGM070055-063	SPG	70.00	54.50	6.30			69.65		R89471
DPGM070054-063	DPG	70.00	54.50	6.30			69.65		R30860
SPRM070055-073	SPR	70.00	55.00	7.30			69.65		R30797
DCTM070055-110	DCT	70.00	55.00	11.00			69.50		RBB070
DASM070055-200	DAS	70.00	55.00	20.00	5.00	66.00	69.00		RF2566
DASM070055-225	DAS	70.00	55.00	22.50	6.35	64.35	68.35		RF632A
MHMM070055-225	MHM	70.00	55.00	22.50			69.75		
DPGM070057-063	DPG	70.00	57.00	6.30			69.70		R30606
DASM070058-205	DAS	70.00	58.00	20.50	4.20	66.00	69.40		RF633A
MDLM070058-205	MDL	70.00	58.00	20.50	4.20	66.00	69.40		RF950A
SPGM070059-042	SPG	70.00	59.00	4.20			69.65		R89471
DPGM070059-042	DPG	70.00	59.00	4.20			69.70		R30607
L46M070060-125	L46	70.00	60.00	12.50	4.00	67.00	69.00		
DAPM075012-300S	DAPS	75.00	12.00	5.90				30.00	
DAPM075012-220	DAP	75.00	12.00	6.00				22.00	
DASM075055-224	DAS	75.00	55.00	22.40	6.35	69.20	73.32		RF634A
NWRM075055-224	NWR	75.00	55.00	22.40	6.40	69.15	73.30		RF406A
MHMM075055-230	MHM	75.00	55.00	23.00			74.75		R30641
DHDM075055-350	DHD	75.00	55.00	35.00	9.52	67.70	72.54		RF755A
DASM075059-205	DAS	75.00	59.00	20.50	3.10	71.00	74.00		RF2568
DPGM075059-063	DPG	75.00	59.50	6.30			74.60		R30608
SPGM075059-063	SPG	75.00	59.50	6.30			74.65		
SPRM075060-073	SPR	75.00	60.00	7.30			74.65		R30798
DCTM075060-110	DCT	75.00	60.00	11.00			74.50		RBB075
DASM075063-205	DAS	75.00	63.00	20.50	5.00	71.00	74.00		
SPGM075064-042	SPG	75.00	64.00	4.20			74.65		R51649
DPGM075064-042	DPG	75.00	64.00	4.20			74.70		R30609
DAPM080012-250	DAP	80.00	12.00	5.00				25.00	
DAPM080012-300S	DAPS	80.00	12.00	5.00				30.00	
DAPM080016-225	DAP	80.00	16.00	6.50				22.50	
DAPM080016-250	DAP	80.00	16.00	6.50				25.00	
DAPM080020-225	DAP	80.00	20.00	6.50				22.50	
RCCM080059-081	RCC	80.00	59.00	8.10			79.00		
SPGM080059-081	SPG	80.00	59.00	8.10			79.65		RBR080

PART N°	PROFILE	HOUSING DIMENSIONS							REFERENCE N°
		ØD	Ød	L1	L2	Ødw	Ødp	SH	
DASM080060-220	DAS	80.00	60.00	22.00	10.00	74.00	78.00		RF2569
NWRM080060-224	NWR	80.00	60.00	22.40	6.35	74.15	78.30		RF407A
DASM080060-224	DAS	80.00	60.00	22.40	6.35	74.15	78.34		RF635A
DASM080060-250	DAS	80.00	60.00	25.00	6.30	75.00	78.00		RF2570
NWRM080060-310	NWR	80.00	60.00	31.00	6.90	73.80	78.00		RF2676
DHDM080060-350	DHD	80.00	60.00	35.00	9.52	72.62	77.52		RF756A
DASM080062-225	DAS	80.00	62.00	22.50	3.60	76.00	79.00		RF636A
DPGM080064-063	DPG	80.00	64.50	6.30			79.60		R30610
SPGM080065-063	SPG	80.00	64.50	6.30			79.65		R89471
SPRM080065-073	SPR	80.00	65.00	7.30			79.65		R30799
DCTM080065-110	DCT	80.00	65.00	11.00			79.50		RBB080
DASM080065-200	DAS	80.00	65.00	20.00	5.00	76.00	78.50		RF637A
DASM080065-225	DAS	80.00	65.00	22.50	6.35	74.15	78.35		RF638A
MHMM080065-225	MHM	80.00	65.00	22.50			79.75		R46385
DASM080066-225	DAS	80.00	66.00	22.50	5.20	76.00	79.40		RF639A
MDLM080066-225	MDL	80.00	66.00	22.50	5.20	76.00	79.40		RF951A
L46M080070-110	L46	80.00	70.00	11.00	4.00	75.50	78.50		
DASM080070-110	DAS	80.00	70.00	11.00	4.00	75.50	78.50		RF2571
L46M080070-125	L46	80.00	70.00	12.50	4.00	77.00	79.00		
DSPM080070-110	DSP	80.00	70.00	11.00	4.00		78.50		RF975A
DAPM085012-350S	DAPS	85.00	12.00	7.10				35.00	
SPGM085064-081	SPG	85.00	64.00	8.10			84.65		RBR085
NWRM085065-224	NWR	85.00	65.00	22.40	6.35	79.15	83.30		
DASM085065-224	DAS	85.00	65.00	22.40	6.35	79.16	83.34		RF640A
DPGM085069-063	DPG	85.00	69.50	6.30			84.60		R30611
SPGM085070-063	SPG	85.00	69.50	6.30			84.65		R89471
SPRM085070-073	SPR	85.00	70.00	7.30			84.65		R88603
DCTM085070-110	DCT	85.00	70.00	11.00			84.50		RBB085
MDLM085071-225	MDL	85.00	71.00	22.50	5.20	81.00	84.40		RF952A
DAPM090012-350S	DAPS	90.00	12.00	7.10				35.00	
DAPM090016-250	DAP	90.00	16.00	6.50				25.00	
RCCM090069-081	RCC	90.00	69.00	8.10				89.00	
SPGM090069-081	SPG	90.00	69.00	8.10			89.65		RBR090
DASM090070-224	DAS	90.00	70.00	22.40	6.35	84.15	88.31		RF641A
NWRM090070-224	NWR	90.00	70.00	22.40	6.40	84.15	88.30		RF408A
DASM090070-300	DAS	90.00	70.00	30.00	6.35	84.15	88.35		RF642A
MHMM090070-300	MHM	90.00	70.00	30.00			89.75		R46366
NWRM090070-310	NWR	90.00	70.00	31.00	6.90	83.80	88.00		RF2678
NWRM090070-314	NWR	90.00	70.00	31.40	6.40	84.20	88.30		RF409A
DHDM090070-350	DHD	90.00	70.00	35.00	9.50	82.58	87.50		RF2621
DASM090072-225	DAS	90.00	72.00	22.50	3.60	86.00	89.00		RF643A
DPGM090074-063	DPG	90.00	74.50	6.30			89.60		R30612
SPGM090075-063	SPG	90.00	74.50	6.30			89.65		R89471
SPRM090075-073	SPR	90.00	75.00	7.30			89.65		R30801
DCTM090075-110	DCT	90.00	75.00	11.00			89.50		RBB090

PISTON SEALS DOUBLE ACTING - METRIC

PISTON SEALS DOUBLE ACTING - METRIC

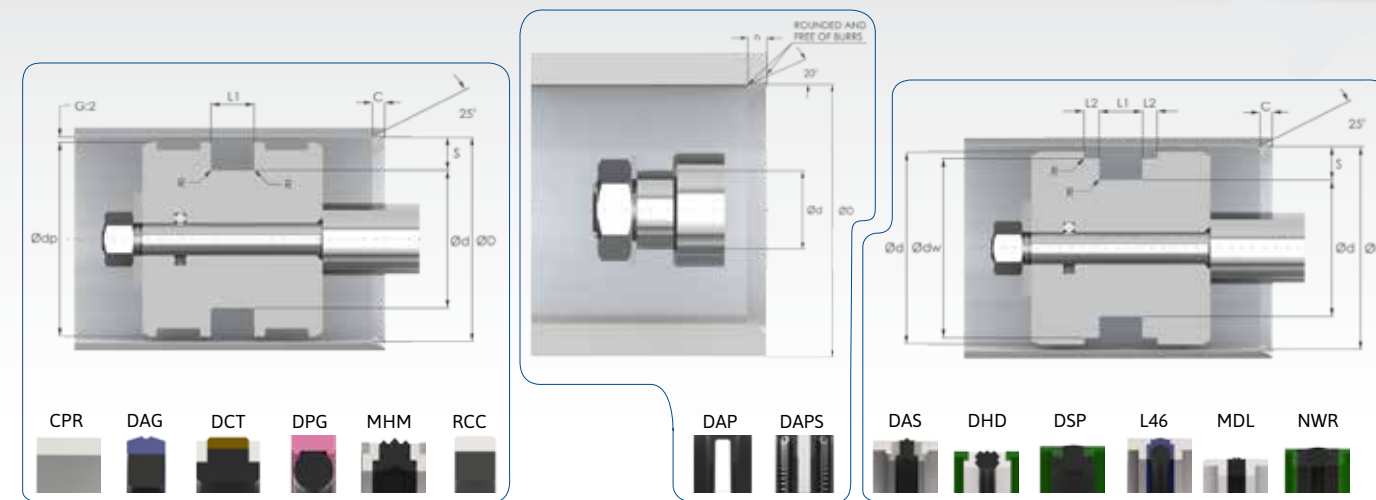
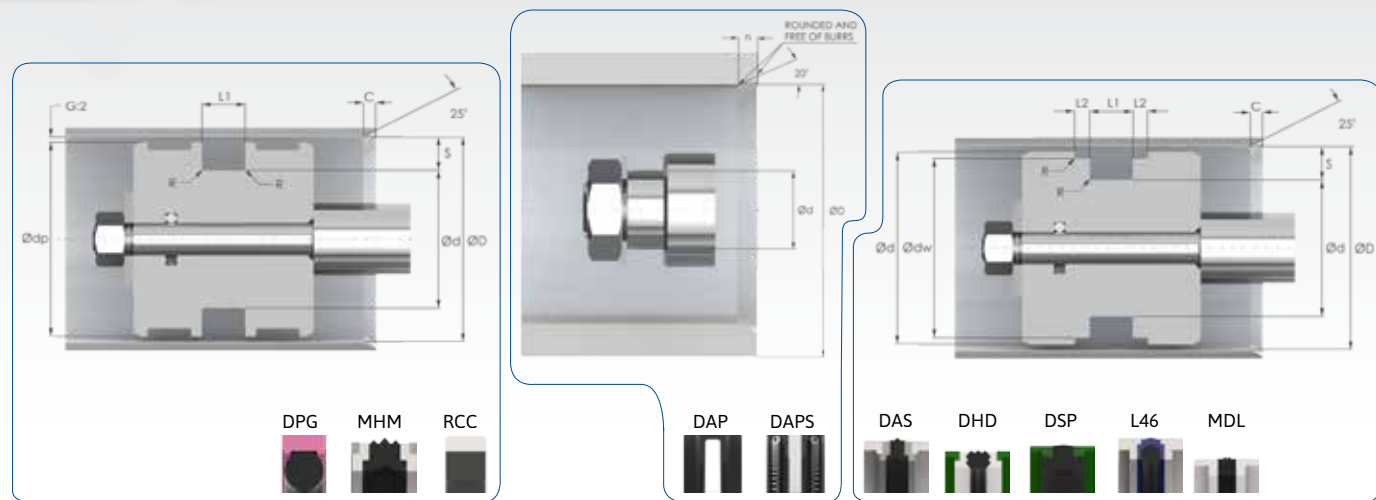


PART N°	PROFILE	HOUSING DIMENSIONS							REFERENCE N°
		ØD	Ød	L1	L2	Ødw	Ødp	SH	
DCTM090075-130	DCT	90.00	75.00	13.00			89.50		
MHMM090075-135	MHM	90.00	75.00	13.50			89.75		R30643
DASM090075-200	DAS	90.00	75.00	20.00	5.00		88.50		
SPRM090075-072	SPR	90.00	75.80	7.20			89.65		
DASM090076-225	DAS	90.00	76.00	22.50	5.20		86.00	89.40	RF644A
MDLM090076-225	MDL	90.00	76.00	22.50	5.20		86.00	89.40	RF953A
L46M090080-125	L46	90.00	80.00	12.50	4.00		86.00	88.50	
DASM092082-110	DAS	92.00	82.00	11.00	4.00		87.50	90.50	RF2574
DASM092082-130	DAS	92.00	82.00	13.00	6.40		88.00	90.30	RF2575
SPGM095074-081	SPG	95.00	74.00	8.10				94.65	RBR095
NWRM095075-224	NWR	95.00	75.00	22.40	6.35		89.15	93.30	RF410A
DASM095075-224	DAS	95.00	75.00	22.40	6.35		89.15	93.31	RF645A
DPGM095079-063	DPG	95.00	79.50	6.30				94.60	R30613
SPGM095080-063	SPG	95.00	79.50	6.30				94.65	RBQ095
DCTM095080-110	DCT	95.00	80.00	11.00				94.50	RBB095
DAPM100012-250	DAP	100.00	12.00	6.50					25.00
DAPM100012-350S	DAPS	100.00	12.00	7.10					35.00
DAPM100016-250	DAP	100.00	16.00	6.50					25.00
DAPM100020-250	DAP	100.00	20.00	6.50					25.00
DAPM100020-260	DAP	100.00	20.00	6.60					26.00
DASM100075-224	DAS	100.00	75.00	22.40	6.35		93.13	98.05	RF646A
NWRM100075-224	NWR	100.00	75.00	22.40	6.35		93.15	98.00	R86428
RCCM100079-081	RCC	100.00	79.00	8.10				99.00	
SPGM100079-081	SPG	100.00	79.00	8.10				99.65	RBR100
DASM100080-220	DAS	100.00	80.00	22.00	10.00		94.00	98.00	RF2577
NWRM100080-254	NWR	100.00	80.00	25.40	6.35		94.15	98.30	R86754
DASM100080-260	DAS	100.00	80.00	26.00	6.35		95.00	98.00	R86475
DASM100080-300	DAS	100.00	80.00	30.00	6.35		94.15	98.35	RF647A
MHMM100080-300	MHM	100.00	80.00	30.00				99.75	R46367
NWRM100080-310	NWR	100.00	80.00	31.00	6.90		93.80	98.00	RF2681
DHDM100080-350	DHD	100.00	80.00	35.00	9.52		92.60	97.50	RF757A
DASM100082-225	DAS	100.00	82.00	22.50	3.60		96.00	99.00	RF648A
DAGM100084-063	DAG	100.00	84.00	6.30				99.20	
RCCM100084-063	RCC	100.00	84.50	6.30				99.00	
DPGM100084-063	DPG	100.00	84.50	6.30				99.60	R86432
SPGM100085-063	SPG	100.00	84.50	6.30				99.65	RBQ100
SPRM100085-073	SPR	100.00	85.00	7.30				99.65	R30804
DCTM100085-125	DCT	100.00	85.00	12.50				99.50	RBB100
DASM100085-200	DAS	100.00	85.00	20.00	5.00		96.00	98.50	RF649A
MHMM100085-200	MHM	100.00	85.00	20.00				99.75	
DASM100086-225	DAS	100.00	86.00	22.50	5.20		96.00	99.40	RF650A
MDLM100086-225	MDL	100.00	86.00	22.50	5.20		96.00	99.40	RF954A
MHMM100086-225	MHM	100.00	86.00	22.50				99.75	
SPRM100086-072	SPR	100.00	86.60	7.20				99.65	
DASM100087-140	DAS	100.00	87.00	14.00	6.00		93.80	98.40	RPA072

PART N°	PROFILE	HOUSING DIMENSIONS							REFERENCE N°
		ØD	Ød	L1	L2	Ødw	Ødp	SH	
L46M100087-140	L46	100.00	87.00	14.00	6.00		93.80	98.50	
L46M100090-125	L46	100.00	90.00	12.50	4.00		96.00	98.50	
DASM105080-224	DAS	105.00	80.00	22.40	6.35		98.09	103.03	RF651A
NWRM105080-224	NWR	105.00	80.00	22.40	6.40		98.10	103.10	RF411A
RCCM105084-081	RCC	105.00	84.00	8.10				103.80	
SPGM105084-081	SPG	105.00	84.00	8.10				104.80	RBR105
DPGM105089-063	DPG	105.00	89.50	6.30				104.60	R30614
SPGM105090-063	SPG	105.00	89.50	6.30				104.80	RBQ105
DCTM105090-125	DCT	105.00	90.00	12.50				104.50	RBB105
DASM105092-147	DAS	105.00	92.50	14.70	6.40		99.15	103.30	RF710A
DAPM110012-400S	DAPS	110.00	12.00	7.00					40.00
DAPM110018-250	DAP	110.00	18.00	7.50					25.00
DASM110085-224	DAS	110.00	85.00	22.40	6.35		103.10	108.00	RF652A
NWRM110085-224	NWR	110.00	85.00	22.40	6.35		103.10	108.30	RZ8674
DASM110085-254	DAS	110.00	85.00	25.40	6.35		103.10	108.00	RF653A
DHDM110085-450	DHD	110.00	85.00	45.00	12.70		101.82	107.50	RF2629
DAGM110089-081	DAG	110.00	89.00	8.10				109.30	
SPGM110089-081	SPG	110.00	89.00	8.10				109.50	RBR110
DASM110090-253	DAS	110.00	90.00	25.40	6.40		104.10	108.00	RF654A
DASM110090-300	DAS	110.00	90.00	30.00	6.35		103.10	108.00	RF655A
MHMM110090-300	MHM	110.00	90.00	30.00				109.75	
DHDM110090-350	DHD	110.00	90.00	35.00	9.50		102.70	107.50	RF2632
DASM110092-225	DAS	110.00	92.00	22.50	3.60		106.00	108.00	RF656A
SPRM110094-073	SPR	110.00	94.00	7.30				109.65	R30807
DPGM110094-063	DPG	110.00	94.50	6.30				107.50	R30615
RCCM110094-063	RCC	110.00	94.50	6.30				108.80	
SPGM110094-063	SPG	110.00	94.50	6.30				109.60	RBQ110
DCTM110095-125	DCT	110.00	95.00	12.50				109.50	RBB110
DASM110095-200	DAS	110.00	95.00	20.00	5.00		106.00	108.00	RF2578
DASM110096-225	DAS	110.00	96.00	22.50	5.20		106.00	108.00	RF657A
MDLM110096-225	MDL	110.00	96.00	22.50	5.20		106.00	107.50	RF955A
CPRM110101-030ST	CPR	110.00	101.00	3.00					
CPRM110102-063ST	CPR	110.00	102.00	6.35					
DASM115090-224	DAS	115.00	90.00	22.40	6.35		108.10	113.02	RF658A
DHDM115090-450	DHD	115.00	90.00	45.00	12.70		106.82	113.50	RF758A
RCCM115094-081	RCC	115.00	94.00	8.10				113.80	
SPGM115094-081	SPG	115.00	94.00	8.10				114.65	RBR115
DASM115097-225	DAS	115.00	97.00	22.50	3.60		111.00	114.00	RF659A
DPGM115099-063	DPG	115.00	99.50	6.30				114.60	R30616
SPGM115100-063	SPG	115.00	99.50	6.30				114.65	RBQ115
DCTM115100-125	DCT	115.00	100.00	12.50				114.50	RBB115
CPRM115105-040ST	CPR	115.00	105.00	4.00					
DAPM120020-400S	DAPS	120.00	20.00	9.00					40.00
DASM120095-224	DAS	120.00	95.00	22.40	6.35		113.10	118.00	RF660A
NWRM120095-224	NWR	120.00	95.00	22.40	6.35		113.10	118.00	RF413A

PISTON SEALS DOUBLE ACTING - METRIC

PISTON SEALS DOUBLE ACTING - METRIC

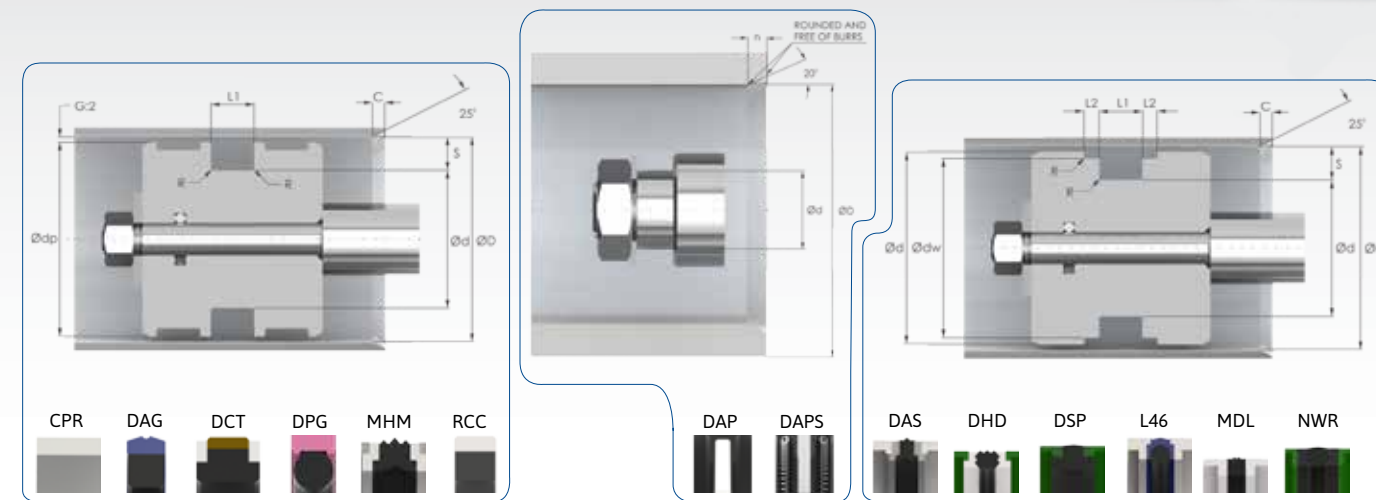
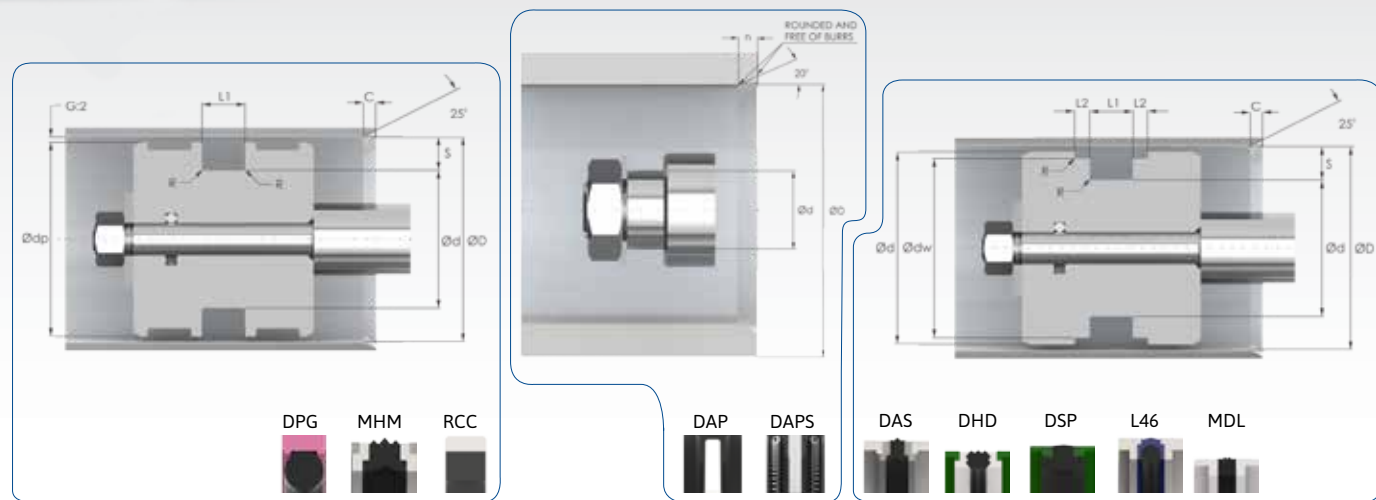


PART N°	PROFILE	HOUSING DIMENSIONS							REFERENCE N°
		ØD	Ød	L1	L2	Ødw	Ødp	SH	
DHDM120095-450	DHD	120.00	95.00	45.00	12.70	111.82	117.30		RF2636
RCCM120099-081	RCC	120.00	99.00	8.10			118.80		
DPGM120099-081	DPG	120.00	99.00	8.10			119.60		R59884
SPGM120099-081	SPG	120.00	99.00	8.10			119.65		RBR120
DAGM120099-100	DPG	120.00	99.00	10.50			119.60		
NWRM120100-254	NWR	120.00	100.00	25.40	6.35	114.10	118.30		RF414A
DASM120100-300	DAS	120.00	100.00	30.00	6.35	113.10	118.00		RZ8675
MHMM120100-300	MHM	120.00	100.00	30.00			119.75		
NWRM120100-310	NWR	120.00	100.00	31.00	6.90	113.80	118.00		RF2687
DHDM120100-350	DHD	120.00	100.00	35.00	9.52	112.80	117.51		RF759A
DPGM120104-063	DPG	120.00	104.50	6.30			119.60		R30617
SPGM120105-063	SPG	120.00	104.50	6.30			119.65		RBQ120
DCTM120105-125	DCT	120.00	105.00	12.50			119.50		RBB120
DASM120106-225	DAS	120.00	106.00	22.50	5.20	116.00	119.40		RF661A
MDLM120106-225	MDL	120.00	106.00	22.50	5.20	116.00	119.40		RF956A
DAPM125020-400S	DAPS	125.00	20.00	9.00				40.00	
DAPM125020-260	DAP	125.00	20.00	10.00				26.00	
DAPM125020-300	DAP	125.00	20.00	10.00				30.00	
DAPM125030-400S	DAPS	125.00	30.00	9.00				40.00	
DAPM125030-500S	DAPS	125.00	30.00	9.00				50.00	
DASM125100-254	DAS	125.00	100.00	25.40	6.35	118.10	122.96		RF663A
NWRM125100-254	NWR	125.00	100.00	25.40	6.40	117.80	122.80		RF415A
DASM125100-254/1	DAS	125.00	100.00	25.40	12.70	118.00	123.00		RF662A
DASM125100-320	DAS	125.00	100.00	32.00	10.00	119.00	123.00		RF664A
NWRM125100-380	NWR	125.00	100.00	38.00	9.50	118.80	123.00		R55795
DHDM125100-450	DHD	125.00	100.00	45.00	12.70	116.82	122.33		RF760A
DCTM125102-160	DCT	125.00	102.00	16.00			124.50		RBB125
DASM125103-265	DAS	125.00	103.00	26.50	5.10	121.00	124.00		RF665A
RCCM125104-081	RCC	125.00	104.00	8.10			123.80		
DAGM125104-081	DAG	125.00	104.00	8.10			124.20		
DPGM125104-081	DPG	125.00	104.00	8.10			124.60		R30618
SPGM125104-081	SPG	125.00	104.00	8.10			124.65		RBR125
DAGM125104-100	DAG	125.00	104.00	10.00			124.20		
DASM125105-250	DAS	125.00	105.00	25.00	6.35	120.00	123.00		RZ8665
DASM125105-253/1	DAS	125.00	105.00	25.30	6.35	119.10	123.00		
DASM125105-253	DAS	125.00	105.00	25.30	6.35	120.00	123.00		RF666A
NWRM125105-254	NWR	125.00	105.00	25.40	6.35	119.15	123.30		RF416A
DASM125108-265	DAS	125.00	108.00	26.50	7.20	121.00	124.40		RF667A
MDLM125108-265	MDL	125.00	108.00	26.50	7.20	121.00	124.40		RF957A
RCCM125109-063	RCC	125.00	109.50	6.30			123.80		
DPGM125109-063	DPG	125.00	109.50	6.30			124.60		R30619
SPGM125110-063	SPG	125.00	109.50	6.30			124.65		RBQ125
MHMM125110-158	MHM	125.00	110.00	15.80			124.75		R30654
DASM125112-140	DAS	125.00	112.00	14.00	6.00	118.80	123.50		RZ8676
CPRM125113-064	CPR	125.00	113.00	6.40					

PART N°	PROFILE	HOUSING DIMENSIONS							REFERENCE N°
		ØD	Ød	L1	L2	Ødw	Ødp	SH	
CPRM125115-040ST	CPR	125.00	115.00	4.00					
DAPM130020-400S	DAPS	130.00	20.00	9.00				40.00	
NWRM130104-380	NWR	130.00	104.00	38.00	9.50	123.85	128.00		R89641
DASM130105-254	DAS	130.00	105.00	25.40	6.35	123.10	128.00		RF668A
NWRM130105-254	NWR	130.00	105.00	25.40	6.35	123.10	128.00		RF417A
DASM130105-254/1	DAS	130.00	105.00	25.40	9.52	122.60	127.50		RF669A
DHDM130105-450	DHD	130.00	105.00	45.00	12.70	121.82	127.33		RF761A
DCTM130107-160	DCT	130.00	107.00	16.00			129.50		RBB130
RCCM130109-081	RCC	130.00	109.00	8.10			128.80		
DPGM130109-081	DPG	130.00	109.00	8.10			129.60		R30620
SPGM130109-081	SPG	130.00	109.00	8.10			129.65		RBR130
DHDM130110-350	DHD	130.00	110.00	35.00	9.52	122.70	127.33		RF762A
DPGM130114-063	DPG	130.00	114.50	6.30			129.60		R30621
SPGM130115-063	SPG	130.00	114.50	6.30			129.65		RBQ130
CPRM130119-040	CPR	130.00	119.00	4.00					
DASM135110-250	DAS	135.00	110.00	25.00	12.70	128.00	133.00		RF2580
DASM135110-254	DAS	135.00	110.00	25.40	6.35	128.10	133.00		RF670A
NWRM135110-254	NWR	135.00	110.00	25.40	6.40	128.10	133.00		RF418A
DASM135110-254/1	DAS	135.00	110.00	25.40	9.52	127.60	132.50		RF671A
DHDM135110-450	DHD	135.00	110.00	45.00	12.70	126.82	132.30		RF2646
DCTM135112-160	DCT	135.00	112.00	16.00			134.50		RBB135
RCCM135114-081	RCC	135.00	114.00	8.10			133.80		
DPGM135114-081	DPG	135.00	114.00	8.10			134.60		R30622
SPGM135114-081	SPG	135.00	114.00	8.10			134.65		RBR135
CPRM135124-040	CPR	135.00	124.00	4.00					
DAPM140020-400S	DAPS	140.00	20.00	11.00				40.00	
DAPM140020-300	DAP	140.00	20.00	12.00				30.00	
DASM140115-254	DAS	140.00	115.00	25.40	6.35	133.00	138.00		RF672A
NWRM140115-254	NWR	140.00	115.00	25.40	6.35	133.00	138.00		RF419A
DASM140115-254/1	DAS	140.00	115.00	25.40	9.52	132.60	137.50		RF673A
DHDM140115-450	DHD	140.00	115.00	45.00	12.70	131.72	137.30		RF763A
DCTM140117-160	DCT	140.00	117.00	16.00			139.50		RBB140
DASM140118-265	DAS	140.00	118.00	26.50	5.10	136.00	139.00		RF674A
RCCM140119-081	RCC	140.00	119.00	8.10			138.80		
DAGM140119-081	DAG	140.00	119.00	8.10			139.20		
DPGM140119-081	DPG	140.00	119.00	8.10			139.60		R30623
SPGM140119-081	SPG	140.00	119.00	8.10			139.65		RBR140
DASM140120-250	DAS	140.00	120.00	25.00	6.35	135.00	138.00		R57133
NWRM140120-310	NWR	140.00	120.00	31.00	6.90	133.80	138.00		RF2692
DHDM140120-350	DHD	140.00	120.00	35.00	9.50	132.70	137.30		RF2649
DASM140123-265	DAS	140.00	123.00	26.50	7.20	136.00	139.40		RF675A
MDLM140123-265	MDL	140.00	123.00	26.50	7.20	136.00	139.40		RF958A
DASM140124-175	DAS	140.00	124.00	17.50	8.75	132.00	138.50		RF2581
DPGM140124-063	DPG	140.00	124.50	6.30			139.60		R30624
CPRM140128-040	CPR	140.00	128.60	4.00					

PISTON SEALS DOUBLE ACTING - METRIC

PISTON SEALS DOUBLE ACTING - METRIC

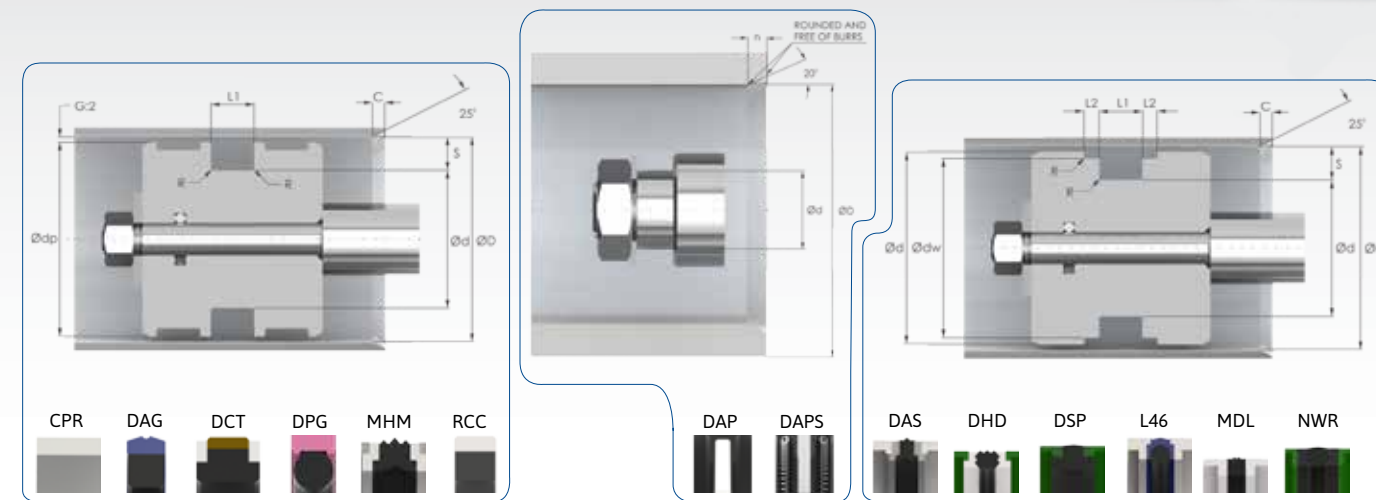
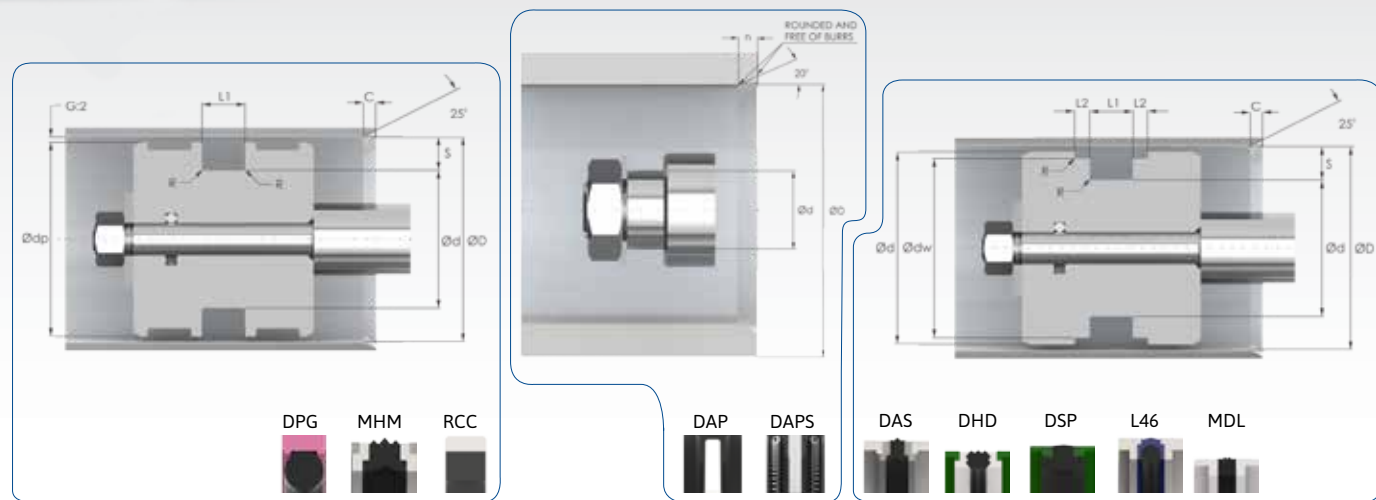


PART N°	PROFILE	HOUSING DIMENSIONS							REFERENCE N°
		ØD	Ød	L1	L2	Ødw	Ødp	SH	
CPRM140132-040	CPR	140.00	132.00	4.00					
DAPM145020-450S	DAPS	145.00	20.00	11.00				45.00	
DAPM145041-450S	DAPS	145.00	41.00	11.00				45.00	
DASM145120-254/1	DAS	145.00	120.00	25.40	6.35	138.30	142.50		RF676A
NWRM145120-254	NWR	145.00	120.00	25.40	6.35	138.30	142.95		RF420A
DASM145120-254	DAS	145.00	120.00	25.40	9.52	137.60	142.50		RF677A
DCTM145122-160	DCT	145.00	122.00	16.00			144.50		RBB145
RCCM145124-081	RCC	145.00	124.00	8.10			143.80		
SPGM145124-081	SPG	145.00	124.00	8.10			144.65		RBR145
NWRM145125-310	NWR	145.00	125.00	31.00	7.00	138.80	143.00		R89060
DAPM150020-400S	DAPS	150.00	20.00	11.00				40.00	
DAPM150020-300	DAP	150.00	20.00	12.00				30.00	
DASM150125-250	DAS	150.00	125.00	25.00	12.70	143.00	148.00		RF2582
DASM150125-254/1	DAS	150.00	125.00	25.40	6.35	143.00	148.00		RF678A
NWRM150125-254	NWR	150.00	125.00	25.40	6.40	143.00	148.00		RF421A
DASM150125-254	DAS	150.00	125.00	25.40	9.52	142.60	147.50		RF679A
NWRM150125-380	NWR	150.00	125.00	38.00	6.45	143.50	148.00		RZ8677
DHDM150125-450	DHD	150.00	125.00	45.00	12.70	141.72	147.30		RF764A
DCTM150127-160	DCT	150.00	127.00	16.00			149.50		RBB150
DASM150128-265	DAS	150.00	128.00	26.50	5.10	146.00	149.00		RF680A
RCCM150129-081	RCC	150.00	129.00	8.10			148.80		
DPGM150129-081	DPG	150.00	129.00	8.10			149.60		R30625
SPGM150129-081	SPG	150.00	129.00	8.10			149.65		RBR150
DAGM150129-100	DAG	150.00	129.00	10.00			149.20		
DASM150133-265	DAS	150.00	133.00	26.50	7.20	146.00	149.40		RF681A
MDLM150133-265	MDL	150.00	133.00	26.50	7.20	146.00	149.40		RF959A
DASM155130-254/1	DAS	155.00	130.00	25.40	6.35	148.00	153.00		RF682A
NWRM155130-254	NWR	155.00	130.00	25.40	6.35	148.00	153.00		RF422A
DASM155130-254	DAS	155.00	130.00	25.40	9.50	147.60	152.50		RF2583
DCTM155132-160	DCT	155.00	132.00	16.00			154.50		RBB155
SPGM155134-081	SPG	155.00	134.00	8.10			154.65		RBR155
DAPM160020-400S	DAPS	160.00	20.00	11.00				40.00	
DAPM160020-300	DAP	160.00	20.00	12.00				30.00	
DAPM160024-300	DAP	160.00	24.00	10.00				30.00	
DAPM160027-310	DAP	160.00	27.00	12.00				31.00	
DASM160130-254/1	DAS	160.00	130.00	25.40	6.35	153.00	157.50		RF683A
DASM160130-254	DAS	160.00	130.00	25.40	9.52	152.60	157.50		RF684A
DASM160135-254	DAS	160.00	135.00	25.40	9.52	152.60	157.50		RF685A
DASM160135-320	DAS	160.00	135.00	32.00	10.00	154.00	158.00		RF2584
NWRM160135-380	NWR	160.00	135.00	38.00	9.50	153.80	158.00		RF2695
DHDM160135-450	DHD	160.00	135.00	45.00	12.70	151.72	157.10		RF765A
DCTM160137-160	DCT	160.00	137.00	16.00			159.50		RBB160
DASM160138-265	DAS	160.00	138.00	26.50	5.10	156.00	159.00		RF686A
RCCM160139-081	RCC	160.00	139.00	8.10			158.80		
DPGM160139-081	DPG	160.00	139.00	8.10			159.60		R30626

PART N°	PROFILE	HOUSING DIMENSIONS							REFERENCE N°
		ØD	Ød	L1	L2	Ødw	Ødp	SH	
SPGM160139-081	SPG	160.00	139.00	8.10				159.65	RBR160
DCTM160140-160	DCT	160.00	140.00	16.00				159.50	
DASM160140-250	DAS	160.00	140.00	25.00	6.35	155.00	158.00		RF687A
DASM160140-250/1	DAS	160.00	140.00	25.00	12.50	151.40	158.50		RF2585
DASM160143-265	DAS	160.00	143.00	26.50	7.20	156.00	159.40		RF688A
MDLM160143-265	MDL	160.00	143.00	26.50	7.20	156.00	159.40		RF960A
CPRM160146-080	CPR	160.00	146.00	8.00					
CPRM160147-040	CPR	160.00	147.00	4.00					
CPRM160147-040ST	CPR	160.00	147.00	4.00					
DASM165140-254/1	DAS	165.00	140.00	25.00	12.70	158.00	162.50		
DASM165140-254/2	DAS	165.00	140.00	25.40	6.40	159.66	162.50		
DASM165140-254	DAS	165.00	140.00	25.40	9.52	157.60	162.50		RF689A
DCTM165142-160	DCT	165.00	142.00	16.00			164.50		RBB165
DASM165143-265	DAS	165.00	143.00	26.50	5.10	161.00	164.00		RF709A
RCCM165144-081	RCC	165.00	144.00	8.10			163.80		
DPGM165144-081	DPG	165.00	144.00	8.10			164.60		R30627
SPGM165144-081	SPG	165.00	144.00	8.10			164.65		RBR165
NWRM170140-254	NWR	170.00	140.00	25.40	6.40	162.50	168.00		RF423A
DASM170140-254	DAS	170.00	140.00	25.40	6.40	162.95	167.90		RF2588
DHDM170140-450	DHD	170.00	140.00	45.00	12.70	163.00	167.87		RF766A
DASM170145-254	DAS	170.00	145.00	25.40	12.70	161.72	167.10		RF690A
DCTM170147-160	DCT	170.00	147.00	16.00			169.50		RBB170
DASM170148-265	DAS	170.00	148.00	26.50	5.10	166.00	169.00		R86510
RCCM170149-081	RCC	170.00	149.00	8.10			168.80		
DPGM170149-081	DPG	170.00	149.00	8.10			169.60		R30628
SPGM170149-081	SPG	170.00	149.00	8.10			169.65		RBR170
DAPM175020-400S	DAPS	175.00	20.00	11.00				40.00	
DASM175150-254	DAS	175.00	150.00	25.40	12.70	166.72	172.10		RF691A
DCTM175152-16	DCT	175.00	152.00	16.00			174.50		RBB175
RCCM175154-081	RCC	175.00	154.00	8.10			173.80		
DAPM180020-400S	DAPS	180.00	20.00	11.00				40.00	
DAPM180027-310	DAP	180.00	27.00	12.00				31.00	
DASM180150-354	DAS	180.00	150.00	35.40	6.35	172.95	177.87		RF692A
NWRM180150-354	NWR	180.00	150.00	35.40	6.35	172.95	177.87		RF424A
DASM180155-254	DAS	180.00	155.00	25.40	12.70	171.72	177.10		RF693A
DHDM180155-450	DHD	180.00	155.00	45.00	12.70	171.60	177.10		RF767A
DCTM180157-160	DCT	180.00	157.00	16.00			179.50		RBB180
DASM180158-265	DAS	180.00	158.00	26.50	5.10	176.00	179.00		RF782A
RCCM180159-081	RCC	180.00	159.00	8.10			178.80		
DPGM180159-081	DPG	180.00	159.00	8.10			179.60		R30629
SPGM180159-081	SPG	180.00	159.00	8.10			179.65		RBR180
MHMM180160-160	MHM	180.00	160.00	16.00			179.75		R30668
NWRM180160-314	NWR	180.00	160.00	31.40	6.35	172.95	177.87		RF425A
DASM180163-265	DAS	180.00	163.00	26.50	7.20	176.00	179.40		RF694A
MDLM180163-265	MDL	180.00	163.00	26.50	7.20	176.00	179.40		RF961A

PISTON SEALS DOUBLE ACTING - METRIC

PISTON SEALS DOUBLE ACTING - METRIC



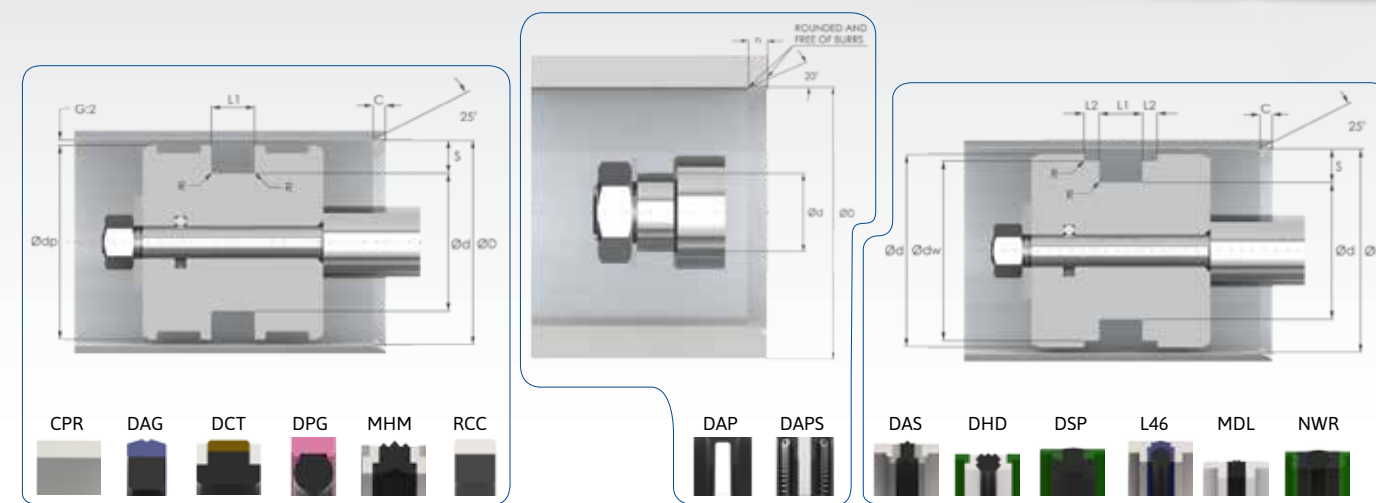
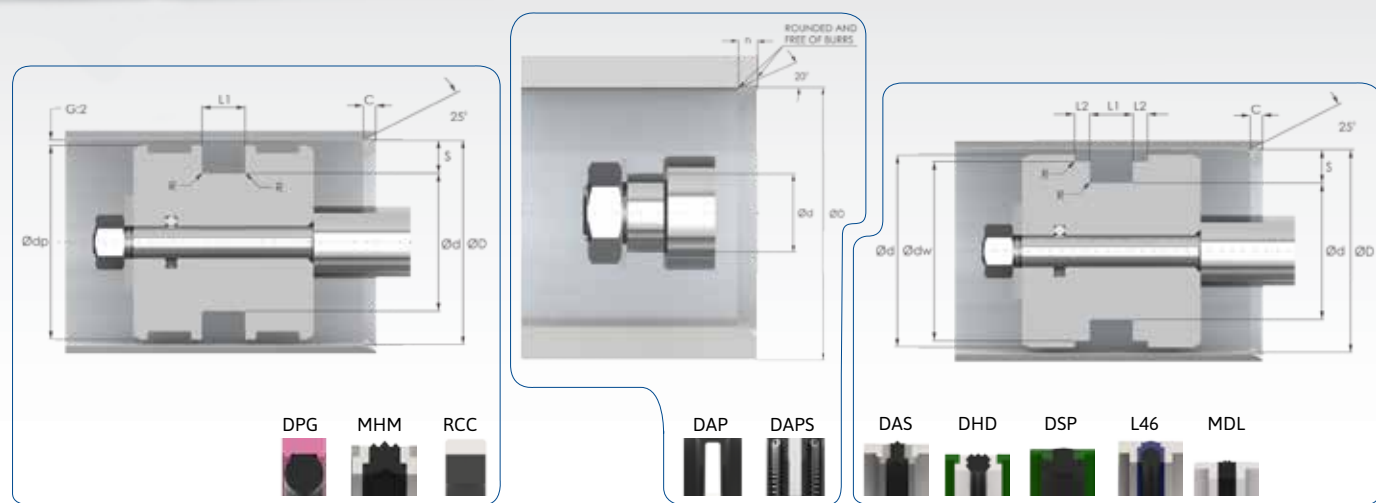
PART N°	PROFILE	HOUSING DIMENSIONS							REFERENCE N°
		ØD	Ød	L1	L2	Ødw	Ødp	SH	
CPRM185170-040	CPR	180.00	170.00	22.90					
DASM185160-253	DAS	185.00	160.00	25.30	12.70	176.70	182.10		RF2590
DCTM185162-160	DCT	185.00	162.00	16.00			184.50		RBB185
RCCM185164-081	RCC	185.00	164.00	8.10			183.80		
CPRM180170-229	CPR	185.00	170.00	4.00					
DAPM190012-350	DAP	190.00	12.00	12.00				35.00	
DAPM190020-300	DAP	190.00	20.00	12.00				30.00	
DASM190165-254	DAS	190.00	165.00	25.40	12.70	181.72	187.05		RF695A
DHDM190165-450	DHD	190.00	165.00	45.00	12.70	181.70	187.10		RF2661
DCTM190167-160	DCT	190.00	167.00	16.00			189.50		RBB190
RCCM190169-081	RCC	190.00	169.00	8.10			188.80		
DPGM190169-081	DPG	190.00	169.00	8.10			189.60		R30630
SPGM190169-081	SPG	190.00	169.00	8.10			189.65		RBR190
CPRM190180-229	CPR	190.00	180.00	22.90					
DASM195170-254	DAS	195.00	170.00	25.40	12.70	186.70	192.00		RF2591
DAPM200020-400S	DAPS	200.00	20.00	11.00				40.00	
DAPM200020-350	DAP	200.00	20.00	15.00				35.00	
DAPM200020-400AS	DAPS	200.00	20.20	11.00				40.00	
DAPM200027-350	DAP	200.00	27.00	12.00				35.00	
NWRM200170-354	NWR	200.00	170.00	35.40	6.35	192.96	197.84		RF426A
DASM200170-354	DAS	200.00	170.00	35.40	6.35	193.00	198.00		RF696A
DASM200170-360	DAS	200.00	170.00	36.00	12.50	192.00	197.00		RF697A
DASM200175-254	DAS	200.00	175.00	25.40	12.70	191.62	197.00		RF698A
DASM200175-315	DAS	200.00	175.00	31.50	6.60	196.00	199.00		RF699A
DHDM200175-450	DHD	200.00	175.00	45.00	12.70	191.72	197.10		RF768A
DCTM200177-160	DCT	200.00	177.00	16.00			199.50		RBB200
RCCM200179-081	RCC	200.00	179.00	8.10			198.80		
DPGM200179-081	DPG	200.00	179.00	8.10			199.60		R30631
SPGM200179-081	SPG	200.00	179.00	8.10			199.65		RBR200
DASM200180-250	DAS	200.00	180.00	25.00	12.50	191.40	198.50		RF2593
DASM200180-315	DAS	200.00	180.00	31.50	9.20	196.00	199.40		RF700A
MDLM200180-265	MDL	200.00	180.00	31.50	9.20	196.00	199.40		RF962A
CPRM200190-249	CPR	200.00	190.00	24.90					
CPRM200190-251A	CPR	200.22	190.00	25.10					
DASM210185-254	DAS	210.00	185.00	25.40	12.70	201.60	207.00		RF701A
DHDM210185-450	DHD	210.00	185.00	45.00	12.70	201.60	207.10		RF769A
DCTM210187-160	DCT	210.00	187.00	16.00			209.50		RBB210
RCCM210189-081	RCC	210.00	189.00	8.10			208.80		
DPGM210189-081	DPG	210.00	189.00	8.10			209.60		R30632
SPGM210190-081	SPG	210.00	189.00	8.10			209.65		RBR210
DCTM215192-160	DCT	215.00	192.00	16.00			214.50		
RCCM215194-081	RCC	215.00	194.00	8.10			213.80		
NWRM220190-354	NWR	220.00	190.00	35.40	6.35	212.70	217.90		RF427A
DASM220190-354	DAS	220.00	190.00	35.45	6.35	212.37	217.90		RF702A
DASM220195-254	DAS	220.00	195.00	25.40	12.70	211.60	217.00		RF2595

PART N°	PROFILE	HOUSING DIMENSIONS							REFERENCE N°
		ØD	Ød	L1	L2	Ødw	Ødp	SH	
DHDM220195-450	DHD	220.00	195.00	45.00	12.70	211.70	217.10		RF2665
DCTM220197-160	DCT	220.00	197.00	16.00			219.50		RBB220
RCCM220199-081	RCC	220.00	199.00	8.10			218.80		
DPGM220199-081	DPG	220.00	199.00	8.10			219.60		R30633
DASM220200-315	DAS	220.00	200.00	31.50	9.20	216.00	219.40		RF703A
MDLM220200-315	MDL	220.00	200.00	31.50	9.20	216.00	219.40		RF963A
CPRM220202-096	CPR	220.00	202.00	9.60					
CPRM220209-250	CPR	220.00	209.90	25.00					
CPRM220209-251	CPR	220.00	209.90	25.10					
DASM225200-254	DAS	225.00	200.00	25.40	12.70	216.62			RZ8670
DCTM225202-160	DCT	225.00	202.00	16.00			224.50		RBB225
SPGM225202-099	SPG	225.00	202.40	9.90			224.65		
RCCM225204-081	RCC	225.00	204.00	8.10			223.80		
DAPM230030-400S	DAPS	230.00	30.00	13.00				40.00	
DASM230205-254	DAS	230.00	205.00	25.40	12.70	221.60	227.00		RF704A
DHDM230205-450	DHD	230.00	205.00	45.00	12.70	221.72	227.10		RF770A
DCTM230207-160	DCT	230.00	207.00	16.00			229.50		RBB230
RCCM230209-081	RCC	230.00	209.00	8.10			228.80		
DCTM235212-160	DCT	235.00	212.00	16.00			234.50		
DASM240215-254	DAS	240.00	215.00	25.40	12.70	231.60	237.00		R52549
DHDM240215-450	DHD	240.00	215.00	45.00	12.70	231.72	237.10		RF771A
DCTM240217-160	DCT	240.00	217.00	16.00			239.50		RBB240
DPGM240219-081	DPG	240.00	219.00	8.10			239.60		R30635
SPGM240219-081	SPG	240.00	219.00	8.10			239.65		R30774
DAPM250030-400S	DAPS	250.00	30.00	13.00				40.00	
DAPM250030-350	DAP	250.00	30.00	16.50				35.00	
DASM250220-354	DAS	250.00	220.00	35.40	6.35	242.90	247.85		RF705A
NWRM250220-354	NWR	250.00	220.00	35.40	6.35	242.90	247.86		RF428A
DCTM250222-175	DCT	250.00	222.00	17.50			249.50		RBB250
DASM250225-254	DAS	250.00	225.00	25.40	12.70	241.62	247.00		RF706A
DASM250225-315	DAS	250.00	225.00	31.50	6.60	246.00	249.00		RF707A
DHDM250225-450	DHD	250.00	225.00	45.00	12.70	241.72	247.10		RF772A
RCCM250229-081	RCC	250.00	229.00	8.10			248.80		
DPGM250229-081	DPG	250.00	229.00	8.10			249.60		R30636
SPGM250229-081	SPG	250.00	229.00	8.10			249.65		
CPRM250230-096	CPR	250.00	230.00	9.60					
CPRM250232-050	CPR	250.00	232.00	5.00					
DCTM260232-175	DCT	260.00	232.00	17.50			259.50		RBB260
DHDM260235-450	DHD	260.00	235.00	45.00	12.70	251.72	257.10		RF773A
SPGM260239-081	SPG	260.00	239.00	8.10			259.65		R30776
DHDM270245-450	DHD	270.00	245.00	45.00	12.70	261.72	267.10		RF774A
DASM280250-300	DAS	280.00	250.00	30.00	15.00	272.00	277.00		RF2596
DASM280250-354	DAS	280.00	250.00	35.40	6.35	273.00	278.00		R86485
DCTM280252-175	DCT	280.00	252.00	17.50			279.50		RBB280
DHDM280255-450	DHD	280.00	255.00	45.00	12.70	271.72	277.10		RF775A

PISTON SEALS DOUBLE ACTING METRIC

PISTON SEALS DOUBLE ACTING IMPERIAL

PISTON SEALS DOUBLE ACTING - METRIC



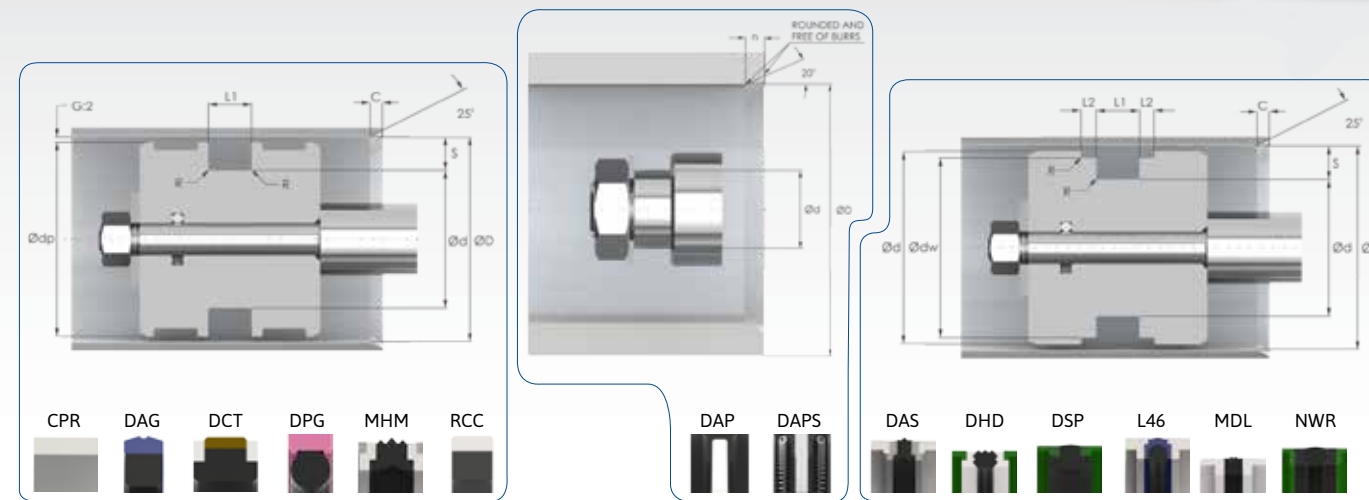
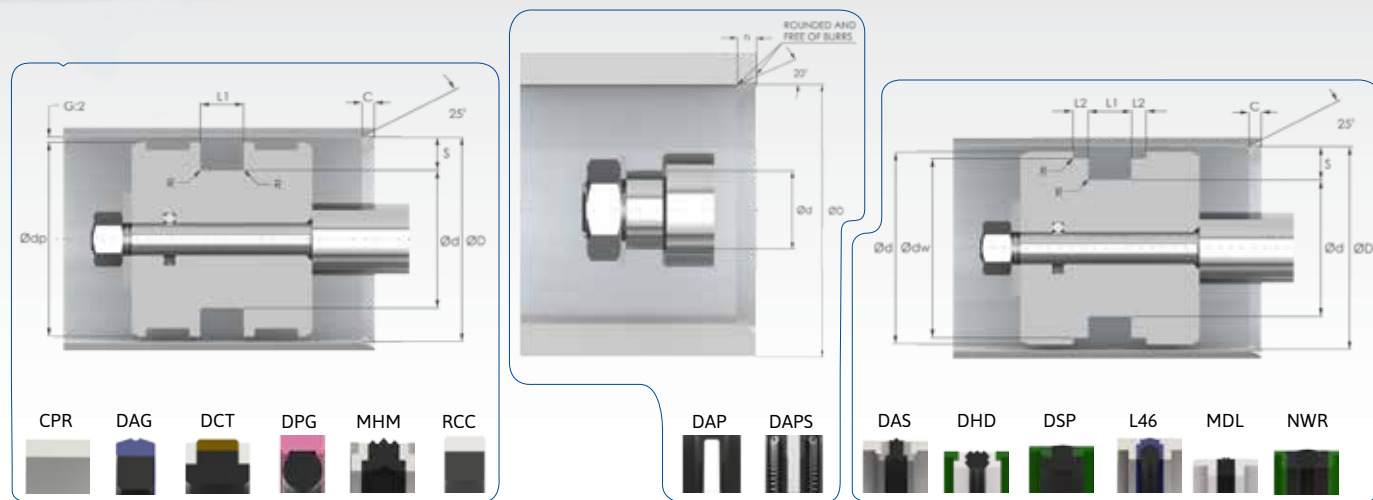
PISTON SEALS DOUBLE ACTING - IMPERIAL

PART N°	PROFILE	HOUSING DIMENSIONS							REFERENCE N°
		ØD	Ød	L1	L2	Ødw	Ødp	SH	
RCCM280255-081	RCC	280.00	255.50	8.10			278.80		
CPRM280270-229	CPR	280.00	270.00	22.90					
CPRM280270-231B	CPR	280.25	270.00	23.10					
CPRM280270-231A	CPR	280.50	270.40	23.10					
DHDM290265-450	DHD	290.00	265.00	45.00	12.70	281.72	287.10		RF776A
RCCM290272-095	RCC	290.00	271.00	9.50			288.80		
DAPM300060-400S	DAPS	300.00	60.00	13.00				40.00	
RCCM300272-095	RCC	300.00	272.00	9.50			298.80		
DCTM300272-175	DCT	300.00	272.00	17.50			299.50		
DHDM300275-450	DHD	300.00	275.00	45.00	12.70	291.72	297.10		RF777A
CPRM300290-229A	CPR	300.50	290.00	22.90					
DAPM320036-400	DAP	320.00	36.00	18.60				40.00	
RCCM330302-095	RCC	330.00	302.00	9.50			328.80		
CPRM330320-256	CPR	330.00	320.00	25.60					
RCCM350322-095	RCC	350.00	322.00	9.50			348.80		
DCTM350322-175	DCT	350.00	322.00	17.50			349.50		
CPRM350340-255	CPR	350.00	340.00	25.50					
DAPM400040-500	DAP	400.00	40.00	23.00				50.00	
RCCM420392-095	RCC	420.00	392.00	9.50			418.80		
CPRM420410-252	CPR	420.00	410.00	25.20					

PART N°	PROFILE	HOUSING DIMENSIONS							REFERENCE N°	ALTERNATIVE REFERENCE
		ØD	Ød	L1	L2	Ødw	Ødp			
TDAI037019-150	TDA	0.375	0.190	0.150			0.371		RZ8600	TRP037
TDAI043025-150	TDA	0.437	0.252	0.150			0.433		RZ8601	TRP043
RDAI050031-150	RDA	0.500	0.315	0.150			0.490		RDA050	
TDAI050031-150	TDA	0.500	0.315	0.150			0.496		RZ8602	TRP050
TDAI056031-185	TDA	0.562	0.317	0.185			0.558		RZ8603	TRP056
TDAI062038-185	TDA	0.625	0.380	0.185			0.621		RZ8604	TRP062
RDAI062038-196	RDA	0.625	0.380	0.196			0.615		RDA062	
RDAI068043-196	RDA	0.687	0.437	0.196			0.677		RDA068	
TDAI068044-185	TDA	0.687	0.442	0.185			0.683		RZ8605	TRP068
RDAI075037-263	RDA	0.750	0.375	0.263			0.740		RDA075	
RDAI075050-187	RDA	0.750	0.500	0.187			0.740		RDA075-2	
TDAI075050-185	TDA	0.750	0.505	0.185			0.746		RZ8606	TRP075
RDAI081056-196	RDA	0.812	0.562	0.196			0.802		RDA081	
TDAI081056-185	TDA	0.812	0.567	0.185			0.808		RZ8607	TRP081
RDAI087050-263	RDA	0.875	0.500	0.263			0.865		RDA087	
TDAI087063-185	TDA	0.875	0.630	0.185			0.870		RZ8001	TRP087-2
TDAI093069-185	TDA	0.937	0.692	0.185			0.933		RZ8608	TRP093
RDAI100062-196	RDA	1.000	0.625	0.196			0.990		RDA100-2	
RDAI100062-263	RDA	1.000	0.625	0.263			0.990		RDA100-1	
JWRI100062-437	JWR	1.000	0.625	0.437	0.250	0.812	0.940		RZL100	LS-100WR
JDAI100062-437	JDA	1.000	0.625	0.437			0.995		RL0473	LS-100
NWRI100062-483	NWR	1.000	0.625	0.483	0.250	0.883	0.968			
LDAI100062-995	LDA	1.000	0.625	0.489			0.995		RZ3468	LD10-BU
NWRI100062-608	NWR	1.000	0.625	0.608	0.182	0.865	0.968			
LWRI100062-614	LWR	1.000	0.625	0.614	0.187	0.863	0.968		RZ3590	LD10-WR
SPRI100063-170	SPR	1.000	0.633	0.170			0.999			
DASI100069-034	DAS	1.000	0.687	0.343	0.125	0.829	0.937		R89832	
SPGI100069-128	SPG	1.000	0.690	0.128			0.999		RZ8259	
DAGI100069-129	DAG	1.000	0.691	0.129			0.995		RZ8183	
SPGI100070-125	SPG	1.000	0.704	0.125			0.999		RZ8260	
SPGI100074-083	SPG	1.000	0.741	0.083			0.999		RZ8261	
RDAI100075-187	RDA	1.000	0.750	0.187			0.990		RDA100	
RDAI100075-196	RDA	1.000	0.750	0.196			0.990		RDA100-3	
TDAI100075-185	TDA	1.000	0.756	0.185			0.996		RZ8609	TRP100
CPRI100087-100	CPR	1.000	0.875	0.100						
TDAI106082-185	TDA	1.062	0.818	0.185			1.058		RZ8610	TRP106
LDAI112062-1120	LDA	1.125	0.625	0.645			1.120		RZ3469	LD11-BU
LWRI112062-770	LWR	1.125	0.625	0.770	0.250	0.988	1.093		RZ3591	LD11-WR
RDAI112075-263	RDA	1.125	0.750	0.263			1.115		RDA112-1	
JWRI112075-437	JWR	1.125	0.750	0.437	0.250	0.937	1.065		RZL112	LS-112WR
JDAI112075-437	JDA	1.125	0.750	0.437			1.120		RL0475	LS-112
RDAI112087-187	RDA	1.125	0.875	0.187			1.115		RDA112	
RDAI112087-196	RDA	1.125	0.875	0.196			1.115		RDA112-3	
TDAI112088-185	TDA	1.125	0.881	0.185			1.121		RZ8611	TRP112
RDAI112088-196	RDA	1.125	0.881	0.196			1.115		RDA112-4	

PISTON SEALS DOUBLE ACTING IMPERIAL

PISTON SEALS DOUBLE ACTING IMPERIAL

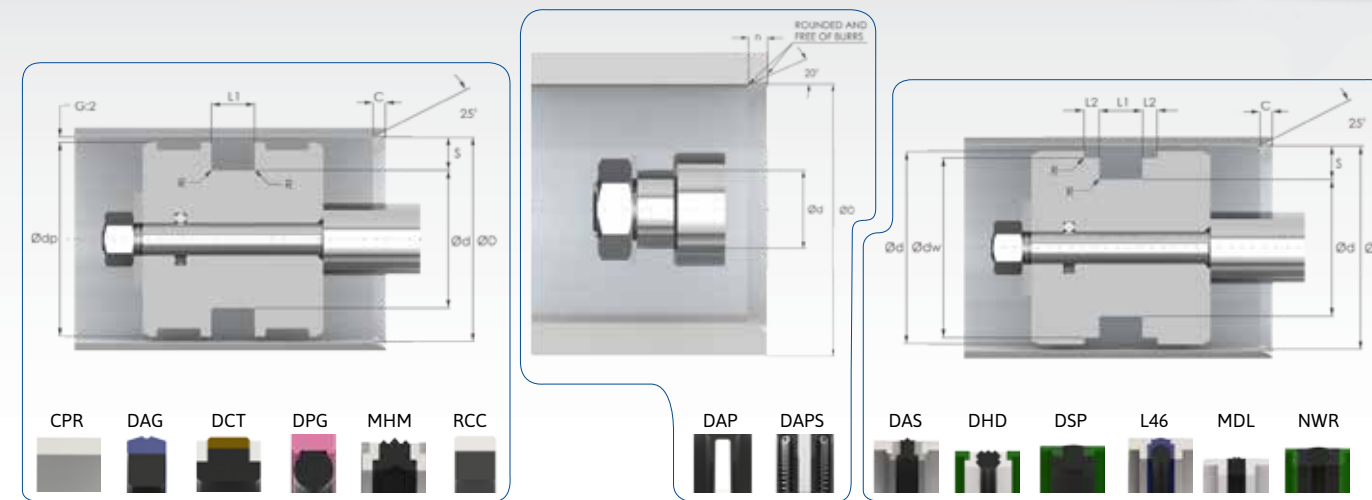
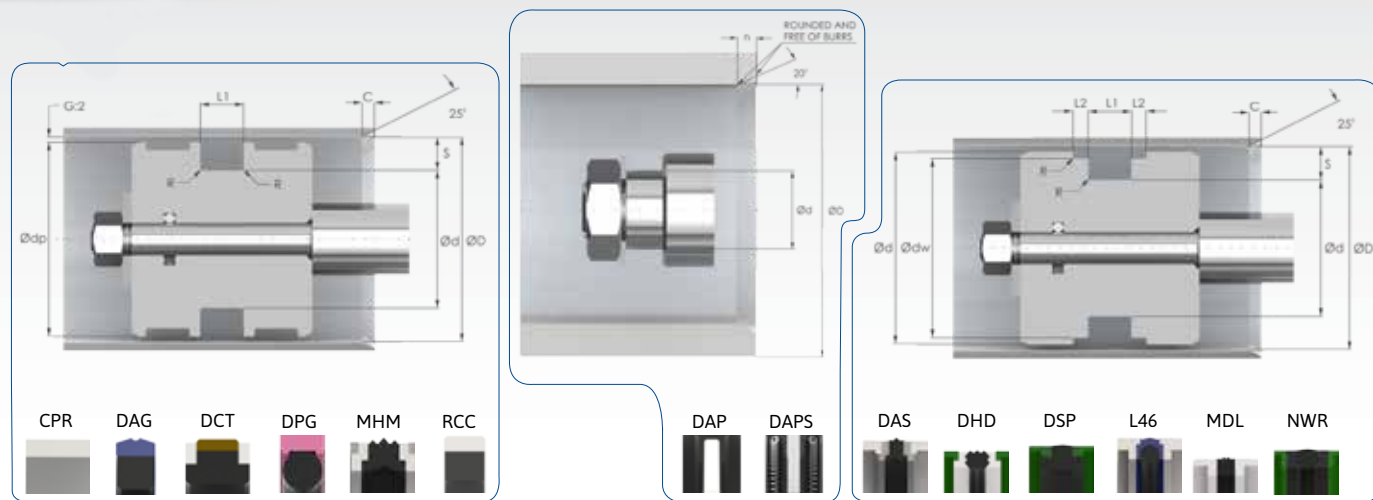


PART N°	PROFILE	HOUSING DIMENSIONS						REFERENCE N°	ALTERNATIVE REFERENCE
		ØD	Ød	L1	L2	Ødw	Ødp		
LDAI118068-645	LDA	1.187	0.687	0.645			1.182		
LDAI131081-645	LDA	1.187	0.687	0.770			1.182		
LWRI118068-770	LWR	1.187	0.812	0.770	0.250	1.050	1.155		
RDAI118093-196	RDA	1.187	0.937	0.196			1.177	RDA118	
TDAI118094-185	TDA	1.187	0.943	0.185			1.183	RZ8612	TRP118
RDAI125075-328	RDA	1.250	0.750	0.328			1.240	RDA125-2	
NWRI125075-640	NWR	1.250	0.750	0.640	0.250	1.111	1.218		
LDAI125075-1245	LDA	1.250	0.750	0.645			1.245	RZ3471	LD13-BU
NWRI125075-765	NWR	1.250	0.750	0.765	0.245	1.115	1.218		
LWRI125075-770	LWR	1.250	0.750	0.770	0.250	1.113	1.218	RZ3593	LD13-WR
RDAI125087-263	RDA	1.250	0.875	0.263			1.240	RDA125-1	
JWRI125087-437	JWR	1.250	0.875	0.437	0.250	1.062	1.190	RZL125	LS-125WR
JDAI125087-437	JDA	1.250	0.875	0.437			1.245	RL0477	LS-125
SPRI125088-129	SPR	1.250	0.883	0.129			1.249		
DASI125094-035	DAS	1.250	0.937	0.348	0.125	1.079	1.187	R59272	
SPGI125094-128	SPG	1.250	0.940	0.128			1.249	RZ8262	
DAGI125094-129	DAG	1.250	0.941	0.129			1.245	RZ8184	
SPGI125099-083	SPG	1.250	0.991	0.083			1.249	RZ8263	
RDAI125100-187	RDA	1.250	1.000	0.187			1.240	RDA125-3	
RDAI125100-196	RDA	1.250	1.000	0.196			1.240	RDA125	
TDAI125100-185	TDA	1.250	1.006	0.185			1.246	RZ8004	TRP125-2
LWRI131081-770	LWR	1.312	0.812	0.645	0.250	1.175	1.280		
LDAI143093-645	LDA	1.312	0.812	0.645			1.307		
TDAI131106-185	TDA	1.312	1.068	0.185			1.308	RZ8613	TRP131
RDAI137087-328	RDA	1.375	0.875	0.328			1.365	RDA137-1	
LDAI137087-1370	LDA	1.375	0.875	0.645			1.370	RZ3473	LD15-BU
NWRI137087-750	NWR	1.375	0.875	0.765	0.250	1.241	1.343	RZ8576	
LWRI137087-770	LWR	1.375	0.875	0.770	0.250	1.238	1.343	RZ3595	LD15-WR
RDAI137100-263	RDA	1.375	1.000	0.263			1.365	RDA137-2	
JWRI137100-437	JWR	1.375	1.000	0.437	0.250	1.187	1.315	RZL137	LS-137WR
JDAI137100-437	JDA	1.375	1.000	0.437			1.370	RL0479	LS-137
SPGI137111-083	SPG	1.375	1.116	0.083			1.374		
RDAI137112-187	RDA	1.375	1.125	0.187			1.365	RDA137-3	
TDAI137113-185	TDA	1.375	1.132	0.185			1.371	RZ8353	TRP137
LWRI143093-770	LWR	1.437	0.937	0.770	0.250	1.300	1.405		
RDAI143118-196	RDA	1.437	1.187	0.196			1.427	RDA143	
TDAI143119-185	TDA	1.437	1.193	0.185			1.433	RZ8614	TRP143
SAQI150088-288	SAQ	1.500	0.884	0.288			1.492	RAQ024	
RCCI150096-282	RCC	1.500	0.962	0.282			1.420		
RDAI150100-394	RDA	1.500	1.000	0.394			1.490	RDA150-1	
LWRI150100-608	LWR	1.500	1.000	0.618	0.250	1.363	1.468		
DASI150100-063	DAS	1.500	1.000	0.625	0.250	1.360	1.458	RND001	
NWRI150100-640	NWR	1.500	1.000	0.640	0.250	1.360	1.460		
LDAI150100-1495	LDA	1.500	1.000	0.645			1.495	RZ3475	LD17-BU
NWRI150100-765	NWR	1.500	1.000	0.765	0.250	1.365	1.468	RZ4270	N17-WR

PART N°	PROFILE	HOUSING DIMENSIONS						REFERENCE N°	ALTERNATIVE REFERENCE
		ØD	Ød	L1	L2	Ødw	Ødp		
LWRI150100-770	LWR	1.500	1.000	0.770	0.250	1.371	1.468	RZ3597	LD17-WR
DSP150112-437	DSP	1.500	1.120	0.430			1.438		
RDAI150112-263	RDA	1.500	1.125	0.263			1.490	RDA150-2	
L46I150112-437	L46	1.500	1.125	0.437	0.150	1.325	1.471		
JWRI150112-437/1	JWR	1.500	1.125	0.437	0.250	1.321	1.440	RZJ150	LS-150/2 WR 0.250"
JWRI150112-437	JWR	1.500	1.125	0.437	0.375	1.312	1.440	RZL150	LS-150WR
JDAI150112-437	JDA	1.500	1.125	0.437			1.495	RLS150	LS-150/2
DASI150113-044	DAS	1.500	1.125	0.442	0.150	1.324	1.437	R50057	
DCTI150112-424	DCT	1.500	1.127	0.424			1.480		
DAGI150119-129	DAG	1.500	1.191	0.129			1.495	RZ8185	
SPGI150119-129	SPG	1.500	1.191	0.129			1.499	R85569	
SPGI150120-125	SPG	1.500	1.204	0.125			1.499	R89617	
SPGI150124-083	SPG	1.500	1.240	0.080			1.499		
RDAI150125-187	RDA	1.500	1.250	0.187			1.490	RDA150	
SDAI150125-187	SDA	1.500	1.250	0.187			1.496	RSS150	
RDAI150125-196	RDA	1.500	1.250	0.196			1.490	RDA150-3	
SWRI150125-437	SWR	1.500	1.250	0.437	0.250	1.312	1.437	RZSS15	SS-150-WR
TDAI150125-185	TDA	1.500	1.256	0.185			1.496	RZ8006	TRP150-2
SPGI150128-094	SPG	1.500	1.287	0.094			1.499		
CPRI150137-125	CPR	1.500	1.375	0.125					
RDAI156131-196	RDA	1.562	1.312	0.196			1.552	RDA156	
TDAI156131-185	TDA	1.562	1.318	0.185			1.558	RZ8615	TRP156
RDAI162100-394	RDA	1.625	1.000	0.394			1.615	RDA162-1	
LDAI162100-1619	LDA	1.625	1.000	0.770			1.619	RZ3476	LD18-BU
LWRI162100-958	LWR	1.625	1.000	0.958	0.250	1.425	1.562	RZ3598	LD18-WR
RDAI162112-394	RDA	1.625	1.125	0.394			1.615	RDA162-2	
NWRI162112-640	NWR	1.625	1.125	0.640	0.250	1.485	1.562		
SPGI162123-122	SPG	1.625	1.233	0.122			1.624		
RDAI162125-263	RDA	1.625	1.250	0.263			1.615	RDA162	
JWRI162125-437	JWR	1.625	1.250	0.437	0.375	1.436	1.565	RZL162	LS-162WR
JDAI162125-437	JDA	1.625	1.250	0.437			1.619	RL0481	LS-162
CPRI162137-094	CPR	1.625	1.375	0.094					
RDAI162137-196	RDA	1.625	1.375	0.196			1.615	RDA162-3	
TDAI162138-185	TDA	1.625	1.381	0.185			1.621	RZ8616	TRP162
DASI175100-075	DAS	1.750	1.000	0.750	0.250	1.570	1.696	RND002	
RDAI175112-394	RDA	1.750	1.125	0.394			1.740	RDA175-1	
LWRI175112-741	LWR	1.750	1.125	0.741	0.250	1.550	1.687		
DASI175113-075	DAS	1.750	1.125	0.750	0.250	1.570	1.698	RND003	
NWRI175112-765	NWR	1.750	1.125	0.765	0.250	1.570	1.710	RZ4271	N19-WR
LDAI175112-1744	LDA	1.750	1.125	0.770			1.744	RZ3477	LD19-BU
NWRI175112-952	NWR	1.750	1.125	0.952	0.250	1.552	1.687		
LWRI175112-958	LWR	1.750	1.125	0.958	0.250	1.550	1.687	RZ3599	LD19-WR
RDAI175125-394	RDA	1.750	1.250	0.394			1.740	RDA175-2	
SPGI175136-122	SPG	1.750	1.360	0.122			1.749	RZ8264	
RDAI175137-263	RDA	1.750	1.375	0.263			1.740	RDA175-3	

PISTON SEALS DOUBLE ACTING IMPERIAL

PISTON SEALS DOUBLE ACTING IMPERIAL

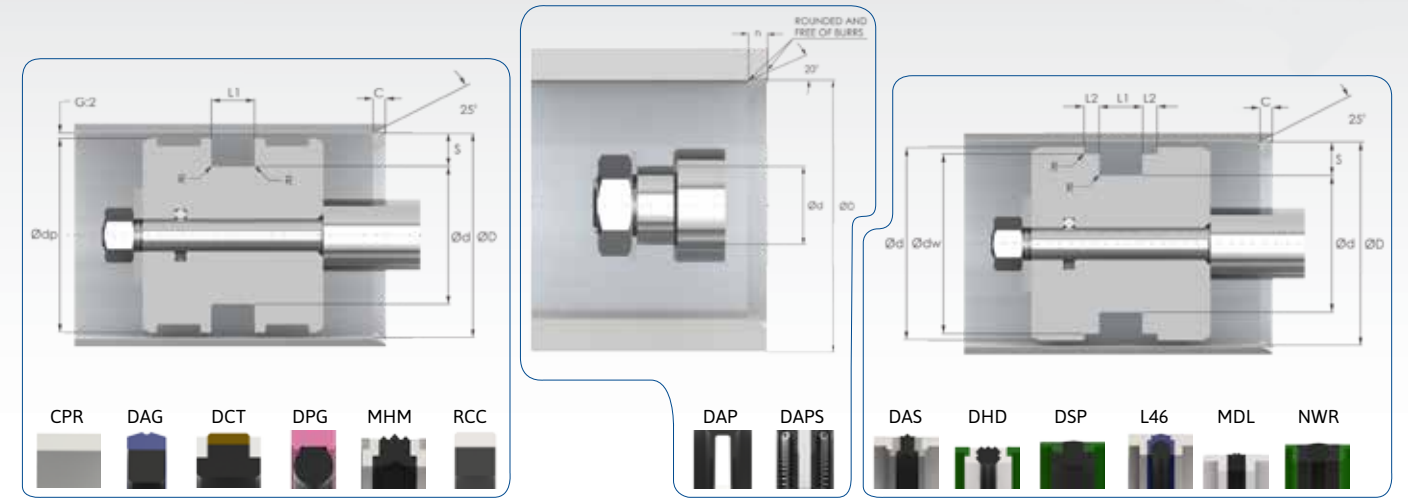
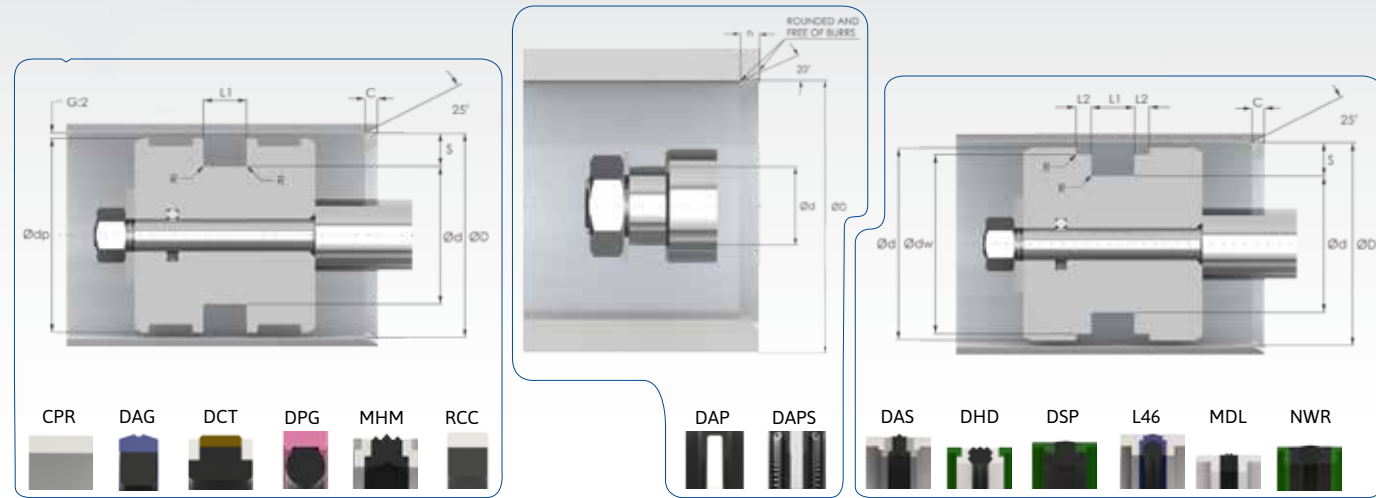


PART N°	PROFILE	HOUSING DIMENSIONS						REFERENCE N°	ALTERNATIVE REFERENCE
		ØD	Ød	L1	L2	Ødw	Ødp		
JWRI175137-437	JWR	1.750	1.375	0.437	0.375	1.561	1.690	RZL175	LS-175WR
JDAI175137-437	JDA	1.750	1.375	0.437			1.744	RLS175	LS-175/2
DASI175138-044	DAS	1.750	1.375	0.442	0.150	1.574	1.687	RND004	
DASI175138-049	DAS	1.750	1.375	0.490	0.250	1.638	1.710	RND005	
DCTI175137-424	DCT	1.750	1.377	0.424			1.730	RZ8139	
SPGI175144-128	SPG	1.750	1.440	0.128			1.749	RZ8265	
DAGI175144-128	DAG	1.750	1.441	0.128			1.745	RZ8186	
DAGI175150-185	DAG	1.750	1.500	0.185			1.745	RZ8550	
RDAI175150-187	RDA	1.750	1.500	0.187			1.740	RDA175-4	
TDAI175150-185	TDA	1.750	1.506	0.185			1.746	RZ8007	TRP175-2
CPRI175151-125	CPR	1.750	1.510	0.125				RZ8102	
RDAI187125-394	RDA	1.875	1.250	0.394			1.865	RDA187-1	
LDAI187125-1869	LDA	1.875	1.250	0.770			1.869	RZ3478	LD20-BU
LWRI187125-958	LWR	1.875	1.250	0.958	0.250	1.675	1.812	RZ3600	LD20-WR
NWRI187125-952	NWR	1.875	1.250	0.958	0.250	1.677	1.812		
RDAI187137-394	RDA	1.875	1.375	0.394			1.865	RDA187-2	
RDAI187150-281	RDA	1.875	1.500	0.281			1.865	RDA187	
RDAI187150-294	RDA	1.875	1.500	0.294			1.865	RDA187-4	
RDAI187150-328	RDA	1.875	1.500	0.328			1.865	RDA187-3	
JWRI187150-437	JWR	1.875	1.500	0.437	0.375	1.686	1.815	RZL187	LS-187WR
JDAI187150-437	JDA	1.875	1.500	0.437			1.869	RL0483	LS-187
TDAI187150-280	TDA	1.875	1.502	0.280			1.871	RZ8617	TRP187
RDAI200137-394	RDA	2.000	1.375	0.394			1.990	RDA200-1	
LWRI200137-741	LWR	2.000	1.375	0.741	0.250	1.800	1.937		
DASI200138-075	DAS	2.000	1.375	0.750	0.250	1.821	1.950	R59230	
NWRI200137-765	NWR	2.000	1.375	0.765	0.250	1.820	1.960		
LDAI200137-1994	LDA	2.000	1.375	0.770			1.994	RZ3479	LD21-BU
NWRI200137-952	NWR	2.000	1.375	0.952	0.250	1.802	1.937	RZ4272	N21-WR
LWRI200137-958	LWR	2.000	1.375	0.958	0.250	1.800	1.937	RZ3601	LD21-WR
SAQI200138-288	SAQ	2.000	1.384	0.288			1.988	RAQ032	
RCCI200146-282	RCC	2.000	1.462	0.282			1.935	R81000	
DAGI200146-283	DAG	2.000	1.462	0.283			1.995	RZ8187	
SPRI200150-250	SPR	2.000	1.500	0.250			1.999		
RDAI200150-328	RDA	2.000	1.500	0.328			1.990	RDA200-5	
RDAI200150-394	RDA	2.000	1.500	0.394			1.990	RDA200-2	
RDAI200150-526	RDA	2.000	1.500	0.526			1.990	RDA200-6	
JWRI200150-572/1	JWR	2.000	1.500	0.572	0.250	1.821	1.940	RZJ200	LS-200/2 WR 0.250"
JWRI200150-572	JWR	2.000	1.500	0.572	0.375	1.811	1.940	RZL200	LS-200WR
JDAI200150-572	JDA	2.000	1.500	0.572			1.994	RLS200	LS-200/2
SPGI200156-165	SPG	2.000	1.568	0.165			1.999	R58475	
DAGI200160-129	DAG	2.000	1.606	0.129			1.995	RZ8188	
SPGI200160-129	SPG	2.000	1.606	0.129			1.999	R86716	
DSPi200162-437	DSP	2.000	1.620	0.430			1.939		
DAGI200162-280	DAG	2.000	1.625	0.280			1.995	RZ8551	
RDAI200162-281	RDA	2.000	1.625	0.281			1.990	RDA200	

PART N°	PROFILE	HOUSING DIMENSIONS						REFERENCE N°	ALTERNATIVE REFERENCE
		ØD	Ød	L1	L2	Ødw	Ødp		
SDAI200162-281	SDA	2.000	1.625	0.281			1.996	RSS200	
RDAI200162-294	RDA	2.000	1.625	0.294			1.990	RDA200-7	
RDAI200162-328	RDA	2.000	1.625	0.328			1.990	RDA200-3	
RDAI200162-375	RDA	2.000	1.625	0.375			1.990	RDA200-4	
RDAI200162-411	RDA	2.000	1.625	0.411			1.990	RDA200-8	
L46I200162-437	L46	2.000	1.625	0.437	0.150	1.821	1.945		
DASI200163-044	DAS	2.000	1.625	0.437	0.150	1.824	1.937	RND007	
DASI200163-049	DAS	2.000	1.625	0.490	0.250	1.888	1.960	RND008	
SWRI200162-531	SWR	2.000	1.625	0.531	0.250	1.811	1.937	RZSS20	SS-200-WR
TDAI200162-280	TDA	2.000	1.627	0.280			1.996	RZ8009	TRP200-3
DCTI200162-424	DCT	2.000	1.627	0.424			1.980	RZ8140	
SPGI200169-128	SPG	2.000	1.690	0.128			1.999	RZ8267	
DAGI200169-129	DAG	2.000	1.691	0.129			1.995	R88578	
CPRI200175-125	CPR	2.000	1.750	0.125				RZ8103	
CPRI200175-187	CPR	2.000	1.750	0.187				R89254	
CPRI200185-125	CPR	2.000	1.850	0.125					
CPRI200187-188	CPR	2.000	1.870	0.188					
RDAI212150-526	RDA	2.125	1.500	0.526			2.115	RDA212-1	
NWRI212150-765	NWR	2.125	1.500	0.765	0.250	1.944	2.085		
LDAI212150-770	LDA	2.125	1.500	0.770			2.119	RZ3480	LD22-BU
LWRI212150-958	LWR	2.125	1.500	0.958	0.250	1.925	2.062	RZ3602	LD22-WR
RDAI212162-394	RDA	2.125	1.625	0.394			2.115	RDA212-2	
JWRI212162-572	JWR	2.125	1.625	0.572	0.375	1.936	2.065	RZL212	LS-212WR
JDAI212162-572	JDA	2.125	1.625	0.572			2.119	RL0485	LS-212
DAGI212170-280	DAG	2.125	1.750	0.280			2.120	RZ8552	
RDAI212175-281	RDA	2.125	1.750	0.281			2.115	RDA212-4	
RDAI212175-526	RDA	2.125	1.750	0.526			2.115	RDA212-5	
TDAI212175-280	TDA	2.125	1.752	0.280			2.121	RZ8618	TRP212
RDAI212187-281	RDA	2.125	1.875	0.281			2.115	RDA212	
RDAI212187-296	RDA	2.125	1.875	0.296			2.115	RDA202	
RDAI212187-317	RDA	2.125	1.875	0.317			2.115	RDA212-6	
RDAI212187-328	RDA	2.125	1.875	0.328			2.115	RDA212-3	
RDAI225162-526	RDA	2.250	1.625	0.526			2.240	RDA225-1	
LWRI225162-741	LWR	2.250	1.625	0.741	0.250	2.050	2.187		
DASI225163-075	DAS	2.250	1.625	0.750	0.250	2.069	2.200	RND010	
LDAI225162-770	LDA	2.250	1.625	0.770			2.244	RZ3481	LD23-BU
NWRI225162-952	NWR	2.250	1.625	0.952	0.250	2.052	2.187	RZ4273	N23-WR
LWRI225162-958	LWR	2.250	1.625	0.958	0.250	2.050	2.187	RZ3603	LD23-WR
SAQI225163-288	SAQ	2.250	1.630	0.288			2.238	RAQ036	
RCCI225171-282	RCC	2.250	1.712	0.282			2.185	R81001	
RDAI225175-394	RDA	2.250	1.750	0.394			2.240	RDA225-2	
JWRI225175-572	JWR	2.250	1.750	0.572	0.375	2.061	2.190	RZL225	LS-225WR
JDAI225175-572	JDA	2.250	1.750	0.572			2.244	RL0486	LS-225
SPRI225175-250	SPR	2.250	1.755	0.250			2.249		
SPGI225181-165	SPG	2.250	1.816	0.165			2.249		

PISTON SEALS DOUBLE ACTING IMPERIAL

PISTON SEALS DOUBLE ACTING IMPERIAL

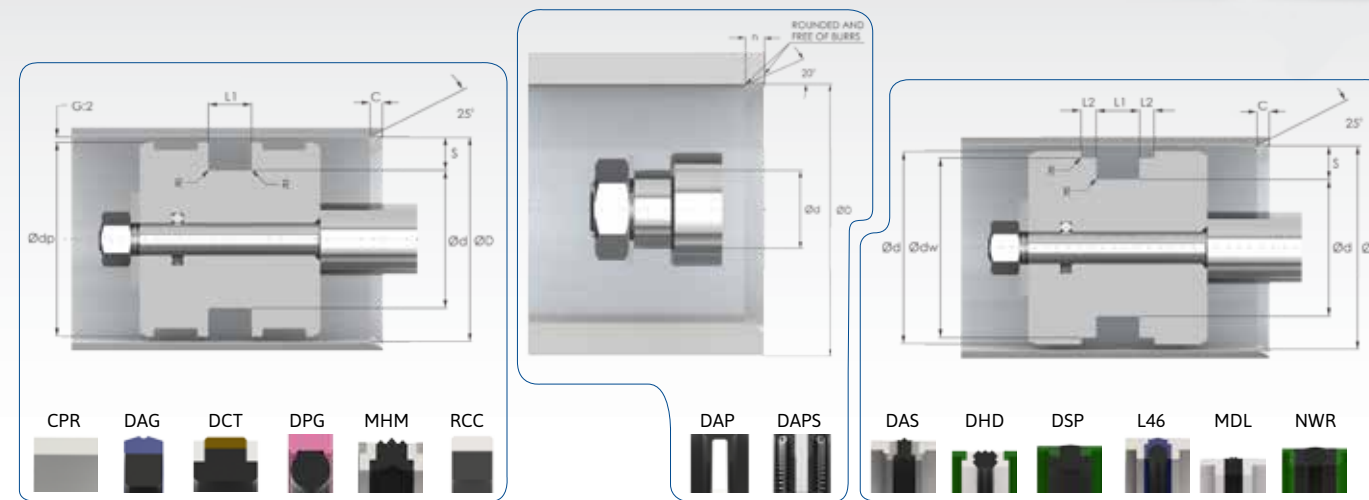
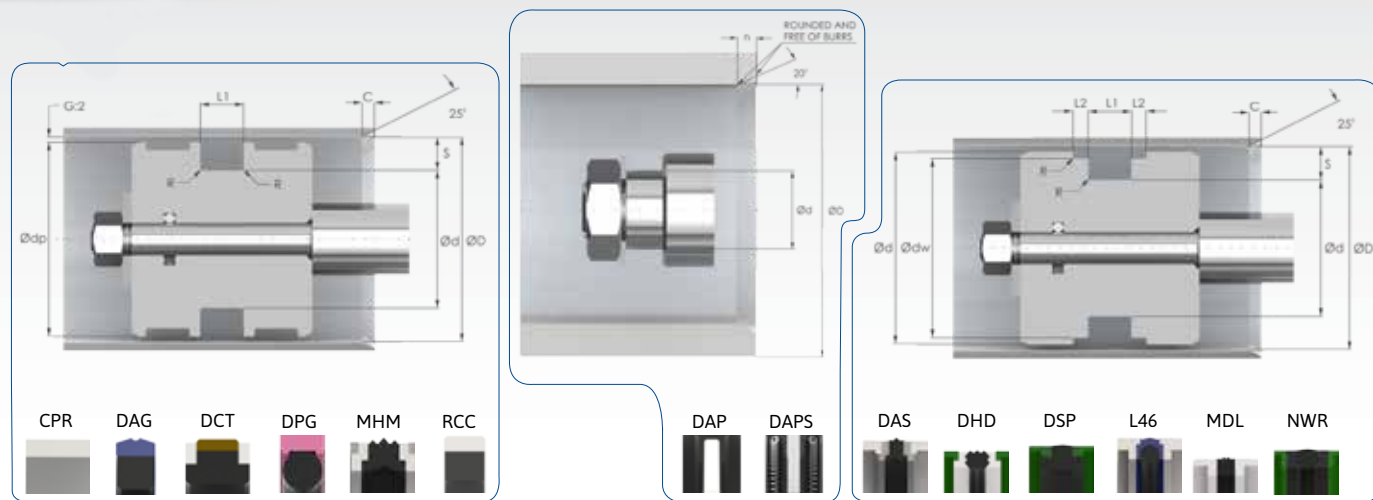


PART N°	PROFILE	HOUSING DIMENSIONS						REFERENCE N°	ALTERNATIVE REFERENCE
		ØD	Ød	L1	L2	Ødw	Ødp		
SPGI225185-130	SPG	2.250	1.856	0.130			2.249	R54622	
DSPI225187-437	DSP	2.250	1.870	0.430			2.189		
DAGI225187-280	DAG	2.250	1.875	0.280			2.245	RZ8553	
RDAI225187-281	RDA	2.250	1.875	0.281			2.240	RDA225	
RDAI225187-294	RDA	2.250	1.875	0.294			2.240	RDA225-5	
RDAI225187-328	RDA	2.250	1.875	0.328			2.240	RDA225-3	
DASI225188-044	DAS	2.250	1.875	0.437	0.250	2.075	2.187	R86096	
RDAI225187-526	RDA	2.250	1.875	0.526			2.240	RDA225-4	
TDAI225187-280	TDA	2.250	1.877	0.280			2.246	RZ8355	TRP225
DAGI225194-129	DAG	2.250	1.941	0.129			2.245	RZ8189	
SPGI225194-129	SPG	2.250	1.941	0.129			2.249	R86876	
CPRI225205-125	CPR	2.250	2.050	0.125					
DAGI237200-280	DAG	2.373	2.000	0.280			2.368	RZ8554	
RDAI237175-526	RDA	2.375	1.750	0.526			2.365	RDA237-1	
DASI238175-075	DAS	2.375	1.750	0.750	0.250	2.194	2.322	RND011	
NWRI237175-765	NWR	2.375	1.750	0.765	0.250	2.194	2.335		
LDAI237175-770	LDA	2.375	1.750	0.770			2.369	RZ3482	LD24-BU
NWRI237175-952	NWR	2.375	1.750	0.952	0.245	2.177	2.335		
LWRI237175-958	LWR	2.375	1.750	0.958	0.250	2.175	2.312	RZ3604	LD24-WR
RDAI237187-394	RDA	2.375	1.875	0.394			2.365	RDA237-2	
JWRI237187-572	JWR	2.375	1.875	0.572	0.375	2.186	2.315	RZL237	LS-237WR
JDAI237187-572	JDA	2.375	1.875	0.572			2.369	RL0487	LS-237
TDAI237200-280	TDA	2.375	2.000	0.280			2.371	RZ8619	TRP237
RDAI237200-281	RDA	2.375	2.000	0.281			2.365	RDA237	
RDAI237200-328	RDA	2.375	2.000	0.328			2.365	RDA237-3	
RDAI237200-394	RDA	2.375	2.000	0.394			2.365	RDA237-4	
DASI238200-044	DAS	2.375	2.000	0.437	0.150	2.200	2.312	R88408	
RDAI250187-526	RDA	2.500	1.875	0.526			2.490	RDA250-1	
LWRI250187-741	LWR	2.500	1.875	0.741	0.250	2.300	2.437		
DASI250188-075	DAS	2.500	1.875	0.750	0.250	2.319	2.445	R59241	
NWRI250187-765	NWR	2.500	1.875	0.765	0.250	2.319	2.460		
LDAI250187-770	LDA	2.500	1.875	0.770			2.494	RZ3483	LD25-BU
NWRI250187-952	NWR	2.500	1.875	0.952	0.250	2.302	2.460	RZ4274	N25-WR
LWRI250187-958	LWR	2.500	1.875	0.958	0.250	2.300	2.437	RZ3605	LD25-WR
DASI250188-096	DAS	2.500	1.875	0.958	0.250	2.300	2.445	R59246	
SAQI250188-288	SAQ	2.500	1.884	0.288			2.488	RAQ040	
RCCI250196-282	RCC	2.500	1.962	0.282			2.435	R81002	
DAGI250196-283	DAG	2.500	1.962	0.283			2.495	RZ8190	
SPRI250200-250	SPR	2.500	2.000	0.250			2.499		
RDAI250200-394	RDA	2.500	2.000	0.394			2.490	RDA250-2	
RDAI250200-526	RDA	2.500	2.000	0.526			2.490	RDA250-5	
JWRI250200-572/1	JWR	2.500	2.000	0.572	0.250	2.321	2.440	RZJ250	LS-250/2 WR 0.250"
JWRI250200-572	JWR	2.500	2.000	0.572	0.375	2.311	2.440	RZL250	LS-250WR
JDAI250200-572	JDA	2.500	2.000	0.572			2.494	RLS250	LS-250/2
DSPI250200-625	DSP	2.500	2.000	0.620			2.439		

PART N°	PROFILE	HOUSING DIMENSIONS						REFERENCE N°	ALTERNATIVE REFERENCE
		ØD	Ød	L1	L2	Ødw	Ødp		
DASI250200-065	DAS	2.500	2.000	0.650	0.250	2.320	2.460	RND012	
SPGI250206-165	SPG	2.500	2.068	0.165			2.499	R85447	
SPGI250210-129	SPG	2.500	2.106	0.129			2.499	R59348	
RDAI250212-263	RDA	2.500	2.125	0.263			2.490	RDA250-6	
DAGI250212-280	DAG	2.500	2.125	0.280			2.495	RZ8555	
RDAI250212-281	RDA	2.500	2.125	0.281			2.490	RDA250	
SDAI250212-281	SDA	2.500	2.125	0.281			2.496	RSS250	
RDAI250212-294	RDA	2.500	2.125	0.294			2.490	RDA250-7	
RDAI250212-328	RDA	2.500	2.125	0.328			2.490	RDA250-3	
RDAI250212-394	RDA	2.500	2.125	0.394			2.490	RDA250-4	
RDAI250212-411	RDA	2.500	2.125	0.411			2.490	RDA250-9	
L46I250212-437	L46	2.500	2.125	0.437	0.150	2.320	2.445		
DASI250213-044	DAS	2.500	2.125	0.437	0.150	2.325	2.437	RND013	
SWRI250212-531	SWR	2.500	2.125	0.531	0.250	2.311	2.437	RZSS25	SS-250-WR
TDAI250212-280	TDA	2.500	2.127	0.280			2.496	RZ8011	TRP250-3
DCTI250212-424	DCT	2.500	2.127	0.424			2.480	RZ8141	
DAGI250219-129	DAG	2.500	2.191	0.129			2.495	RZ8192	
SPGI250219-129	SPG	2.500	2.191	0.129			2.499	R58528	
CPRI250220-188	CPR	2.500	2.206	0.188				RZ8107	
DSPI250212-437	DSP	2.500	2.210	0.430			2.439		
SPGI250222-126	SPG	2.500	2.223	0.126			2.498	R89037	
RDAI262200-526	RDA	2.625	2.000	0.526			2.615	RDA262-1	
NWRI262200-765	NWR	2.625	2.000	0.765	0.250	2.443	2.585		
DASI263200-077	DAS	2.625	2.000	0.765	0.250	2.445	2.571	RND014	
LDAI262200-770	LDA	2.625	2.000	0.770			2.619	RZ3484	LD26-BU
NWRI262200-952	NWR	2.625	2.000	0.952	0.245	2.428	2.585		
LWRI262200-958	LWR	2.625	2.000	0.958	0.250	2.425	2.562	RZ3606	LD26-WR
RDAI262212-394	RDA	2.625	2.125	0.394			2.615	RDA262-2	
JWRI262212-572	JWR	2.625	2.125	0.572	0.375	2.436	2.565	RZL262	LS-262WR
JDAI262212-572	JDA	2.625	2.125	0.572			2.619	RL0489	LS-262
RDAI262225-281	RDA	2.625	2.250	0.281			2.615	RDA262	
RDAI262225-328	RDA	2.625	2.250	0.328			2.615	RDA262-3	
RDAI262225-394	RDA	2.625	2.250	0.394			2.615	RDA262-4	
TDAI262225-280	TDA	2.625	2.252	0.280			2.621	RZ8620	TRP262
LWRI275200-867	LWR	2.750	2.000	0.867	0.250	2.480	2.687		
DASI275200-094	DAS	2.750	2.000	0.937	0.250	2.524	2.690	RND015	
NWRI275200-952	NWR	2.750	2.000	0.952	0.250	2.522	2.710		
LDAI275200-958	LDA	2.750	2.000	0.958			2.742	RZ3485	LD27-BU
NWRI275200-1202	NWR	2.750	2.000	1.202	0.250	2.482	2.687	RZ4275	N27-WR
LWRI275200-1208	LWR	2.750	2.000	1.208	0.250	2.480	2.687	RZ3607	LD27-WR
DHDI275200-137	DHD	2.750	2.000	1.375	0.375	2.552	2.685		
RDAI275212-526	RDA	2.750	2.125	0.526			2.740	RDA275-1	
SPRI275213-250	SPR	2.750	2.130	0.250			2.749		
SAQI275213-288	SAQ	2.750	2.130	0.288			2.738	RAQ044	
RCCI275221-282	RCC	2.750	2.212	0.282			2.685	R81003	

PISTON SEALS DOUBLE ACTING IMPERIAL

PISTON SEALS DOUBLE ACTING IMPERIAL

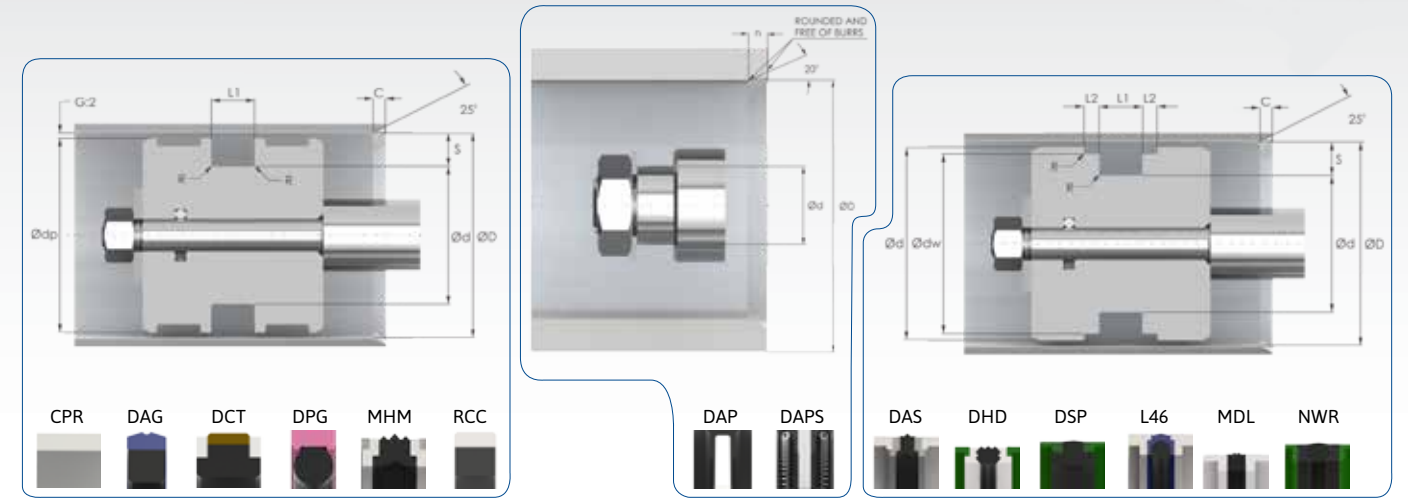
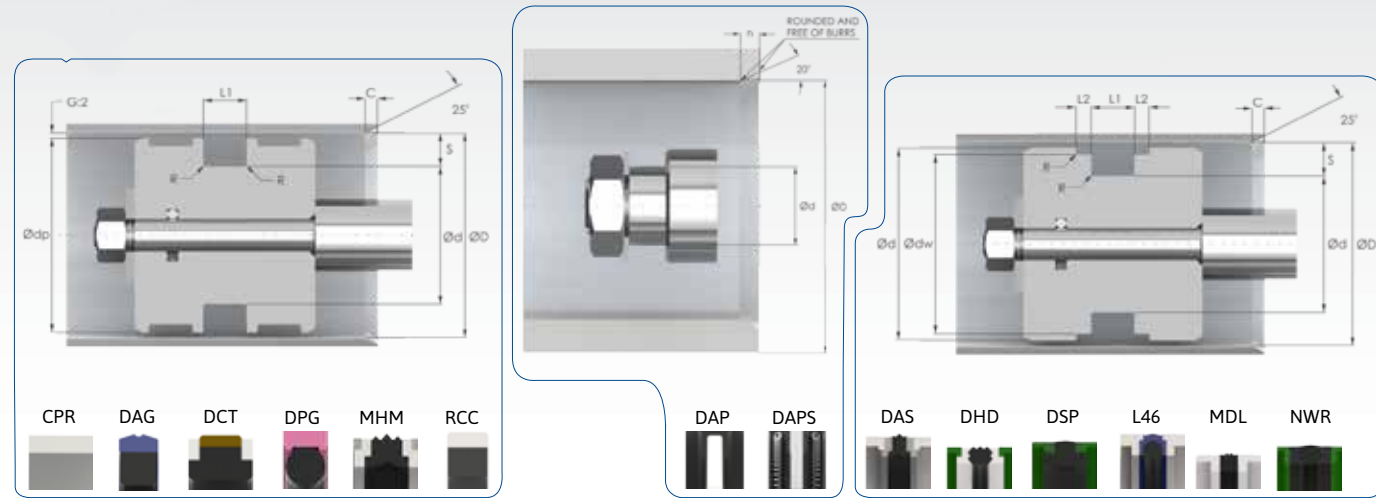


PART N°	PROFILE	HOUSING DIMENSIONS						REFERENCE N°	ALTERNATIVE REFERENCE
		ØD	Ød	L1	L2	Ødw	Ødp		
RDAI275225-394	RDA	2.750	2.250	0.394			2.740	RDA275-2	
JWRI275225-572	JWR	2.750	2.250	0.572	0.375	2.559	2.690	RZL275	LS-275WR
JDAI275225-572	JDA	2.750	2.250	0.572			2.742	RL0490	LS-275
DASI275225-065	DAS	2.750	2.250	0.650	0.250	2.522	2.710	RND016	
SPGI275235-130	SPG	2.750	2.356	0.130			2.749	RZ8269	
SPGI275237-192	SPG	2.750	2.375	0.192			2.749	RZ8270	
DAGI275237-280	DAG	2.750	2.375	0.280			2.745	RZ8556	
RDAI275237-281	RDA	2.750	2.375	0.281			2.740	RDA275	
RDAI275237-328	RDA	2.750	2.375	0.328			2.740	RDA275-3	
RDAI275237-394	RDA	2.750	2.375	0.394			2.740	RDA275-4	
DASI275238-044	DAS	2.750	2.375	0.437	0.150	2.570	2.687	RND017	
TDAI275237-280	TDA	2.750	2.377	0.280			2.746	RZ8621	TRP275
DCTI275242-424	DCT	2.750	2.427	0.424			2.730		
SPGI275244-128	SPG	2.750	2.440	0.128			2.749	RZ8271	
DAGI275244-129	DAG	2.750	2.441	0.129			2.745	RZ8193	
NWRI287212-952	NWR	2.875	2.125	0.952	0.250	2.647	2.835		
LDAI287212-958	LDA	2.875	2.125	0.958			2.867	RZ3486	LD28-BU
LWRI287212-1208	LWR	2.875	2.125	1.208	0.250	2.605	2.812	RZ3608	LD28-WR
RDAI287225-526	RDA	2.875	2.250	0.526			2.865	RDA287-1	
RDAI287237-394	RDA	2.875	2.375	0.394			2.865	RDA287-2	
JWRI287237-572	JWR	2.875	2.375	0.572	0.375	2.684	2.815	RZL287	LS-287WR
JDAI287237-572	JDA	2.875	2.375	0.572			2.867	RL0491	LS-287
RDAI287237-591	RDA	2.875	2.375	0.591			2.865	RDA287-4	
RDAI287250-281	RDA	2.875	2.500	0.281			2.865	RDA287	
RDAI287250-328	RDA	2.875	2.500	0.328			2.865	RDA287-3	
RDAI287250-394	RDA	2.875	2.500	0.394			2.865	RDA287-5	
TDAI287250-280	TDA	2.875	2.502	0.280			2.871	RZ8622	TRP287
LWRI300225-867	LWR	3.000	2.250	0.867	0.250	2.730	2.937		
DASI300225-094	DAS	3.000	2.250	0.937	0.250	2.774	2.940	R59231	
NWRI300225-952	NWR	3.000	2.250	0.952	0.250	2.772	2.960		
LDAI300225-958	LDA	3.000	2.250	0.958			2.992	RZ3487	LD29-BU
NWRI300225-985	NWR	3.000	2.250	0.969	0.250	2.730	2.960		
NWRI300225-1140	NWR	3.000	2.250	1.140	0.250	2.772	2.937		
NWRI300225-1202	NWR	3.000	2.250	1.202	0.250	2.732	2.937	RZ4276	N29-WR
LWRI300225-1208	LWR	3.000	2.250	1.208	0.250	2.730	2.937	RZ3609	LD29-WR
RDAI300237-526	RDA	3.000	2.375	0.526			2.990	RDA300-1	
DASI300238-078	DAS	3.000	2.375	0.775	0.250	2.774	2.960	RND019	
SPRI300238-250	SPR	3.000	2.380	0.250			2.999		
SPRI300238-250/1	SPR	3.000	2.380	0.250			2.999		
RDAI300238-220	RDA	3.000	2.384	0.220			2.990	RDA300-5	
SAQI300238-288	SAQ	3.000	2.384	0.288			2.988	RAQ048	
RCCI300240-312	RCC	3.000	2.408	0.312			2.920	R81017	
SPGI300243-250	SPG	3.000	2.433	0.250			2.984	RLS048	S.G.R.-48
RCCI300244-282	RCC	3.000	2.442	0.282			2.920	R81004	
SPRI300244-282	SPR	3.000	2.442	0.282			2.999		

PART N°	PROFILE	HOUSING DIMENSIONS						REFERENCE N°	ALTERNATIVE REFERENCE
		ØD	Ød	L1	L2	Ødw	Ødp		
DCTI300244-420	DCT	3.000	2.442	0.420			2.980		
SPRI300246-283	SPR	3.000	2.462	0.283			2.999		
SPGI300249-275	SPG	3.000	2.490	0.275			2.984	RL003	L.G.R.- 3
RDAI300250-394	RDA	3.000	2.500	0.394			2.990	RDA301	
RDAI300250-526	RDA	3.000	2.500	0.526			2.990	RDA300-6	
JWRI300250-572/1	JWR	3.000	2.500	0.572	0.250	2.774	2.940	RZJ300	LS-300/2 WR 0.250"
JWRI300250-572	JWR	3.000	2.500	0.572	0.375	2.809	2.940	RZL300	LS-300WR
JDAI300250-572	JDA	3.000	2.500	0.572			2.992	RLS300	LS-300/2
RDAI300250-579	RDA	3.000	2.500	0.579			2.990	RDA300-7	
DCTI300252-579	DCT	3.000	2.522	0.579			2.980	RZ8142	
SPGI300256-165	SPG	3.000	2.568	0.165			2.998	RZ8273	
DAGI300260-130	DAG	3.000	2.606	0.130			2.995		
SPGI300260-130	SPG	3.000	2.606	0.130			2.998	RZ8274	
DAGI300262-280	DAG	3.000	2.625	0.280			2.995	RZ8557	
RDAI300262-281	RDA	3.000	2.625	0.281			2.990	RDA300	
SDAI300262-281	SDA	3.000	2.625	0.281			2.996	RSS300	
RDAI300262-294	RDA	3.000	2.625	0.294			2.990	RDA300-4	
RDAI300262-328	RDA	3.000	2.625	0.328			2.990	RDA300-3	
RDAI300262-411	RDA	3.000	2.625	0.411			2.990	RDA300-8	
DCTI300262-424	DCT	3.000	2.625	0.424			2.980		
L46I300262-437	L46	3.000	2.625	0.437	0.150	2.820	2.945		
DASI300263-044	DAS	3.000	2.625	0.437	0.150	2.825	2.937	RND020	
SWRI300262-531	SWR	3.000	2.625	0.531	0.250	2.809	2.937	RZSS30	SS-300-WR
TDAI300262-280	TDA	3.000	2.627	0.280			2.996	RZ8013	TRP300-3
DAGI300263-410	DAG	3.000	2.627	0.410			2.995		
CPRI300268-188	CPR	3.000	2.680	0.188				RZ8111	
JWRI310250-572	JWR	3.100	2.500	0.572	0.375	2.909	3.040	RZL310	LS-310WR
JDAI310250-572	JDA	3.100	2.500	0.572			3.092	RL4725	LS-310
NWRI312237-952	NWR	3.125	2.375	0.952	0.250	2.896	3.062		
LDAI312237-958	LDA	3.125	2.375	0.958			3.117	RZ3488	LD30-BU
LWRI312237-1208	LWR	3.125	2.375	1.208	0.250	2.855	3.062	RZ3610	LD30-WR
JWRI312262-572	JWR	3.125	2.625	0.572	0.375	2.934	3.065	RZL312	LS-312WR
JDAI312262-572	JDA	3.125	2.625	0.572			3.117	RL0493	LS-312
DAGI312275-280	DAG	3.125	2.750	0.280			3.120	RZ8558	
RDAI312275-281	RDA	3.125	2.750	0.281			3.115	RDA312	
TDAI312275-280	TDA	3.125	2.752	0.280			3.121	RZ8623	TRP312
JWRI318268-572	JWR	3.187	2.687	0.572	0.375	2.996	3.127	RZL318	LS-318WR
JDAI318268-572	JDA	3.187	2.687	0.572			3.179	RL4726	LS-318
LWRI325250-867	LWR	3.250	2.500	0.867	0.250	2.980	3.187		
DASI325250-094	DAS	3.250	2.500	0.937	0.250	3.021	3.190	R50060	
LDAI325250-958	LDA	3.250	2.500	0.958			3.242	RZ3489	LD31-BU
NWRI325250-1202	NWR	3.250	2.500	1.202	0.250	2.982	3.187	RZ4277	N31-WR
LWRI325250-1208	LWR	3.250	2.500	1.208	0.250	2.980	3.187	RZ3611	LD31-WR
RDAI325262-526	RDA	3.250	2.625	0.526			3.240	RDA325-1	
DASI325263-078	DAS	3.250	2.625	0.775	0.250	3.021	3.184	R57210	

PISTON SEALS DOUBLE ACTING IMPERIAL

PISTON SEALS DOUBLE ACTING IMPERIAL

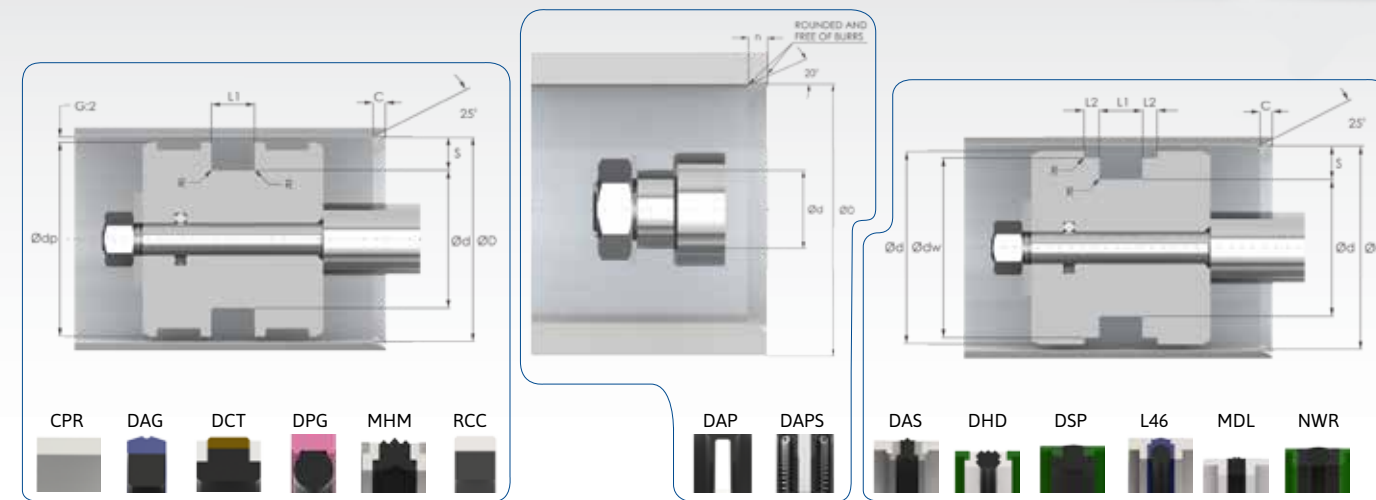
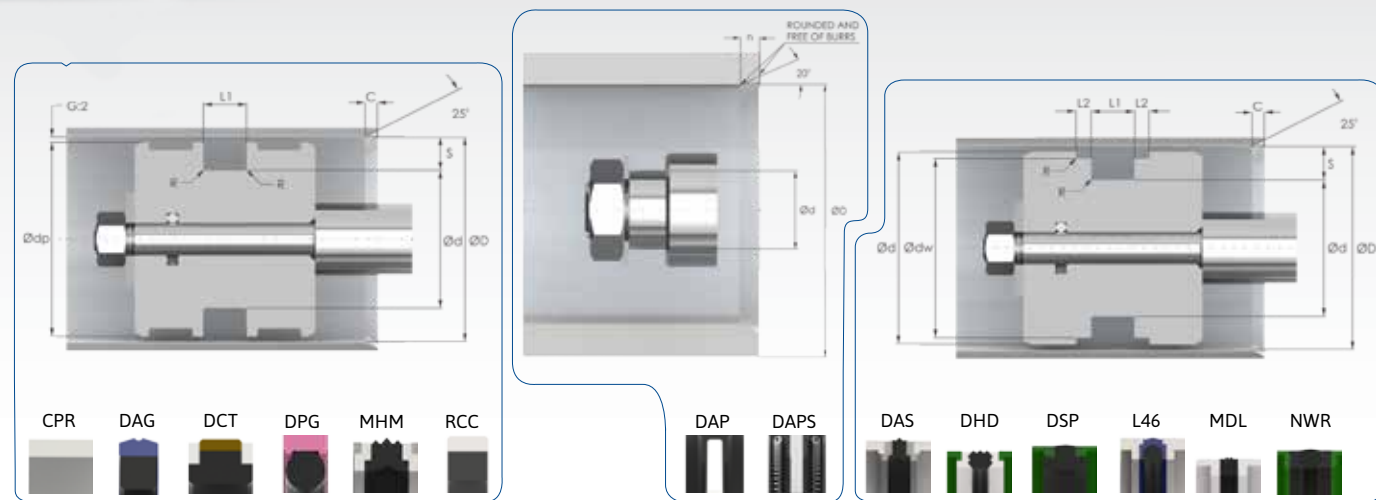


PART N°	PROFILE	HOUSING DIMENSIONS						REFERENCE N°	ALTERNATIVE REFERENCE
		ØD	Ød	L1	L2	Ødw	Ødp		
SPRI325263-250	SPR	3.250	2.630	0.250			3.249		
SPRI325263-250/1	SPR	3.250	2.630	0.250			3.249		
SAQI325263-288	SAQ	3.250	2.634	0.288			3.238	RAQ052	
SPGI325264-250	SPG	3.250	2.640	0.250			3.248	RZ8275	
SPGI325268-250	SPG	3.250	2.683	0.250			3.234	RLS052	S.G.R.-52
SPRI325269-280	SPR	3.250	2.692	0.280			3.249	RZ8276	
RCCI325269-282	RCC	3.250	2.692	0.282			3.170	R81005	
DAGI325271-283	DAG	3.250	2.712	0.283			3.245	RZ8195	
RDAI325275-394	RDA	3.250	2.750	0.394			3.240	RDA325-2	
RDAI325275-526	RDA	3.250	2.750	0.526			3.240	RDA325-4	
JWRI325275-572	JWR	3.250	2.750	0.572	0.375	3.059	3.190	RZL325	LS-325WR
JDAI325275-572	JDA	3.250	2.750	0.572			3.242	RLS325	LS-325/2
DASI325275-582	DAS	3.250	2.750	0.582	0.250	3.059	3.184		
DCTI325277-579	DCT	3.250	2.772	0.579			3.230	RZ8143	
SPGI325285-130	SPG	3.250	2.856	0.130			3.248	RZ8278	
DAGI325287-280	DAG	3.250	2.875	0.280			3.245	RZ8559	
RDAI325287-281	RDA	3.250	2.875	0.281			3.240	RDA325	
RDAI325287-328	RDA	3.250	2.875	0.328			3.240	RDA325-3	
DASI325288-044	DAS	3.250	2.875	0.437	0.250	3.075	3.187	R86097	
TDAI325287-280PU	TDA	3.250	2.877	0.280			3.246		
TDAI325287-280	TDA	3.250	2.877	0.280			3.246	RZ8014	TRP325-3
CPRI325291-188	CPR	3.250	2.914	0.188				RZ8113	
NWRI337262-1202	NWR	3.375	2.625	1.202	0.250	3.107	3.312		
TDAI337300-280	TDA	3.375	3.003	0.280			3.371	RZ8624	TRP337
LWRI350275-867	LWR	3.500	2.750	0.867	0.250	3.230	3.437		
DASI350275-094	DAS	3.500	2.750	0.937	0.250	3.274	3.440	R59232	
NWRI350275-952	NWR	3.500	2.750	0.952	0.250	3.271	3.437		
LDAI350275-958	LDA	3.500	2.750	0.958			3.492	RZ3490	LD32-BU
NWRI350275-1202	NWR	3.500	2.750	1.202	0.250	2.232	3.437	RZ4278	N32-WR
LWRI350275-1208	LWR	3.500	2.750	1.208	0.250	3.230	3.437	RZ3612	LD32-WR
DASI350275-121	DAS	3.500	2.750	1.208	0.250	3.230	3.440	RND031	
DASI350285-078	DAS	3.500	2.850	0.775	0.295	3.271	3.460	RND021	
RDAI350287-526	RDA	3.500	2.875	0.526			3.490	RDA350-1	
RDAI350288-220	RDA	3.500	2.880	0.220			3.490	RDA350-5	
SPRI350288-250	SPR	3.500	2.880	0.250			3.499		
SAQI350288-288	SAQ	3.500	2.884	0.288			3.488	RAQ056	
SPGI350289-250	SPG	3.500	2.890	0.250			3.498	RZ8279	
SPGI350293-250	SPG	3.500	2.933	0.250			3.484	RLS056	S.G.R.-56
SPRI350294-280	SPR	3.500	2.942	0.280			3.499	RZ8280	
RCCI350294-282	RCC	3.500	2.942	0.282			3.420	R81006	
DAGI350296-283	DAG	3.500	2.962	0.283			3.495	RZ8196	
SPRI350296-283	SPR	3.500	2.962	0.283			3.499		
RDAI350300-394	RDA	3.500	3.000	0.394			3.490	RDA350-2	
RDAI350300-523	RDA	3.500	3.000	0.523			3.490	RDA350-4	
DASI350300-056	DAS	3.500	3.000	0.562	0.210	3.274	3.437	RND022	

PART N°	PROFILE	HOUSING DIMENSIONS						REFERENCE N°	ALTERNATIVE REFERENCE
		ØD	Ød	L1	L2	Ødw	Ødp		
L46I350300-569	L46	3.500	3.000	0.569	0.210	3.264	3.445		
JWRI350300-572/1	JWR	3.500	3.000	0.572	0.250	3.274	3.440	RZJ350	LS-350/2 WR 0.250"
JWRI350300-572	JWR	3.500	3.000	0.572	0.375	3.309	3.440	RZL350	LS-350WR
JDAI350300-572	JDA	3.500	3.000	0.572			3.492	RLS350	LS-350/2
DCTI350302-579	DCT	3.500	3.022	0.579			3.480	RZ8144	
SPGI350310-157	SPG	3.500	3.103	0.157			3.498	R15729	
SPGI350310-130	SPG	3.500	3.106	0.130			3.498	RZ8282	
DAGI350312-280	DAG	3.500	3.125	0.280			3.495	RZ8560	
RDAI350312-281	RDA	3.500	3.125	0.281			3.490	RDA350	
SDAI350312-281	SDA	3.500	3.125	0.281			3.496	RSS350	
RDAI350312-294	RDA	3.500	3.125	0.294			3.490	RDA350-6	
RDAI350312-328	RDA	3.500	3.125	0.328			3.490	RDA350-3	
SWRI350312-531	SWR	3.500	3.125	0.531	0.250	3.309	3.437	RZSS35	SS-350-WR
TDAI350312-280	TDA	3.500	3.128	0.280			3.496	RZ8015	TRP350-3
CPRI350314-188	CPR	3.500	3.148	0.188				RZ8115	
RCCI353294-282	RCC	3.530	2.940	0.282			3.450		
TDAI362325-280	TDA	3.625	2.250	0.280			3.621	RZ8625	TRP362
NWRI362287-1202	NWR	3.625	2.875	1.202	0.250	3.357	3.562		
DHDI362287-137	DHD	3.625	2.875	1.375	0.375	3.330	3.560		
RDAI362325-281	RDA	3.625	3.253	0.281			3.615	RDA362	
DASI375300-094	DAS	3.750	3.000	0.937	0.250	3.520	3.683	RND024	
NWRI375300-952	NWR	3.750	3.000	0.952	0.250	3.520	3.710		
LDAI375300-958	LDA	3.750	3.000	0.958			3.742	RZ3491	LD33-BU
NWRI375300-1202	NWR	3.750	3.000	1.202	0.250	3.482	3.687		
LWRI375300-1208	LWR	3.750	3.000	1.208	0.250	3.480	3.687	RZ3613	LD33-WR
RDAI375312-526	RDA	3.750	3.125	0.526			3.740	RDA375-1	
SPRI375313-250	SPR	3.750	3.130	0.250			3.749		
SPRI375313-250/1	SPR	3.750	3.130	0.250			3.749		
SPGI375318-250	SPG	3.750	3.183	0.250			3.734	RLS060	S.G.R.-60
SPGI375319-280	SPG	3.750	3.192	0.280			3.748	RZ8283	
RCCI375319-282	RCC	3.750	3.192	0.282			3.670	R81007	
SPGI375321-192	SPG	3.750	3.210	0.192			3.748	RZ8284	
DAGI375321-283	DAG	3.750	3.212	0.283			3.745	RZ8197	
RDAI375325-394	RDA	3.750	3.250	0.394			3.740	RDA375-2	
DASI375325-056	DAS	3.750	3.250	0.562	0.210	3.520	3.687	RZ8592	
JWRI375325-572	JWR	3.750	3.250	0.572	0.500	3.491	3.670	RZL375	LS-375WR
JDAI375325-572	JDA	3.750	3.250	0.572			3.742	RLS375	LS-375/2
DCTI375327-579	DCT	3.750	3.272	0.579			3.730	RZ8145	
DAGI375335-129	DAG	3.750	3.356	0.129			3.745		
SPGI375335-130	SPG	3.750	3.356	0.130			3.748	RZ8285	
DAGI375337-280	DAG	3.750	3.375	0.280			3.745		
RDAI375337-281	RDA	3.750	3.375	0.281			3.740	RDA375	
RDAI375337-294	RDA	3.750	3.375	0.294			3.740	RDA375-4	
RDAI375337-328	RDA	3.750	3.375	0.328			3.740	RDA375-3	
TDAI375337-280	TDA	3.750	3.378	0.280			3.746	RZ8626	TRP375

PISTON SEALS DOUBLE ACTING IMPERIAL

PISTON SEALS DOUBLE ACTING IMPERIAL

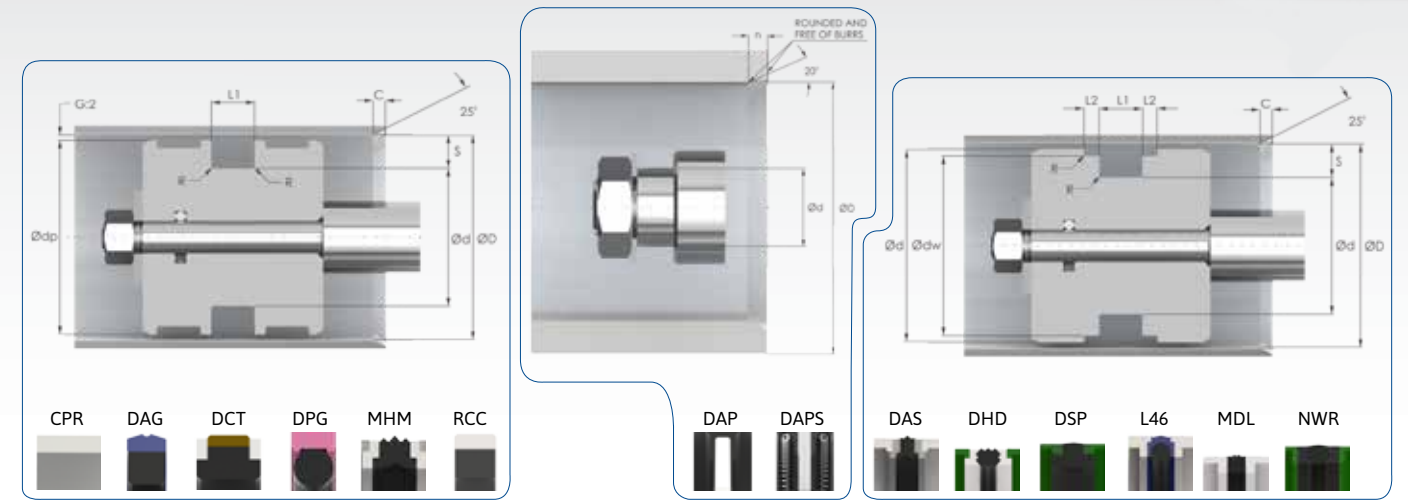
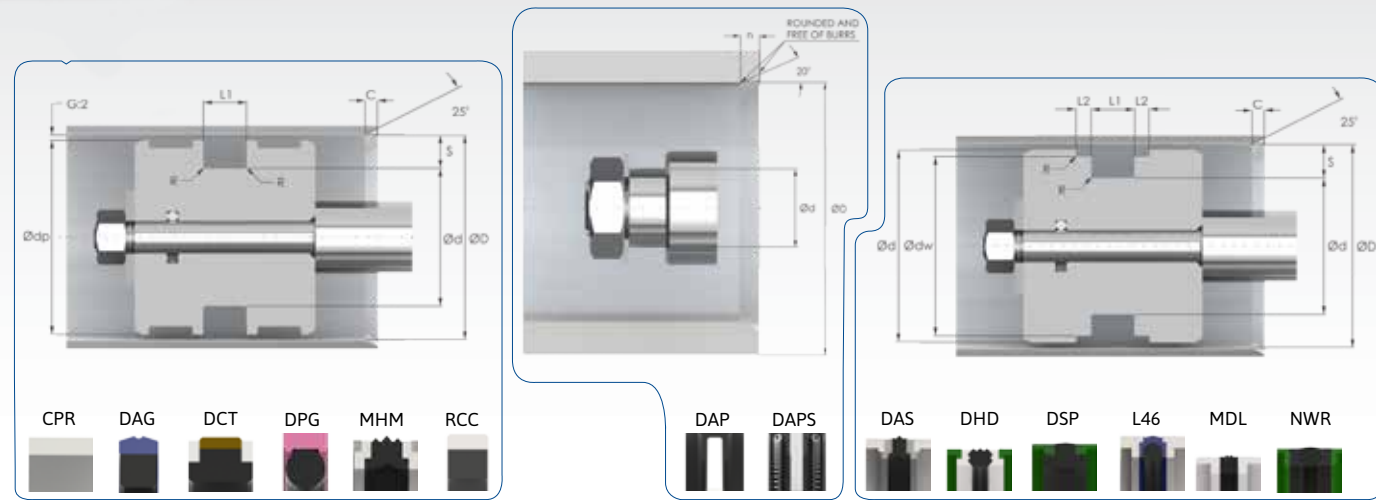


PART N°	PROFILE	HOUSING DIMENSIONS						REFERENCE N°	ALTERNATIVE REFERENCE
		ØD	Ød	L1	L2	Ødw	Ødp		
NWRI387312-952	NWR	3.875	3.125	0.952	0.250	3.646	3.835		
NWRI387312-1202	NWR	3.875	3.125	1.202	0.250	3.607	3.812		
RDAI387350-294	RDA	3.875	3.500	0.294			3.865	RDA387	
TDAI387350-280	TDA	3.875	3.503	0.280			3.871	RZ8627	TRP387
TDAI400325-270	TDA	4.000	3.250	0.281			3.996		
RDAI400325-523	RDA	4.000	3.250	0.523			3.990	RDA400-4	
RDAI400325-657	RDA	4.000	3.250	0.657			3.990	RDA400-1	
JWRI400325-765/1	JWR	4.000	3.250	0.765	0.250	3.773	3.920	RZJ400	LS-400/2 WR 0.250"
JWRI400325-765	JWR	4.000	3.250	0.765	0.500	3.743	3.920	RZL400	LS-400WR
JDAI400325-765	JDA	4.000	3.250	0.765			3.992	RLS400	LS-400/2
LWRI400325-867	LWR	4.000	3.250	0.867	0.250	3.730	3.937		
DASI400325-094	DAS	4.000	3.250	0.937	0.250	3.773	3.940	R59233	
NWRI400325-952	NWR	4.000	3.250	0.952	0.250	3.770	3.960		
LDAI400325-958	LDA	4.000	3.250	0.958			3.992	RZ3492	LD34-BU
NWRI400325-1202	NWR	4.000	3.250	1.202	0.250	3.732	3.937	RZ4279	N34-WR
LWRI400325-1208	LWR	4.000	3.250	1.208	0.250	3.730	3.937	RZ3614	LD34-WR
DASI400325-121	DAS	4.000	3.250	1.208	0.250	3.730	3.940	RND032	
DHDI400325-137	DHD	4.000	3.250	1.375	0.375	3.710	3.935		
SPGI400333-255	SPG	4.000	3.335	0.255			3.998	RZ8286	
RDAI400337-526	RDA	4.000	3.375	0.526			3.990	RDA400-2	
DASI400338-078	DAS	4.000	3.375	0.775	0.250	3.773	3.960	RND025	
RDAI400338-250	RDA	4.000	3.380	0.250			3.990	RDA400-5	
SPRI400338-250	SPR	4.000	3.380	0.250			3.999		
SPRI400338-250/1	SPR	4.000	3.380	0.250			3.999		
SAQI400338-288	SAQ	4.000	3.384	0.288			3.988	RAQ064	
SPGI400339-250	SPG	4.000	3.390	0.250			3.998	RZ8287	
RCCI400340-312	RCC	4.000	3.408	0.282			3.920		
SPGI400343-250	SPG	4.000	3.433	0.250			3.984	RLS064	S.G.R.-64
SPRI400344-280	SPR	4.000	3.442	0.280			3.999	RZ8288	
RCCI400344-282	RCC	4.000	3.442	0.282			3.920	R81008	
DAGI400346-283	DAG	4.000	3.462	0.283			3.995	RZ8198	
SPGI400349-275	SPG	4.000	3.490	0.275			3.984	RL004	L.G.R.- 4
RDAI400350-394	RDA	4.000	3.500	0.394			3.990	RDA401	
DASI400350-056	DAS	4.000	3.500	0.562	0.210	3.770	3.937	RND026	
L46I400350-569	L46	4.000	3.500	0.569	0.210	3.764	3.933		
DCTI400352-579	DCT	4.000	3.522	0.579			3.980	RZ8146	
SPGI400360-130	SPG	4.000	3.606	0.130			3.998	RZ8289	
CPRI400361-188	CPR	4.000	3.612	0.188				RZ8367	
CPRI400361-250	CPR	4.000	3.612	0.250				RZ8119	
DAGI400362-280	DAG	4.000	3.625	0.280			3.995	RZ8562	
RDAI400362-281	RDA	4.000	3.625	0.281			3.990	RDA400	
SDAI400362-281	SDA	4.000	3.625	0.281			3.996	RSS400	
RDAI400362-294	RDA	4.000	3.625	0.294			3.990	RDA400-6	
SWRI400362-531	SWR	4.000	3.625	0.531	0.250	3.809	3.937	RZ5540	SS-400-WR
TDAI400362-280	TDA	4.000	3.628	0.280			3.996	RZ8049	TRP400-3

PART N°	PROFILE	HOUSING DIMENSIONS						REFERENCE N°	ALTERNATIVE REFERENCE
		ØD	Ød	L1	L2	Ødw	Ødp		
TDAI400362-424	TDA	4.000	3.628	0.424			3.996		
TDAI412375-280	TDA	4.125	3.753	0.280			4.121	RZ8628	TRP412
RDAI425350-657	RDA	4.250	3.500	0.657			4.240	RDA425-1	
JWRI425350-765	JWR	4.250	3.500	0.765	0.500	3.993	4.170	RZL425	LS-425WR
JDAI425350-765	JDA	4.250	3.500	0.765			4.242	RLS425	LS-425/2
DASI425350-094	DAS	4.250	3.500	0.937	0.250	4.024	4.187	R53227	
NWRI425350-952	NWR	4.250	3.500	0.952	0.250	4.019	4.210		
LDAI425350-958	LDA	4.250	3.500	0.958			4.242	RZ3493	LD35-BU
NWRI425350-1202	NWR	4.250	3.500	1.202	0.250	3.982	4.187		
LWRI425350-1208	LWR	4.250	3.500	1.208	0.250	3.980	4.187	RZ3615	LD35-WR
SPGI425358-255	SPG	4.250	3.585	0.255			4.248	RZ8290	
RDAI425362-526	RDA	4.250	3.625	0.526			4.240	RDA425-2	
RDAI425363-250	RDA	4.250	3.630	0.250			4.240	RDA425-4	
SPRI425363-250	SPR	4.250	3.630	0.250			4.249		
SPGI425368-250	SPG	4.250	3.683	0.250			4.234	RLS068	S.G.R.-68
SPGI425369-280	SPG	4.250	3.692	0.280			4.248	RZ8291	
RCCI425369-282	RCC	4.250	3.692	0.282			4.170	R81009	
DAGI425371-283	DAG	4.250	3.712	0.283			4.245	RZ8199	
RDAI425375-360	RDA	4.250	3.750	0.360			4.240	RDA425-5	
RDAI425375-394	RDA	4.250	3.750	0.394			4.240	RDA425-3	
DCTI425377-579	DCT	4.250	3.772	0.579			4.230	RZ8147	
CPRI425384-250	CPR	4.250	3.844	0.250				RZ8121	
SPGI425385-130	SPG	4.250	3.856	0.130			4.248	RZ8292	
DAGI425387-280	DAG	4.250	3.875	0.280			4.245	RZ8563	
RDAI425387-281	RDA	4.250	3.875	0.281			4.240	RDA425	
TDAI425387-280	TDA	4.250	3.878	0.280			4.246	RZ8629	TRP425
TDAI437400-280	TDA	4.375	4.003	0.280			4.371	RZ8630	TRP437
LWRI450350-1055	LWR	4.500	3.500	1.055	0.375	4.230	4.437		
DASI450350-125	DAS	4.500	3.500	1.250	0.250	4.229	4.428	R59268	
NWRI450350-1265	NWR	4.500	3.500	1.265	0.250	4.229	4.450		
LDAI450350-1285	LDA	4.500	3.500	1.285			4.490	RZ3494	LD36-BU
NWRI450350-1535	NWR	4.500	3.500	1.515	0.375	4.232	4.437	RZ4280	N36-WR
LWRI450350-1535	LWR	4.500	3.500	1.535	0.375	4.230	4.437	RZ3616	LD36-WR
DHDI450350-175	DHD	4.500	3.500	1.750	0.500	4.180	4.435		
RDAI450375-657	RDA	4.500	3.750	0.657			4.490	RDA450-1	
JWRI450375-765	JWR	4.500	3.750	0.765	0.500	4.241	4.420	RZL450	LS-450WR
JDAI450375-765	JDA	4.500	3.750	0.765			4.490	RLS450	LS-450/2
SPGI450383-255	SPG	4.500	3.835	0.255			4.498	RZ8293	
RDAI450387-526	RDA	4.500	3.875	0.526			4.490	RDA450-2	
RDAI450388-250	RDA	4.500	3.880	0.250			4.490	RDA450-5	
SPRI450388-250	SPR	4.500	3.880	0.250			4.499		
SPRI450388-250/1	SPR	4.500	3.880	0.250			4.499		
SAQI450388-288	SAQ	4.500	3.884	0.288			4.488	RAQ072	
SPGI450389-250	SPG	4.500	3.890	0.250			4.498	RZ8294	
DCTI450390-492	DCT	4.500	3.909	0.492			4.480	RZ8148	

PISTON SEALS DOUBLE ACTING IMPERIAL

PISTON SEALS DOUBLE ACTING IMPERIAL

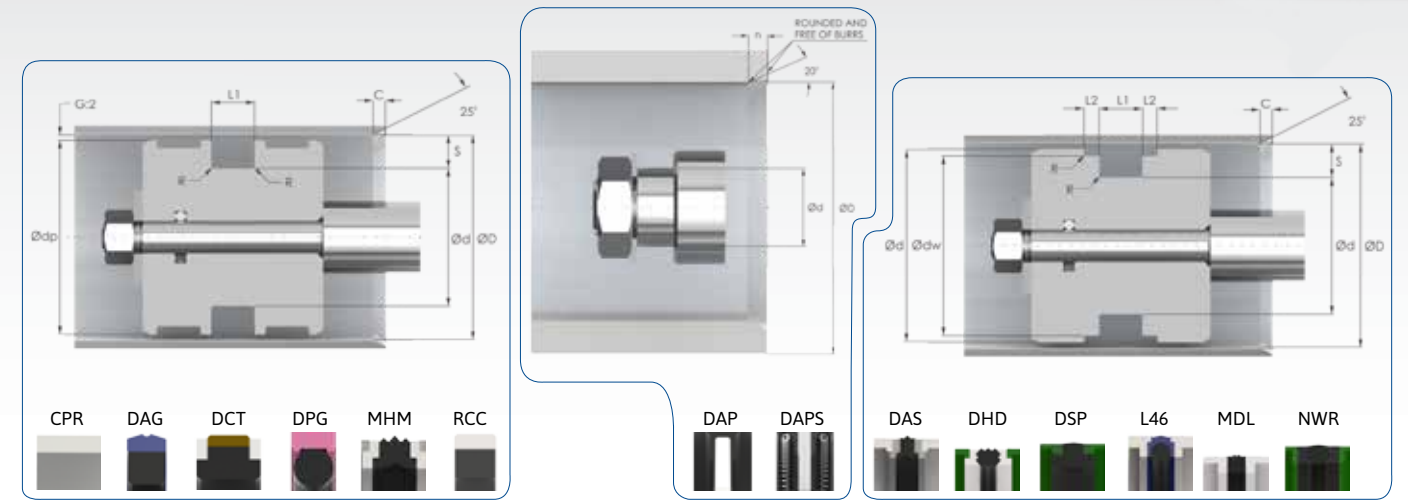
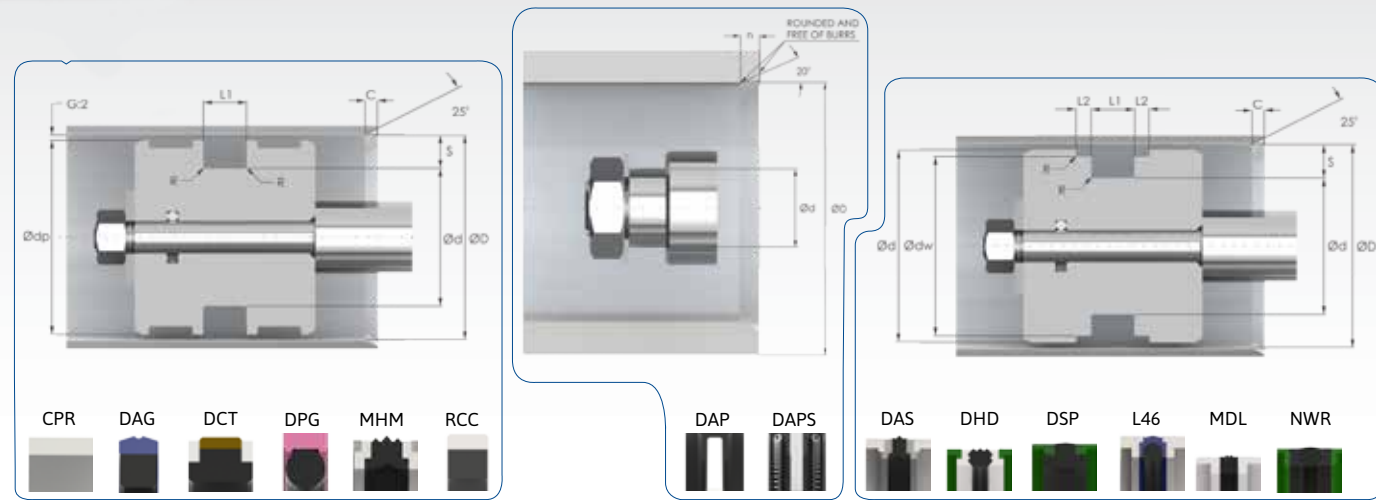


PART N°	PROFILE	HOUSING DIMENSIONS						REFERENCE N°	ALTERNATIVE REFERENCE
		ØD	Ød	L1	L2	Ødw	Ødp		
SPGI450393-250	SPG	4.500	3.933	0.250			4.484	RLS072	S.G.R.-72
SPGI450394-280	SPG	4.500	3.942	0.280			4.498	RZ8295	
RCCI450394-282	RCC	4.500	3.942	0.282			4.420	R81010	
DAGI450396-283	DAG	4.500	3.962	0.283			4.495	RZ8200	
RAI450400-394	RDA	4.500	4.000	0.394			4.490	RDA450-3	
DASI450400-056	DAS	4.500	4.000	0.562	0.210	4.270	4.437	R53421	
RAI450400-591	RDA	4.500	4.000	0.591			4.490	RDA450-4	
DCTI450402-579	DCT	4.500	4.022	0.579			4.480	RZ8149	
CPRI450407-250	CPR	4.500	4.074	0.250				RZ8122	
CPRI450407-312	CPR	4.500	4.074	0.312				RZ8123	
SPGI450410-130	SPG	4.500	4.106	0.130			4.498	RZ8296	
DAGI450412-280	DAG	4.500	4.125	0.280			4.495	RZ8564	
RAI450412-281	RDA	4.500	4.125	0.281			4.490	RDA450	
RAI450412-294	RDA	4.500	4.125	0.294			4.490	RDA450-6	
RAI450412-394	RDA	4.500	4.125	0.394			4.490	RDA450-7	
RAI450412-427	RDA	4.500	4.125	0.427			4.490	RDA450-8	
TDAI450412-280	TDA	4.500	4.128	0.280			4.496	RZ8018	TRP400-3
SPGI450419-282	SPG	4.500	4.192	0.282			4.498	RZ8297	
JWRI462387-765	JWR	4.625	3.875	0.765	0.500	4.366	4.565	RZL462	LS-462WR
JDAI462387-765	JDA	4.625	3.875	0.765			4.615	RL4727	LS-462
DAGI462425-280	DAG	4.625	4.250	0.280			4.620	RZ8565	
TDAI462425-280	TDA	4.625	4.253	0.280			4.621	RZ8631	TRP462
DASI475375-125	DAS	4.750	3.750	1.250	0.375	4.463	4.687		
NWRI475375-1265	NWR	4.750	3.750	1.265	0.250	4.478	4.700		
LDAI475375-1285	LDA	4.750	3.750	1.285			4.740	RZ3495	LD37-BU
NWRI475375-1515	NWR	4.750	3.750	1.515	0.375	4.482	4.687		
LWRI475375-1535	LWR	4.750	3.750	1.535	0.375	4.480	4.687	RZ3617	LD37-WR
RAI475400-657	RDA	4.750	4.000	0.657			4.740	RDA475-1	
JWRI475400-765	JWR	4.750	4.000	0.765	0.500	4.491	4.670	RZL475	LS-475WR
JDAI475400-765	JDA	4.750	4.000	0.765			4.740	RL0468	LS-475
SPGI475408-255	SPG	4.750	4.085	0.255			4.748	RZ8298	
RAI475412-526	RDA	4.750	4.125	0.526			4.740	RDA475-2	
RAI475413-250	RDA	4.750	4.130	0.250			4.740	RDA475-5	
SPRI475413-250	SPR	4.750	4.130	0.250			4.749		
SPRI475413-250/1	SPR	4.750	4.130	0.250			4.749		
SAQI475413-288	SAQ	4.750	4.134	0.288			4.738	RAQ076	
DCTI475415-492	DCT	4.750	4.159	0.492			4.730	RZ8150	
SPGI475418-250	SPG	4.750	4.183	0.250			4.748	RLS076	S.G.R.-76
RCCI475419-282	RCC	4.750	4.192	0.282			4.670	R81011	
SPGI475419-282	SPG	4.750	4.192	0.282			4.748	RZ8448	
DAGI475421-283	DAG	4.750	4.212	0.283			4.745	RZ8201	
RAI475425-394	RDA	4.750	4.250	0.394			4.740	RDA475-3	
SPGI475435-130	SPG	4.750	4.356	0.130			4.748	RZ8299	
RAI475437-294	RDA	4.750	4.370	0.294			4.740	RDA475-6	
RAI475437-281	RDA	4.750	4.375	0.281			4.740	RDA475	

PART N°	PROFILE	HOUSING DIMENSIONS						REFERENCE N°	ALTERNATIVE REFERENCE
		ØD	Ød	L1	L2	Ødw	Ødp		
TDAI475437-280	TDA	4.750	4.378	0.280			4.746	RZ8632	TRP475
TDAI487450-280	TDA	4.875	4.503	0.280			4.871	RZ8633	TRP487
LWRI500400-1055	LWR	5.000	4.000	1.055	0.375	4.730	4.937		
DASI500400-125/1	DAS	5.000	4.000	1.250	0.250	4.730	4.910	R59245	
DASI500400-125	DAS	5.000	4.000	1.250	0.375	4.712	4.910	R59234	
NWRI500400-1265	NWR	5.000	4.000	1.265	0.250	4.728	4.956		
LDAI500400-1285	LDA	5.000	4.000	1.285			4.990		LD38-BU
NWRI500400-1515	NWR	5.000	4.000	1.515	0.375	4.732	4.937	RZ4281	N38-WR
DASI500400-154	DAS	5.000	4.000	1.535	0.375	4.730	4.910	RND033	
LWRI500400-1535	LWR	5.000	4.000	1.535	0.375	4.730	4.937	RZ3618	LD38-WR
DHDI500400-175	DHD	5.000	4.000	1.750	0.500	4.772	4.935		
RAI500425-657	RDA	5.000	4.250	0.657			4.990	RDA500-1	
JWRI500425-765/1	JWR	5.000	4.250	0.765	0.500	4.713	4.920	RZJ500	LS-500WR
JWRI500425-765	JWR	5.000	4.250	0.765	0.500	4.741	4.920	RZL500	LS-500WR
JDAI500425-765	JDA	5.000	4.250	0.765			4.990	RLS500	LS-500/2
DASI500425-096	DAS	5.000	4.250	0.963	0.245	4.772	4.960	RND027	
DCTI500427-750	DCT	5.000	4.274	0.750			4.980	RZ8152	
DSPI500437-687	DSP	5.000	4.370	0.680			4.940		
RAI500437-526	RDA	5.000	4.375	0.526			4.990	RDA500-2	
RAI500438-250	RDA	5.000	4.380	0.250			4.990	RDA500-6	
SPRI500438-250	SPR	5.000	4.380	0.250			4.999		
TDAI500438-280	TDA	5.000	4.384	0.280			4.996	RZ8041	
SAQI500438-288	SAQ	5.000	4.384	0.288			4.988	RAQ080	
SPGI500439-250	SPG	5.000	4.390	0.250			4.997	RZ8301	
SPGI500443-250	SPG	5.000	4.433	0.250			4.984	RLS080	S.G.R.-80
RCCI500444-282	RCC	5.000	4.442	0.282			4.920	R81012	
SPGI500444-282	SPG	5.000	4.442	0.282			4.997	RZ8302	
DAGI500446-283	DAG	5.000	4.462	0.283			4.995	RLL020	
SPGI500449-275	SPG	5.000	4.490	0.275			4.984	RLL005	L.G.R.- 5
RAI500450-366	RDA	5.000	4.500	0.366			4.990	RDA500-5	
RAI500450-394	RDA	5.000	4.500	0.394			4.990	RDA500-3	
RAI500450-591	RDA	5.000	4.500	0.591			4.990	RDA500-4	
RAI500452-360	RDA	5.000	4.520	0.360			4.990	RDA500-7	
TDAI500452-366	TDA	5.000	4.524	0.366			4.996	RZ8362	TRP500-4
RAI500452-366	RDA	5.000	4.525	0.366			4.990	RDA500/036	
CPRI500454-188	CPR	5.000	4.540	0.188				RZ8366	
CPRI500454-250	CPR	5.000	4.540	0.250				R88029	
CPRI500454-312	CPR	5.000	4.540	0.312				RZ8125	
SPGI500460-157	SPG	5.000	4.603	0.157			4.998		
SPGI500460-130	SPG	5.000	4.606	0.130			4.997	RZ8303	
DAGI500462-280	DAG	5.000	4.625	0.280			4.995	RZ8566	
RAI500462-281	RDA	5.000	4.625	0.281			4.990	RDA501	
TDAI500462-280	TDA	5.000	4.629	0.280			4.996	RZ8022	TRP500-3
CPRI500466-250	CPR	5.000	4.660	0.250					
TDAI512464-366	TDA	5.125	4.649	0.366			5.121	RZ8634	TRP512

PISTON SEALS DOUBLE ACTING IMPERIAL

PISTON SEALS DOUBLE ACTING IMPERIAL

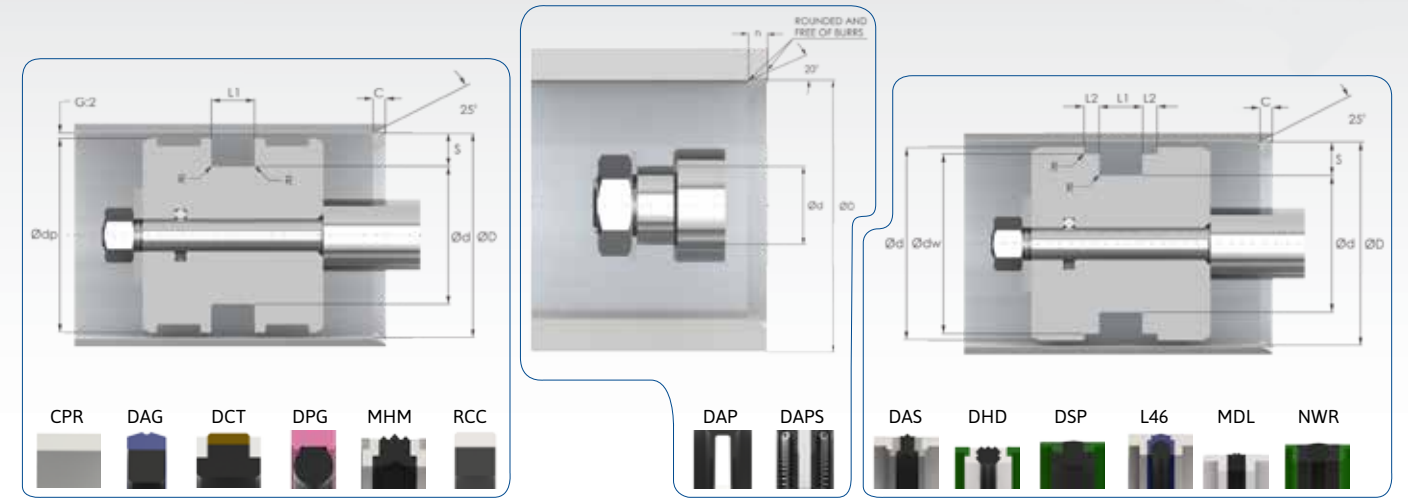
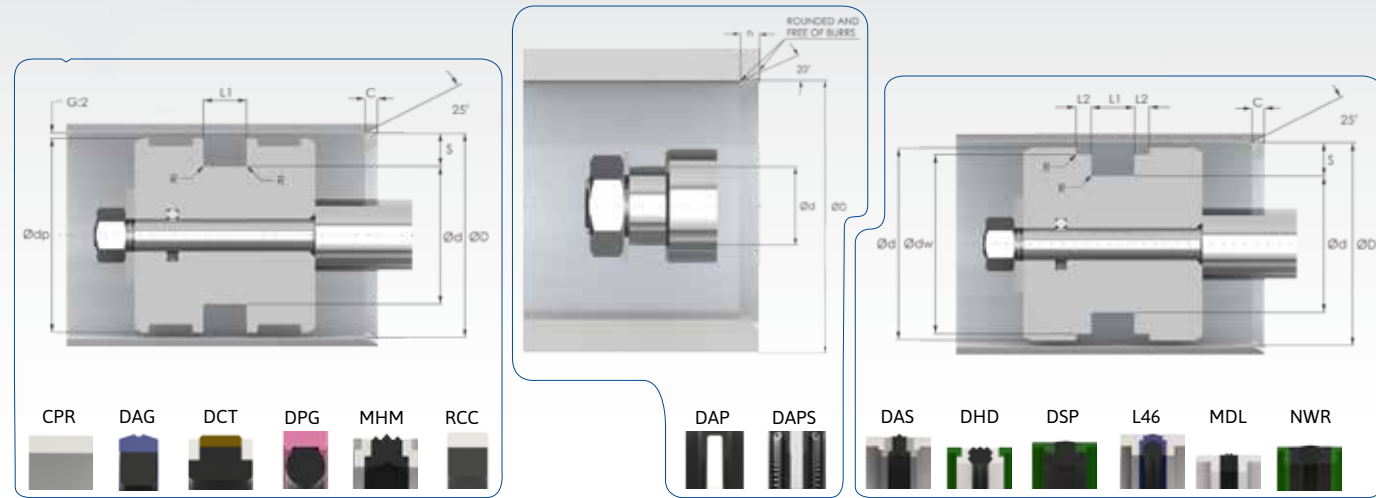


PART N°	PROFILE	HOUSING DIMENSIONS						REFERENCE N°	ALTERNATIVE REFERENCE
		ØD	Ød	L1	L2	Ødw	Ødp		
NWRI525425-1265	NWR	5.250	4.250	1.265	0.250	4.977	5.206		
LDAI525425-1285	LDA	5.250	4.250	1.285			5.240	RZ3497	LD39-BU
NWRI525425-1515	NWR	5.250	4.250	1.515	0.375	4.982	5.187		
LWRI525425-1535	LWR	5.250	4.250	1.535	0.375	4.980	5.187	RZ3619	LD39-WR
RCCI525449-377	RCC	5.250	4.490	0.377			5.170	R81013	
SPGI525449-377	SPG	5.250	4.490	0.377			5.247	RZ8305	
SPRI525450-310	SPR	5.250	4.500	0.310			5.249		
RDAI525450-657	RDA	5.250	4.500	0.657			5.240	RDA525-1	
JWRI525450-765	JWR	5.250	4.500	0.765	0.500	4.991	5.170	RZL525	LS-525WR
JDAI525450-765	JDA	5.250	4.500	0.765			5.240	RL9933	LS-525
DAGI525450-378	DAG	5.250	4.504	0.378			5.245	RZ8202	
DCTI525452-750	DCT	5.250	4.524	0.750			5.230	RZ8153	
RDAI525462-526	RDA	5.250	4.625	0.526			5.240	RDA525-2	
RDAI525475-394	RDA	5.250	4.750	0.394			5.240	RDA525	
RDAI525475-591	RDA	5.250	4.750	0.591			5.240	RDA525-3	
TDAI525477-366	TDA	5.250	4.774	0.366			5.246	RZ8635	TRP525
SPGI525485-130	SPG	5.250	4.856	0.130			5.247	RZ8306	
JWRI537462-765	JWR	5.375	4.625	0.765	0.500	5.116	5.295	RZL537	LS-537WR
JDAI537462-765	JDA	5.375	4.625	0.765			5.365	RL4728	LS-537
TDAI537489-366	TDA	5.375	4.899	0.366			5.371	RZ8636	TRP537
LWRI550450-1055	LWR	5.500	4.500	1.055	0.375	5.230	5.437		
DASI550450-126/1	DAS	5.500	4.500	1.250	0.250	5.227	5.410		
DASI550450-125	DAS	5.500	4.500	1.250	0.375	5.213	5.410	RND028	
NWRI550450-1265	NWR	5.500	4.500	1.265	0.250	5.232	5.456		
LDAI550450-1285	LDA	5.500	4.500	1.285			5.490	RZ3498	LD40-BU
NWRI550450-1515	NWR	5.500	4.500	1.515	0.375	5.232	5.437	RZ4282	N40-WR
LWRI550450-1535	LWR	5.500	4.500	1.535	0.375	5.230	5.437	RZ3620	LD40-WR
DCTI550459-630	DCT	5.500	4.594	0.630			5.480	RZ8154	
SAQI550466-375	SAQ	5.500	4.660	0.375			5.488	RAQ088	
SPGI550472-380	SPG	5.500	4.725	0.380			5.497	RZ8308	
RCCI550474-377	RCC	5.500	4.740	0.377			5.420	R81014	
SPGI550474-377	SPG	5.500	4.740	0.377			5.497	R89520	
SPRI550475-310	SPR	5.500	4.750	0.310			5.499		
RDAI550475-657	RDA	5.500	4.750	0.657			5.490	RDA550-1	
JWRI550475-765	JWR	5.500	4.750	0.765	0.500	5.241	5.420	RZL550	LS-550WR
JDAI550475-765	JDA	5.500	4.750	0.765			5.490	RLS550	LS-550/2
RDAI550475-780	RDA	5.500	4.750	0.780			5.490	RDA550/2	
DAGI550475-378	DAG	5.500	4.754	0.378			5.495	RZ8203	
DCTI550477-750	DCT	5.500	4.774	0.750			5.480	RZ8155	
RDAI550487-526	RDA	5.500	4.875	0.526			5.490	RDA550-2	
DAGI550500-365	DAG	5.500	5.000	0.365			5.495	RZ8567	
RDAI550500-366	RDA	5.500	5.000	0.366			5.490	RDA550	
RDAI550500-394	RDA	5.500	5.000	0.394			5.490	RDA550-3	
RDAI550500-591	RDA	5.500	5.000	0.591			5.490	RDA550-4	
DCTI550502-579	DCT	5.500	5.022	0.579			5.480	RZ8156	

PART N°	PROFILE	HOUSING DIMENSIONS						REFERENCE N°	ALTERNATIVE REFERENCE
		ØD	Ød	L1	L2	Ødw	Ødp		
TDAI550502-366	TDA	5.500	5.024	0.366			5.496	RZ8024	TRP550-4
SPGI550510-130	SPG	5.500	5.106	0.130			5.497	RZ8309	
TDAI562514-366	TDA	5.625	5.149	0.366			5.621	RZ8637	TRP562
NWRI575475-1265	NWR	5.750	4.750	1.265	0.250	5.475	5.706		
LDAI575475-1285	LDA	5.750	4.750	1.285			5.740	RZ3499	LD41-BU
NWRI575475-1515	NWR	5.750	4.750	1.515	0.375	5.482	5.687		
LWRI575475-1535	LWR	5.750	4.750	1.535	0.375	5.480	5.687	RZ3621	LD41-WR
RCCI575499-377	RCC	5.750	4.990	0.377			5.670	R81015	
SPGI575499-377	SPG	5.750	4.990	0.377			5.747	RZ8310	
RDAI575500-394	RDA	5.750	5.000	0.394			5.740	RDA575	
RDAI575500-657	RDA	5.750	5.000	0.657			5.740	RDA575-1	
JWRI575500-765	JWR	5.750	5.000	0.765	0.500	5.491	5.670	RZL575	LS-575WR
JDAI575500-765	JDA	5.750	5.000	0.765			5.740	RL0471	LS-575
RDAI575512-526	RDA	5.750	5.125	0.526			5.740	RDA575-2	
SPGI575523-160	SPG	5.750	5.232	0.160			5.747	RZ8311	
RDAI575525-394	RDA	5.750	5.250	0.394			5.740	RDA575-3	
RDAI575525-591	RDA	5.750	5.250	0.591			5.740	RDA575-4	
TDAI575527-366	TDA	5.750	5.274	0.366			5.746	RZ8638	TRP575
CPRI575535-250	CPR	5.750	5.356	0.250					
TDAI587539-366	TDA	5.875	5.399	0.366			5.871	RZ8639	TRP587
RDAI600500-789	RDA	6.000	5.000	0.789			5.990	RDA600-1	
LWRI600500-1055	LWR	6.000	5.000	1.055	0.375	5.730	5.937		
DASI600500-125/1	DAS	6.000	5.000	1.250	0.250	5.726	5.910		
DASI600500-125	DAS	6.000	5.000	1.250	0.375	5.713	5.910	R59235	
NWRI600500-1265	NWR	6.000	5.000	1.265	0.250	5.726	5.956		
LDAI600500-1285	LDA	6.000	5.000	1.285			5.990	RZ3500	LD42-BU
NWRI600500-1515	NWR	6.000	5.000	1.515	0.375	5.732	5.937	RZ4283	N42-WR
DASI600500-154	DAS	6.000	5.000	1.535	0.375	5.730	5.910	RND034	
LWRI600500-1535	LWR	6.000	5.000	1.535	0.375	5.730	5.937	RZ3622	LD42-WR
DHDI600500-175	DHD	6.000	5.000	1.750	0.500	5.709	5.935		
DCTI600509-630	DCT	6.000	5.094	0.630			5.980	RZ8157	
SAQI600516-375	SAQ	6.000	5.160	0.375			5.988	RAQ096	
SPGI600517-320	SPG	6.000	5.174	0.320			5.997	RZ8313	
SPRI600523-379	SPR	6.000	5.238	0.379			5.999		
RCCI600524-377	RCC	6.000	5.240	0.377			5.920	R81016	
SPGI600524-377	SPG	6.000	5.240	0.377			5.997	RZ8314	
SPRI600525-310/1	SPR	6.000	5.250	0.310			5.999		
RDAI600525-657	RDA	6.000	5.250	0.657			5.990	RDA600-2	
JWRI600525-765	JWR	6.000	5.250	0.765	0.500	5.741	5.920	RZL600	LS-600WR
JDAI600525-765	JDA	6.000	5.250	0.765			5.990	RLS600	LS-600/2
DASI600525-100	DAS	6.000	5.250	1.000	0.500	5.712	5.937	R59385	
DAGI600525-378	DAG	6.000	5.254	0.378			5.995	RZ8205	
DCTI600527-750	DCT	6.000	5.274	0.750			5.980	RZ8158	
SPGI600528-375	SPG	6.000	5.280	0.375			5.984	RL006	L.G.R.- 6
RDAI600537-526	RDA	6.000	5.375	0.526			5.990	RDA600-3	

PISTON SEALS DOUBLE ACTING IMPERIAL

PISTON SEALS DOUBLE ACTING IMPERIAL

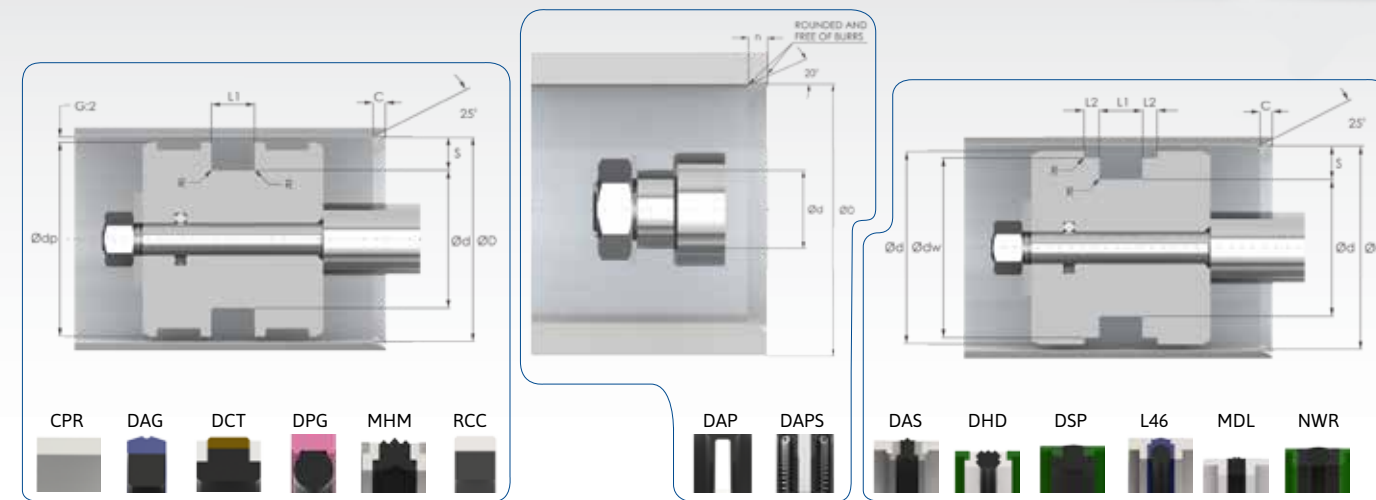
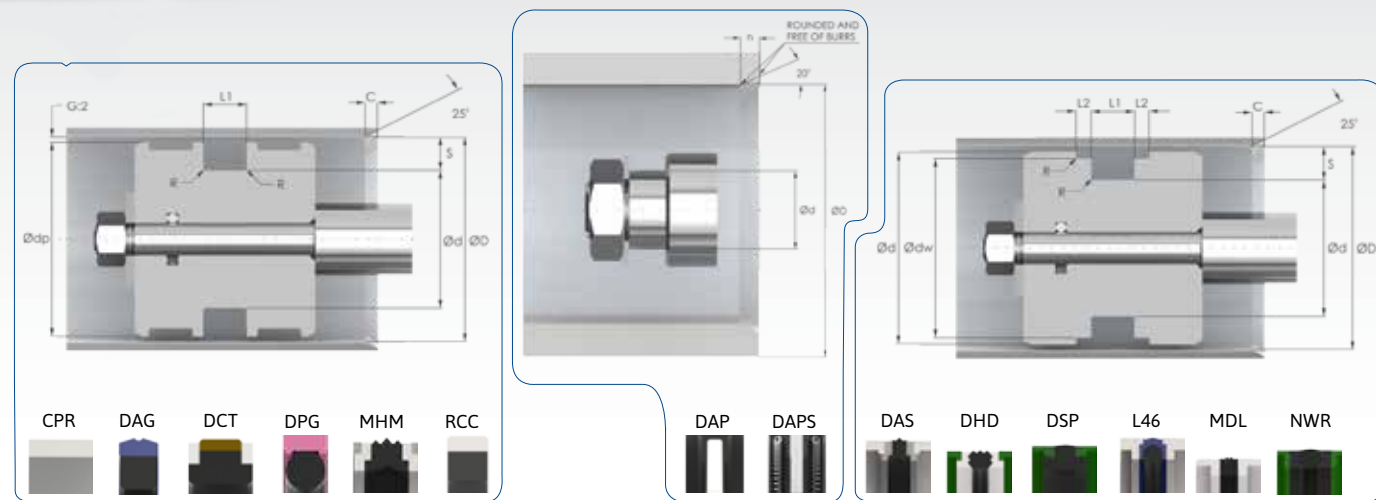


PART N°	PROFILE	HOUSING DIMENSIONS						REFERENCE N°	ALTERNATIVE REFERENCE
		ØD	Ød	L1	L2	Ødw	Ødp		
SPGI600548-160	SPG	6.000	5.482	0.160			5.997	RZ8315	
CPRI600548-250	CPR	6.000	5.488	0.250				RZ8129	
CPRI600548-312	CPR	6.000	5.488	0.312					
DAGI600550-365	DAG	6.000	5.500	0.365			5.995	RZ8568	
RDAI600550-366	RDA	6.000	5.500	0.366			5.990	RDA600	
RDAI600550-368	RDA	6.000	5.500	0.368			5.990	RDA600-6	
RDAI600550-394	RDA	6.000	5.500	0.394			5.990	RDA600-4	
RDAI600550-591	RDA	6.000	5.500	0.591			5.990	RDA600-5	
TDAI600552-366	TDA	6.000	5.524	0.366			5.996	RZ8026	TRP600-4
TDAI612564-366	TDA	6.125	5.649	0.366			6.121	RZ8640	TRP612
LDAI625525-1285	LDA	6.250	5.250	1.285			6.240	RZ3501	LD43-BU
LWRI625525-1535	LWR	6.250	5.250	1.535	0.375	5.980	6.187	RZ3623	LD43-WR
DCTI625534-630	DCT	6.250	5.344	0.630			6.230	RZ8160	
SPGI625549-377	SPG	6.250	5.490	0.377			6.247	RZ8317	
DAGI625550-378	DAG	6.250	5.504	0.378			6.245	RZ8206	
DCTI625552-750	DCT	6.250	5.524	0.750			6.230	RZ8161	
SPGI625573-160	SPG	6.250	5.732	0.160			6.247	RZ8318	
TDAI625577-366	TDA	6.250	5.774	0.366			6.246	RZ8641	TRP625
DASI650550-127	DAS	6.500	5.500	1.265	0.250	6.150	6.418	R88204	
NWRI650550-1265	NWR	6.500	5.500	1.265	0.250	6.226	6.456		
LDAI650550-1285	LDA	6.500	5.500	1.285			6.490	RZ3502	LD44-BU
NWRI650550-1515	NWR	6.500	5.500	1.515	0.375	6.232	6.437		
LWRI650550-1535	LWR	6.500	5.500	1.535	0.375	6.230	6.437	RZ3624	LD44-WR
DCTI650559-630	DCT	6.500	5.594	0.630			6.480	RZ8163	
SPGI650559-380	SPG	6.500	5.595	0.380			6.497	RZ8319	
SAQI650566-375	SAQ	6.500	5.660	0.375			6.488	RAQ104	
SPGI650574-377	SPG	6.500	5.740	0.377			6.497	RZ8320	
RDAI650575-657	RDA	6.500	5.750	0.657			6.490	RDA650-2	
DSPI650575-1000H	DSP	6.500	5.750	1.000			6.440		
DAGI650575-378	DAG	6.500	5.754	0.378			6.495	RZ8207	
DCTI650577-750	DCT	6.500	5.774	0.750			6.480	RZ8164	
RDAI650587-526	RDA	6.500	5.875	0.526			6.490	RDA650-3	
SPGI650598-160	SPG	6.500	5.982	0.160			6.497	RZ8321	
DAGI650600-365	DAG	6.500	6.000	0.365			6.495	RZ8569	
RDAI650600-366	RDA	6.500	6.000	0.366			6.490	RDA650	
RDAI650600-394	RDA	6.500	6.000	0.394			6.490	RDA650-5	
RDAI650600-591	RDA	6.500	6.000	0.591			6.490	RDA650-4	
DCTI650602-579	DCT	6.500	6.022	0.579			6.480	RZ8165	
TDAI650602-366	TDA	6.500	6.024	0.366			6.496	RZ8642	TRP650-4
LDAI675575-1285	LDA	6.750	5.750	1.285			6.740	RZ3503	LD45-BU
NWRI675575-1515	NWR	6.750	5.750	1.515	0.375	6.482	6.687		
LWRI675575-1535	LWR	6.750	5.750	1.535	0.375	6.480	6.687	RZ3625	LD45-WR
JWRI675600-765	JWR	6.750	6.000	0.765	0.500	6.491	6.670	RZL675	LS-675WR
JDAI675600-765	JDA	6.750	6.000	0.765			6.740	RL4729	LS-675
SPGI675623-160	SPG	6.750	6.232	0.160			6.747	RZ8322	

PART N°	PROFILE	HOUSING DIMENSIONS						REFERENCE N°	ALTERNATIVE REFERENCE
		ØD	Ød	L1	L2	Ødw	Ødp		
TDAI675627-366	TDA	6.750	6.274	0.366			6.746	RZ8643	TRP675
RDAI700600-789	RDA	7.000	6.000	0.789			6.990	RDA700-1	
DASI700600-125	DAS	7.000	6.000	1.250	0.250	6.713	6.917	RND035	
NWRI700600-1265	NWR	7.000	6.000	1.265	0.250	6.724	6.956		
LDAI700600-1285	LDA	7.000	6.000	1.285			6.990	RZ3504	LD46-BU
NWRI700600-1515	NWR	7.000	6.000	1.515	0.375	6.732	6.937		
LWRI700600-1535	LWR	7.000	6.000	1.535	0.375	6.730	6.937	RZ3626	LD46-WR
SAQI700616-375	SAQ	7.000	6.160	0.375			6.988	RAQ112	
SPGI700617-320	SPG	7.000	6.174	0.320			6.997	RZ8324	
RCCI700628-377	RCC	7.000	6.238	0.377			6.920		
SPGI700624-377	SPG	7.000	6.240	0.377			6.997	RZ8325	
SPGI700625-310/1	SPG	7.000	6.250	0.310			6.997		
RDAI700625-657	RDA	7.000	6.250	0.657			6.990	RDA700-2	
JWRI700625-765	JWR	7.000	6.250	0.765	0.500	6.741	6.920	RZL700	LS-700WR
JDAI700625-765	JDA	7.000	6.250	0.765			6.990	RLS700	LS-700/2
RDAI700625-789	RDA	7.000	6.250	0.789			6.990	RDA700-5	
DASI700625-100	DAS	7.000	6.250	1.000	0.500	6.712	6.937	R88749	
DAGI700625-378	DAG	7.000	6.254	0.378			6.995	RZ8209	
DCTI700627-750	DCT	7.000	6.274	0.750			6.980	RZ8166	
SPGI700628-375	SPG	7.000	6.280	0.375			6.984	RLL007	L.G.R.- 7
RDAI700637-526	RDA	7.000	6.375	0.526			6.990	RDA700-3	
SPGI700648-160	SPG	7.000	6.482	0.160			6.997	RZ8326	
DAGI700650-365	DAG	7.000	6.500	0.365			6.995	RZ8570	
RDAI700650-366	RDA	7.000	6.500	0.366			6.990	RDA700	
RDAI700650-591	RDA	7.000	6.500	0.591			6.990	RDA700-4	
TDAI700652-366	TDA	7.000	6.524	0.366			6.996	RZ8364	TRP700-4
CPRI700652-312	CPR	7.000	6.528	0.312					
LDAI725600-1660	LDA	7.250	6.000	1.660			7.238	RZ3505	LD47-BU
LWRI725600-1905	LWR	7.250	6.000	1.905	0.375	6.990	7.187		
DCTI725634-630	DCT	7.250	6.344	0.630			7.230	RZ8167	
SPGI725649-377	SPG	7.250	6.490	0.377			7.247	RZ8328	
DAGI725650-378	DAG	7.250	6.504	0.378			7.245	RZ8210	
SPGI725673-160	SPG	7.250	6.732	0.160			7.247	RZ8329	
TDAI725677-366	TDA	7.250	6.774	0.366			7.246	RZ8644	TRP725
LDAI750625-1660	LDA	7.500	6.250	1.660			7.488	RZ3506	LD48-BU
NWRI750625-1890	NWR	7.500	6.250	1.890	0.375	7.240	7.437		
LWRI750625-1905	LWR	7.500	6.250	1.905	0.375	7.240	7.437		
DCTI750659-630	DCT	7.500	6.594	0.630			7.480	RZ8169	
SAQI750666-375	SAQ	7.500	6.660	0.375			7.488	RAQ120	
SPGI750674-377	SPG	7.500	6.740	0.377			7.497	RZ8331	
RDAI750675-657	RDA	7.500	6.750	0.657			7.490	RDA750-2	
DCTI750677-750	DCT	7.500	6.774	0.750			7.480	RZ8170	
DCTI75684-630	DCT	7.500	6.844	0.630			7.480	RZ8171	
RDAI750687-263	RDA	7.500	6.875	0.263			7.490	RDA750-3	
SPGI750698-160	SPG	7.500	6.982	0.160			7.497		

PISTON SEALS DOUBLE ACTING IMPERIAL

PISTON SEALS DOUBLE ACTING IMPERIAL

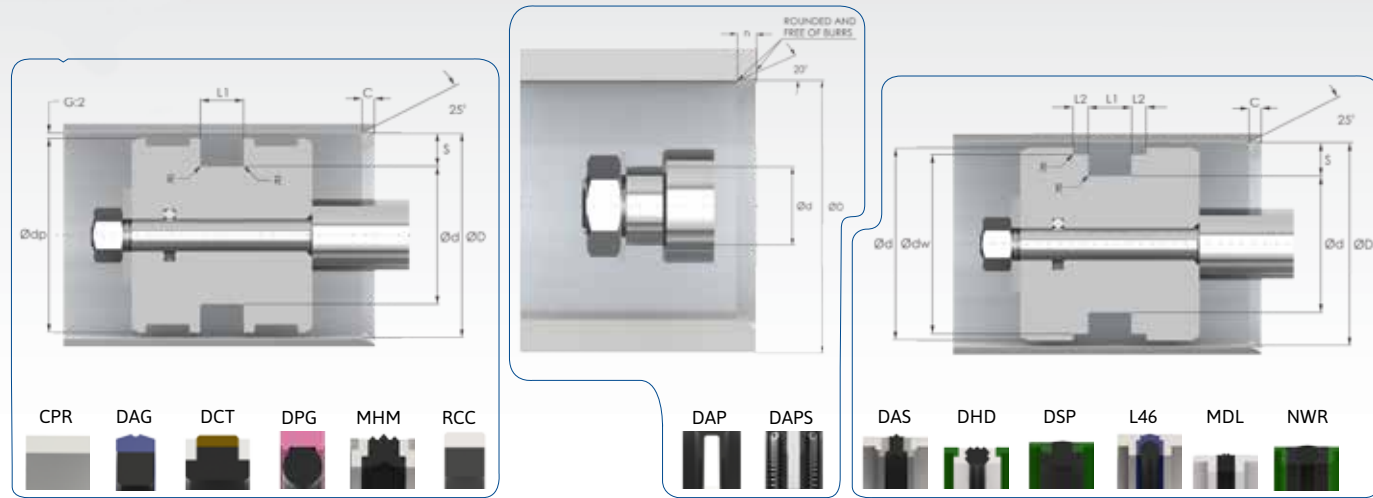


PART N°	PROFILE	HOUSING DIMENSIONS						REFERENCE N°	ALTERNATIVE REFERENCE
		ØD	Ød	L1	L2	Ødw	Ødp		
DAGI750700-365	DAG	7.500	7.000	0.365			7.495	RZ8571	
RDAI750700-366	RDA	7.500	7.000	0.366			7.490	RDA750	
RDAI750700-591	RDA	7.500	7.000	0.591			7.490	RDA750-1	
TDAI750702-366	TDA	7.500	7.024	0.366			7.496	RZ8032	TRP750-4
LDAI775650-1660	LDA	7.750	6.500	1.660			7.738	RZ3507	LD49-BU
LWRI775650-1905	LWR	7.750	6.500	1.905	0.375	7.490	7.687		
JWRI775700-765	JWR	7.750	7.000	0.765	0.500	7.491	7.670	RZL775	LS-775WR
JDAI775700-765	JDA	7.750	7.000	0.765			7.740	RL4730	LS-775
TDAI775727-366	TDA	7.750	7.274	0.366			7.746	RZ8645	TRP775
DASI800675-150	DAS	8.000	6.750	1.500	0.250	7.681	7.896		
LDAI800675-1660	LDA	8.000	6.750	1.660			7.988	RZ3508	LD50-BU
LWRI800675-1905	LWR	8.000	6.750	1.905	0.375	7.740	7.937		
RDAI800700-390	RDA	8.000	7.000	0.390			7.990	RDA800-5	
RDAI800700-789	RDA	8.000	7.000	0.789			7.990	RDA800-1	
DASI800700-125	DAS	8.000	7.000	1.250	0.500	7.722	7.896	R55783	
NWRI800700-1265	NWR	8.000	7.000	1.265	0.375	7.723	7.956		
SAQI800716-375	SAQ	8.000	7.160	0.375			7.988	RAQ128	
SPGI800717-320	SPG	8.000	7.174	0.320			7.997	RZ8335	
RCCI800724-377	RCC	8.000	7.238	0.377			7.920		
SPGI800724-377	SPG	8.000	7.240	0.377			7.997	RZ8336	
RDAI800725-657	RDA	8.000	7.250	0.657			7.990	RDA800-2	
JWRI800725-765	JWR	8.000	7.250	0.765	0.500	7.741	7.920	RZL800	LS-800WR
JDAI800725-765	JDA	8.000	7.250	0.765			7.990	RLS800	LS-800/2
DASI800725-1000	DAS	8.000	7.250	1.000	0.500	7.712	7.937	R45453	
DAGI800725-378	DAG	8.000	7.254	0.378			7.995	RZ8212	
SPGI800725-378	SPG	8.000	7.254	0.378			7.997	R89292	
DCTI800727-750	DCT	8.000	7.274	0.750			7.980	RZ8172	
SPGI800728-375	SPG	8.000	7.280	0.375			7.984	RLI008	L.G.R.- 8
RDAI800737-263	RDA	8.000	7.375	0.263			7.990	RDA800-3	
SPGI800748-160	SPG	8.000	7.482	0.160			7.997	RZ8337	
DAGI800750-365	DAG	8.000	7.500	0.365			7.995	RZ8572	
RDAI800750-366	RDA	8.000	7.500	0.366			7.990	RDA800	
RDAI800750-390	RDA	8.000	7.500	0.390			7.990	RDA800-6	
RDAI800750-591	RDA	8.000	7.500	0.591			7.990	RDA800-4	
TDAI800752-366	TDA	8.000	7.524	0.366			7.996	RZ8033	TRP800-4
LDAI825700-1660	LDA	8.250	7.000	1.660			8.238	RZ3509	LD51-BU
LWRI825700-1905	LWR	8.250	7.000	1.905	0.375	7.990	8.187		
DCTI825734-630	DCT	8.250	7.344	0.630			8.230	RZ8173	
JWRI825750-765	JWR	8.250	7.500	0.765	0.500	7.991	8.170	RZL825	LS-825WR
JDAI825750-765	JDA	8.250	7.500	0.765			8.240	RL4731	LS-825
SPGI825773-160	SPG	8.250	7.732	0.160			8.247	RZ8339	
TDAI825777-366	TDA	8.250	7.774	0.366			8.246	RZ8646	TRP825
LDAI850725-1660	LDA	8.500	7.250	1.660			8.488	RZ3510	LD52-BU
LWRI850725-1905	LWR	8.500	7.250	1.905	0.375	8.240	8.437		
RDAI850750-789	RDA	8.500	7.500	0.789			8.490	RDA850	

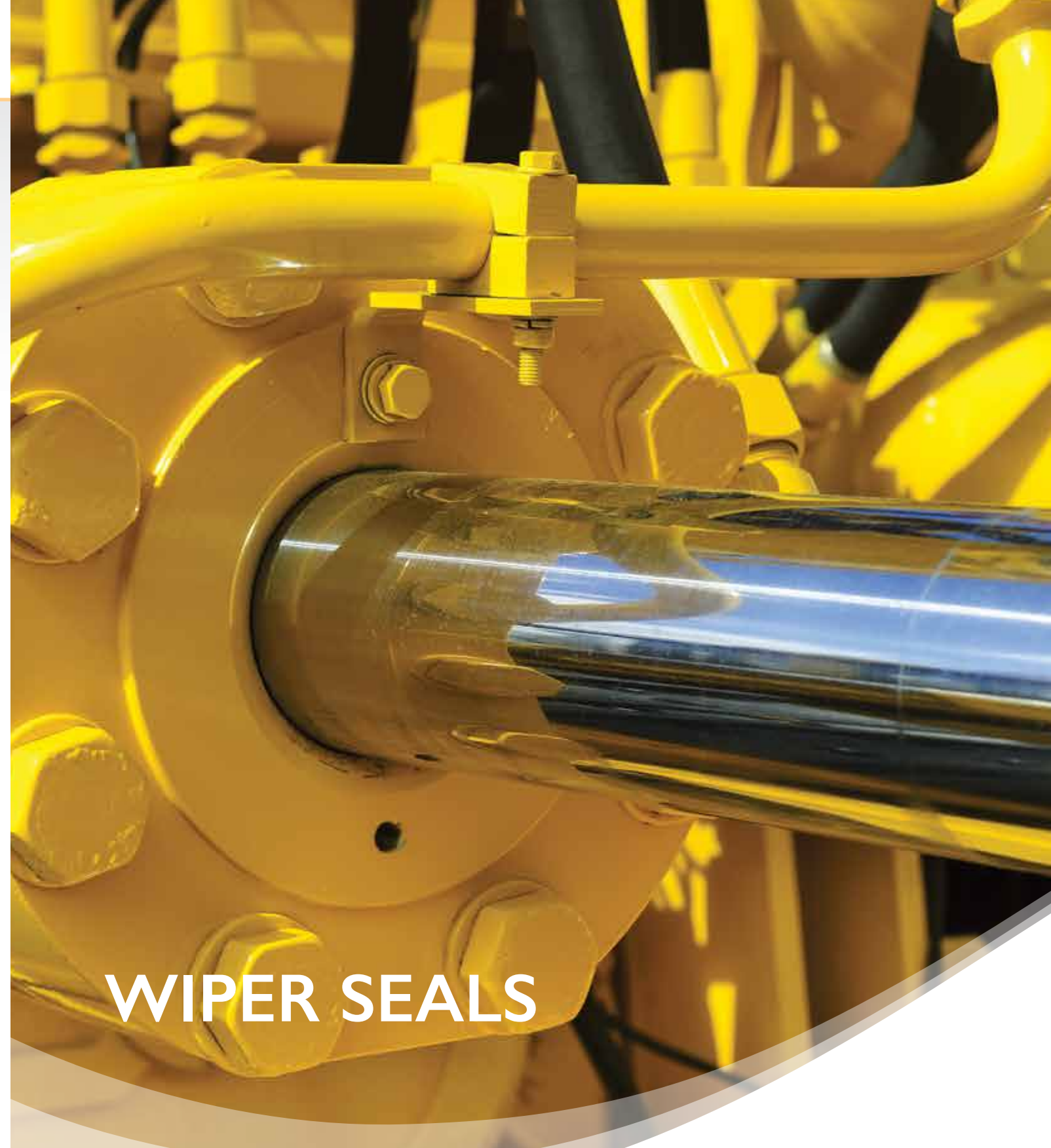
PART N°	PROFILE	HOUSING DIMENSIONS						REFERENCE N°	ALTERNATIVE REFERENCE
		ØD	Ød	L1	L2	Ødw	Ødp		
DCTI850759-630	DCT	8.500	7.594	0.630			8.480	RZ8174	
SPGI850774-377	SPG	8.500	7.740	0.377			8.497	RZ8341	
RDAI850775-657	RDA	8.500	7.750	0.657			8.490	RDA850-1	
DAGI850775-378	DAG	8.500	7.754	0.378			8.495	RZ8214	
DCTI850777-750	DCT	8.500	7.774	0.750			8.480	RZ8175	
RDAI850787-526	RDA	8.500	7.875	0.526			8.490	RDA850-2	
SPGI850798-160	SPG	8.500	7.982	0.160			8.497	RZ8342	
DAGI850800-365	DAG	8.500	8.000	0.365			8.495	RZ8573	
RDAI850800-591	RDA	8.500	8.000	0.591			8.490	RDA850-3	
TDAI850802-366	TDA	8.500	8.024	0.366			8.496	RZ8647	TRP850
LDAI875750-1660	LDA	8.750	7.500	1.660			8.738	RZ3511	LD53-BU
LWRI875750-1905	LWR	8.750	7.500	1.905	0.375	8.490	8.437		
NWRI900775-1890	NWR	9.000	7.750	1.890	0.375	8.740	8.937		
RDAI900800-789	RDA	9.000	8.000	0.789			8.990	RDA900-1	
SPGI900812-377	SPG	9.000	8.124	0.377			8.996	RZ8343	
DAGI900813-378	DAG	9.000	8.137	0.378			8.995	RZ8215	
SAQI900816-375	SAQ	9.000	8.160	0.375			8.988	RAQ144	
SPGI900817-320	SPG	9.000	8.170	0.320			8.984		
SPGI900817-375	SPG	9.000	8.170	0.375			8.984	RLI009	L.G.R.- 9
RDAI900825-657	RDA	9.000	8.250	0.657			8.990	RDA900-2	
JWRI900825-765	JWR	9.000	8.250	0.765	0.500	8.741	8.920	RZL900	LS-900WR
JDAI900825-765	JDA	9.000	8.250	0.765			8.990	RL4732	LS-900
DCTI900827-750	DCT	9.000	8.274	0.750			8.980	RZ8176	
RDAI900837-526	RDA	9.000	8.375	0.526			8.990	RDA900-3	
SPGI900848-160	SPG	9.000	8.482	0.160			8.996	RZ8344	
DAGI900850-365	DAG	9.000	8.500	0.365			8.995	RZ8574	
RDAI900850-366	RDA	9.000	8.500	0.366			8.990	RDA900	
RDAI900850-591	RDA	9.000	8.500	0.591			8.990	RDA900-4	
TDAI900852-366	TDA	9.000	8.524	0.366			8.996	RZ8035	TRP900-4
CPRI900862-500	CPR	9.000	8.625	0.500				RZ4300	
LDAI925800-1660	LDA	9.250	8.000	1.660			9.238	RZ3513	LD55-BU
LWRI925850-1905	LWR	9.250	8.000	1.905	0.375	8.990	9.187		
RDAI925875-355	RDA	9.250	8.750	0.355			9.240	RDA925	
TDAI925877-366	TDA	9.250	8.774	0.366			9.246	RZ8036	TRP925-4
LDAI950825-1660	LDA	9.500	8.250	1.660			9.488	RZ3514	LD56-BU
LWRI950825-1905	LWR	9.500	8.250	1.905	0.375	9.240	9.437		
RDAI950850-789	RDA	9.500	8.500	0.789			9.490	RDA950-1	
SPGI950862-377	SPG	9.500	8.624	0.377			9.496	RZ8345	
SPGI950863-378	SPG	9.500	8.637	0.378			9.496	R63208	
RDAI950875-657	RDA	9.500	8.750	0.657			9.490	RDA950-2	
DCTI950877-750	DCT	9.500	8.774	0.750			9.480		
RDAI950887-526	RDA	9.500	8.875	0.526			9.490	RDA950-3	
SPGI950898-160	SPG	9.500	8.982	0.160			9.496	RZ8346	
RDAI950900-366	RDA	9.500	9.000	0.366			9.490	RDA950	
RDAI950900-591	RDA	9.500	9.000	0.591			9.490	RDA950-4	

PISTON SEALS DOUBLE ACTING IMPERIAL

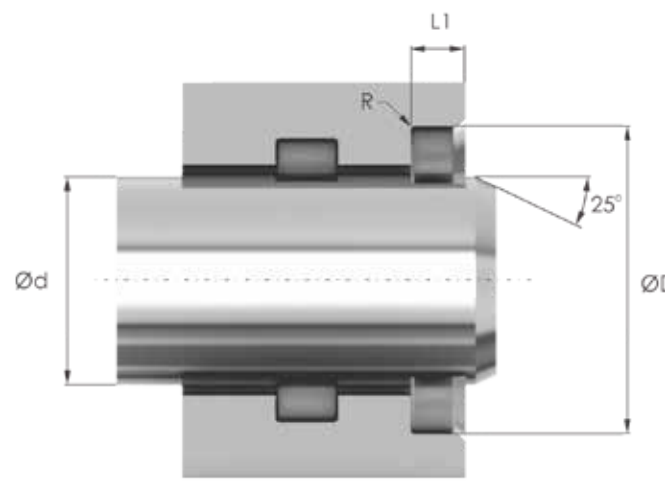
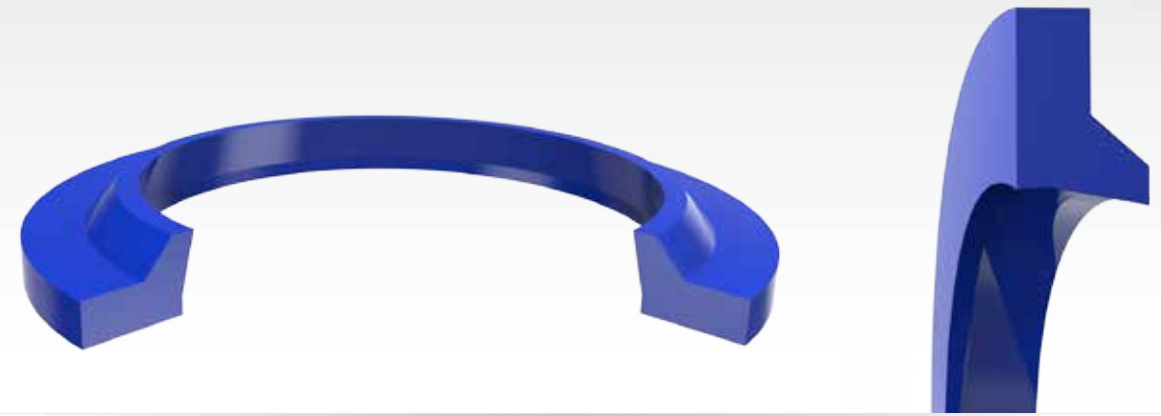
PISTON SEALS DOUBLE ACTING - IMPERIAL



PART N°	PROFILE	HOUSING DIMENSIONS						REFERENCE N°	ALTERNATIVE REFERENCE
		ØD	Ød	L1	L2	Ødw	Ødp		
TDAI950902-366	TDA	9.500	9.024	0.366			9.496	RZ8037	TRP950-4
LDAI975850-1660	LDA	9.750	8.500	1.660			9.738	RZ3515	LD57-BU
LWRI975850-1905	LWR	9.750	8.500	1.905	0.375	9.490	9.437		
JWRI975900-765	JWR	9.750	9.000	0.765	0.500	9.491	9.670	RZL975	LS-975WR
JDAI975900-765	JDA	9.750	9.000	0.765			9.740	RL4733	LS-975
LDAI1000875-1660	LDA	10.000	8.750	1.660			9.988	RZ3516	LD58-BU
LWRI1000875-1905	LWR	10.000	8.750	1.905	0.375	9.740	9.937		
RDAI1000900-789	RDA	10.000	9.000	0.789			9.990	RDA1000-1	
NWRI1000900-1250	NWR	10.000	9.000	1.250	0.375	9.740	9.937	R30851	
RCCI10000912-377	RCC	10.000	9.124	0.377			9.920		
SPGI1000912-37	SPG	10.000	9.124	0.377			9.997	RZ8347	
DAGI1000913-378	DAG	10.000	9.137	0.378			9.995	RZ8217	
SAQI1000916-375	SAQ	10.000	9.160	0.375			9.988	RAQ160	
SPGI1000917-320	SPG	10.000	9.170	0.320			9.997		
RDAI1000925-657	RDA	10.000	9.250	0.657			9.990	RDA1000-2	
DCTI1000927-750	DCT	10.000	9.275	0.750			9.980	R52473	
RDAI1000937-526	RDA	10.000	9.375	0.526			9.990	RDA1000-3	
SPGI1000948-160	SPG	10.000	9.482	0.160			9.997	RZ8348	
RDAI1000952-366	RDA	10.000	9.523	0.366			9.990	RDA1000-4	
TDAI1000952-366	TDA	10.000	9.524	0.366			9.996	RZ8038	TRP1000-4
DCTI1050939-687	DCT	10.500	9.398	0.687			10.480	RZ8178	
TDAI10501002-366	TDA	10.500	10.024	0.366			10.496	RZ8039	1050-4
LDAI1100975-1660	LDA	11.000	9.750	1.660			10.988		
LWRI1100975-1905	LWR	11.000	9.750	1.905	0.375	10.740	10.937		
JWRI11001025-765	JWR	11.000	10.250	0.765	0.500	10.741	10.920	RZL110	
JDAI11001025-765	JDA	11.000	10.250	0.765			10.899	RL4734	
TDAI11001052-366	TDA	11.000	10.524	0.366			10.996	RZ8648	TRP1100-4
TDAI11501102-366	TDA	11.500	11.024	0.366			11.496	RZ8649	TRP1150
RCCI12001112-377	RCC	12.000	11.124	0.377			11.920		
JWRI12001125-765	JWR	12.000	11.250	0.765	0.500	11.741	11.920	RZL120	
JDAI12001125-765	JDA	12.000	11.250	0.765			11.899	RL4735	
DCTI12001127-750	DCT	12.000	11.275	0.750			11.980	RZ8180	
TDAI12001152-366	TDA	12.000	11.524	0.366			11.996	RZ8650	TRP1200
DCTI12501177-750	DCT	12.500	11.775	0.750			12.480	RZ8181	
TDAI12501202-366	TDA	12.500	12.024	0.366			12.496	RZ8040	TRP1259-4
DCTI14001289-687	DCT	14.000	12.898	0.687			13.980	RZ8182	
CPR114001307-500	CPR	14.000	13.070	0.500				RZ4301	
DCTI14001327-750	DCT	14.000	13.275	0.750			13.980		



WIPER SEALS



TECHNICAL SPECIFICATIONS

SPECIFIED TOLERANCES			
ØD	Ød	L1	Rmax
H10	h9	+0.50 (+0.020) +0.0 (+0.000)	+0.30 (+0.012)

MAXIMUM OPERATING CONDITIONS	
Temp °C	Speed
-30° to +100° C	0.8 m/sec (2.5 ft/sec)

SURFACE FINISH	
DYNAMIC SEALING SURFACE	0.1 to 0.4 µm Ra
STATIC SEALING SURFACE	0.8 to 1.6 µm Ra
STATIC HOUSING FACE	1.4 to 3.2 µm Ra

MAX RADIUS	R
METRIC	0.40 mm
IMPERIAL	0.016 in

DESIGN

- Metal cased wiper with flexible wiping lip.
- Press fit into counter bore.
- Twin lip wiper.

MATERIAL

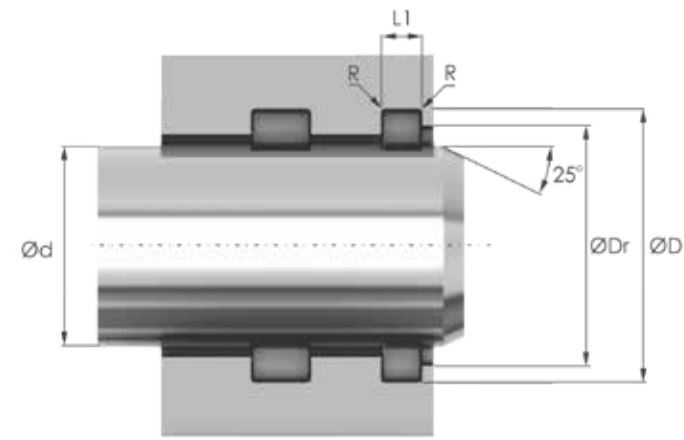
- Nitrile Rubber or Polyurethane.
- Mild Steel case.

APPLICATION

- Medium to heavy duty applications.
- Ideal for dry rod applications.
- Fits JIS housing.

FLUIDS

- Mineral based oils, water/glycol and water emulsions.



TECHNICAL SPECIFICATIONS

SPECIFIED TOLERANCES				
ØD	Ød	ØDr	L1	Rmax
+0.10 (+0.004)	h9	+0.12 (+0.005)	+0.08 (+0.003)	+0.25 (+0.010)
+0.0 (+0.000)		+0.0 (+0.000)	+0.0 (+0.000)	

MAXIMUM OPERATING CONDITIONS	
Temp °C	Speed
-30° to +100° C	0.5 m/sec (1.5 ft/sec)

SURFACE FINISH	
DYNAMIC SEALING SURFACE	0.1 to 0.4 µm Ra
STATIC SEALING SURFACE	0.8 to 1.6 µm Ra
STATIC HOUSING FACE	1.4 to 3.2 µm Ra

MAX RADIUS	R
METRIC	0.25 mm
IMPERIAL	0.010 in

DESIGN

- Snap-in wiper with flexible wiping lip to fit compact grooves.
- Designed to fit into AN 6231 and MS28776 grooves.
- Tough wear resistant polyurethane.
- Slotted heel design eliminates pressure build up.

MATERIAL

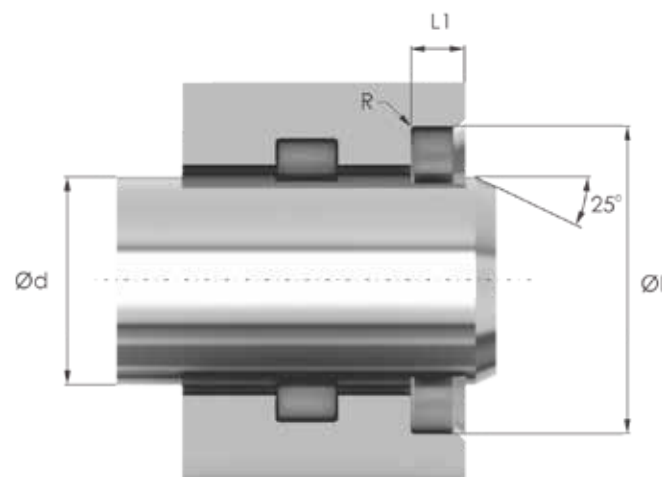
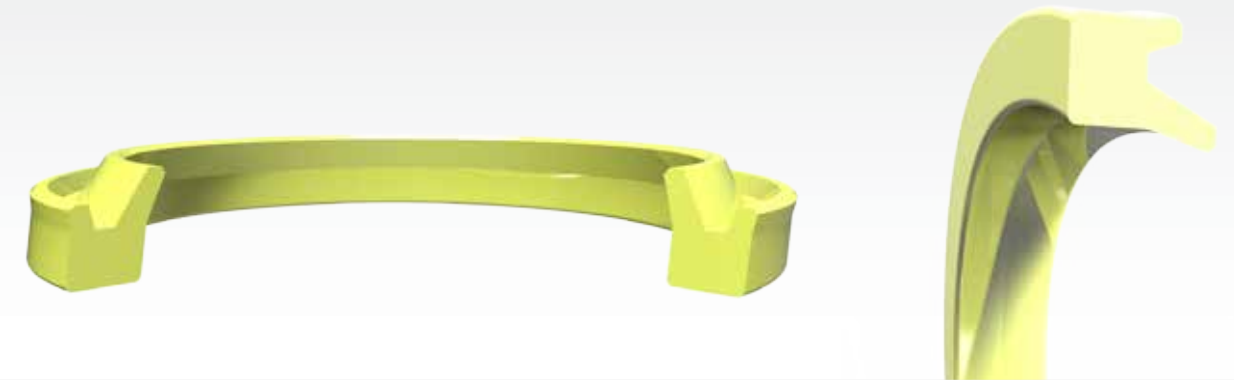
- Polyurethane.

APPLICATION

- Medium duty wiper seal.

FLUIDS

- Mineral based oils, water/glycol and water emulsions.



TECHNICAL SPECIFICATIONS

SPECIFIED TOLERANCES			
$\varnothing D$	$\varnothing d$	L1	Rmax
H10	h9	+ 0.50 (+ 0.020) + 0.0 (+ 0.000)	+ 0.30 (+ 0.012)

MAXIMUM OPERATING CONDITIONS	
Temp °C	Speed
- 30° to +100° C	0.8 m/sec (2.5 ft/sec)

SURFACE FINISH	
DYNAMIC SEALING SURFACE	0.1 to 0.4 μ m Ra
STATIC SEALING SURFACE	0.8 to 1.6 μ m Ra
STATIC HOUSING FACE	1.4 to 3.2 μ m Ra

MAX RADIUS	R
METRIC	0.40 mm
IMPERIAL	0.016 in

DESIGN

- Metal cased wiper with flexible wiping lip.
- Press fit into counter bore.

MATERIAL

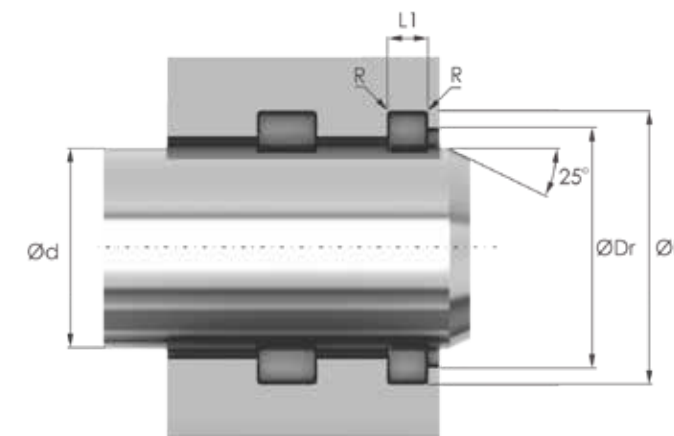
- Nitrile rubber or polyurethane.
- Mild steel case.

APPLICATION

- Medium to heavy duty applications.

FLUIDS

- Mineral based oils, water/glycol and water emulsions.



TECHNICAL SPECIFICATIONS

SPECIFIED TOLERANCES				
$\varnothing D$	$\varnothing d$	$\varnothing Dr$	L1	Rmax
H10	h9	\pm 0.10 (\pm 0.004)	+ 0.30 (+ 0.010) + 0.12 (+ 0.005)	+ 0.25 (+ 0.010)

MAXIMUM OPERATING CONDITIONS	
Temp °C	Speed
- 35° to +105° C	1.0 m/sec (3.0 ft/sec)

SURFACE FINISH	
DYNAMIC SEALING SURFACE	0.1 to 0.4 μ m Ra
STATIC SEALING SURFACE	0.8 to 1.6 μ m Ra
STATIC HOUSING FACE	1.4 to 3.2 μ m Ra

MAX RADIUS	R
METRIC	0.25 mm
IMPERIAL	0.010 in

DESIGN

- Moulded polyurethane wiper designed with a lip on the OD to aid in contaminant exclusion.
- Suitable for applications where aggravated contaminant exposure is likely.

MATERIAL

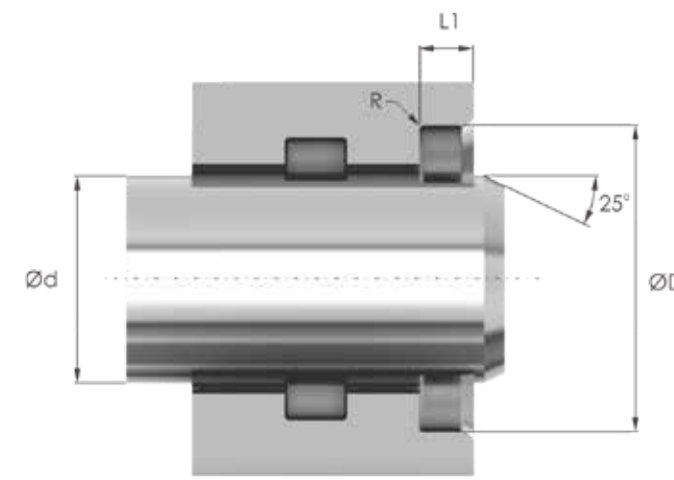
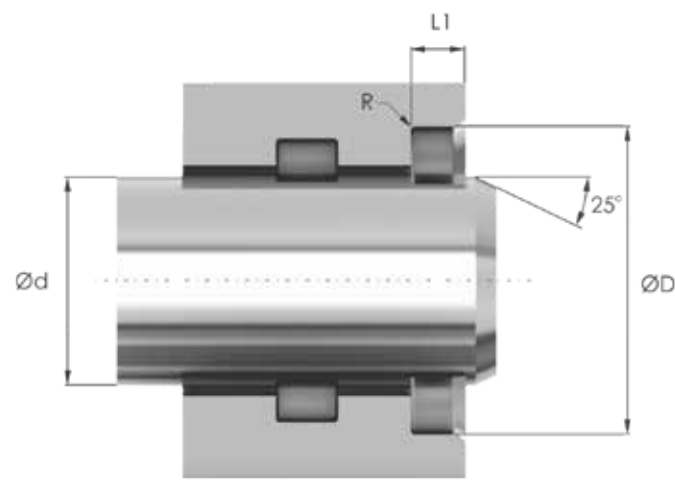
- 90A Polyurethane - material is extremely durable and resistant to wear.

APPLICATION

- Heavy duty earth moving and mining applications where contaminant exposure is likely.

FLUIDS

- Hydraulic fluids, petroleum fuels and oils.



TECHNICAL SPECIFICATIONS

SPECIFIED TOLERANCES			
ØD	Ød	L1	Rmax
H8	h9	+0.50 (+0.020)	+0.25 (+0.010)
		+0.0 (+0.000)	
MAXIMUM OPERATING CONDITIONS			
Temp °C		Speed	
- 30° to +100° C		0.8 m/sec (2.5 ft/sec)	
SURFACE FINISH			
DYNAMIC SEALING SURFACE		0.1 to 0.4 µm Ra	
STATIC SEALING SURFACE		0.8 to 1.6 µm Ra	
STATIC HOUSING FACE		1.4 to 3.2 µm Ra	
MAX RADIUS		R	
METRIC		0.40 mm	
IMPERIAL		0.016 in	

TECHNICAL SPECIFICATIONS

SPECIFIED TOLERANCES			
ØD	Ød	L1	Rmax
H8	h9	+0.50 (+0.020)	+0.25 (+0.010)
		+0.0 (+0.000)	
MAXIMUM OPERATING CONDITIONS			
Temp °C		Speed	
- 30° to +100° C		0.8 m/sec (2.5 ft/sec)	
SURFACE FINISH			
DYNAMIC SEALING SURFACE		0.1 to 0.4 µm Ra	
STATIC SEALING SURFACE		0.8 to 1.6 µm Ra	
STATIC HOUSING FACE		1.4 to 3.2 µm Ra	
MAX RADIUS		R	
METRIC		0.40 mm	
IMPERIAL		0.016 in	

DESIGN

- Metal cased wiper with flexible wiping lip.
- Press fit into counterbore.
- Compact dimensions.

MATERIAL

- Nitrile Rubber or Polyurethane.
- Mild Steel case.

APPLICATION

- Medium to heavy duty applications.
- Used for sealing pins in earthmoving equipment.

FLUIDS

- Mineral based oils, water/glycol and water emulsions.

DESIGN

- Metal cased wiper with flexible wiping lip.
- Press fit into counterbore.
- Compact dimensions.

MATERIAL

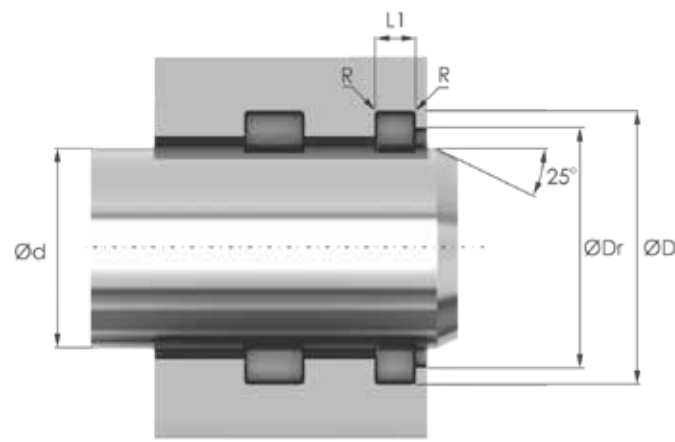
- Nitrile Rubber or Polyurethane.
- Mild Steel case.

APPLICATION

- Medium to heavy duty applications.
- Used for sealing pins in earthmoving equipment.

FLUIDS

- Mineral based oils, water/glycol and water emulsions.



TECHNICAL SPECIFICATIONS

SPECIFIED TOLERANCES				
$\varnothing D$	$\varnothing d$	$\varnothing Dr$	L1	Rmax
+ 0.25 (+ 0.010)	h9	+ 0.20 (+ 0.008)	+ 0.25 (+ 0.010)	+ 0.25 (+ 0.010)
+ 0.0 (+ 0.000)		+ 0.00 (+ 0.000)	- 0.00 (- 0.000)	

MAXIMUM OPERATING CONDITIONS	
Temp °C	Speed
- 30° to +100° C	1.0 m/sec (3.0 ft/sec)

SURFACE FINISH	
DYNAMIC SEALING SURFACE	0.1 to 0.4 μm Ra
STATIC SEALING SURFACE	0.8 to 1.6 μm Ra
STATIC HOUSING FACE	1.4 to 3.2 μm Ra

MAX RADIUS	R
METRIC	0.50 mm
IMPERIAL	0.020 in

DESIGN

- Moulded Nitrile wiper designed to fit into compact grooves.
- Flexible wiping lip aids in fine contaminant exclusion.

MATERIAL

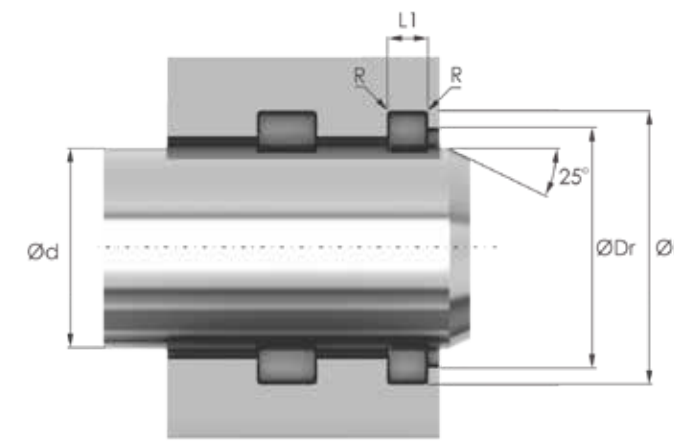
- Nitrile - precision moulded.
- Material flexibility enhances media exclusion.

APPLICATION

- Light-medium duty industrial machinery and factory equipment.

FLUIDS

- Hydraulic fluids, petroleum fuels and oils



TECHNICAL SPECIFICATIONS

SPECIFIED TOLERANCES				
$\varnothing D$	$\varnothing d$	$\varnothing Dr$	L1	Rmax
+ 0.12 (+ 0.005)	h9	+ 0.25 (+ 0.010)	+ 0.25 (+ 0.010)	+ 0.25 (+ 0.010)
+ 0.25 (+ 0.010)		- 0.00 (- 0.000)	- 0.00 (- 0.000)	

MAXIMUM OPERATING CONDITIONS	
Temp °C	Speed
- 35° to +100° C	0.8 m/sec (3.0 ft/sec)

SURFACE FINISH	
DYNAMIC SEALING SURFACE	0.1 to 0.4 μm Ra
STATIC SEALING SURFACE	0.8 to 1.6 μm Ra
STATIC HOUSING FACE	1.4 to 3.2 μm Ra

MAX RADIUS	R
METRIC	0.25 mm
IMPERIAL	0.010 in

DESIGN

- Moulded Nitrile wiper designed with twin lips to enhance seal seating in the cylinder throat which benefits contaminant exclusion.
- Suitable for applications where fine media contaminant exposure is likely.

MATERIAL

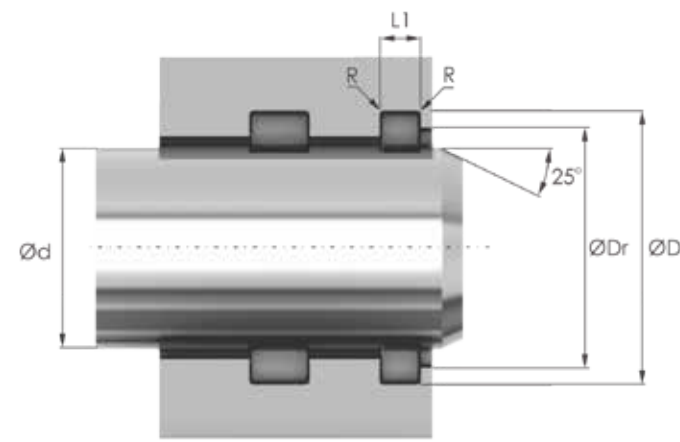
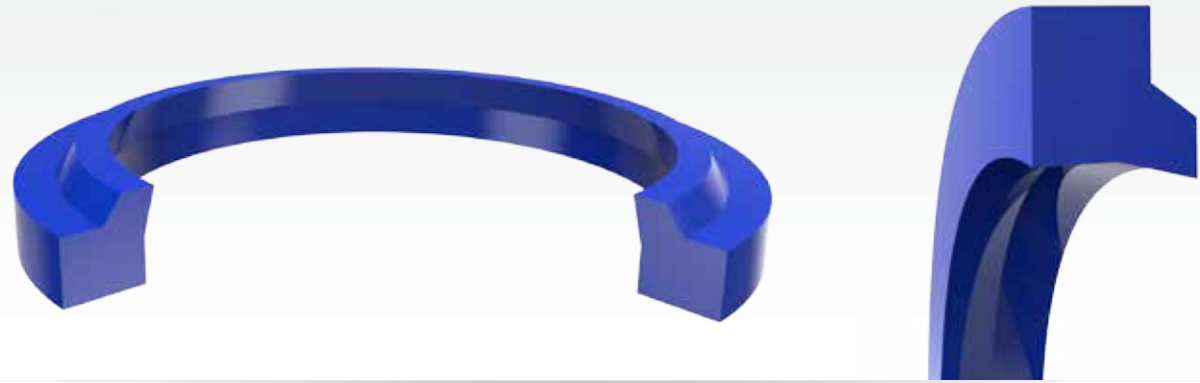
- Nitrile rubber
- Material flexibility enhances media exclusion.

APPLICATION

- Light-medium duty industrial machinery such as lift trucks and height access vehicles.

FLUIDS

- Mineral based oils, water/glycol and water emulsions



TECHNICAL SPECIFICATIONS

SPECIFIED TOLERANCES				
$\varnothing D$	$\varnothing d$	$\varnothing Dr$	L1	Rmax
H11	h9	± 0.10 (± 0.004)	+ 0.20 (+ 0.008) + 0.0 (+ 0.000)	+ 0.40 (+ 0.016)

MAXIMUM OPERATING CONDITIONS	
Temp °C	Speed
- 30° to +100° C	0.8 m/sec (2.5 ft/sec)

SURFACE FINISH	
DYNAMIC SEALING SURFACE	0.1 to 0.4 μm Ra
STATIC SEALING SURFACE	0.8 to 1.6 μm Ra
STATIC HOUSING FACE	1.4 to 3.2 μm Ra

MAX RADIUS	R
METRIC	0.40 mm
IMPERIAL	0.016 in

DESIGN

- Snap in wiper with flexible wiping lip
- Tough wear resistant polyurethane.
- Fits the same groove as the "WWS" series
- Secondary stabilising lip with pressure relieving grooves.

MATERIAL

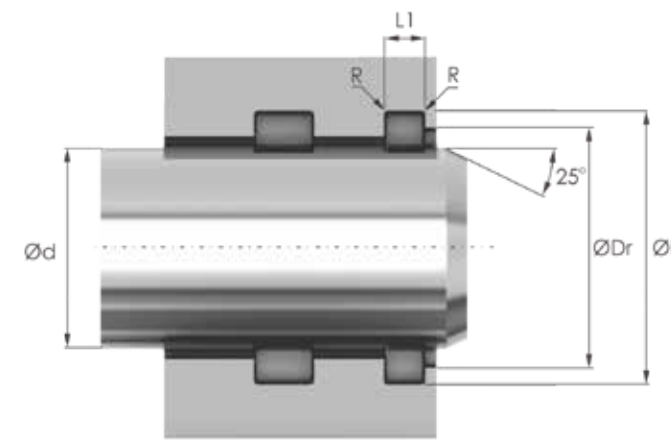
- Polyurethane

APPLICATION

- Ideal for wiping off smaller particles and dust.
- Used in agricultural equipment
- Medium duty applications

FLUIDS

- Mineral based oils, water/glycol and water emulsions



TECHNICAL SPECIFICATIONS

SPECIFIED TOLERANCES				
$\varnothing D$	$\varnothing d$	$\varnothing Dr$	L1	Rmax
+ 0.25 (+ 0.010) + 0.0 (+ 0.000)	h9	+ 0.20 (+ 0.008) + 0.0 (+ 0.000)	+ 0.25 (+ 0.010) - 0.00 (- 0.000)	+ 0.25 (+ 0.010)

MAXIMUM OPERATING CONDITIONS	
Temp °C	Speed
- 30° to +100° C	1.0 m/sec (3.0 ft/sec)

SURFACE FINISH	
DYNAMIC SEALING SURFACE	0.1 to 0.4 μm Ra
STATIC SEALING SURFACE	0.8 to 1.6 μm Ra
STATIC HOUSING FACE	1.4 to 3.2 μm Ra

MAX RADIUS	R
METRIC	0.50 mm
IMPERIAL	0.020 in

DESIGN

- Snap-in wiper with flexible wiping lip to fit compact grooves.

MATERIAL

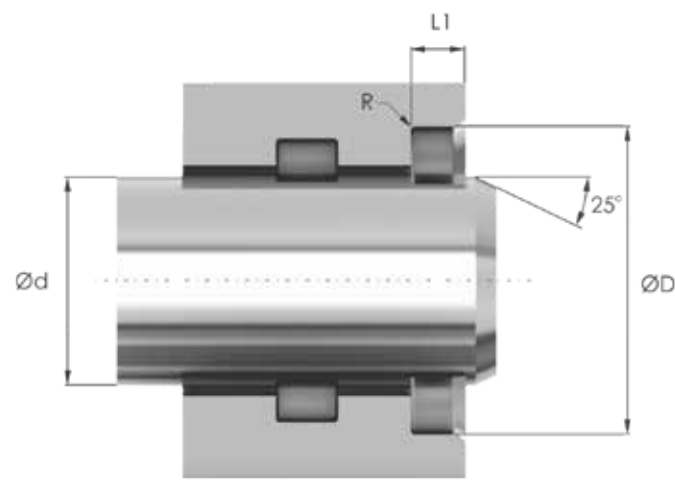
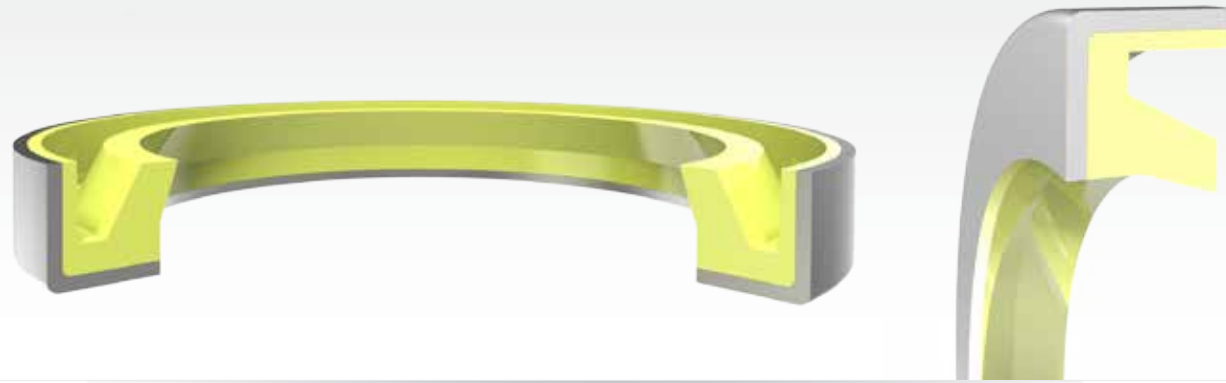
- Nitrile rubber

APPLICATION

- Ideal for wiping off smaller particles and dust.
- Light duty applications.

FLUIDS

- Mineral based oils, water/glycol and water emulsions



TECHNICAL SPECIFICATIONS

SPECIFIED TOLERANCES			
ØD	Ød	L1	Rmax
H10	h9	+0.50 (+0.020) +0.0 (+0.000)	+0.25 (+0.010)

MAXIMUM OPERATING CONDITIONS	
Temp °C	Speed
-30° to +100° C	0.8 m/sec (2.5 ft/sec)

SURFACE FINISH	
DYNAMIC SEALING SURFACE	0.1 to 0.4 µm Ra
STATIC SEALING SURFACE	0.8 to 1.6 µm Ra
STATIC HOUSING FACE	1.4 to 3.2 µm Ra

MAX RADIUS	R
METRIC	0.40 mm
IMPERIAL	0.016 in

DESIGN

- Press-in wiper with flexible wiping lip.
- Tough wear-resistant polyurethane.
- Fits into a counterbore.

MATERIAL

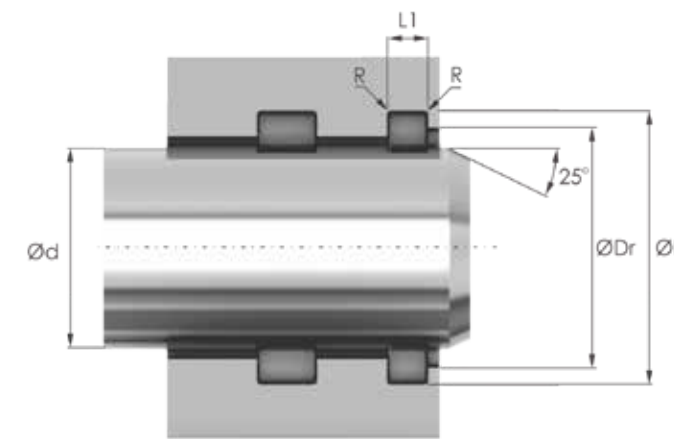
- Polyurethane.
- Mild steel case.

APPLICATION

- Heavy duty applications.
- Excellent for scraping off dirt and ice.

FLUIDS

- Mineral based oils, water/glycol and water emulsions



TECHNICAL SPECIFICATIONS

SPECIFIED TOLERANCES				
ØD	Ød	ØDr	L1	Rmax
H10	h9	+0.10 (+0.004) +0.0 (+0.000)	+0.30 (+0.012) +0.0 (+0.000)	+0.30 (+0.012)

MAXIMUM OPERATING CONDITIONS	
Temp °C	Speed
-30° to +100° C	0.8 m/sec (2.5 ft/sec)

SURFACE FINISH	
DYNAMIC SEALING SURFACE	0.1 to 0.4 µm Ra
STATIC SEALING SURFACE	0.8 to 1.6 µm Ra
STATIC HOUSING FACE	1.4 to 3.2 µm Ra

MAX RADIUS	R
METRIC	0.25 mm
IMPERIAL	0.010 in

DESIGN

- Snap-in wiper with flexible wiping lip.
- Tough wear resistant polyurethane.
- Slotted heel design eliminates pressure buildup.

MATERIAL

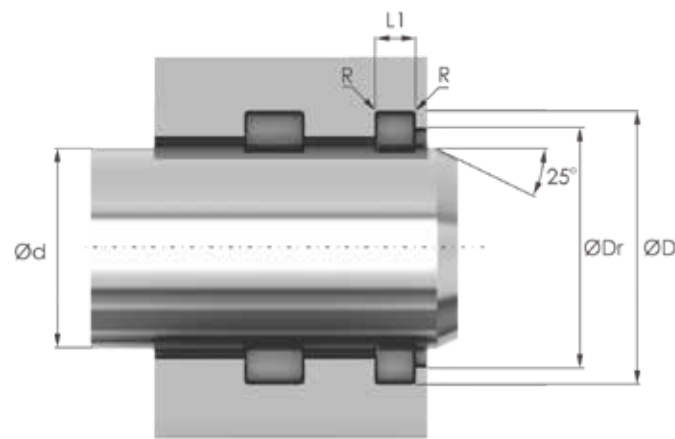
- Snap-in wiper with flexible wiping lip.
- Tough wear resistant polyurethane.
- Slotted heel design eliminates pressure buildup.

APPLICATION

- Medium to heavy duty wiper seal.

FLUIDS

- Mineral based oils, water/glycol and water emulsions



TECHNICAL SPECIFICATIONS

SPECIFIED TOLERANCES				
ØD	Ød	ØDr	L1	Rmax
+ 0.50 (+ 0.020)	h9	± 0.10 (± 0.004)	+ 0.50 (+ 0.020)	+ 0.25 (+ 0.010)
+ 0.25 (+ 0.010)		- 0.00 (- 0.000)	+ 0.25 (+ 0.010)	
MAXIMUM OPERATING CONDITIONS				
Temp °C		Speed		
- 30° to +100° C		4.0 m/sec (12.0 ft/sec)		
SURFACE FINISH				
DYNAMIC SEALING SURFACE		0.1 to 0.4 µm Ra		
STATIC SEALING SURFACE		0.8 to 1.6 µm Ra		
STATIC HOUSING FACE		1.4 to 3.2 µm Ra		
MAX RADIUS		R		
METRIC		0.25 mm		
IMPERIAL		0.010 in		

DESIGN

- Snap in wiper with flexible wiping lip
- Long flexible wiping lip

MATERIAL

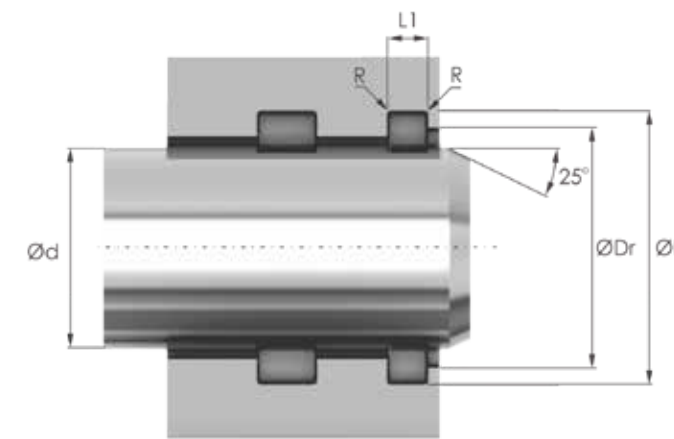
- Rubber or polyurethane

APPLICATION

- Ideal for wiping off smaller particles and dust
- Light to medium duty applications

FLUIDS

- Mineral based oils, water/glycol and water emulsions



TECHNICAL SPECIFICATIONS

SPECIFIED TOLERANCES				
ØD	Ød	ØDr	L1	Rmax
+ 0.12 (+ 0.005)	h9	+ 0.12 (+ 0.005)	+ 0.25 (+ 0.010)	+ 0.30 (+ 0.012)
+ 0.00 (+ 0.000)			+ 0.0 (+ 0.000)	
MAXIMUM OPERATING CONDITIONS				
Temp °C		Speed		
- 30° to +100° C		5.0 m/sec (15.0 ft/sec)		
SURFACE FINISH				
DYNAMIC SEALING SURFACE		0.1 to 0.4 µm Ra		
STATIC SEALING SURFACE		0.8 to 1.6 µm Ra		
STATIC HOUSING FACE		1.4 to 3.2 µm Ra		
MAX RADIUS		R		
METRIC		0.40 mm		
IMPERIAL		0.016 in		

DESIGN

- Nylon wiper scraper
- Snaps into groove

MATERIAL

- Nylon

APPLICATION

- Heavy duty applications
- Ideal for scraping off dirt, ice and heavy sludge particles

FLUIDS

- Hydraulic fluids & petroleum fuels & oils



TECHNICAL SPECIFICATIONS

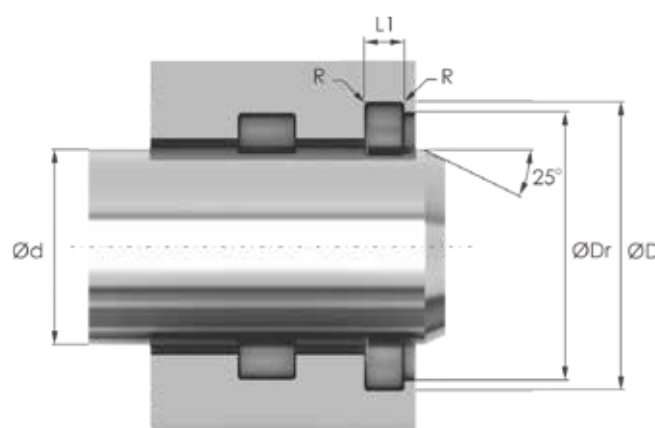
SPECIFIED TOLERANCES					
ØD	Ød	ØDr	L1	L2	Rmax
D10	h9	+ 0.20 (+ 0.008)	+ 0.25 (+ 0.010)	+ 0.25 (+ 0.010)	+ 0.25 (+ 0.010)
		- 0.00 (- 0.000)	- 0.00 (- 0.000)	- 0.00 (- 0.000)	

MAXIMUM OPERATING CONDITIONS	
Temp °C	Speed
- 30° to +100° C	0.8 m/sec (2.5 ft/sec)

SURFACE FINISH	
DYNAMIC SEALING SURFACE	0.1 to 0.4 µm Ra
STATIC SEALING SURFACE	0.8 to 1.6 µm Ra
STATIC HOUSING FACE	1.4 to 3.2 µm Ra

ROD DIAMETER	R
Ød ≤ 100 mm	= 1.0 mm
Ød > 100 mm	= 1.5 mm

MAX RADIUS	R
METRIC	0.25 mm
IMPERIAL	0.010 in



DESIGN

- Snap-in wiper with flexible wiping tip
- Fits the same groove as the WPU series
- Twin lip design ensures dry rod sealing

MATERIAL

- Polyurethane

APPLICATION

- Ideal for wiping off smaller particles and dust
- Used in agricultural equipment
- Light to medium duty applications
- Used in pneumatic equipment

FLUIDS

- Mineral based oils, water/glycol and water emulsions

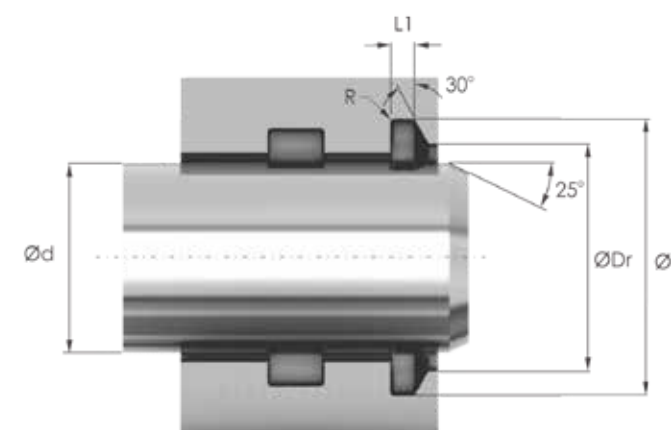
TECHNICAL SPECIFICATIONS

SPECIFIED TOLERANCES				
ØD	Ød	ØDr	L1	Rmax
+ 0.25 (+ 0.010)	h9	± 0.10 (± 0.004)	+ 0.25 (+ 0.010)	+ 0.25 (+ 0.010)
+ 0.12 (+ 0.005)			+ 0.12 (+ 0.005)	

MAXIMUM OPERATING CONDITIONS	
Temp °C	Speed
- 30° to +100° C	0.8 m/sec (2.5 ft/sec)

SURFACE FINISH	
DYNAMIC SEALING SURFACE	0.1 to 0.4 µm Ra
STATIC SEALING SURFACE	0.8 to 1.6 µm Ra
STATIC HOUSING FACE	1.4 to 3.2 µm Ra

MAX RADIUS	R
METRIC	0.25 mm
IMPERIAL	0.010 in



DESIGN

- Snap-in wiper with flexible wiping lip
- Tough wear-resistant polyurethane
- Fits the same groove as the WWS series
- Secondary stabilising lip with pressure relieving grooves

MATERIAL

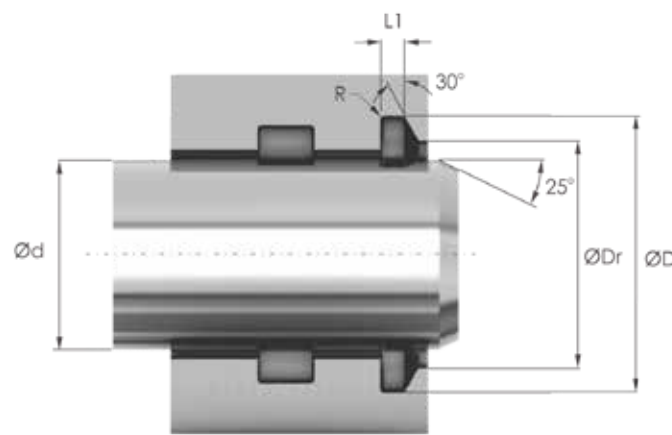
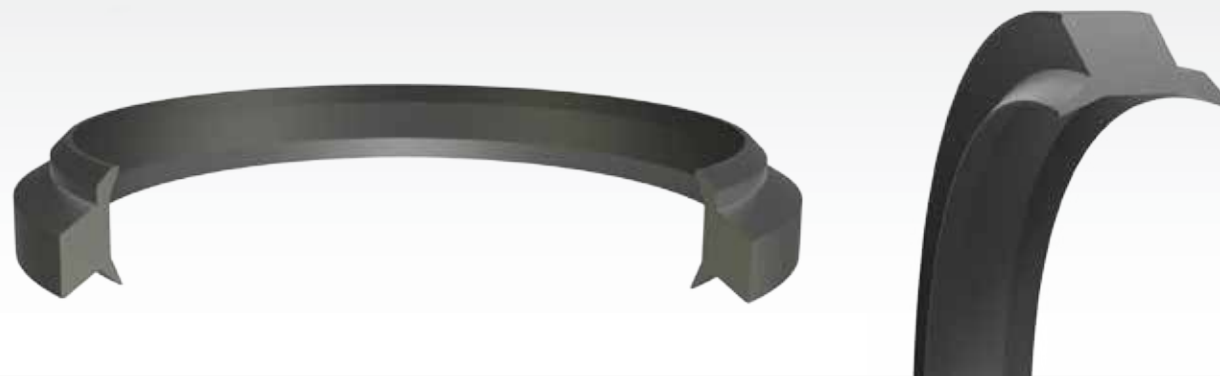
- Polyurethane

APPLICATION

- Ideal for wiping off smaller particles and dust
- Used in agricultural equipment
- Medium duty applications

FLUIDS

- Mineral based oils, water/glycol and water emulsions



TECHNICAL SPECIFICATIONS

SPECIFIED TOLERANCES				
ØD	Ød	ØDr	L1	Rmax
+ 0.12 (+ 0.005)	h9	+ 0.25 (+ 0.010)	+ 0.25 (+ 0.010)	+ 0.25 (+ 0.010)
+ 0.25 (+ 0.010)		- 0.00 (- 0.000)	- 0.0 (- 0.000)	

MAXIMUM OPERATING CONDITIONS	
Temp °C	Speed
- 30° to +90° C	0.8 m/sec (2.5 ft/sec)

SURFACE FINISH	
DYNAMIC SEALING SURFACE	0.1 to 0.4 µm Ra
STATIC SEALING SURFACE	0.8 to 1.6 µm Ra
STATIC HOUSING FACE	1.4 to 3.2 µm Ra

MAX RADIUS	R
METRIC	0.25 mm
IMPERIAL	0.010 in

DESIGN

- Snap in wiper with flexible wiper lip.
- Fits in the same groove as the "WPU" wiper.
- Twin lip design ensures dry rod sealing and prevents fluid escape from the gland as well as aiding in the exclusion of fine media contaminants.

MATERIAL

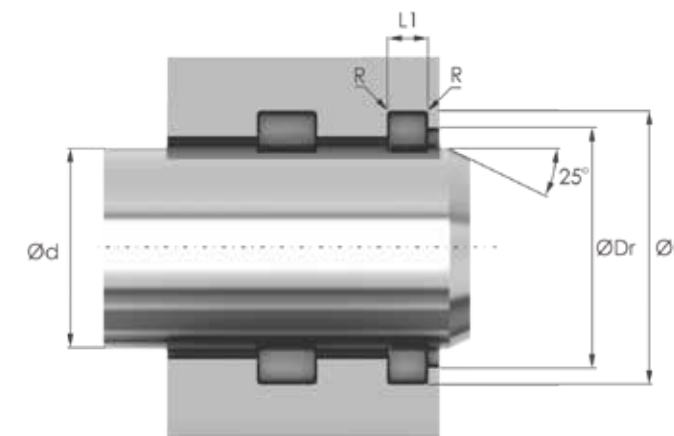
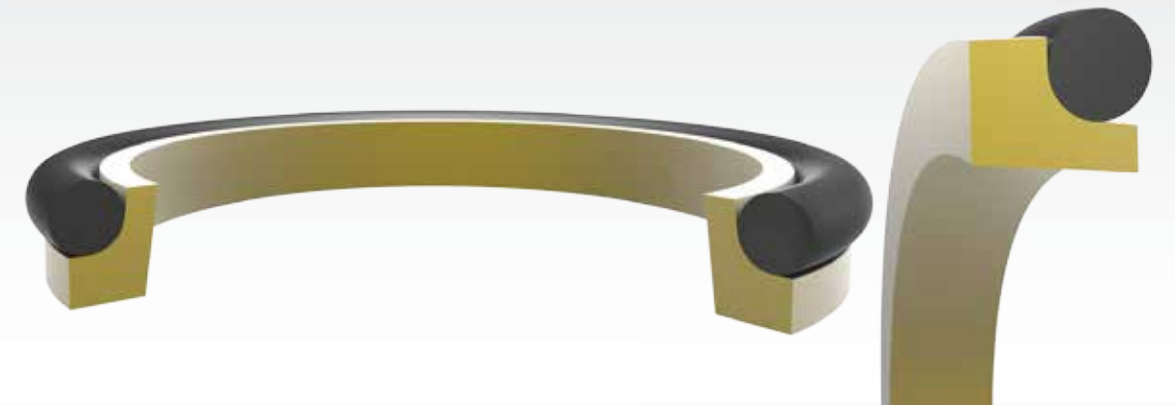
- Nitrile - Precision moulded.

APPLICATION

- Ideal for wiping off smaller particles and dust.
- Ideally suited to light to medium duty agricultural applications.
- Can be used in pneumatic equipment.

FLUIDS

- Hydraulic fluids & petroleum fuels & oils



TECHNICAL SPECIFICATIONS

SPECIFIED TOLERANCES				
ØD	Ød	ØDr	L1	Rmax
+ 0.25 (+ 0.010)	h9	+ 0.20 (+ 0.008)	+ 0.25 (+ 0.010)	+ 0.25 (+ 0.010)
+ 0.0 (+ 0.000)		+ 0.00 (+ 0.000)	- 0.00 (- 0.000)	

MAXIMUM OPERATING CONDITIONS	
Temp °C	Speed
- 35° to +100° C	5.0 m/sec (15.0 ft/sec)

SURFACE FINISH	
DYNAMIC SEALING SURFACE	0.1 to 0.4 µm Ra
STATIC SEALING SURFACE	0.8 to 1.6 µm Ra
STATIC HOUSING FACE	1.4 to 3.2 µm Ra

MAX RADIUS	R
METRIC	0.50 mm
IMPERIAL	0.020 in

DESIGN

- Energised single lip wiper dsigned to work in environments where excess heat and friction can cause other materials to soften excessively.
- Energising O-Ring ensures maximum constant contact with the rod.

MATERIAL

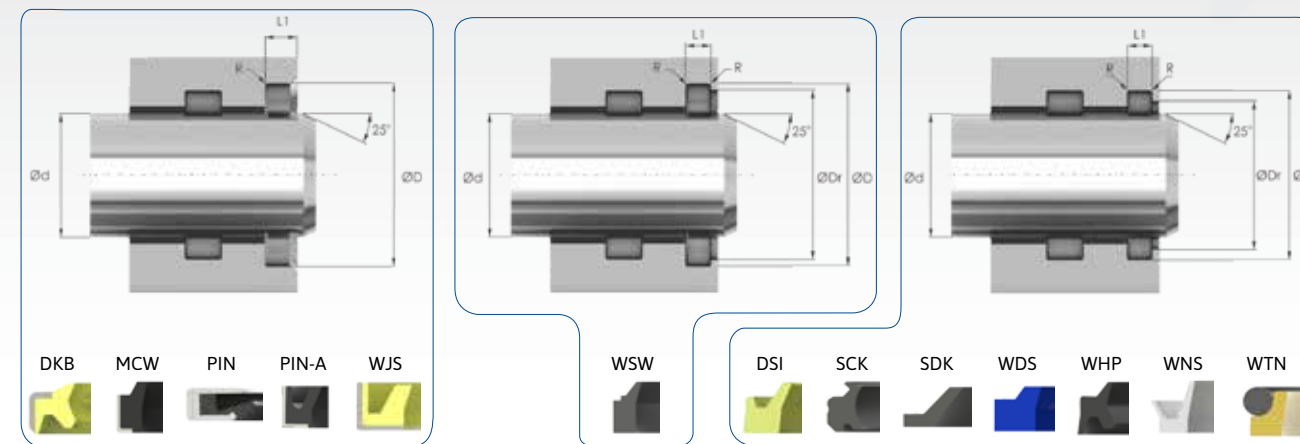
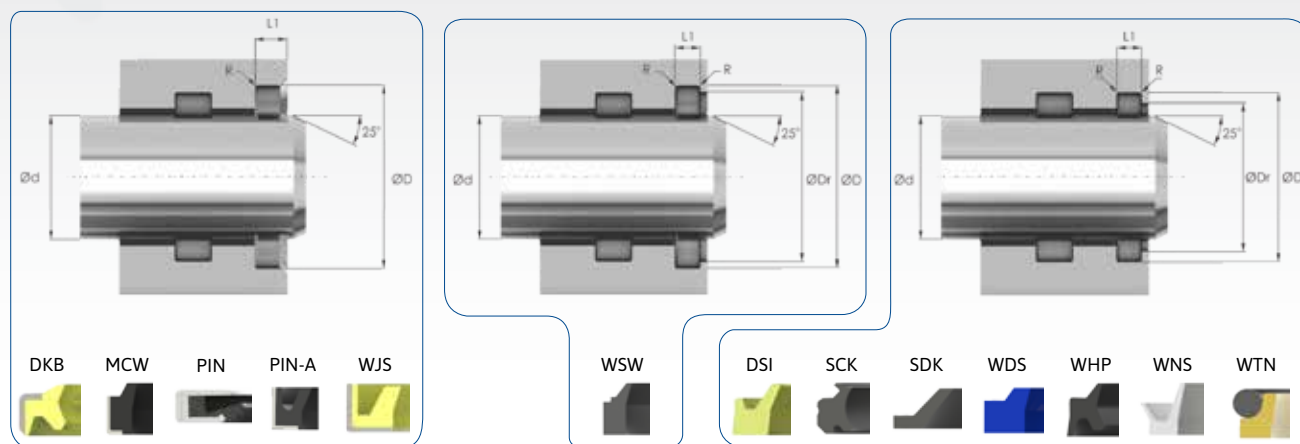
- Molybdenum and Bronze filled teflon main element.
- Nitrile O-Ring energiser.

APPLICATION

- Machines where excessive friction and reciprocating speeds may cause other materials to soften and allow ingress of contaminants.

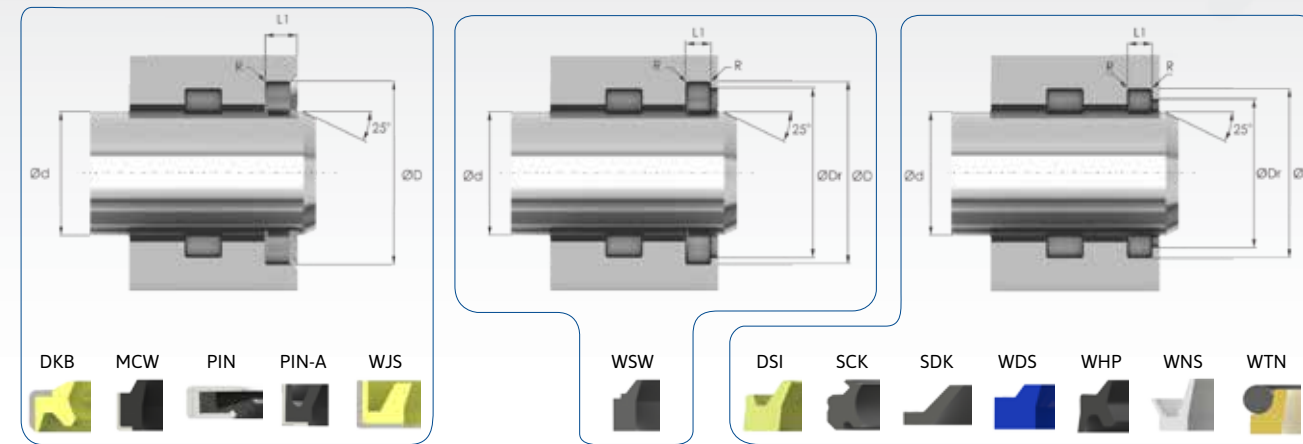
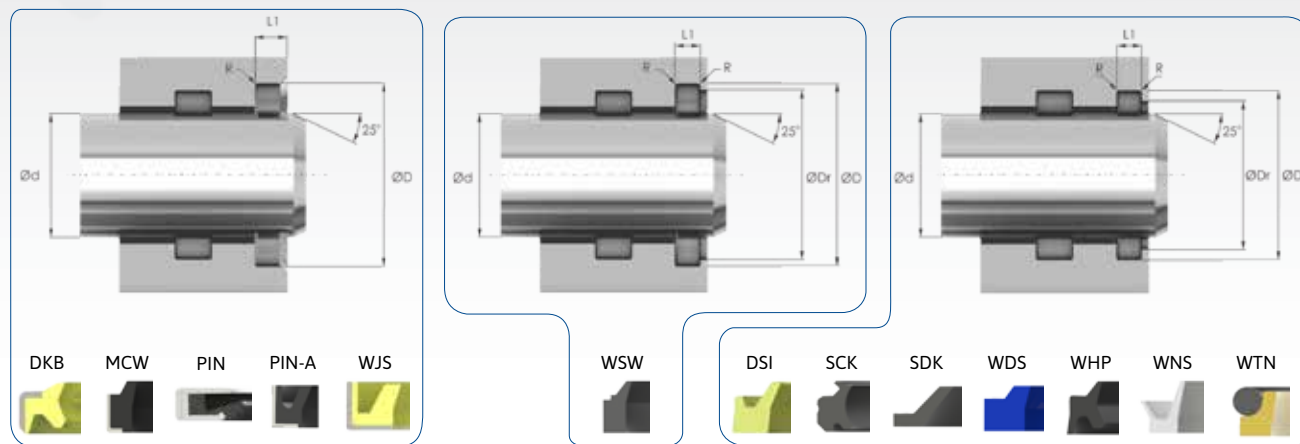
FLUIDS

- Hydraulic fluids, petroleum fuels and oils



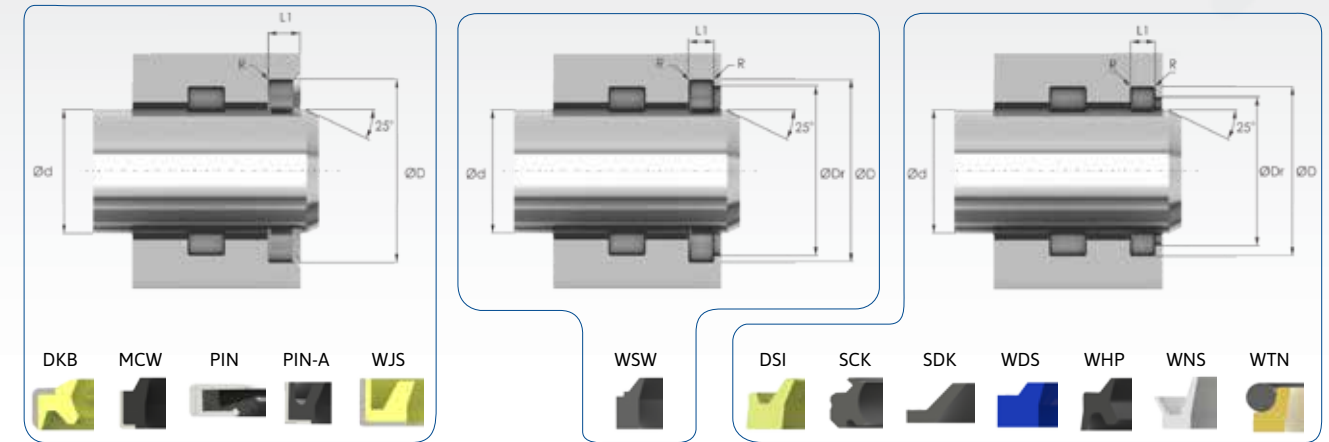
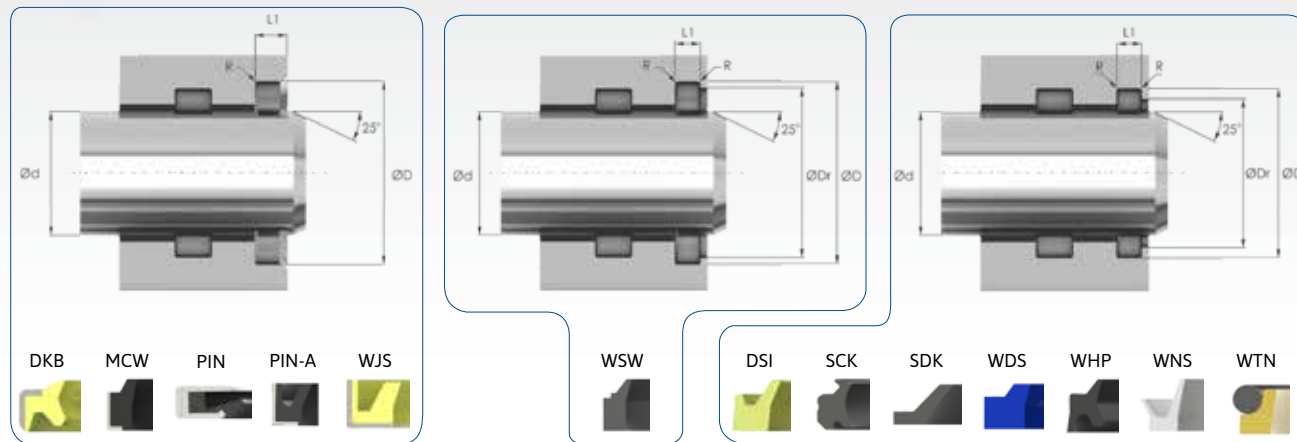
PART N°	PROFILE	HOUSING DIMENSIONS					REFERENCE N°
		$\varnothing d$	$\varnothing D$	SH	L1	$\varnothing dr$	
WTNM004008-037	WTN	4.00	8.80	3.70			
WTNM005098-037	WTN	5.00	9.80	3.70			
WDSM006012-030	WDS	6.00	12.00	3.00	5.00	9.00	
WTNM007011-037	WTN	7.00	11.0	3.70			
WTNM008012-037	WTN	8.00	12.8	3.70			
WHPM008014-045U	WHP	8.00	14.00	4.50	5.50	11.00	
WHPM008014-045N	WHP	8.00	14.00	4.50	5.50	11.00	
WDSM008014-038	WDS	8.00	14.60	3.80	5.00	11.00	
WSWM008016-040	WSW	8.00	16.00	4.00	7.00	14.00	
WHPM010014-040N	WHP	10.00	14.00	4.00	6.00		
WTNM010014-037	WTN	10.00	14.80	3.70			
WDSM010016-038	WDS	10.00	16.60	3.80	5.00	13.00	
WHPM010017-070S	WHP	10.00	17.00	7.00	9.50		
WHPM010018-050U	WHP	10.00	18.00	5.00	6.00	14.00	
WHPM010018-050N	WHP	10.00	18.00	5.00	6.00	14.00	
WSWM010018-040	WSW	10.00	18.00	4.00	7.00	16.00	
WHPM010020-055U	WHP	10.00	20.00	5.50	6.50	14.00	
WHPM010020-055N	WHP	10.00	20.00	5.50	6.50	14.00	
WHPM010020-070S	WHP	10.00	20.00	7.00	9.50		
WDSM012016-032	WDS	12.00	16.00	3.20	3.90	13.40	
WHPM012016-040N	WHP	12.00	16.00	4.00	6.00		
WHPM012018-040U	WHP	12.00	18.00	4.00	7.00		
WDSM012018-038	WDS	12.00	18.60	3.80	5.30	15.00	
WTNM012018-050	WTN	12.00	18.80	5.00			
WHPM012020-050N	WHP	12.00	20.00	5.00	6.00	16.00	
WSWM012020-040	WSW	12.00	20.00	4.00	7.00	18.00	
WHPM012020-060S	WHP	12.00	20.00	6.00	8.50		
WHPM012022-055U	WHP	12.00	22.00	5.50	6.50	16.00	
WHPM012022-055N	WHP	12.00	22.00	5.50	6.50	16.00	
WHPM012022-070S	WHP	12.00	22.00	7.00	9.50		
WDSM013019-038	WDS	13.00	19.60	3.80	5.00	19.60	
WHPM014018-040N	WHP	14.00	18.00	4.00	6.00		
WHPM014020-040U	WHP	14.00	20.00	4.00	7.00		
WDSM014020-038	WDS	14.00	20.60	3.80	5.30	17.00	
WTNM014020-050	WTN	14.00	20.80	5.00			
WHPM014022-050N	WHP	14.00	22.00	5.00	6.00		
WSWM014022-040	WSW	14.00	22.00	4.00	7.00	20.00	
WHPM014024-055U	WHP	14.00	24.00	5.50	6.50	18.00	
WHPM014024-055N	WHP	14.00	24.00	5.50	6.50	18.00	
WHPM014024-070S	WHP	14.00	24.00	7.00	9.50		
WDSM015021-038	WDS	15.00	21.60	3.80	5.00	18.00	
WTNM015021-050	WTN	15.00	21.80	5.00			
WSWM015023-040	WSW	15.00	23.00	4.00	7.00	21.00	
WHPM015025-055U	WHP	15.00	25.00	5.50	6.50	19.00	
WHPM015025-055N	WHP	15.00	25.00	5.50	6.50	19.00	

PART N°	PROFILE	HOUSING DIMENSIONS					REFERENCE N°
		$\varnothing d$	$\varnothing D$	SH	L1	$\varnothing dr$	
DKBM015025-050	DKB	15.00	25.00	5.00	8.00		
WDSM016022-038	WDS	16.00	22.60	3.80	5.00	19.00	
WTNM016022-050	WTN	16.00	22.80	5.00			
WDSM016024-050	WDS	16.00	24.00	5.00	6.00	20.30	
WHPM016024-050N	WHP	16.00	24.00	5.00	6.00		
WSWM016024-040	WSW	16.00	24.00	4.00	7.00	22.00	
WNSM016026-045	WNS	16.00	26.00	4.50	6.50		
WHPM016026-070S	WHP	16.00	26.00	7.00	8.50		
WDSM017023-038	WDS	17.00	23.60	3.80	5.00	20.00	
WJSM018024-045	WJS	18.00	24.00	4.50	4.50		
WHPM018024-040U	WHP	18.00	24.00	4.00	7.00		
WDSM018024-038	WDS	18.00	24.60	3.80	5.30	21.00	
WTNM018024-050	WTN	18.00	24.80	5.00			
WHPM018026-050N	WHP	18.00	26.00	5.00	6.00		
WSWM018026-040	WSW	18.00	26.00	4.00	7.00	24.00	
WDSM018026-053N	WDS	18.00	26.00	5.30	7.00		
WHPM018026-060S	WHP	18.00	26.00	6.00	9.50		
WHPM018028-055N	WHP	18.00	28.00	5.50	6.50		
WHPM018028-055U	WHP	18.00	28.00	5.50	6.50		
WHPM018028-060N	WHP	18.00	28.00	6.00	7.00		
WHPM018028-070S	WHP	18.00	28.00	7.00	9.50		
DKBM018030-070	DKB	18.00	30.00	6.00	9.00		
WDSM020024-032	WDS	20.00	24.00	3.20	3.90	21.40	
WHPM020025-040U	WHP	20.00	25.00	4.00	6.00		
WHPM020026-040U	WHP	20.00	26.00	4.00	6.00		
WTNM020026-050	WTN	20.00	26.80	5.00			
WDSM020027-040V	WDS	20.00	27.00	4.00	6.50		
WHPM020028-045N	WHP	20.00	28.00	4.00	6.00		
WDSM020028-041N	WDS	20.00	28.00	4.10	6.00		
WHPM020028-050U	WHP	20.00	28.00	5.00	6.00		
WSWM020028-040	WSW	20.00	28.00	4.00	7.00	26.00	
WDSM020028-050P	WDS	20.00	28.00	5.00	8.00		
WHPM020028-060N	WHP	20.00	28.00	6.00	8.00		
WDSM020028-053	WDS	20.00	28.60	5.30	7.00	23.00	
WHPM020030-070N	WHP	20.00	30.00	7.00	7.50	24.00	
WHPM020030-070S	WHP	20.00	30.00	7.00	9.50		
SCKM020032-060	SCK	20.00	32.00	6.00	7.70		
DKBM020032-060	DKB	20.00	32.00	6.00	9.00		
WNSM020033-060	WNS	20.00	33.00	6.00	8.50		
PINM022028-040	PIN	22.00	28.00	4.00	4.00		
WHPM022028-040U	WHP	22.00	28.00	4.00	7.00		
WTNM022028-050	WTN	22.00	28.80	5.00			
PINM022030-040	PIN	22.00	30.00	4.00	4.00		
WHPM022030-050N	WHP	22.00	30.00	5.00	6.00		
WSWM022030-040	WSW	22.00	30.00	4.00	7.00	28.00	



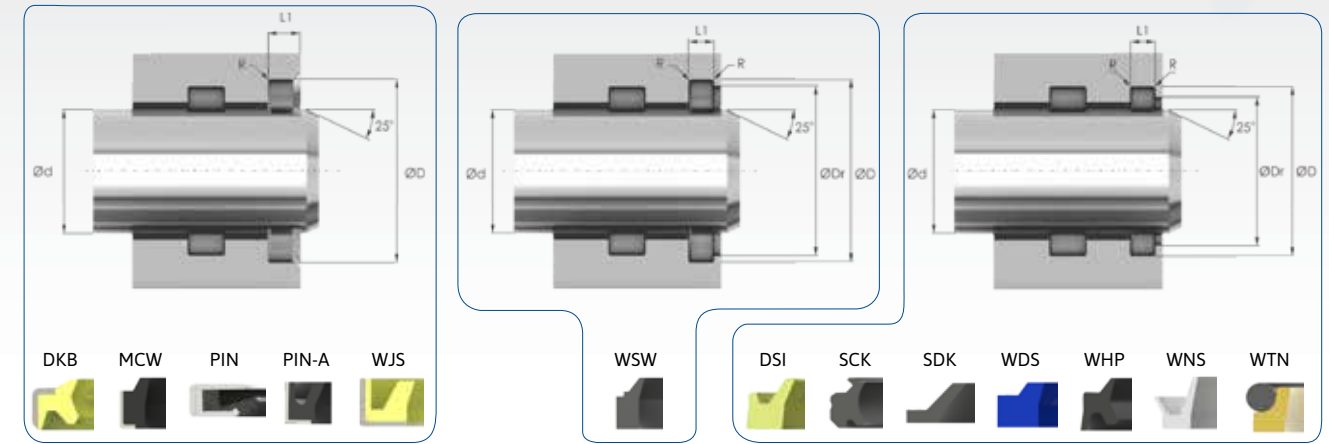
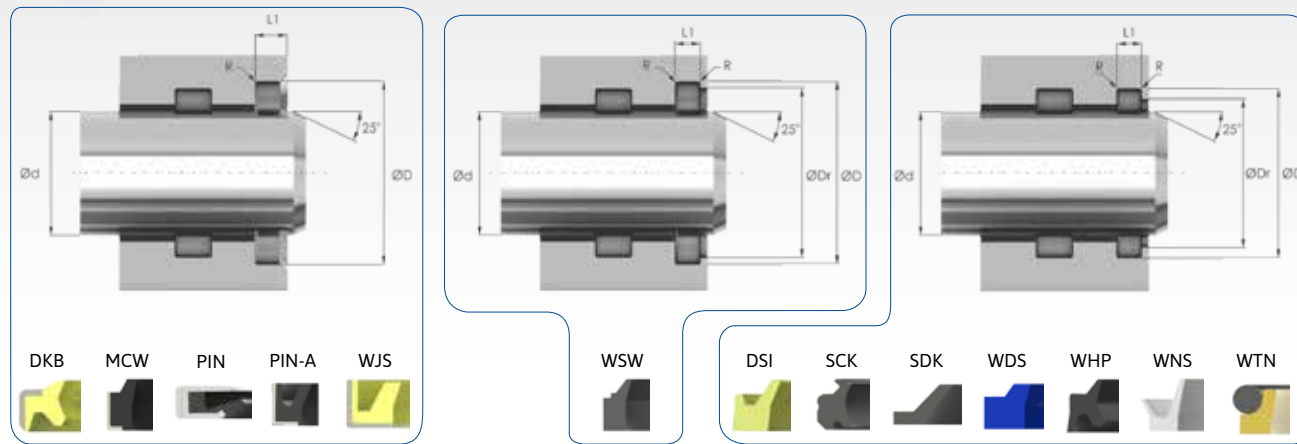
PART N°	PROFILE	HOUSING DIMENSIONS					REFERENCE N°
		$\varnothing d$	$\varnothing D$	SH	L1	$\varnothing dr$	
WHPM022030-060N	WHP	22.00	30.00	6.00	8.00		
WHPM022030-053U	WHP	22.00	30.60	5.30	7.00	25.00	
WDSM022030-053	WDS	22.00	30.60	5.30	7.00	25.00	
WHPM022032-060N	WHP	22.00	32.00	6.00	7.00		
WHPM022032-060U	WHP	22.00	32.00	6.00	7.00		
WHPM022032-070N	WHP	22.00	32.00	7.00	8.00		
WHPM022032-070S	WHP	22.00	32.00	7.00	9.50		
DKBM022034-060	DKB	22.00	34.00	6.00	9.00		
WNSM022035-060	WNS	22.00	35.00	6.00	8.50		
WHPM022030-050AU	WHP	22.40	30.40	5.00	6.00		
WTNM024030-050	WTN	24.00	30.80	5.00			
WSWM024032-040	WSW	24.00	32.00	4.00	7.00	30.00	
WDSM024032-053	WDS	24.00	32.60	5.30	7.00	27.00	
WHPM025031-040U	WHP	25.00	31.00	4.00	7.00		
WTNM025031-050	WTN	25.00	31.80	5.00			
PINM025032-040	PIN	25.00	32.00	4.00	4.00		
WJSM025032-050	WJS	25.00	32.00	5.00	5.00		
WDSM025032-040V	WDS	25.00	32.00	4.00	6.20		
WJSM025033-050	WJS	25.00	33.00	5.00	5.00		
WHPM025033-050U	WHP	25.00	33.00	5.00	6.00		
WSWM025033-040	WSW	25.00	33.00	4.00	7.00	31.00	
WDSM025033-050P	WDS	25.00	33.00	5.00	8.00		
WHPM025033-060N	WHP	25.00	33.00	6.00	8.00		
WDSM025033-053	WDS	25.00	33.60	5.30	7.00	28.00	
PINM025035-040/1	PIN	25.00	35.00	4.00	4.00		
PINM025035-040	PIN	25.00	35.00	4.00	4.00		
WHPM025035-070N	WHP	25.00	35.00	7.00	7.50		
WHPM025035-070U	WHP	25.00	35.00	7.00	7.50		
DKBM025035-060	DKB	25.00	35.00	6.00	9.00		
WHPM025035-070S	WHP	25.00	35.00	7.00	9.50		
SCKM025037-060	SCK	25.00	37.00	6.00	7.70		
DKBM025037-060	DKB	25.00	37.00	6.00	9.00		
WNSM025038-060	WNS	25.00	38.00	6.00	8.50		
WJSM025040-100	WJS	25.00	40.00	10.00	10.00		
WTNM026032-050	WTN	26.00	32.80	5.00			
WSWM026034-040	WSW	26.00	34.00	4.00	7.00	32.00	
WDSM028034-047	WDS	28.00	34.00	4.70	5.80	31.00	
WTNM028034-050	WTN	28.00	34.80	5.00			
WDSM028036-041N	WDS	28.00	36.00	4.10	6.00		
WHPM028036-050U	WHP	28.00	36.00	5.00	6.00		
WSWM028036-040	WSW	28.00	36.00	4.00	7.00	34.00	
WDSM028036-050P	WDS	28.00	36.00	5.00	8.00		
WDSM028036-053	WDS	28.00	36.60	5.30	7.00	31.00	
WDSM028036-053V	WDS	28.00	36.60	5.30	7.00		
WHPM028038-070N	WHP	28.00	38.00	7.00	7.50		

PART N°	PROFILE	HOUSING DIMENSIONS					REFERENCE N°
		$\varnothing d$	$\varnothing D$	SH	L1	$\varnothing dr$	
WHPM028038-070U	WHP	28.00	38.00	7.00	7.50		
WNSM028041-060	WNS	28.00	41.00	6.00	8.50		
WTNM030036-050	WTN	30.00	36.80	5.00			
WHPM030038-060U	WHP	30.00	38.00	6.00	6.50		
WSWM030038-040	WSW	30.00	38.00	4.00	7.00	36.00	
WDSM030038-053/1	WDS	30.00	38.00	5.30	7.00	33.00	
WDSM030038-050P	WDS	30.00	38.00	5.00	8.00		
WDSM030038-053	WDS	30.00	38.60	5.30	7.00	33.40	
PINM030040-040/1	PIN	30.00	40.00	4.00	4.00		
PINM030040-040	PIN	30.00	40.00	4.00	4.00		
PINM030040-050/1	PIN	30.00	40.00	5.00	5.00		
WHPM030040-070U	WHP	30.00	40.00	7.00	7.50	34.00	
WHPM030040-070S	WHP	30.00	40.00	7.00	9.50		
SCKM030042-060	SCK	30.00	42.00	6.00	7.70		
WDSM030042-063N	WDS	30.00	42.00	6.30	8.00		
DKBM030042-060	DKB	30.00	42.00	6.00	9.00		
WNSM030043-060	WNS	30.00	43.00	6.00	8.50		
DKBM030045-060	DKB	30.00	45.00	6.00	9.00		
DKBM030047-070	DKB	30.00	47.00	7.00	10.00		
WHPM031039-060AU	WHP	31.50	39.50	6.00	8.00		
WTNM032038-050	WTN	32.00	38.80	5.00			
WHPM032040-060U	WHP	32.00	40.00	6.00	6.50		
WSWM032040-040	WSW	32.00	40.00	4.00	7.00	38.00	
WDSM032040-050P	WDS	32.00	40.00	5.00	8.00		
WDSM032040-053	WDS	32.00	40.60	5.30	7.00	35.00	
WDSM032042-053N	WDS	32.00	42.00	5.30	7.00		
WHPM032042-070U	WHP	32.00	42.00	7.00	7.50	36.00	
WHPM032042-070N	WHP	32.00	42.00	7.00	7.50	36.00	
WHPM032042-070S	WHP	32.00	42.00	7.00	9.50		
WDSM032044-063N	WDS	32.00	44.00	6.30	8.00		
WNSM032045-060	WNS	32.00	45.00	6.00	8.50		
DKBM032052-080	DKB	32.00	52.00	8.00	11.00		
SDKM033040-016	SDK	33.00	40.50	1.60	6.50		
WDSM033041-053	WDS	33.00	41.60	5.30	7.00	36.00	
WTNM035041-050	WTN	35.00	41.80	5.00			
PINM035042-040	PIN	35.00	42.00	4.00	4.00		
WHPM035043-060U	WHP	35.00	43.00	6.00	6.50		
WSWM035043-040	WSW	35.00	43.00	4.00	7.00	41.00	
WDSM035043-053P	WDS	35.00	43.00	5.30	7.00		
WHPM035043-053U	WHP	35.00	43.60	5.30	7.00	38.00	
WDSM035043-053	WDS	35.00	43.60	5.30	7.00	38.00	
WDSM035043-053V	WDS	35.00	43.60	5.30	7.00		
PINM035045-040/1	PIN	35.00	45.00	4.00	4.00		
PINM035045-040	PIN	35.00	45.00	4.00	4.00		
PINM035045-050/1	PIN	35.00	45.00	5.00	5.00		



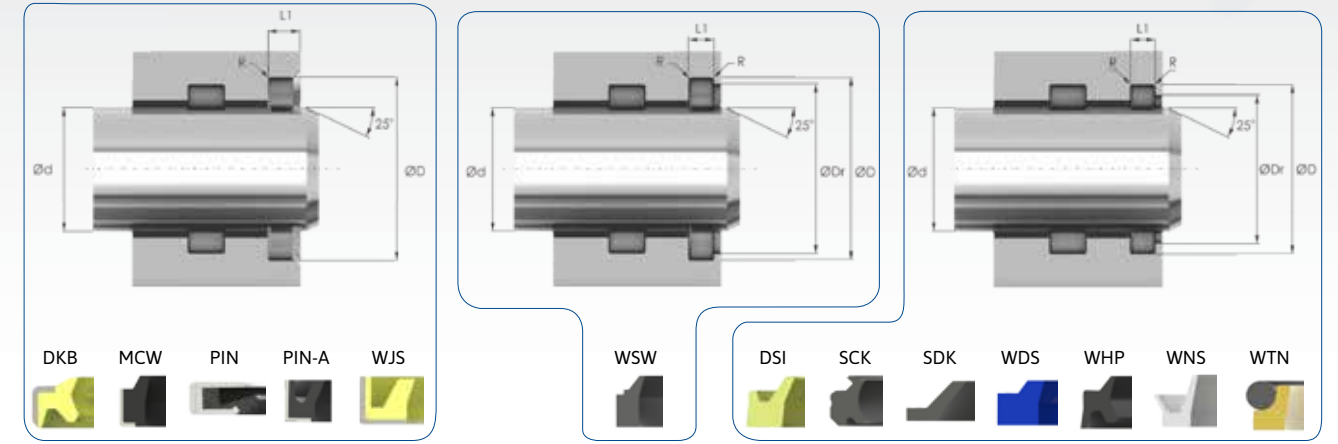
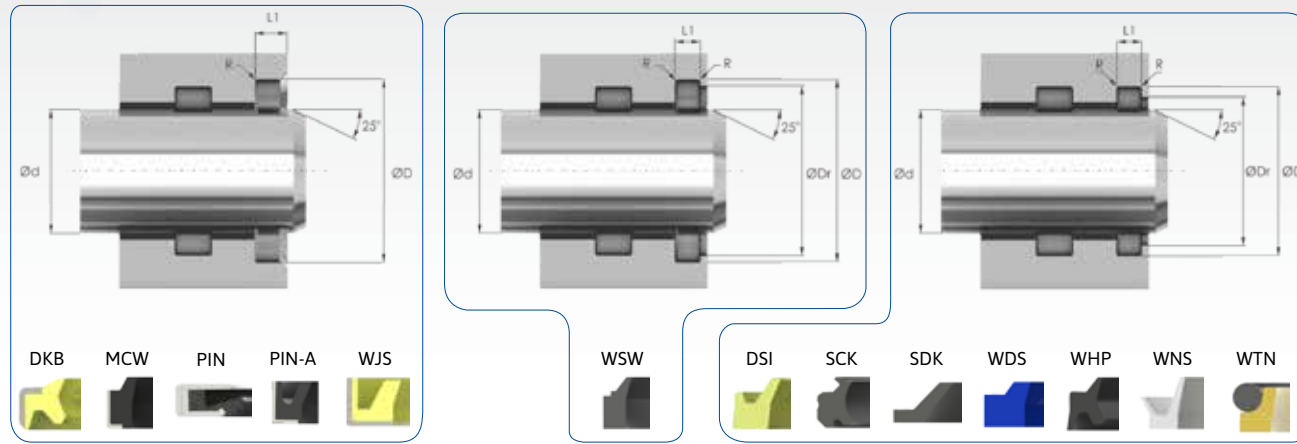
PART N°	PROFILE	HOUSING DIMENSIONS					REFERENCE N°
		$\varnothing d$	$\varnothing D$	SH	L1	$\varnothing dr$	
PINM035045-060/1	PIN	35.00	45.00	6.00	6.00		
WHPM035045-070U	WHP	35.00	45.00	7.00	7.50	39.00	
WHPM035045-070N	WHP	35.00	45.00	7.00	7.50	39.00	
WHPM035045-070S	WHP	35.00	45.00	7.00	9.50		
SCKM035047-070	SCK	35.00	47.00	7.00	8.70		
WDSM035047-060	WDS	35.00	47.00	6.00	9.00	41.00	
DKBM035047-070	DKB	35.00	47.00	7.00	10.00		
WHPM035043-060A	WHP	35.50	43.50	6.00	8.00		
WHPM036044-060U	WHP	36.00	44.00	6.00	6.50		
WSWM036044-040	WSW	36.00	44.00	4.00	7.00	42.00	
WHPM036044-050N	WHP	36.00	44.00	5.00	7.00		
WHPM036044-050U	WHP	36.00	44.00	5.00	8.00		
WHPM036044-053U	WHP	36.00	44.60	5.30	7.00	39.00	
WDSM036044-053	WDS	36.00	44.60	5.30	7.00	39.00	
WHPM036046-070U	WHP	36.00	46.00	7.00	7.50	40.00	
WHPM036046-070N	WHP	36.00	46.00	7.00	7.50	40.00	
PINM036048-060/1	PIN	36.00	48.00	6.00	6.00		
WDSM036048-063N	WDS	36.00	48.00	6.30	8.00		
DKBM036048-070	DKB	36.00	48.00	7.00	9.00		
WNSM036049-060	WNS	36.00	49.00	6.00	8.50		
WTNM037043-050	WTN	37.00	43.80	5.00			
WTNM038044-050	WTN	38.00	44.80	5.00			
WSWM038046-040	WSW	38.00	46.00	4.00	7.00	44.00	
WDSM038046-053N	WDS	38.00	46.00	5.30	7.00		
WHPM038046-058U	WHP	38.00	46.00	5.80	8.00		
WDSM038046-053	WDS	38.00	46.60	5.30	7.00	41.00	
WDSM040046-047	WDS	40.00	46.00	4.70	5.80	43.00	
WTNM040046-050	WTN	40.00	46.80	5.00			
WDSM040048-031N	WDS	40.00	48.00	3.10	4.00		
WHPM040048-060U	WHP	40.00	48.00	6.00	6.50		
WSWM040048-040	WSW	40.00	48.00	4.00	7.00	46.00	
WDSM040048-050P	WDS	40.00	48.00	5.00	8.00		
WHPM040048-050U	WHP	40.00	48.00	5.00	8.00		
WHPM040048-053U	WHP	40.00	48.60	5.30	7.00	43.00	
WDSM040048-053	WDS	40.00	48.60	5.30	7.00	43.00	
PINM040050-032/1	PIN	40.00	50.00	3.18	3.18		
PINM040050-040	PIN	40.00	50.00	4.00	4.00		
PINM040050-040/1	PIN	40.00	50.00	4.00	4.00		
PINM040050-050/1	PIN	40.00	50.00	5.00	5.00		
PINM040050-060	PIN	40.00	50.00	6.00	6.00		
WJSM040050-060	WJS	40.00	50.00	6.00	6.00		
WHPM040050-060U	WHP	40.00	50.00	6.00	6.50		
WHPM040050-070N	WHP	40.00	50.00	7.00	8.00		
WHPM040050-070S	WHP	40.00	50.00	7.00	9.50		
WDSM040050-070	WDS	40.00	50.60	7.00	12.00	45.60	

PART N°	PROFILE	HOUSING DIMENSIONS					REFERENCE N°
		$\varnothing d$	$\varnothing D$	SH	L1	$\varnothing dr$	
WDSM040052-050	WDS	40.00	52.00	5.00	8.00		
WDSM040052-063N	WDS	40.00	52.00	6.30	8.00		
SCKM040052-070	SCK	40.00	52.00	7.00	8.70		
DKBM040052-070	DKB	40.00	52.00	7.00	10.00		
WNSM040053-060	WNS	40.00	53.00	6.00	8.50		
WTNM042048-050	WTN	42.00	48.80	5.00			
WDSM042050-053	WDS	42.00	50.60	5.30	7.00	45.00	
PINM042052-050/1	PIN	42.00	52.00	5.00	5.00		
WDSM042054-060	WDS	42.00	54.00	6.00	9.00		
WDSM045047-063N	WDS	45.00	47.00	6.30	8.00		
WTNM045051-050	WTN	45.00	51.80	5.00			
WHPM045053-060N	WHP	45.00	53.00	6.00	6.50	49.00	
WHPM045053-060U	WHP	45.00	53.00	6.00	6.50		
WSWM045053-040	WSW	45.00	53.00	4.00	7.00	51.00	
WDSM045053-050P	WDS	45.00	53.00	5.00	8.00		
WHPM045053-053U	WHP	45.00	53.60	5.30	7.00	48.00	
WDSM045053-053	WDS	45.00	53.60	5.30	7.00	48.00	
PINM045055-032/1	PIN	45.00	55.00	3.18	3.18		
PINM045055-040/1	PIN	45.00	55.00	4.00	4.00		
PINM045055-040	PIN	45.00	55.00	4.00	4.00		
PINM045055-050/1	PIN	45.00	55.00	5.00	5.00		
PINM045055-060	PIN	45.00	55.00	6.00	6.00		
PINM045055-060/1	PIN	45.00	55.00	6.00	6.00		
WHPM045055-070U	WHP	45.00	55.00	7.00	7.50	49.00	
WHPM045055-070N	WHP	45.00	55.00	7.00	7.50	49.00	
DSIM045055-070	DSI	45.00	55.00	7.00	8.00		
WHPM045055-070S	WHP	45.00	55.00	7.00	9.50		
WDSM045055-053	WDS	45.00	55.60	5.30	7.00	48.00	
WDSM045055-053P	WDS	45.00	55.60	5.30	7.00		
SCKM045057-070	SCK	45.00	57.00	7.00	8.70		
DKBM045057-070	DKB	45.00	57.00	7.00	10.00		
WNSM045058-060	WNS	45.00	58.00	6.00	8.50		
PINM045060-050/1	PIN	45.00	60.00	5.00	5.00		
DKBM045068-070	DKB	45.00	68.00	7.00	10.00		
WSWM046054-040	WSW	46.00	54.00	4.00	7.00	52.00	
WDSM046054-053	WDS	46.00	54.60	5.30	7.00	49.00	
WTNM048054-050	WTN	48.00	54.80	5.00			
WSWM048056-040	WSW	48.00	56.00	4.00	7.00	54.00	
WDSM048056-053	WDS	48.00	56.60	5.30	7.00	51.00	
WTNM050056-050	WTN	50.00	56.80	5.00			
PINM050058-040	PIN	50.00	58.00	4.00	4.00		
WHPM050058-060U	WHP	50.00	58.00	6.00	6.50		
WSWM050058-040	WSW	50.00	58.00	4.00	7.00	56.00	
WDSM050058-050	WDS	50.00	58.00	5.00	8.00	55.50	
WDSM050058-050P	WDS	50.00	58.00	5.00	8.00		



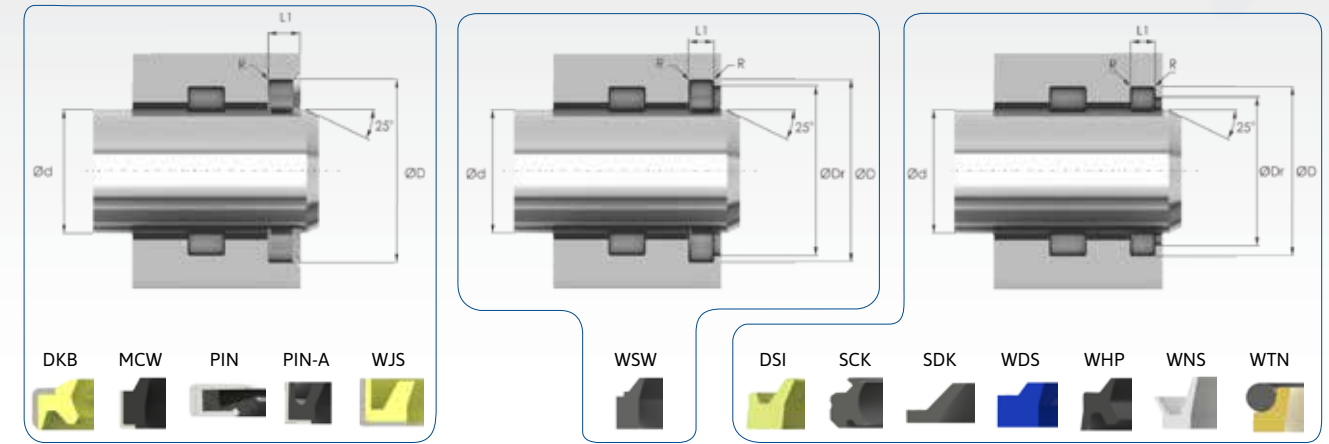
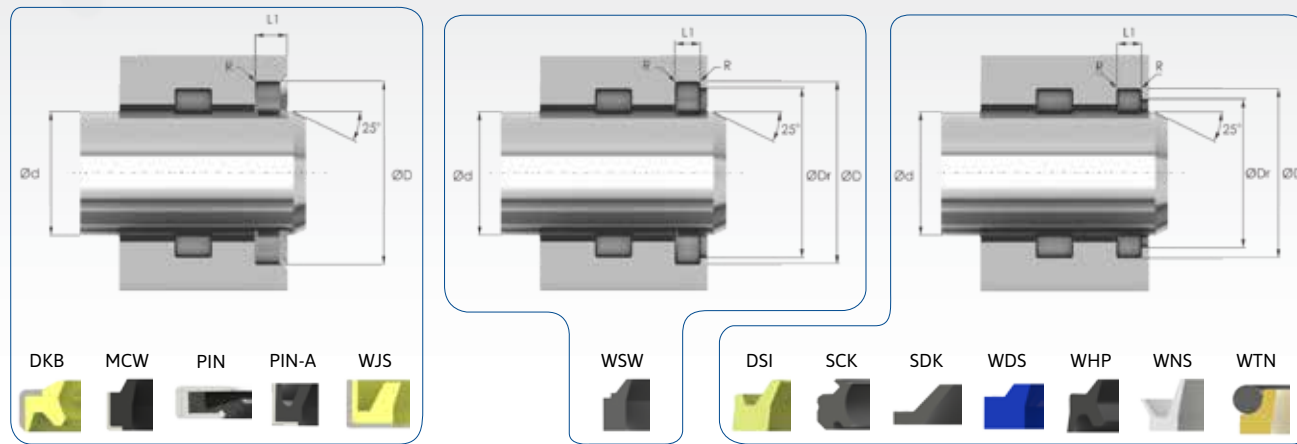
PART N°	PROFILE	HOUSING DIMENSIONS					REFERENCE N°
		$\varnothing d$	$\varnothing D$	SH	L1	$\varnothing dr$	
WHPM050058-053U	WHP	50.00	58.60	5.30	7.00	53.00	
WDSM050058-053	WDS	50.00	58.60	5.30	7.00	53.00	
WDSM050058-053P	WDS	50.00	58.60	5.30	7.00		
WHPM050058-063U	WHP	50.00	58.80	6.30	9.50		
WTNM050058-060	WTN	50.00	58.80	6.00			
PINM050060-040/1	PIN	50.00	60.00	4.00	4.00		
PINM050060-040	PIN	50.00	60.00	4.00	4.00		
PINM050060-045/1	PIN	50.00	60.00	4.50	4.50		
PINM050060-050/1	PIN	50.00	60.00	5.00	5.00		
PINM050060-060	PIN	50.00	60.00	6.00	6.00		
SDKM050060-021	SDK	50.00	60.00	2.15	7.00		
DSIM050060-070	DSI	50.00	60.00	7.00	8.00		
WHPM050060-070S	WHP	50.00	60.00	7.00	9.50		
WDSM050060-053	WDS	50.00	60.60	5.30	7.00	55.60	
WDSM050060-053P	WDS	50.00	60.60	5.30	7.00		
WDSM050060-070	WDS	50.00	60.60	7.00	12.00	55.60	
WDSM050060-071	WDS	50.00	60.60	7.10	12.00	55.60	
PINM050062-070/1	PIN	50.00	62.00	7.00	7.00		
WDSM050062-063N	WDS	50.00	62.00	6.30	8.00		
SCKM050062-070	SCK	50.00	62.00	7.00	8.70		
WHPM050062-085U	WHP	50.00	62.00	8.50	9.00	62.00	
WHPM050062-085N	WHP	50.00	62.00	8.50	9.00	62.00	
DKBM050062-070	DKB	50.00	62.00	7.00	10.00		
PINM050063-040	PIN	50.00	63.00	4.00	4.00		
PINM050063-040/1	PIN	50.00	63.00	4.00	4.00		
PINM050063-080/1	PIN	50.00	63.00	8.00	8.00		
PINM050063-080/1	PIN	50.00	63.00	8.00	8.00		
WNSM050063-060	WNS	50.00	63.00	6.00	8.50		
PINM050064-080/1	PIN	50.00	64.00	8.00	8.00		
PINM050065-040	PIN	50.00	65.00	4.00	4.00		
PINM050065-050/1	PIN	50.00	65.00	5.00	5.00		
PINM050065-050/1	PIN	50.00	65.00	5.00	5.00		
PINM050065-060	PIN	50.00	65.00	6.00	6.00		
PINM050065-060	PIN	50.00	65.00	6.00	6.00		
PINM050065-075/1	PIN	50.00	65.00	7.50	7.50		
PINM050065-090/1	PIN	50.00	65.00	9.00	9.00		
PINM050070-050/1	PIN	50.00	70.00	5.00	5.00		
WSWM051059-040	WSW	51.00	59.00	4.00	7.00		
WTNM052058-050	WTN	52.00	58.80	5.00			
WHPM053061-060U	WHP	53.00	61.00	6.00	6.50		
WDSM053061-053	WDS	53.00	61.60	5.30	7.00	56.00	
WTNM055061-050	WTN	55.00	61.80	5.00			
WHPM055063-060U	WHP	55.00	63.00	6.00	6.50		
WSWM055063-040	WSW	55.00	63.00	4.00	7.00	61.00	
WDSM055063-053	WDS	55.00	63.60	5.30	7.00	58.00	

PART N°	PROFILE	HOUSING DIMENSIONS					REFERENCE N°
		$\varnothing d$	$\varnothing D$	SH	L1	$\varnothing dr$	
PINM055065-032/1	PIN	55.00	65.00	3.18	3.18		
PINM055065-040/1	PIN	55.00	65.00	4.00	4.00		
PINM055065-040	PIN	55.00	65.00	4.00	4.00		
SDKM055065-021	SDK	55.00	65.00	2.15	7.00		
WDSM055065-053N	WDS	55.00	65.00	5.30	7.00		
WDSM055065-053	WDS	55.00	65.60	5.30	7.00	58.00	
WDSM055065-053P	WDS	55.00	65.60	5.30	7.00		
WDSM056066-060P	WDS	55.00	66.00	6.00	9.00		
WDSM055067-063N	WDS	55.00	67.00	6.30	8.00		
WDSM055067-063	WDS	55.00	67.60	6.30	10.00	58.00	
PINM055068-040/1	PIN	55.00	68.00	4.00	4.00		
PINM055068-040	PIN	55.00	68.00	4.00	4.00		
PINM055068-060/1	PIN	55.00	68.00	6.00	6.00		
WNSM055068-060	WNS	55.00	68.00	6.00	8.50		
SCKM055069-080	SCK	55.00	69.00	8.00	10.00		
DKBM055069-080	DKB	55.00	69.00	8.00	11.00		
PINM055070-040	PIN	55.00	70.00	4.00	4.00		
PINM055070-050/1	PIN	55.00	70.00	5.00	5.00		
PINM055070-060	PIN	55.00	70.00	6.00	6.00		
PINM055070-060/1	PIN	55.00	70.00	6.00	6.00		
PINM055070-075/1	PIN	55.00	70.00	7.50	7.50		
PINM055075-060	PIN	55.00	75.00	6.00	6.00		
WSWM056064-040	WSW	56.00	64.00	4.00	7.00	62.00	
WDSM056064-053	WDS	56.00	64.60	5.30	7.00	59.00	
WDSM056066-053N	WDS	56.00	66.00	5.30	7.00		
WHPM056066-060U	WHP	56.00	66.00	6.00	9.70		
WDSM056066-053	WDS	56.00	66.60	5.30	7.00	59.00	
WDSM056068-060	WDS	56.00	68.00	9.00	9.00	62.00	
WNSM056069-060	WNS	56.00	69.00	6.00	8.50		
PINM056070-075/1	PIN	56.00	70.00	7.50	7.50		
WDSM057065-053	WDS	57.00	65.60	5.30	7.00	60.00	
WTNM058064-050	WTN	58.00	64.80	5.00			
WSWM058066-040	WSW	58.00	66.00	4.00	7.00	64.00	
WDSM058068-053	WDS	58.00	68.60	5.30	7.00	61.00	
WTNM060066-050	WTN	60.00	66.80	5.00			
WHPM060068-060N	WHP	60.00	68.00	6.00	6.50	64.00	
WDSM060068-060	WDS	60.00	68.00	6.00	6.50	64.00	
WHPM060068-060U	WHP	60.00	68.00	6.00	6.50		
WSWM060068-040	WSW	60.00	68.00	4.00	7.00	66.00	
WHPM060068-053U	WHP	60.00	68.60	5.30	7.00	63.00	
WDSM060068-053	WDS	60.00	68.60	5.30	7.00	63.00	
PINM060070-040/1	PIN	60.00	70.00	4.00	4.00		
PINM060070-050/1	PIN	60.00	70.00	5.00	5.00		
PINM060070-060	PIN	60.00	70.00	6.00	6.00		
PINM060070-060	PIN	60.00	70.00	6.00	6.00		



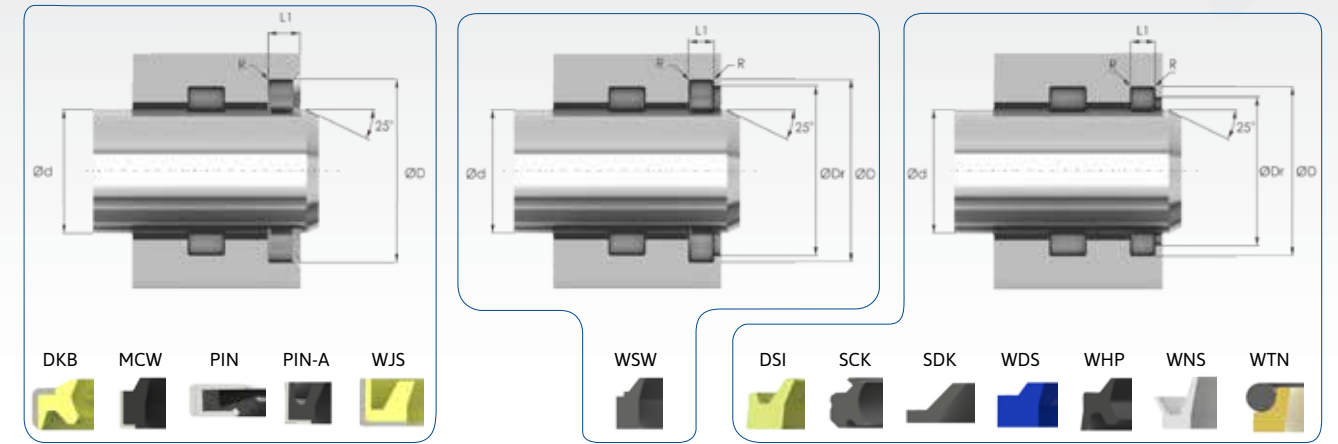
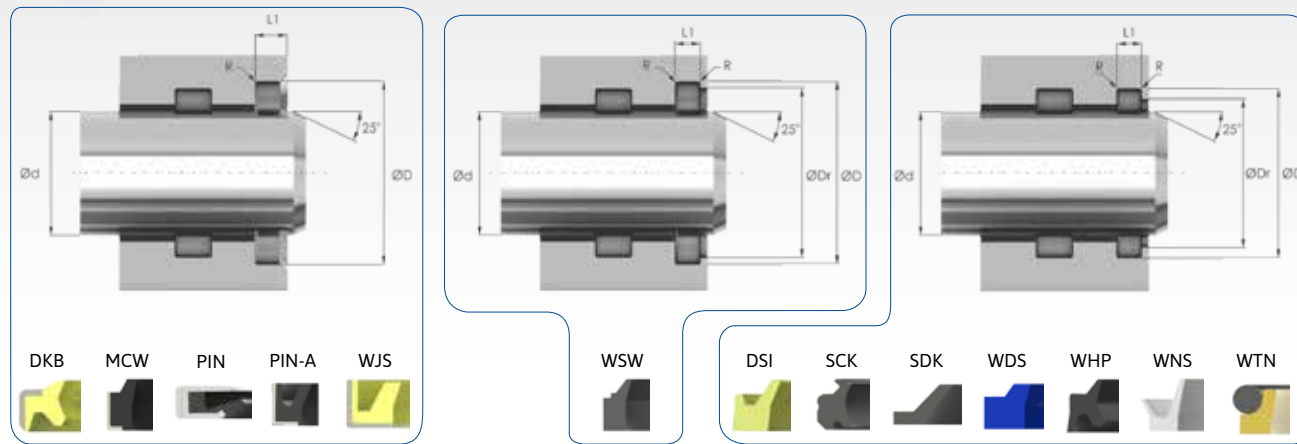
PART N°	PROFILE	HOUSING DIMENSIONS					REFERENCE N°
		$\varnothing d$	$\varnothing D$	SH	L1	$\varnothing dr$	
WDSM060070-053/1	WDS	60.00	70.00	5.30	7.00	66.00	
WDSM060070-053N	WDS	60.00	70.00	5.30	7.00		
WDSM060070-060P	WDS	60.00	70.00	6.00	9.00		
WDSM060070-063P	WDS	60.00	70.00	6.30	10.00		
WHPM060070-053U	WHP	60.00	70.60	5.30	6.70		
WDSM060070-053	WDS	60.00	70.60	5.30	7.00	63.00	
WDSM060070-053P	WDS	60.00	70.60	5.30	7.00		
WDSM060070-071	WDS	60.00	70.60	7.10	12.00	63.00	
WDSM060070-070	WDS	60.00	70.60	9.00	12.00	66.50	
WJSM060072-066	WJS	60.00	72.00	6.60	6.60		
WDSM060072-070	WDS	60.00	72.00	7.00	9.50		
PINM060073-080/1	PIN	60.00	73.00	8.00	8.00		
WNSM060073-060	WNS	60.00	73.00	6.00	8.50		
DSIM060073-080	DSI	60.00	73.00	8.00	9.50		
SCKM060074-080	SCK	60.00	74.00	8.00	10.00		
DKBM060074-080	DKB	60.00	74.00	8.00	11.00		
PINM060075-040	PIN	60.00	75.00	4.00	4.00		
PINM060075-040/1	PIN	60.00	75.00	4.00	4.00		
PINM060075-050/1	PIN	60.00	75.00	5.00	5.00		
PINM060075-050	PIN	60.00	75.00	5.00	5.00		
PINM060075-060	PIN	60.00	75.00	6.00	6.00		
PINM060075-060/1	PIN	60.00	75.00	6.00	6.00		
PINM060075-075/1	PIN	60.00	75.00	7.50	7.50		
PINM060075-080	PIN	60.00	75.00	8.00	8.00		
PINM060075-080/1	PIN	60.00	75.00	8.00	8.00		
WSWM062070-040	WSW	62.00	70.00	4.00	7.00	68.00	
WHPM063071-060N	WHP	63.00	71.00	6.00	6.50		
WSWM063071-040	WSW	63.00	71.00	4.00	7.00	69.00	
WHPM063071-060U	WHP	63.00	71.00	6.00	7.00	67.00	
WDSM063071-053	WDS	63.00	71.60	5.30	7.00	66.00	
SDKM063073-021	SDK	63.00	73.00	2.15	7.00		
WDSM063073-053N	WDS	63.00	73.00	5.30	7.00		
WDSM063073-063	WDS	63.00	73.00	6.30	7.00		
WDSM063073-063P	WDS	63.00	73.00	6.30	10.00		
WDSM063073-053	WDS	63.00	73.60	5.30	7.00	66.00	
WDSM063073-050P	WDS	63.00	73.60	5.00	8.00		
WNSM063076-060	WNS	63.00	76.00	6.00	8.50		
DKBM063077-080	DKB	63.00	77.00	8.00	11.00		
PINM063078-075/1	PIN	63.00	78.00	7.50	7.50		
WSWM065073-040	WSW	65.00	73.00	4.00	7.00	71.00	
WDSM065073-053	WDS	65.00	73.60	5.30	7.00	68.00	
WTNM065073-060	WTN	65.00	73.80	6.00			
PINM065075-040	PIN	65.00	75.00	4.00	4.00		
WDSM065075-053N	WDS	65.00	75.00	5.30	7.00		
WDSM065075-063P	WDS	65.00	75.00	6.30	10.00		

PART N°	PROFILE	HOUSING DIMENSIONS					REFERENCE N°
		$\varnothing d$	$\varnothing D$	SH	L1	$\varnothing dr$	
WDSM065075-053	WDS	65.00	75.60	5.30	7.00	68.00	
WDSM065075-071	WDS	65.00	75.60	7.10	12.00	70.60	
WJSM065077-060	WJS	65.00	77.00	6.00	6.00		
WDSM065077-071	WDS	65.00	77.60	7.10	12.00	71.50	
WNSM065078-060	WNS	65.00	78.00	6.00	8.50		
SCKM065079-080	SCK	65.00	79.00	8.00	10.00		
DKBM065079-080	DKB	65.00	79.00	8.00	11.00		
PINM065080-040	PIN	65.00	80.00	4.00	4.00		
PINM065080-050/1	PIN	65.00	80.00	5.00	5.00		
PINM065080-080/1	PIN	65.00	80.00	8.00	8.00		
PINM065080-080	PIN	65.00	80.00	8.00	8.00		
WSWM066074-040	WSW	66.00	74.00	4.00	7.00	72.00	
WSWM068076-040	WSW	68.00	76.00	4.00	7.00	74.00	
WSWM070078-040	WSW	70.00	78.00	4.00	7.00	76.00	
WDSM070078-053	WDS	70.00	78.60	5.30	7.00	73.00	
WTNM070078-060	WTN	70.00	78.80	6.00			
PINM070080-030	PIN	70.00	80.00	3.00	3.00		
PINM070080-050/1	PIN	70.00	80.00	5.00	5.00		
PINM070080-060	PIN	70.00	80.00	6.00	6.00		
WDSM070080-053N	WDS	70.00	80.00	5.30	7.00		
PINM070080-070/1	PIN	70.00	80.00	7.00	7.00		
WHPM070080-070U	WHP	70.00	80.00	7.00	8.00	75.00	
WHPM070080-070N	WHP	70.00	80.00	7.00	8.00	75.00	
WDSM070080-060P	WDS	70.00	80.00	6.00	9.00		
WHPM070080-060U	WHP	70.00	80.00	6.00	9.70		
WDSM070080-053	WDS	70.00	80.60	5.30	7.00	73.00	
WDSM070080-053P	WDS	70.00	80.60	5.30	7.00		
WDSM070082-063N	WDS	70.00	82.00	6.30	8.00		
WDSM070082-060	WDS	70.00	82.00	6.00	9.00		
WDSM070082-071N	WDS	70.00	82.00	7.10	10.00		
WDSM070082-061	WDS	70.00	82.20	6.10	9.00	76.00	
WDSM070082-072P	WDS	70.00	82.20	7.20	12.00		
WDSM070082-071	WDS	70.00	82.60	7.10	12.00	76.00	
PINM070083-080/1	PIN	70.00	83.00	8.00	8.00		
WNSM070083-060	WNS	70.00	83.00	6.00	8.50		
DSIM070083-080	DSI	70.00	83.00	8.00	9.50		
PINM070084-080/1	PIN	70.00	84.00	8.00	8.00		
SCKM070084-080	SCK	70.00	84.00	8.00	10.00		
DKBM070084-080	DKB	70.00	84.00	8.00	11.00		
PINM070085-040	PIN	70.00	85.00	4.00	4.00		
PINM070085-050/1	PIN	70.00	85.00	5.00	5.00		
PINM070085-050	PIN	70.00	85.00	5.00	5.00		
PINM070085-060	PIN	70.00	85.00	6.00	6.00		
PINM070085-075/1	PIN	70.00	85.00	7.50	7.50		
PINM070085-080	PIN	70.00	85.00	8.00	8.00		



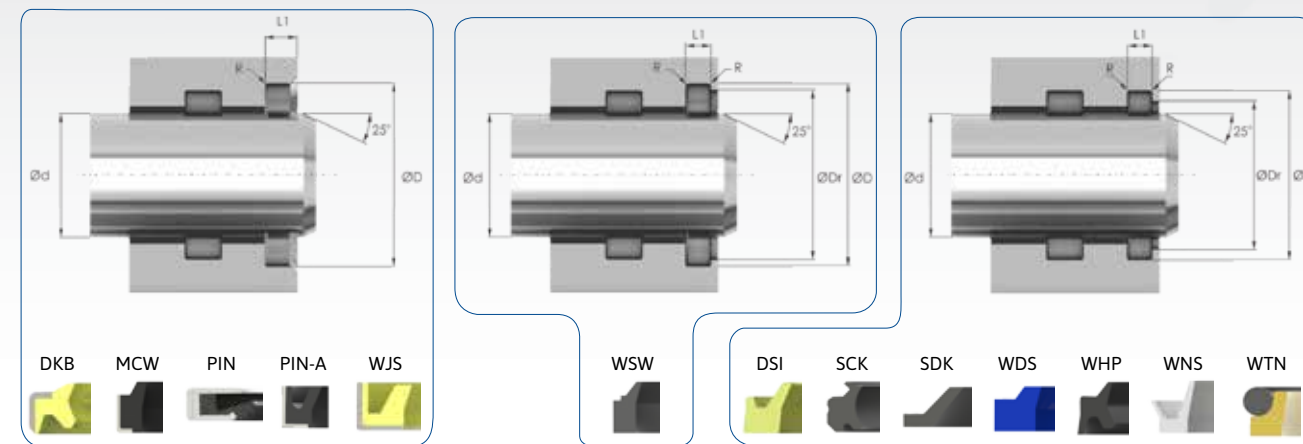
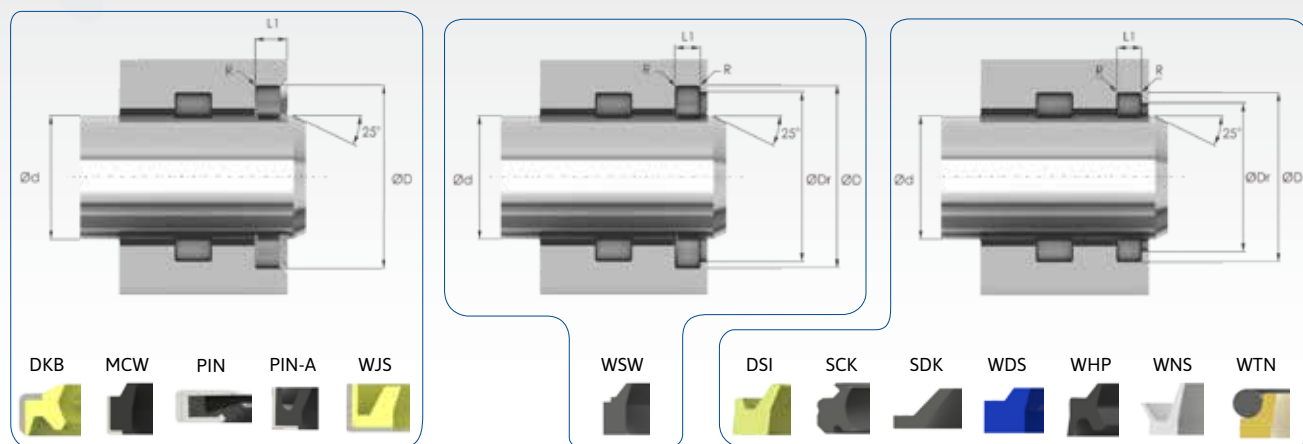
PART N°	PROFILE	HOUSING DIMENSIONS					REFERENCE N°
		$\varnothing d$	$\varnothing D$	SH	L1	$\varnothing dr$	
PINM070085-080/1	PIN	70.00	85.00	8.00	8.00		
PINM070090-040	PIN	70.00	90.00	4.00	4.00		
PINM070090-050/1	PIN	70.00	90.00	5.00	5.00		
PINM071085-060/1	PIN	71.00	85.00	6.00	6.00		
PINM071086-050/1	PIN	71.00	86.00	5.00	5.00		
WSWM072080-040	WSW	72.00	80.00	4.00	7.00	78.00	
WSWM075083-040	WSW	75.00	83.00	4.00	7.00	81.00	
WDSM075083-053N	WDS	75.00	83.00	5.30	7.00		
WDSM075083-053	WDS	75.00	83.60	5.30	7.00	78.00	
WTNM075083-060	WTN	75.00	83.80	6.00			
SDKM075085-021	SDK	75.00	85.00	2.15	7.00		
WHPM075085-070N	WHP	75.00	85.00	7.00	8.00	80.00	
WHPM075085-070U	WHP	75.00	85.00	7.00	8.00		
WDSM075085-053	WDS	75.00	85.60	5.30	7.00	81.00	
WJSM075087-066	WJS	75.00	87.00	6.60	6.60		
WDSM075087-061	WDS	75.00	87.20	6.10	9.00	81.00	
WDSM075087-071	WDS	75.00	87.20	7.10	12.00	81.00	
WDSM075087-072P	WDS	75.00	87.20	7.20	12.00		
DSIM075088-080	DSI	75.00	88.00	8.00	9.50		
SCKM075089-080	SCK	75.00	89.00	8.00	10.00		
DKBM075089-080	DKB	75.00	89.00	8.00	11.00		
PINM075090-040	PIN	75.00	90.00	4.00	4.00		
PINM075090-050/1	PIN	75.00	90.00	5.00	5.00		
PINM075090-060/1	PIN	75.00	90.00	6.00	6.00		
PINM075090-080/1	PIN	75.00	90.00	8.00	8.00		
WDSM076084-053	WDS	76.00	84.60	5.30	7.00	79.00	
SDKM078092-031	SDK	78.00	92.00	3.15	8.00		
WHPM079089-050U	WHP	79.00	89.00	5.00	6.00		
WSWM080088-040	WSW	80.00	88.00	4.00	7.00	86.00	
WDSM080088-053	WDS	80.00	88.60	5.30	7.00	83.00	
WTNM080088-060	WTN	80.00	88.80	6.00			
PINM080090-032/1	PIN	80.00	90.00	3.18	3.18		
PINM080090-050/1	PIN	80.00	90.00	5.00	5.00		
SDKM080090-021	SDK	80.00	90.00	2.15	7.00		
PINM080090-070/1	PIN	80.00	90.00	7.00	7.00		
WDSM080090-063N	WDS	80.00	90.00	6.30	8.00		
WHPM080090-070U	WHP	80.00	90.00	7.00	8.00		
WDSM080090-060P	WDS	80.00	90.00	6.00	9.00		
WDSM080090-063P	WDS	80.00	90.00	6.30	10.00		
WDSM080092-072P	WDS	80.00	92.20	7.20	12.00		
WDSM080092-071	WDS	80.00	92.60	7.10	12.00	86.00	
PINM080093-080/1	PIN	80.00	93.00	8.00	8.00		
WNSM080093-060	WNS	80.00	93.00	6.00	8.50		
DSIM080093-080	DSI	80.00	93.00	8.00	9.50		
SCKM080094-080	SCK	80.00	94.00	8.00	10.00		

PART N°	PROFILE	HOUSING DIMENSIONS					REFERENCE N°
		$\varnothing d$	$\varnothing D$	SH	L1	$\varnothing dr$	
DKBM080094-080	DKB	80.00	94.00	8.00	11.00		
PINM080095-040	PIN	80.00	95.00	4.00	4.00		
PINM080095-050/1	PIN	80.00	95.00	5.00	5.00		
PINM080095-050	PIN	80.00	95.00	5.00	5.00		
PINM080095-060/1	PIN	80.00	95.00	6.00	6.00		
PINM080095-060	PIN	80.00	95.00	6.00	6.00		
PINM080095-080/1	PIN	80.00	95.00	8.00	8.00		
PINM080095-080	PIN	80.00	95.00	8.00	8.00		
PINM080095-100	PIN	80.00	95.00	10.00	10.00		
PINM080100-060	PIN	80.00	100.00	6.00	6.00		
PINM080100-060/1	PIN	80.00	100.00	6.00	6.00		
PINM080100-100/1	PIN	80.00	100.00	10.00	10.00		
WSWM085093-040	WSW	85.00	93.00	4.00	7.00	91.00	
WDSM085093-053	WDS	85.00	93.60	5.30	7.00	88.00	
WTNM085093-060	WTN	85.00	93.80	6.00			
WHPM085095-070N	WHP	85.00	95.00	7.00	8.00	90.00	
WJSM085097-066	WJS	85.00	97.00	6.60	6.60		
WDSM085097-071N	WDS	85.00	97.00	7.10	10.00		
WDSM085097-071	WDS	85.00	97.20	7.10	12.00	91.00	
DSIM085098-080	DSI	85.00	98.00	8.00	9.50		
SCKM085099-080	SCK	85.00	99.00	8.00	10.00		
DKBM085099-080	DKB	85.00	99.00	8.00	11.00		
PINM085100-040	PIN	85.00	100.00	4.00	4.00		
PINM085100-050/1	PIN	85.00	100.00	5.00	5.00		
PINM085100-060/1	PIN	85.00	100.00	6.00	6.00		
PINM085100-080	PIN	85.00	100.00	8.00	8.00		
PINM085100-080/1	PIN	85.00	100.00	8.00	8.00		
WSWM090098-040	WSW	90.00	98.00	4.00	7.00	96.00	
WDSM090098-053	WDS	90.00	98.60	5.30	7.00	93.00	
WTNM090098-060	WTN	90.00	98.80	6.00			
SDKM090100-021	SDK	90.00	100.00	2.15	7.00		
PINM090100-070/1	PIN	90.00	100.00	7.00	7.00		
WHPM090100-070U	WHP	90.00	100.00	7.00	8.00		
WDSM090100-060P	WDS	90.00	100.00	6.00	9.00		
WHPM090100-060U	WHP	90.00	100.00	6.00	9.70		
WDSM090102-071N	WDS	90.00	102.00	7.10	10.00		
WDSM090102-071	WDS	90.00	102.20	7.10	12.00	96.00	
WDSM090102-072P	WDS	90.00	102.20	7.20	12.00		
WNSM090103-060	WNS	90.00	103.00	6.00	8.50		
DSIM090103-080	DSI	90.00	103.00	8.00	9.50		
DKBM090104-080	DKB	90.00	104.00	8.00	11.00		
PINM090105-040	PIN	90.00	105.00	4.00	4.00		
PINM090105-060/1	PIN	90.00	105.00	6.00	6.00		
PINM090105-060	PIN	90.00	105.00	6.00	6.00		
PINM090105-080/1	PIN	90.00	105.00	8.00	8.00		



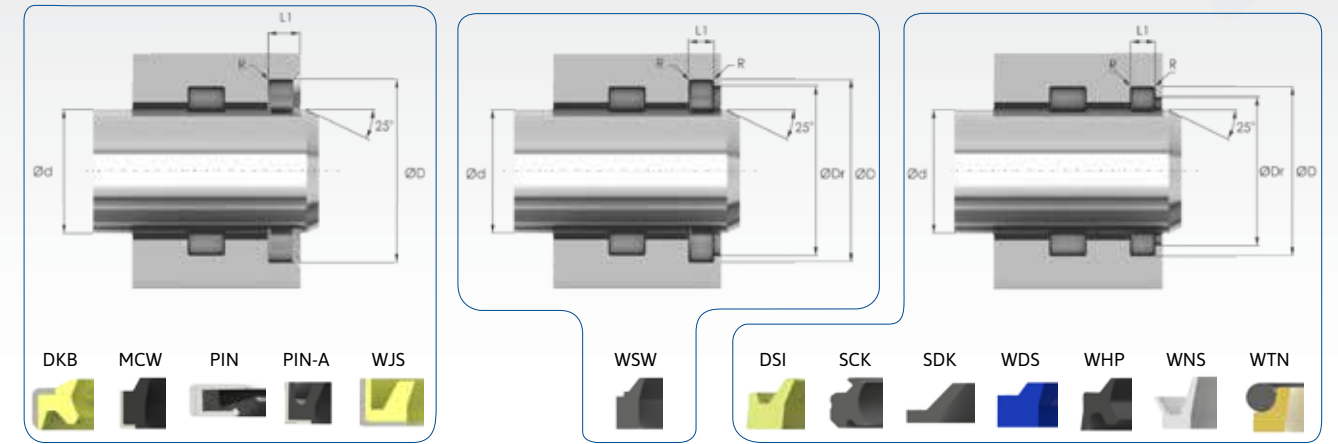
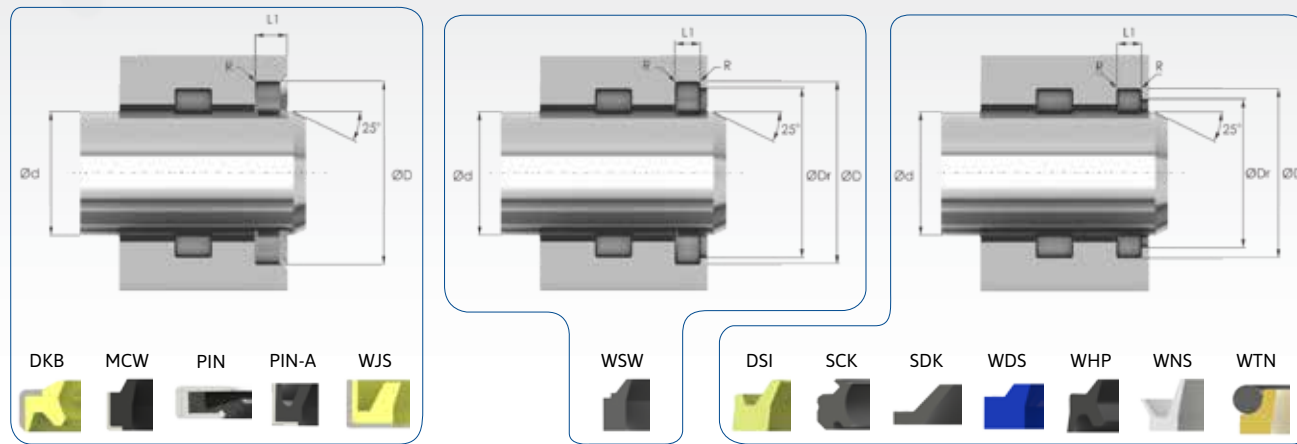
PART N°	PROFILE	HOUSING DIMENSIONS					REFERENCE N°
		Ød	ØD	SH	L1	Ødr	
PINM090105-080	PIN	90.00	105.00	8.00	8.00		
PINM090105-110	PIN	90.00	105.00	11.00	11.00		
PINM090106-080	PIN	90.00	106.00	8.00	8.00		
PINM090106-080/1	PIN	90.00	106.00	8.00	8.00		
PINM090110-070/1	PIN	90.00	110.00	7.00	7.00		
PINM090110-080	PIN	90.00	110.00	8.00	8.00		
PINM090110-100/1	PIN	90.00	110.00	10.00	10.00		
PINM090110-100	PIN	90.00	110.00	10.00	10.00		
WDSM091099-053	WDS	91.00	99.60	5.30	7.00	94.00	
WSWM095103-040	WSW	95.00	103.00	4.00	7.00	101.00	
WDSM095103-053	WDS	95.00	103.20	5.30	7.00	98.00	
WTNM095103-060	WTN	95.00	103.80	6.00			
PINM095105-080	PIN	95.00	105.00	8.00	8.00		
WDSM095107-071	WDS	95.00	107.20	7.10	12.00	101.00	
WDSM095107-072P	WDS	95.00	107.20	7.20	12.00		
SCKM095109-080	SCK	95.00	108.00	8.00	10.00		
DKBM095109-080	DKB	95.00	109.00	8.00	11.00		
PINM095110-040	PIN	95.00	110.00	4.00	4.00		
PINM095110-060/1	PIN	95.00	110.00	6.00	6.00		
PINM095110-080/1	PIN	95.00	110.00	8.00	8.00		
WHPM098108-050U	WHP	98.00	108.00	5.00	6.00		
WSWM100108-040	WSW	100.00	108.00	4.00	7.00	106.00	
WDSM100108-053	WDS	100.00	108.60	5.30	7.00	103.00	
WTNM100108-060	WTN	100.0	108.80	6.00			
PINM100110-070/1	PIN	100.00	110.00	7.00	7.00		
WDSM100110-060	WDS	100.00	110.00	6.00	8.00		
WHPM100110-070U	WHP	100.00	110.00	7.00	8.00		
WDSM100112-071N	WDS	100.00	112.00	7.10	10.00		
WDSM100112-071V	WDS	100.00	112.20	7.10	10.00		
WDSM100112-071	WDS	100.00	112.20	7.10	12.00	106.00	
WDSM100112-072P	WDS	100.00	112.20	7.20	12.00		
WNSM100113-060	WNS	100.00	113.00	6.00	8.50		
DSIM100113-080	DSI	100.00	113.00	8.00	9.50		
SCKM100114-080	SCK	100.00	114.00	8.00	10.00		
DKBM100114-080	DKB	100.00	114.00	8.00	11.00		
PINM100115-040	PIN	100.00	115.00	4.00	4.00		
PINM100115-070/1	PIN	100.00	115.00	7.00	7.00		
PINM100115-080	PIN	100.00	115.00	8.00	8.00		
PINM100115-080/1	PIN	100.00	115.00	8.00	8.00		
PINM100115-110	PIN	100.00	115.00	11.00	11.00		
WDSM100115-095P	WDS	100.00	115.00	9.50	14.00		
WDSM100116-080	MCW	100.00	116.00	8.00	12.00		
PINM100120-040	PIN	100.00	120.00	4.00	4.00		
PINM100120-070/1	PIN	100.00	120.00	7.00	7.00		
PINM100120-080/1	PIN	100.00	120.00	8.00	8.00		

PART N°	PROFILE	HOUSING DIMENSIONS					REFERENCE N°
		Ød	ØD	SH	L1	Ødr	
PINM100120-100/1	PIN	100.00	120.00	10.00	10.00		
PINM100125-040	PIN	100.00	125.00	4.00	4.00		
WDSM105113-053	WDS	105.00	113.60	5.30	8.00	110.50	
WDSM105117-071N	WDS	105.00	117.00	7.10	10.00		
WDSM105117-071	WDS	105.00	117.20	7.10	12.00	111.00	
PINM105120-070/1	PIN	105.00	120.00	7.00	7.00		
PINM105120-080/1	PIN	105.00	120.00	8.00	8.00		
WDSM105120-072P	WDS	105.00	120.00	7.20	12.00		
DKBM105121-090	DKB	105.00	121.00	9.00	12.00		
SCKM105121-090	SCK	105.00	121.00	9.00	12.00		
WDSM107115-053	WDS	107.00	115.60	5.30	7.00	110.00	
WSWM110118-040	WSW	110.00	118.00	4.00	7.00	115.00	
WDSM110118-053	WDS	110.00	118.20	5.30	7.00	113.00	
WTNM110118-060	WTN	110.0	118.80	6.00			
WSWM110122-055	WSW	110.00	122.00	5.50	10.00	119.00	
WDSM110122-071N	WDS	110.00	122.00	7.10	10.00		
WDSM110122-071	WDS	110.00	122.20	7.10	12.00	116.00	
WDSM110122-072P	WDS	110.00	122.20	7.20	12.00		
DSIM110123-080	DSI	110.00	123.00	8.00	9.50		
PINM110125-040/1	PIN	110.00	125.00	4.00	4.00		
PINM110125-040	PIN	110.00	125.00	4.00	4.00		
PINM110125-050/1	PIN	110.00	125.00	5.00	5.00		
PINM110125-070/1	PIN	110.00	125.00	7.00	7.00		
PINM110125-080/1	PIN	110.00	125.00	8.00	8.00		
PINM110125-080	PIN	110.00	125.00	8.00	8.00		
PINM110125-090/1	PIN	110.00	125.00	9.00	9.00		
WHPM110125-085U	WHP	110.00	125.00	8.50	13.00		
WDSM110125-095	WDS	110.00	125.00	9.50	14.00	120.00	
WDSM110125-095P	WDS	110.00	125.00	9.50	14.00		
DKBM110126-090	DKB	110.00	126.00	9.00	12.00		
PINM110130-080	PIN	110.00	130.00	8.00	8.00		
PINM110130-080/1	PIN	110.00	130.00	8.00	8.00		
PINM110130-100/1	PIN	110.00	130.00	10.00	10.00		
PINM110130-100	PIN	110.00	130.00	10.00	10.00		
PINM110135-080	PIN	110.00	135.00	8.00	8.00		
PINM110140-080	PIN	110.00	140.00	8.00	8.00		
WDSM115123-053	WDS	115.00	123.20	5.30	7.00	118.00	
WSWM115127-055	WSW	115.00	127.00	5.50	10.00	124.00	
WDSM115127-071	WDS	115.00	127.20	7.10	12.00	121.00	
WDSM115127-072P	WDS	115.00	127.20	7.20	12.00		
PINM115130-110	PIN	115.00	130.00	11.00	11.00		
PINM115130-110/1	PIN	115.00	130.00	11.00	11.00		
DKBM115131-090	DKB	115.00	131.00	9.00	12.00		
PINM115135-060/1	PIN	115.00	135.00	6.00	6.00		
PINM115135-080	PIN	115.00	135.00	8.00	8.00		



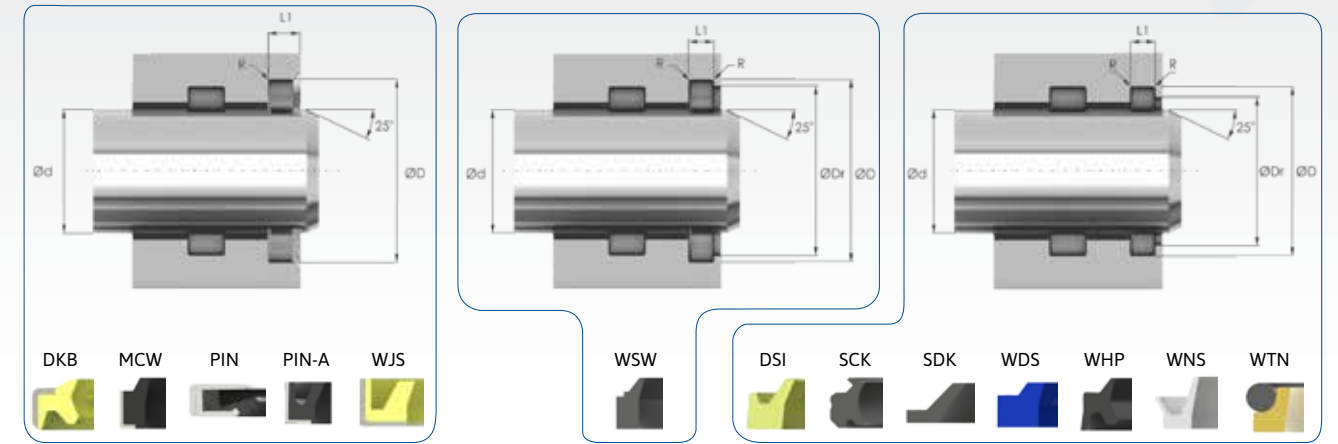
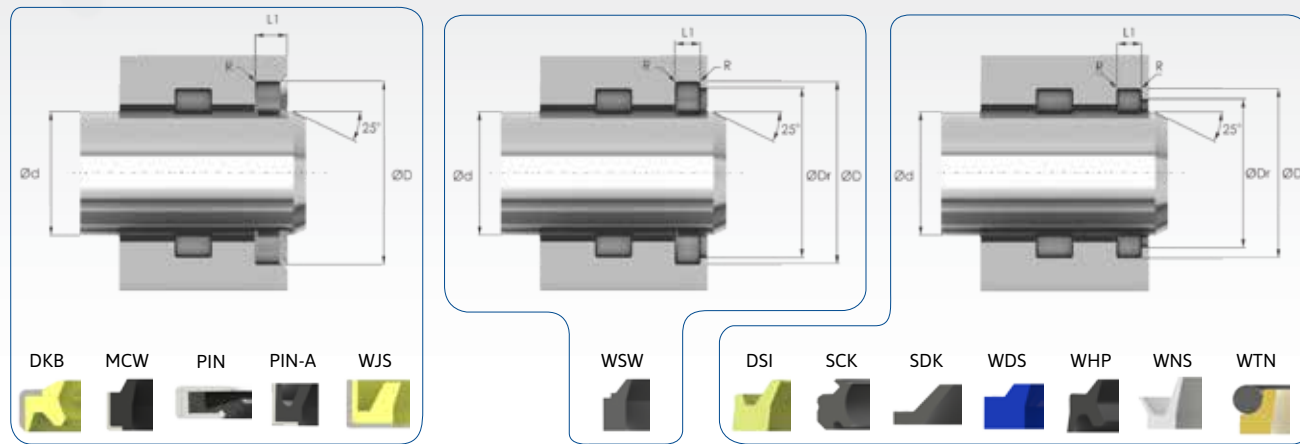
PART N°	PROFILE	HOUSING DIMENSIONS					REFERENCE N°
		$\varnothing d$	$\varnothing D$	SH	L1	$\varnothing dr$	
PINM115135-080/1	PIN	115.00	135.00	8.00	8.00		
WHPM117127-060U	WHP	117.00	127.00	6.00	7.00		
WDSM120128-053	WDS	120.00	128.20	5.30	7.00	123.00	
WTNM120128-060	WTN	120.00	128.80	6.00			
PINM120130-070/1	PIN	120.00	130.00	7.00	7.00		
WDSM120130-060	WDS	120.00	130.00	6.00	8.00	125.00	
WSWM120132-055	WSW	120.00	132.00	5.50	10.00	129.00	
WDSM120132-071	WDS	120.00	132.20	7.10	12.00	126.00	
WDSM120132-072	WDS	120.00	132.20	7.20	12.00	126.00	
WDSM120132-072P	WDS	120.00	132.20	7.20	12.00		
PINM120135-040	PIN	120.00	135.00	4.00	4.00		
PINM120135-050/1	PIN	120.00	135.00	5.00	5.00		
PINM120135-070/1	PIN	120.00	135.00	7.00	7.00		
PINM120135-080/1	PIN	120.00	135.00	8.00	8.00		
PINM120135-080	PIN	120.00	135.00	8.00	8.00		
DKBM120136-090	DKB	120.00	136.00	9.00	12.00		
PINM120140-040	PIN	120.00	140.00	4.00	4.00		
PINM120140-080	PIN	120.00	140.00	8.00	8.00		
PINM120140-080/1	PIN	120.00	140.00	8.00	8.00		
PINM120140-100/1	PIN	120.00	140.00	10.00	10.00		
PINM120145-040	PIN	120.00	145.00	4.00	4.00		
WDSM125133-053	WDS	125.00	133.60	5.30	7.00	130.80	
WTNM125133-060	WTN	125.00	133.80	6.00			
WSWM125137-055	WSW	125.00	137.00	5.50	10.00	134.00	
WDSM125137-071	WDS	125.00	137.20	7.10	12.00	131.00	
WHPM125138-080U	WHP	125.00	138.00	8.00	9.50		
PINM125140-040	PIN	125.00	140.00	4.00	4.00		
PINM125140-080	PIN	125.00	140.00	8.00	8.00		
PINM125140-080/1	PIN	125.00	140.00	8.00	8.00		
PINM125140-080/1	PIN	125.00	140.00	8.00	8.00		
WDSM125140-095P	WDS	125.00	140.00	9.50	14.00		
WDSM125140-102P	WDS	125.00	140.00	10.20	16.00		
WDSM125140-101	WDS	125.00	140.20	10.10	16.00	132.60	
DKBM125141-090	DKB	125.00	141.00	9.00	12.00		
WDSM130138-053	WDS	130.00	138.20	5.30	7.00	133.00	
WTNM130138-060	WTN	130.00	138.80	6.00			
PINM130140-070/1	PIN	130.00	140.00	7.00	7.00		
WSWM130142-055	WSW	130.00	142.00	5.50	10.00	139.00	
WDSM130142-071	WDS	130.00	142.20	7.10	12.00	136.00	
PINM130145-070/1	PIN	130.00	145.00	7.00	7.00		
WDSM130145-101	WDS	130.00	145.20	10.10	16.00	137.60	
DKBM130146-090	DKB	130.00	146.00	9.00	12.00		
PINM130150-100/1	PIN	130.00	150.00	10.00	10.00		
PINM130150-110	PIN	130.00	150.00	11.00	11.00		
PINM130155-080/1	PIN	130.00	155.00	8.00	8.00		

PART N°	PROFILE	HOUSING DIMENSIONS					REFERENCE N°
		$\varnothing d$	$\varnothing D$	SH	L1	$\varnothing dr$	
PINM130155-090/1	PIN	130.00	155.00	8.00	8.00		
PINM130160-080	PIN	130.00	160.00	8.00	8.00		
PINM130160-080/1	PIN	130.00	160.00	8.00	8.00		
WTNM135143-060	WTN	135.00	143.80	6.00			
WSWM135147-055	WSW	135.00	147.00	5.50	10.00	144.00	
WDSM135147-071	WDS	135.00	147.20	7.10	10.00	141.00	
WHPM136146-060U	WHP	136.00	146.00	6.00	7.00		
WDSM140148-053	WDS	140.00	148.20	5.30	7.00	143.00	
WTNM140148-060	WTN	140.00	148.80	6.00			
WDSM140149-053	WDS	140.00	149.20	5.30	7.00	146.00	
SDKM140150-020	SDK	140.00	150.00	2.05	7.00		
WSWM140152-055	WSW	140.00	152.00	5.50	10.00	149.00	
WDSM140152-071N	WDS	140.00	152.00	7.10	10.00		
WDSM140152-071	WDS	140.00	152.20	7.10	12.00	146.00	
WHPM140153-080U	WHP	140.00	153.00	8.00	9.50		
PINM140155-040	PIN	140.00	155.00	4.00	4.00		
PINM140155-080	PIN	140.00	155.00	8.00	8.00		
PINM140155-080/1	PIN	140.00	155.00	8.00	8.00		
WDSM140155-095	WDS	140.00	155.00	9.50	14.00	150.00	
WDSM140155-095P	WDS	140.00	155.00	9.50	14.00		
WDSM140155-102N	WDS	140.00	155.00	10.20	14.00		
WDSM140155-102P	WDS	140.00	155.00	10.20	16.00		
WDSM140155-101	WDS	140.00	155.20	10.10	16.00	147.60	
PINM140160-075	PIN	140.00	160.00	7.50	7.50		
PINM140160-080	PIN	140.00	160.00	8.00	8.00		
PINM140160-080/1	PIN	140.00	160.00	8.00	8.00		
PINM140160-100	PIN	140.00	160.00	10.00	10.00		
PINM140160-100/1	PIN	140.00	160.00	10.00	10.00		
PINM140160-110	PIN	140.00	160.00	11.00	11.00		
DKBM140160-100	DKB	140.00	160.00	10.00	14.00		
WDSM145153-052P	WDS	145.00	153.60	5.20	7.00		
WSWM145157-055	WSW	145.00	157.00	5.50	10.00	154.00	
WDSM145157-071	WDS	145.00	157.20	7.10	12.00	151.00	
PINM145160-080/1	PIN	145.00	160.00	8.00	8.00		
WDSM145160-095	WDS	145.00	160.00	9.50	14.00	155.00	
WDSM150158-053	WDS	150.00	158.20	5.30	7.00	153.00	
WTNM150158-060	WTN	150.00	158.80	6.00			
WSWM150162-055	WSW	150.00	162.00	5.50	10.00	159.00	
WDSM150162-071	WDS	150.00	162.20	7.10	12.00	156.00	
WHPM150163-080U	WHP	150.00	163.00	8.00	9.50		
PINM150165-070/1	PIN	150.00	165.00	7.00	7.00		
WDSM150165-102P	WDS	150.00	165.00	10.20	16.00		
WDSM150165-101	WDS	150.00	165.20	10.10	16.00	158.00	
PINM150170-100	PIN	150.00	170.00	10.00	10.00		
DKBM150170-100	DKB	150.00	170.00	10.00	14.00		



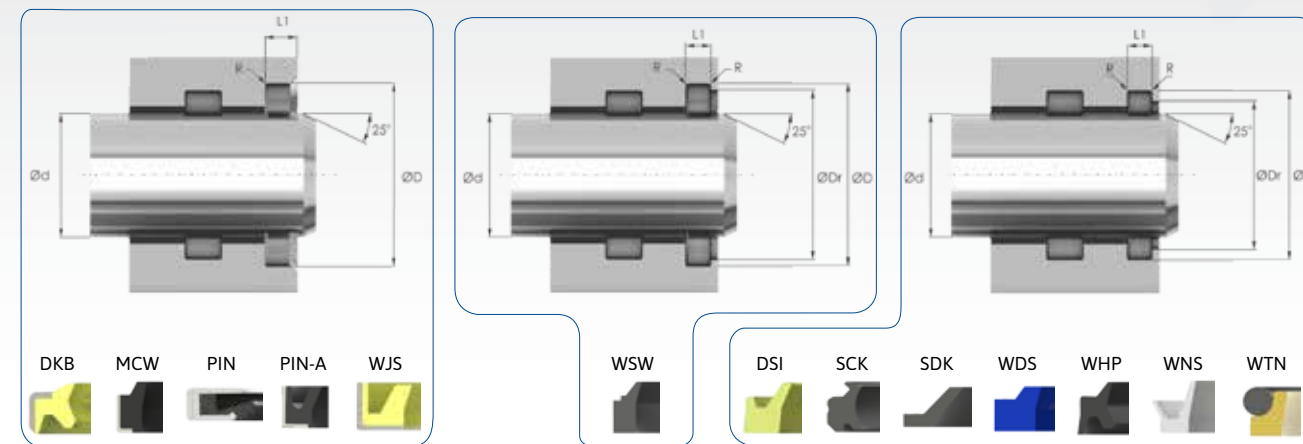
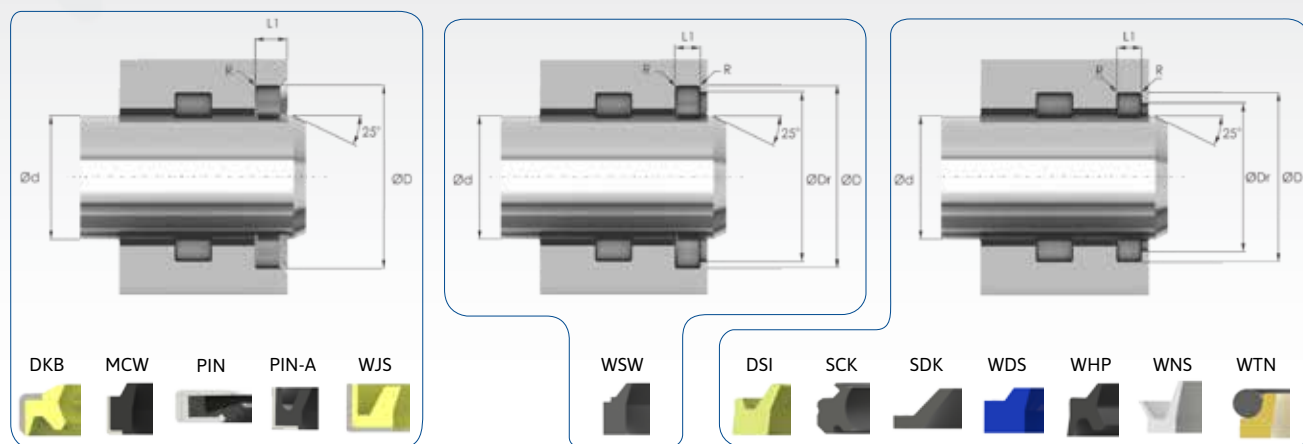
PART N°	PROFILE	HOUSING DIMENSIONS					REFERENCE N°
		Ød	ØD	SH	L1	Ødr	
WTNM155163-060	WTN	155.0	163.80	6.00			
WHPM155165-060U	WHP	155.00	165.00	6.00	7.00		
WSWM155167-055	WSW	155.00	167.00	5.50	10.00	164.00	
WDSM159175-100	WDS	159.00	175.00	10.00	17.50		
WDSM160168-053	WDS	160.00	168.20	5.30	7.00	163.00	
WTNM160168-060	WTN	160.0	168.80	6.00			
WSWM160172-055	WSW	160.00	172.00	4.00	10.00	169.00	
WDSM160172-071	WDS	160.00	172.20	7.10	12.00		
WHPM160173-070V	WHP	160.00	173.00	8.00	9.50	167.00	
WDSM160175-102N	WDS	160.00	175.00	10.20	14.00		
WDSM160175-102P	WDS	160.00	175.00	10.20	16.m		
WDSM160175-101	WDS	160.00	175.20	10.10	16.00	168.00	
WNSM160176-060	WNS	160.00	176.00	6.00	8.50		
PINM160180-050/1	PIN	160.00	180.00	5.00	5.00		
PINM160180-050	PIN	160.00	180.00	5.00	5.00		
PINM130154-080/1	PIN	160.00	180.00	8.00	8.00		
PINM160180-080	PIN	160.00	180.00	8.00	8.00		
PINM160180-080/1	PIN	160.00	180.00	8.00	8.00		
DKBM160180-100	DKB	160.00	180.00	10.00	14.00		
DKBM160185-100	DKB	160.00	185.00	10.00	14.00		
PINM160190-080/1	PIN	160.00	190.00	8.00	8.00		
WSWM165177-055	WSW	165.00	177.00	5.50	10.00	174.00	
WDSM165180-101	WDS	165.00	180.20	10.10	16.00	173.00	
WDSM170178-053	WDS	170.00	178.20	5.30	7.00	173.00	
WTNM170178-060	WTN	170.0	178.80	6.00			
WSWM170182-055	WSW	170.00	182.00	5.50	10.00	179.00	
WDSM170185-101	WDS	170.00	185.20	10.10	16.00	178.00	
PINM170190-100/1	PIN	170.00	190.00	10.00	10.00		
DKBM170190-100	DKB	170.00	190.00	10.00	14.00		
PINM170200-100/1	PIN	170.00	200.00	10.00	10.00		
PINM170200-130/1	PIN	170.00	200.00	13.00	13.00		
WTNM175183-060	WTN	175.0	183.80	6.00			
WHPM176186-060U	WHP	176.00	186.00	6.00	7.00		
WDSM180188-053	WDS	180.00	188.20	10.10	16.00	183.00	
WTNM180188-060	WTN	180.0	188.80	6.00			
WSWM180192-055	WSW	180.00	192.00	5.50	10.00	189.00	
WHPM180193-080U	WHP	180.00	193.00	8.00	9.50		
WDSM180195-101	WDS	180.00	195.20	10.10	16.00	188.00	
DKBM180200-090	DKB	180.00	200.00	9.00	12.00		
WDSM180200-102	WDS	180.00	200.00	10.10	16.00	190.00	
WDSM180200-102P	WDS	180.00	200.00	10.20	16.m		
DKBM180205-120	DKB	180.00	205.00	12.00	17.00		
PINM180210-130/1	PIN	180.00	210.00	13.00	13.00		
WTNM185193-060	WTN	185.0	193.80	6.00			
WDSM185205-102P	WDS	185.00	205.00	10.20	18.00		

PART N°	PROFILE	HOUSING DIMENSIONS					REFERENCE N°
		Ød	ØD	SH	L1	Ødr	
WDSM190198-053	WDS	190.00	198.20	5.30	7.00	193.00	
WTNM190198-060	WTN	190.0	198.80	6.00			
DKBM190205-090	DKB	190.00	205.00	9.00	12.00		
WDSM190205-095P	WDS	190.00	205.00	10.20	16.m		
WDSM190205-101	WDS	190.00	205.20	10.10	16.00	198.00	
WDSM190210-100	WDS	190.00	210.00	10.00	15.00	200.00	
DKBM190215-120	DKB	190.00	215.00	12.00	17.00		
WTNM195203-060	WTN	195.0	203.80	6.00			
WDSM195210-102P	WDS	195.00	210.00	10.20	16.m		
WHPM198208-060U	WHP	198.00	208.00	6.00	7.00		
WDSM200208-053	WDS	200.00	208.20	5.30	7.00	203.00	
WTNM200208-060	WTN	200.0	208.80	6.00			
WSWM200212-055	WSW	200.00	212.00	5.50	10.00	209.00	
WHPM200214-080U	WHP	200.00	214.00	8.00	9.50		
WDSM200215-101	WDS	200.00	215.20	10.10	16.00	208.00	
PINM200220-095/1	PIN	200.00	220.00	9.50	9.50		
WDSM200220-102N	WDS	200.00	220.00	10.20	14.00		
WDSM200220-102P	WDS	200.00	220.00	10.20	18.00		
WTNM210218-060	WTN	210.0	218.80	6.00			
WDSM210225-101	WDS	210.00	225.20	10.10	16.00	220.00	
WDSM210230-102P	WDS	210.00	230.00	10.20	18.00		
WTNM220228-060	WTN	220.0	228.80	6.00			
WDSM220235-101	WDS	220.00	235.20	10.10	16.00	228.00	
WDSM220240-125P	WDS	220.00	240.00	12.50	18.00		
WTNM225233-060	WTN	225.0	233.80	6.00			
WTNM230238-060	WTN	230.0	238.80	6.00			
WDSM230245-101	WDS	230.00	245.20	10.10	16.00	240.00	
WDSM230250-100P	WDS	230.00	250.00	10.00	18.00		
DKBM230255-120	DKB	230.00	255.00	12.00	17.00		
WTNM240248-060	WTN	240.0	248.80	6.00			
WDSM240255-101	WDS	240.00	255.50	10.10	16.00	250.00	
WHPM240256-110U	WHP	240.00	256.00	11.00	13.00		
WDSM240260-102P	WDS	240.00	260.00	10.20	18.00		
WTNM250258-060	WTN	250.0	258.80	6.00			
WDSM250265-101	WDS	250.00	265.20	10.10	16.00	258.00	
WDSM250270-102	WDS	250.00	270.00	10.10	16.00	260.00	
WDSM253279-120	WDS	253.00	279.30	12.00	17.00		
WTNM260272-084	WTN	260.0	272.20	8.40			
WDSM260280-102	WDS	260.00	280.00	10.20	18.00	270.50	
WDSM260280-102P	WDS	260.00	280.00	10.20	18.00		
WDSM270285-102	WDS	270.00	285.50	10.20	14.00		
WDSM280295-100W	WDS	280.00	295.00	10.00	14.00		
WDSM280300-102P	WDS	280.00	300.00	10.20	18.00	270.50	
WDSM290310-102P	WDS	290.00	310.00	10.20	18.00		
WDSM320340-102P	WDS	320.00	340.00	10.20	18.00		



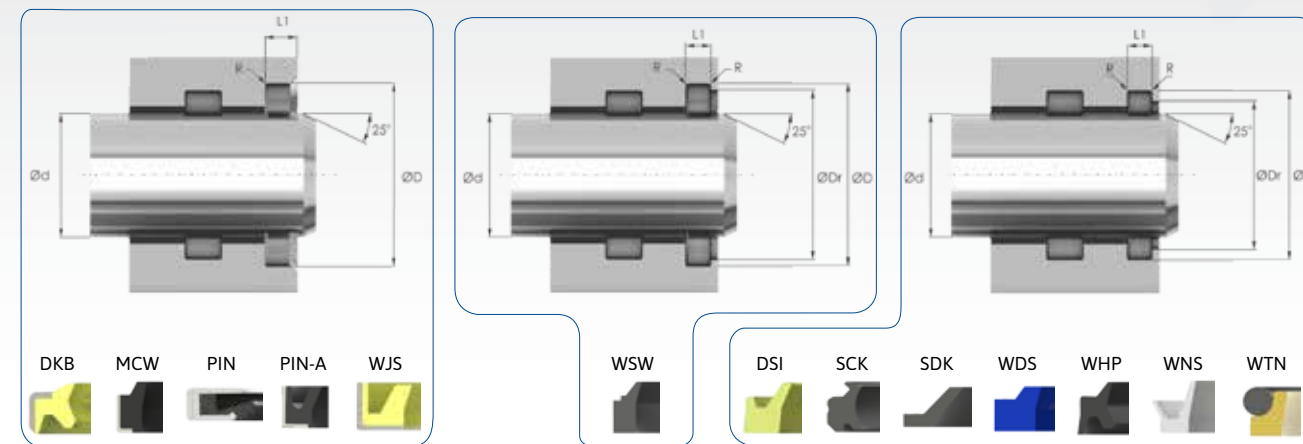
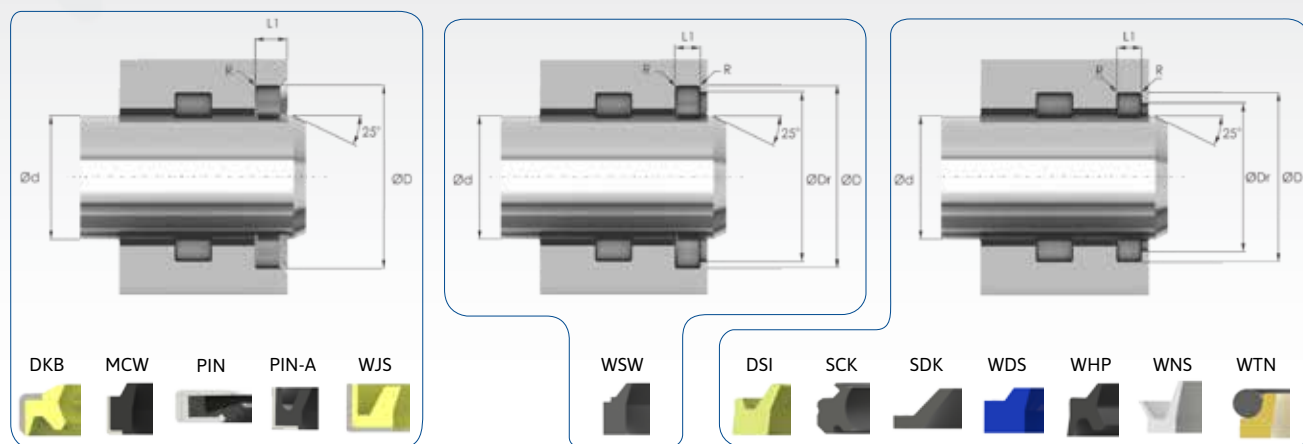
PART N°	PROFILE	HOUSING DIMENSIONS					REFERENCE N°	ALTERNATIVE REFERENCE N°
		ØD	ØD	L1	SH	ØDR		
WDSI025050-125	WDS	0.250	0.497	0.124	0.210	0.410	RD0250	D0250
WDSI031056-124	WDS	0.312	0.560	0.124	0.210	0.475	RD0312	D0312
WHPI031061-203N	WHP	0.312	0.615	0.203	0.245	0.432	RW1143	H0312
WBSI037054-120	WBS	0.375	0.540	0.120	0.120	0.430	RF3010	PWB-0
WDSI037062-124	WDS	0.375	0.622	0.124	0.210	0.535	RD0375	D0375
WHPI037067-203N	WHP	0.375	0.677	0.203	0.245	0.495	RF3044	H0375
WJSI037068-157	WJS	0.375	0.687	0.157	0.157			
WBSI043060-120	WBS	0.437	0.600	0.120	0.120	0.495		
WDSI043068-124	WDS	0.437	0.685	0.124	0.210	0.600	RD0437	D0437
WHPI043074-203N	WHP	0.437	0.740	0.203	0.245	0.557	RW1144	H0437
WBSI050068-130	WBS	0.500	0.680	0.130	0.130	0.560	R55592	PWB-1
WPUI050074-171	WPU	0.500	0.745	0.171	0.275	0.600	RPUIW12	W12
WWSI050074-171	WWS	0.500	0.745	0.171	0.275	0.600	R03837	W12
WDSI050075-124	WDS	0.500	0.747	0.124	0.210	0.660	RD0500	D0500
WJSI050075-125	WJS	0.500	0.750	0.125	0.125			
940I050076-107	940	0.500	0.760	0.107	0.187	0.647	R09401	940-1
WHPI050080-203N	WHP	0.500	0.802	0.203	0.245	0.620	RF3049	H0500
WHPI050080-203P	WHP	0.500	0.812	0.203	0.245	0.620	RH0500	HU0500
WNSI050087-172	WNS	0.500	0.875	0.172	0.250	0.812	R53064	NW0500
WPOI050090-125	WPO	0.500	0.900	0.125	0.250	0.700	RF3099	
WJSI050100-250	WJS	0.500	1.000	0.250	0.250		R26000	J-500
WBSI056074-130	WBS	0.562	0.740	0.130	0.130	0.630	R59521	PWB-2
WDSI056081-124	WDS	0.562	0.810	0.124	0.210	0.725	RF3012	D0562
940I056082-107	940	0.562	0.822	0.107	0.187	0.710	RF3626	940-2
WHPI056086-203N	WHP	0.562	0.865	0.203	0.245	0.682	RW1145	H0562
WBSI062082-140	WBS	0.625	0.820	0.140	0.140	0.700	R55471	PWB-3
WPUI062087-171	WPU	0.625	0.870	0.171	0.275	0.725	RPUIW14A	W14A
WWSI062087-171	WWS	0.625	0.870	0.171	0.275	0.725	R03839	W14A
WDSI062087-124	WDS	0.625	0.872	0.124	0.210	0.785	RD0625	D0625
WJSI062087-125	WJS	0.625	0.875	0.125	0.125			
940I062088-107	940	0.625	0.885	0.107	0.187	0.772		
WHPI062092-203N	WHP	0.625	0.927	0.203	0.245	0.745	RF3051	H0625
WHPI062092-203U	WHP	0.625	0.927	0.203	0.245	0.745	RH0625	HU0625
WPUI062099-183	WPU	0.625	0.995	0.183	0.343	0.725	RPUIW14	W14
WWSI062099-183	WWS	0.625	0.995	0.183	0.343	0.725	R03838	W14
WPOI062102-125	WPO	0.625	1.025	0.125	0.250	0.825		
WNSI062112-234	WNS	0.625	1.125	0.234	0.345	0.938	RF3098	NW0625
WJSI062112-312	WJS	0.625	1.125	0.312	0.312		R26001	J-625
WJSI062125-250	WJS	0.625	1.250	0.250	0.250			
WBSI068088-140	WBS	0.687	0.880	0.140	0.140	0.760	RW1011	PWB-4
WDSI068093-125	WDS	0.687	0.935	0.124	0.210	0.847	RD0687	D0687
940I068094-107	940	0.687	0.947	0.107	0.187	0.834	RF2997	940-4
WJSI068100-187	WJS	0.687	1.000	0.187	0.187		RF3065	
WBSI075095-140	WBS	0.750	0.950	0.140	0.140	0.820	R86398	PWB-5
WPUI075099-171	WPU	0.750	0.995	0.171	0.275	0.850	RPUIW16A	W16A

PART N°	PROFILE	HOUSING DIMENSIONS					REFERENCE N°	ALTERNATIVE REFERENCE N°
		ØD	ØD	L1	SH	ØDR		
WWSI075099-171	WWS	0.750	0.995	0.171	0.275	0.850	R03841	W16A
WJSI075100-125	WJS	0.750	1.000	0.125	0.125			
940I075101-107	940	0.750	1.010	0.107	0.187	0.897	R09405	940-5
WHPI075105-203N	WHP	0.750	1.052	0.203	0.275	0.870	RF3053	H0750
WHPI075105-203U	WHP	0.750	1.062	0.203	0.245	0.870	RH0750	HU0750
WPUI075112-183	WPU	0.750	1.120	0.183	0.343	0.850	RPUIW16	W16
WWSI075112-183	WWS	0.750	1.120	0.183	0.343	0.850	R03840	W16
WDSI075112-187	WDS	0.750	1.122	0.187	0.305	0.995	RD0750	D0750
WJSI075112-187	WJS	0.750	1.125	0.187	0.187			
MCWI075113-187	MCW	0.750	1.125	0.187	0.281			
WPOI075115-125	WPO	0.750	1.150	0.125	0.250	0.950		
WNSI075125-234	WNS	0.750	1.250	0.234	0.345	1.187	R59559	NW0750
WJSI075125-250	WJS	0.750	1.250	0.250	0.250			
WJSI075125-312	WJS	0.750	1.250	0.312	0.312		R26002	J-750
WBSI081102-140	WBS	0.812	1.020	0.140	0.140	0.880	R51014	PWB-6
940I081108-107	940	0.812	1.084	0.107	0.187	0.960	R09406	940-6
WDSI081118-187	WDS	0.812	1.184	0.187	0.305	1.060	RD0812	D0812
WBSI087108-150	WBS	0.875	1.080	0.150	0.150	0.950	R54578	PWB-7
WPUI087112-171	WPU	0.875	1.120	0.171	0.275	0.975	RPUIW18A	W18A
WWSI087112-171	WWS	0.875	1.120	0.171	0.275	0.975	R03843	W18A
940I087114-107	940	0.875	1.147	0.107	0.187	1.023	R09407	940-7
WHPI087124-218N	WHP	0.875	1.240	0.203	0.275	1.010	RF3054	H0875
WPUI087124-183	WPU	0.875	1.245	0.183	0.343	0.975	RPUIW18	W18
WWSI087124-183	WWS	0.875	1.245	0.183	0.343	0.975	R03842	W18
WDSI087125-187	WDS	0.875	1.247	0.187	0.305	1.120	RD0875	D0875
WJSI087125-187	WJS	0.875	1.250	0.187	0.187			
WPOI087127-125	WPO	0.875	1.275	0.125	0.250	1.075		
WNSI087137-234	WNS	0.875	1.375	0.234	0.345	1.312	R15277	NW0875
WJSI087137-312	WJS	0.875	1.375	0.312	0.312		R26003	J-875
WBSI093115-150	WBS	0.937	1.150	0.150	0.150	1.010	RW1012	PWB-8
940I093120-107	940	0.937	1.209	0.107	0.187	1.085	RF3828	940-8
WDSI093130-187	WDS	0.937	1.309	0.187	0.305	1.185	RD0937	D0937
WBSI100124-160	WBS	1.000	1.240	0.160	0.160	1.080	R15571	PWB-9
WPUI100124-171	WPU	1.000	1.245	0.171	0.275	1.100	RPUIW20A	W20A
WWSI100124-171	WWS	1.000	1.245	0.171	0.275	1.100	R03845	W20A
WJSI100125-125	WJS	1.000	1.250	0.125	0.125		R52791	
940I100127-107	940	1.000	1.272	0.107	0.187	1.148	R09409	940-9
WHPI100136-218N	WHP	1.000	1.365	0.218	0.275	1.135	RF3055	H1000
WHPI100136-218U	WHP	1.000	1.365	0.218	0.275	1.135	RH1000	HU1000
WHPI100136-218V	WHP	1.000	1.365	0.218	0.275	1.135		
WPUI100137-171	WPU	1.000	1.370	0.171	0.275	1.100	RPUIW20	W20
WWSI100137-183	WWS	1.000	1.370	0.183	0.343	1.100	R03844	W20
WDSI100137-187	WDS	1.000	1.372	0.187	0.305	1.245	RD1000	D1000
WPOI100137-125	WPO	1.000	1.375	0.125	0.250	1.200		
WJSI100137-187	WJS	1.000	1.375	0.187	0.187		RF3061	



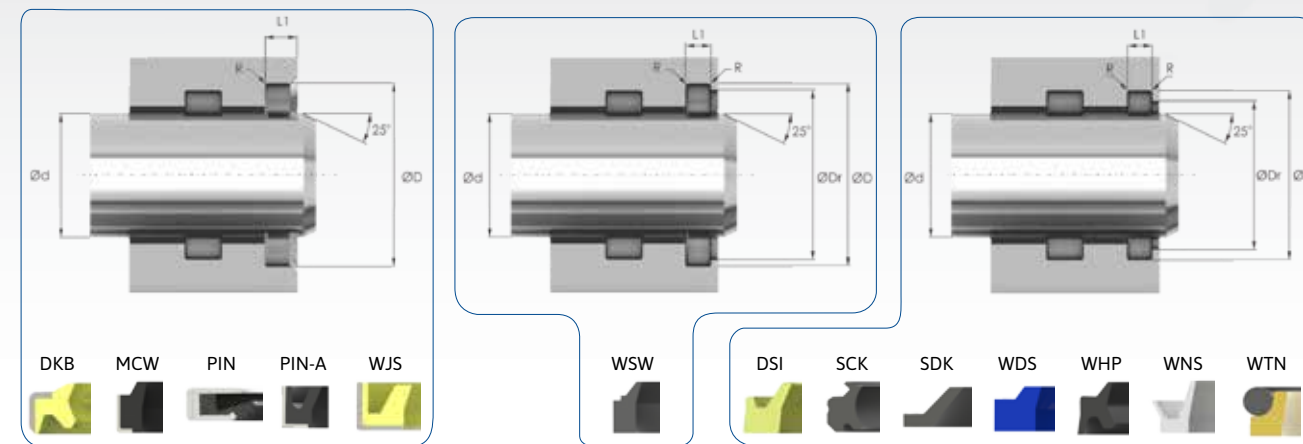
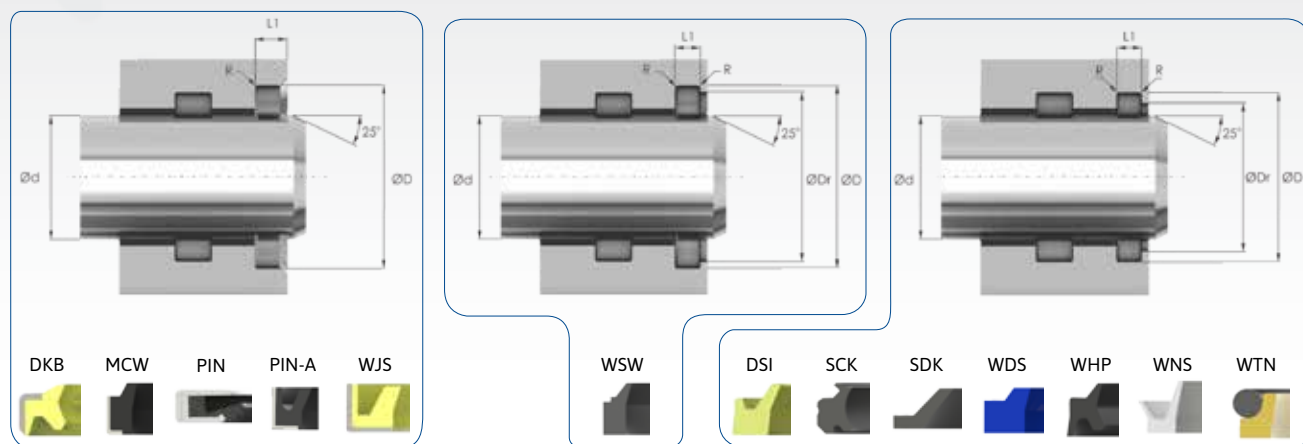
PART N°	PROFILE	HOUSING DIMENSIONS					REFERENCE N°	ALTERNATIVE REFERENCE N°
		$\varnothing D$	$\varnothing D$	L1	SH	$\varnothing DR$		
MCWI100138-187	MCW	1.000	1.375	0.187	0.281			
WPOI100140-125	WPO	1.000	1.400	0.125	0.250	1.200		
WJSI100143-250	WJS	1.000	1.437	0.250	0.250			
WJSI100150-187	WJS	1.000	1.500	0.187	0.187			
WNSI100150-234	WNS	1.000	1.500	0.234	0.345	1.437	R59284 NW1000	
WJSI100150-312	WJS	1.000	1.500	0.312	0.312		R26004 J-1000	
WJSI100156-187	WJS	1.000	1.562	0.187	0.187			
940I106133-107	940	1.060	1.334	0.107	0.187	1.210	R09410 940-10	
WDSI106143-187	WDS	1.062	1.434	0.187	0.305	1.307	RD1062 D1062	
WJSI106150-187	WJS	1.062	1.500	0.187	0.187			
WBSI112136-160	WBS	1.125	1.360	0.160	0.160	1.210	R54509 PWB-11	
WJSI112137-125	WJS	1.125	1.375	0.125	0.125			
940I112139-107	940	1.125	1.397	0.107	0.187	1.273	R09411 940-11	
WHPPI112149-218N	WHP	1.125	1.490	0.218	0.275	1.260	RF3056 H1125	
WWSI112149-183	WWS	1.125	1.495	0.183	0.343	1.225	R03846 W22	
WDSI112150-187	WDS	1.125	1.497	0.187	0.305	1.370	RD1125 D1125	
WPUI112150-183	WPU	1.125	1.500	0.183	0.343	1.225	RPW22 W22	
WJSI112150-187	WJS	1.125	1.500	0.187	0.187			
MCWI112150-187	MCW	1.125	1.500	0.187	0.281			
WPOI112162-125	WPO	1.125	1.625	0.125	0.375	1.425		
WNSI112162-234	WNS	1.125	1.625	0.234	0.345	1.562	R59339 NW1125	
WJSI112162-312	WJS	1.125	1.625	0.312	0.312		R26005 J-1125	
WBSI118142-160	WBS	1.187	1.420	0.160	0.160	1.270	RW1013 PWB-12	
WPUI118143-183	WPU	1.187	1.432	0.183	0.343	1.287	RPW23 W23	
940I118145-107	940	1.187	1.459	0.107	0.187	1.335	R09412 940-12	
WHPPI115155-218N	WHP	1.187	1.552	0.218	0.275	1.322	RW1146 H1187	
WJSI118156-187	WJS	1.187	1.562	0.187	0.187			
WDSI118156-187	WDS	1.187	1.562	0.187	0.305	1.437	RF3014 D1187	
WJSI118162-250	WJS	1.187	1.625	0.250	0.250			
WBSI125149-170	WBS	1.250	1.490	0.170	0.170	1.330	R54542 PWB-13	
WPUI125149-171	WPU	1.250	1.495	0.171	0.275	1.350	RPW24A W24A	
WWSI125149-171	WWS	1.250	1.495	0.171	0.275	1.350	R09397 W24A	
WJSI125150-125	WJS	1.250	1.500	0.125	0.125		RF3067	
940I125152-107	940	1.250	1.522	0.107	0.187	1.398	R09413 940-13	
WHPPI125161-218N	WHP	1.250	1.615	0.218	0.275	1.385	RF3057 H1250	
WPUI125162-183	WPU	1.250	1.620	0.183	0.343	1.350	RPW24 WPU24	
WWSI125162-183	WWS	1.250	1.620	0.183	0.343	1.350	R03847 W24	
WDSI125162-187	WDS	1.250	1.622	0.187	0.305	1.495	RD1250 D1250	
MCWI125163-187	MCW	1.250	1.625	0.187	0.281			
WJSI125162-250	WJS	1.250	1.625	0.250	0.250			
WJSI125162-312	WJS	1.250	1.625	0.312	0.312			
WJSI125168-187	WJS	1.250	1.687	0.187	0.187			
WPOI125175-125	WPO	1.250	1.750	0.125	0.375	1.550		
WNSI125175-234	WNS	1.250	1.750	0.234	0.345	1.687	R16031 NW1250	
WJSI125175-250	WJS	1.250	1.750	0.250	0.250		RF3060	

PART N°	PROFILE	HOUSING DIMENSIONS					REFERENCE N°	ALTERNATIVE REFERENCE N°
		$\varnothing D$	$\varnothing D$	L1	SH	$\varnothing DR$		
WJSI125175-312	WJS	1.250	1.750	0.312	0.312		R26006 J-1250	
WJSI125187-250	WJS	1.250	1.875	0.250	0.250			
WJSI131156-125	WJS	1.312	1.562	0.125	0.125			
940I131161-107	940	1.312	1.614	0.107	0.187	1.480	RF3631 940-14	
WDSI131168-187	WDS	1.312	1.687	0.187	0.305	1.560	RF3016 D1312	
WHPPI131170-218N	WHP	1.312	1.702	0.218	0.275	1.447	RW1147 H1312	
WPOI131187-125	WPO	1.312	1.875	0.125	0.250	1.675		
WBSI137162-170	WBS	1.375	1.620	0.170	0.170	1.460	R16646 PWB-15	
WJSI137162-125	WJS	1.375	1.625	0.125	0.125			
940I137167-107	940	1.375	1.677	0.107	0.187	1.542	R09415 940-15	
WHPPI137174-218N	WHP	1.375	1.740	0.218	0.275	1.510	RF3058 H1375	
WHPPI137174-218U	WHP	1.375	1.740	0.218	0.275	1.510	RH1370 HU1375	
WPUI137174-183	WPU	1.375	1.745	0.183	0.343	1.475	RPW26 W26	
WWSI137174-183	WWS	1.375	1.745	0.183	0.343	1.475	R03848 W26	
WDSI137175-187	WDS	1.375	1.747	0.187	0.305	1.620	RD1375 D1375	
WJSI137175-187	WJS	1.375	1.750	0.187	0.187			
WNSI137187-234	WNS	1.375	1.875	0.234	0.345	1.812	R85416 NW1375	
WJSI137187-312	WJS	1.375	1.875	0.312	0.312		R26007 J-1375	
WPOI137187-125	WPO	1.375	1.875	0.375	0.375	1.675		
WJSI137200-312	WJS	1.375	2.000	0.312	0.312			
940I143174-107	940	1.437	1.747	0.107	0.187	1.605	R09416 940-16	
WHPPI143180-218N	WHP	1.437	1.802	0.218	0.275	1.572	RW1148 H1437	
WPUI150174-171	WPU	1.500	1.745	0.171	0.275	1.600	RPW27A W27A	
WWSI150174-171	WWS	1.500	1.745	0.171	0.275	1.600	R09398 W27A	
WBSI150177-180	WBS	1.500	1.770	0.180	0.180	1.590	R15421 PWB-17	
940I150180-107	940	1.500	1.802	0.107	0.187	1.668	R09417 940-17	
WHPPI150186-218N	WHP	1.500	1.865	0.218	0.275	1.635	RF3059 H1500	
WHPPI150186-218U	WHP	1.500	1.865	0.218	0.275	1.635	RH1500 HU1500	
WPUI150187-183	WPU	1.500	1.870	0.183	0.343	1.600	RPW27 W27	
WWSI150187-183	WWS	1.500	1.870	0.183	0.343	1.600	R03849 W27	
WDSI150187-187	WDS	1.500	1.872	0.187	0.305	1.745	RD1500 D1500	
WJSI150187-187	WJS	1.500	1.875	0.187	0.187		RF3063	
MCWI150188-187	MCW	1.500	1.875	0.187	0.281			
WDSI150187-187P	WDS	1.500	1.875	0.187	0.305	1.745		
WJSI150187-250	WJS	1.500	1.875	0.250	0.250		RF3068	
WPOI150200-125	WPO	1.500	2.000	0.125	0.375	1.800		
WNSI150200-234	WNS	1.500	2.000	0.234	0.345	1.937	R16622 NW1500	
WJSI150200-250	WJS	1.500	2.000	0.250	0.250		RF3069	
WJSI150200-312	WJS	1.500	2.000	0.312	0.312		R26008 J-1500	
WJSI150225-375	WJS	1.500	2.250	0.375	0.375			
940I156187-107	940	1.562	1.873	0.107	0.187	1.731	R094175 940-17.5	
WBSI162188-180	WBS	1.625	1.880	0.180	0.180	1.720	RW1014 PWB-19	
940I162192-107	940	1.625	1.927	0.107	0.187	1.793	R09418 940-18	
WHPPI162199-218N	WHP	1.625	1.990	0.218	0.275	1.760	RW1149 H1625	
WHPPI162199-218U	WHP	1.625	1.990	0.218	0.275	1.760	RF3664 HU1625	



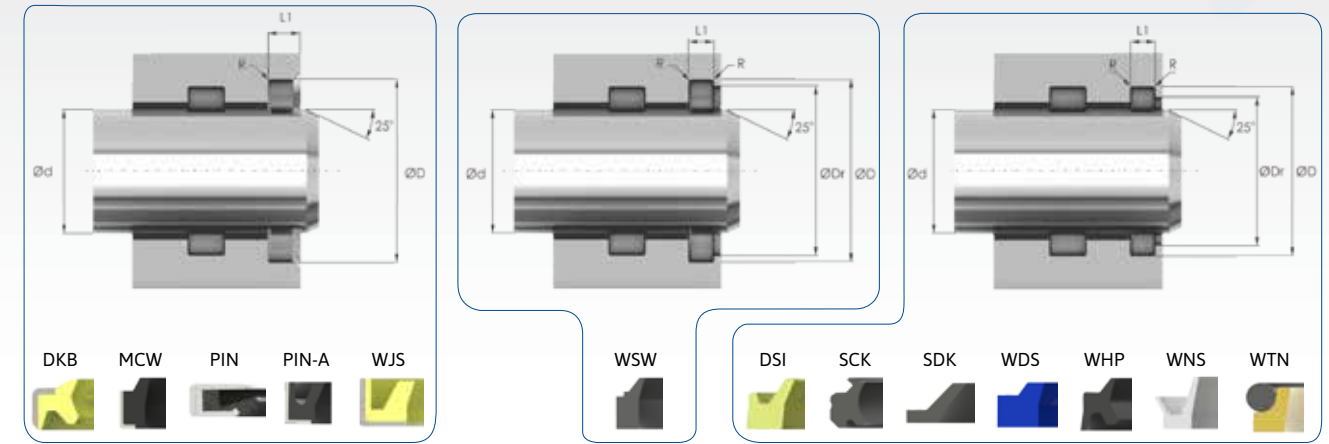
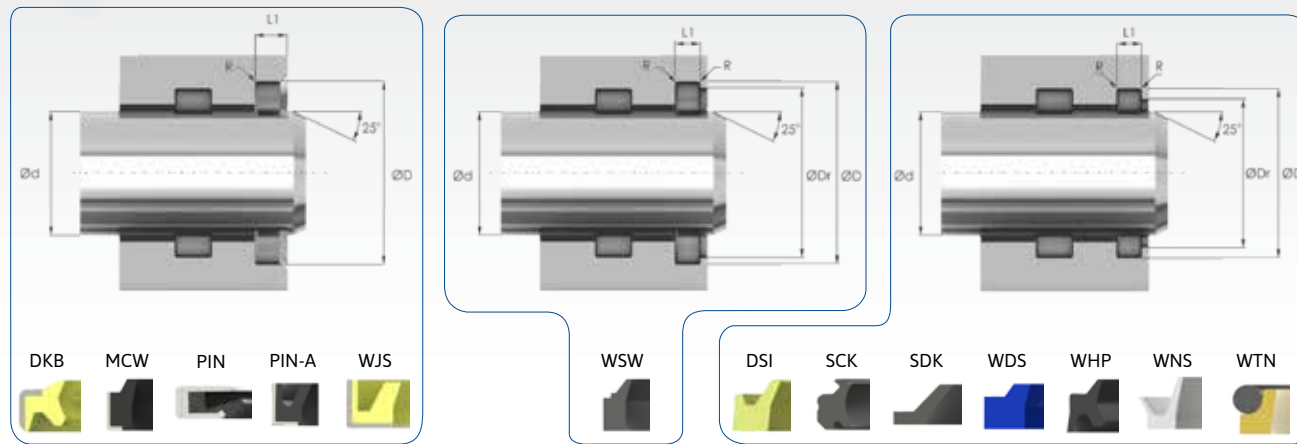
PART N°	PROFILE	HOUSING DIMENSIONS					REFERENCE N°	ALTERNATIVE REFERENCE N°
		ØD	ØD	L1	SH	ØDR		
WPU162199-183	WPU	1.625	1.995	0.183	0.343	1.725	RPW28	W28
WWSI162199-183	WWS	1.625	1.995	0.183	0.343	1.725	R03850	W28
WDSI162200-187	WDS	1.625	1.997	0.187	0.305	1.870	RD1625	D1625
WJSI163200-187	WJS	1.625	2.000	0.187	0.187			
WJSI162200-312	WJS	1.625	2.000	0.312	0.312			
WPOI162212-125	WPO	1.625	2.125	0.125	0.375	1.925		
WNSI162212-234	WNS	1.625	2.125	0.234	0.345	2.062	R54248	NW1625
WJSI162212-312	WJS	1.625	2.125	0.312	0.312		R26009	J-1625
WBSI168196-190	WBS	1.687	1.960	0.190	0.190	1.780	RW1015	PWB-20
WDSI168206-187	WDS	1.687	2.059	0.187	0.305	1.935	RD1687	D1687
WBSI175203-190	WBS	1.750	2.030	0.190	0.190	1.850	R55369	PWB-21
940I175205-107	940	1.750	2.052	0.107	0.187	1.918	R09419	940-19
WHPI175211-218N	WHP	1.750	2.115	0.218	0.275	1.885	RF3035	H1750
WHPI175211-218U	WHP	1.750	2.115	0.218	0.275	1.885	RH1750	HU1750
WPU175212-183	WPU	1.750	2.120	0.183	0.343	1.850	RPW29	WPU29
WWSI175212-183	WWS	1.750	2.120	0.183	0.343	1.850	R03851	W29
WDSI175212-187	WDS	1.750	2.122	0.187	0.305	1.995	RD1750	D1750
WJSI175212-187	WJS	1.750	2.125	0.187	0.187		RF3064	
MCWI175213-187	MCW	1.750	2.125	0.187	0.281			
WDSI175212-187P	WDS	1.750	2.125	0.187	0.305	1.995		
WPOI175225-125	WPO	1.750	2.250	0.125	0.375	2.050		
WNSI175225-234	WNS	1.750	2.250	0.234	0.345	2.187	R57028	NW1750
WJSI175225-250	WJS	1.750	2.250	0.250	0.250			
WJSI175225-312	WJS	1.750	2.250	0.312	0.312		R26010	J-1750
WJSI175237-250	WJS	1.750	2.375	0.250	0.250			
WJSI175243-375	WJS	1.750	2.437	0.375	0.375			
WJSI175250-375	WJS	1.750	2.500	0.375	0.375			
WJSI175262-250	WJS	1.750	2.625	0.250	0.250			
WBSI187216-190	WBS	1.875	2.160	0.190	0.190	1.970	R50422	PWB-23
940I187217-107	940	1.875	2.177	0.107	0.187	2.043	R09420	940-20
WHPI187224-218N	WHP	1.875	2.240	0.218	0.275	2.010		
WHPI187224-218U	WHP	1.875	2.240	0.218	0.275	2.010	RH1875	HU1875
WPU187224-183	WPU	1.875	2.245	0.183	0.343	1.975	RPW30	W30
WWSI187224-183	WWS	1.875	2.245	0.183	0.343	1.975	R03852	W30
WDSI187225-187	WDS	1.875	2.247	0.187	0.305	2.120	RD1875	D1875
WJSI187225-187	WJS	1.875	2.250	0.187	0.187			
WPOI187237-125	WPO	1.875	2.375	0.125	0.375	2.175		
WNSI187237-234	WNS	1.875	2.375	0.234	0.345	2.312	R53063	NW1875
WJSI187237-312	WJS	1.875	2.375	0.312	0.312		R26011	J-1875
WJSI187250-250	WJS	1.875	2.500	0.250	0.250			
WDSI193231-187	WDS	1.937	2.309	0.187	0.305	2.185	RD1937	D1937
WPUI200224-171	WPU	2.000	2.245	0.171	0.275	2.100	RPW31A	W31A
WWSI200224-171	WWS	2.000	2.245	0.171	0.275	2.100	R13800	W31A
WBSI200230-200	WBS	2.000	2.300	0.200	0.200	2.100	R57119	PWB-25
940I200230-107	940	2.000	2.302	0.107	0.187	2.178	R09421	940-21

PART N°	PROFILE	HOUSING DIMENSIONS					REFERENCE N°	ALTERNATIVE REFERENCE N°
		ØD	ØD	L1	SH	ØDR		
WHPI200236-218N	WHP	2.000	2.365	0.218	0.275	2.135	RF3037	H2000
WHPI200236-218U	WHP	2.000	2.365	0.218	0.275	2.135	RH2000	HU2000
WHPI200236-218V	WHP	2.000	2.365	0.218	0.275	2.135		
WPUI200237-183	WPU	2.000	2.370	0.183	0.343	2.100	RPW31	WPU31
WWSI200237-183	WWS	2.000	2.370	0.183	0.343	2.100	R03853	W31
MCWI200238-187	MCW	2.000	2.375	0.187	0.281			
WDSI200250-249	WDS	2.000	2.497	0.249	0.395	2.327	RD2000	D2000
WPOI200250-125	WPO	2.000	2.500	0.125	0.375	2.300		
WNSI200250-234	WNS	2.000	2.500	0.234	0.345	2.437	R16037	NW2000
WJSI200250-250	WJS	2.000	2.500	0.250	0.250		RF3070	
WJSI200250-312	WJS	2.000	2.500	0.312	0.312		R26012	J-2000
WJSI200262-250	WJS	2.000	2.625	0.250	0.250			
WJSI200268-375	WJS	2.000	2.687	0.375	0.375		R26019	
WJSI200275-375	WJS	2.000	2.750	0.375	0.375			
940I206237-107	940	2.062	2.373	0.107	0.187	2.240	R094215	940-21.5
940I212242-107	940	2.125	2.427	0.107	0.187	2.303	R09422	940-22
WBSI212243-210	WBS	2.125	2.430	0.210	0.210	2.230	R50452	PWB-26
WHPI212249-218N	WHP	2.125	2.490	0.218	0.275	2.260	RW1150	H2125
WHPI212249-218U	WHP	2.125	2.490	0.218	0.275	2.260	RW1151	HU2125
WJSI212250-187	WJS	2.125	2.500	0.187	0.187			
WDSI212262-249	WDS	2.125	2.622	0.249	0.375	2.497	RD2125	D2125
WPOI212262-125	WPO	2.125	2.625	0.125	0.375	2.425		
WJSI212262-312	WJS	2.125	2.625	0.312	0.312		R26013	J-2125
WWSI212264-187	WWS	2.125	2.645	0.187	0.343	2.305		
WPUI212264-245	WPU	2.125	2.645	0.245	0.468	2.305	RPW32	W32
WWSI212264-245	WWS	2.125	2.645	0.245	0.468	2.305	R03854	W32
940I225255-107	940	2.250	2.552	0.107	0.187	2.428	R09423	940-23
WBSI225257-210	WBS	2.250	2.570	0.210	0.210	2.360	R51544	PWB-27
WPUI225262-183	WPU	2.250	2.625	0.183	0.343	2.430	RPW33A	W33A
MCWI225263-187	MCW	2.250	2.625	0.187	0.281			
WJSI225262-187	WJS	2.250	2.625	0.250	0.250		RF3071	
WHPI225274-281N	WHP	2.250	2.745	0.281	0.351	2.385	RF3039	H2250
WHPI225274-281U	WHP	2.250	2.745	0.281	0.351	2.385	RH2250	HU2250
WDSI225274-249	WDS	2.250	2.747	0.249	0.395	2.577	RD2250	D2250
WPOI225275-120	WPO	2.250	2.750	0.125	0.375	2.550		
WNSI225275-234	WNS	2.250	2.750	0.234	0.345	2.687	R53062	NW2250
WJSI225275-250	WJS	2.250	2.750	0.250	0.250		RF3073	
WJSI225275-312	WJS	2.250	2.750	0.312	0.312		R26014	J-2250
WPUI225277-245	WPU	2.250	2.770	0.245	0.468	2.430	RPW33	W33
WWSI225277-245	WWS	2.250	2.770	0.245	0.468	2.430	R03855	W33
WJSI225287-250	WJS	2.250	2.875	0.250	0.250		RF3074	
WJSI225300-250	WJS	2.250	3.000	0.250	0.250			
WJSI225300-375	WJS	2.250	3.000	0.375	0.375		R52848	
WJSI225325-500	WJS	2.250	3.250	0.500	0.500		RF3075	
940I237267-107	940	2.375	2.677	0.107	0.187	2.553	R09424	940-24



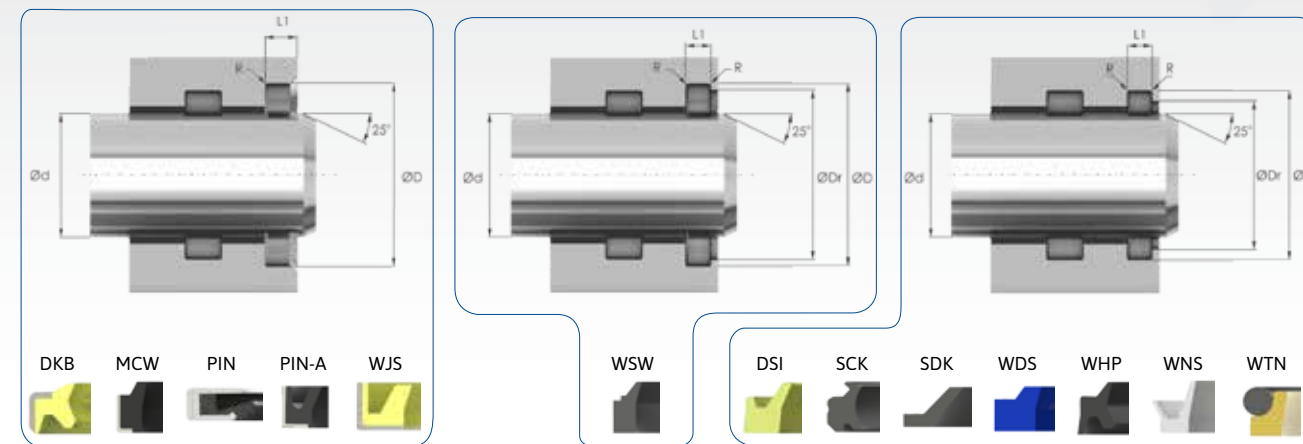
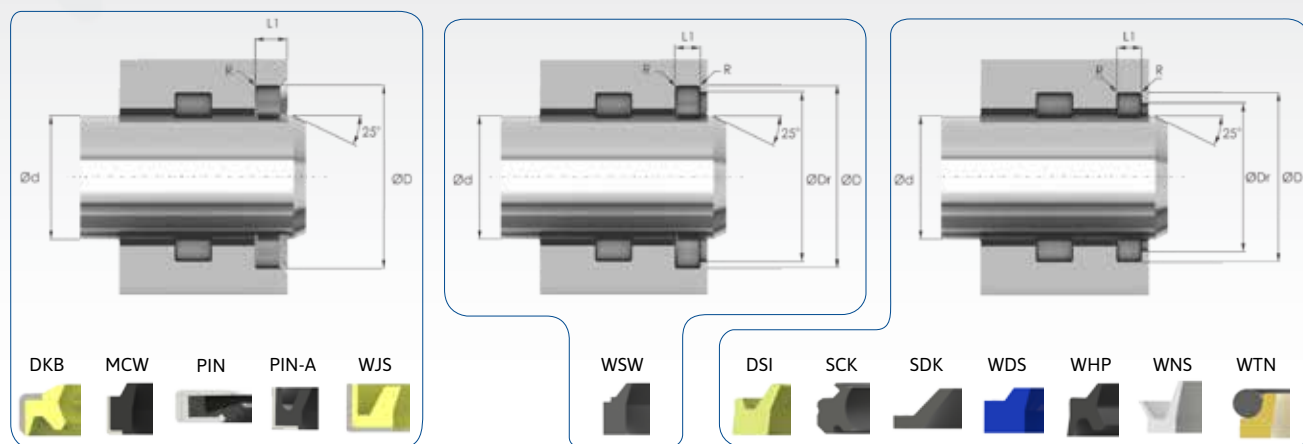
PART N°	PROFILE	HOUSING DIMENSIONS					REFERENCE N°	ALTERNATIVE REFERENCE N°
		$\varnothing d$	$\varnothing D$	L1	SH	$\varnothing DR$		
WBSI237270-220	WBS	2.375	2.700	0.220	0.220	2.490	R51409	PWB-28
WHPI237287-281N	WHP	2.375	2.870	0.281	0.351	2.510	RW1152	H2375
WDSI237287-249	WDS	2.375	2.872	0.249	0.375	2.702	RD2375	D2375
WPOI237287-125	WPO	2.375	2.875	0.125	0.375	2.675		
WJSI237287-312	WJS	2.375	2.875	0.312	0.312		R26015	J-2375
WPUI237289-245	WPU	2.375	2.895	0.245	0.468	2.555	RPW34	W34
WWSI237289-245	WWS	2.375	2.895	0.245	0.468	2.555	R03856	W34
WJSI237312-312	WJS	2.375	3.125	0.312	0.312			
940I243274-107	940	2.437	2.748	0.107	0.187	2.619	R094245	940-24.5
WDSI243293-249	WDS	2.437	2.934	0.249	0.375	2.764	RD2437	D2437
940I250280-107	940	2.500	2.802	0.107	0.187	2.678	R09425	940-25
WBSI250284-220	WBS	2.500	2.840	0.220	0.220	2.610	R51410	PWB-29
WPUI250287-183	WPU	2.500	2.870	0.183	0.343	2.680	RPW35A	W35A
WWSI250287-183	WWS	2.500	2.870	0.183	0.343	2.680	R03858	W35A
MCWI250288-187	MCW	2.500	2.875	0.187	0.281			
WHPI250299-281N	WHP	2.500	2.995	0.281	0.351	2.635	RF3040	H2500
WHPI250299-281U	WHP	2.500	2.995	0.281	0.351	2.635	RH2500	HU2500
WHPI250299-281V	WHP	2.500	2.995	0.281	0.351	2.635	RW1166	H2500
WDSI250300-249	WDS	2.500	2.997	0.249	0.395	2.827	RD2500	D2500
WPOI250300-125	WPO	2.500	3.000	0.125	0.375	2.800		
WJSI250300-188	WJS	2.500	3.000	0.188	0.188			
WNSI250300-234	WNS	2.500	3.000	0.234	0.345	2.937	R53151	NW2500
WDSI250300-249P	WDS	2.500	3.000	0.249	0.395	2.827		
WJSI250300-250	WJS	2.500	3.000	0.250	0.250		RF3077	
WJSI250300-312	WJS	2.500	3.000	0.312	0.312		R26016	J-2500
WPUI250302-245	WPU	2.500	3.020	0.245	0.468	2.680	RPW35	W35
WWSI250302-245	WWS	2.500	3.020	0.245	0.468	2.680	R03857	W35
WDSI250305-187	WDS	2.500	3.050	0.187	0.300	2.827		
WJSI250312-250	WJS	2.500	3.125	0.250	0.250		RF3078	
WJSI250318-375	WJS	2.500	3.187	0.375	0.375		RF3079	
WJSI250325-375	WJS	2.500	3.250	0.375	0.375			
WDSI256306-249	WDS	2.562	3.059	0.249	0.395	2.889	RD2562	D2562
WBSI262297-230	WBS	2.625	2.970	0.230	0.230	2.740	RF3011	PWB-30
940I262298-122	940	2.625	2.989	0.122	0.211	2.834	R09426	940-26
WHPI262312-281N	WHP	2.625	3.120	0.281	0.351	2.760	RW1153	H2625
WHPI262312-281U	WHP	2.625	3.120	0.281	0.351	2.760	RW1154	HU2625
WDSI262312-249	WDS	2.625	3.122	0.249	0.395	2.952	RD2625	D2625
WJSI262312-250	WJS	2.625	3.125	0.250	0.250		RF3080	
WJSI262312-312	WJS	2.625	3.125	0.312	0.312		R26017	J-2625
WWSI262314-245	WWS	2.625	3.145	0.245	0.468	2.805	R03859	W37
WPUI262314-245	WPU	2.625	3.145	0.245	0.468	3.805	RPW37	W37
WBSI275311-230	WBS	2.750	3.110	0.230	0.230	2.870	R50448	PWB-31
940I275311-122	940	2.750	3.114	0.122	0.203	2.959	R09427	940-27
MCWI275313-187	MCW	2.750	3.125	0.187	0.281			
WDSI275312-187	WDS	2.750	3.125	0.187	0.312	3.000		

PART N°	PROFILE	HOUSING DIMENSIONS					REFERENCE N°	ALTERNATIVE REFERENCE N°
		$\varnothing d$	$\varnothing D$	L1	SH	$\varnothing DR$		
WPUI275324-245	WPU	2.750	3.245	0.245	0.468	2.930	RPW38	W38
WWSI275324-245	WWS	2.750	3.245	0.245	0.468	2.930	R03860	W38
WHPI275324-281N	WHP	2.750	3.245	0.281	0.351	2.885	RF3041	H2750
WDSI275324-249	WDS	2.750	3.247	0.249	0.395	3.077	RD2750	D2750
WPOI275325-125	WPO	2.750	3.250	0.125	0.375	3.050		
WNSI275325-234	WNS	2.750	3.250	0.234	0.345	3.187	R15535	NW2750
WJSI275325-312	WJS	2.750	3.250	0.312	0.312		R26018	J-2750
WJSI275350-375	WJS	2.750	3.500	0.375	0.375		RF3081	
WJSI275375-500	WJS	2.750	3.750	0.500	0.500		RF3082	
940I287323-122	940	2.875	3.239	0.122	0.203	3.084	R09428	940-28
WBSI287324-240	WBS	2.875	3.240	0.240	0.240	3.000	RW1016	PWB-32
WHPI287337-281N	WHP	2.875	3.370	0.281	0.351	3.010	RW1155	H2875
WDSI287337-249	WDS	2.875	3.372	0.249	0.375	3.202	RD2875	D2875
WPOI287337-125	WPO	2.875	3.375	0.125	0.375	3.175		
WJSI287337-250	WJS	2.875	3.375	0.250	0.250			
940I300336-122	940	3.000	3.364	0.122	0.211	3.209	R09429	940-29
MCWI300338-187	MCW	3.000	3.375	0.187	0.281			
WPUI300337-187	WPU	3.000	3.375	0.187	0.343	3.180	RPW40A	W40A
WBSI300338-240	WBS	3.000	3.380	0.240	0.240	3.130	R58956	PWB-33
WHPI300349-281N	WHP	3.000	3.495	0.281	0.351	3.135	R86494	H3000
WHPI300349-281U	WHP	3.000	3.495	0.281	0.351	3.135	RH3000	H3000
WDSI300350-249	WDS	3.000	3.497	0.249	0.395	3.327	RD3000	D3000
WPOI300350-125	WPO	3.000	3.500	0.125	0.375	3.300		
WNSI300350-234	WNS	3.000	3.500	0.234	0.345	3.437	R55200	NW3000
WJSI300350-312	WJS	3.000	3.500	0.312	0.312		R26020	J-3000
WPUI300352-245	WPU	3.000	3.520	0.245	0.468	3.180	RPW40	W40
WWSI300352-245	WWS	3.000	3.520	0.245	0.468	3.180	R03861	W40
WJSI300375-375	WJS	3.000	3.750	0.375	0.375		RF3083	
WJSI300400-500	WJS	3.000	4.000	0.500	0.500			
940I312348-122	940	3.125	3.489	0.122	0.203	3.334	R09430	940-30
WBSI312350-250	WBS	3.125	3.500	0.250	0.250	3.260	RW1017	PWB-34
WHPI312362-281N	WHP	3.125	3.620	0.281	0.351	3.260	RW1156	H3125
WDSI312362-249	WDS	3.125	3.625	0.249	0.395	3.452	RD3125	D3125
WPUI312364-245	WPU	3.125	3.645	0.245	0.468	3.305	RPW41	W41
WWSI312364-245	WWS	3.125	3.645	0.245	0.468	3.305	R03862	W41
WJSI312375-375	WJS	3.125	3.750	0.375	0.375			
WPOI312387-187	WPO	3.125	3.875	0.187	0.500	3.425		
WJSI312412-500	WJS	3.125	4.125	0.500	0.500			
940I325361-122	940	3.250	3.614	0.122	0.211	3.459	R09431	940-31
WBSI325365-250	WBS	3.250	3.650	0.250	0.250	3.390	R50445	PWB-35
WPUI325374-245	WPU	3.250	3.745	0.245	0.468	3.430	RPW42	W42
WWSI325374-245	WWS	3.250	3.745	0.245	0.468	3.430	R03863	W42
WHPI325374-281N	WHP	3.250	3.745	0.281	0.351	3.385	RF3042	H3250
WDSI325375-249	WDS	3.250	3.747	0.249	0.395	3.577	RD3250	D3250
WNSI325375-234	WNS	3.250	3.750	0.234	0.345	3.687	R55437	NW3250



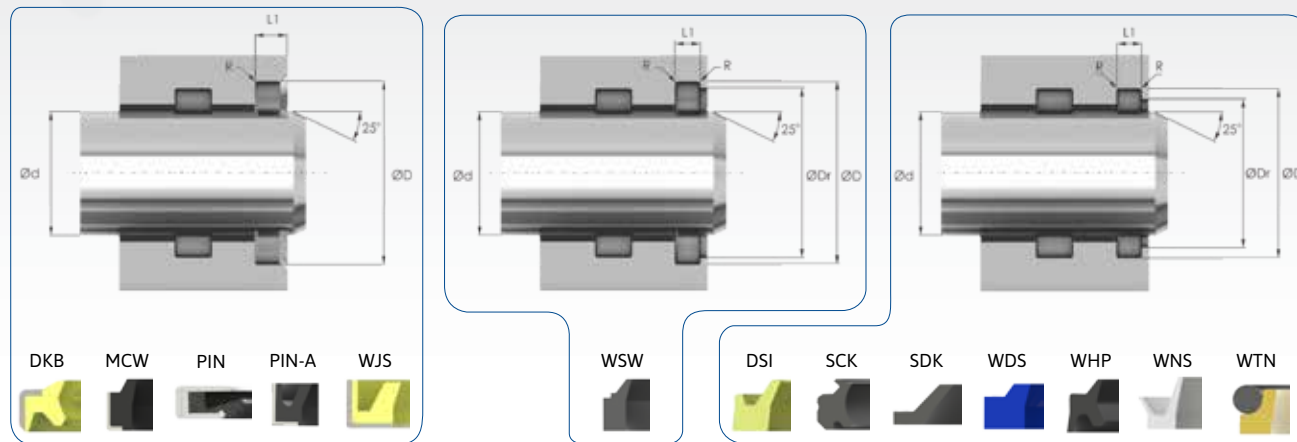
PART N°	PROFILE	HOUSING DIMENSIONS					REFERENCE N°	ALTERNATIVE REFERENCE N°
		$\varnothing D$	$\varnothing D$	L1	SH	$\varnothing DR$		
WJSI325375-312	WJS	3.250	3.750	0.312	0.312			
WJSI325387-312	WJS	3.250	3.875	0.312	0.312	R26022	J-3250	
WPOI325400-187	WPO	3.250	4.000	0.187	0.500	3.650		
WJSI325400-250	WJS	3.250	4.000	0.250	0.250		RF3084	
940I337372-122	940	3.375	3.729	0.122	0.203	3.584	RF3002 940-32	
WBSI337378-260	WBS	3.375	3.780	0.260	0.260	3.510	R50449 PWB-36	
WHPI337387-281N	WHP	3.375	3.870	0.281	0.351	3.510	RW1157 H3375	
WDSI337387-249	WDS	3.375	3.872	0.249	0.375	3.702	RD3375 D3375	
WPUI337389-245	WPU	3.375	3.895	0.245	0.468	3.555	RPW43 W43	
WWSI337389-245	WWS	3.375	3.895	0.245	0.468	3.555	R03864 W43	
940I350386-122	940	3.500	3.864	0.122	0.211	3.709	R09433 940-33	
WJSI350387-187	WJS	3.500	3.875	0.187	0.187			
WPUI350387-187	WPU	3.500	3.875	0.187	0.343	3.680	RPW44A W44A	
WBSI350392-270	WBS	3.500	3.920	0.270	0.270	3.640	R50446 PWB-37	
WHPI350399-281N	WHP	3.500	3.995	0.281	0.351	3.635	RF3043 H3500	
WHPI350399-281U	WHP	3.500	3.995	0.281	0.351	3.635	RH3500 HU3500	
WDSI350400-249	WDS	3.500	3.997	0.249	0.395	3.827	RD3500 D3500	
WNSI350400-234	WNS	3.500	4.000	0.234	0.345	3.937	R54960 NW3500	
WJSI350400-250	WJS	3.500	4.000	0.250	0.250			
WJSI350400-312	WJS	3.500	4.000	0.312	0.312			
WPUI350402-245	WPU	3.500	4.020	0.245	0.468	3.680	RPW44 W44	
WWSI350402-245	WWS	3.500	4.020	0.245	0.468	3.680	R03865 W44	
WJSI350412-250	WJS	3.500	4.125	0.250	0.250			
WJSI350412-312	WJS	3.500	4.125	0.312	0.312		R26024 J-3500	
WPOI350425-187	WPO	3.500	4.250	0.187	0.500	3.900		
WJSI350425-312	WJS	3.500	4.250	0.312	0.312			
WJSI350450-500	WJS	3.500	4.500	0.500	0.500			
940I362398-122	940	3.625	3.989	0.122	0.203	3.834	R09434 940-34	
WBSI362405-270	WBS	3.625	4.050	0.270	0.270	3.770	RW1018 PWB-38	
WHPI362412-281N	WHP	3.625	4.120	0.281	0.351	3.760	RW1158 H3625	
WDSI362412-249	WDS	3.625	4.122	0.249	0.375	9.952	RD3625 D3625	
WPUI362414-245	WPU	3.625	4.145	0.245	0.468	3.805	RPW45 W45	
WBSI375410-280	WBS	3.750	4.100	0.280	0.280	3.900	R56133 PWB-39	
940I375411-122	940	3.750	4.114	0.122	0.203	3.959	R09435 940-35	
WDSI375412-187	WDS	3.750	4.125	0.187	0.312	4.000		
WHPI375424-281N	WHP	3.750	4.245	0.281	0.351	3.885	RF3045 H3750	
WDSI375425-249	WDS	3.750	4.247	0.249	0.395	4.077	RD3750 D3750	
WNSI375425-234	WNS	3.750	4.250	0.234	0.345	4.187	R52411 NW3750	
WJSI375425-312	WJS	3.750	4.250	0.312	0.312			
WPUI375427-245	WPU	3.750	4.270	0.245	0.468	3.930	RPW46 W46	
WWSI375427-245	WWS	3.750	4.270	0.245	0.468	3.930	R03866 W46	
WJSI375437-312	WJS	3.750	4.375	0.312	0.312		R59686 J-3750	
WPOI375450-187	WPO	3.750	4.500	0.187	0.500	4.150		
WJSI375475-500	WJS	3.750	4.750	0.500	0.500		RF3090	
940I387423-122	940	3.875	4.239	0.122	0.203	4.084	R09436 940-36	

PART N°	PROFILE	HOUSING DIMENSIONS					REFERENCE N°	ALTERNATIVE REFERENCE N°
		$\varnothing D$	$\varnothing D$	L1	SH	$\varnothing DR$		
WHPI387437-281N	WHP	3.875	4.370	0.281	0.351	4.010	RW1159 H3875	
WDSI387437-249	WDS	3.875	4.372	0.249	0.395	4.202	RD3875 D3875	
940I400442-138	940	4.000	4.427	0.138	0.218	4.240	R09437 940-37	
WBSI400446-290	WBS	4.000	4.460	0.290	0.290	4.160	R50447 PWB-41	
WHPI400449-281N	WHP	4.000	4.495	0.281	0.351	4.135	RF3046 H4000	
WHPI400449-281U	WHP	4.000	4.495	0.281	0.351	4.135	RH4000 HU4000	
WDSI400450-249	WDS	4.000	4.497	0.249	0.395	4.327	RD4000 D4000	
WNSI400450-234	WNS	4.000	4.500	0.234	0.345	4.437	R58954 NW4000	
MCWI400450-250	MCW	4.000	4.500	0.250	0.375			
WJSI400450-312	WJS	4.000	4.500	0.312	0.312			
WPUI400452-245	WPU	4.000	4.520	0.245	0.468	4.180	RPW49 W49	
WWSI400452-245	WWS	4.000	4.520	0.245	0.468	4.180	R03867 W49	
WJSI400462-312	WJS	4.000	4.625	0.312	0.312		R26027 J-4000	
WPOI400475-187	WPO	4.000	4.750	0.187	0.500	4.400		
WJSI400475-250	WJS	4.000	4.750	0.250	0.250			
WJSI400475-312	WJS	4.000	4.750	0.312	0.312			
940I412455-138	940	4.125	4.552	0.138	0.218	4.365	R09438 940-38	
WDSI412462-249	WDS	4.125	4.622	0.249	0.375	4.452	RD4125 D4125	
940I425467-138	940	4.250	4.677	0.138	0.218	4.490	R09439 940-39	
WBSI425473-300	WBS	4.250	4.730	0.300	0.300	4.410	R50450 PWB-44	
WDSI425475-249	WDS	4.250	4.747	0.249	0.395	4.577	RD4250 D4250	
WJSI425475-312	WJS	4.250	4.750	0.312	0.312			
WWSI425477-245	WWS	4.250	4.770	0.245	0.468	4.430	R03868 W50	
WJSI425487-312	WJS	4.250	4.875	0.312	0.312		RF3093 J-4250	
WPOI425500-375	WPO	4.250	5.000	0.187	0.500	4.650		
WJSI425500-500	WJS	4.250	5.000	0.500	0.500			
940I437480-138	940	4.375	4.802	0.138	0.218	4.619	R09440 940-40	
WBSI437486-300	WBS	4.375	4.860	0.300	0.300	4.540	RW1019 PWB-45	
WDSI437487-249	WDS	4.375	4.872	0.249	0.395	4.702	RD4375 D4375	
940I450492-138	940	4.500	4.927	0.138	0.218	4.740	R09441 940-41	
WHPI450499-281N	WHP	4.500	4.995	0.281	0.351	4.635	RF3047 H4500	
WNSI450500-234	WNS	4.500	5.000	0.234	0.345	4.937	R51497 NW4500	
WBSI450500-312	WBS	4.500	5.000	0.312	0.312	4.670	R50423 PWB-46	
WPUI450502-245	WPU	4.500	5.020	0.245	0.468	4.680	RPW51 W51	
WWSI450502-245	WWS	4.500	5.020	0.245	0.468	4.680	R03869 W51	
WJSI450512-312	WJS	4.500	5.125	0.312	0.312		R26028 J-4500	
WDSI450525-374	WDS	4.500	5.247	0.374	0.585	4.993	RD4500 D4500	
WPOI450525-187	WPO	4.500	5.250	0.187	0.500	4.900		
WJSI450525-312	WJS	4.500	5.250	0.312	0.312		RF3094	
WDSI450525-374P	WDS	4.500	5.250	0.374	0.585	4.993		
WJSI450550-500	WJS	4.500	5.500	0.500	0.500		RF3095	
940I462505-138	940	4.625	5.052	0.138	0.218	4.865	R09442 940-42	
WDSI462537-375	WDS	4.625	5.372	0.374	0.585	5.118	RF3024 D4625	
WDSI475512-187	WDS	4.750	5.125	0.187	0.312	5.000		
940I475517-138	940	4.750	5.177	0.138	0.218	4.990	R09443 940-43	

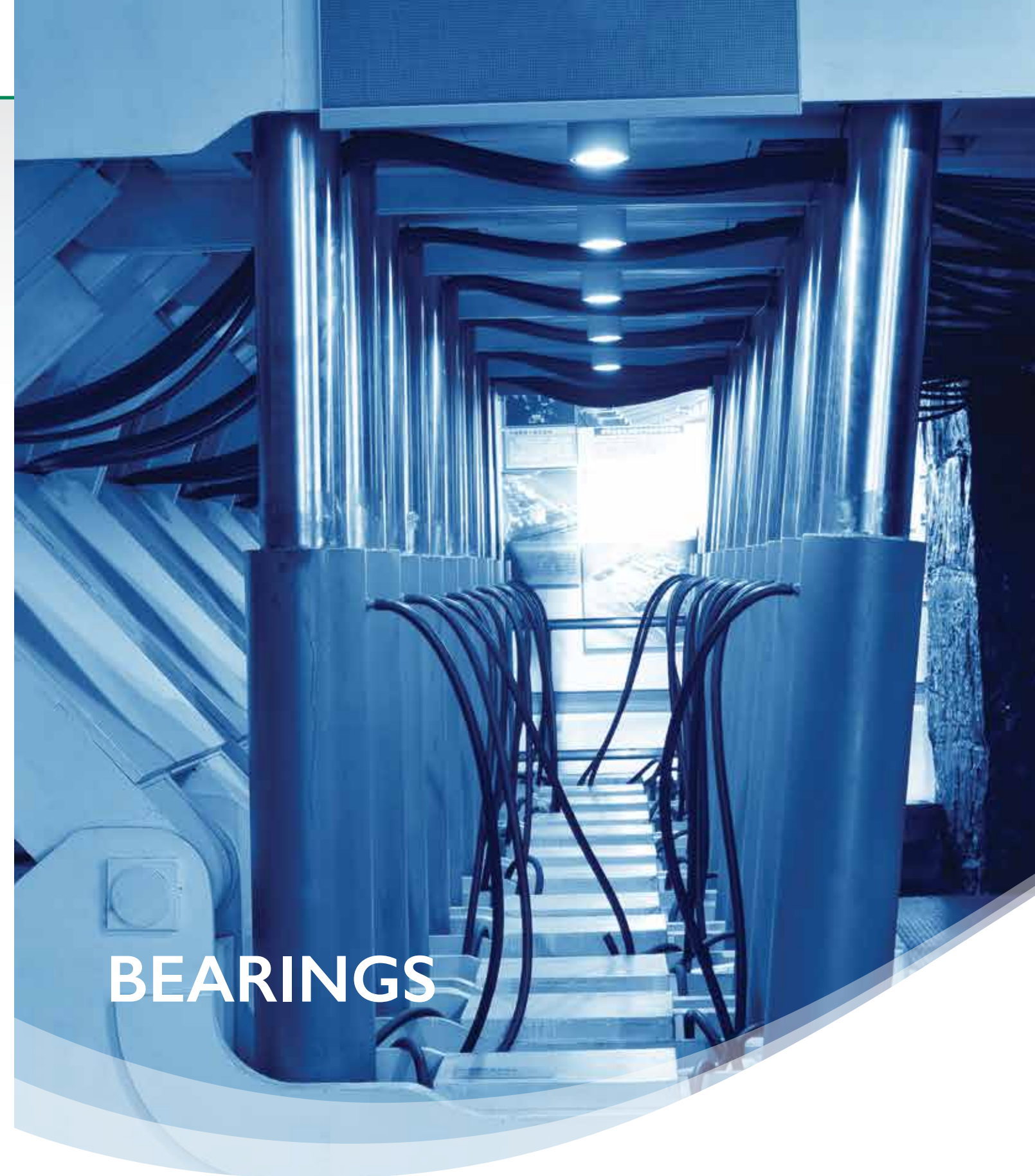


PART N°	PROFILE	HOUSING DIMENSIONS					REFERENCE N°	ALTERNATIVE REFERENCE N°
		$\varnothing d$	$\varnothing D$	L1	SH	$\varnothing DR$		
WNSI475525-234	WNS	4.750	5.250	0.234	0.345	5.187		
WWSI475527-255	WWS	4.750	5.275	0.245	0.468	4.930	R03870	W52
WDSI475550-374	WDS	4.750	5.497	0.374	0.585	5.243	RD4750	D4750
WPOI475550-187	WPO	4.750	5.500	0.187	0.500	5.150		
WJSI475575-500	WJS	4.750	5.750	0.500	0.500		R56251	
940I487530-138	940	4.875	5.302	0.138	0.218	5.119	RF3633	940-44
WDSI487562-375	WDS	4.875	5.622	0.374	0.585	5.368	RF3026	D4875
940I500542-138	940	5.000	5.427	0.138	0.218	5.240	R09445	940-45
WHPIS00549-281N	WHP	5.000	5.495	0.281	0.351	5.135	RF3048	H5000
WNSI500550-234	WNS	5.000	5.500	0.234	0.345	5.437	R54238	NW5000
WPUIS00552-245	WPU	5.000	5.520	0.245	0.468	5.180	RPW53	W53
WWSI500552-245	WWS	5.000	5.520	0.245	0.468	5.180	R03871	W53
WJSI500562-312	WJS	5.000	5.625	0.312	0.312		R26029	J-5000
WDSI500575-375	WDS	5.000	5.747	0.374	0.585	5.493	RD5000	D5000
WPOI500575-187	WPO	5.000	5.750	0.187	0.500	5.400		
WJSI500575-312	WJS	5.000	5.750	0.312	0.312			
WJSI500600-500	WJS	5.000	6.000	0.500	0.500			
940I512555-138	940	5.125	5.552	0.138	0.218	5.365	RF3004	940-46
WDSI512587-375	WDS	5.125	5.872	0.374	0.585	5.618	RD5125	D5125
940I525566-138	940	5.250	5.667	0.138	0.218	5.490	R09447	940-47
WJSI525575-312	WJS	5.250	5.750	0.312	0.312			
WWSI525577-245	WWS	5.250	5.770	0.245	0.468	5.430	R03872	W54
WBSI525581-340	WBS	5.250	5.810	0.340	0.340	5.440	RW1020	PWB-50
WDSI525600-375	WDS	5.250	5.997	0.374	0.585	5.743	RF3028	D5250
940I537580-138	940	5.375	5.802	0.138	0.218	5.619	RF3635	940-48
WBSI537594-345	WBS	5.375	5.945	0.345	0.345	5.570	RW1021	PWB-51
WDSI537612-375	WDS	5.375	6.122	0.374	0.585	5.868	RD5375	D5375
940I550592-138	940	5.500	5.927	0.138	0.218	5.740	R09449	940-49
WHPIS00599-281N	WHP	5.500	5.995	0.281	0.351	5.635	RF3050	H5500
WPUIS00602-245	WPU	5.500	6.020	0.245	0.468	5.680	RPW56	W56
WWSI50602-245	WWS	5.500	6.020	0.245	0.468	5.680	R03873	W56
WBSI50608-350	WBS	5.500	6.080	0.350	0.350	5.700	RW1022	PWB-52
WDSI50625-375	WDS	5.500	6.247	0.374	0.585	5.993	RD5500	D5500
WPOI50625-187	WPO	5.500	6.250	0.187	0.500	5.900		
WJSI50650-500	WJS	5.500	6.500	0.500	0.500			
940I562611-154	940	5.625	6.114	0.154	0.250	5.865	RF3006	940-50
WBSI562612-355	WBS	5.625	6.126	0.355	0.355	5.885	RW1023	PWB-53
WDSI562637-375	WDS	5.625	6.372	0.374	0.585	6.118	RD5625	D5625
940I575623-154	940	5.750	6.239	0.154	0.250	6.022	R09451	940-51
WDSI575650-375	WDS	5.750	6.497	0.374	0.585	6.243	RD5750	D5750
940I587636-154	940	5.875	6.364	0.154	0.250	6.147	RF3637	940-52
WDSI587662-375	WDS	5.875	6.622	0.374	0.585	6.368	RD5875	D5875
940I600648-154	940	6.000	6.489	0.154	0.250	6.272	R09453	940-53
WHPIS00649-281N	WHP	6.000	6.495	0.281	0.351	6.135	RW1160	H5000
WHPIS00649-281U	WHP	6.000	6.495	0.281	0.351	6.135	RW1161	HU5000

PART N°	PROFILE	HOUSING DIMENSIONS					REFERENCE N°	ALTERNATIVE REFERENCE N°
		$\varnothing d$	$\varnothing D$	L1	SH	$\varnothing DR$		
WPUIS00652-245	WPU	6.000	6.520	0.245	0.468	6.180	RPW58	W58
WWSI600652-245	WWS	6.000	6.520	0.245	0.468	6.180	R03874	W58
WBSI600662-380	WBS	6.000	6.620	0.380	0.380	6.210	RW1024	PWB-56
WNSI600662-234	WNS	6.000	6.625	0.234	0.345	6.562	R52668	NW6000
WJSI600662-375	WJS	6.000	6.625	0.375	0.375			
WDSI600675-375	WDS	6.000	6.747	0.374	0.585	6.493	RD6000	D6000
WPOI600675-187	WPO	6.000	6.750	0.187	0.500	6.400		
940I625673-154	940	6.250	6.739	0.154	0.250	6.522	R09454	940-54
WPUIS00677-245	WPU	6.250	6.770	0.245	0.468	6.430	RPW59	W59
WDSI625700-375	WDS	6.250	6.997	0.374	0.585	6.743	RD6250	D6250
WDSI637712-375	WDS	6.375	7.122	0.374	0.585	6.868	RD6375	D6375
940I650698-154	940	6.500	6.989	0.154	0.250	6.772	R09455	940-55
WHPIS00699-281U	WHP	6.500	6.995	0.281	0.351	6.635	RH6500	HU6500
WNSI650712-234	WNS	6.500	7.125	0.234	0.345	7.062	R52705	NW6500
WDSI650725-375	WDS	6.500	7.247	0.374	0.585	6.993	RD6500	D6500
WJSI650725-312	WJS	6.500	7.250	0.312	0.312			
WPOI650750-250	WPO	6.500	7.500	0.250	0.625	7.000		
WBSI662729-405	WBS	6.625	7.295	0.405	0.405	6.850	RW1025	PWB-61
940I675723-154	940	6.750	7.239	0.154	0.250	7.022	R09456	940-56
WJSI675725-312	WJS	6.750	7.250	0.312	0.312			
WDSI675750-375	WDS	6.750	7.497	0.374	0.585	7.243	RD6750	D6750
WDSI687762-375	WDS	6.875	7.622	0.374	0.585	7.368	RD6875	D6875
940I700748-154	940	7.000	7.489	0.154	0.250	7.272	R09457	940-57
WHPIS00749-281N	WHP	7.000	7.495	0.281	0.351	7.135	RF3052	H7000
WPUIS00752-245	WPU	7.000	7.520	0.245	0.468	7.180	RPW62	W62
WWSI700752-245	WWS	7.000	7.520	0.245	0.468	7.180		
WDSI700775-375	WDS	7.000	7.747	0.374	0.585	7.493	RD7000	D7000
WJSI700800-312	WJS	7.000	7.750	0.312	0.312			
WPOI700800-250	WPO	7.000	8.000	0.250	0.625	7.500		
WJSI700800-500	WJS	7.000	8.000	0.500	0.500			
940I725773-154	940	7.250	7.739	0.154	0.250	7.522	RF3008	940-58
WDSI725800-375	WDS	7.250	7.997	0.374	0.585	7.743	RF3031	D7250
940I750798-154	940	7.500	7.989	0.154	0.250	7.772	R09459	940-59
WNSI750812-234	WNS	7.500	8.125	0.234	0.345	8.062		
WDSI750825-375	WDS	7.500	8.247	0.374	0.585	7.993	RD7500	D7500
940I775823-154	940	7.750	8.239	0.154	0.250	8.022	RF3639	940-60
WDSI775850-375	WDS	7.750	8.497	0.374	0.585	8.243	RD7750	D7750
940I800848-154	940	8.000	8.489	0.154	0.250	8.272	R09461	940-61
WHPIS00849-281N	WHP	8.000	8.495	0.281	0.351	8.135	RW1162	H8000
WWSI800852-245	WWS	8.000	8.520	0.245	0.468	8.180		
WDSI800875-375	WDS	8.000	8.747	0.374	0.585	8.493	RD8000	D8000
WDSI825900-375	WDS	8.250	8.997	0.374	0.585	8.743	RF3033	D8250
940I850898-154	940	8.500	8.989	0.154	0.250	8.772	R09462	940-62
WDSI850925-375	WDS	8.500	9.247	0.374	0.585	8.993	RD8500	D8500
WDSI875950-375	WDS	8.750	9.497	0.374	0.585	9.243	RD8750	D8750



PART N°	PROFILE	HOUSING DIMENSIONS					REFERENCE N°	ALTERNATIVE REFERENCE N°
		$\varnothing D$	$\varnothing D$	L1	SH	$\varnothing DR$		
940I900948-154	940	9.000	9.489	0.154	0.250	9.272	R09463	940-63
WHPI900949-281N	WHP	9.000	9.495	0.281	0.351	9.135	RW1163	H9000
WDSI900975-375	WDS	9.000	9.747	0.374	0.585	9.493	RD9000	D9000
940I950998-154	940	9.500	9.989	0.154	0.250	9.772	R09464	940-64
WDSI9501025-375	WDS	9.500	10.247	0.374	0.585	9.993	RD9500	D9500
WDSI9751050-375	WDS	9.750	10.497	0.585	0.585	10.243	RD9750	D9750
940I10001048-154	940	10.000	10.489	0.154	0.250	10.272		
WDSI10001100-500	WDS	10.000	10.997	0.499	0.775	10.659	RD10500	D10500
940I10501098-154	940	10.500	10.989	0.154	0.250	10.772	R09466	940-66
WDSI10501150-500	WDS	10.500	11.497	0.499	0.775	11.159	R59589	D10000
940I10751125-250	940	10.750	11.254	0.154	0.250	11.022	R094665	940-66.5
940I11001148-154	940	11.000	11.489	0.154	0.250	11.272	R09467	940-67
WDSI11001200-500	WDS	11.000	11.997	0.499	0.775	11.659	RF3643	D11000
940I11501198-169	940	11.500	11.989	0.154	0.250	11.772	RF3000	940-68
WDSI11501250-500	WDS	11.500	12.497	0.499	0.775	12.159	RD11500	D11500
940I12001250-169	940	12.000	12.509	0.169	0.289	12.272	R09469	940-69
WDSI12001300-500	WDS	12.000	12.997	0.499	0.775	12.659	RF3645	D12000
WDSI12501350-500	WDS	12.500	13.500	0.499	0.775	13.159		
940I13001350-169	940	13.000	13.509	0.250	0.289	13.272	R09471	940-71
WDSI13001400-500	WDS	13.000	13.997	0.499	0.775	13.659	RD13000	D13000
WDSI14001500-500	WDS	14.000	14.997	0.499	0.775	14.659	RD14000	D14000



BEARINGS

BDU



BRA



TECHNICAL SPECIFICATIONS

SPECIFIED TOLERANCES

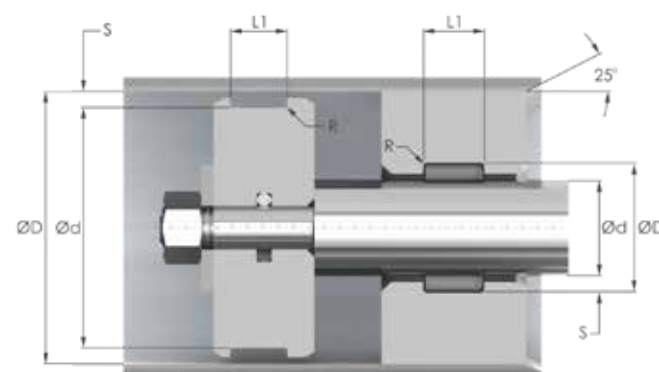
	ØD	Ød	L1	Rmax
ROD	+0.05 (+0.002) -0.00 (-0.000)	h9	+0.20 (+ 0.008) -0.00 (-0.000)	+0.40 (+ 0.016)
PISTON	H9	+0.00 (+0.000) -0.05 (-0.002)	+0.20 (+0.008) -0.00 (-0.000)	+0.40 (+ 0.016)

MAXIMUM OPERATING CONDITIONS

Temp °C	Speed
-40° to +110° C	4.0 m/sec (12.0 ft/sec)

SURFACE FINISH

DYNAMIC SEALING SURFACE	0.4 µm Ra
STATIC SEALING SURFACE, FACE	3.2 µm Ra



DESIGN

- For ROD APPLICATIONS ONLY
- Teflon coated steel bushing
- Split for ease of assembly
- High compressive strength

MATERIAL

- Steel bush with bronze lining and a filled PTFE coating

APPLICATION

- Eliminates stick-slip between moving parts
- Used in earthmoving cylinders
- Can be run in dry environments
- Can be fitted between a rod seal and wiper

FLUIDS

- Mineral based oils, water/glycol and water emulsions

TECHNICAL SPECIFICATIONS

SPECIFIED TOLERANCES

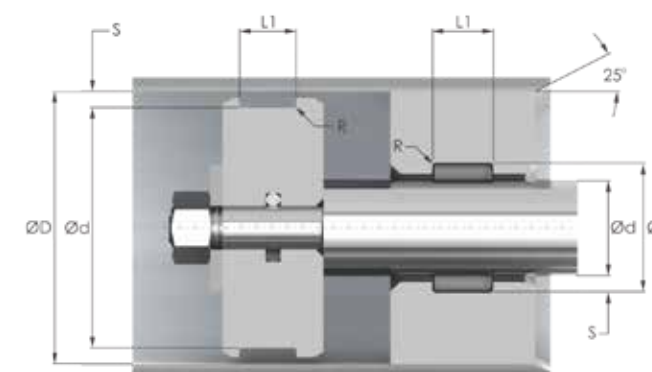
	ØD	Ød	L1	Rmax
ROD	+0.05 (+0.002) -0.00 (-0.000)	h9	+0.20 (+ 0.008) -0.00 (-0.000)	+0.40 (+ 0.016)
PISTON	H9	+0.00 (+0.000) -0.05 (-0.002)	+0.20 (+0.008) -0.00 (-0.000)	+0.40 (+ 0.016)

MAXIMUM OPERATING CONDITIONS

Temp °C	Speed
-40° to +110° C	5.0 m/sec (15.0 ft/sec)

SURFACE FINISH

DYNAMIC SEALING SURFACE	0.4 µm Ra
STATIC SEALING SURFACE, FACE	3.2 µm Ra



DESIGN

- Polyacetal bearings exhibiting good abrasion resistance and low friction
- Medium compressive strength
- Used in conjunction with most seals

MATERIAL

- Polyacetal Resin

APPLICATION

- Used to minimise metal to metal contact
- Economical bearing arrangement

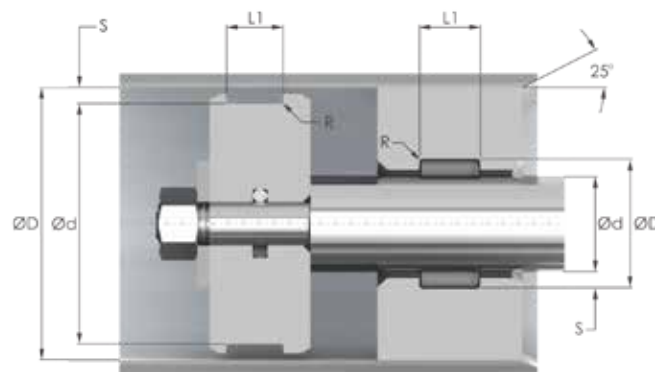
FLUIDS

- Mineral based oils, water/glycol and water emulsions

BRB



TECHNICAL SPECIFICATIONS



SPECIFIED TOLERANCES				
	$\varnothing D$	$\varnothing d$	L1	Rmax
ROD	+0.05 (+0.002) -0.00 (-0.000)	h9	+0.20 (+ 0.008) -0.00 (-0.000)	+0.40 (+ 0.016)
PISTON	H9	+0.00 (+0.000) -0.05 (-0.002)	+0.20 (+0.008) -0.00 (-0.000)	+0.40 (+ 0.016)

MAXIMUM OPERATING CONDITIONS	
Temp °C	Speed
- 50° to + 200° C	5.0 m/sec (15.0 ft/sec)

SURFACE FINISH	
DYNAMIC SEALING SURFACE	0.4 μm Ra
STATIC SEALING SURFACE, FACE	3.2 μm Ra

DESIGN

- Function serves to ensure piston is kept centre in bore to maintain even wear and pressure distribution across the seal.
- Bronze Filled PTFE offers good extrusion resistance and is suitable for tight tolerance applications.
- Ideal in high temperature applications.
- Resistant to stick-slip between piston and cylinder bore.

MATERIAL

- Carbon & Bronze Filled PTFE

APPLICATION

- Suitable applications where high friction and high temperatures may be present.

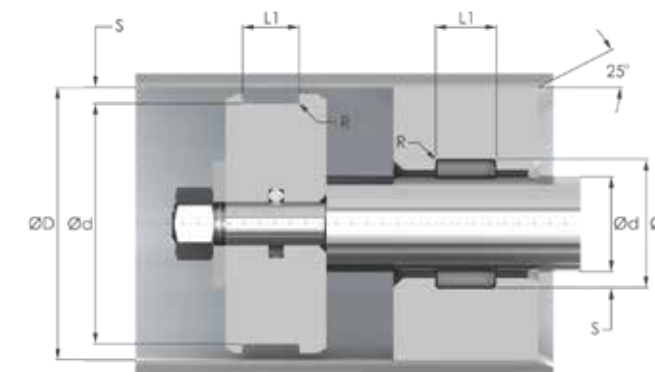
FLUIDS

- Hydraulic fluids, petroleum fuels and oils

BRG



TECHNICAL SPECIFICATIONS



SPECIFIED TOLERANCES				
	$\varnothing D$	$\varnothing d$	L1	Rmax
ROD	+0.05 (+0.002) -0.00 (-0.000)	h9	+0.20 (+ 0.008) -0.00 (-0.000)	+0.40 (+ 0.016)
PISTON	H9	+0.00 (+0.000) -0.05 (-0.002)	+0.20 (+0.008) -0.00 (-0.000)	+0.40 (+ 0.016)

MAXIMUM OPERATING CONDITIONS	
Temp °C	Speed
- 40° to + 110° C	5.0 m/sec (15.0 ft/sec)

SURFACE FINISH	
DYNAMIC SEALING SURFACE	0.4 μm Ra
STATIC SEALING SURFACE, FACE	3.2 μm Ra

DESIGN

- Heat stabilised nylon, internally lubricated and reinforced with glass fibres
- High compressive strength

MATERIAL

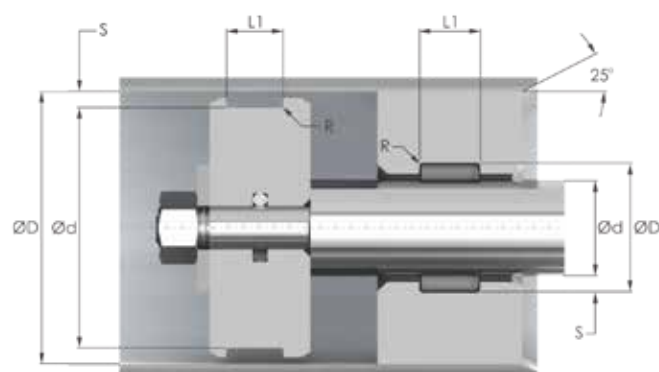
- 30% glass-filled nylon

APPLICATION

- Ideal for severe applications
- Capable of withstanding extreme side loading
- Economical bearing arrangement

FLUIDS

- Hydraulic fluids & petroleum fuels & oils



TECHNICAL SPECIFICATIONS

SPECIFIED TOLERANCES				
	ØD	Ød	L1	Rmax
ROD	+0.05 (+0.002)	h9	+0.20 (+ 0.008)	+0.40 (+ 0.016)
	-0.00 (-0.000)		-0.00 (-0.000)	
PISTON	H9	+0.00 (+0.000)	+0.20 (+0.008)	+0.40 (+ 0.016)
		-0.05 (-0.002)	-0.00 (-0.000)	

MAXIMUM OPERATING CONDITIONS	
Temp °C	Speed
- 40° to + 120° C	5.0 m/sec (15.0 ft/sec)

SURFACE FINISH	
DYNAMIC SEALING SURFACE	0.4 µm Ra
STATIC SEALING SURFACE, FACE	3.2 µm Ra

DESIGN

- Fabric reinforced phenolic resin bearing rings
- High compressive strength

MATERIAL

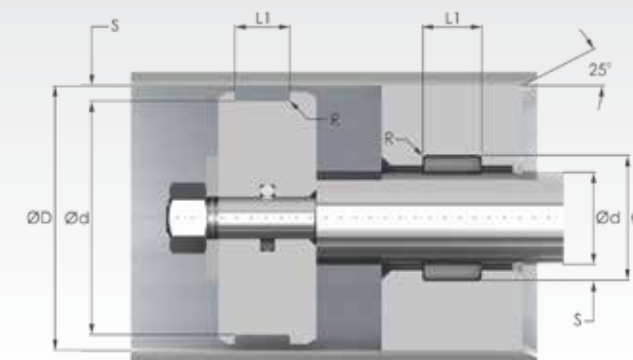
- Fabric reinforced phenolic resin

APPLICATION

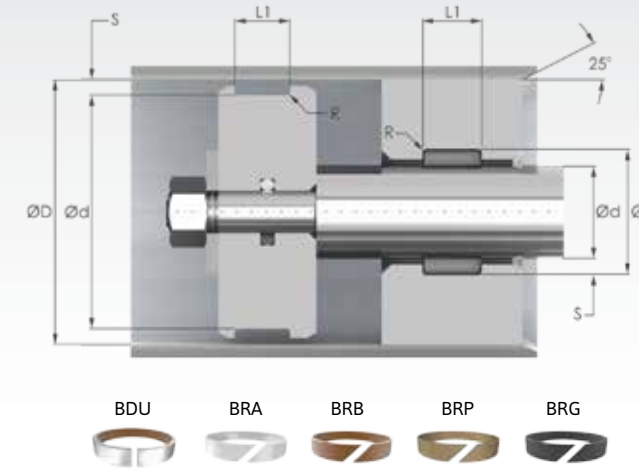
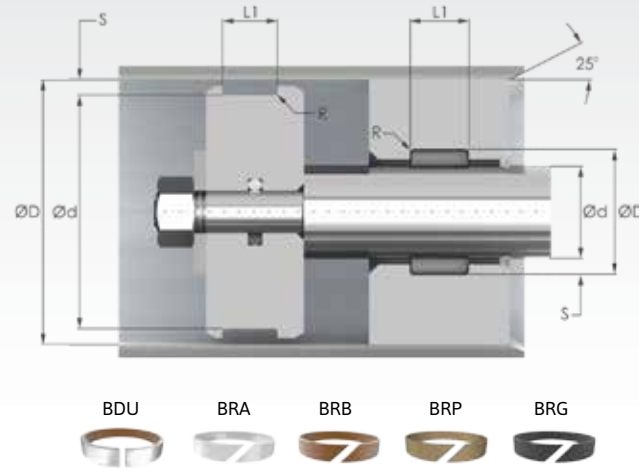
- Ideal for severe applications
- Capable of withstanding extreme side loading
- Economical bearing arrangement
- Popular in earthmoving equipment

FLUIDS

- Hydraulic fluids & petroleum fuels & oils

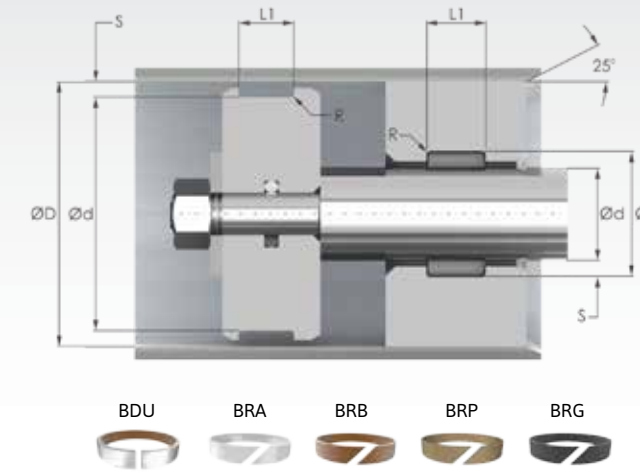
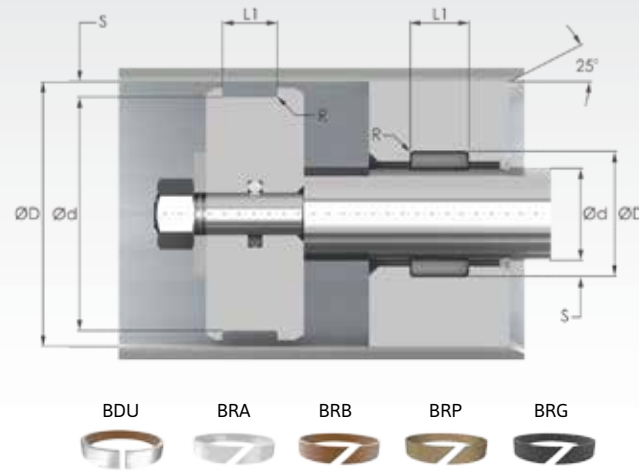


PROFILE	HOUSING DIMENSIONS				REFERENCE	ALTERNATIVE REFERENCE NUMBER
	Ød	ØD	L1	S		
BRA	12.00	16.00	9.60	2.00	BRAM012016-096	RF3250
BRA	16.00	20.00	8.00	2.00	BRAM016020-080	
BRA	16.00	20.00	9.60	2.00	BRAM016020-096	RF3251
BRA	18.00	22.00	9.60	2.00	BRAM018022-096	RF3252
BRA	20.00	24.00	9.60	2.00	BRAM020024-096	RF3253
BRA	20.00	25.00	5.60	2.50	BRAM020025-056	RF3254
BRA	20.00	25.00	9.70	2.50	BRAM020025-097	RF3255
BRA	21.00	25.00	8.00	2.00	BRAM021025-080	RF3256
BRA	21.00	25.00	9.60	2.00	BRAM021025-096	RF901A
BRA	21.00	30.00	12.00	4.50	BRAM021030-120	RF3257
BRA	22.00	26.00	9.60	2.00	BRAM022026-096	RK051A
BRA	22.00	27.00	6.30	2.50	BRAM022027-063	RF3258
BRA	25.00	29.00	9.60	2.00	BRAM025029-096	RK052A
BRA	25.00	30.00	5.60	2.50	BRAM025030-056	RF3259
BRA	25.00	31.00	10.00	3.00	BRAM025031-096	RF3261
BRA	26.00	30.00	9.60	2.00	BRAM026030-096	RF902A
BRA	26.00	32.00	10.00	3.00	BRAM026032-096	RF3262
BRA	27.00	32.00	5.60	2.50	BRAM027032-056	RF3263
BRA	28.00	32.00	9.60	2.00	BRAM028032-096	RK053A
BRA	28.00	33.00	5.60	2.50	BRAM028033-056	RF3264
BRA	28.00	33.00	6.30	2.50	BRAM028033-063	RF3265
BRA	28.00	34.00	10.00	3.00	BRAM028034-100	RK054A
BRA	30.00	34.00	9.60	2.00	BRAM030034-096	RK055A
BRA	30.00	35.00	5.60	2.50	BRAM030035-056	RF3266
BRA	30.00	35.00	9.70	2.50	BRAM030035-097	RF3267
BRA	30.00	36.00	10.00	3.00	BRAM030036-096	RF3268
BRA	30.00	40.00	6.00	5.00	BRAM030040-060	RF3269
BRA	31.00	35.00	8.00	2.00	BRAM031035-080	RF3270
BRA	31.00	35.00	9.60	2.00	BRAM031035-096	RF903A
BRA	32.00	36.00	9.60	2.00	BRAM032036-096	RF3272
BRA	32.00	37.00	5.60	2.50	BRAM032037-056	RF3273
BRA	32.00	37.00	9.70	2.50	BRAM032037-097	RF3274
BRA	32.00	38.00	10.00	3.00	BRAM032038-100	RK056A
BRA	34.00	40.00	10.00	3.00	BRAM034040-096	RF3275
BRA	35.00	39.00	9.60	2.00	BRAM035039-096	RK057A
BRA	35.00	40.00	5.60	2.50	BRAM035040-056	RF3276
BRA	35.00	40.00	6.30	2.50	BRAM035040-063	RF3277
BRA	35.00	40.00	9.70	2.50	BRAM035040-097	RF3278
BRA	35.00	41.00	9.60	3.00	BRAM035041-096	RF3279
BRA	35.00	41.00	12.70	3.00	BRAM035041-127	RF3280
BRA	35.00	45.00	12.00	5.00	BRAM035045-120	RF3281
BRA	36.00	40.00	8.00	2.00	BRAM036040-080	RF3282
BRA	36.00	40.00	9.60	2.00	BRAM036040-096	RF904A
BRA	36.00	41.00	5.60	2.50	BRAM036041-056	RF3283
BRA	36.00	41.00	6.30	2.50	BRAM036041-063	RF3284



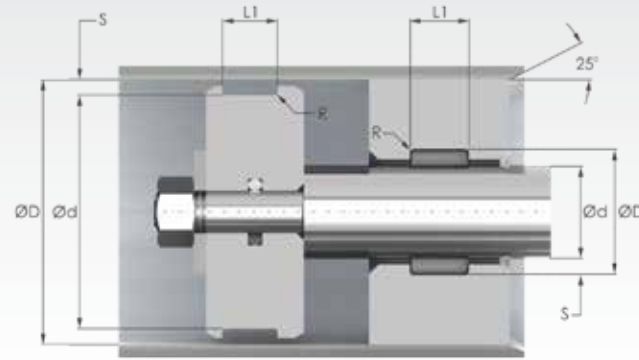
PROFILE	HOUSING DIMENSIONS				REFERENCE	ALTERNATIVE REFERENCE NUMBER
	Ød	ØD	L1	S		
BRA	36.00	41.00	9.70	2.50	BRAM036041-097	RF3285
BRA	37.00	42.00	9.70	2.50	BRAM037042-097	RF3757
BRA	38.00	42.00	9.60	2.00	BRAM038042-096	RK058A
BRA	38.00	43.00	9.70	2.50	BRAM038043-097	
BRA	38.00	43.00	10.00	2.50	BRAM038043-100	R52876
BRA	39.00	45.00	9.60	3.00	BRAM039045-096	RF3286
BRA	40.00	44.00	9.60	2.00	BRAM040044-096	RK059A
BRA	40.00	45.00	5.60	2.50	BRAM040045-056	RF3287
BRA	40.00	45.00	9.70	2.50	BRAM040045-097	RF3288
BRA	40.00	45.00	15.00	2.50	BRAM040045-150	RF3756
BRA	40.00	46.00	9.60	3.00	BRAM040046-096	RF3289
BRA	40.00	46.00	10.00	3.00	BRAM040046-100	RK060A
BRA	40.00	46.00	12.70	3.00	BRAM040046-127	RF3290
BRA	41.00	45.00	9.60	2.00	BRAM041045-096	RF3291
BRA	41.00	45.00	20.00	2.00	BRAM041045-200	RF3750
BRA	41.00	50.00	12.00	4.50	BRAM041050-120	RF3292
BRA	42.00	46.00	9.60	2.50	BRAM042046-096	RF3759
BRA	43.00	48.00	5.60	2.50	BRAM043048-096	RF3758
BRA	44.00	50.00	9.60	3.00	BRAM044050-096	RF905A
BRA	44.00	50.00	12.70	3.00	BRAM044050-127	RF3293
BRA	45.00	50.00	5.60	2.50	BRAM045050-056	R52989
BRA	45.00	50.00	9.70	2.50	BRAM045050-097	RF3294
BRA	45.00	51.00	9.60	3.00	BRAM045051-096	RK061A
BRA	45.00	55.00	15.00	5.00	BRAM045055-150	RF3295
BRA	46.00	55.00	12.00	4.50	BRAM046055-120	RF3296
BRA	46.00	55.00	15.00	4.50	BRAM046055-150	RF3297
BRA	49.00	55.00	9.60	3.00	BRAM049055-096	RF3298
BRA	49.00	55.00	13.00	3.00	BRAM049055-127	RF3299
BRA	50.00	55.00	5.60	2.50	BRAM050055-056	RF3300
BRA	50.00	55.00	9.70	2.50	BRAM050055-097	R68058
BRA	50.00	56.00	9.60	3.00	BRAM050056-096	RK062A
BRA	50.00	56.00	12.70	3.00	BRAM050056-127	RF3301
BRA	50.00	56.00	13.00	3.00	BRAM050056-130	RK063A
BRA	50.00	60.00	15.00	5.00	BRAM050060-150	RF3302
BRA	51.00	55.00	9.60	2.00	BRAM051055-096	RF3303
BRA	51.00	60.00	12.00	4.50	BRAM051060-120	RF3304
BRA	52.00	57.00	9.70	2.50	BRAM052057-097	
BRA	52.00	58.00	9.60	3.00	BRAM052058-096	RF3305
BRA	54.00	60.00	10.00	3.00	BRAM054060-096	RF3306
BRA	54.00	60.00	12.70	3.00	BRAM054060-127	RF3307
BRA	54.00	60.00	15.50	3.00	BRAM054060-155	
BRA	55.00	60.00	5.60	2.50	BRAM055060-056	RF3308
BRA	55.00	60.00	9.70	2.50	BRAM055060-097	RF3309
BRA	55.00	61.00	9.60	3.00	BRAM055061-096	RK088A
BRA	55.00	61.00	12.70	3.00	BRAM055061-127	RF3310

PROFILE	HOUSING DIMENSIONS				REFERENCE	ALTERNATIVE REFERENCE NUMBER
	Ød	ØD	L1	S		
BRA	56.00	61.00	5.60	2.50	BRAM056061-056	R69649
BRA	56.00	61.00	9.70	2.50	BRAM056061-097	RF3311
BRA	56.00	65.00	12.00	4.50	BRAM056065-120	RF3312
BRA	57.00	63.00	9.60	3.00	BRAM057063-096	RF3313
BRA	57.00	63.00	12.70	3.00	BRAM057063-127	RF3314
BRA	57.00	63.00	13.00	3.00	BRAM057063-130	RF906A
BRA	58.00	63.00	5.60	2.50	BRAM058063-056	RF3315
BRA	58.00	63.00	9.70	2.50	BRAM058063-097	RF3316
BRA	59.00	65.00	12.80	3.00	BRAM059065-128	RF907A
BRA	59.00	70.00	12.00	5.50	BRAM059070-120	RF3317
BRA	60.00	65.00	9.70	2.50	BRAM060065-097	R68059
BRA	60.00	66.00	9.60	3.00	BRAM060066-096	RF3318
BRA	60.00	66.00	12.70	3.00	BRAM060066-127	RK064A
BRA	60.00	70.00	15.00	5.00	BRAM060070-150	RF3319
BRA	61.00	66.00	9.60	2.50	BRAM061066-096	RF3320
BRA	61.00	72.00	12.00	5.50	BRAM061072-120	RF3321
BRA	63.00	68.00	9.70	2.50	BRAM063068-097	RF3322
BRA	63.00	69.00	12.80	3.00	BRAM063069-128	RK065A
BRA	64.00	70.00	9.60	3.00	BRAM064070-096	RF3323
BRA	64.00	70.00	12.80	3.00	BRAM064070-128	RF908A
BRA	65.00	70.00	5.60	2.50	BRAM065070-056	RF3324
BRA	65.00	70.00	9.70	2.50	BRAM065070-097	R85060
BRA	65.00	71.00	12.70	3.00	BRAM065071-127	RF3325
BRA	65.00	71.00	13.00	3.00	BRAM065071-130	RK066A
BRA	66.00	75.00	12.00	4.50	BRAM066075-120	RF3326
BRA	69.00	75.00	13.00	3.00	BRAM069075-127	RF3328
BRA	70.00	74.00	15.00	2.00	BRAM070074-150	RF3329
BRA	70.00	75.00	5.60	2.50	BRAM070075-056	RF3330
BRA	70.00	75.00	9.70	2.50	BRAM070075-097	R89133
BRA	70.00	76.00	12.80	3.00	BRAM070076-128	RK067A
BRA	71.00	75.00	15.00	2.00	BRAM071075-150	RF3331
BRA	71.00	80.00	12.00	4.50	BRAM071080-120	RF3332
BRA	74.00	80.00	12.80	3.00	BRAM074080-128	RF909A
BRA	75.00	80.00	9.70	2.50	BRAM075080-097	R89165
BRA	75.00	81.00	12.70	3.00	BRAM075081-127	RF3334
BRA	75.00	81.00	13.00	3.00	BRAM075081-130	RK068A
BRA	76.00	80.00	15.00	2.00	BRAM076080-150	RF3335
BRA	76.00	81.00	9.60	2.50	BRAM076081-096	RF3336
BRA	76.00	85.00	15.00	4.50	BRAM076085-150	RF3337
BRA	79.00	85.00	13.00	3.00	BRAM079085-127	RF3338
BRA	80.00	85.00	9.70	2.50	BRAM080085-097	R89008
BRA	80.00	86.00	12.70	3.00	BRAM080086-127	RF3339
BRA	80.00	86.00	12.80	3.00	BRAM080086-128	RK069A
BRA	80.00	86.00	19.20	3.00	BRAM080086-192	RF3340
BRA	81.00	90.00	12.70	4.50	BRAM081090-127	RF3341

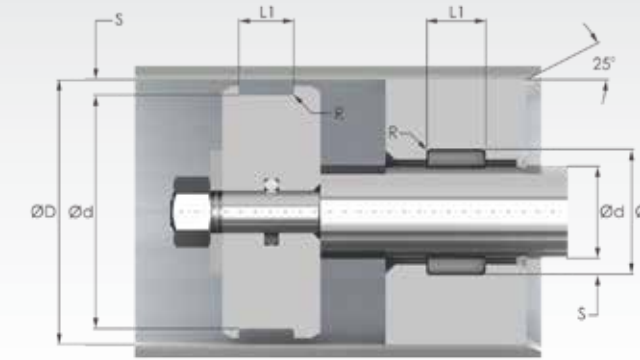


PROFILE	HOUSING DIMENSIONS				REFERENCE	ALTERNATIVE REFERENCE NUMBER
	Ød	ØD	L1	S		
BRA	84.00	90.00	10.00	3.00	BRAM084090-100	R15564
BRA	84.00	90.00	13.00	3.00	BRAM084090-127	RF3342
BRA	85.00	90.00	5.60	2.50	BRAM085090-056	
BRA	85.00	90.00	9.70	2.50	BRAM085090-097	R58589
BRA	85.00	91.00	12.70	3.00	BRAM085091-127	RF3343
BRA	86.00	90.00	15.00	2.00	BRAM086090-150	RF3345
BRA	89.00	95.00	13.00	3.00	BRAM089095-128	RF910A
BRA	90.00	95.00	2.50	2.50	BRAM090095-025	
BRA	90.00	95.00	9.70	2.50	BRAM090095-097	RF3347
BRA	90.00	96.00	12.70	3.00	BRAM090096-127	RK070A
BRA	90.00	96.00	19.20	3.00	BRAM090096-192	RF3348
BRA	90.00	96.00	19.50	3.00	BRAM090096-195	RK071A
BRA	94.00	100.00	12.80	3.00	BRAM094100-128	RF911A
BRA	95.00	100.00	2.50	2.50	BRAM095100-025	R56034
BRA	95.00	100.00	5.60	2.50	BRAM095100-056	RF3794
BRA	95.00	100.00	9.70	2.50	BRAM095100-097	RF3349
BRA	95.00	100.00	25.00	2.50	BRAM095100-250	RF3769
BRA	95.00	101.00	12.80	3.00	BRAM095101-128	RK072A
BRA	95.00	101.00	19.20	3.00	BRAM095101-192	RF3350
BRA	96.00	100.00	15.00	2.00	BRAM096100-150	RF3351
BRA	99.00	105.00	12.70	3.00	BRAM099105-127	RF3352
BRA	100.00	105.00	2.50	2.50	BRAM100105-025	RF4829
BRA	100.00	105.00	9.70	2.50	BRAM100105-097	RF3353
BRA	100.00	106.00	12.70	3.00	BRAM100106-127	RF3354
BRA	100.00	106.00	13.00	3.00	BRAM100106-130	RK073A
BRA	100.00	106.00	19.20	3.00	BRAM100106-192	RF3355
BRA	104.00	110.00	3.00	3.00	BRAM104110-030	R56013
BRA	104.00	110.00	12.80	3.00	BRAM104110-128	RF912A
BRA	105.00	110.00	2.50	2.50	BRAM105110-025	
BRA	105.00	110.00	9.70	2.50	BRAM105110-097	RF3356
BRA	109.00	115.00	3.00	3.00	BRAM109115-030	R56014
BRA	110.00	115.00	2.50	2.50	BRAM110115-025	
BRA	110.00	115.00	9.70	2.50	BRAM110115-097	RF3357
BRA	110.00	116.00	12.70	3.00	BRAM110116-127	RF3358
BRA	110.00	116.00	13.00	3.00	BRAM110116-130	RK074A
BRA	114.00	120.00	3.00	3.00	BRAM114120-030	R56015
BRA	115.00	121.00	12.80	3.00	BRAM115121-128	RK075A
BRA	119.00	125.00	3.00	3.00	BRAM119125-030	R56010
BRA	119.00	125.00	12.70	3.00	BRAM119125-127	RF3360
BRA	120.00	126.00	12.80	3.00	BRAM119125-130	
BRA	120.00	126.00	12.80	3.00	BRAM120126-128	RK076A
BRA	121.00	125.00	8.00	2.00	BRAM121125-080	
BRA	124.00	130.00	3.00	3.00	BRAM124130-030	R56011
BRA	124.00	130.00	13.00	3.00	BRAM124130-130	RF913A
BRA	125.00	131.00	12.80	3.00	BRAM125131-128	RK077A

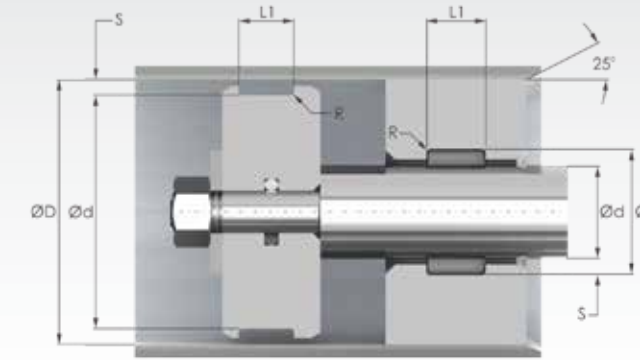
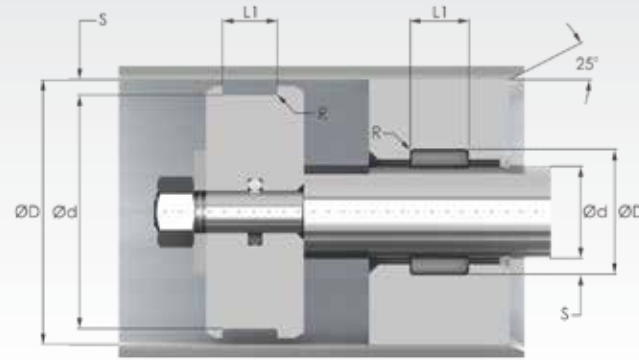
PROFILE	HOUSING DIMENSIONS				REFERENCE	ALTERNATIVE REFERENCE NUMBER
	Ød	ØD	L1	S		
BRA	129.00	135.00	3.00	3.00	BRAM129135-030	
BRA	130.00	136.00	12.80	3.00	BRAM130136-128	RK078A
BRA	134.00	140.00	3.00	3.00	BRAM134140-030	R56008
BRA	134.00	140.00	12.70	3.00	BRAM134140-127	RF3361
BRA	139.00	145.00	3.00	3.00	BRAM139145-030	
BRA	139.00	145.00	19.50	3.00	BRAM139145-192	RF3362
BRA	140.00	146.00	12.80	3.00	BRAM140146-128	RK079A
BRA	144.00	150.00	3.00	3.00	BRAM144150-030	R56009
BRA	144.00	150.00	12.70	3.00	BRAM144150-127	RF3363
BRA	149.00	155.00	19.20	3.00	BRAM149155-192	RF914A
BRA	150.00	156.00	12.80	3.00	BRAM150156-128	RK080A
BRA	153.00	160.00	15.00	3.50	BRAM153160-150	RF3779
BRA	154.00	160.00	3.00	3.00	BRAM154160-030	
BRA	154.00	160.00	19.20	3.00	BRAM154160-192	RF915A
BRA	159.00	165.00	37.40	3.00	BRAM159165-374	
BRA	160.00	166.00	19.20	3.00	BRAM160166-192	RF3364
BRA	164.00	170.00	3.00	3.00	BRAM164170-030	R56016
BRA	164.00	170.00	19.20	3.00	BRAM164170-192	RF916A
BRA	170.00	176.00	19.20	3.00	BRAM170176-192	RK081A
BRA	172.00	180.00	30.00	4.00	BRAM179171-030	R45353
BRA	174.00	180.00	3.00	3.00	BRAM174180-030	
BRA	174.00	180.00	19.20	3.00	BRAM174180-192	RF917A
BRA	174.00	180.00	46.00	3.00	BRAM174180-450	R46226
BRA	184.00	190.00	3.00	3.00	BRAM184190-030	
BRA	190.00	196.00	19.20	3.00	BRAM190196-192	RK082A
BRA	194.00	200.00	19.50	3.00	BRAM194200-195	RF918A
BRA	195.00	200.00	15.00	2.50	BRAM195200-150	
BRA	204.00	210.00	19.20	3.00	BRAM204210-192	
BRA	210.00	216.00	19.20	3.00	BRAM210216-192	RK083A
BRA	214.00	220.00	19.20	3.00	BRAM214220-192	RF3365
BRA	215.00	225.00	24.70	3.00	BRAM215225-247	
BRA	224.00	230.00	19.20	3.00	BRAM224230-192	RF919A
BRA	244.00	250.00	19.50	3.00	BRAM244250-195	RF920A
BRA	250.00	256.00	19.20	3.00	BRAM250256-192	RK084A
BRA	253.00	261.00	37.40	4.00	BRAM253261-374	
BRA	260.00	266.00	19.20	3.00	BRAM260266-192	RK085A
BRA	264.00	270.00	19.20	3.00	BRAM264270-192	RF921A
BRA	274.00	280.00	19.20	3.00	BRAM274280-192	RF922A
BRA	289.20	300.00	18.80	5.40	BRAM289300-188	
BRA	294.00	300.00	19.20	3.00	BRAM294300-192	RF923A



PART Nº	PROFILE	HOUSING DIMENSIONS				REFERENCE	ALTERNATIVE REFERENCE
		Ød	ØD	L1	S		
BRGI075100-0500	BRG	0.750	1.000	0.500	0.125	R59401	
BRAI081100-0250	BRA	0.812	1.000	0.250	0.094	R10988	100 WR/J
BRAI093112-0250	BRA	0.937	1.125	0.250	0.094	R10989	112 WR/J
BDUI100112-075	BDU	1.000	1.125	0.750	0.063		
BRGI100116-0500	BRG	1.000	1.156	0.500	0.078	R59406	
BRGI100125-0500	BRG	1.000	1.250	0.500	0.125	R59307	
BRGI100125-1000	BRG	1.000	1.250	1.000	0.125	R59305	
BRAI106125-0250	BRA	1.062	1.250	0.250	0.094	R10990	125 WR/J
BRGI115131-0500	BRG	1.156	1.312	0.500	0.078	R69600	
BRGI118153-0500	BRG	1.175	1.531	0.500	0.178	R59409	
BRAI118137-0250	BRA	1.187	1.375	0.250	0.094	R10991	137 WR/J
BRGI125141-0500	BRG	1.250	1.406	0.500	0.078	R59407	
BDUI125140-100	BDU	1.250	1.406	1.000	0.078		
BDUI125140-125	BDU	1.250	1.406	1.250	0.078	R46551	
BRGI125150-0250	BRG	1.250	1.500	0.250	0.125	R91531	
BRPI125150-0250	BRP	1.250	1.500	0.250	0.125		
BRGI125150-0375	BRG	1.250	1.500	0.375	0.125	R91532	
BRGI125150-0500	BRG	1.250	1.500	0.500	0.125	R91533	
BRGI131150-0187	BRG	1.312	1.500	0.187	0.094	R86931	
BRAI131150-0375	BRA	1.312	1.500	0.375	0.094	R10992	150 WR/J
BRGI132150-0250	BRG	1.320	1.500	0.250	0.090	R59408	
BRAI132150-0250	BRA	1.321	1.500	0.250	0.090	RJWR15	150 WR
BRGI137150-0375	BRG	1.375	1.500	0.375	0.063		
BDUI137153-100	BDU	1.375	1.530	1.000	0.078		
BRGI138163-0500	BRG	1.375	1.625	0.500	0.125	R89170	
BRGI140156-0500	BRG	1.406	1.562	0.500	0.078	R69601	
BRAI143162-0375	BRA	1.436	1.625	0.375	0.095	R10993	162 WR/J
BDUI150165-100	BDU	1.500	1.650	1.000	0.075		
BDUI150165-125	BDU	1.500	1.650	1.250	0.075	R46115	
BDUI150165-150	BDU	1.500	1.650	1.500	0.075		
BDUI150165-200	BDU	1.500	1.650	2.000	0.075		
BRGI150168-0250	BRG	1.500	1.680	0.250	0.090	R69602	
BRGI150175-0190	BRG	1.500	1.750	0.190	0.125	R91534	
BRGI150175-0375	BRG	1.500	1.750	0.375	0.125	R91535	
BRGI150175-0500	BRG	1.500	1.750	0.500	0.125	R59622	
BRGI150175-0750	BRG	1.500	1.750	0.750	0.125	R46282	
BRGI153168-0500	BRG	1.531	1.687	0.500	0.078	R69603	
BRAI156175-0375	BRA	1.561	1.750	0.375	0.095	R10994	175 WR/J
BDUI162178-150	BDU	1.625	1.780	1.500	0.078		
BRGI162187-0375	BRG	1.625	1.875	0.375	0.125	R91538	
BRGI162187-0500	BRG	1.625	1.875	0.500	0.125	R89398	
BRAI168187-0375	BRA	1.686	1.875	0.375	0.095	R10995	187 WR/J
BDUI175193-100	BDU	1.750	1.937	1.000	0.094	R46680	
BDUI175193-150	BDU	1.750	1.937	1.500	0.094		
BRGI175200-0250	BRG	1.750	2.000	0.250	0.125	R85828	

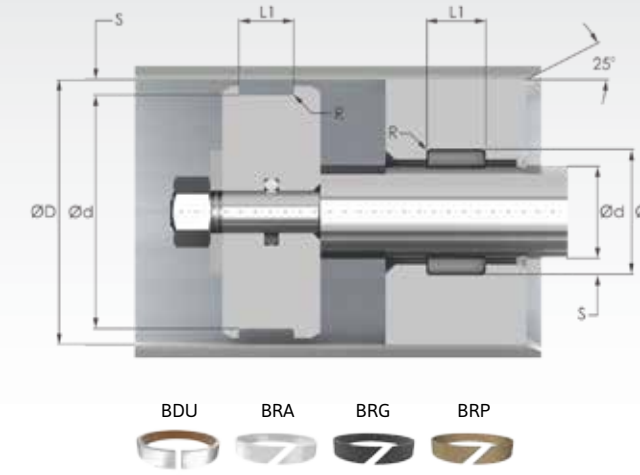
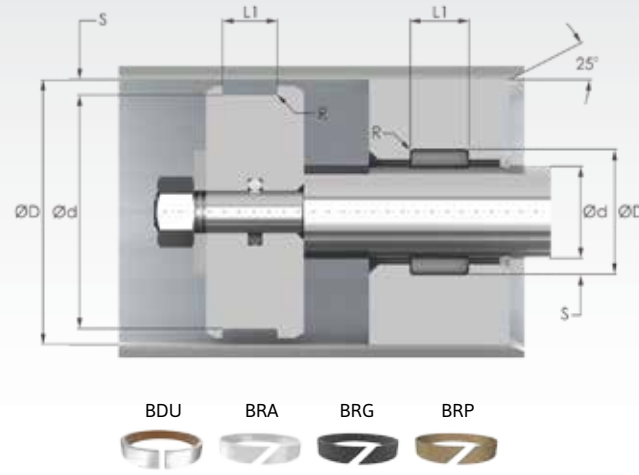


PART Nº	PROFILE	HOUSING DIMENSIONS				REFERENCE	ALTERNATIVE REFERENCE
		Ød	ØD	L1	S		
BRGI175200-0375	BRG	1.750	2.000	0.375	0.125	R52644	
BRGI175200-0500	BRG	1.750	2.000	0.500	0.125	R59295	
BRGI175200-0625	BRG	1.750	2.000	0.625	0.125	R88356	
BRGI175200-0750	BRG	1.750	2.000	0.750	0.125	R54952	
BRGI175200-1000	BRG	1.750	2.000	1.000	0.125	R45634	
BRAI181200-0375	BRA	1.812	2.000	0.375	0.094	R10996	200 WR/J
BRAI182200-0250	BRA	1.821	2.000	0.250	0.090	RJWR20	200 WR
BRGI187200-1000	BRG	1.875	2.000	1.000	0.063	R53400	
BRGI187212-0375	BRG	1.875	2.125	0.375	0.125	R91541	
BRAI193212-0375	BRA	1.936	2.125	0.375	0.095	R10997	212 WR/J
BRGI200212-0980	BRG	2.000	2.125	0.980	0.063	R45985	
BDUI200218-200	BDU	2.000	2.187	2.000	0.093		
BRGI200225-0187	BRG	2.000	2.250	0.187	0.125		
BRGI200225-0250	BRG	2.000	2.250	0.250	0.125	R85827	
BRGI200225-0312	BRG	2.000	2.250	0.312	0.125	R91543	
BRGI200225-0375	BRG	2.000	2.250	0.375	0.125	R58805	
BRGI200225-0500	BRG	2.000	2.250	0.500	0.125	R59292	
BRGI200225-0625	BRG	2.000	2.250	0.625	0.125	R91544	
BRGI200225-0750	BRG	2.000	2.250	0.750	0.125	R51608	
BRGI200225-1000	BRG	2.000	2.250	1.000	0.125	R88616	
BRAI206225-0375	BRA	2.061	2.250	0.375	0.095	R10998	225 WR/J
BRAI207225-0258	BRA	2.071	2.250	0.258	0.089	R91545	
BRGI212237-0500	BRG	2.125	2.375	0.500	0.125	R86194	
BRAI218237-0375	BRA	2.186	2.375	0.375	0.095	R10999	237 WR/J
BRAI225237-1000	BRA	2.250	2.375	1.000	0.063	R59548	
BRGI225250-0187	BRG	2.250	2.500	0.187	0.125	R91546	
BRGI225250-0250	BRG	2.250	2.500	0.250	0.125	R58542	
BRGI225250-0312	BRG	2.250	2.500	0.312	0.125	R91547	
BRGI225250-0375	BRG	2.250	2.500	0.375	0.125	R53827	
BRGI225250-0500	BRG	2.250	2.500	0.500	0.125	R59297	
BRGI225250-0625	BRG	2.250	2.500	0.625	0.125	R86335	
BRGI225250-0750	BRG	2.250	2.500	0.750	0.125	R52618	
BRGI225250-1000	BRG	2.250	2.500	1.000	0.125	R91548	
BRAI231250-0375	BRA	2.311	2.500	0.375	0.095	R11000	250 WR/J
BRAI232250-0250	BRA	2.321	2.500	0.250	0.089	RJWR25	250 WR
BRGI237262-0500	BRG	2.375	2.625	0.500	0.125	R88126	
BRGI237262-0625	BRG	2.375	2.625	0.625	0.125	R91552	
BRAI243262-0375	BRA	2.436	2.625	0.375	0.095	R11001	262 WR/J
BDUI250268-250	BDU	2.500	2.687	2.500	0.093		
BRGI250275-0250	BRG	2.500	2.750	0.250	0.125	R54259	
BRGI250275-0375	BRG	2.500	2.750	0.375	0.125	R91553	
BRGI250275-0500	BRG	2.500	2.750	0.500	0.125	R59631	
BRGI250275-0625	BRG	2.500	2.750	0.625	0.125	R86645	
BRGI250275-0750	BRG	2.500	2.750	0.750	0.125	R50351	
BRGI250275-1000	BRG	2.500	2.750	1.000	0.125	R85713	



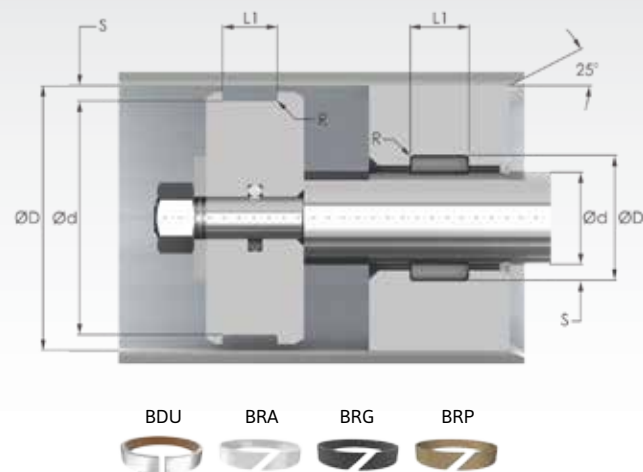
PART Nº	PROFILE	HOUSING DIMENSIONS				REFERENCE	ALTERNATIVE REFERENCE
		Ød	ØD	L1	S		
BRGI250275-1500	BRG	2.500	2.750	1.500	0.125	R59413	
BRAI252275-0258	BRA	2.524	2.750	0.258	0.113	R91554	
BRAI255275-0375	BRA	2.559	2.750	0.375	0.095	R11002	275 WR/J
BRGI263288-1500	BRG	2.625	2.875	1.500	0.125	R59424	
BRAI268287-0375	BRA	2.684	2.875	0.375	0.095	R11003	287 WR/J
BDUI275293-200	BDU	2.750	2.930	2.000	0.090	R46046	
BDUI275293-250	BDU	2.750	2.930	2.500	0.090		
BRGI275300-0250	BRG	2.750	3.000	0.250	0.125	R86139	
BRGI275300-0312	BRG	2.750	3.000	0.312	0.125	R91555	
BRGI275300-0375	BRG	2.750	3.000	0.375	0.125	R52877	
BRGI275300-0500	BRG	2.750	3.000	0.500	0.125	R54477	
BRGI275300-0625	BRG	2.750	3.000	0.625	0.125	R91556	
BRGI275300-0750	BRG	2.750	3.000	0.750	0.125	R55719	
BRGI275300-1000	BRG	2.750	3.000	1.000	0.125	R59489	
BRGI275300-1500	BRG	2.750	3.000	1.500	0.125	R59425	
BRAI277300-0250	BRA	2.774	3.000	0.250	0.113	RJWR30	300 WR
BRAI280300-0375	BRA	2.809	3.000	0.375	0.095	R11004	300 WR/J
BRGI287312-0500	BRG	2.875	3.125	0.500	0.125	R88125	
BRPI287312-1000	BRP	2.875	3.125	1.000	0.125	R59426	
BRGI287312-1500	BRG	2.875	3.125	1.500	0.125	R69605	
BRAI290310-0375	BRA	2.909	3.100	0.375	0.096	R11005	310 WR/J
BRAI293312-0375	BRA	2.934	3.125	0.375	0.095	R11006	312 WR/J
BRAI299318-0375	BRA	2.996	3.187	0.375	0.095	R11007	
BDUI300318-200	BDU	3.000	3.187	2.000	0.093		
BDUI300318-300	BDU	3.000	3.187	3.000	0.093		
BRGI300325-0250	BRG	3.000	3.250	0.250	0.125	R86253	
BRGI300325-0312	BRG	3.000	3.250	0.312	0.125	R91559	
BRGI300325-0375	BRG	3.000	3.250	0.375	0.125	R59205	
BRGI300325-0500	BRG	3.000	3.250	0.500	0.125	R59296	
BRGI300325-0625	BRG	3.000	3.250	0.625	0.125	R53011	
BRGI300325-0750	BRG	3.000	3.250	0.750	0.125	R55737	
BRGI300325-1000	BRG	3.000	3.250	1.000	0.125	R85571	
BRGI300325-1500	BRG	3.000	3.250	1.500	0.125	R69606	
BRGI300325-1550	BRG	3.000	3.250	1.550	0.125		
BRGI300350-0750	BRG	3.000	3.500	0.750	0.250	R46661	
BRAI302325-0250	BRA	3.024	3.250	0.250	0.113	R91560	325 WR
BRAI305325-0375	BRA	3.059	3.250	0.375	0.095	R11008	325 WR/J
BRGI325350-0250	BRG	3.250	3.500	0.250	0.125	R52425	
BRGI325350-0312	BRG	3.250	3.500	0.312	0.125	R91564	
BRGI325350-0375	BRG	3.250	3.500	0.375	0.125	R59302	
BRGI325350-0500	BRG	3.250	3.500	0.500	0.125	R51267	
BRGI325350-0625	BRG	3.250	3.500	0.625	0.125	R59261	
BRGI325350-0750	BRG	3.250	3.500	0.750	0.125	R59404	
BRGI325350-1000	BRG	3.250	3.500	1.000	0.125	R86802	
BRGI325350-1500	BRG	3.250	3.500	1.500	0.125	R69607	

PART Nº	PROFILE	HOUSING DIMENSIONS				REFERENCE	ALTERNATIVE REFERENCE
		Ød	ØD	L1	S		
BRAI327350-0250	BRA	3.274	3.500	0.250	0.113	RJWR35	350 WR
BRAI330350-0375	BRA	3.309	3.500	0.375	0.095	R11009	350 WR/J
BRGI337362-0500	BRG	3.375	3.625	0.500	0.125	R91567	
BRGI337362-1000	BRG	3.375	3.625	1.000	0.125	R91568	
BRAI349375-0500	BRA	3.491	3.750	0.500	0.130	R11010	375 WR/J
BDUI350368-250	BDU	3.500	3.680	2.500	0.090	R46047	
BRGI350375-0250	BRG	3.500	3.750	0.250	0.125	R91569	
BRGI350375-0375	BRG	3.500	3.750	0.375	0.125	R51607	
BRGI350375-0500	BRG	3.500	3.750	0.500	0.125	R59294	
BRGI350375-0625	BRG	3.500	3.750	0.625	0.125	R91571	
BRGI350375-0750	BRG	3.500	3.750	0.750	0.125	R52639	
BRGI350375-1000	BRG	3.500	3.750	1.000	0.125	R59417	
BRGI350375-1500	BRG	3.500	3.750	1.500	0.125	R58453	
BRAI352375-0258	BRA	3.524	3.750	0.258	0.113	R91572	
BRAI374400-0500	BRA	3.743	4.000	0.500	0.129	R11011	400 WR/J
BRGI375400-0250	BRG	3.750	4.000	0.250	0.125	R86769	
BRGI375400-0312	BRG	3.750	4.000	0.312	0.125	R91574	
BRAI375400-0375	BRG	3.750	4.000	0.375	0.125		
BRGI375400-0375	BRG	3.750	4.000	0.375	0.125	R59306	
BRGI375400-0500	BRG	3.750	4.000	0.500	0.125	R85410	
BRGI375400-0625	BRG	3.750	4.000	0.625	0.125	R85608	
BRGI375400-0750	BRG	3.750	4.000	0.750	0.125	R59387	
BRGI375400-0875	BRG	3.750	4.000	0.875	0.125		
BRGI375400-1000	BRG	3.750	4.000	1.000	0.125	R59280	
BRGI375400-1500	BRG	3.750	4.000	1.500	0.125	R59442	
BRAI377400-0250	BRA	3.773	4.000	0.250	0.114	RJWR40	400 WR
BRAI399425-0500	BRA	3.993	4.250	0.500	0.129	R11012	425 WR/J
BDUI400418-300	BDU	4.000	4.187	3.000	0.094		
BRGI400425-0250	BRG	4.000	4.250	0.250	0.125	R15725	
BRGI400425-0375	BRG	4.000	4.250	0.375	0.125	R15726	
BRGI400425-0500	BRG	4.000	4.250	0.500	0.125	R59403	
BRGI400425-0625	BRG	4.000	4.250	0.625	0.125	R52600	
BRGI400425-0750	BRG	4.000	4.250	0.750	0.125	R59324	
BRGI400425-1000	BRG	4.000	4.250	1.000	0.125	R59418	
BRGI400425-1500	BRG	4.000	4.250	1.500	0.125	R69609	
BRGI400450-1000	BRG	4.000	4.500	1.000	0.250	R46662	
BRAI402425-0250	BRA	4.024	4.250	0.250	0.113	R91578	
BRAI424450-0500	BRA	4.241	4.500	0.500	0.130	R11013	450 WR/J
BRGI425450-0375	BRG	4.250	4.500	0.375	0.125	R52423	
BRGI425450-0500	BRG	4.250	4.500	0.500	0.125	R59293	
BRGI425450-0625	BRG	4.250	4.500	0.625	0.125	R51895	
BRGI425450-0750	BRG	4.250	4.500	0.750	0.125	R59388	
BRGI425450-1000	BRG	4.250	4.500	1.000	0.125	R59298	
BRGI425450-1250	BRG	4.250	4.500	1.250	0.125	R59443	
BRGI425450-1500	BRG	4.250	4.500	1.500	0.125	R69610	

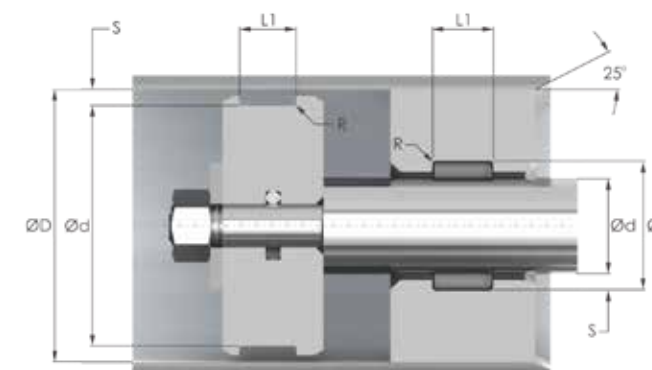


PART Nº	PROFILE	HOUSING DIMENSIONS				REFERENCE	ALTERNATIVE REFERENCE
		Ød	ØD	L1	S		
BRAI436462-0500	BRA	4.368	4.625	0.500	0.129	R11014	462 WR/J
BRAI449475-0500	BRA	4.491	4.750	0.500	0.130	R11015	475 WR/J
BRGI450475-0375	BRG	4.500	4.750	0.375	0.125	R53010	
BRGI450475-0500	BRG	4.500	4.750	0.500	0.125	R61218	
BRGI450475-0750	BRG	4.500	4.750	0.750	0.125	R86334	
BRGI450475-1000	BRG	4.500	4.750	1.000	0.125	R54342	
BRGI450475-1250	BRG	4.500	4.750	1.250	0.125	R69611	
BRGI450475-1500	BRG	4.500	4.750	1.500	0.125	R55412	
BRAI471500-0375	BRA	4.713	5.000	0.375	0.144	R91585	500 WR
BRAI474500-0500	BRA	4.741	5.000	0.500	0.130	R11016	500 WR/J
BRGI475500-0375	BRG	4.750	5.000	0.375	0.125	R59422	
BRGI475500-0500	BRG	4.750	5.000	0.500	0.125	R59301	
BRGI475500-0625	BRG	4.750	5.000	0.625	0.125	R91586	
BRGI475500-0750	BRG	4.750	5.000	0.750	0.125	R59501	
BRGI475500-1000	BRG	4.750	5.000	1.000	0.125	R52645	
BRPI475500-1125	BRP	4.750	5.000	1.125	0.125		
BRGI475500-1500	BRG	4.750	5.000	1.500	0.125	R59444	
BRAI499525-0500	BRA	4.991	5.250	0.500	0.130	R11017	525 WR/J
BDUI500518-300	BDU	5.000	5.187	3.000	0.094	R46748	
BRGI500525-0375	BRG	5.000	5.250	0.375	0.125	R69613	
BRGI500525-0500	BRG	5.000	5.250	0.500	0.125	R59536	
BRGI500525-0625	BRG	5.000	5.250	0.625	0.125	R86659	
BRGI500525-0750	BRG	5.000	5.250	0.750	0.125	R91588	
BRGI500525-1000	BRG	5.000	5.250	1.000	0.125	R54397	
BRGI500525-1500	BRG	5.000	5.250	1.500	0.125	R59445	
BRPI500525-2000T	BRP	5.000	5.250	2.000	0.125		
BRAI511537-0500	BRA	5.111	5.375	0.500	0.132	R11018	
BRAI524550-0500	BRA	5.241	5.500	0.500	0.130	R11019	550 WR/J
BRGI525550-0375	BRG	5.250	5.500	0.375	0.125	R59389	
BRGI525550-0500	BRG	5.250	5.500	0.500	0.125	R52828	
BRGI525550-0625	BRG	5.250	5.500	0.625	0.125	R86195	
BRGI525550-0750	BRG	5.250	5.500	0.750	0.125	R58993	
BRGI525550-1000	BRG	5.250	5.500	1.000	0.125	R58992	
BRGI525550-1500	BRG	5.250	5.500	1.500	0.125	R69615	
BRAI549575-0500	BRA	5.491	5.750	0.500	0.130	R11020	575 WR/J
BRGI550575-0500	BRG	5.500	5.750	0.500	0.125	R59402	
BRGI550575-0750	BRG	5.500	5.750	0.750	0.125	R86082	
BRGI550575-1000	BRG	5.500	5.750	1.000	0.125	R55409	
BRGI550575-1500	BRG	5.500	5.750	1.500	0.125	R55416	
BRGI562587-0750	BRG	5.625	5.875	0.750	0.125	R46227	
BRAI571600-0375	BRA	5.713	6.000	0.375	0.144	R91591	600 WR
BRAI574600-0500	BRA	5.741	6.000	0.500	0.130	R11021	600 WR/J
BRGI575600-0375	BRG	5.750	6.000	0.375	0.125	R46399	
BRPI575600-0375	BRP	5.750	6.000	0.375	0.125	R85729	
BRGI575600-0500	BRG	5.750	6.000	0.500	0.125	R59331	

PART Nº	PROFILE	HOUSING DIMENSIONS				REFERENCE	ALTERNATIVE REFERENCE
		Ød	ØD	L1	S		
BRGI575600-0625	BRG	5.750	6.000	0.625	0.125	R85913	
BRGI575600-0750	BRG	5.750	6.000	0.750	0.125	R59390	
BRGI575600-1000	BRG	5.750	6.000	1.000	0.125	R55408	
BRGI575600-1500	BRG	5.750	6.000	1.500	0.125	R52766	
BRGI600625-0500	BRG	6.000	6.250	0.500	0.125	R89052	
BRGI600625-0625	BRG	6.000	6.250	0.625	0.125	R91592	
BRGI600625-0750	BRG	6.000	6.250	0.750	0.125	R91593	
BRGI600625-1000	BRG	6.000	6.250	1.000	0.125	R89547	
BRGI600625-1250	BRG	6.000	6.250	1.250	0.125	R10986	
BRGI600625-1500	BRG	6.000	6.250	1.500	0.125	R68060	
BRGI625650-0375	BRG	6.250	6.500	0.375	0.125	R89343	
BRGI625650-0500	BRG	6.250	6.500	0.500	0.125	R91594	
BRGI625650-0750	BRG	6.250	6.500	0.750	0.125	R91595	
BRGI625650-1000	BRG	6.250	6.500	1.000	0.125	R91596	
BRGI625650-1500	BRG	6.250	6.500	1.500	0.125	R88389	
BRAI649675-0500	BRA	6.491	6.750	0.500	0.130	R11022	
BRPI650675-0500	BRP	6.500	6.750	0.500	0.125	R91597	
BRGI650675-0750	BRG	6.500	6.750	0.750	0.125	R69619	
BRGI650675-1000	BRG	6.500	6.750	1.000	0.125	R59419	
BRAI674700-0500	BRA	6.741	7.000	0.500	0.130	R11023	
BRPI675700-0375	BRP	6.750	7.000	0.375	0.125	R91598	
BRGI675700-0500	BRG	6.750	7.000	0.500	0.125	R52592	
BRGI675700-0625	BRG	6.750	7.000	0.625	0.125	R91599	
BRGI675700-0750	BRG	6.750	7.000	0.750	0.125	R91600	
BRGI675700-1000	BRG	6.750	7.000	1.000	0.125	R54159	
BRGI675700-1500	BRG	6.750	7.000	1.500	0.125	R55417	
BRGI700725-0500	BRG	7.000	7.250	0.500	0.125	R87000	
BRGI700725-0750	BRG	7.000	7.250	0.750	0.125	R88266	
BRGI700725-1000	BRG	7.000	7.250	1.000	0.125	R91601	
BRGI700725-1500	BRG	7.000	7.250	1.500	0.125	R69620	
BRGI725750-0500	BRG	7.250	7.500	0.500	0.125	R91602	
BRGI725750-0750	BRG	7.250	7.500	0.750	0.125	R86801	
BRGI725750-1000	BRG	7.250	7.500	1.000	0.125	R51364	
BRGI725750-1500	BRG	7.250	7.500	1.500	0.125	R59446	
BRAI749775-0500	BRA	7.491	7.750	0.500	0.130	R11024	
BRGI750775-0500	BRG	7.500	7.750	0.500	0.125	R85769	
BRGI750775-0750	BRG	7.500	7.750	0.750	0.125	R69621	
BRGI750775-1000	BRG	7.500	7.750	1.000	0.125	R59420	
BRGI750775-1500	BRG	7.500	7.750	1.500	0.125	R69622	
BRAI775800-500	BRA	7.741	8.000	0.500	0.130	R11261	
BRGI775800-0500	BRG	7.750	8.000	0.500	0.125	R11280	
BRGI775800-0625	BRG	7.750	8.000	0.625	0.125	R46669	
BRGI775800-0750	BRG	7.750	8.000	0.750	0.125	R54394	
BRGI775800-1000	BRG	7.750	8.000	1.000	0.125	R54341	
BRGI775800-1500	BRG	7.750	8.000	1.500	0.125	R55121	



PART Nº	PROFILE	HOUSING DIMENSIONS				REFERENCE	ALTERNATIVE REFERENCE
		Ød	ØD	L1	S		
BRAI799825-0500	BRA	7.991	8.250	0.500	0.130	R11025	
BRGI800825-0500	BRG	8.000	8.250	0.500	0.125	R69623	
BRGI800825-0750	BRG	8.000	8.250	0.750	0.125	R69624	
BRGI800825-1000	BRG	8.000	8.250	1.000	0.125	R91603	
BRGI800825-1250	BRG	8.000	8.250	1.250	0.125	R55752	
BRGI800825-1500	BRG	8.000	8.250	1.500	0.125	R45643	
BRGI825850-0500	BRG	8.250	8.500	0.500	0.125	R55560	
BRGI825850-1000	BRG	8.250	8.500	1.000	0.125	R55561	
BRGI825850-1250	BRG	8.250	8.500	1.250	0.125	R69625	
BRGI825850-1500	BRG	8.250	8.500	1.500	0.125	R59447	
BRGI850875-0500	BRG	8.500	8.750	0.500	0.125	R69627	
BRGI850875-1000	BRG	8.500	8.750	1.000	0.125	R59421	
BRGI850875-1500	BRG	8.500	8.750	1.500	0.125	R69628	
BRGI850875-2000	BRG	8.500	8.750	2.000	0.125		
BRAI874900-0500	BRA	8.741	9.000	0.500	0.130	R11026	
BRGI875900-0500	BRG	8.750	9.000	0.500	0.125	R59449	
BRGI875900-1000	BRG	8.750	9.000	1.000	0.125	R59997	
BRGI875900-1500	BRG	8.750	9.000	1.500	0.125	R59450	
BRGI900925-0500	BRG	9.000	9.250	0.500	0.125	R69629	
BRGI900925-1000	BRG	9.000	9.250	1.000	0.125	R59423	
BRGI900925-1500	BRG	9.000	9.250	1.500	0.125	R69630	
BRGI925950-1000	BRG	9.250	9.500	1.000	0.125	R63207	
BRAI949975-0500	BRA	9.491	9.750	0.500	0.130	R11027	
BRGI9751000-0500	BRG	9.750	10.000	0.500	0.125	R59451	
BRGI9751000-1000	BRG	9.750	10.000	1.000	0.125	R59588	
BRGI9751000-1500	BRG	9.750	10.000	1.500	0.125	R59461	
BRGI10001025-100	BRG	10.000	10.250	1.000	0.125	R46274	
BRGI10251050-100	BRG	10.250	10.500	1.000	0.125	R91606	
BRGI10501075-300	BRG	10.500	10.750	3.000	0.125		
BRAI10741100-500	BRA	10.741	11.000	0.500	0.130	R11028	
BRGI10751100-100	BRG	10.750	11.000	1.000	0.125	R86408	
BRGI11001125-100	BRG	11.000	11.250	1.250	0.125	R10987	
BRAI11741200-500	BRA	11.741	12.000	0.500	0.130	R11029	
BRGI11751200-100	BRG	11.750	12.000	1.000	0.125	R59998	
BRGI11751200-150	BRG	11.750	12.000	1.500	0.125	R59462	
BRGI12001225-150	BRG	12.000	12.250	1.500	0.125	R69633	
BRGI13751400-100	BRG	13.750	14.000	1.000	0.125		
BDUI14001425-965	BDU	14.000	14.250	9.650	0.125		



DESIGN

- Thermoplastic bearing strip exhibits good abrasion resistance
- Medium to High compressive strength
- Used in conjunction with most seals

MATERIAL

- Thermoplastic Bearing Strip

APPLICATION

- Ideal for medium duty, general hydraulic applications
- Economical bearing arrangement

FLUIDS

- Hydraulic fluids, petroleum fuels and oils.

PLEASE NOTE: Bearing Strip is sold in per/metre quantities with a minimum order of 1m.

TECHNICAL SPECIFICATIONS

SPECIFIED TOLERANCES				
	ØD	Ød	L1	Rmax
ROD	+0.05 (+0.002) -0.00 (-0.000)	h9	+0.20 (+ 0.008) -0.00 (-0.000)	+0.40 (+ 0.016)
PISTON	H9	+0.00 (+0.000) -0.05 (-0.002)	+0.20 (+0.008) -0.00 (-0.000)	+0.40 (+ 0.016)

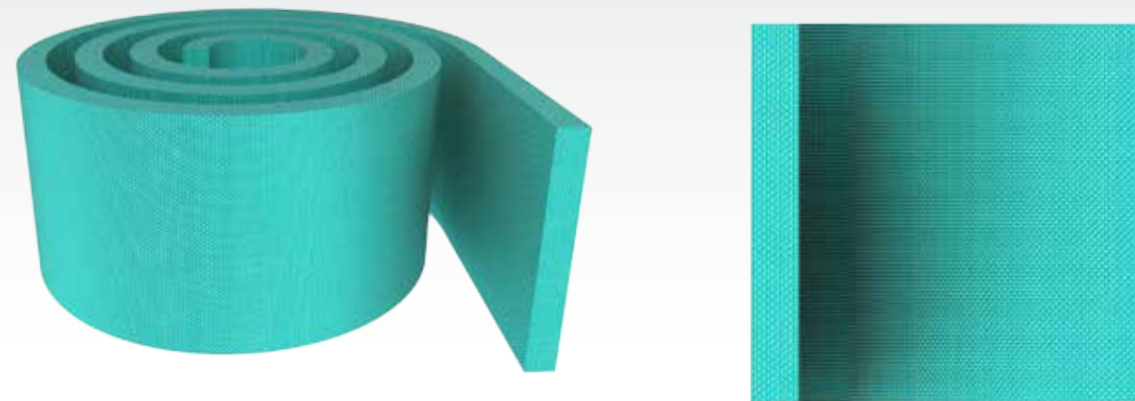
WIDTH OF BEARING SPLIT			
Ød / ØD	WIDTH OF SPLIT	Ød / ØD	WIDTH OF SPLIT
<50mm	1.50 to 3.00	5.0 m/sec	0.060 to 0.120
<120mm	3.5 to 5.00	<2"	0.140 to 0.190
<250mm	7.25 to 9.00	<5"	0.290 to 0.350
>= 250mm	4.5% of Ød / ØD	<10"	4.5% of Ød / ØD
0.10	300	0.004	4500
0.05	400	0.002	6000

MAXIMUM OPERATING CONDITIONS		
Temp °C	Pressure	Speed
- 30° to + 110° C	300 bar (4500 psi)	0.5 m/sec (15.0 ft/sec)

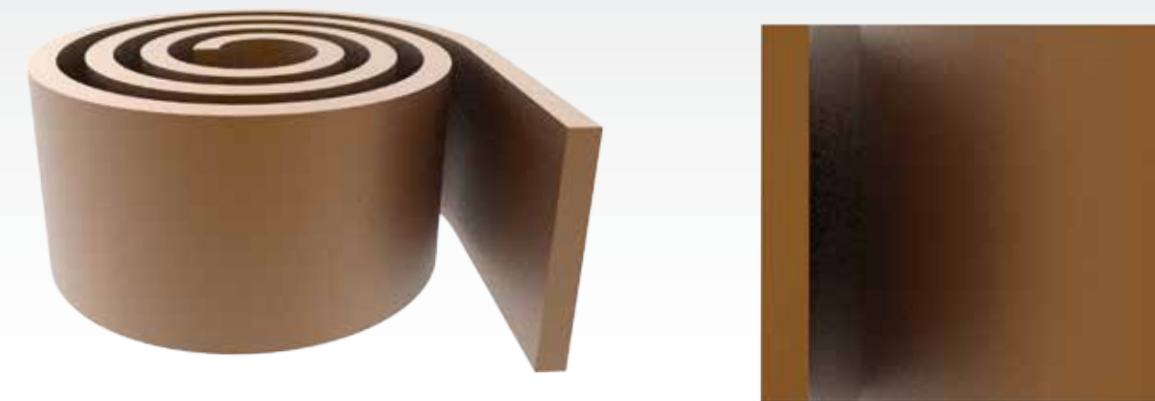
SURFACE FINISH	
DYNAMIC SEALING SURFACE	0.4 µm Ra
STATIC SEALING SURFACE, FACE	3.2 µm Ra

PLEASE NOTE: Bearing Strip is sold in per/metre quantities with a minimum order of 1m.

BRS



BFW



TECHNICAL SPECIFICATIONS

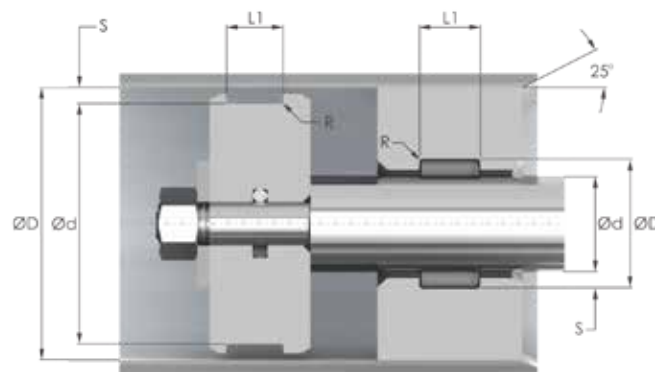
SPECIFIED TOLERANCES				
	ØD	Ød	L1	Rmax
ROD	+0.05 (+0.002) -0.00 (-0.000)	h9	+0.20 (+0.008) -0.00 (-0.000)	+0.40 (+0.016)
PISTON	H9	+0.00 (+0.000) -0.05 (-0.002)	+0.20 (+0.008) -0.00 (-0.000)	+0.40 (+0.016)

WIDTH OF BEARING SPLIT			
Ød / ØD	WIDTH OF SPLIT	Ød / ØD	WIDTH OF SPLIT
<50mm	1.50 to 3.00	5.0 m/sec	0.060 to 0.120
<120mm	3.5 to 5.00	<2"	0.140 to 0.190
<250mm	7.25 to 9.00	<5"	0.290 to 0.350
>= 250mm	4.5% of Ød / ØD	<10"	4.5% of Ød / ØD
0.10	300	0.004	4500
0.05	400	0.002	6000

MAXIMUM OPERATING CONDITIONS		
Temp °C	Pressure	Speed
- 50° to + 200° C	300 bar (4500 psi)	5.0 m/sec (15.0 ft/sec)

SURFACE FINISH	
DYNAMIC SEALING SURFACE	0.4 µm Ra
STATIC SEALING SURFACE, FACE	3.2 µm Ra

PLEASE NOTE: Bearing Strip is sold in per/metre quantities with a minimum order of 1m.



DESIGN

- Function serves to ensure piston is kept centre in bore to maintain even wear and pressure distribution across the seal.
- Woven polyester resin materials is extremely durable and hardwearing.
- Able to withstand extreme side-loads whilst still preventing contact between the bore and rod or piston.
- Suitable for both rod and piston applications.

MATERIAL

- Woven Polyester filled resin, turquoise in colour.
- Design of material allows lubricating fluid to get trapped in the pore spaces and assist in lubricating the mating surfaces.

APPLICATION

- Suitable in applications where high friction is present and extreme side-loads may occur.
- Popular in mining applications and other heavy duty and extreme environments.

FLUIDS

- Hydraulic fluids, petroleum fuels and oils.

TECHNICAL SPECIFICATIONS

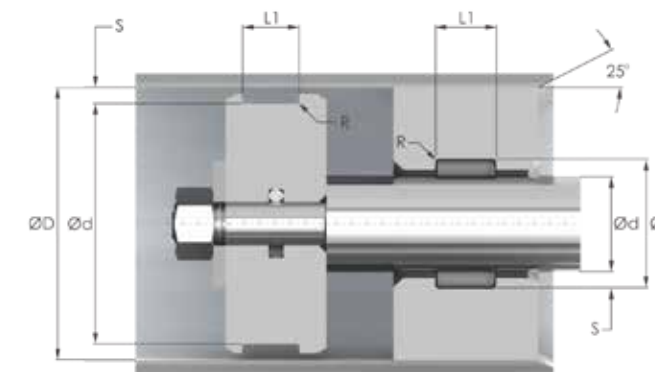
SPECIFIED TOLERANCES				
	ØD	Ød	L1	Rmax
ROD	+0.05 (+0.002) -0.00 (-0.000)	h9	+0.20 (+0.008) -0.00 (-0.000)	+0.40 (+0.016)
PISTON	H9	+0.00 (+0.000) -0.05 (-0.002)	+0.20 (+0.008) -0.00 (-0.000)	+0.40 (+0.016)

WIDTH OF BEARING SPLIT			
Ød / ØD	WIDTH OF SPLIT	Ød / ØD	WIDTH OF SPLIT
<50mm	1.50 to 3.00	5.0 m/sec	0.060 to 0.120
<120mm	3.5 to 5.00	<2"	0.140 to 0.190
<250mm	7.25 to 9.00	<5"	0.290 to 0.350
>= 250mm	4.5% of Ød / ØD	<10"	4.5% of Ød / ØD
0.10	300	0.004	4500
0.05	400	0.002	6000

MAXIMUM OPERATING CONDITIONS		
Temp °C	Pressure	Speed
- 50° to + 200° C	300 bar (4500 psi)	5.0 m/sec (15.0 ft/sec)

SURFACE FINISH	
DYNAMIC SEALING SURFACE	0.4 µm Ra
STATIC SEALING SURFACE, FACE	3.2 µm Ra

PLEASE NOTE: Bearing Strip is sold in per/metre quantities with a minimum order of 1m.



DESIGN

- Filled PTFE bearing strip exhibits low friction
- Low to medium compressive strength

MATERIAL

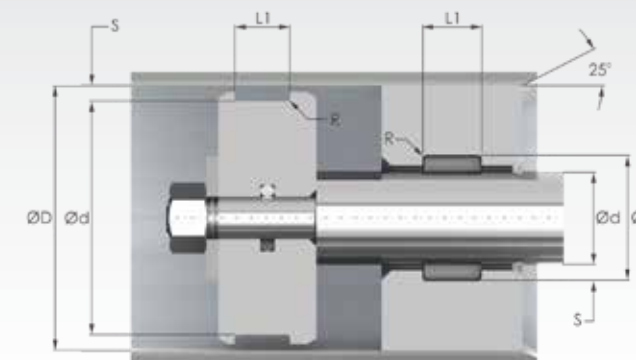
- Bronze Filled PTFE

APPLICATION

- Eliminates stick-slip between moving parts
- Used in pneumatic, hydraulic, swivel and slow rotary applications
- Cut to any size
- Used in high temperature applications

FLUIDS

- Mineral based oils, water/glycol and water emulsions



TECHNICAL SPECIFICATIONS

SPECIFIED TOLERANCES

	ØD	Ød	L1	Rmax
ROD	+0.05 (+0.002)	h9	+0.20 (+ 0.008)	+0.40 (+ 0.016)
	-0.00 (-0.000)		-0.00 (-0.000)	
PISTON	H9	+0.00 (+0.000)	+0.20 (+0.008)	+0.40 (+ 0.016)
		-0.05 (-0.002)	-0.00 (-0.000)	

WIDTH OF BEARING SPLIT

Ød / ØD	WIDTH OF SPLIT	Ød / ØD	WIDTH OF SPLIT
<50mm	1.50 to 3.00	5.0 m/sec	0.060 to 0.120
<120mm	3.5 to 5.00	<2"	0.140 to 0.190
<250mm	7.25 to 9.00	<5"	0.290 to 0.350
>= 250mm	4.5% of Ød / ØD	<10"	4.5% of Ød / ØD
0.10	300	0.004	4500
0.05	400	0.002	6000

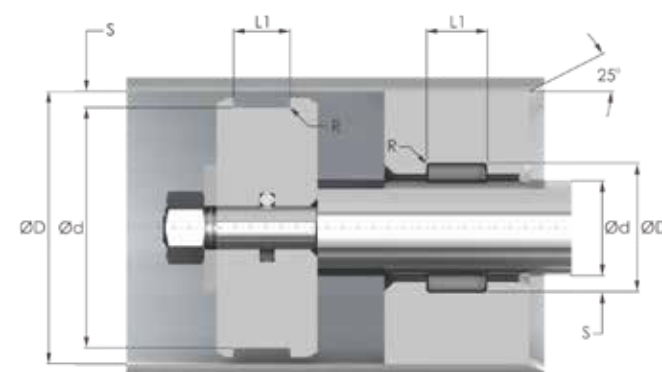
MAXIMUM OPERATING CONDITIONS

Temp °C	Pressure	Speed
- 50° to + 200° C	300 bar (4500 psi)	5.0 m/sec (15.0 ft/sec)

SURFACE FINISH

DYNAMIC SEALING SURFACE	0.4 µm Ra
STATIC SEALING SURFACE, FACE	3.2 µm Ra

PLEASE NOTE: Bearing Strip is sold in per/metre quantities with a minimum order of 1m.



DESIGN

- Function serves to ensure piston is kept centre in bore to maintain even wear and pressure distribution across the seal.
- Carbon Filled PTFE offers good extrusion resistance and is suitable for tight tolerance applications.
- Ideal in high temperature applications.
Resistant to stick-slip between piston and cylinder bore.

MATERIAL

- Carbon Filled PTFE

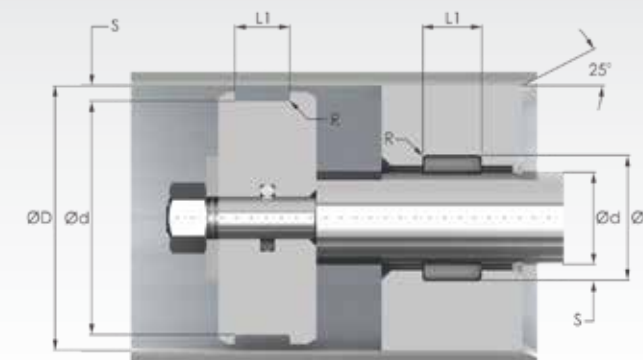
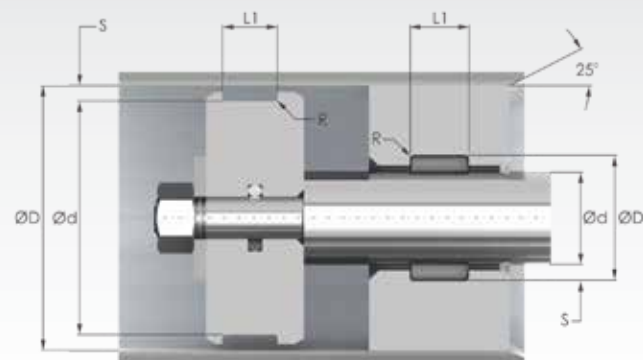
APPLICATION

- Suitable applications where high friction and high temperatures may be present.

FLUIDS

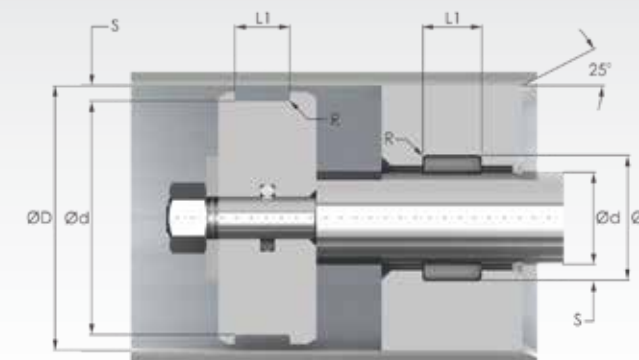
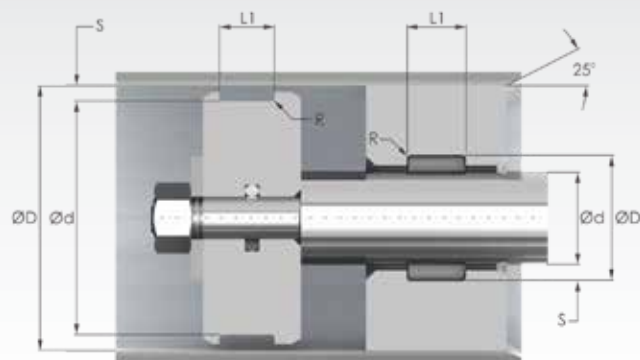
- Hydraulic fluids, petroleum fuels and oils.

SORT CODE	HOUSING DIMENSIONS				REFERENCE	ALTERNATIVE REFERENCE NUMBER
	ØD	ØD	L1	S		
BFW	6.00	8.00	L1	S	BFWM1500230	
BFW	7.00	9.00	2.30	1.50	BFWM1500378	
BFW	8.00	10.00	3.78	1.50	BFWM1550400	RF4750
BFW	10.00	12.00	4.00	1.55	BFWM2500400	
BFW	12.00	16.00	4.00	2.50	CFWM1500500	RF3250
BFW	16.00	18.00	5.00	1.50	BFSM2000550T	RF3752
CFW	16.00	18.00	5.50	2.00	BFSM2500550T	RF3753
CFW	16.00	20.00	5.50	2.50	BFSM3000550T	
CFW	16.00	20.00	5.50	3.00	BFSM3170550T	RF3251
CFW	18.00	22.00	5.50	3.17	BFSM3500550T	RF3252
BFW	20.00	23.00	5.50	3.50	BFSM4000550T	RAA062
CFW	20.00	23.00	5.50	4.00	BFWM1500560	
BFW	20.00	23.00	5.60	1.50	BFWM2000560	
BFW	20.00	24.00	5.60	2.00	BFWM2500560	RF3253
BFW	20.00	25.00	5.60	2.50	BFSM2500560	RF3254
BFW	20.00	25.00	5.60	2.50	BFSM2500560-2	RF3375
BFW	20.00	25.00	5.60	2.50	BFSM2500560-1	RF3255
BFW	20.00	26.00	5.60	2.50	CFWM2000600	R69634
BFW	21.00	25.00	6.00	2.00	BFWM2500600	RF3256
BFW	21.00	25.00	6.00	2.50	CFWM4000600	RF901A
BFW	21.00	30.00	6.00	4.00	BFWM4000610	RF3257
BFW	22.00	25.00	6.10	4.00	BFSM2500630	
BRS	22.00	25.00	6.30	2.50	BFWM2500630	RF2844
BRS	22.00	26.00	6.30	2.50	BFSM2500630T	RK051A
BRS	22.00	27.00	6.30	2.50	BFWM4000790	RF3376
BRS	22.00	27.00	7.90	4.00	BFWM1500800	RF3258
BRS	25.00	28.00	8.00	1.50	BFWM2000800	
BRS	25.00	28.00	8.00	2.00	BFWM2500800	
BRS	25.00	28.00	8.00	2.50	CFWM4000800	RF3200
BRS	25.00	28.00	8.00	4.00	BFWM4000810	
BRS	25.00	29.00	8.10	4.00	CFWM1500960	RK052A
BRS	25.00	29.00	9.60	1.50	BFWM2000960	RF3793
BRS	25.00	30.00	9.60	2.00	CFWM3000960	RF3259
BRS	25.00	30.00	9.60	3.00	BFWM4000960	RF3377
BRS	25.00	30.00	9.60	4.00	BFSM2000970T	RF3378
BRS	25.00	31.00	9.70	2.00	BFWM2500970	RF3261
BRS	26.00	30.00	9.70	2.50	BFSM2500970-1	RF902A
BFW	26.00	32.00	9.70	2.50	BFSM2500970	RF3262
BFW	27.00	32.00	9.70	2.50	BFSM2500970T	RF3263
BFW	27.00	32.00	9.70	2.50	BFWM3000970	RF3379
BFW	28.00	32.00	9.70	3.00	BFSM3000970T	RK053A
BFW	28.00	33.00	9.70	3.00	BFSM3170970T	RF3264
BFW	28.00	33.00	9.70	3.17	BFSM3500970T	RF3380
BFW	28.00	33.00	9.70	3.50	BFWM4000970	RF3265
BFW	28.00	34.00	9.70	4.00	BFSM4000970T	RK054A



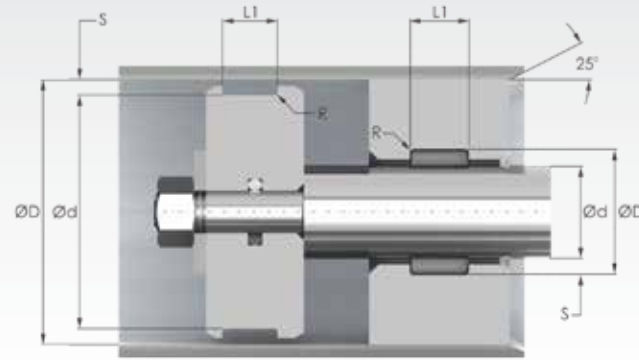
SORT CODE	HOUSING DIMENSIONS				REFERENCE	ALTERNATIVE REFERENCE NUMBER
	ØD	ØD	L1	S		
BFW	29.00	35.00	9.70	4.00	BFWM1501000	R69635
BFW	30.00	34.00	10.00	1.50	CFWM1501000	RK055A
BRS	30.00	34.00	10.00	1.50	BFWM2001000	RF3776
BRS	30.00	34.00	10.00	2.00	BFWM2001200	RF3201
BRS	30.00	34.00	12.00	2.00	BRSM2001200T	
BFW	30.00	35.00	12.00	2.00	BFWM2501200	RF3266
BFW	30.00	35.00	12.00	2.50	BRSM2501200T	RF3381
BRS	30.00	35.00	12.00	2.50	BFWM3001200	RF3267
CFW	30.00	35.00	12.00	3.00	CFWM3001200	RF3382
CFW	30.00	36.00	12.00	3.00	BRSM3001200T	RF3268
CFW	30.00	40.00	12.00	3.00	BRSM3171200T	RF3269
BRS	31.00	35.00	12.00	3.17	BRSM3501200T	RF3270
BRS	31.00	35.00	12.00	3.50	BFWM4001200	RF903A
BRS	32.00	35.00	12.00	4.00	BRSM4001200T	R46250
BRS	32.00	36.00	12.00	4.00	CFWM3001240	RF3272
BRS	32.00	36.00	12.40	3.00	BFWM2501270	RF2854
BRS	32.00	36.00	12.70	2.50	BRSM2001280T	RF3807
BRS	32.00	36.00	12.80	2.00	BFWM2501280	
BRS	32.00	36.00	12.80	2.50	BRSM2501280T	RF3786
BRS	32.00	37.00	12.80	2.50	BFWM3001280	RF3273
BRS	32.00	37.00	12.80	3.00	BRSM3001280T	RF3383
BRS	32.00	37.00	12.80	3.00	BRSM3171280T	
BFW	32.00	37.00	12.80	3.17	BRSM3501280T	RF3274
BRS	32.00	38.00	12.80	3.50	BRSM4001280T	RK056A
BRS	34.00	40.00	12.80	4.00	BRSM2501300	RF3275
BRS	35.00	39.00	13.00	2.50	BRSM2501300-1	RK057A
BRS	35.00	39.00	13.00	2.50	BFWM4001300	
BRS	35.00	39.00	13.00	4.00	CFWM2501400	RF3813
BRS	35.00	39.00	14.00	2.50	BFWM2001500	RF3764
BRS	35.00	39.00	15.00	2.00	BRSM2001500T	RF3202
BRS	35.00	39.00	15.00	2.00	BFWM2501500	RF3788
BRS	35.00	40.00	15.00	2.50	BRSM2501500	R69636
BRS	35.00	40.00	15.00	2.50	CFWM2501500	RF3276
BRS	35.00	40.00	15.00	2.50	BRSM2501500-2	R69637
BRS	35.00	40.00	15.00	2.50	BRSM2501500-1	RF3384
BRS	35.00	40.00	15.00	2.50	BRSM2501500T	RF3277
CFW	35.00	40.00	15.00	2.50	BFWM3001500	RF3278
BFW	35.00	40.00	15.00	3.00	BRSM3001500T	RF3385
BFW	35.00	41.00	15.00	3.00	BRSM3171500T	RF3279
BFW	35.00	41.00	15.00	3.17	BRSM3501500T	RF3280
BFW	35.00	45.00	15.00	3.50	BFWM4001500	RF3281
BFW	36.00	40.00	15.00	4.00	CFWM4001500	RF3282
BFW	36.00	40.00	15.00	4.00	BRSM4001500T	RF904A
BFW	36.00	41.00	15.00	4.00	BRSM3171580T	RF3283
BFW	36.00	41.00	15.80	3.17	BFWM2001920	RF3386

SORT CODE	HOUSING DIMENSIONS				REFERENCE	ALTERNATIVE REFERENCE NUMBER
	ØD	ØD	L1	S		
BFW	36.00	41.00	19.20	2.00	BRSM2001920T	RF3284
CFW	36.00	41.00	19.20	2.00	BRSM2501920T	RF3285
CFW	36.00	41.00	19.20	2.50	BFWM3001920	RF3387
CFW	36.00	42.00	19.20	3.00	CFWM3001920	R69639
BRS	37.00	42.00	19.20	3.00	BRSM3001920T	RF3757
BRS	38.00	41.00	19.20	3.00	BRSM3171920T	R69638
BRS	38.00	42.00	19.20	3.17	BRSM3501920T	RK058A
BRS	38.00	43.00	19.20	3.50	BRSM4001920T	
BRS	38.00	43.00	19.20	4.00	BRSM2001950T	
BRS	38.00	43.00	19.50	2.00	BRSM2501950T	R52876
BRS	39.00	45.00	19.50	2.50	BRSM3001950T	RF3286
BRS	40.00	44.00	19.50	3.00	BRSM3171950T	RK059A
BRS	40.00	44.00	19.50	3.17	BRSM3501950T	RF3787
BRS	40.00	44.00	19.50	3.50	BRSM4001950T	
BRS	40.00	44.00	19.50	4.00	BFWM1502000	RF3702
BRS	40.00	44.00	20.00	1.50	BFWM2002000	RF3203
BRS	40.00	44.00	20.00	2.00	BRSM2002000T	
BRS	40.00	44.00	20.00	2.00	BFWM2502000	RF3785
BRS	40.00	44.00	20.00	2.50	BRSM2502000	RF3801
BRS	40.00	45.00	20.00	2.50	CFWM2502000	RF3287
BRS	40.00	45.00	20.00	2.50	BRSM2502000-1	RF3388
BRS	40.00	45.00	20.00	2.50	BRSM2502000T	RF3288
BRS	40.00	45.00	20.00	2.50	BFWM3002000	RF3389
BRS	40.00	45.00	20.00	3.00	BRSM3002000T	RF3756
BRS	40.00	46.00	20.00	3.00	BRSM3172000T	RF3289
BRS	40.00	46.00	20.00	3.17	BRSM3502000T	RK060A
BRS	40.00	46.00	20.00	3.50	BRSM4002000T	RF3290
BRS	41.00	45.00	20.00	4.00	CFWM1502500	RF3291
BRS	41.00	45.00	25.00	1.50	BFWM2002500	RF3750
BRS	41.00	50.00	25.00	2.00	BRSM2002500T	RF3292
BRS	42.00	46.00	25.00	2.00	BFWM2502500	RF3759
BRS	42.00	47.00	25.00	2.50	BRSM2502500T	RF3390
BRS	43.00	48.00	25.00	2.50	BRSM2502500-3	RF3758
BRS	44.00	50.00	25.00	2.50	BRSM2502500-2	RF905A
BRS	44.00	50.00	25.00	2.50	BFWM3002500	RF3293
BRS	44.00	50.00	25.00	3.00	BFWM3002500/1	R46371
BRS	45.00	50.00	25.00	3.00	BRSM3002500T	R52989
BRS	45.00	50.00	25.00	3.00	BRSM3172500T	R69640
BRS	45.00	50.00	25.00	3.17	BRSM3502500T	
BRS	45.00	50.00	25.00	3.50	BFWM4002500	RF3294
BRS	45.00	50.00	25.00	4.00	BRSM4002500T	R69641
BRS	45.00	50.00	25.00	4.00	BRSM2003000T	
BRS	45.00	50.00	30.00	2.00	BFWM2503000	
BRS	45.00	50.00	30.00	2.50	BRSM2503000T	R69642
BRS	45.00	50.00	30.00	2.50	BRSM3003000T	RF3391

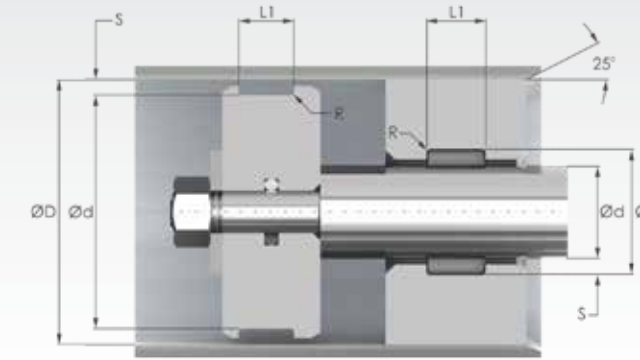


SORT CODE	HOUSING DIMENSIONS				REFERENCE	ALTERNATIVE REFERENCE NUMBER
	ØD	ØD	L1	S		
BRS	45.00	50.00	30.00	3.00	BRSM3173000T	RF3444
BRS	45.00	50.00	30.00	3.17	BRSM3503000T	R45305
BRS	45.00	50.00	30.00	3.50	BFWM4003000	
BFW	45.00	50.00	30.00	4.00	BRSM4003000T	RF4767
BFW	45.00	50.00	30.00	4.00	BRSM2003500T	RF3204
BFW	45.00	50.00	35.00	2.00	BRSM2503500T	
BFW	45.00	50.00	35.00	2.50	BRSM3003500T	RF3205
BFW	45.00	51.00	35.00	3.00	BRSM3173500T	RK061A
BFW	45.00	51.00	35.00	3.17	BRSM3503500T	R69644
BFW	45.00	51.00	35.00	3.50	BRSM4003500T	
BFW	45.00	53.00	35.00	4.00	BRSM2004000T	
BFW	45.00	55.00	40.00	2.00	BRSM2504000T	RF3295
BFW	46.00	50.00	40.00	2.50	BFWM3004000	R69643
BRS	46.00	55.00	40.00	3.00	BRSM3004000T	RF3296
BFW	46.00	55.00	40.00	3.00	BRSM3174000T	RF3297
CFW	48.00	54.00	40.00	3.17	BRSM3504000T	
CFW	48.00	54.00	40.00	3.50	BFWM4004000	
CFW	49.00	55.00	40.00	4.00	BRSM4004000T	RF3298
BRS	49.00	55.00	40.00	4.00	BRSM2004500T	RF3299
BRS	50.00	53.00	45.00	2.00	BRSM2504500T	R46251
BRS	50.00	55.00	45.00	2.50	BRSM3004500T	RF3300
BRS	50.00	55.00	45.00	3.00	BRSM3174500T	R68058
BRS	50.00	55.00	45.00	3.17	BRSM3504500T	R69645
BRS	50.00	55.00	45.00	3.50	BRSM4004500T	RBN050
BRS	50.00	55.00	45.00	4.00	BFWM2005000	
BRS	50.00	55.00	50.00	2.00	BRSM2005000T	
BRS	50.00	55.00	50.00	2.00	BRSM2505000T	
BRS	50.00	55.00	50.00	3.00	BRSM3005000T	RF3392
BRS	50.00	55.00	50.00	3.00	BRSM3175000T	
BRS	50.00	55.00	50.00	3.17	BRSM3505000T	RF3443
BRS	50.00	55.00	50.00	3.50	BRSM4005000T	RF3772
BRS	50.00	55.00	50.00	4.00	BRSM4005000T	RF3206
BDU	50.00	55.00	35.00	2.50	BDUM050055-350	RF3207
BDU	50.00	55.00	40.00	2.50	BDUM050055-400	RF3208
BDU	50.00	55.00	50.00	2.50	BDUM050055-500	
BRA	50.00	56.00	9.60	3.00	BRAM050056-096	RK062A
BRA	50.00	56.00	12.70	3.00	BRAM050056-127	RF3301
BRA	50.00	56.00	13.00	3.00	BRAM050056-130	RK063A
BRP	50.00	56.00	25.00	3.00	BRPM050056-250	R46252
BRA	50.00	60.00	15.00	5.00	BRAM050060-150	RF3302
BRA	51.00	55.00	9.60	2.00	BRAM051055-096	RF3303
BRA	51.00	60.00	12.00	4.50	BRAM051060-120	RF3304
BRA	52.00	57.00	9.70	2.50	BRAM052057-097	
BRP	52.00	57.00	9.70	2.50	BRPM052057-097	RF3393

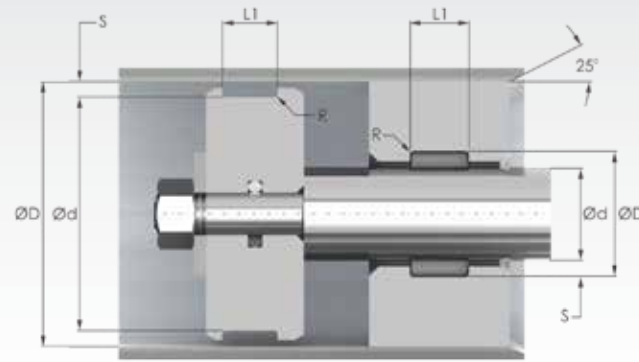
SORT CODE	HOUSING DIMENSIONS				REFERENCE	ALTERNATIVE REFERENCE NUMBER
	ØD	ØD	L1	S		
BRP	52.00	57.00	9.70	2.50	BRPM052057-097T	
BRA	52.00	58.00	9.60	3.00	BRAM052058-096	RF3305
BRA	54.00	60.00	10.00	3.00	BRAM054060-096	RF3306
BRA	54.00	60.00	12.70	3.00	BRAM054060-127	RF3307
BRA	54.00	60.00	15.50	3.00	BRAM054060-155	
BRA	55.00	60.00	5.60	2.50	BRAM055060-056	RF3308
BRG	55.00	60.00	5.70	2.50	BRGM055060-057	R69646
BRP	55.00	60.00	9.50	2.50	BRPM055060-095	
BRA	55.00	60.00	9.70	2.50	BRAM055060-097	RF3309
BRG	55.00	60.00	9.70	2.50	BRGM055060-097	R69647
BRP	55.00	60.00	15.00	2.50	BRPM055060-150	RF3394
BRG	55.00	60.00	20.00	2.50	BRGM055060-200	R47692
BDU	55.00	60.00	25.00	2.50	BDUM055060-250	RF3814
BDU	55.00	60.00	30.00	2.50	BDUM055060-300	RF3209
BDU	55.00	60.00	35.00	2.50	BDUM055060-350	RF3210
BDU	55.00	60.00	40.00	2.50	BDUM055060-400	RF3211
BDU	55.00	60.00	60.00	2.50	BDUM055060-600	RF3761
BRA	55.00	61.00	9.60	3.00	BRAM055061-096	RK088A
BRA	55.00	61.00	12.70	3.00	BRAM055061-127	RF3310
BRG	55.00	61.00	26.00	3.00	BRGM055061-260	R69850
BRG	55.60	62.00	10.00	3.20	BRGM056062-100	R69851
BRG	56.00	60.00	10.00	2.00	BRGM056060-100	R69648
BRA	56.00	61.00	5.60	2.50	BRAM056061-056	R69649
BRP	56.00	61.00	5.60	2.50	BRPM056061-056	RF3395
BRA	56.00	61.00	9.70	2.50	BRAM056061-097	RF3311
BRP	56.00	61.00	15.00	2.50	BRPM056061-150	RF3396
BRP	56.00	61.00	19.80	2.50	BRPM056061-198	RBN061
BRG	56.00	62.00	12.00	3.00	BRGM056062-120	
BRG	56.00	62.00	12.80	3.00	BRAM056062-128	R69852
BRA	56.00	65.00	12.00	4.50	BRAM056065-120	RF3312
BRA	57.00	63.00	9.60	3.00	BRAM057063-096	RF3313
BRA	57.00	63.00	12.70	3.00	BRAM057063-127	RF3314
BRA	57.00	63.00	13.00	3.00	BRAM057063-130	RF906A
BRA	58.00	63.00	5.60	2.50	BRAM058063-056	RF3315
BRG	58.00	63.00	5.60	2.50	BRGM058063-056	R69853
BRP	58.00	63.00	8.00	2.50	BRPM058063-080	
BRA	58.00	63.00	9.70	2.50	BRAM058063-097	RF3316
BRP	58.00	63.00	9.70	2.50	BRPM058063-097	RBN063
BRP	58.00	63.00	15.00	2.50	BRPM058063-150	RF3397
BRP	58.00	63.00	19.70	2.50	BRPM058063-197	
BRP	59.00	63.00	9.70	2.00	BRPM059063-097	
BRA	59.00	65.00	12.80	3.00	BRAM059065-128	RF907A
BRA	59.00	70.00	12.00	5.50	BRAM059070-120	RF3317
BRP	60.00	65.00	9.50	2.50	BRPM060065-095	RBN064



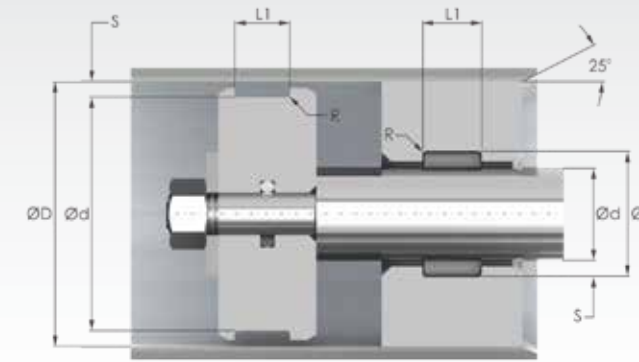
SORT CODE	HOUSING DIMENSIONS				REFERENCE	ALTERNATIVE REFERENCE NUMBER
	ØD	ØD	L1	S		
BRA	60.00	65.00	9.70	2.50	BRAM060065-097	R68059
BRG	60.00	65.00	15.00	2.50	BRGM060065-150	R69854
BRP	60.00	65.00	15.00	2.50	BRPM060065-150	RF3398
BRP	60.00	65.00	18.00	2.50	BRPM060065-180	
BRP	60.00	65.00	20.00	2.50	BRPM060065-200	RBN065
BDU	60.00	65.00	30.00	2.50	BDUM060065-300	RF3212
BDU	60.00	65.00	35.00	2.50	BDUM060065-350	
BDU	60.00	65.00	40.00	2.50	BDUM060065-400	RF3213
BDU	60.00	65.00	50.00	2.50	BDUM060065-500	
BRA	60.00	66.00	9.60	3.00	BRAM060066-096	RF3318
BRA	60.00	66.00	12.70	3.00	BRAM060066-127	RK064A
BRA	60.00	70.00	15.00	5.00	BRAM060070-150	RF3319
BRA	61.00	66.00	9.60	2.50	BRAM061066-096	RF3320
BRA	61.00	72.00	12.00	5.50	BRAM061072-120	RF3321
BRP	63.00	66.00	15.00	1.50	BRPM063066-150	
BRG	63.00	67.00	9.80	2.00	BRGM063067-098	R69855
BRA	63.00	68.00	9.70	2.50	BRAM063068-097	RF3322
BRP	63.00	68.00	19.80	2.50	BRPM063068-198	RBN068
BDU	63.00	68.00	40.00	2.50	BDUM063068-400	RF3214
BRA	63.00	69.00	12.80	3.00	BRAM063069-128	RK065A
BRA	64.00	70.00	9.60	3.00	BRAM064070-096	RF3323
BRA	64.00	70.00	12.80	3.00	BRAM064070-128	RF908A
BRP	64.00	70.00	13.00	3.00	BRPM064070-130	
BRA	65.00	70.00	5.60	2.50	BRAM065070-056	RF3324
BRP	65.00	70.00	7.20	2.50	BRPM065070-072	R46640
BRP	65.00	70.00	9.50	2.50	BRPM065070-095	
BRA	65.00	70.00	9.70	2.50	BRAM065070-097	R85060
BRP	65.00	70.00	9.70	2.50	BRPM065070-097	RBN069
BRP	65.00	70.00	9.70	2.50	BRPM065070-097T	
BRP	65.00	70.00	15.00	2.50	BRPM065070-150	RF3399
BRG	65.00	70.00	20.00	2.50	BRGM065070-200	R53969
BRP	65.00	70.00	25.00	2.50	BRPM065070-250	
BDU	65.00	70.00	30.00	2.50	BDUM065070-300	RF3215
BDU	65.00	70.00	35.00	2.50	BDUM065070-350	RF4751
BDU	65.00	70.00	40.00	2.50	BDUM065070-400	RF3216
BDU	65.00	70.00	60.00	2.50	BDUM065070-600	RF3217
BRA	65.00	71.00	12.70	3.00	BRAM065071-127	RF3325
BRA	65.00	71.00	13.00	3.00	BRAM065071-130	RK066A
BRG	66.00	72.00	26.00	3.00	BRGM066072-260	R69856
BRA	66.00	75.00	12.00	4.50	BRAM066075-120	RF3326
BRG	67.00	72.00	9.70	2.50	BRGM067072-097	R69857
BRG	68.00	73.00	9.70	2.50	BRGM068073-097	R69858
BRP	69.00	75.00	9.70	3.00	BRPM069075-097	RBN074
BRA	69.00	75.00	13.00	3.00	BRAM069075-127	RF3328



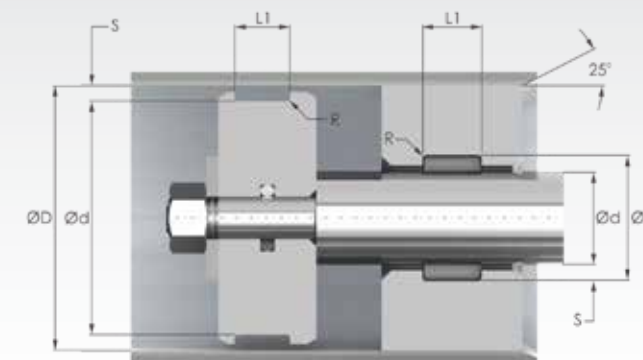
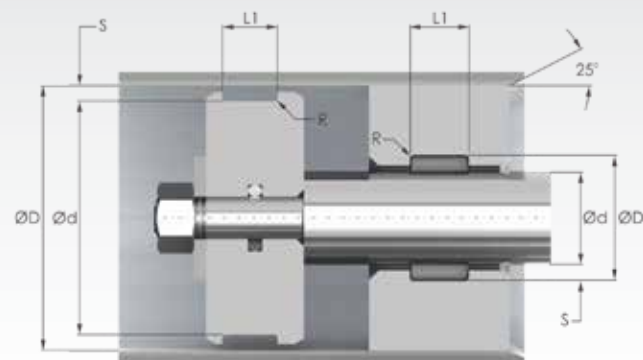
SORT CODE	HOUSING DIMENSIONS				REFERENCE	ALTERNATIVE REFERENCE NUMBER
	ØD	ØD	L1	S		
BRA	70.00	74.00	15.00	2.00	BRAM070074-150	RF3329
BRA	70.00	75.00	5.60	2.50	BRAM070075-056	RF3330
BRG	70.00	75.00	5.60	2.50	BRGM070075-056	R69859
BRB	70.00	75.00	6.00	2.50	BRBM070075-060	
BRP	70.00	75.00	9.50	2.50	BRPM070075-095	
BRA	70.00	75.00	9.70	2.50	BRAM070075-097	R89133
BRG	70.00	75.00	9.70	2.50	BRGM070075-097	R69860
BRG	70.00	75.00	15.00	2.50	BRGM070075-150	R69861
BRP	70.00	75.00	15.00	2.50	BRPM070075-150	RF3400
BRP	70.00	75.00	18.00	2.50	BRPM070075-180	
BRG	70.00	75.00	20.00	2.50	BRGM070075-200	R46059
BRP	70.00	75.00	20.00	2.50	BRPM070075-200	
BRP	70.00	75.00	25.00	2.50	BRPM070075-250	RBN075
BDU	70.00	75.00	30.00	2.50	BDUM070075-300	RF3218
BDU	70.00	75.00	35.00	2.50	BDUM070075-350	RF3219
BDU	70.00	75.00	40.00	2.50	BDUM070075-400	RF3220
BDU	70.00	75.00	60.00	2.50	BDUM070075-600	
BRA	70.00	76.00	12.80	3.00	BRAM070076-128	RK067A
BRA	71.00	75.00	15.00	2.00	BRAM071075-150	RF3331
BRA	71.00	80.00	12.00	4.50	BRAM071080-120	RF3332
BRB	72.00	80.00	6.00	4.00	BRBM072080-060	
BRB	72.00	80.00	15.00	4.00	BRBM072080-150	
BRA	74.00	80.00	12.80	3.00	BRAM074080-128	RF909A
BRP	74.00	80.00	13.00	3.00	BRPM074080-130	
BRG	75.00	80.00	5.60	2.50	BRGM075080-056	R69862
BRB	75.00	80.00	6.00	2.50	BRBM075080-060	
BRA	75.00	80.00	9.70	2.50	BRAM075080-097	R89165
BRG	75.00	80.00	9.70	2.50	BRGM075080-097	R69863
BRP	75.00	80.00	9.70	2.50	BRPM075080-097	RF2835
BRG	75.00	80.00	10.00	2.50	BRGM075080-100	RBN079
BRG	75.00	80.00	15.00	2.50	BRGM075080-150	R69864
BRP	75.00	80.00	15.00	2.50	BRPM075080-150	RF3401
BRP	75.00	80.00	20.00	2.50	BRPM075080-200	RBN080
BDU	75.00	80.00	30.00	2.50	BDUM075080-300	RF3221
BDU	75.00	80.00	40.00	2.50	BDUM075080-400	RF3222
BDU	75.00	80.00	50.00	2.50	BDUM075080-500	
BDU	75.00	80.00	60.00	2.50	BDUM075080-600	RF3223
BRA	75.00	81.00	12.70	3.00	BRAM075081-127	RF3334
BRA	75.00	81.00	13.00	3.00	BRAM075081-130	RK068A
BRA	76.00	80.00	15.00	2.00	BRAM076080-150	RF3335
BRA	76.00	81.00	9.60	2.50	BRAM076081-096	RF3336
BRA	76.00	85.00	15.00	4.50	BRAM076085-150	RF3337
BRG	76.50	80.00	9.45	1.75	BRGM077080-095	R69865
BRB	77.00	85.00	15.00	4.00	BRBM077085-150	



SORT CODE	HOUSING DIMENSIONS				REFERENCE	ALTERNATIVE REFERENCE NUMBER
	ØD	ØD	L1	S		
BRP	79.00	85.00	12.50	3.00	BRPM079085-125	
BRA	79.00	85.00	13.00	3.00	BRAM079085-127	RF3338
BRP	79.00	85.00	15.00	3.00	BRPM079085-150	RBN083
BRP	79.00	85.00	20.00	3.00	BRPM079085-200	
BRP	79.00	85.00	25.00	3.00	BRPM079085-250	
BRP	80.00	85.00	5.60	2.50	BRPM080085-056	RF3402
BRP	80.00	85.00	6.00	2.50	BRPM080085-060	
BRA	80.00	85.00	9.70	2.50	BRAM080085-097	R89008
BRP	80.00	85.00	9.70	2.50	BRPM080085-097	
BRG	80.00	85.00	15.00	2.50	BRGM080085-150	R69866
BRP	80.00	85.00	15.00	2.50	BRPM080085-150	RF3403
BRP	80.00	85.00	15.00	2.50	BRPM080085-150T	
BRP	80.00	85.00	18.00	2.50	BRPM080085-180	RBN084
BRP	80.00	85.00	25.00	2.50	BRPM080085-250	RF3404
BDU	80.00	85.00	30.00	2.50	BDUM080085-300	RF3224
BDU	80.00	85.00	40.00	2.50	BDUM080085-400	RF3225
BDU	80.00	85.00	50.00	2.50	BDUM080085-500	
BDU	80.00	85.00	60.00	2.50	BDUM080085-600	RF3226
BRA	80.00	86.00	12.70	3.00	BRAM080086-127	RF3339
BRA	80.00	86.00	12.80	3.00	BRAM080086-128	RK069A
BRA	80.00	86.00	19.20	3.00	BRAM080086-192	RF3340
BRG	80.00	86.00	30.00	3.00	BRGM080086-300	R56045
BRP	80.00	86.00	50.00	3.00	BRPM080086-500T	
BRA	81.00	90.00	12.70	4.50	BRAM081090-127	RF3341
BRB	82.00	90.00	6.00	4.00	BRBM082090-060	
BRB	82.00	90.00	15.00	4.00	BRBM082090-150	
BRA	84.00	90.00	10.00	3.00	BRAM084090-100	R15564
BRP	84.00	90.00	12.50	3.00	BRPM084090-125	RBN090
BRA	84.00	90.00	13.00	3.00	BRAM084090-127	RF3342
BRP	84.00	90.00	15.00	3.00	BRPM084090-150	
BRP	84.00	90.00	25.00	3.00	BRPM084090-250	RBN091
BRP	84.00	90.00	30.00	3.00	BRPM084090-300	R56046
BRA	85.00	90.00	5.60	2.50	BRAM085090-056	
BRG	85.00	90.00	5.60	2.50	BRGM085090-056	R69867
BRA	85.00	90.00	9.70	2.50	BRAM085090-097	R58589
BRG	85.00	90.00	15.00	2.50	BRGM085090-150	R69868
BRP	85.00	90.00	15.00	2.50	BRPM085090-150	RF3405
BDU	85.00	90.00	30.00	2.50	BDUM085090-300	RF2842
BDU	85.00	90.00	40.00	2.50	BDUM085090-400	RF3227
BRA	85.00	91.00	12.70	3.00	BRAM085091-127	RF3343
BRA	86.00	90.00	15.00	2.00	BRAM086090-150	RF3345
BRP	86.00	95.00	10.00	4.50	BRPM086095-100	
BRP	86.00	95.00	11.50	4.50	BRPM086095-115	RBN095
BRP	86.00	95.00	12.50	4.50	BRPM086095-125	

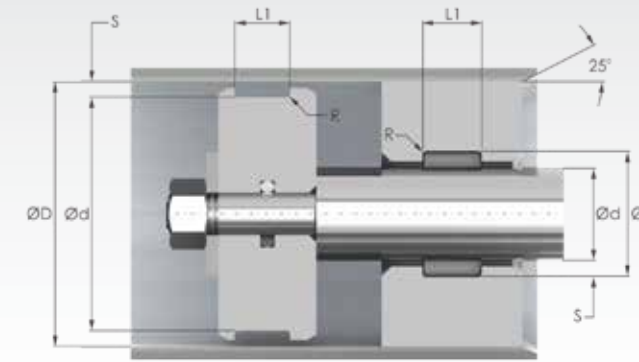
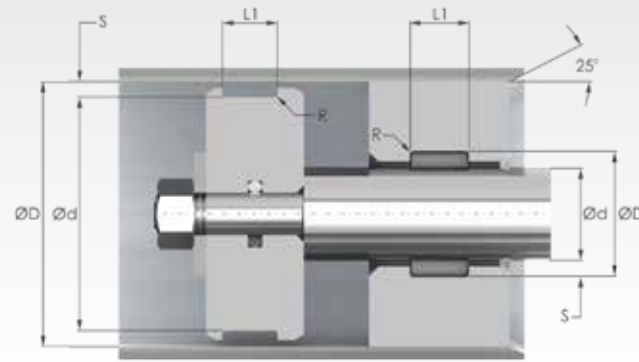


SORT CODE	HOUSING DIMENSIONS				REFERENCE	ALTERNATIVE REFERENCE NUMBER
	ØD	ØD	L1	S		
BRB	87.00	95.00	6.00	4.00	BRBM087095-060	
BRB	87.00	95.00	9.50	4.00	BRBM087095-095	
BRB	87.00	95.00	15.00	4.00	BRBM087095-150	
BRP	87.00	95.00	15.00	4.00	BRPM087095-150	
BRA	89.00	95.00	13.00	3.00	BRAM089095-128	RF910A
BRP	89.00	95.00	15.00	3.00	BRPM089095-150	RF3406
BRP	89.00	95.00	25.00	3.00	BRPM089095-250	RBN096
BRA	90.00	95.00	2.50	2.50	BRAM090095-025	
BRG	90.00	95.00	5.60	2.50	BRGM090095-056	R69869
BRB	90.00	95.00	6.00	2.50	BRBM090095-060	
BRA	90.00	95.00	9.70	2.50	BRAM090095-097	RF3347
BRP	90.00	95.00	9.70	2.50	BRPM090095-097	
BRP	90.00	95.00	9.70	2.50	BRPM090095-097T	
BRG	90.00	95.00	15.00	2.50	BRGM090095-150	R69870
BRP	90.00	95.00	15.00	2.50	BRPM090095-150	RF3407
BDU	90.00	95.00	20.00	2.50	BDUM090095-200	RF4752
BRP	90.00	95.00	20.00	2.50	BRPM090095-200	
BRP	90.00	95.00	20.00	2.50	BRPM090095-200T	
BRP	90.00	95.00	25.00	2.50	BRPM090095-250	
BDU	90.00	95.00	30.00	2.50	BDUM090095-300	RF3228
BDU	90.00	95.00	35.00	2.50	BDUM090095-350	
BDU	90.00	95.00	40.00	2.50	BDUM090095-400	RF3229
BDU	90.00	95.00	60.00	2.50	BDUM090095-600	
BRP	90.00	95.10	20.20	2.50	BRPM090095-202A	
BRA	90.00	96.00	12.70	3.00	BRAM090096-127	RK070A
BRA	90.00	96.00	19.20	3.00	BRAM090096-192	RF3348
BRA	90.00	96.00	19.50	3.00	BRAM090096-195	RK071A
BRP	90.00	96.00	25.00	3.00	BRPM090096-250	RBN092
BRB	92.00	100.00	6.00	4.00	BRBM092100-060	
BRB	92.00	100.00	15.00	4.00	BRBM092100-150	
BRP	93.00	100.00	17.00	3.50	BRPM093100-170	
BRP	94.00	100.00	12.50	3.00	BRPM094100-125	RBN099
BRA	94.00	100.00	12.80	3.00	BRAM094100-128	RF911A
BRP	94.00	100.00	15.00	3.00	BRPM094100-150	RF3408
BRP	94.00	100.00	16.50	3.00	BRPM094100-165	RF3784
BRP	94.00	100.00	20.00	3.00	BRPM094100-200	
BRG	94.00	100.00	25.00	3.00	BRGM094100-250	R86668
BRP	94.00	100.00	25.00	3.00	BRPM094100-250	RBN100
BRA	95.00	100.00	2.50	2.50	BRAM095100-025	R56034
BRA	95.00	100.00	5.60	2.50	BRAM095100-056	RF3794
BRG	95.00	100.00	6.00	2.50	BRGM095100-060	R69871
BRB	95.00	100.00	9.50	2.50	BRBM095100-095	
BRP	95.00	100.00	9.50	2.50	BRPM095100-095	R45872
BRA	95.00	100.00	9.70	2.50	BRAM095100-097	RF3349



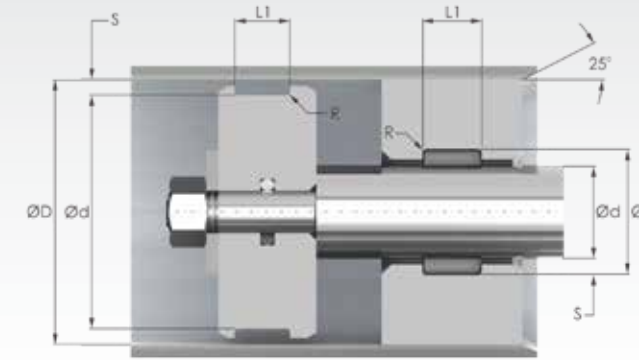
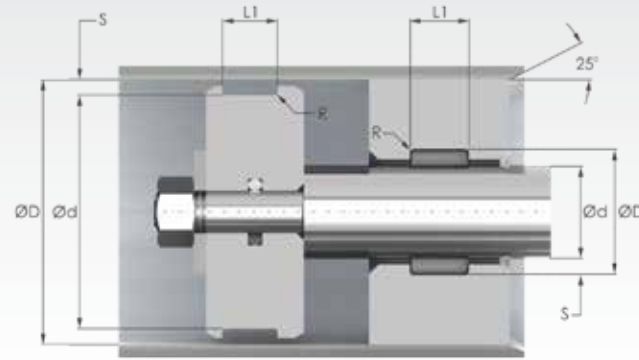
SORT CODE	HOUSING DIMENSIONS				REFERENCE	ALTERNATIVE REFERENCE NUMBER
	ØD	ØD	L1	S		
BRG	95.00	100.00	15.00	2.50	BRGM095100-150	R69872
BRP	95.00	100.00	15.00	2.50	BRPM095100-150	RF3409
BRA	95.00	100.00	25.00	2.50	BRAM095100-250	RF3769
BDU	95.00	100.00	30.00	2.50	BDUM095100-300	RF3230
BDU	95.00	100.00	35.00	2.50	BDUM095100-350	RF3231
BDU	95.00	100.00	40.00	2.50	BDUM095100-400	RF3232
BRG	95.00	100.00	45.00	2.50	BRGM095100-450	R69873
BDU	95.00	100.00	50.00	2.50	BDUM095100-500	RF4753
BDU	95.00	100.00	60.00	2.50	BDUM095100-600	RF3233
BRA	95.00	101.00	12.80	3.00	BRAM095101-128	RK072A
BRA	95.00	101.00	19.20	3.00	BRAM095101-192	RF3350
BRP	96.00	100.00	6.00	2.00	BRPM096100-060	
BRA	96.00	100.00	15.00	2.00	BRAM096100-150	RF3351
BRG	96.00	100.00	25.00	2.00	BRGM096100-250	
BRP	96.00	105.00	10.00	4.50	BRPM096105-100	
BRP	96.00	105.00	12.40	4.50	BRPM096105-124	RBN105
BRB	97.00	105.00	6.00	4.00	BRBM097105-060	
BRA	99.00	105.00	12.70	3.00	BRAM099105-127	RF3352
BRA	100.00	105.00	2.50	2.50	BRAM100105-025	RF4829
BRP	100.00	105.00	6.00	2.50	BRPM100105-060	RBN106
BRP	100.00	105.00	9.50	2.50	BRPM100105-095	R45873
BRA	100.00	105.00	9.70	2.50	BRAM100105-097	RF3353
BRG	100.00	105.00	15.00	2.50	BRGM100105-150	R69874
BRP	100.00	105.00	15.00	2.50	BRPM100105-150	RF3410
BDU	100.00	105.00	30.00	2.50	BDUM100105-300	RF3765
BDU	100.00	105.00	35.00	2.50	BDUM100105-350	RF3234
BDU	100.00	105.00	40.00	2.50	BDUM100105-400	RF3235
BDU	100.00	105.00	50.00	2.50	BDUM100105-500	RF3766
BDU	100.00	105.00	60.00	2.50	BDUM100105-600	RF3236
BDU	100.00	105.00	70.00	2.50	BDUM100105-700	
BDU	100.00	105.00	80.00	2.50	BDUM100105-800	
BRA	100.00	106.00	12.70	3.00	BRAM100106-127	RF3354
BRA	100.00	106.00	13.00	3.00	BRAM100106-130	RK073A
BRA	100.00	106.00	19.20	3.00	BRAM100106-192	RF3355
BRP	101.00	105.00	20.00	2.00	BRPM101105-200	
BRP	101.00	110.00	10.00	4.50	BRPM101110-100	
BRB	102.00	110.00	6.00	4.00	BRBM102110-060	
BRB	102.00	110.00	9.50	4.00	BRBM102110-095	
BRB	102.00	110.00	15.00	4.00	BRBM102110-150	
BRP	103.00	110.00	14.00	3.50	BRPM103110-140	
BRA	104.00	110.00	3.00	3.00	BRAM104110-030	R56013
BRP	104.00	110.00	12.50	3.00	BRPM104110-125	RBN111
BRA	104.00	110.00	12.80	3.00	BRAM104110-128	RF912A
BRP	104.00	110.00	15.00	3.00	BRPM104110-150	RBN112

SORT CODE	HOUSING DIMENSIONS				REFERENCE	ALTERNATIVE REFERENCE NUMBER
	ØD	ØD	L1	S		
BRP	104.00	110.00	25.00	3.00	BRPM104110-250	RBN110
BRA	105.00	110.00	2.50	2.50	BRAM105110-025	
BRG	105.00	110.00	7.90	2.50	BRGM105110-079	RF3370
BRA	105.00	110.00	9.70	2.50	BRAM105110-097	RF3356
BRP	105.00	110.00	9.70	2.50	BRPM105110-097	
BRG	105.00	110.00	15.00	2.50	BRGM105110-150	R69875
BRP	105.00	110.00	15.00	2.50	BRPM105110-150	RF3411
BRP	105.00	110.00	20.00	2.50	BRPM105110-200	
BDU	105.00	110.00	35.00	2.50	BDUM105110-350	RF4768
BDU	105.00	110.00	40.00	2.50	BDUM105110-400	RF3237
BDU	105.00	110.00	50.00	2.50	BDUM105110-500	RF3238
BRG	105.00	111.00	13.00	3.00	BRGM105111-130	R69877
BRP	105.00	115.00	15.00	5.00	BRPM105115-150	RBN115
BRP	105.80	115.00	15.00	4.60	BRPM106115-150	RBN116
BRG	106.00	110.00	15.00	2.00	BRGM106110-150	R69876
BRP	106.00	115.00	10.00	4.50	BRPM106115-100	RBN117
BRB	107.00	115.00	6.00	4.00	BRBM107115-060	
BRB	107.00	115.00	8.00	4.00	BRBM107115-080	
BRB	107.00	115.00	9.50	4.00	BRBM107115-095	
BRB	107.00	115.00	15.00	4.00	BRBM107115-150	
BRP	107.00	115.00	15.00	4.00	BRPM107115-150	RF2825
BRB	107.00	125.00	9.50	9.00	BRBM107125-095	
BRA	109.00	115.00	3.00	3.00	BRAM109115-030	R56014
BRG	109.00	115.00	13.00	3.00	BRGM109115-130	R69878
BRP	109.00	115.00	15.00	3.00	BRPM109115-150	RBN406
BRA	110.00	115.00	2.50	2.50	BRAM110115-025	
BRG	110.00	115.00	7.90	2.50	BRGM110115-079	
BRP	110.00	115.00	9.50	2.50	BRPM110115-095	
BRA	110.00	115.00	9.70	2.50	BRAM110115-097	RF3357
BRP	110.00	115.00	15.00	2.50	BRPM110115-150	RF3412
BRP	110.00	115.00	15.00	2.50	BRPM110115-150T	
BRG	110.00	115.00	25.00	2.50	BRGM110115-250	R69879
BDU	110.00	115.00	30.00	2.50	BDUM110115-300	
BDU	110.00	115.00	35.00	2.50	BDUM110115-350	RF3768
BDU	110.00	115.00	40.00	2.50	BDUM110115-400	RF3239
BDU	110.00	115.00	45.00	2.50	BDUM110115-450	
BDU	110.00	115.00	50.00	2.50	BDUM110115-500	RF3240
BDU	110.00	115.00	55.00	2.50	BDUM110115-550	RF3771
BDU	110.00	115.00	60.00	2.50	BDUM110115-600	RF3241
BRA	110.00	116.00	12.70	3.00	BRAM110116-127	RF3358
BRA	110.00	116.00	13.00	3.00	BRAM110116-130	RK074A
BRP	110.00	118.00	30.00	4.00	BRPM110118-300	RBN118
BRP	111.00	115.00	20.00	2.00	BRPM111115-200	
BRP	111.00	120.00	10.00	4.50	BRPM111120-100	RBN409



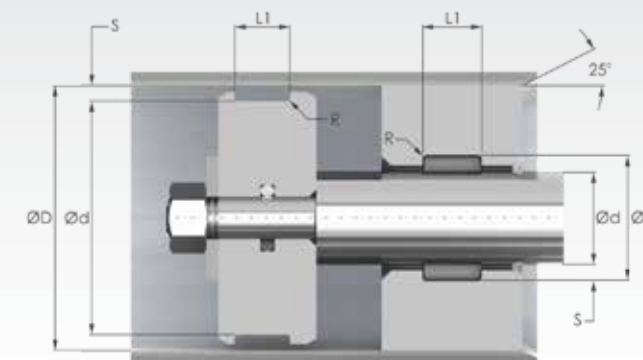
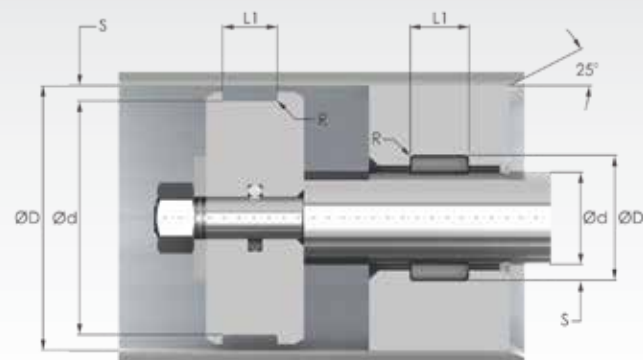
SORT CODE	HOUSING DIMENSIONS				REFERENCE	ALTERNATIVE REFERENCE NUMBER
	ØD	ØD	L1	S		
BRP	111.00	120.00	15.00	4.50	BRPM111120-150	RBN122
BRB	112.00	120.00	6.00	4.00	BRBM112120-060	
BRB	112.00	120.00	8.00	4.00	BRBM112120-080	
BRB	112.00	120.00	9.50	4.00	BRBM112120-095	
BRA	114.00	120.00	3.00	3.00	BRAM114120-030	R56015
BRP	114.00	120.00	6.00	3.00	BRPM114120-060	
BRP	114.00	120.00	12.00	3.00	BRPM114120-120	RBN123
BRG	114.00	120.00	13.00	3.00	BRGM114120-130	R69880
BRP	114.00	120.00	15.00	3.00	BRPM114120-150	RBN119
BRP	114.00	120.00	22.50	3.00	BRPM114120-225	
BRP	114.00	120.00	25.00	3.00	BRPM114120-250	RBN120
BRP	114.00	120.00	30.00	3.00	BRPM114120-300	RBN121
BRP	115.00	120.00	7.90	2.50	BRPM115120-079	RBN125
BRP	115.00	120.00	9.50	2.50	BRPM115120-095	RBN124
BRP	115.00	120.00	9.70	2.50	BRPM115120-097	RF3415
BRG	115.00	120.00	15.00	2.50	BRGM115120-150	R69881
BRP	115.00	120.00	15.00	2.50	BRPM115120-150	RF3416
BRG	115.00	120.00	25.00	2.50	BRGM115120-250	R69882
BRP	115.00	120.00	25.00	2.50	BRPM115120-250	R45870
BDU	115.00	120.00	35.00	2.50	BDUM115120-350	RF3242
BDU	115.00	120.00	45.00	2.50	BDUM115120-450	RF4757
BDU	115.00	120.00	60.00	2.50	BDUM115120-600	RF3243
BRA	115.00	121.00	12.80	3.00	BRAM115121-128	RK075A
BRP	115.00	125.00	10.00	5.00	BRPM115125-100	RBN126
BRB	117.00	125.00	6.00	4.00	BRBM117125-060	
BRB	117.00	125.00	8.00	4.00	BRBM117125-080	
BRB	117.00	125.00	9.50	4.00	BRBM117125-095	
BRB	117.00	125.00	15.00	4.00	BRBM117125-150	
BRA	119.00	125.00	3.00	3.00	BRAM119125-030	R56010
BRA	119.00	125.00	12.70	3.00	BRAM119125-127	RF3360
BRP	119.00	125.00	13.30	3.00	BRPM119125-133T	
BRP	119.00	125.00	15.00	3.00	BRPM119125-150	RF3417
BRP	119.00	125.00	30.00	3.00	BRPM119125-300	
BRP	120.00	125.00	8.00	2.50	BRPM120125-080	
BRP	120.00	125.00	9.70	2.50	BRPM120125-097	RF3418
BRG	120.00	125.00	15.00	2.50	BRGM120125-150	R69883
BRP	120.00	125.00	15.00	2.50	BRPM120125-150	RF3419
BDU	120.00	125.00	35.00	2.50	BDUM120125-350	RF4758
BDU	120.00	125.00	40.00	2.50	BDUM120125-400	
BDU	120.00	125.00	45.00	2.50	BDUM120125-450	RF2845
BDU	120.00	125.00	50.00	2.50	BDUM120125-500	RF3244
BDU	120.00	125.00	60.00	2.50	BDUM120125-600	RF3245
BRA	120.00	126.00	12.80	3.00	BRAM119125-130	
BRA	120.00	126.00	12.80	3.00	BRAM120126-128	RK076A

SORT CODE	HOUSING DIMENSIONS				REFERENCE	ALTERNATIVE REFERENCE NUMBER
	ØD	ØD	L1	S		
BRP	120.00	130.00	10.00	5.00	BRPM120130-100	RBN130
BRP	120.00	130.00	15.00	5.00	BRPM120130-150	RBN131
BRA	121.00	125.00	8.00	2.00	BRAM121125-080	
BRG	121.00	125.00	20.00	2.00	BRGM121125-200	R69884
BRP	121.00	125.00	20.00	2.00	BRPM121125-200	R46376
BRB	122.00	130.00	6.00	4.00	BRBM122130-060	
BRB	122.00	130.00	8.00	4.00	BRBM122130-080	
BRP	122.00	130.00	15.00	4.00	BRPM122130-150	RBN139
BRP	123.00	130.00	15.00	3.50	BRPM123130-150	RBN133
BRP	123.00	130.00	30.00	3.50	BRPM123130-300	RBN132
BRP	123.00	130.00	40.00	3.50	BRPM123130-400	
BRA	124.00	130.00	3.00	3.00	BRAM124130-030	R56011
BRA	124.00	130.00	13.00	3.00	BRAM124130-130	RF913A
BRP	125.00	130.00	8.00	2.50	BRPM125130-080	RBN282
BRP	125.00	130.00	9.70	2.50	BRPM125130-097	RF3420
BRP	125.00	130.00	15.00	2.50	BRPM125130-150	RF3421
BRP	125.00	130.00	25.00	2.50	BRPM125130-250	RF3422
BDU	125.00	130.00	60.00	2.50	BDUM125130-600	
BRA	125.00	131.00	12.80	3.00	BRAM125131-128	RK077A
BRP	125.00	135.00	10.00	5.00	BRPM125135-100	RBN410
BRP	125.00	135.00	15.00	5.00	BRPM125135-150	RBN135
BRB	127.00	135.00	6.00	4.00	BRBM127135-060	
BRB	127.00	135.00	8.00	4.00	BRBM127135-080	
BRB	127.00	135.00	9.50	4.00	BRBM127135-095	
BRP	128.00	135.00	25.00	3.50	BRPM128135-250	RF2847
BRP	128.00	140.00	12.50	6.00	BRPM128140-125	RBN142
BRP	128.00	140.00	17.50	6.00	BRPM128140-175	RBN141
BRA	129.00	135.00	3.00	3.00	BRAM129135-030	
BRG	129.00	135.00	19.50	3.00	BRGM129135-195	R69885
BRP	130.00	135.00	9.50	2.50	BRPM130135-095	RBN134
BRG	130.00	135.00	15.00	2.50	BRGM130135-150	R69887
BRP	130.00	135.00	15.00	2.50	BRPM130135-150	RF3423
BRP	130.00	135.00	15.00	2.50	BRPM130135-150T	
BRP	130.00	135.00	20.00	2.50	BRPM130135-200T	
BRP	130.00	135.00	25.00	2.50	BRPM130135-250T	
BDU	130.00	135.00	35.00	2.50	BDUM130135-350	RF3773
BDU	130.00	135.00	39.00	2.50	BDUM130135-390	RF4759
BDU	130.00	135.00	50.00	2.50	BDUM130135-500	RF3246
BRA	130.00	136.00	12.80	3.00	BRAM130136-128	RK078A
BRP	130.00	140.00	15.00	5.00	BRPM130140-150	RF1039
BRG	130.60	135.00	5.60	2.20	BRGM131135-056	R69886
BRB	132.00	140.00	6.00	4.00	BRBM132140-060	
BRB	132.00	140.00	8.00	4.00	BRBM132140-080	
BRB	132.00	140.00	9.50	4.00	BRBM132140-095	
BRP	133.00	140.00	14.00	3.50	BRPM133140-140	RBN137



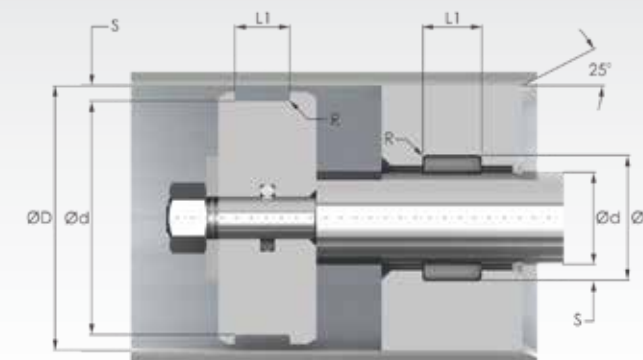
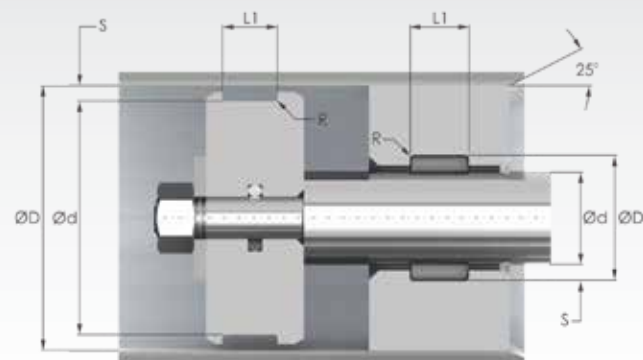
SORT CODE	HOUSING DIMENSIONS				REFERENCE	ALTERNATIVE REFERENCE NUMBER
	ØD	ØD	L1	S		
BRP	133.00	140.00	17.50	3.50	BRPM133140-175	RBN138
BRP	133.00	140.00	20.00	3.50	BRPM133140-200	RBN136
BRP	133.00	140.00	35.00	3.50	BRPM133140-350	RBN140
BRP	133.00	140.00	40.00	3.50	BRPM133140-400	
BRP	133.00	145.00	12.50	6.00	BRPM133145-125	RBN129
BRA	134.00	140.00	3.00	3.00	BRAM134140-030	R56008
BRA	134.00	140.00	12.70	3.00	BRAM134140-127	RF3361
BRB	135.00	140.00	4.00	2.50	BRBM135140-040	
BRP	135.00	140.00	9.70	2.50	BRPM135140-097	RF3424
BRG	135.00	140.00	15.00	2.50	BRGM135140-150	R69888
BRP	135.00	140.00	15.00	2.50	BRPM135140-150	RF3425
BRG	135.00	140.00	25.00	2.50	BRGM135140-250	R69889
BRP	135.00	140.00	25.00	2.50	BRPM135140-250	RF3426
BRB	137.00	145.00	6.00	4.00	BRBM137145-060	
BRB	137.00	145.00	8.00	4.00	BRBM137145-080	
BRB	137.00	145.00	9.50	4.00	BRBM137145-095	
BRB	137.00	145.00	9.70	4.00	BRBM137145-097	
BRP	138.00	145.00	14.80	3.50	BRPM138145-148	
BRP	138.00	145.00	20.00	3.50	BRPM138145-200	
BRP	138.00	150.00	12.50	6.00	BRPM138150-125	
BRP	138.00	150.00	15.00	6.00	BRPM138150-150	
BRP	138.00	150.00	17.50	6.00	BRPM138150-175	RBN151
BRA	139.00	145.00	3.00	3.00	BRAM139145-030	
BRA	139.00	145.00	19.50	3.00	BRAM139145-192	RF3362
BRP	140.00	145.00	9.70	2.50	BRPM140145-097	
BRG	140.00	145.00	15.00	2.50	BRGM140145-150	R69890
BRP	140.00	145.00	15.00	2.50	BRPM140145-150	RF3427
BRP	140.00	145.00	25.00	2.50	BRPM140145-250	RF3428
BDU	140.00	145.00	35.00	2.50	BDUM140145-350	RF3777
BDU	140.00	145.00	40.00	2.50	BDUM140145-400	
BDU	140.00	145.00	50.00	2.50	BDUM140145-500	RF3247
BDU	140.00	145.00	55.00	2.50	BDUM140145-550	RF3798
BDU	140.00	145.00	70.00	2.50	BDUM140145-700	R46085
BRA	140.00	146.00	12.80	3.00	BRAM140146-128	RK079A
BRP	140.00	150.00	15.00	5.00	BRPM140150-150	
BRB	142.00	150.00	6.00	4.00	BRBM142150-060	
BRB	142.00	150.00	8.00	4.00	BRBM142150-080	
BRB	142.00	150.00	9.50	4.00	BRBM142150-095	
BRP	143.00	150.00	15.00	3.50	BRPM143150-150	RBN401
BRP	143.00	150.00	17.50	3.50	BRPM143150-175	
BRP	143.00	150.00	20.00	3.50	BRPM143150-200	RBN152
BRP	143.00	150.00	22.00	3.50	BRPM143150-220	RBN153
BRG	143.00	150.00	22.80	3.00	BRGM143150-228	R46539
BRP	143.00	150.00	25.00	3.50	BRPM143150-250	RBN149
BRP	143.00	150.00	35.00	3.50	BRPM143150-350	RBN150

SORT CODE	HOUSING DIMENSIONS				REFERENCE	ALTERNATIVE REFERENCE NUMBER
	ØD	ØD	L1	S		
BRP	143.00	150.00	40.00	3.50	BRPM143150-400	RBN155
BRA	144.00	150.00	3.00	3.00	BRAM144150-030	R56009
BRA	144.00	150.00	12.70	3.00	BRAM144150-127	RF3363
BRP	144.00	150.00	20.00	3.00	BRPM144150-200	RF2850
BRP	145.00	150.00	9.50	2.50	BRPM145150-095	RBN154
BRP	145.00	150.00	15.00	2.50	BRPM145150-150	RF3429
BDU	145.00	150.00	60.00	2.50	BDUM145150-600	RF3799
BRG	145.00	151.00	13.00	3.00	BRGM145151-130	R69891
BRP	148.00	160.00	15.00	6.00	BRPM148160-150	RBN159
BRP	148.00	160.00	20.00	6.00	BRPM148160-200	RBN163
BRA	149.00	155.00	19.20	3.00	BRAM149155-192	RF914A
BRP	150.00	155.00	15.00	2.50	BRPM150155-150	RF3430
BDU	150.00	155.00	34.00	2.50	BDUM150155-340	
BDU	150.00	155.00	40.00	2.50	BDUM150155-400	
BDU	150.00	155.00	50.00	2.50	BDUM150155-500	RF3248
BDU	150.00	155.00	60.00	2.50	BDUM150155-600	RF3800
BRA	150.00	156.00	12.80	3.00	BRAM150156-128	RK080A
BRG	150.00	156.00	19.50	3.00	BRGM150156-195	R69892
BRB	152.00	160.00	6.00	4.00	BRBM152160-060	
BRP	152.00	160.00	9.00	4.00	BRPM152160-090	RBN411
BRB	152.00	160.00	9.50	4.00	BRBM152160-095	
BRA	153.00	160.00	15.00	3.50	BRAM153160-150	RF3779
BRP	153.00	160.00	15.00	3.50	BRPM153160-150	
BRP	153.00	160.00	20.00	3.50	BRPM153160-200	RBN161
BRP	153.00	160.00	40.00	3.50	BRPM153160-400	RBN162
BRA	154.00	160.00	3.00	3.00	BRAM154160-030	
BRA	154.00	160.00	19.20	3.00	BRAM154160-192	RF915A
BRP	154.00	160.00	25.00	3.00	BRPM154160-250T	
BRP	154.00	160.00	30.00	3.00	BRPM154160-300	RF3778
BRP	155.00	160.00	9.50	2.50	BRPM155160-095	RBN164
BRP	155.00	160.00	9.70	2.50	BRPM155160-097	RF3431
BRP	155.00	160.00	9.70	2.50	BRPM155160-097T	
BRP	155.00	160.00	15.00	2.50	BRPM155160-150	RF3432
BRP	155.00	160.00	25.00	2.50	BRPM155160-250	
BRB	157.00	165.00	6.00	4.00	BRBM157165-060	
BRB	157.00	165.00	9.50	4.00	BRBM157165-095	
BRP	159.00	165.00	30.00	3.00	BRPM159165-300	RBN165
BRA	159.00	165.00	37.40	3.00	BRAM159165-374	
BDU	160.00	165.00	6.00	2.50	BDUM160165-060	
BRP	160.00	165.00	9.70	2.50	BRPM160165-097	RF3433
BRP	160.00	165.00	15.00	2.50	BRPM160165-150	RBN168
BRP	160.00	165.00	25.00	2.50	BRPM160165-250	R45283
BDU	160.00	165.00	40.00	2.50	BDUM160165-400	RF4765
BDU	160.00	165.00	50.00	2.50	BDUM160165-500	RF3249
BDU	160.00	165.00	55.00	2.50	BDUM160165-550	RF3790



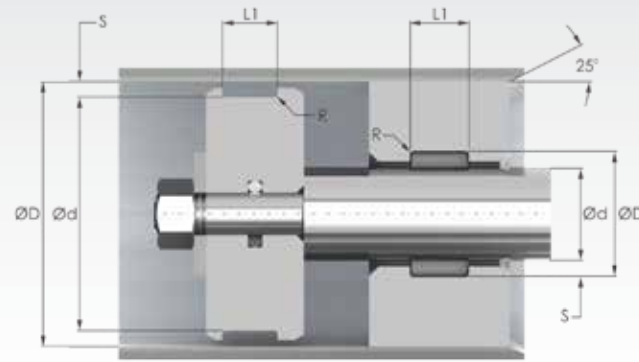
SORT CODE	HOUSING DIMENSIONS				REFERENCE	ALTERNATIVE REFERENCE NUMBER
	ØD	ØD	L1	S		
BDU	160.00	165.00	60.00	2.50	BDUM160165-600	RF3810
BDU	160.00	165.00	80.00	2.50	BDUM160165-800	RF3690
BDU	160.00	165.00	95.00	2.50	BDUM160165-950	
BRA	160.00	166.00	19.20	3.00	BRAM160166-192	RF3364
BRB	162.00	170.00	6.00	4.00	BRBM162170-060	
BRB	162.00	170.00	8.00	4.00	BRBM162170-080	
BRB	162.00	170.00	9.50	4.00	BRBM162170-095	
BRA	164.00	170.00	3.00	3.00	BRAM164170-030	R56016
BRP	164.00	170.00	9.50	3.00	BRPM164170-095	R45859
BRA	164.00	170.00	19.20	3.00	BRAM164170-192	RF916A
BRB	165.00	170.00	4.00	2.50	BRBM165170-040	
BRP	165.00	170.00	9.70	2.50	BRPM165170-097	
BRP	165.00	170.00	15.00	2.50	BRPM165170-150	
BRP	165.00	170.00	25.00	2.50	BRPM165170-250	RBN170
BRB	167.00	175.00	6.00	4.00	BRBM167175-060	
BRP	168.00	180.00	22.50	6.00	BRPM168180-225	RBN180
BRP	170.00	175.00	15.00	2.50	BRPM170175-150	RF3434
BRP	170.00	175.00	20.00	2.50	BRPM170175-200	
BRP	170.00	175.00	25.00	2.50	BRPM170175-250	RF3435
BDU	170.00	175.00	35.00	2.50	BDUM170175-350	RF3774
BDU	170.00	175.00	40.00	2.50	BDUM170175-400	RF4761
BDU	170.00	175.00	80.00	2.50	BDUM170175-800	RF1038
BDU	170.00	175.00	85.00	2.50	BDUM170175-850	RF3809
BRG	170.00	176.00	19.00	3.00	BRGM170176-190	R69893
BRA	170.00	176.00	19.20	3.00	BRAM170176-192	RK081A
BRB	172.00	180.00	9.50	4.00	BRBM172180-095	
BRP	172.00	180.00	20.00	4.00	BRPM172180-200	RBN182
BRP	172.00	180.00	22.00	4.00	BRPM172180-220	RBN181
BRP	172.00	180.00	22.50	4.00	BRPM172180-225	
BRA	172.00	180.00	30.00	4.00	BRAM179171-030	R45353
BRP	172.00	180.00	45.00	4.00	BRPM172180-450	
BRP	172.00	180.00	80.00	4.00	BRPM172180-800	
BRP	173.00	180.00	9.50	3.50	BRPM173180-095	RBN184
BRP	173.00	185.00	22.50	6.00	BRPM173185-225	RBN185
BRA	174.00	180.00	3.00	3.00	BRAM174180-030	
BRP	174.00	180.00	14.80	3.00	BRPM174180-148	RBN183
BRP	174.00	180.00	15.00	3.00	BRPM174180-150	R45421
BRA	174.00	180.00	19.20	3.00	BRAM174180-192	RF917A
BRP	174.00	180.00	30.00	3.00	BRPM174180-300	
BRA	174.00	180.00	46.00	3.00	BRAM174180-450	R46226
BRP	175.00	180.00	15.00	2.50	BRPM175180-150	RF3436
BRP	175.00	180.00	25.00	2.50	BRPM175180-250	
BRB	177.00	185.00	8.00	4.00	BRBM177185-080	
BDU	180.00	185.00	12.00	2.50	BDUM180185-012	
BRP	180.00	185.00	15.00	2.50	BRPM180185-150	R56293

SORT CODE	HOUSING DIMENSIONS				REFERENCE	ALTERNATIVE REFERENCE NUMBER
	ØD	ØD	L1	S		
BDU	180.00	185.00	50.00	2.50	BDUM180185-500	RF4762
BDU	180.00	185.00	90.00	2.50	BDUM180185-900	RF3775
BRG	180.00	186.00	19.50	3.00	BRGM180186-195	R69894
BRB	182.00	190.00	6.00	4.00	BRBM182190-060	
BRB	182.00	190.00	8.00	4.00	BRBM182190-080	
BRB	182.00	190.00	9.50	4.00	BRBM182190-095	
BRP	182.00	190.00	25.00	4.00	BRPM182190-250	RBN403
BRP	182.00	190.00	50.00	4.00	BRPM182190-500	
BRA	184.00	190.00	3.00	3.00	BRAM184190-030	
BRP	184.20	189.00	15.00	2.40	BRPM184189-150AT	
BRB	185.00	190.00	15.00	2.50	BRBM185190-150	
BRP	188.00	200.00	22.50	6.00	BRPM188200-225	RBN200
BRP	188.00	200.00	90.00	6.00	BRPM188200-900	
BRP	190.00	195.00	15.00	2.50	BRPM190195-150	RF3437
BRP	190.00	195.00	20.00	2.50	BRPM190195-200T	
BDU	190.00	195.00	40.00	2.50	BDUM190195-400	RF3770
BRA	190.00	196.00	19.20	3.00	BRAM190196-192	RK082A
BRB	192.00	200.00	9.00	4.00	BRBM192200-090	
BRB	192.00	200.00	9.50	4.00	BRBM192200-095	
BRP	192.00	200.00	22.50	4.00	BRPM192200-225	RBN203
BRP	192.00	200.00	24.70	4.00	BRPM192200-247	RBN201
BRP	192.00	200.00	40.00	4.00	BRPM192200-400	
BRP	192.00	200.00	45.00	4.00	BRPM192200-450	RBN202
BRA	194.00	200.00	19.50	3.00	BRAM194200-195	RF918A
BRP	194.00	200.00	20.00	3.00	BRPM194200-200	
BRP	194.00	200.00	30.00	3.00	BRPM194200-300	
BRA	195.00	200.00	15.00	2.50	BRAM195200-150	
BRP	195.00	200.00	15.00	2.50	BRPM195200-150	RF3438
BRG	195.00	200.00	25.00	2.50	BRGM195200-250	R69895
BRP	195.00	200.00	25.00	2.50	BRPM195200-250	RF3439
BRP	200.00	205.00	15.00	2.50	BRPM200205-150	RF3440
BDU	200.00	205.00	20.00	2.50	BDUM200205-200	RF4763
BRP	200.00	205.00	20.00	2.50	BRPM200205-200T	
BRP	200.00	205.00	25.00	2.50	BRPM200205-250T	
BDU	200.00	205.00	70.00	2.50	BDUM200205-700	RF4764
BRB	202.00	210.00	9.00	4.00	BRBM202210-090	
BRA	204.00	210.00	19.20	3.00	BRAM204210-192	
BRB	207.00	215.00	9.50	4.00	BRBM207215-095	
BRP	208.00	220.00	120.00	6.00	BRPM208220-1200	
BRP	209.00	215.00	20.00	3.00	BRPM209215-200	
BDU	210.00	215.00	20.00	2.50	BDUM210215-200	
BDU	210.00	215.00	75.00	2.50	BDUM210215-750	
BRA	210.00	216.00	19.20	3.00	BRAM210216-192	RK083A
BRP	210.00	220.00	40.00	5.00	BRPM210220-400	R46285

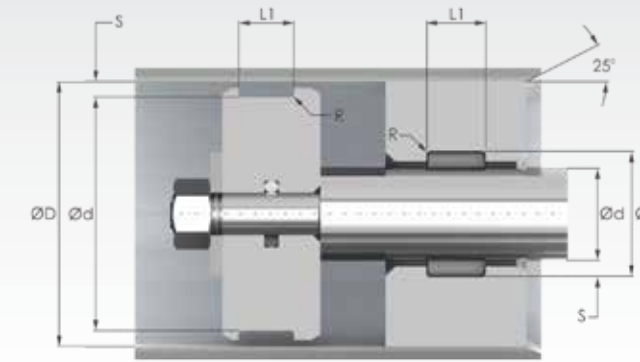


SORT CODE	HOUSING DIMENSIONS				REFERENCE	ALTERNATIVE REFERENCE NUMBER
	ØD	ØD	L1	S		
BRP	210.00	220.00	40.00	5.00	BRPM210220-400/1	LT13157
BRP	211.00	220.00	24.00	4.50	BRPM211220-240	RBN220
BRB	212.00	220.00	9.00	4.00	BRBM212220-090	
BRP	213.00	225.00	25.00	6.00	BRPM213225-250	RBN224
BRA	214.00	220.00	19.20	3.00	BRAM214220-192	RF3365
BRP	215.00	220.00	15.00	2.50	BRPM215220-150	RF3441
BRA	215.00	225.00	24.70	3.00	BRAM215225-247	
BRB	217.00	225.00	9.50	4.00	BRBM217225-095	
BRP	217.00	225.00	25.00	4.00	BRPM217225-250	RBN226
BRP	217.00	225.00	50.00	4.00	BRPM217225-500	RBN225
BRG	220.00	225.00	15.00	2.50	BRGM220225-150	R69896
BRP	220.00	225.00	15.00	2.50	BRPM220225-150T	
BRP	220.00	225.00	25.00	2.50	BRPM220225-250T	
BDU	220.00	225.00	60.00	2.50	BDUM220225-600	
BRG	220.00	226.00	19.50	3.00	BRGM220226-195	R69897
BRB	222.00	230.00	15.00	4.00	BRBM222230-150	
BRA	224.00	230.00	19.20	3.00	BRAM224230-192	RF919A
BRP	224.00	230.00	25.00	3.00	BRPM224230-250	RBN407
BRP	225.00	230.00	25.00	2.50	BRPM225230-250	RBN404
BRB	232.00	240.00	15.00	4.00	BRBM232240-150	
BRP	234.00	240.00	25.00	3.00	BRPM234240-250	RBN405
BRP	235.00	240.00	20.00	2.50	BRPM235240-200T	
BRP	238.00	250.00	27.50	6.00	BRPM238250-275	RBN250
BRB	242.00	250.00	14.50	4.00	BRBM242250-145	
BRP	242.00	250.00	54.80	4.00	BRPM242250-548	RBN227
BRA	244.00	250.00	19.50	3.00	BRAM244250-195	RF920A
BRP	244.00	250.00	25.00	3.00	BRPM244250-250	RBN402
BRP	248.00	260.00	27.50	6.00	BRPM248260-275	RBN260
BRP	250.00	255.07	25.10	2.53	BRPM250255-250T	
BRA	250.00	256.00	19.20	3.00	BRAM250256-192	RK084A
BRB	252.00	260.00	15.00	4.00	BRBM252260-150	
BRA	253.00	261.00	37.40	4.00	BRAM253261-374	
BRP	254.00	260.00	30.00	3.00	BRPM254260-300	RF4769
BDU	260.00	265.00	70.00	2.50	BDUM260265-700	
BRA	260.00	266.00	19.20	3.00	BRAM260266-192	RK085A
BRA	264.00	270.00	19.20	3.00	BRAM264270-192	RF921A
BRP	268.00	280.00	30.00	6.00	BRPM268280-300	RBN280
BRB	272.00	280.00	9.50	4.00	BRBM272280-095	
BRP	272.00	280.00	60.00	4.00	BRPM272280-600	RBN281
BRA	274.00	280.00	19.20	3.00	BRAM274280-192	RF922A
brp	280.00	285.00	25.00	2.50	BRPM280285-250T	
BRP	288.00	300.00	30.00	6.00	BRPM288300-300	RBN300
BRA	289.20	300.00	18.80	5.40	BRAM289300-188	
BRP	290.00	300.00	23.00	5.00	BRPM290300-230T	
BRP	292.00	300.00	30.00	4.00	BRPM292300-300	

SORT CODE	HOUSING DIMENSIONS				REFERENCE	ALTERNATIVE REFERENCE NUMBER
	ØD	ØD	L1	S		
BRP	292.00	300.00	50.00	4.00	BRPM292300-500	RBN302
BRA	294.00	300.00	19.20	3.00	BRAM294300-192	RF923A
BRG	295.00	300.00	15.00	2.50	BRGM295300-150	R69898
BRP	295.00	300.00	25.00	2.50	BRPM295300-250	RBN301
BRP	295.00	300.00	35.00	2.50	BRPM295300-350	
BRB	295.00	303.00	20.00	4.00	BRBM295303-200	
BRP	300.00	305.00	25.00	2.50	BRPM300305-250	RF3760
BRG	315.00	320.00	25.00	2.50	BRGM315320-250	R69899
BRP	320.00	330.00	25.60	5.00	BRPM320330-256T	
BRP	320.00	330.00	30.00	5.00	BRPM320330-300T	
BRP	339.85	350.00	25.55	5.07	BRPM339350-250T	
BDU	350.00	355.00	245.00	2.50	BDUM350355-2450	
BRP	355.00	360.00	40.00	2.50	BRPM355360-400	
BRG	390.65	403.20	130.00	6.25	BRGM390403-130	
BRP	390.65	403.20	130.00	6.28	BRPM390403-1300	
BRP	395.00	400.00	25.00	2.50	BRPM395400-250	RBN400
BRP	409.90	420.00	25.40	5.05	BRPM410420-255T	
BRP	414.00	420.00	60.00	2.50	BRPM414420-600	
BRP	470.00	480.00	30.00	5.00	BRPM470480-300T	



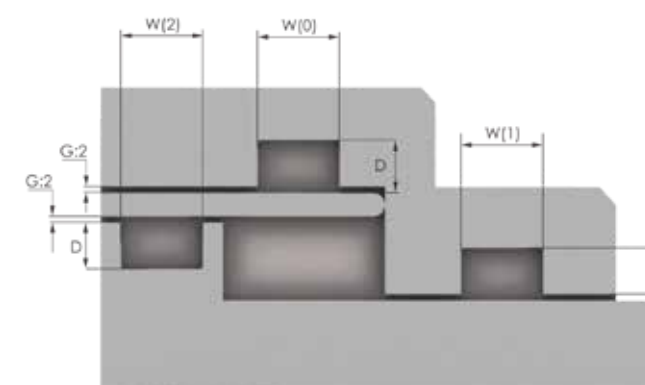
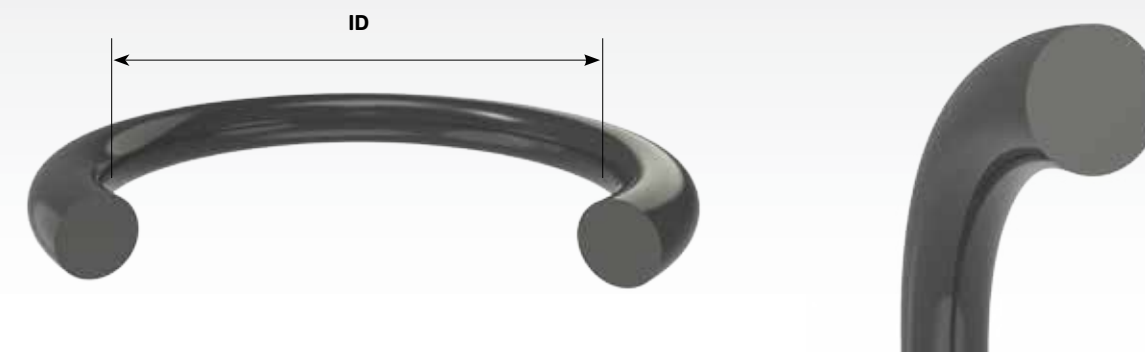
SORT CODE	HOUSING DIMENSIONS		REFERENCE	ALTERNATIVE REFERENCE NUMBER
	L1	S		
BRN	0.250	0.062	BRNI062-0250	P06119
BRN	0.250	0.125	BRNI125-0250	P06149
BRN	0.375	0.062	BRNI062-0375	P06120
BFW	0.375	0.093	BFWI093-0375	BFWS53
CFW	0.375	0.093	CFWI093-0375	CFWS56
BFW	0.375	0.125	BFWI125-0375	BFWS21
BRN	0.375	0.125	BRNI125-0375	P06150
BRS	0.375	0.125	BRSI1250375	R45420
CFW	0.375	0.125	CFWI125-0375	CFWS21
BFW	0.500	0.062	BFWI062-0500	BFWS63
BRN	0.500	0.062	BRNI062-0500	P06121
BRN	0.500	0.093	BRNI093-0500	P06136
BFW	0.500	0.125	BFWI125-0500	BFWS22
BRN	0.500	0.125	BRNI125-0500	P06151
CFW	0.500	0.125	CFWI125-0500	CFWS22
BRN	0.625	0.031	BRNI031-0625	P06107
BFW	0.625	0.125	BFWI125-0625	BFWS23
BRN	0.625	0.125	BRNI125-0625	P06152
BRS	0.625	0.125	BRSI1250625	R86934
BFW	0.750	0.062	BFWI062-0750	BFWS42
BFW	0.750	0.125	BFWI125-0750	BFWS24
BRN	0.750	0.125	BRNI125-0750	P06153
BRS	0.750	0.125	BRSI1250750	R45418
CFW	0.750	0.125	CFWI125-0750	CFWS24
BRN	0.875	0.125	BRNI125-0875	P06154
BRN	1.000	0.062	BRNI062-1000	P06125
BFW	1.000	0.125	BFWI125-1000	BFWS25
BRN	1.000	0.125	BRNI125-1000	P06155
BRS	1.000	0.125	BRSI1251000	BFWS57
BRS	1.000	0.125	BRSI1251000-1	R46743
BRS	1.000	0.125	BRSI1251000-2	R45417
CFW	1.000	0.125	CFWI125-1000	CFWS25
BRN	1.250	0.062	BRNI062-1250	P06126
BRN	1.250	0.125	BRNI125-1250	P06156
BRN	1.500	0.062	BRNI062-1500	P06127
BFW	1.500	0.125	BFWI125-1500	BFWS54
BRN	1.500	0.125	BRNI125-1500	P06157
CFW	1.500	0.125	CFWI125-1500	CFWS55
BRN	1.750	0.062	BRNI062-1750	P06128
BRN	1.750	0.125	BRNI125-1750	P06158
BFW	2.000	0.125	BFWI125-2000	BFWS26
BRN	2.000	0.125	BRNI125-2000	P06159
CFW	2.000	0.125	CFWI125-2000	CFWS26
BRN	2.500	0.125	BRNI125-2500	P06160
BRN	3.000	0.125	BRNI125-3000	P06161



SORT CODE	HOUSING DIMENSIONS		REFERENCE	ALTERNATIVE REFERENCE NUMBER
	L1	S		
BRN	4.000	0.031	BRNI031-4000	P06118
BRN	4.000	0.062	BRNI062-4000	P06133
BRN	4.000	0.093	BRNI093-4000	P06148
BRN	4.000	0.125	BRNI125-4000	P06163



O-RINGS



TECHNICAL SPECIFICATIONS

SURFACE FINISH	
DYNAMIC SEALING SURFACE	0.4 $\mu\text{m Ra}$
STATIC SEALING SURFACE, FACE	0.8 $\mu\text{m Ra}$

DESIGN

Design

- Full range of imperial o-rings conforming to BS1806, AS568, AN6227 and AN6230
- Comprehensive metric range conforming to British Standard BS4518, Japanese Standard JISB2401, and German Standard DIN3770

MATERIAL

Standard off the shelf compounds include :

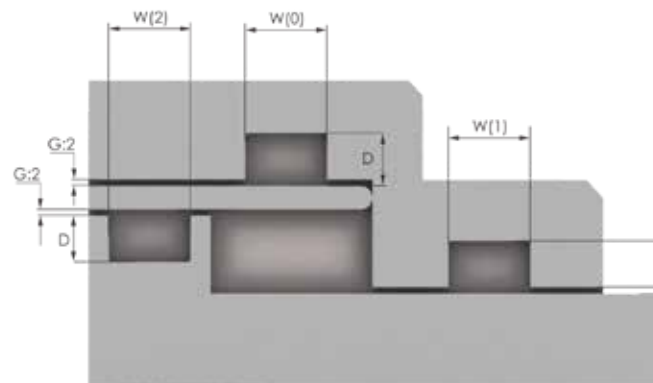
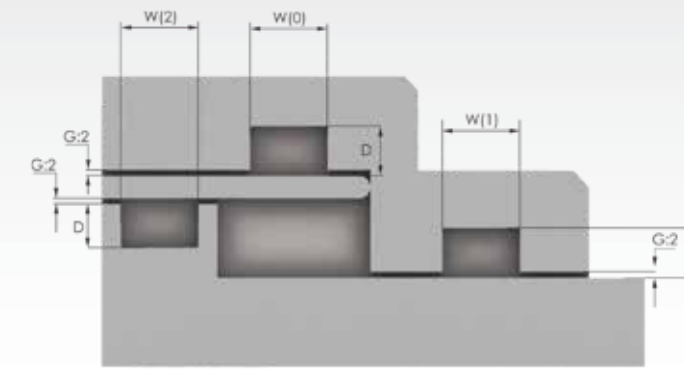
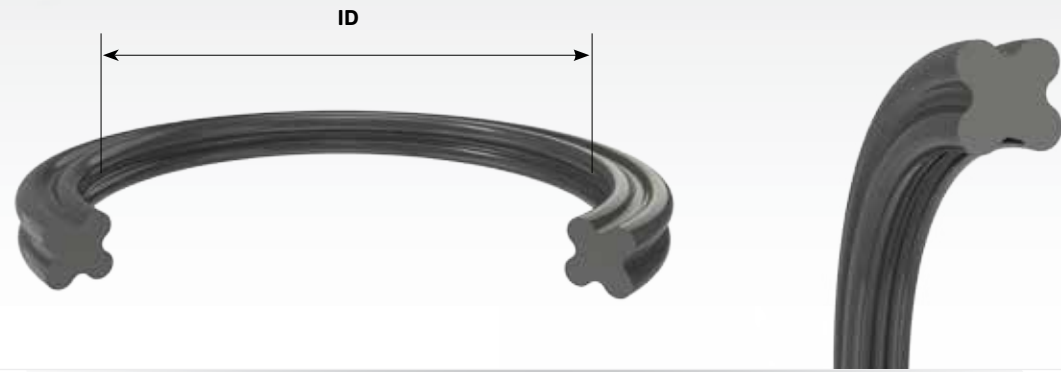
- Nitrile 70
- Nitrile 90
- FKM 75
- EPDM 70
- Silicone 70

Comprehensive range available in a variety of compounds and hardnesses. For more information on our range please contact your Ludowici Representative:

- Neoprene
- FFKM
- Food grade materials

APPLICATION

- Static applications
- Dynamic reciprocating applications
- Rotary applications



TECHNICAL SPECIFICATIONS

SURFACE FINISH	
DYNAMIC SEALING SURFACE	0.4 $\mu\text{m Ra}$
STATIC SEALING SURFACE, FACE	0.8 $\mu\text{m Ra}$

DESIGN

- Design
- Four lobed toroidal ring.
 - Low compression set material.
 - Full range of imperial x-rings conforming to BS1806.

MATERIAL

- Comprehensive range available in a variety of compounds and hardnesses.

Standard off the shelf compounds include:

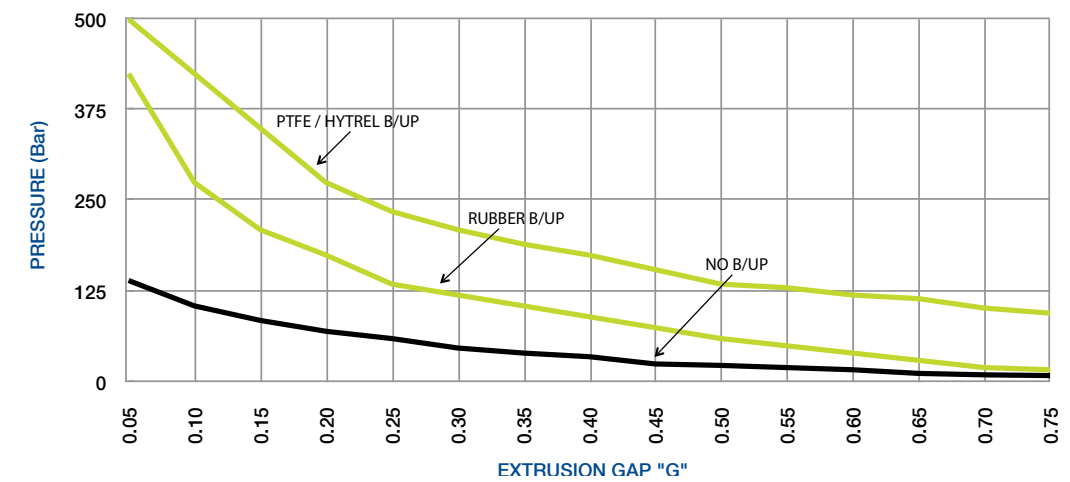
- Nitrile 70
- Nitrile 90
- FKM 75
- EPDM 70
- Silicone 70

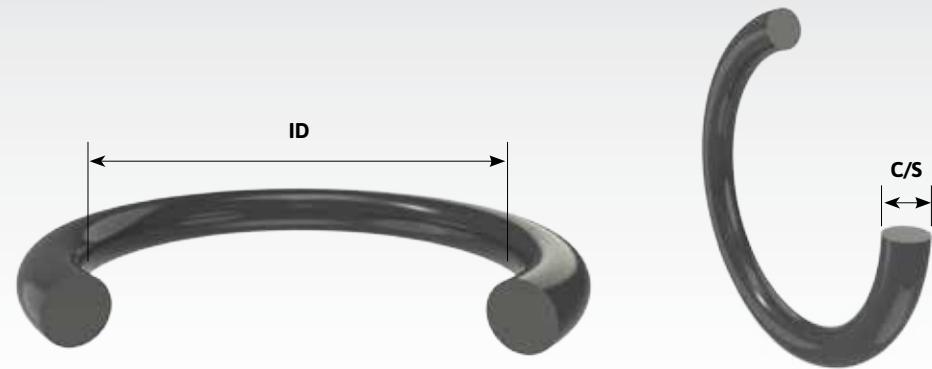
APPLICATION

- Dynamic applications
- Static applications.



O-RING	DYNAMIC		STATIC		NO BU	1X BU	2 X BU	TRIANGULAR	Tol
	C.S	D	D	Tol					
1.0	0.90	+0.00 - 0.05	0.80	+0.00 - 0.05	1.30	-	-	1.40	+0.05 - 0.00
1.2	1.08		0.96		1.56	-	-	1.60	
1.5	1.35		1.20		1.95	-	-	2.00	
1.9	1.72		1.53		2.57	4.10	6.00	2.65	
2.0	1.80		1.60		2.60	4.10	5.50	2.70	
2.4	2.16	+0.06 - 0.06	1.92	+0.10 - 0.10	3.12	4.60	6.00	3.20	+0.10 - 0.00
2.5	2.25		2.00		3.25	4.80	6.20	3.40	
2.7	2.41		2.13		3.50	4.80	6.50	3.65	
3.0	2.70		2.40		3.90	5.40	6.80	4.00	
3.1	2.75		2.42		4.00	5.50	6.90	4.10	
3.5	3.15	+0.10 - 0.10	2.80	+0.15 - 0.15	4.55	6.10	7.50	4.80	+0.10 - 0.00
4.0	3.60		3.20		5.20	6.70	8.10	5.40	
5.0	4.50		4.00		6.50	8.40	10.20	6.70	
5.7	5.18		4.60		7.47	9.30	11.10	7.70	
6.0	5.40		4.80		7.80	9.90	12.30	8.00	
8.4	7.65		6.80		11.05	13.20	15.40	11.40	



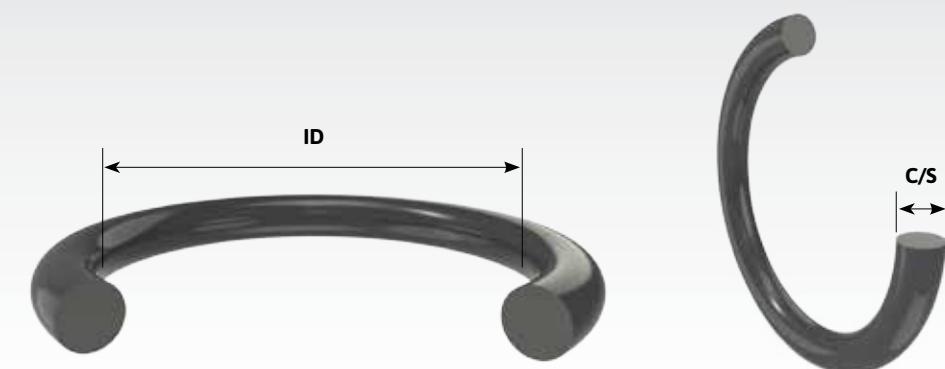


VITON
75 DURO (Brown)



VITON
75 DURO (Black)

ID	C/S	PART N°	PART N°
2.00	1.00	V75M-0020010BR	V75M-0020010BL
2.00	1.50	V75M-0020015BR	V75M-0020015BL
2.50	1.00	V75M-0025010BR	
3.00	1.00	V75M-0030010BR	V75M-0030010BL
3.50	1.50	V75M-0035015BR	V75M-0035015BL
4.00	1.00	V75M-0040010BR	V75M-0040010BL
4.00	1.20	V75M-0040012BR	V75M-0040012BL
4.00	1.50		
4.50	1.50	V75M-0045015BR	V75M-0045015BL
4.80	1.90	V75M-P005BR	V75M-P005BL
5.00	1.00	V75M-0050010BR	V75M-0050010BL
5.00	1.50	V75M-0050015BR	V75M-0050015BL
5.80	1.90		
6.00	1.00	V75M-0060010BR	V75M-0060010BL
6.00	2.00		
6.80	1.90		
7.00	1.00	V75M-0070010BR	V75M-0070010BL
7.00	1.50	V75M-0070015BR	V75M-0070015BL
7.00	3.00	V75M-0070030BR	V75M-0070030BL
7.50	1.50	V75M-0075015BR	V75M-0075015BL
7.80	1.90	V75M-P008BR	V75M-P008BL
8.00	1.50	V75M-0080015BR	V75M-0080015BL
8.80	1.90	V75M-P009BR	V75M-P009BL
9.00	1.00	V75M-0090010BR	V75M-0090010BL
9.00	1.50	V75M-0090015BR	V75M-0090015BL
9.00	2.00		
9.00	2.50		
9.80	1.90		
9.80	2.40		
10.00	1.00	V75M-0100010BR	V75M-0100010BL
10.00	2.00		
10.00	2.50		
10.80	2.40		
11.00	1.00	V75M-0110010BR	V75M-0110010BL
11.00	1.50		
11.00	2.40		
11.50	1.50		
11.60	2.40	V75M-0116024BR	V75M-0116024BL
11.80	2.40		
12.00	1.00	V75M-0120010BR	V75M-0120010BL
12.00	1.50		
12.00	2.00		
12.00	2.50		

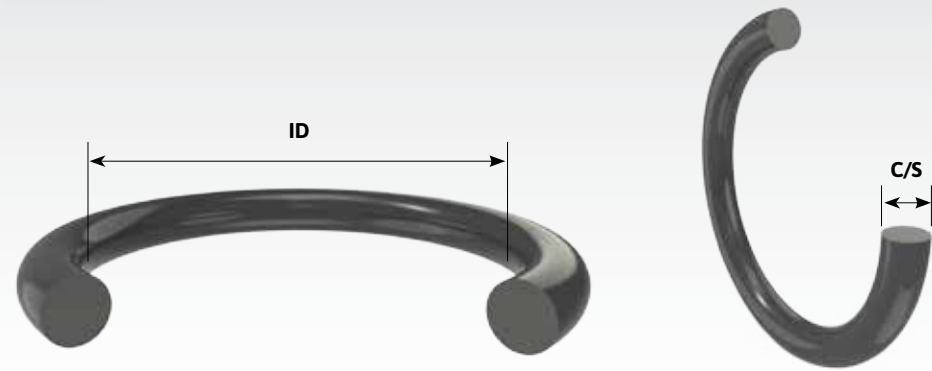


VITON
75 DURO (Brown)



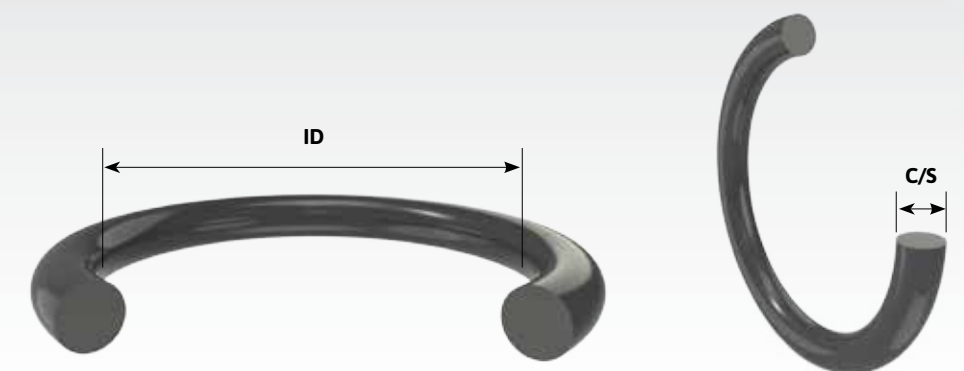
VITON
75 DURO (Black)

ID	C/S	PART N°	PART N°
12.30	2.40		
13.00	1.00	V75M-0130010BR	V75M-0130010BL
13.00	1.50		
13.00	2.50		
13.80	2.40		
14.00	1.00	V75M-0140010BR	V75M-0140010BL
14.00	2.00		
14.00	2.50		
14.80	2.40		
15.00	1.00	V75M-0150010BR	V75M-0150010BL
15.00	1.50		
15.00	2.00		
15.00	2.50		
15.00	3.00		
15.80	2.40	V75M-P016BR	V75M-P016BL
16.00	2.50		
17.00	2.00		
17.00	2.50	V75M-0170025BR	V75M-0170025BL
17.80	2.40		
18.00	2.50		
19.00	1.00	V75M-0190010BR	V75M-0190010BL
19.00	2.00		
19.00	2.50		
19.80	2.40		
20.00	2.00		
20.80	2.40		
21.00	2.50	V75M-0210025BR	V75M-0210025BL
21.70	3.50		
21.80	2.40	V75M-P022BR	V75M-P022BL
22.00	1.00	V75M-0220010BR	V75M-0220010BL
22.00	2.00	V75M-0220020BR	V75M-0220020BL
22.00	2.50	V75M-0220025BR	V75M-0220025BL
22.00	3.00		
23.00	1.00	V75M-0230010BR	V75M-0230010BL
23.00	2.00	V75M-0230020BR	V75M-0230020BL
23.00	2.50		
23.00	3.00		
23.00	3.50		
23.00	4.00	V75M-0230040BR	V75M-0230040BL
23.70	3.50		
24.00	2.00	V75M-0240020BR	V75M-0240020BL
24.00	2.50		
24.00	3.00		



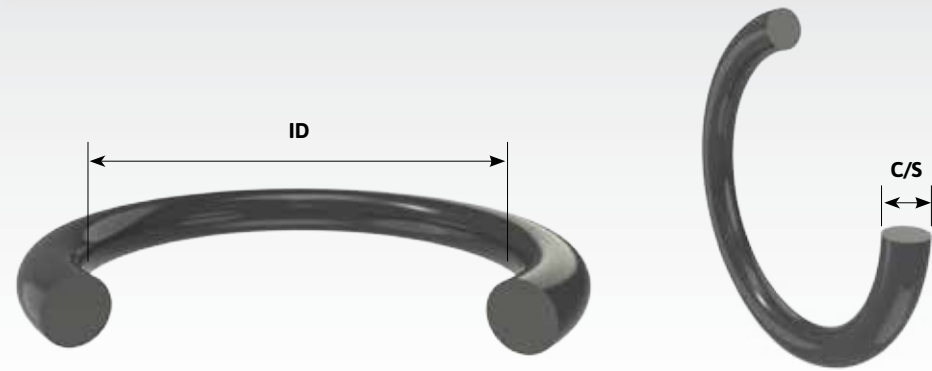
VITON 75 DURO (Brown) VITON 75 DURO (Black)

ID	C/S	PART N°	PART N°
24.00	6.00	V75M-0240060BR	V75M-0240060BL
24.40	3.10		
24.70	3.50		
25.00	1.00	V75M-0250010BR	V75M-0250010BL
25.00	2.00		
25.00	6.00	V75M-0250060BR	
25.20	3.50		
25.70	3.50		
26.00	2.00	V75M-0260020BR	V75M-0260020BL
27.00	2.00	V75M-0270020BR	V75M-0270020BL
27.00	3.00		
27.00	4.00	V75M-0270040BR	V75M-0270040BL
27.70	3.50		
28.00	2.00	V75M-0280020BR	V75M-0280020BL
29.00	2.00	V75M-0290020BR	V75M-0290020BL
29.40	3.10		
29.70	3.50		
30.00	2.00	V75M-0300020BR	V75M-0300020BL
30.00	3.00		
31.00	5.00	V75M-0310050BR	V75M-0310050BL
31.70	3.50		
32.00	2.00	V75M-0320020BR	V75M-0320020BL
32.00	4.00	V75M-0320040BR	V75M-0320040BL
33.00	2.00	V75M-0330020BR	V75M-0330020BL
33.00	4.00	V75M-0330040BR	V75M-0330040BL
33.70	3.50		
34.00	2.00	V75M-0340020BR	V75M-0340020BL
34.00	2.50	V75M-0340025BR	V75M-0340025BL
34.00	6.00	V75M-0340060BR	V75M-0340060BL
34.40	3.10		
34.70	3.50		
35.00	2.00	V75M-0350020BR	V75M-0350020BL
35.00	5.00	V75M-0350050BR	V75M-0350050BL
36.00	2.00	V75M-0360020BR	V75M-0360020BL
36.00	5.00	V75M-0360050BR	V75M-0360050BL
37.00	6.00	V75M-0370060BR	V75M-0370060BL
37.70	3.50		
38.00	3.00		
38.70	3.50		
39.00	3.00		
39.20	3.00		
39.40	3.10		
39.70	3.50		



VITON 75 DURO (Brown) VITON 75 DURO (Black)

ID	C/S	PART N°	PART N°
40.00	4.00	V75M-0400040BR	V75M-0400040BL
40.00	6.00	V75M-0400060BR	
41.00	6.00	V75M-0410060BR	V75M-0410060BL
41.70	3.50		
42.00	2.50	V75M-0420025BR	V75M-0420025BL
42.00	4.00	V75M-0420040BR	V75M-0420040BL
43.00	2.00	V75M-0430020BR	V75M-0430020BL
43.00	2.50	V75M-0430025BR	V75M-0430025BL
43.00	3.00		
44.00	2.00	V75M-0440020BR	V75M-0440020BL
44.00	2.50	V75M-0440025BR	V75M-0440025BL
44.00	3.00	V75M-0440030BR	V75M-0440030BL
44.40	3.10		
44.50	3.00	V75M-0445030BR	V75M-0445030BL
44.70	3.50		
45.00	3.00		
45.00	6.00	V75M-0450060BR	V75M-0450060BL
46.00	2.00	V75M-0460020BR	V75M-0460020BL
46.00	3.00	V75M-0460030BR	V75M-0460030BL
46.00	4.00	V75M-0460040BR	V75M-0460040BL
47.00	2.00	V75M-0470020BR	V75M-0470020BL
47.00	2.50	V75M-0470025BR	V75M-0470025BL
47.00	3.00	V75M-0470030BR	V75M-0470030BL
47.00	4.00	V75M-0470040BR	V75M-0470040BL
47.60	2.40		
47.70	3.50		
48.00	2.00	V75M-0480020BR	V75M-0480020BL
48.00	6.00	V75M-0480060BR	
49.00	2.00	V75M-0490020BR	V75M-0490020BL
49.00	3.00	V75M-0490030BR	V75M-0490030BL
50.00	2.00	V75M-0500020BR	V75M-0500020BL
50.00	2.50	V75M-0500025BR	V75M-0500025BL
50.00	3.00	V75M-0500030BR	V75M-0500030BL
50.00	5.00	V75M-0500050BR	V75M-0500050BL
50.00	6.00	V75M-0500060BR	V75M-0500060BL
51.00	2.00	V75M-0510020BR	V75M-0510020BL
51.00	3.00	V75M-0510030BR	V75M-0510030BL
52.00	2.00	V75M-0520020BR	V75M-0520020BL
52.00	2.50		
52.00	3.00		
53.00	2.00	V75M-0530020BR	V75M-0530020BL
54.00	3.00	V75M-0540030BR	V75M-0540030BL
54.00	5.00	V75M-0540050BR	V75M-0540050BL

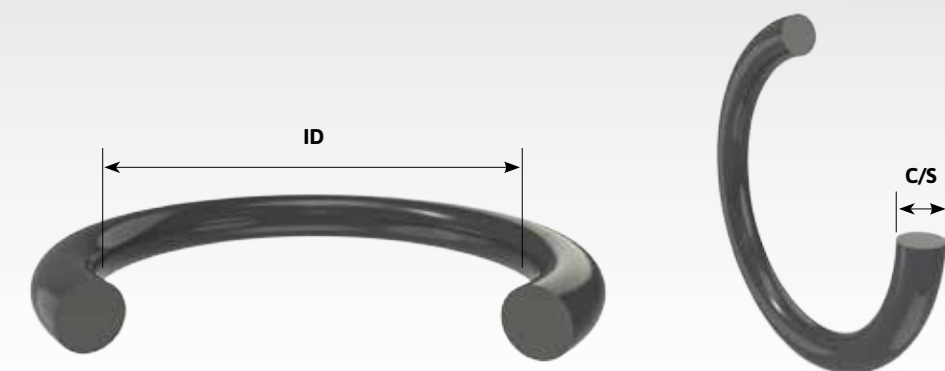


VITON
75 DURO (Brown)



VITON
75 DURO (Black)

ID	C/S	PART N°	PART N°
55.00	3.00		
55.00	6.00	V75M-0550060BR	V75M-0550060BL
56.00	5.00	V75M-0560050BR	V75M-0560050BL
57.00	2.00	V75M-0570020BR	V75M-0570020BL
57.00	3.00	V75M-0570030BR	V75M-0570030BL
58.00	2.00	V75M-0580020BR	V75M-0580020BL
58.00	2.50	V75M-0580025BR	V75M-0580025BL
58.00	3.00	V75M-0580030BR	V75M-0580030BL
58.00	6.00	V75M-0580060BR	V75M-0580060BL
59.00	2.50	V75M-0590025BR	V75M-0590025BL
59.00	3.00	V75M-0590030BR	V75M-0590030BL
59.40	3.10		
60.00	2.50	V75M-0600025BR	V75M-0600025BL
60.00	5.00	V75M-0600050BR	V75M-0600050BL
60.00	6.00	V75M-0600060BR	V75M-0600060BL
61.00	3.00	V75M-0610030BR	V75M-0610030BL
62.30	5.70		
63.00	3.00	V75M-0630030BR	V75M-0630030BL
64.00	2.50	V75M-0640025BR	V75M-0640025BL
64.00	3.00	V75M-0640030BR	V75M-0640030BL
64.40	3.10		
64.60	5.70		
65.00	3.00	V75M-0650030BR	V75M-0650030BL
65.00	6.00	V75M-0650060BR	V75M-0650060BL
67.00	2.50	V75M-0670025BR	V75M-0670025BL
68.00	3.00	V75M-0680030BR	V75M-0680030BL
68.00	5.00	V75M-0680050BR	V75M-0680050BL
69.00	2.50	V75M-0690025BR	V75M-0690025BL
69.00	3.00	V75M-0690030BR	V75M-0690030BL
69.40	3.10		
70.00	3.00	V75M-0700030BR	V75M-0700030BL
70.00	6.00	V75M-0700060BR	V75M-0700060BL
70.60	5.70		
71.00	3.00	V75M-0710030BR	V75M-0710030BL
72.00	2.00		
72.00	2.50	V75M-0720025BR	V75M-0720025BL
72.00	3.00	V75M-0720030BR	V75M-0720030BL
72.00	6.00	V75M-0720060BR	V75M-0720060BL
73.00	3.00	V75M-0730030BR	V75M-0730030BL
74.00	3.00	V75M-0740030BR	V75M-0740030BL
74.40	3.10		
74.50	3.00	V75M-0745030BR	V75M-0745030BL

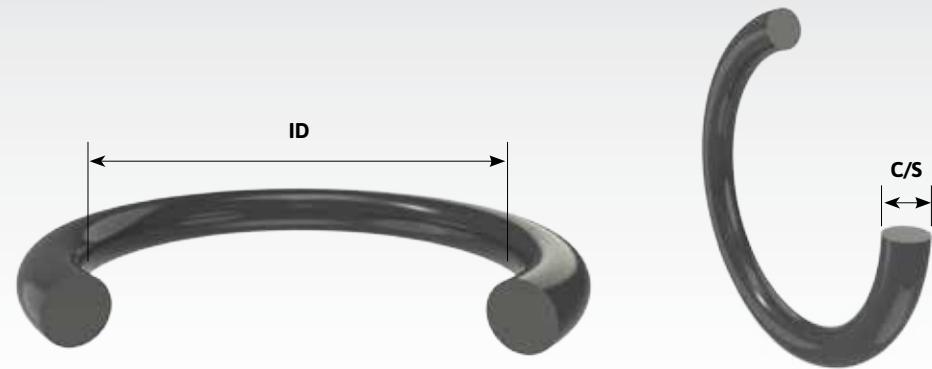


VITON
75 DURO (Brown)



VITON
75 DURO (Black)

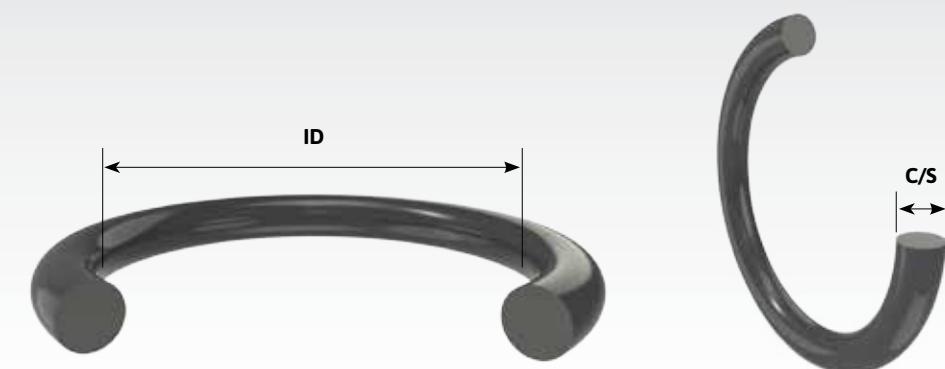
ID	C/S	PART N°	PART N°
75.00	2.50	V75M-0750025BR	V75M-0750025BL
75.00	3.00	V75M-0750030BR	V75M-0750030BL
75.00	6.00	V75M-0750060BR	V75M-0750060BL
78.00	2.50	V75M-0780025BR	V75M-0780025BL
78.00	3.00	V75M-0780030BR	V75M-0780030BL
79.00	3.00	V75M-0790030BR	V75M-0790030BL
79.60	5.70		
80.00	2.00		
80.00	2.50		
80.00	3.00	V75M-0800030BR	V75M-0800030BL
80.00	6.00	V75M-0800060BR	V75M-0800060BL
81.00	3.00	V75M-0810030BR	V75M-0810030BL
83.00	2.00		
83.00	3.00	V75M-0830030BR	V75M-0830030BL
84.00	2.00		
84.00	3.00	V75M-0840030BR	V75M-0840030BL
84.40	3.10		
85.00	1.50		V75M-0850015BL
85.00	2.50		
85.00	3.00	V75M-0850030BR	V75M-0850030BL
85.00	6.00	V75M-0850060BR	V75M-0850060BL
86.00	2.00	V75M-0860020BR	V75M-0860020BL
86.00	3.00	V75M-0860030BR	V75M-0860030BL
87.00	3.00	V75M-0870030BR	V75M-0870030BL
88.00	3.00	V75M-0880030BR	V75M-0880030BL
88.00	6.00	V75M-0880060BR	
89.40	3.10		
90.00	3.00	V75M-0900030BR	V75M-0900030BL
90.00	6.00	V75M-0900060BR	V75M-0900060BL
91.00	3.00	V75M-0910030BR	V75M-0910030BL
92.00	3.00	V75M-0920030BR	V75M-0920030BL
94.00	5.00	V75M-0940050BR	V75M-0940050BL
94.40	3.10		
94.50	3.00	V75M-0945030BR	V75M-0945030BL
95.00	5.00	V75M-0950050BR	V75M-0950050BL
95.00	6.00	V75M-0950060BR	V75M-0950060BL
96.00	5.00	V75M-0960050BR	V75M-0960050BL
99.00	5.00	V75M-0990050BR	V75M-0990050BL
99.40	3.10		
99.60	5.70		
100.00	6.00	V75M-1000060BR	V75M-1000060BL
104.40	3.10		



VITON 75 DURO (Brown)

VITON 75 DURO (Black)

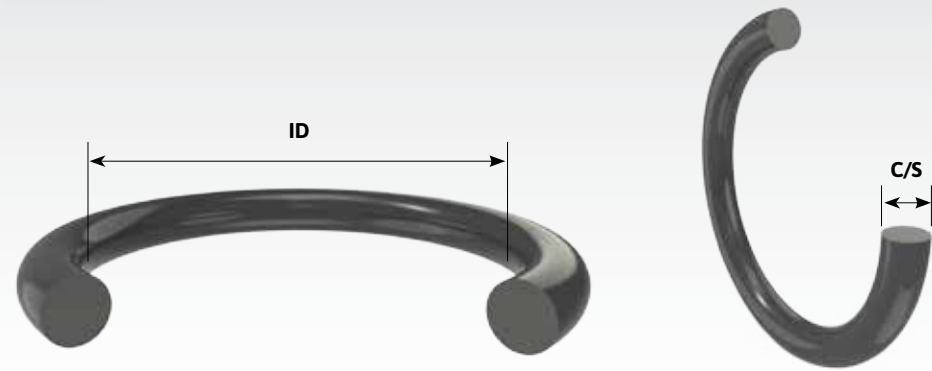
ID	C/S	PART N°	PART N°
105.00	5.00	V75M-1050050BR	V75M-1050050BL
105.00	6.00	V75M-1050060BR	V75M-1050060BL
107.00	3.00	V75M-1070030BR	V75M-1070030BL
109.40	3.10		
110.00	3.00	V75M-1100030BR	V75M-1100030BL
110.00	6.00	V75M-1100060BR	V75M-1100060BL
112.00	3.00	V75M-1120030BR	V75M-1120030BL
113.00	2.50		
114.00	3.00	V75M-1140030BR	V75M-1140030BL
115.00	6.00	V75M-1150060BR	V75M-1150060BL
117.00	4.00		
118.00	6.00	V75M-1180060BR	V75M-1180060BL
119.00	3.00	V75M-1190030BR	V75M-1190030BL
119.40	3.10		
120.00	3.00	V75M-1200030BR	V75M-1200030BL
120.00	6.00	V75M-1200060BR	V75M-1200060BL
124.00	3.00	V75M-1240030BR	V75M-1240030BL
124.40	3.10		
125.00	6.00	V75M-1250060BR	V75M-1250060BL
126.00	4.00		
129.40	3.10		
129.50	3.00	V75M-1295030BR	
130.00	6.00	V75M-1300060BR	V75M-1300060BL
135.00	2.50		V75M-1350025BL
135.00	3.00	V75M-1350030BR	V75M-1350030BL
135.00	6.00	V75M-1350060BR	V75M-1350060BL
136.00	6.00	V75M-1360060BR	V75M-1360060BL
140.00	4.00		
140.00	6.00	V75M-1400060BR	V75M-1400060BL
142.00	6.00		V75M-1420060BL
144.40	3.10		
145.00	3.00	V75M-1450030BR	V75M-1450030BL
145.00	6.00	V75M-1450060BR	V75M-1450060BL
149.50	8.40	V75M-P150ABR	V75M-P150ABL
150.00	3.00		
150.00	4.00		
150.00	6.00	V75M-1500060BR	V75M-1500060BL
154.50	8.40		V75M-1545084BL
155.00	3.00	V75M-1550030BR	V75M-1550030BL
158.00	3.00		
159.50	8.40	V75M-P160BR	V75M-P160BL
160.00	3.00		
163.00	3.00	V75M-1630030BR	



VITON 75 DURO (Brown)

VITON 75 DURO (Black)

ID	C/S	PART N°	PART N°
164.50	8.40	V75M-P165BR	V75M-P165BL
165.00	3.00		
166.00	3.00	V75M-1660030BR	V75M-1660030BL
169.50	8.40	V75M-P170BR	V75M-P170BL
170.00	3.00	V75M-1700030BR	V75M-1700030BL
174.30	5.70		
174.50	8.40	V75M-P175BR	V75M-P175BL
175.00	3.00		V75M-1750030BL
179.30	5.70		
179.50	8.40	V75M-P180BR	V75M-P180BL
180.00	4.00		
180.00	6.00	V75M-1800060BR	V75M-1800060BL
184.30	5.70		
184.50	8.40	V75M-P185BR	V75M-P185BL
185.00	3.00		
189.50	8.40	V75M-P190BR	V75M-P190BL
190.00	3.00		
192.00	4.00		
194.50	8.40	V75M-P195BR	V75M-P195BL
195.00	2.50		
195.00	3.00		
199.30	5.70		
199.50	8.40	V75M-P200BR	V75M-P200BL
200.00	5.00		
204.50	8.40	V75M-P205BR	V75M-P205BL
209.50	8.40	V75M-P210BR	V75M-P210BL
210.00	3.00	V75M-2100030BR	V75M-2100030BL
214.50	8.40	V75M-P215BR	V75M-P215BL
215.00	3.00		
219.50	8.40	V75M-P220BR	V75M-P220BL
224.50	8.40	V75M-P225BR	V75M-P225BL
229.30	5.70		
229.50	8.40	V75M-P230BR	V75M-P230BL
230.00	5.00		
234.50	8.40	V75M-P235BR	V75M-P235BL
235.00	3.00		
239.50	8.40	V75M-P240BR	V75M-P240BL
240.00	3.00		
244.50	8.40	V75M-P245BR	V75M-P245BL
245.00	3.00		
249.50	8.40	V75M-P250BR	V75M-P250BL
254.50	8.40	V75M-P255BR	V75M-P255BL
259.50	8.40	V75M-P260BR	V75M-P260BL

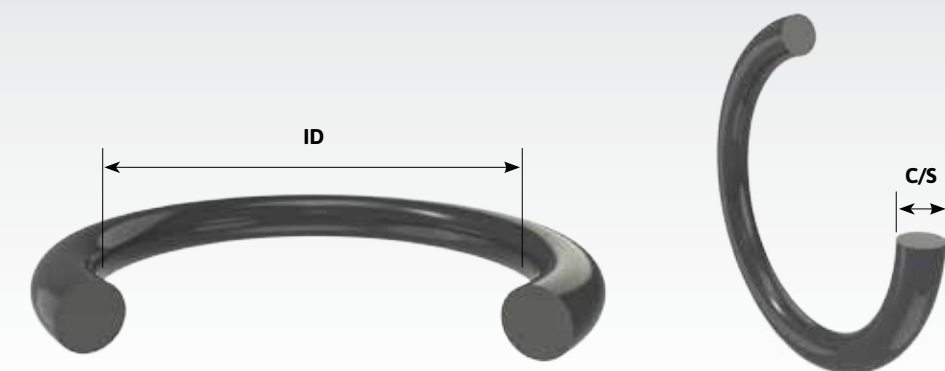


VITON
75 DURO (Brown)



VITON
75 DURO (Black)

ID	C/S	PART N°	PART N°
260.00	3.00		
264.50	8.40	V75M-P265BR	V75M-P265BL
265.00	3.00		
269.50	8.40	V75M-P270BR	V75M-P270BL
270.00	3.00		
274.50	8.40	V75M-P275BR	V75M-P275BL
275.00	3.00		
279.50	8.40	V75M-P280BR	V75M-P280BL
284.50	8.40	V75M-P285BR	V75M-P285BL
289.50	8.40	V75M-P290BR	V75M-P290BL
294.50	8.40	V75M-P295BR	V75M-P295BL
299.50	8.40	V75M-P300BR	V75M-P300BL
305.00	4.00		
310.00	4.00		
310.00	5.00		
314.50	8.40	V75M-P315BR	V75M-P315BL
319.50	8.40	V75M-P320BR	V75M-P320BL
334.50	8.40	V75M-P335BR	V75M-P335BL
339.50	8.40	V75M-P340BR	V75M-P340BL
354.50	8.40	V75M-P355BR	V75M-P355BL
359.50	8.40	V75M-P360BR	V75M-P360BL
374.50	8.40	V75M-P375BR	V75M-P375BL
379.30	5.70	V75M-G380BR	V75M-G380BL
384.50	8.40	V75M-P385BR	V75M-P385BL
399.30	5.70	V75M-G400BR	V75M-G400BL
399.50	8.40	V75M-P400BR	V75M-P400BL
419.30	5.70	V75M-G420BR	V75M-G420BL
439.30	5.70	V75M-G440BR	V75M-G440BL
459.30	5.70	V75M-G460BR	V75M-G460BL
479.30	5.70	V75M-G480BR	V75M-G480BL
499.30	5.70	V75M-G500BR	V75M-G500BL



VITON
90 DURO (Brown)

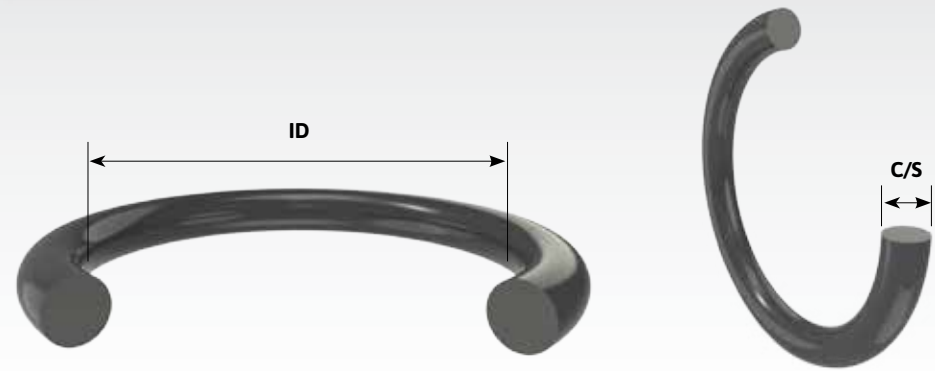


VITON
90 DURO (Black)



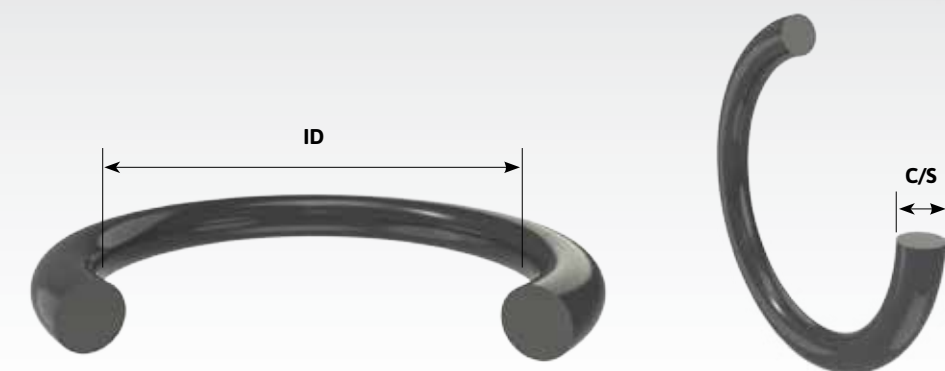
VITON
90 DURO (Green)

ID	C/S	PART N°	PART N°	PART N°
2.00	1.00	V90M-0020010BR	V90M-0020010BL	
2.00	1.50			
2.50	1.00			
3.00	1.00			
3.50	1.50			
4.00	1.00			
4.00	1.20			
4.00	1.50			V90M-0040015GR
4.50	1.50			
4.80	1.90			V90M-P005GR
5.00	1.00			
5.00	1.50			
5.80	1.90		V90M-P006BL	V90M-P006GR
6.00	1.00			
6.00	2.00			V90M-0060020GR
6.80	1.90			V90M-P007GR
7.00	1.00			
7.00	1.50			
7.00	3.00			
7.50	1.50			
7.80	1.90			
8.00	1.50			
8.80	1.90	V90M-P009		V90M-P009GR
9.00	1.00			
9.00	1.50			
9.00	2.00			V90M-0090020GR
9.00	2.50			V90M-0090025GR
9.80	1.90		V90M-P010BL	V90M-P010GR
9.80	2.40	V90M-P010A	V90M-P010ABL	
10.00	1.00			
10.00	2.00			V90M-0100020GR
10.00	2.50			V90M-0100025GR
10.80	2.40		V90M-P011BL	V90M-P011GR
11.00	1.00			
11.00	1.50			V90M-0110015GR
11.00	2.40		V90M-P011.2BL	V90M-P011.2GR
11.50	1.50			V90M-0115015GR
11.60	2.40			
11.80	2.40	V90M-P012	V90M-P012BL	V90M-P012GR
12.00	1.00			
12.00	1.50			V90M-0120015GR
12.00	2.00			V90M-0120020GR
12.00	2.50			V90M-0120025GR



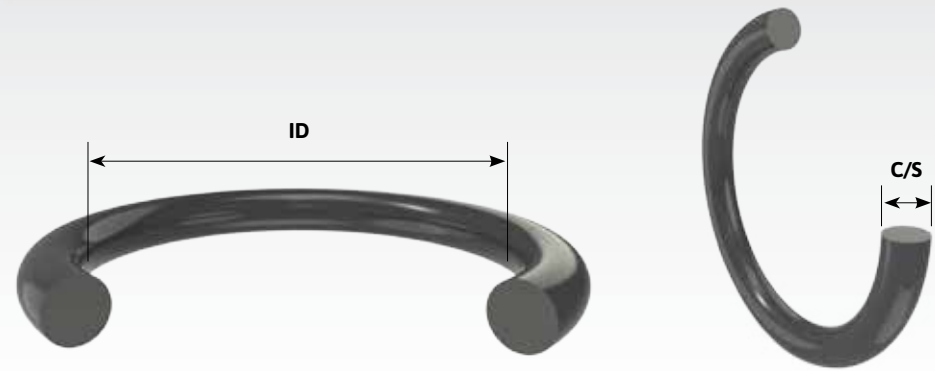
VITON 90 DURO (Brown) VITON 90 DURO (Black) VITON 90 DURO (Green)

ID	C/S	PART N°	PART N°	PART N°
12.30	2.40			V90M-P012.5GR
13.00	1.00			
13.00	1.50		V90M-0130015BL	
13.00	2.50			V90M-0130025GR
13.80	2.40		V90M-P014BL	V90M-P014GR
14.00	1.00			
14.00	2.00			V90M-0140020GR
14.00	2.50			V90M-0140025GR
14.80	2.40	V90M-P015BR		V90M-P015GR
15.00	1.00			
15.00	1.50			V90M-0150015GR
15.00	2.00			V90M-0150020GR
15.00	2.50			V90M-0150025GR
15.00	3.00			
15.80	2.40	V90M-P016BR	V90M-P016BL	V90M-P016GR
16.00	2.50			V90M-0160025GR
17.00	2.00			V90M-0170020GR
17.00	2.50			V90M-0170025GR
17.80	2.40	V90M-P018	V90M-P018BL	V90M-P018GR
18.00	2.50			V90M-0180025GR
19.00	1.00			
19.00	2.00			V90M-0190020GR
19.00	2.50			V90M-0190025GR
19.80	2.40		V90M-P020BL	V90M-P020GR
20.00	2.00		V90M-0200020BL	V90M-0200020GR
20.80	2.40	V90M-P021BR	V90M-P021BL	V90M-P021GR
21.00	2.50			
21.70	3.50	V90M-P022A	V90M-P022ABL	
21.80	2.40		V90M-P022BL	V90M-P022GR
22.00	1.00			
22.00	2.00			
22.00	2.50			
22.00	3.00			V90M-0220030GR
23.00	1.00			
23.00	2.00		V90M-0230020BL	
23.00	2.50			V90M-0230025GR
23.00	3.00			V90M-0230030GR
23.00	3.50			V90M-0230035GR
23.00	4.00			
23.70	3.50		V90M-P024BL	V90M-P024GR
24.00	2.00			V90M-0240020GR
24.00	2.50			V90M-0240025GR
24.00	3.00			V90M-0240030GR



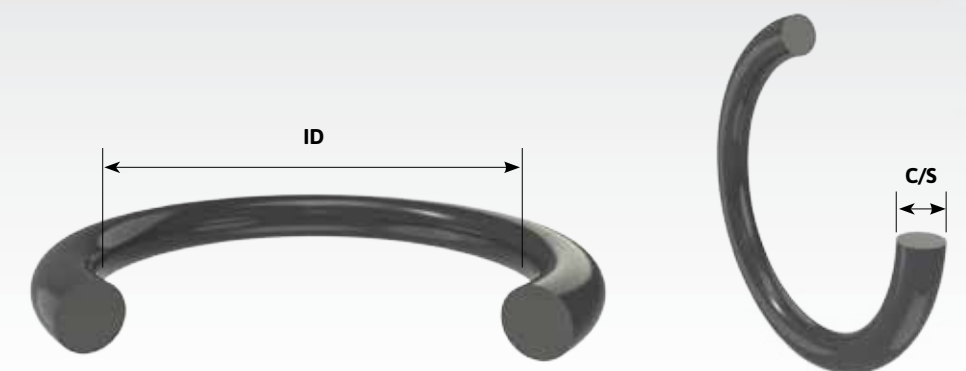
VITON 90 DURO (Brown) VITON 90 DURO (Black) VITON 90 DURO (Green)

ID	C/S	PART N°	PART N°	PART N°
24.00	6.00			
24.40	3.10		V90M-G025BL	V90M-G025GR
24.70	3.50	V90M-P025BR	V90M-P025BL	
25.00	1.00			
25.00	2.00			
25.00	6.00			
25.20	3.50			V90M-P025.5GR
25.70	3.50		V90M-P026BL	V90M-P026GR
26.00	2.00			
27.00	2.00			
27.00	3.00			
27.00	4.00			
27.70	3.50	V90M-P028	V90M-P028BL	
28.00	2.00			
29.00	2.00			
29.40	3.10			V90M-G030GR
29.70	3.50	V90M-P030	V90M-P030BL	V90M-P030GR
30.00	2.00			
30.00	3.00			V90M-0300030GR
31.00	5.00			
31.70	3.50	V90M-P032	V90M-P032BL	
32.00	2.00			
32.00	4.00			
33.00	2.00			
33.00	4.00			
33.70	3.50			V90M-P034GR
34.00	2.00			
34.00	2.50			
34.00	6.00			
34.40	3.10		V90M-G035BL	V90M-G035GR
34.70	3.50	V90M-P035	V90M-P035BL	
35.00	2.00			
35.00	5.00			
36.00	2.00			
36.00	5.00			
37.00	6.00			
37.70	3.50	V90M-P038	V90M-P038BL	V90M-P038GR
38.00	3.00			V90M-0380030GR
38.70	3.50	V90M-P039BR		V90M-P039GR
39.00	3.00			V90M-0390030GR
39.20	3.00			V90M-0392030GR
39.40	3.10		V90M-G040BL	V90M-G040GR
39.70	3.50	V90M-P040	V90M-P040BL	



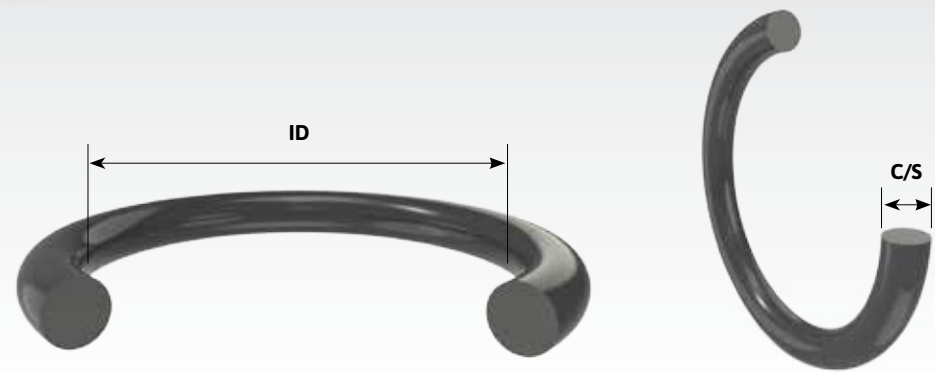
VITON 90 DURO (Brown) VITON 90 DURO (Black) VITON 90 DURO (Green)

ID	C/S	PART N°	PART N°	PART N°
40.00	4.00			
40.00	6.00			
41.00	6.00			
41.70	3.50			V90M-P042GR
42.00	2.50			
42.00	4.00			
43.00	2.00			
43.00	2.50			
43.00	3.00			V90M-0430030GR
44.00	2.00			
44.00	2.50			
44.00	3.00			
44.40	3.10		V90M-G045BL	V90M-G045GR
44.50	3.00			
44.70	3.50	V90M-P045	V90M-P045BL	
45.00	3.00			V90M-0450030GR
45.00	6.00			
46.00	2.00			
46.00	3.00			
46.00	4.00			
47.00	2.00			
47.00	2.50			
47.00	3.00			V90M-0470030GR
47.00	4.00			
47.60	2.40			V90M-0476024GR
47.70	3.50	V90M-P048	V90M-P048BL	
48.00	2.00			
48.00	6.00			
49.00	2.00			
49.00	3.00			V90M-0490030GR
50.00	2.00			
50.00	2.50			
50.00	3.00			
50.00	5.00			
50.00	6.00			
51.00	2.00			
51.00	3.00			
52.00	2.00			
52.00	2.50			V90M-0520025GR
52.00	3.00			V90M-0520030GR
53.00	2.00			
54.00	3.00			
54.00	5.00			



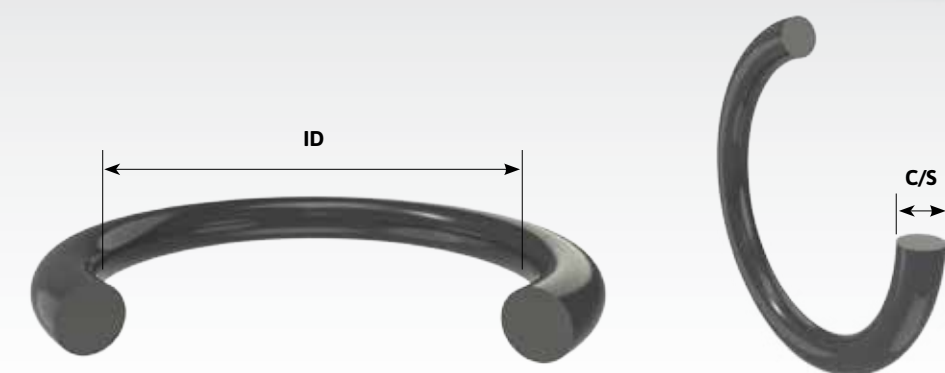
VITON 90 DURO (Brown) VITON 90 DURO (Black) VITON 90 DURO (Green)

ID	C/S	PART N°	PART N°	PART N°
55.00	3.00			V90M-0550030GR
55.00	6.00			
56.00	5.00			
57.00	2.00			
57.00	3.00			
58.00	2.00			
58.00	2.50			
58.00	3.00			
58.00	6.00			
59.00	2.50			
59.00	3.00			
59.40	3.10		V90M-G060BL	V90M-G060GR
60.00	2.50			
60.00	5.00			
60.00	6.00			
61.00	3.00			
62.30	5.70	V90M-P063		
63.00	3.00			
64.00	2.50			
64.00	3.00			
64.40	3.10	V90M-G065BR	V90M-G065BL	V90M-G065GR
64.60	5.70		V90M-P065BL	
65.00	3.00			
65.00	6.00			
67.00	2.50			
68.00	3.00			
68.00	5.00			
69.00	2.50			
69.00	3.00			
69.40	3.10	V90M-G070BR	V90M-G070BL	V90M-G070GR
70.00	3.00			
70.00	6.00			
70.60	5.70	V90M-P071		
71.00	3.00			
72.00	2.00			V90M-0720020GR
72.00	2.50			
72.00	3.00			
72.00	6.00			
73.00	3.00			
74.00	3.00			
74.40	3.10	V90M-G075BR	V90M-G075BL	V90M-G075GR
74.50	3.00			
75.00	2.50			V90M-0750025GR



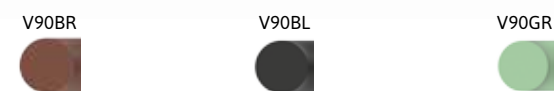
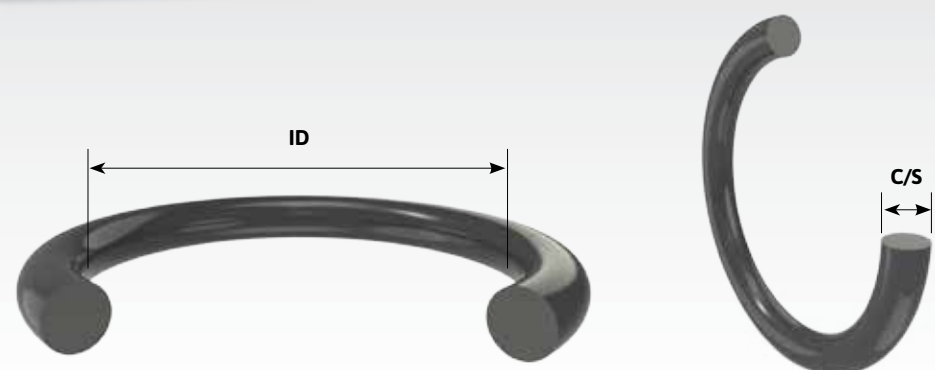
VITON 90 DURO (Brown) VITON 90 DURO (Black) VITON 90 DURO (Green)

ID	C/S	PART N°	PART N°	PART N°
75.00	3.00			
75.00	6.00			
78.00	2.50			
78.00	3.00			
79.00	3.00			
79.60	5.70	V90M-P080		
80.00	2.00			
80.00	2.50			V90M-0800025GR
80.00	3.00			V90M-0800030GR
80.00	6.00			
81.00	3.00			
83.00	2.00			V90M-0830020GR
83.00	3.00			
84.00	2.00			V90M-0840020GR
84.00	3.00			
84.40	3.10	V90M-G085BR	V90M-G085BL	V90M-G085GR
85.00	1.50			
85.00	2.50			V90M-0850025GR
85.00	3.00			
85.00	6.00			
86.00	2.00			
86.00	3.00			
87.00	3.00			
88.00	3.00			
88.00	6.00			
89.40	3.10			V90M-G090GR
90.00	3.00			
90.00	6.00			
91.00	3.00			
92.00	3.00			
94.00	5.00			
94.40	3.10			V90M-G095GR
94.50	3.00			
95.00	5.00			
95.00	6.00			
96.00	5.00			
99.00	5.00			
99.40	3.10			V90M-G100GR
99.60	5.70	V90M-P100		
100.00	6.00			
104.40	3.10			V90M-G105GR
105.00	5.00			
105.00	6.00			



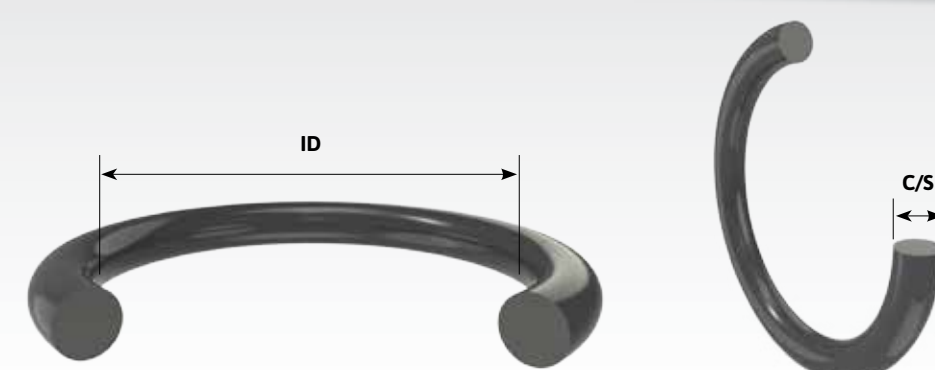
VITON 90 DURO (Brown) VITON 90 DURO (Black) VITON 90 DURO (Green)

ID	C/S	PART N°	PART N°	PART N°
107.00	3.00			
109.40	3.10	V90M-G010BR	V90M-G010BL	
110.00	3.00			
110.00	6.00			
112.00	3.00			
113.00	2.50			V90M-1130025GR
114.00	3.00			
115.00	6.00			
117.00	4.00			V90M-1170040GR
118.00	6.00			
119.00	3.00			
119.40	3.10	V90M-G020BR	V90M-G020BL	
120.00	3.00			
120.00	6.00			
124.00	3.00			
124.40	3.10		V90M-G125BL	V90M-G125GR
125.00	6.00			
126.00	4.00			V90M-1260040GR
129.40	3.10	V90M-G030BR	V90M-G030BL	V90M-G130GR
129.50	3.00			
130.00	6.00			
135.00	2.50			V90M-1350025GR
135.00	3.00			
135.00	6.00			
136.00	6.00			
140.00	4.00			V90M-1400040GR
140.00	6.00			
142.00	6.00			
144.40	3.10			V90M-G145GR
145.00	3.00			
145.00	6.00			
149.50	8.40			
150.00	3.00			V90M-1500030GR
150.00	4.00			V90M-1500040GR
150.00	6.00			
154.50	8.40			
155.00	3.00			V90M-1550030GR
158.00	3.00			
159.50	8.40			
160.00	3.00			V90M-1600030GR
163.00	3.00			
164.50	8.40			
165.00	3.00			V90M-1650030GR



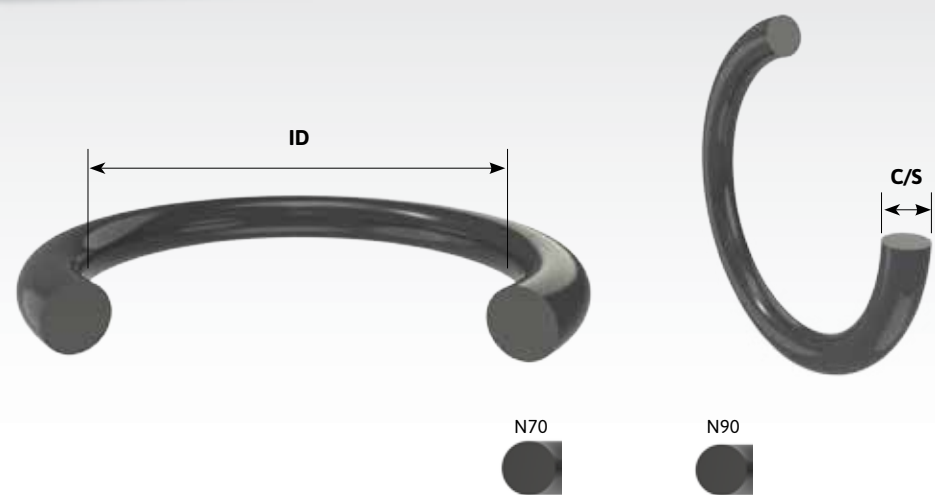
VITON 90 DURO (Brown) VITON 90 DURO (Black) VITON 90 DURO (Green)

ID	C/S	PART N°	PART N°	PART N°
166.00	3.00			V90M-1660030GR
169.50	8.40			
170.00	3.00			V90M-1700030GR
174.30	5.70	V90M-G175BR		
174.50	8.40			
175.00	3.00			
179.30	5.70		V90M-G180BL	
179.50	8.40			
180.00	4.00			V90M-1800040GR
180.00	6.00			
184.30	5.70	V90M-G185BR	V90M-G185BL	
184.50	8.40			
185.00	3.00		V90M-1850030BL	V90M-1850030GR
189.50	8.40			
190.00	3.00			V90M-1900030GR
192.00	4.00			V90M-1920040GR
194.50	8.40			
195.00	2.50			V90M-1950025GR
195.00	3.00		V90M-1950030BL	
199.30	5.70		V90M-G200BL	
199.50	8.40			
200.00	5.00			V90M-2000050GR
204.50	8.40			
209.50	8.40			
210.00	3.00			
214.50	8.40			
215.00	3.00			V90M-2150030GR
219.50	8.40			
224.50	8.40			
229.30	5.70		V90M-G230BL	
229.50	8.40			
230.00	5.00			V90M-2300050GR
234.50	8.40			
235.00	3.00			V90M-2350030GR
239.50	8.40			
240.00	3.00			V90M-2400030GR
244.50	8.40			
245.00	3.00			
249.50	8.40			
254.50	8.40			
259.50	8.40			
260.00	3.00			V90M-2600030GR
264.50	8.40			



VITON 90 DURO (Brown) VITON 90 DURO (Black) VITON 90 DURO (Green)

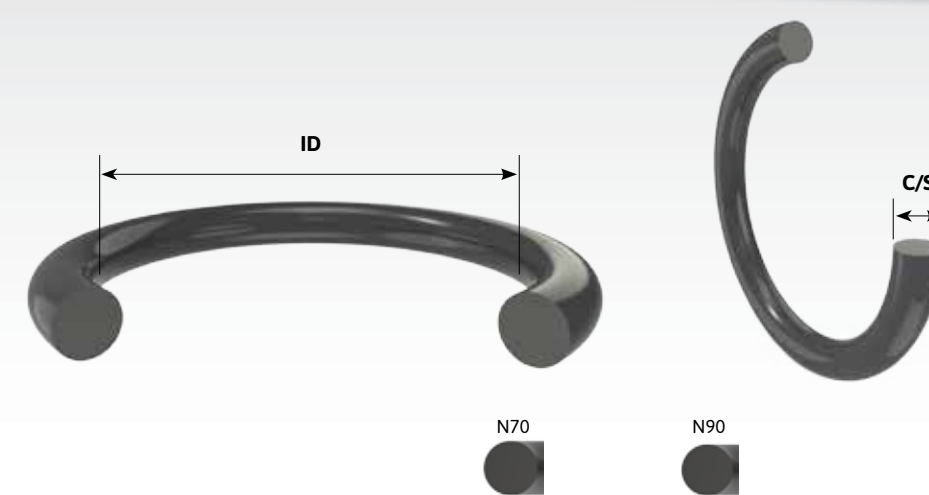
ID	C/S	PART N°	PART N°	PART N°
265.00	3.00			V90M-2650030GR
269.50	8.40			
270.00	3.00			V90M-2700030GR
274.50	8.40			
275.00	3.00			V90M-2750030GR
279.50	8.40			
284.50	8.40			
289.50	8.40			
294.50	8.40			
299.50	8.40			
305.00	4.00			V90M-3050040GR
310.00	4.00			V90M-3100040GR
310.00	5.00			V90M-3100050GR
314.50	8.40			
319.50	8.40			
334.50	8.40			
339.50	8.40			
354.50	8.40			
359.50	8.40			
374.50	8.40			
379.30	5.70			
384.50	8.40			
399.30	5.70			
399.50	8.40			
419.30	5.70			
439.30	5.70			
459.30	5.70			
479.30	5.70			
499.30	5.70			



**NITRILE
70 DURO**

**NITRILE
90 DURO**

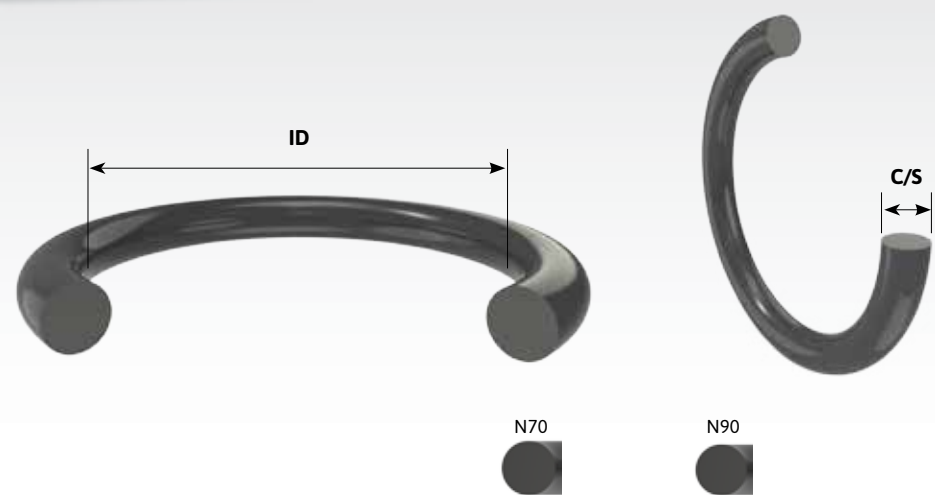
ID	C/S	PART N ^o	PART N ^o
1.50	1.00	N70M-0015010	
2.00	1.00	N70M-0020010	
2.00	1.50	N70M-0020015	
2.20	1.60	N70M-0022016	
2.40	1.50	N70M-0024015	
2.50	1.00	N70M-0025010	
2.50	1.20	N70M-0025012	
2.50	1.50	N70M-0025015	
2.50	1.60	N70M-0025016	
2.50	2.00	N70M-0025020	
2.60	1.90	N70M-0026019	
2.75	1.00	N70M-0027010	
2.80	1.90	N70M-P003	
3.00	1.00	N70M-0030010	
3.00	1.50	N70M-0030015	N90M-0030015
3.00	2.00	N70M-0030020	N90M-0030020
3.00	2.50	N70M-0030025	
3.00	3.00	N70M-0030030	
3.10	1.60	N70M-0031016	N90M-0031016
3.30	2.40	N70M-0033024	N90M-0033024
3.40	1.90	N70M-0034019	
3.50	1.00	N70M-0035010	
3.50	1.50	N70M-0035015	
3.60	1.20	N70M-0036012	
3.60	2.40	N70M-0036024	
3.70	1.80	N70M-0037018	
3.80	1.90	N70M-P004	N90M-P004
4.00	1.00	N70M-0040010	
4.00	1.20	N70M-0040012	
4.00	1.50	N70M-0040015	N90M-0040015
4.00	1.80	N70M-0040018	
4.00	2.00	N70M-0040020	N90M-0040020
4.00	2.50	N70M-0040025	
4.00	3.00	N70M-0040030	
4.10	1.60	N70M-0041016	
4.20	1.90	N70M-0042019	
4.30	2.40	N70M-0043024	N90M-0043024
4.50	1.00	N70M-0045010	
4.50	1.50	N70M-0045015	
4.60	2.40	N70M-0046024	
4.80	1.90	N70M-P005	
4.90	1.90	N70M-0049019	
5.00	1.00	N70M-0050010	



**NITRILE
70 DURO**

**NITRILE
90 DURO**

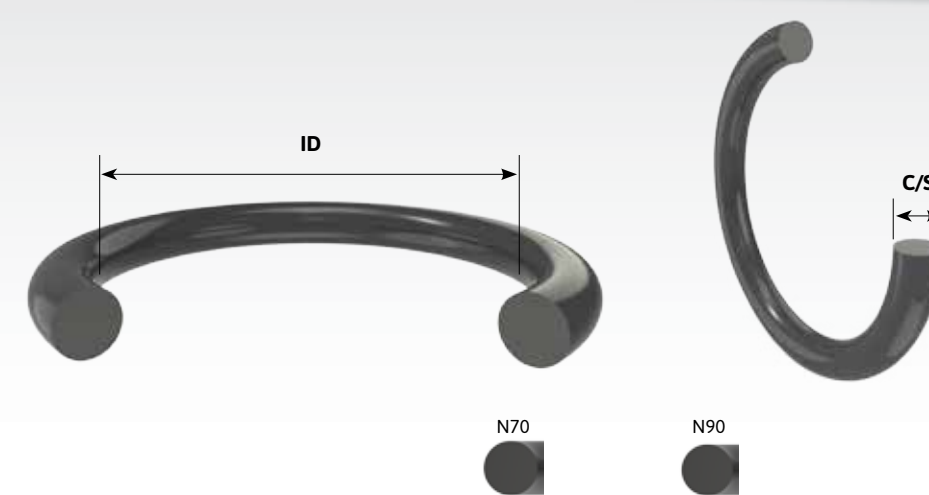
ID	C/S	PART N ^o	PART N ^o
5.00	1.50	N70M-0050015	N90M-0050015
5.00	2.00	N70M-0050020	N90M-0050020
5.00	2.50	N70M-0050025	N90M-0050025
5.00	3.00	N70M-0050030	N90M-0050030
5.10	1.60	N70M-0051016	
5.50	1.50	N70M-0055015	
5.60	2.00	N70M-0056020	
5.60	2.40	N70M-0056024	N90M-0056024
5.70	1.90	N70M-0057019	
5.80	1.90	N70M-P006	
6.00	1.00	N70M-0060010	
6.00	1.50	N70M-0060015	N90M-0060015
6.00	2.00	N70M-0060020	N90M-0060020
6.00	2.50	N70M-0060025	
6.00	3.00	N70M-0060030	N90M-0060030
6.00	4.00	N70M-0060040	
6.00	5.00	N70M-0060050	
6.10	1.60	N70M-0061016	N90M-0061016
6.30	2.40	N70M-0063024	N90M-0063024
6.40	1.90	N70M-0064019	
6.50	1.50	N70M-0065015	
6.50	2.00	N70M-0065020	
6.80	1.90	N70M-P007	N90M-P007
7.00	1.00	N70M-0070010	
7.00	1.50	N70M-0070015	N90M-0070015
7.00	2.00	N70M-0070020	N90M-0070020
7.00	2.50	N70M-0070025	N90M-0070025
7.00	3.00	N70M-0070030	N90M-0070030
7.00	4.00	N70M-0070040	
7.10	1.60	N70M-0071016	
7.50	1.50	N70M-0075015	N90M-0075015
7.60	2.40	N70M-0076024	N90M-0076024
7.80	1.90	N70M-P008	N90M-P008
8.00	1.00	N70M-0080010	
8.00	1.50	N70M-0080015	N90M-0080015
8.00	1.90	N70M-0080019	
8.00	2.00	N70M-0080020	N90M-0080020
8.00	2.50	N70M-0080025	N90M-0080025
8.00	3.00	N70M-0080030	N90M-0080030
8.00	3.50	N70M-0080035	
8.00	4.00	N70M-0080040	
8.00	5.00	N70M-0080050	



**NITRILE
70 DURO**

**NITRILE
90 DURO**

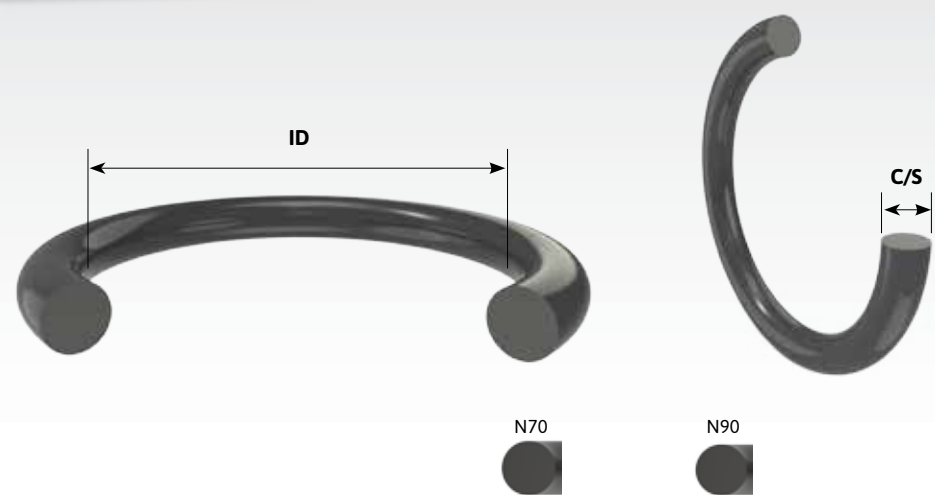
ID	C/S	PART N ^o	PART N ^o
11.00	2.00	N70M-0110020	N90M-0110020
11.00	2.40	N70M-P011.2	N90M-P011.2
11.00	2.50	N70M-0110025	N90M-0110025
11.00	3.00	N70M-0110030	
11.00	3.50	N70M-0110035	
11.00	4.00	N70M-0110040	
11.00	5.00	N70M-0110050	
11.10	1.60	N70M-0111016	
11.30	2.40	N70M-0113024	N90M-0113024
11.50	1.50	N70M-0115015	
11.50	2.00	N70M-0115020	
11.60	2.40	N70M-0116024	
11.80	1.90	N70M-0118019	
11.80	2.40	N70M-P012	N90M-P012
12.00	1.00	N70M-0120010	N90M-0120010
12.00	1.50	N70M-0120015	N90M-0120015
12.00	2.00	N70M-0120020	N90M-0120020
12.00	2.50	N70M-0120025	N90M-0120025
12.00	3.00	N70M-0120030	N90M-0120030
12.00	3.50	N70M-0120035	
12.00	4.00	N70M-0120040	
12.00	5.00	N70M-0120050	
12.10	1.60	N70M-0121016	N90M-0121016
12.30	2.40	N70M-P012.5	N90M-P012.5
13.00	1.00	N70M-0130010	
13.00	1.50	N70M-0130015	N90M-0130015
13.00	2.00	N70M-0130020	N90M-0130020
13.00	2.40	N70M-0130024	
13.00	2.50	N70M-0130025	N90M-0130025
13.00	3.00	N70M-0130030	N90M-0130030
13.00	3.50	N70M-0130035	
13.00	4.00	N70M-0130040	
13.00	5.00	N70M-0130050	
13.10	1.60	N70M-0131016	N90M-0131016
13.30	2.40	N70M-0133024	
13.50	2.75	N70M-0135028	
13.60	2.40	N70M-0136024	
13.80	2.40	N70M-P014	N90M-P014
14.00	1.00	N70M-0140010	N90M-0140010
14.00	1.50	N70M-0140015	N90M-0140015
14.00	2.00	N70M-0140020	N90M-0140020
14.00	2.50	N70M-0140025	N90M-0140025



**NITRILE
70 DURO**

**NITRILE
90 DURO**

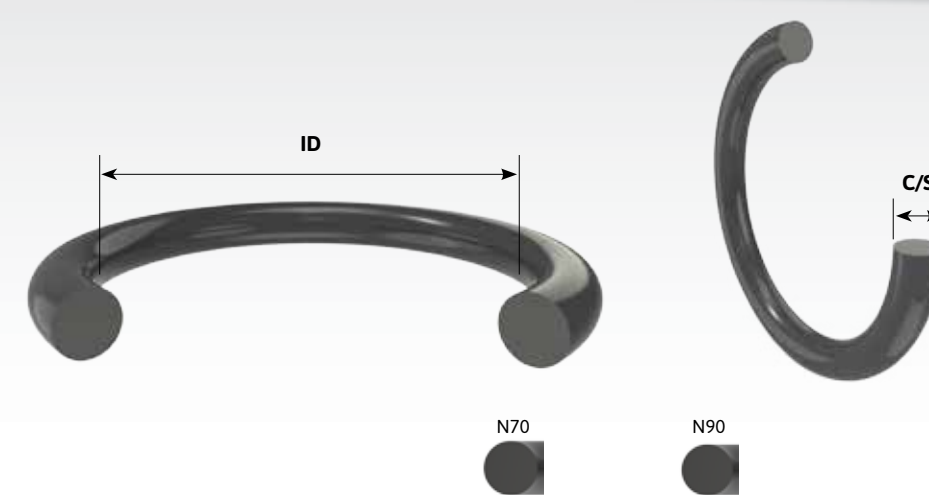
ID	C/S	PART N ^o	PART N ^o
8.10	1.60	N70M-0081016	N90M-0081016
8.30	2.40	N70M-0083024	
8.50	1.50	N70M-0085015	
8.50	2.00	N70M-0085020	
8.60	2.40	N70M-0086024	
8.80	1.90	N70M-P009	N90M-P009
8.90	1.90	N70M-0089019	
9.00	1.00	N70M-0090010	
9.00	1.50	N70M-0090015	N90M-0090015
9.00	2.00	N70M-0090020	N90M-0090020
9.00	2.50	N70M-0090025	N90M-0090025
9.00	3.00	N70M-0090030	N90M-0090030
9.00	3.50	N70M-0090035	
9.00	4.00	N70M-0090040	
9.00	5.00	N70M-0090050	
9.00	6.00	N70M-0090060	
9.10	1.60	N70M-0091016	N90M-0091016
9.50	1.00	N70M-0095010	
9.50	1.60	N70M-0095016	
9.50	1.90	N70M-0095019	
9.50	2.00	N70M-0095020	
9.50	3.00	N70M-0095030	
9.60	2.40	N70M-0096024	
9.80	1.90	N70M-P010	N90M-P010
9.80	2.40	N70M-P010A	N90M-P010A
9.92	2.62	N70M-0099026	
10.00	1.00	N70M-0100010	N90M-0100010
10.00	1.50	N70M-0100015	N90M-0100015
10.00	2.00	N70M-0100020	N90M-0100020
10.00	2.10	N70M-0100021	
10.00	2.50	N70M-0100025	N90M-0100025
10.00	3.00	N70M-0100030	N90M-0100030
10.00	3.50	N70M-0100035	
10.00	4.00	N70M-0100040	
10.00	5.00	N70M-0100050	
10.10	1.60	N70M-0101016	
10.30	2.40	N70M-0103024	
10.60	2.40	N70M-0106024	
10.80	2.40	N70M-P011	N90M-P011
11.00	1.00	N70M-0110010	
11.00	1.20	N70M-0110012	
11.00	1.50	N70M-0110015	N90M-0110015



**NITRILE
70 DURO**

**NITRILE
90 DURO**

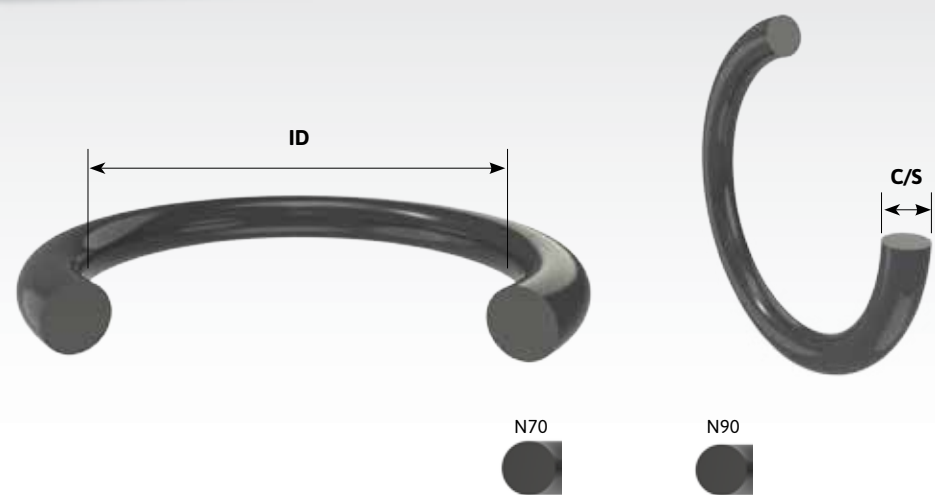
ID	C/S	PART N ^o	PART N ^o
14.00	3.00	N70M-0140030	N90M-0140030
14.00	3.50	N70M-0140035	
14.00	4.00	N70M-0140040	
14.00	5.00	N70M-0140050	
14.10	1.60	N70M-0141016	N90M-0141016
14.50	3.00	N70M-0145030	
14.50	4.00	N70M-0145040	
14.60	2.40	N70M-0146024	
14.80	2.40	N70M-P015	N90M-P015
15.00	1.00	N70M-0150010	
15.00	1.50	N70M-0150015	
15.00	2.00	N70M-0150020	N90M-0150020
15.00	2.50	N70M-0150025	N90M-0150025
15.00	3.00	N70M-0150030	N90M-0150030
15.00	3.50	N70M-0150035	
15.00	4.00	N70M-0150040	N90M-0150040
15.00	4.50	N70M-0150045	
15.00	5.00	N70M-0150050	N90M-0150050
15.10	1.60	N70M-0151016	
15.10	2.70	N70M-0151027	
15.30	2.40	N70M-0153024	
15.40	1.30	N70M-0154013	
15.60	2.40	N70M-0156024	N90M-0156024
15.80	2.40	N70M-P016	N90M-P016
16.00	1.00	N70M-0160010	N90M-0160010
16.00	1.50	N70M-0160015	N90M-0160015
16.00	2.00	N70M-0160020	N90M-0160020
16.00	2.50	N70M-0160025	N90M-0160025
16.00	3.00	N70M-0160030	N90M-0160030
16.00	3.50	N70M-0160035	
16.00	4.00	N70M-0160040	
16.00	5.00	N70M-0160050	
16.00	6.00	N70M-0160060	
16.10	1.60	N70M-0161016	
16.30	2.40	N70M-0163024	
16.60	2.40	N70M-0166024	
16.80	2.40	N70M-P017	N90M-P017
17.00	1.00	N70M-0170010	
17.00	1.50	N70M-0170015	N90M-0170015
17.00	2.00	N70M-0170020	N90M-0170020



**NITRILE
70 DURO**

**NITRILE
90 DURO**

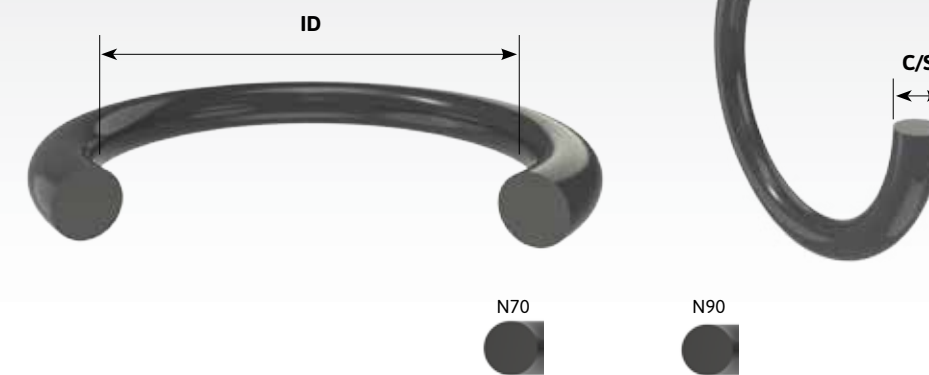
ID	C/S	PART N ^o	PART N ^o
17.00	2.30	N70M-0170023	
17.00	2.50	N70M-0170025	N90M-0170025
17.00	3.00	N70M-0170030	N90M-0170030
17.00	3.50	N70M-0170035	N90M-0170035
17.00	4.00	N70M-0170040	
17.00	5.00	N70M-0170050	
17.00	6.00	N70M-0170060	
17.10	1.60	N70M-0171016	N90M-0171016
17.30	2.40	N70M-0173024	
17.60	2.40	N70M-0176024	
17.80	2.40	N70M-P018	N90M-P018
18.00	1.00	N70M-0180010	N90M-0180010
18.00	1.50	N70M-0180015	
18.00	2.00	N70M-0180020	N90M-0180020
18.00	2.50	N70M-0180025	N90M-0180025
18.00	3.00	N70M-0180030	N90M-0180030
18.00	3.50	N70M-0180035	
18.00	4.00	N70M-0180040	
18.00	5.00	N70M-0180050	
18.00	6.00	N70M-0180060	
18.10	1.60	N70M-0181016	
18.30	2.40	N70M-0183024	N90M-0183024
18.30	3.60	N70M-0183036	
18.40	2.70	N70M-0184027	N90M-0184027
18.60	2.40	N70M-0186024	N90M-0186024
18.80	2.40	N70M-P019	N90M-P019
19.00	1.00	N70M-0190010	
19.00	1.50	N70M-0190015	
19.00	2.00	N70M-0190020	N90M-0190020
19.00	2.50	N70M-0190025	N90M-0190025
19.00	3.00	N70M-0190030	N90M-0190030
19.00	3.50	N70M-0190035	
19.00	4.00	N70M-0190040	N90M-0190040
19.00	5.00	N70M-0190050	
19.00	6.00	N70M-0190060	
19.10	1.60	N70M-0191016	N90M-0191016
19.20	3.00	N70M-0192030	N90M-0192030
19.40	3.10	N70M-G020	
19.50	3.00	N70M-0195030	
19.60	2.40	N70M-0196024	
19.80	2.40	N70M-P020	N90M-P020
19.80	3.60	N70M-0198036	



**NITRILE
70 DURO**

**NITRILE
90 DURO**

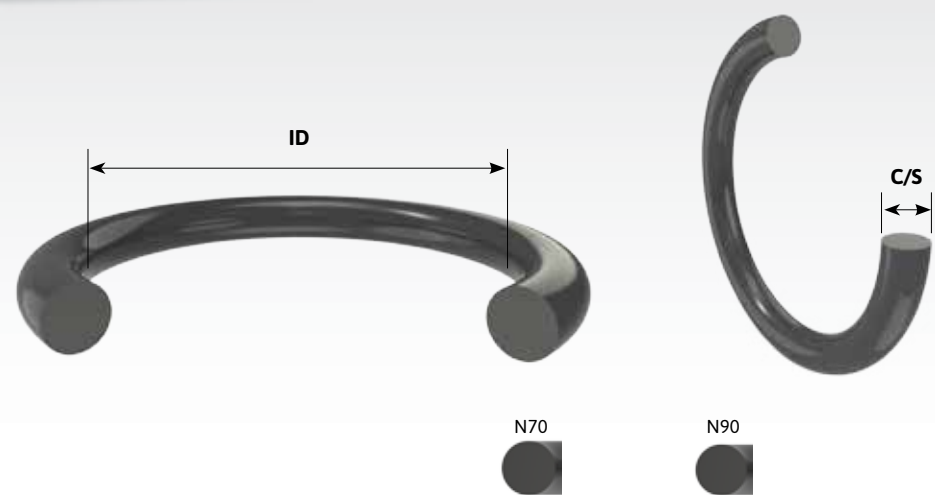
ID	C/S	PART N°	PART N°
20.00	1.00	N70M-0200010	N90M-0200010
20.00	1.50	N70M-0200015	
20.00	2.00	N70M-0200020	N90M-0200020
20.00	2.50	N70M-0200025	N90M-0200025
20.00	3.00	N70M-0200030	N90M-0200030
20.00	3.50	N70M-0200035	N90M-0200035
20.00	4.00	N70M-0200040	
20.00	4.50	N70M-0200045	
20.00	5.00	N70M-0200050	
20.00	6.00	N70M-0200060	
20.00	10.00	N70M-0200100	
20.30	2.40	N70M-0203024	
20.50	2.40	N70M-0205024	
20.80	2.40	N70M-P021	
21.00	1.00	N70M-0210010	
21.00	1.50	N70M-0210015	N90M-0210015
21.00	2.00	N70M-0210020	N90M-0210020
21.00	2.50	N70M-0210025	N90M-0210025
21.00	3.00	N70M-0210030	N90M-0210030
21.00	3.50	N70M-0210035	
21.00	4.00	N70M-0210040	
21.00	5.00	N70M-0210050	
21.00	6.00	N70M-0210060	
21.30	3.60	N70M-0213036	
21.40	3.10	N70M-G022	
21.50	3.00	N70M-0215030	
21.60	2.40	N70M-0216024	
21.70	3.50	N70M-P022A	N90M-P022A
21.80	2.40	N70M-P022	N90M-P021
22.00	1.00	N70M-0220010	
22.00	1.30	N70M-0220013	
22.00	1.40	N70M-0220014	
22.00	1.50	N70M-0220015	N90M-0220015
22.00	2.00	N70M-0220020	N90M-0220020
22.00	2.30	N70M-0220023	
22.00	2.50	N70M-0220025	N90M-0220025
22.00	3.00	N70M-0220030	N90M-0220030
22.00	3.50	N70M-0220035	
22.00	4.00	N70M-0220040	
22.00	5.00	N70M-0220050	
22.00	6.00	N70M-0220060	
22.10	1.60	N70M-0221016	N90M-0221016



**NITRILE
70 DURO**

**NITRILE
90 DURO**

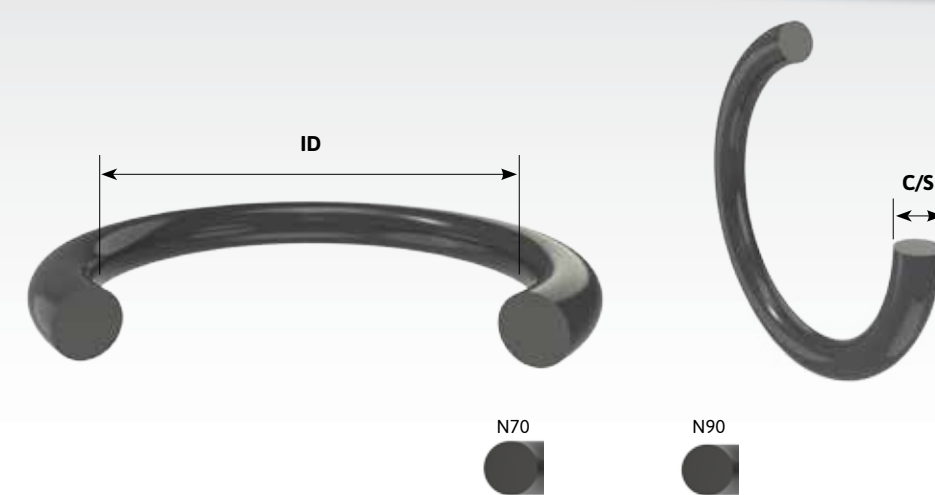
ID	C/S	PART N°	PART N°
22.10	3.50	N70M-P022.4	N90M-0221035
22.20	3.00	N70M-0222030	N90M-0222030
22.22	2.62	N70M-0222026	
22.30	2.40	N70M-0223024	N90M-0223024
22.50	3.00	N70M-0225030	
23.00	1.00	N70M-0230010	N90M-0230010
23.00	1.50	N70M-0230015	
23.00	2.00	N70M-0230020	N90M-0230020
23.00	2.50	N70M-0230025	N90M-0230025
23.00	3.00	N70M-0230030	N90M-0230030
23.00	3.50	N70M-0230035	
23.00	3.60	N70M-0230036	
23.00	4.00	N70M-0230040	
23.00	5.00	N70M-0230050	
23.00	6.00	N70M-0230060	
23.30	2.40	N70M-0233024	N90M-0233024
23.40	3.10	N70M-G024	
23.60	3.55	N70M-0236036	
23.70	3.50	N70M-P024	N90M-P024
24.00	1.00	N70M-0240010	N90M-0240010
24.00	1.50	N70M-0240015	N90M-0240015
24.00	2.00	N70M-0240020	N90M-0240020
24.00	2.50	N70M-0240025	N90M-0240025
24.00	3.00	N70M-0240030	N90M-0240030
24.00	3.50	N70M-0240035	
24.00	4.00	N70M-0240040	
24.00	5.00	N70M-0240050	
24.00	6.00	N70M-0240060	
24.20	3.00	N70M-0242030	N90M-0242030
24.40	3.10	N70M-G025	N90M-G025
24.50	3.00	N70M-0245030	
24.60	2.40	N70M-0246024	N90M-0246024
24.60	3.60	N70M-0246036	
24.70	3.50	N70M-P025	N90M-P025
25.00	1.00	N70M-0250010	
25.00	1.50	N70M-0250015	N90M-0250015
25.00	2.00	N70M-0250020	N90M-0250020
25.00	2.40	N70M-0250024	
25.00	2.50	N70M-0250025	N90M-0250025
25.00	3.00	N70M-0250030	N90M-0250030
25.00	3.50	N70M-0250035	N90M-0250035
25.00	4.00	N70M-0250040	



**NITRILE
70 DURO**

**NITRILE
90 DURO**

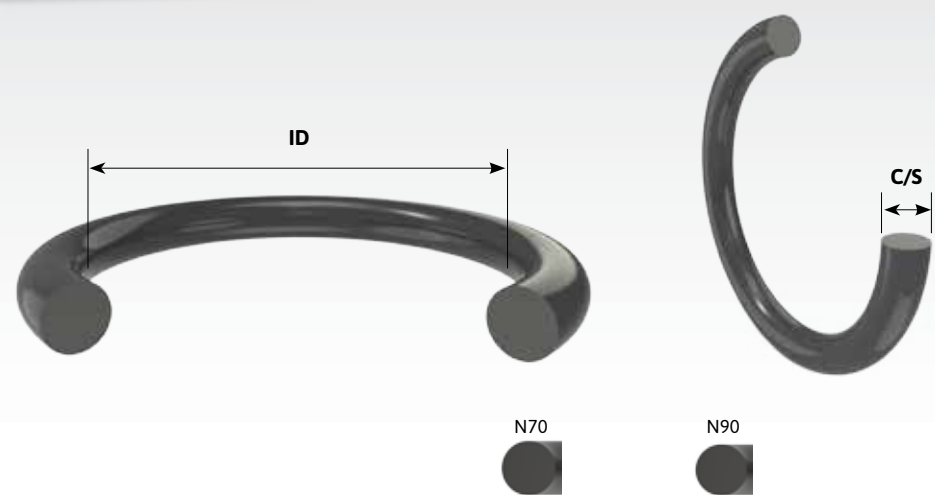
ID	C/S	PART N ^o	PART N ^o
25.00	4.50	N70M-0250045	
25.00	5.00	N70M-0250050	
25.00	6.00	N70M-0250060	
25.00	8.00	N70M-0250080	
25.10	1.60	N70M-0251016	N90M-0251016
25.20	3.50	N70M-P025.5	
25.30	2.40	N70M-0253024	
25.70	3.50	N70M-P026	N90M-P026
26.00	1.00	N70M-0260010	
26.00	1.50	N70M-0260015	N90M-0260015
26.00	2.00	N70M-0260020	N90M-0260020
26.00	2.50	N70M-0260025	N90M-0260025
26.00	3.00	N70M-0260030	N90M-0260030
26.00	3.50	N70M-0260035	
26.00	4.00	N70M-0260040	
26.00	5.00	N70M-0260050	
26.00	6.00	N70M-0260060	
26.20	3.00	N70M-0262030	N90M-0262030
26.20	3.60	N70M-0262036	
27.00	1.00	N70M-0270010	
27.00	1.50	N70M-0270015	
27.00	2.00	N70M-0270020	N90M-0270020
27.00	2.50	N70M-0270025	N90M-0270025
27.00	3.00	N70M-0270030	N90M-0270030
27.00	3.50	N70M-0270035	
27.00	4.00	N70M-0270040	
27.00	5.00	N70M-0270050	
27.00	6.00	N70M-0270060	
27.00	7.00	N70M-0270070	
27.00	8.00	N70M-0270080	
27.10	1.60	N70M-0271016	
27.50	1.50	N70M-0275015	
27.50	3.00	N70M-0275030	
27.60	2.40	N70M-0276024	N90M-0276024
27.70	3.50	N70M-P028	N90M-P028
27.80	3.60	N70M-0278036	
28.00	1.00	N70M-0280010	N90M-0280010
28.00	1.50	N70M-0280015	N90M-0280015
28.00	2.00	N70M-0280020	N90M-0280020
28.00	2.50	N70M-0280025	N90M-0280025
28.00	3.00	N70M-0280030	N90M-0280030
28.00	3.50	N70M-0280035	



**NITRILE
70 DURO**

**NITRILE
90 DURO**

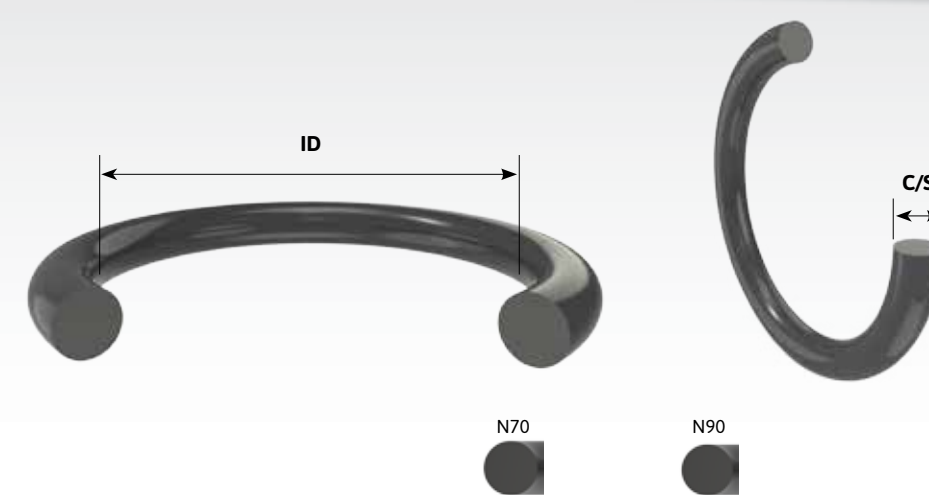
ID	C/S	PART N ^o	PART N ^o
28.00	4.00	N70M-0280040	
28.00	5.00	N70M-0280050	
28.00	6.00	N70M-0280060	
28.70	3.50	N70M-P029	N90M-P029
29.00	1.00	N70M-0290010	
29.00	1.50	N70M-0290015	
29.00	2.00	N70M-0290020	
29.00	2.40	N70M-0290024	
29.00	2.50	N70M-0290025	N90M-0290025
29.00	3.00	N70M-0290030	N90M-0290030
29.00	3.50	N70M-0290035	
29.00	4.00	N70M-0290040	
29.00	4.50	N70M-0290045	
29.00	5.00	N70M-0290050	
29.00	6.00	N70M-0290060	
29.10	1.60	N70M-0291016	
29.20	3.00	N70M-0292030	N90M-0292030
29.20	3.50	N70M-P029.5	
29.30	3.60	N70M-0293036	
29.40	3.10	N70M-G030	N90M-G030
29.50	3.00	N70M-0295030	
29.60	2.40	N70M-0296024	
29.70	3.50	N70M-P030	N90M-P030
30.00	1.00	N70M-0300010	
30.00	1.50	N70M-0300015	N90M-0300015
30.00	2.00	N70M-0300020	N90M-0300020
30.00	2.50	N70M-0300025	N90M-0300025
30.00	3.00	N70M-0300030	N90M-0300030
30.00	3.50	N70M-0300035	
30.00	4.00	N70M-0300040	
30.00	4.50	N70M-0300045	
30.00	5.00	N70M-0300050	
30.00	6.00	N70M-0300060	
30.00	7.00	N70M-0300070	
30.00	10.00	N70M-0300100	
30.20	3.00	N70M-0302030	N90M-0302030
30.70	3.50	N70M-P031	
30.80	3.60	N70M-0308036	
31.00	1.00	N70M-0310010	
31.00	1.50	N70M-0310015	
31.00	2.00	N70M-0310020	N90M-0310020
31.00	2.50	N70M-0310025	N90M-0310025



**NITRILE
70 DURO**

**NITRILE
90 DURO**

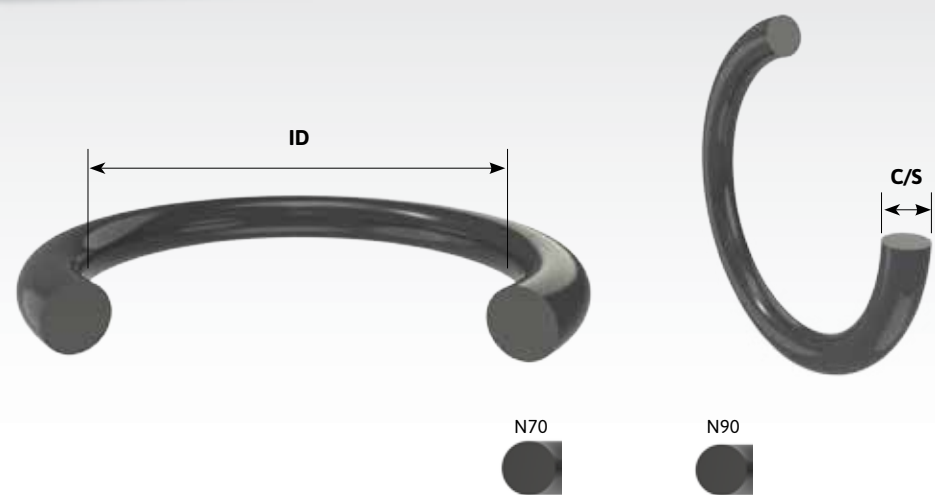
ID	C/S	PART N°	PART N°
31.00	3.00	N70M-0310030	N90M-0310030
31.00	3.50	N70M-0310035	N90M-0310035
31.00	4.00	N70M-0310040	N90M-0310040
31.00	5.00	N70M-0310050	
31.00	6.00	N70M-0310060	
31.20	3.50	N70M-P031.5	
31.70	3.50	N70M-P032	N90M-P032
31.70	6.35	N70M-0317064	
32.00	1.00	N70M-0320010	
32.00	1.50	N70M-0320015	
32.00	2.00	N70M-0320020	N90M-0320020
32.00	2.50	N70M-0320025	N90M-0320025
32.00	3.00	N70M-0320030	N90M-0320030
32.00	3.50	N70M-0320035	N90M-0320035
32.00	4.00	N70M-0320040	
32.00	5.00	N70M-0320050	
32.00	6.00	N70M-0320060	
32.00	7.00	N70M-0320070	
32.10	1.60	N70M-0321016	N90M-0321016
32.20	3.00	N70M-0322030	N90M-0322030
32.50	3.60	N70M-0325036	
32.70	1.30	N70M-0327013	
33.00	1.00	N70M-0330010	
33.00	1.50	N70M-0330015	
33.00	2.00	N70M-0330020	N90M-0330020
33.00	2.50	N70M-0330025	N90M-0330025
33.00	3.00	N70M-0330030	N90M-0330030
33.00	3.50	N70M-0330035	
33.00	4.00	N70M-0330040	
33.00	4.50	N70M-0330045	
33.00	5.00	N70M-0330050	
33.00	6.00	N70M-0330060	
33.30	2.40	N70M-0333024	
33.70	3.50	N70M-P034	N90M-P034
34.00	1.00	N70M-0340010	
34.00	1.50	N70M-0340015	
34.00	2.00	N70M-0340020	N90M-0340020
34.00	2.50	N70M-0340025	N90M-0340025
34.00	3.00	N70M-0340030	N90M-0340030
34.00	3.50	N70M-0340035	
34.00	4.00	N70M-0340040	
34.00	5.00	N70M-0340050	



**NITRILE
70 DURO**

**NITRILE
90 DURO**

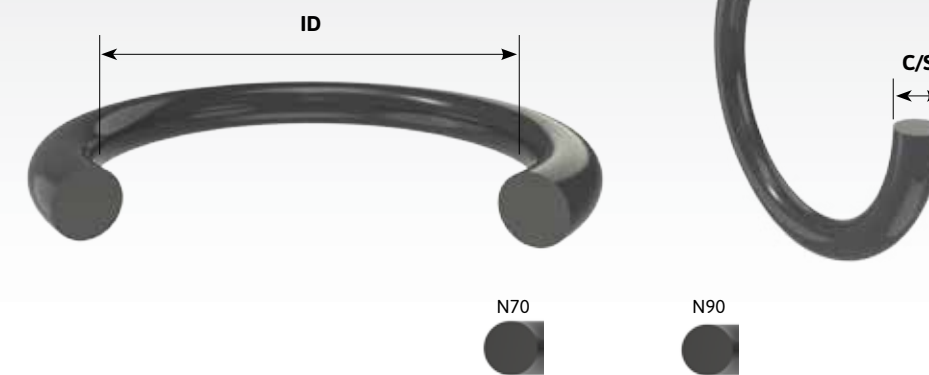
ID	C/S	PART N°	PART N°
34.00	6.00	N70M-0340060	
34.10	3.60	N70M-0341036	
34.20	3.00	N70M-0342030	N90M-0342030
34.40	3.10	N70M-G035	N90M-G035
34.50	3.00	N70M-0345030	
34.70	3.50	N70M-P035	N90M-P035
35.00	1.00	N70M-0350010	
35.00	1.50	N70M-0350015	
35.00	2.00	N70M-0350020	N90M-0350020
35.00	2.50	N70M-0350025	N90M-0350025
35.00	3.00	N70M-0350030	N90M-0350030
35.00	3.50	N70M-0350035	N90M-0350035
35.00	4.00	N70M-0350040	N90M-0350040
35.00	5.00	N70M-0350050	N90M-0350050
35.00	6.00	N70M-0350060	
35.10	1.60	N70M-0351016	
35.20	3.50	N70M-P035.5	
35.50	3.00	N70M-0355030	
35.60	3.60	N70M-0356036	
35.70	3.50	N70M-P036	N90M-P036
36.00	1.00	N70M-0360010	
36.00	1.50	N70M-0360015	
36.00	1.78	N70M-0360018	
36.00	2.00	N70M-0360020	N90M-0360020
36.00	2.50	N70M-0360025	N90M-0360025
36.00	3.00	N70M-0360030	N90M-0360030
36.00	3.50	N70M-0360035	
36.00	4.00	N70M-0360040	
36.00	5.00	N70M-0360050	
36.00	6.00	N70M-0360060	
36.20	5.70	N70M-0362057	
36.50	3.00	N70M-0365030	
37.00	1.00	N70M-0370010	
37.00	1.50	N70M-0370015	
37.00	2.00	N70M-0370020	N90M-0370020
37.00	2.50	N70M-0370025	N90M-0370025
37.00	3.00	N70M-0370030	N90M-0370030
37.00	3.50	N70M-0370035	
37.00	4.00	N70M-0370040	
37.00	5.00	N70M-0370050	
37.00	6.00	N70M-0370060	
37.10	1.60	N70M-0371016	



**NITRILE
70 DURO**

**NITRILE
90 DURO**

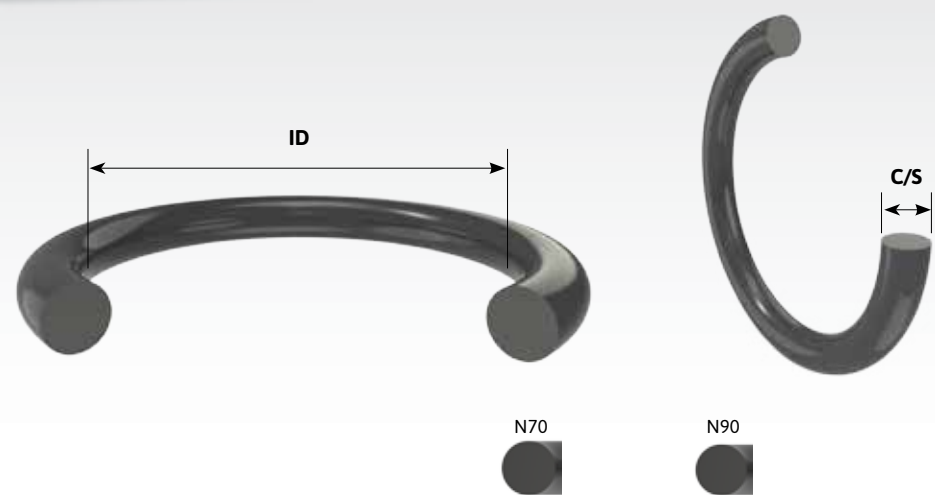
ID	C/S	PART N ^o	PART N ^o
37.30	3.60	N70M-0373036	
37.40	3.10	N70M-G038	
37.70	3.50	N70M-P038	N90M-P038
38.00	1.00	N70M-0380010	
38.00	1.50	N70M-0380015	N90M-0380015
38.00	2.00	N70M-0380020	N90M-0380020
38.00	2.50	N70M-0380025	N90M-0380025
38.00	3.00	N70M-0380030	N90M-0380030
38.00	3.50	N70M-0380035	N90M-0380035
38.00	4.00	N70M-0380040	
38.00	5.00	N70M-0380050	
38.00	6.00	N70M-0380060	
38.70	3.50	N70M-P039	
39.00	1.00	N70M-0390010	
39.00	1.50	N70M-0390015	
39.00	2.00	N70M-0390020	
39.00	2.50	N70M-0390025	N90M-0390025
39.00	3.00	N70M-0390030	N90M-0390030
39.00	3.50	N70M-0390035	
39.00	4.00	N70M-0390040	
39.00	5.00	N70M-0390050	
39.00	6.00	N70M-0390060	
39.20	2.00	N70M-0392020	
39.20	3.00	N70M-0392030	N90M-0392030
39.20	5.70	N70M-0392057	
39.40	3.10	N70M-G040	N90M-G040
39.50	3.50	N70M-0395035	
39.60	2.40	N70M-0396024	
39.70	3.50	N70M-P040	N90M-P040
40.00	1.00	N70M-0400010	
40.00	1.50	N70M-0400015	
40.00	2.00	N70M-0400020	N90M-0400020
40.00	2.50	N70M-0400025	N90M-0400025
40.00	3.00	N70M-0400030	N90M-0400030
40.00	3.50	N70M-0400035	N90M-0400035
40.00	4.00	N70M-0400040	N90M-0400040
40.00	4.50	N70M-0400045	
40.00	5.00	N70M-0400050	N90M-0400050
40.00	6.00	N70M-0400060	
40.70	3.50	N70M-P041	
41.00	1.00	N70M-0410010	
41.00	1.50	N70M-0410015	



**NITRILE
70 DURO**

**NITRILE
90 DURO**

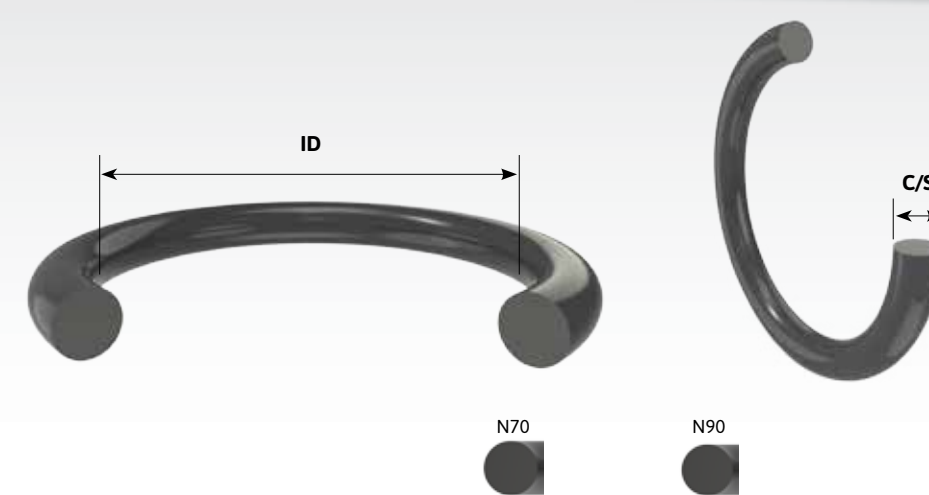
ID	C/S	PART N ^o	PART N ^o
41.00	2.00	N70M-0410020	N90M-0410020
41.00	2.50	N70M-0410025	N90M-0410025
41.00	3.00	N70M-0410030	N90M-0410030
41.00	3.50	N70M-0410035	
41.00	4.00	N70M-0410040	
41.00	5.00	N70M-0410050	
41.00	6.00	N70M-0410060	
41.20	3.00	N70M-0412030	
41.28	3.53	N70M-0413035	
41.70	3.50	N70M-P042	N90M-P042
42.00	1.00	N70M-0420010	
42.00	1.50	N70M-0420015	
42.00	2.00	N70M-0420020	N90M-0420020
42.00	2.50	N70M-0420025	N90M-0420025
42.00	3.00	N70M-0420030	N90M-0420030
42.00	3.50	N70M-0420035	
42.00	4.00	N70M-0420040	N90M-0420040
42.00	4.50	N70M-0420045	
42.00	5.00	N70M-0420050	
42.00	6.00	N70M-0420060	
42.86	3.53	N70M-0429035	
43.00	1.00	N70M-0430010	
43.00	1.50	N70M-0430015	
43.00	2.00	N70M-0430020	N90M-0430020
43.00	2.50	N70M-0430025	N90M-0430025
43.00	3.00	N70M-0430030	N90M-0430030
43.00	3.50	N70M-0430035	
43.00	4.00	N70M-0430040	
43.00	5.00	N70M-0430050	
43.00	6.00	N70M-0430060	
43.00	8.00	N70M-0430080	
43.70	3.50	N70M-P044	
44.00	1.00	N70M-0440010	
44.00	1.50	N70M-0440015	
44.00	2.00	N70M-0440020	N90M-0440020
44.00	2.50	N70M-0440025	N90M-0440025
44.00	3.00	N70M-0440030	N90M-0440030
44.00	3.50	N70M-0440035	
44.00	4.00	N70M-0440040	N90M-0440040
44.00	5.00	N70M-0440050	
44.00	6.00	N70M-0440060	
44.20	3.00	N70M-0442030	



**NITRILE
70 DURO**

**NITRILE
90 DURO**

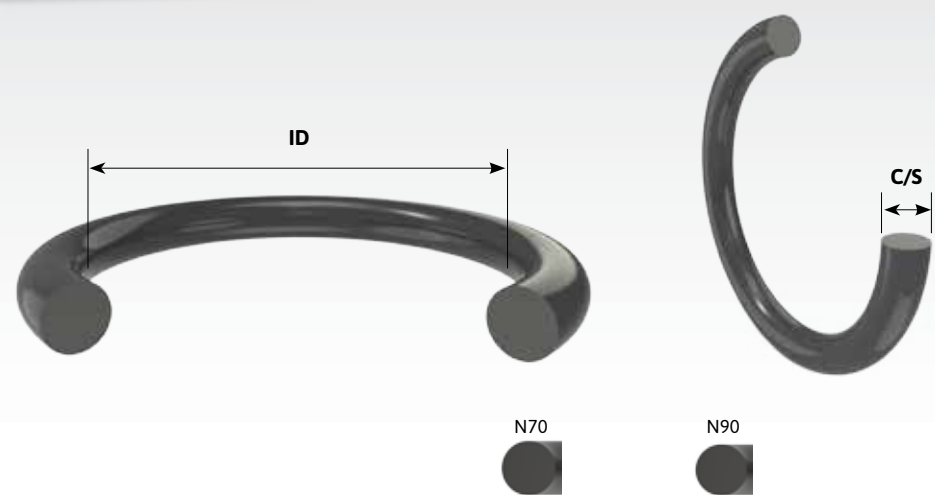
ID	C/S	PART N ^o	PART N ^o
44.30	5.70	N70M-0443057	
44.40	3.10	N70M-G045	N90M-G045
44.50	3.00	N70M-0445030	
44.60	2.40	N70M-0446024	
44.70	3.50	N70M-P045	N90M-P045
45.00	1.00	N70M-0450010	
45.00	1.50	N70M-0450015	
45.00	2.00	N70M-0450020	N90M-0450020
45.00	2.50	N70M-0450025	N90M-0450025
45.00	3.00	N70M-0450030	N90M-0450030
45.00	3.50	N70M-0450035	
45.00	4.00	N70M-0450040	N90M-0450040
45.00	4.50	N70M-0450045	
45.00	5.00	N70M-0450050	
45.00	5.70	N70M-0450057	
45.00	5.70	N70M-P045A	
45.00	6.00	N70M-0450060	
45.00	10.00	N70M-0450100	
45.30	5.70	N70M-0453057	
45.70	3.50	N70M-P046	
46.00	1.00	N70M-0460010	
46.00	1.50	N70M-0460015	
46.00	2.00	N70M-0460020	N90M-0460020
46.00	2.50	N70M-0460025	N90M-0460025
46.00	3.00	N70M-0460030	N90M-0460030
46.00	3.50	N70M-0460035	
46.00	4.00	N70M-0460040	
46.00	5.00	N70M-0460050	
46.00	6.00	N70M-0460060	
47.00	1.00	N70M-0470010	
47.00	1.50	N70M-0470015	
47.00	2.00	N70M-0470020	N90M-0470020
47.00	2.50	N70M-0470025	N90M-0470025
47.00	3.00	N70M-0470030	N90M-0470030
47.00	3.50	N70M-0470035	
47.00	4.00	N70M-0470040	N90M-0470040
47.00	5.00	N70M-0470050	N90M-0470050
47.00	6.00	N70M-0470060	
47.20	5.70	N70M-0472057	
47.60	2.40	N70M-0476024	
47.60	5.70	N70M-P048A	N90M-P048A
47.70	3.50	N70M-P048	N90M-P048



**NITRILE
70 DURO**

**NITRILE
90 DURO**

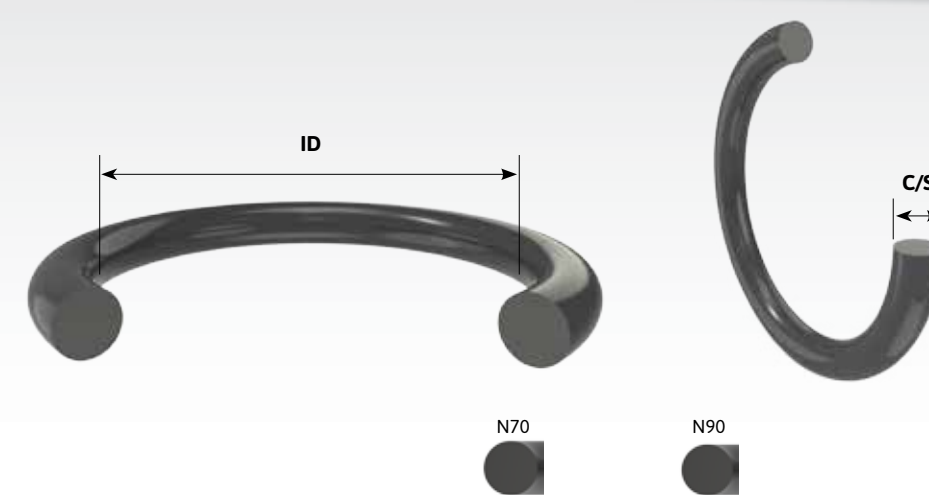
ID	C/S	PART N ^o	PART N ^o
48.00	1.00	N70M-0480010	
48.00	1.50	N70M-0480015	
48.00	2.00	N70M-0480020	N90M-0480020
48.00	2.50	N70M-0480025	N90M-0480025
48.00	3.00	N70M-0480030	N90M-0480030
48.00	3.50	N70M-0480035	
48.00	4.00	N70M-0480040	
48.00	5.00	N70M-0480050	
48.00	6.00	N70M-0480060	
48.70	3.50	N70M-P049	
49.00	1.00	N70M-0490010	
49.00	1.50	N70M-0490015	
49.00	2.00	N70M-0490020	N90M-0490020
49.00	2.50	N70M-0490025	N90M-0490025
49.00	3.00	N70M-0490030	N90M-0490030
49.00	3.50	N70M-0490035	
49.00	4.00	N70M-0490040	
49.00	5.00	N70M-0490050	
49.00	6.00	N70M-0490060	
49.00	7.00	N70M-0490070	
49.30	5.70	N70M-0493057	
49.40	3.10	N70M-G050	N90M-G050
49.50	2.40	N70M-0495024	
49.50	3.00	N70M-0495030	N90M-0495030
49.60	2.40	N70M-0496024	
49.60	5.70	N70M-P050A	
49.70	3.50	N70M-P050	N90M-P050A
50.00	1.00	N70M-0500010	
50.00	1.50	N70M-0500015	
50.00	2.00	N70M-0500020	
50.00	2.50	N70M-0500025	N90M-0500025
50.00	3.00	N70M-0500030	N90M-0500030
50.00	3.50	N70M-0500035	
50.00	4.00	N70M-0500040	
50.00	4.50	N70M-0500045	
50.00	5.00	N70M-0500050	
50.00	6.00	N70M-0500060	
51.00	1.50	N70M-0510015	
51.00	2.00	N70M-0510020	N90M-0510020
51.00	2.50	N70M-0510025	
51.00	3.00	N70M-0510030	N90M-0510030
51.00	3.50	N70M-0510035	



**NITRILE
70 DURO**

**NITRILE
90 DURO**

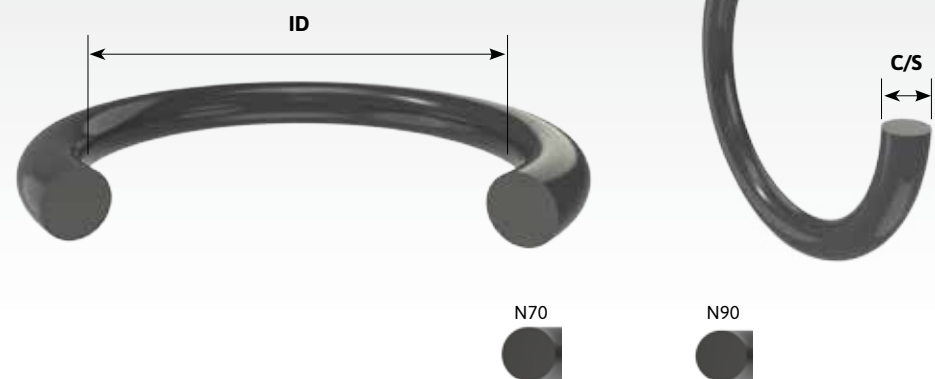
ID	C/S	PART N°	PART N°
51.00	4.00	N70M-0510040	
51.00	5.00	N70M-0510050	
51.00	6.00	N70M-0510060	
51.60	5.70	N70M-P052	
52.00	1.50	N70M-0520015	
52.00	2.00	N70M-0520020	N90M-0520020
52.00	2.50	N70M-0520025	
52.00	3.00	N70M-0520030	N90M-0520030
52.00	3.50	N70M-0520035	
52.00	4.00	N70M-0520040	
52.00	5.00	N70M-0520050	
52.00	6.00	N70M-0520060	
52.30	5.70	N70M-0523057	
52.60	5.70	N70M-P053	N90M-P053
53.00	1.50	N70M-0530015	
53.00	2.00	N70M-0530020	N90M-0530020
53.00	2.50	N70M-0530025	N90M-0530025
53.00	3.00	N70M-0530030	N90M-0530030
53.00	3.50	N70M-0530035	
53.00	4.00	N70M-0530040	
53.00	5.00	N70M-0530050	
53.00	6.00	N70M-0530060	
54.00	1.50	N70M-0540015	
54.00	2.00	N70M-0540020	
54.00	2.50	N70M-0540025	
54.00	3.00	N70M-0540030	N90M-0540030
54.00	3.50	N70M-0540035	
54.00	4.00	N70M-0540040	
54.00	5.00	N70M-0540050	
54.00	6.00	N70M-0540060	
54.30	5.70	N70M-0543057	N90M-0543057
54.40	3.10	N70M-G055	N90M-G055
54.50	3.00	N70M-0545030	N90M-0545030
54.60	2.40	N70M-0546024	N90M-0546024
54.60	5.70	N70M-P055	N90M-P055
55.00	1.00	N70M-0550010	
55.00	1.50	N70M-0550015	
55.00	2.00	N70M-0550020	N90M-0550020
55.00	2.50	N70M-0550025	N90M-0550025
55.00	3.00	N70M-0550030	N90M-0550030
55.00	3.50	N70M-0550035	N90M-0550035
55.00	4.00	N70M-0550040	



**NITRILE
70 DURO**

**NITRILE
90 DURO**

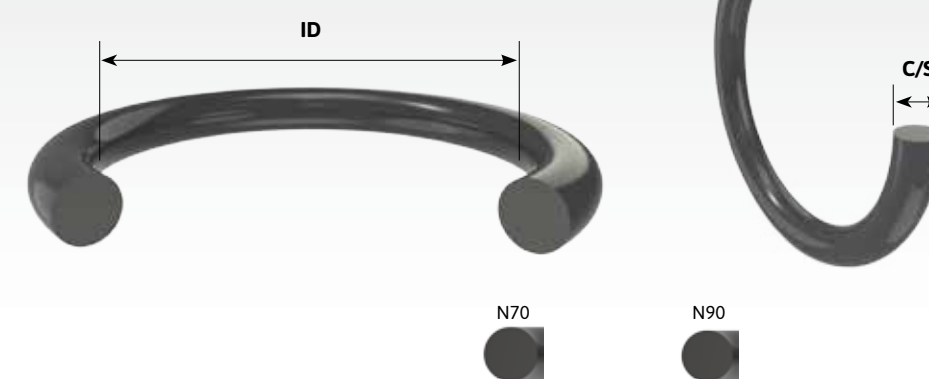
ID	C/S	PART N°	PART N°
55.00	5.00	N70M-0550050	
55.00	6.00	N70M-0550060	
55.60	5.70	N70M-P056	
56.00	1.50	N70M-0560015	N90M-0560015
56.00	2.00	N70M-0560020	N90M-0560020
56.00	2.50	N70M-0560025	
56.00	3.00	N70M-0560030	N90M-0560030
56.00	3.50	N70M-0560035	
56.00	4.00	N70M-0560040	
56.00	5.00	N70M-0560050	
56.00	6.00	N70M-0560060	
57.00	1.50	N70M-0570015	
57.00	2.00	N70M-0570020	
57.00	2.50	N70M-0570025	
57.00	3.00	N70M-0570030	N90M-0570030
57.00	3.50	N70M-0570035	
57.00	4.00	N70M-0570040	
57.00	5.00	N70M-0570050	
57.00	6.00	N70M-0570060	
57.40	3.10	N70M-G058	N90M-G058
57.60	5.70	N70M-P058	N90M-P058
58.00	1.00	N70M-0580010	
58.00	1.50	N70M-0580015	
58.00	2.00	N70M-0580020	
58.00	2.50	N70M-0580025	
58.00	3.00	N70M-0580030	
58.00	3.50	N70M-0580035	
58.00	4.00	N70M-0580040	
58.00	5.00	N70M-0580050	
58.00	6.00	N70M-0580060	
59.00	1.50	N70M-0590015	
59.00	2.00	N70M-0590020	
59.00	2.50	N70M-0590025	
59.00	3.00	N70M-0590030	N90M-0590030
59.00	3.50	N70M-0590035	
59.00	4.00	N70M-0590040	
59.00	5.00	N70M-0590050	
59.00	6.00	N70M-0590060	
59.30	5.70	N70M-0593057	
59.40	3.10	N70M-G060	N90M-G060
59.50	3.00	N70M-0595030	
59.60	5.70	N70M-P060	N90M-P060



**NITRILE
70 DURO**

**NITRILE
90 DURO**

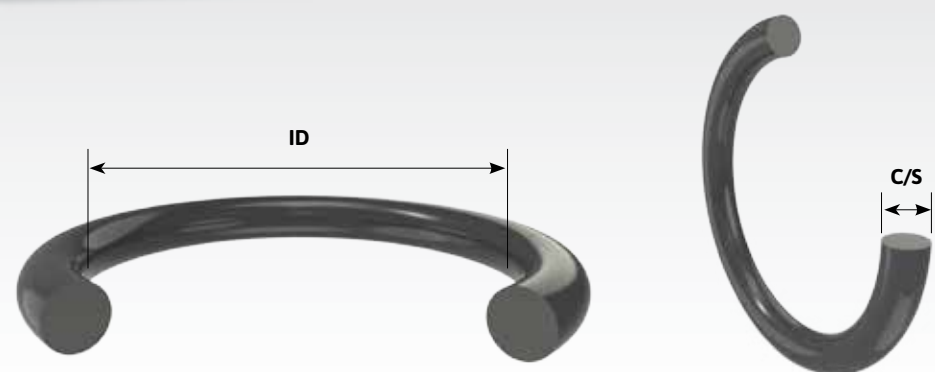
ID	C/S	PART N ^o	PART N ^o
60.00	1.00	N70M-0600010	
60.00	1.50	N70M-0600015	
60.00	2.00	N70M-0600020	
60.00	2.50	N70M-0600025	
60.00	3.00	N70M-0600030	N90M-0600030
60.00	3.50	N70M-0600035	
60.00	4.00	N70M-0600040	N90M-0600040
60.00	4.50	N70M-0600045	
60.00	5.00	N70M-0600050	N90M-0600050
60.00	6.00	N70M-0600060	
60.00	9.00	N70M-0600090	
61.00	1.50	N70M-0610015	
61.00	2.00	N70M-0610020	
61.00	2.50	N70M-0610025	
61.00	3.00	N70M-0610030	
61.00	3.50	N70M-0610035	N90M-0610035
61.00	4.00	N70M-0610040	
61.00	5.00	N70M-0610050	
61.00	6.00	N70M-0610060	
61.60	5.70	N70M-P062	N90M-P062
62.00	1.00	N70M-0620010	
62.00	1.50	N70M-0620015	
62.00	2.00	N70M-0620020	N90M-0620020
62.00	2.50	N70M-0620025	
62.00	3.00	N70M-0620030	N90M-0620030
62.00	3.50	N70M-0620035	
62.00	4.00	N70M-0620040	
62.00	5.00	N70M-0620050	N90M-0620050
62.00	6.00	N70M-0620060	
62.20	3.00	N70M-0622030	
62.30	5.70	N70M-0623057	
62.60	5.70	N70M-P063	N90M-P063
63.00	1.20	N70M-0630012	
63.00	1.50	N70M-0630015	
63.00	2.00	N70M-0630020	
63.00	2.50	N70M-0630025	
63.00	3.00	N70M-0630030	N90M-0630030
63.00	3.50	N70M-0630035	
63.00	4.00	N70M-0630040	
63.00	5.00	N70M-0630050	
63.00	6.00	N70M-0630060	
64.00	1.50	N70M-0640015	



**NITRILE
70 DURO**

**NITRILE
90 DURO**

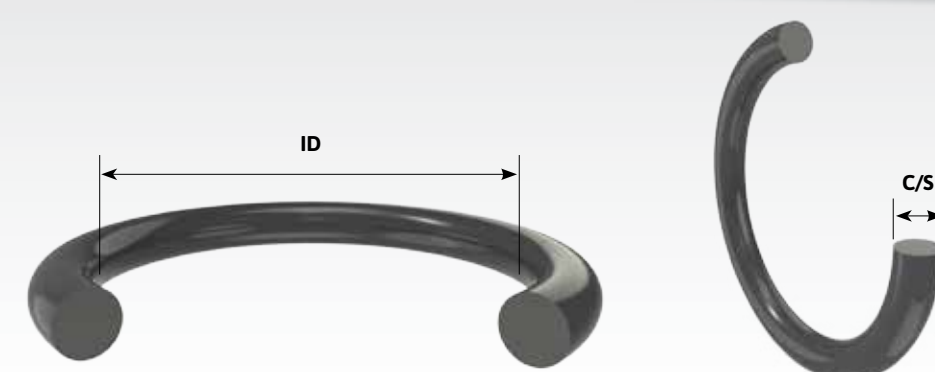
ID	C/S	PART N ^o	PART N ^o
64.00	2.00	N70M-0640020	
64.00	2.50	N70M-0640025	
64.00	3.00	N70M-0640030	
64.00	3.50	N70M-0640035	
64.00	4.00	N70M-0640040	
64.00	5.00	N70M-0640050	
64.00	6.00	N70M-0640060	
64.30	5.70	N70M-0643057	
64.40	3.10	N70M-G065	N90M-G065
64.50	3.00	N70M-0645030	N90M-0645030
64.60	2.40	N70M-0646024	N90M-0646024
64.60	5.70	N70M-P065	N90M-P065
65.00	1.00	N70M-0650010	
65.00	1.50	N70M-0650015	
65.00	2.00	N70M-0650020	
65.00	2.50	N70M-0650025	
65.00	3.00	N70M-0650030	N90M-0650030
65.00	3.50	N70M-0650035	
65.00	4.00	N70M-0650040	
65.00	4.50	N70M-0650045	
65.00	5.00	N70M-0650050	
65.00	6.00	N70M-0650060	
66.00	1.50	N70M-0660015	
66.00	2.00	N70M-0660020	
66.00	2.50	N70M-0660025	
66.00	3.00	N70M-0660030	
66.00	3.50	N70M-0660035	
66.00	4.00	N70M-0660040	
66.00	5.00	N70M-0660050	
66.00	6.00	N70M-0660060	
66.60	5.70	N70M-P067	
67.00	1.50	N70M-0670015	N90M-0670015
67.00	2.00	N70M-0670020	
67.00	2.50	N70M-0670025	N90M-0670025
67.00	3.00	N70M-0670030	N90M-0670030
67.00	3.50	N70M-0670035	
67.00	4.00	N70M-0670040	N90M-0670040
67.00	5.00	N70M-0670050	
67.00	6.00	N70M-0670060	
67.60	2.40	N70M-0676024	
68.00	1.50	N70M-0680015	
68.00	2.00	N70M-0680020	



**NITRILE
70 DURO**

**NITRILE
90 DURO**

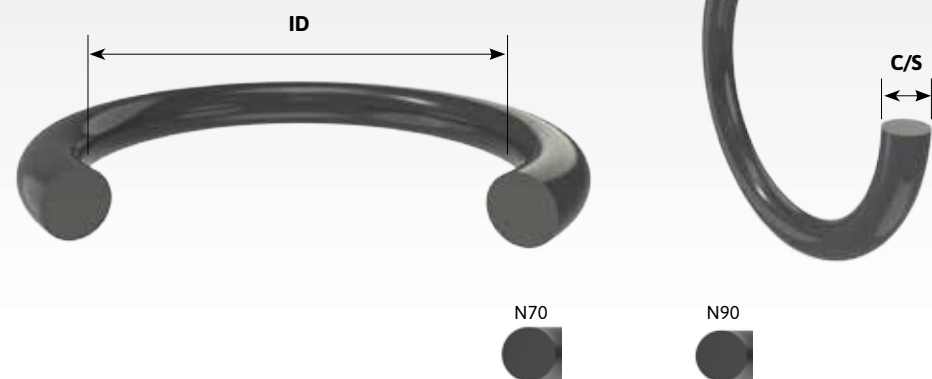
ID	C/S	PART N ^o	PART N ^o
68.00	2.50	N70M-0680025	
68.00	3.00	N70M-0680030	
68.00	3.50	N70M-0680035	
68.00	4.00	N70M-0680040	
68.00	5.00	N70M-0680050	
68.00	6.00	N70M-0680060	
69.00	1.50	N70M-0690015	
69.00	2.00	N70M-0690020	
69.00	2.50	N70M-0690025	
69.00	3.00	N70M-0690030	
69.00	3.50	N70M-0690035	
69.00	4.00	N70M-0690040	
69.00	5.00	N70M-0690050	
69.00	6.00	N70M-0690060	
69.30	5.70	N70M-0693057	
69.40	3.10	N70M-G070	N90M-G070
69.50	3.00	N70M-0695030	N90M-0695030
69.60	2.40	N70M-0696024	
69.60	5.70	N70M-P070	N90M-P070
70.00	1.00	N70M-0700010	
70.00	1.50	N70M-0700015	
70.00	2.00	N70M-0700020	N90M-0700020
70.00	2.50	N70M-0700025	
70.00	3.00	N70M-0700030	N90M-0700030
70.00	3.50	N70M-0700035	
70.00	4.00	N70M-0700040	N90M-0700040
70.00	4.50	N70M-0700045	
70.00	5.00	N70M-0700050	N90M-0700050
70.00	6.00	N70M-0700060	
70.00	7.00	N70M-0700070	
70.60	5.70	N70M-P071	
71.00	2.00	N70M-0710020	N90M-0710020
71.00	2.50	N70M-0710025	
71.00	3.00	N70M-0710030	
71.00	3.50	N70M-0710035	
71.00	4.00	N70M-0710040	N90M-0710040
71.00	5.00	N70M-0710050	
72.00	1.50	N70M-0720015	
72.00	2.00	N70M-0720020	
72.00	2.50	N70M-0720025	N90M-0720025
72.00	3.00	N70M-0720030	N90M-0720030
72.00	3.50	N70M-0720035	



**NITRILE
70 DURO**

**NITRILE
90 DURO**

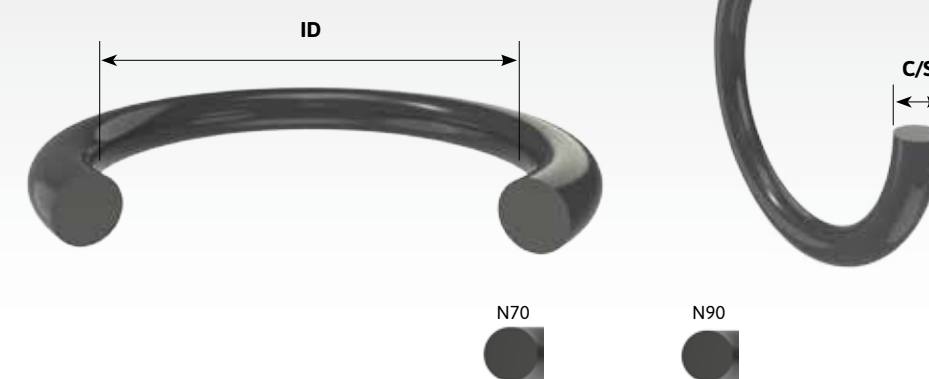
ID	C/S	PART N ^o	PART N ^o
72.00	4.00	N70M-0720040	
72.00	5.00	N70M-0720050	
72.00	6.00	N70M-0720060	
73.00	1.50	N70M-0730015	
73.00	2.00	N70M-0730020	
73.00	2.50	N70M-0730025	
73.00	3.00	N70M-0730030	
73.00	3.50	N70M-0730035	
73.00	4.00	N70M-0730040	
73.00	5.00	N70M-0730050	
73.00	6.00	N70M-0730060	
74.00	1.00	N70M-0740010	
74.00	1.50	N70M-0740015	
74.00	2.00	N70M-0740020	
74.00	2.50	N70M-0740025	
74.00	3.00	N70M-0740030	
74.00	3.50	N70M-0740035	
74.00	4.00	N70M-0740040	
74.00	5.00	N70M-0740050	
74.00	6.00	N70M-0740060	
74.30	5.70	N70M-0743057	
74.40	3.10	N70M-G075	N90M-G075
74.50	3.00	N70M-0745030	N90M-0745030
74.60	5.70	N70M-P075	N90M-P075
75.00	1.50	N70M-0750015	
75.00	2.00	N70M-0750020	
75.00	2.50	N70M-0750025	
75.00	3.00	N70M-0750030	N90M-0750030
75.00	3.50	N70M-0750035	
75.00	4.00	N70M-0750040	N90M-0750040
75.00	4.50	N70M-0750045	
75.00	5.00	N70M-0750050	
75.00	6.00	N70M-0750060	
75.00	8.00	N70M-0750080	
76.00	1.50	N70M-0760015	
76.00	2.00	N70M-0760020	
76.00	2.50	N70M-0760025	
76.00	3.00	N70M-0760030	
76.00	3.50	N70M-0760035	
76.00	4.00	N70M-0760040	
76.00	5.00	N70M-0760050	
76.00	6.00	N70M-0760060	



**NITRILE
70 DURO**

**NITRILE
90 DURO**

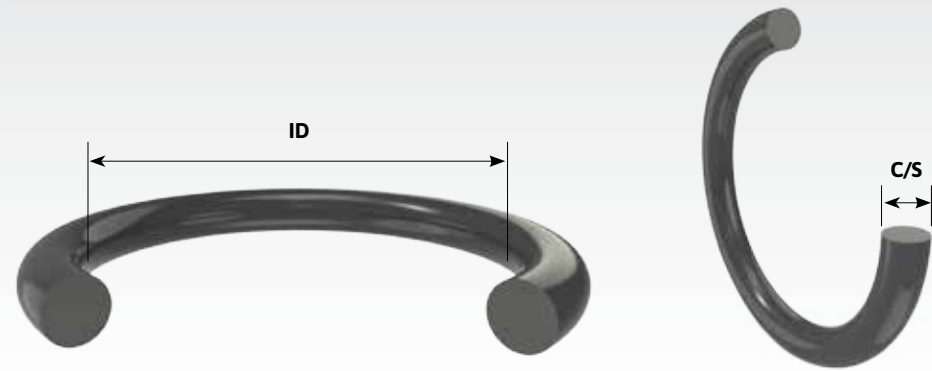
ID	C/S	PART N ^o	PART N ^o
77.00	1.50	N70M-0770015	
77.00	2.00	N70M-0770020	
77.00	2.50	N70M-0770025	N90M-0770025
77.00	3.00	N70M-0770030	
77.00	3.50	N70M-0770035	
77.00	4.00	N70M-0770040	N90M-0770040
77.00	5.00	N70M-0770050	
77.20	5.70	N70M-0772057	
78.00	1.50	N70M-0780015	
78.00	2.00	N70M-0780020	N90M-0780020
78.00	2.50	N70M-0780025	
78.00	3.00	N70M-0780030	
78.00	3.50	N70M-0780035	N90M-0780035
78.00	4.00	N70M-0780040	N90M-0780040
78.00	5.00	N70M-0780050	
78.00	6.00	N70M-0780060	
79.00	1.50	N70M-0790015	
79.00	2.00	N70M-0790020	
79.00	2.50	N70M-0790025	N90M-0790025
79.00	3.00	N70M-0790030	
79.00	3.50	N70M-0790035	
79.00	4.00	N70M-0790040	
79.00	5.00	N70M-0790050	
79.00	6.00	N70M-0790060	
79.30	5.70	N70M-0793057	
79.40	3.10	N70M-G080	N90M-G080
79.50	3.00	N70M-0795030	
79.60	5.70	N70M-P080	N90M-P080
80.00	1.50	N70M-0800015	
80.00	2.00	N70M-0800020	
80.00	2.50	N70M-0800025	
80.00	3.00	N70M-0800030	N90M-0800030
80.00	3.50	N70M-0800035	
80.00	4.00	N70M-0800040	N90M-0800040
80.00	4.50	N70M-0800045	
80.00	5.00	N70M-0800050	N90M-0800050
80.00	6.00	N70M-0800060	
80.00	8.00	N70M-0800080	
81.00	1.50	N70M-0810015	
81.00	2.00	N70M-0810020	
81.00	2.50	N70M-0810025	
81.00	3.00	N70M-0810030	



**NITRILE
70 DURO**

**NITRILE
90 DURO**

ID	C/S	PART N ^o	PART N ^o
81.00	3.50	N70M-0810035	
81.00	4.00	N70M-0810040	
81.00	5.00	N70M-0810050	N90M-0810050
81.00	6.00	N70M-0810060	
82.00	1.50	N70M-0820015	
82.00	2.00	N70M-0820020	N90M-0820020
82.00	2.50	N70M-0820025	
82.00	3.00	N70M-0820030	N90M-0820030
82.00	3.50	N70M-0820035	
82.00	4.00	N70M-0820040	
82.00	5.00	N70M-0820050	
82.00	6.00	N70M-0820060	
83.00	1.50	N70M-0830015	
83.00	2.00	N70M-0830020	
83.00	2.50	N70M-0830025	
83.00	3.00	N70M-0830030	
83.00	3.50	N70M-0830035	
83.00	4.00	N70M-0830040	
83.00	5.00	N70M-0830050	
84.00	1.50	N70M-0840015	
84.00	2.00	N70M-0840020	
84.00	2.50	N70M-0840025	
84.00	3.00	N70M-0840030	N90M-0840030
84.00	3.50	N70M-0840035	
84.00	4.00	N70M-0840040	
84.00	5.00	N70M-0840050	
84.00	6.00	N70M-0840060	
84.30	5.70	N70M-0843057	
84.40	3.10	N70M-G085	N90M-G085
84.50	3.00	N70M-0845030	N90M-0845030
84.60	5.70	N70M-P085	N90M-P085
85.00	1.50	N70M-0850015	
85.00	2.00	N70M-0850020	
85.00	2.50	N70M-0850025	
85.00	3.00	N70M-0850030	N90M-0850030
85.00	3.50	N70M-0850035	
85.00	4.00	N70M-0850040	
85.00	4.50	N70M-0850045	
85.00	5.00	N70M-0850050	
85.00	6.00	N70M-0850060	
85.00	7.00	N70M-0850070	
86.00	1.50	N70M-0860015	



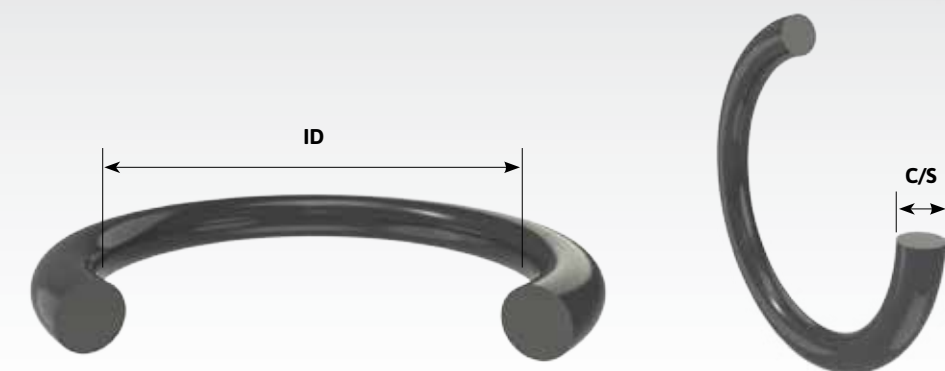
N70

N90

**NITRILE
70 DURO**

**NITRILE
90 DURO**

ID	C/S	PART N ^o	PART N ^o
86.00	2.00	N70M-0860020	
86.00	2.50	N70M-0860025	N90M-0860025
86.00	3.00	N70M-0860030	
86.00	3.50	N70M-0860035	
86.00	4.00	N70M-0860040	
86.00	5.00	N70M-0860050	
86.00	6.00	N70M-0860060	
87.00	1.50	N70M-0870015	
87.00	2.00	N70M-0870020	
87.00	2.50	N70M-0870025	
87.00	3.00	N70M-0870030	
87.00	3.50	N70M-0870035	
87.00	4.00	N70M-0870040	
87.00	5.00	N70M-0870050	
88.00	1.50	N70M-0880015	
88.00	2.00	N70M-0880020	
88.00	2.50	N70M-0880025	
88.00	3.00	N70M-0880030	
88.00	3.50	N70M-0880035	
88.00	4.00	N70M-0880040	
88.00	5.00	N70M-0880050	N90M-0880050
88.00	6.00	N70M-0880060	
89.00	1.50	N70M-0890015	
89.00	2.00	N70M-0890020	
89.00	2.50	N70M-0890025	
89.00	3.00	N70M-0890030	
89.00	3.50	N70M-0890035	
89.00	4.00	N70M-0890040	
89.00	5.00	N70M-0890050	
89.30	5.70	N70M-0893057	N90M-0893057
89.40	3.10	N70M-G090	N90M-G090
89.50	3.00	N70M-0895030	N90M-0895030
89.60	5.70	N70M-P090	N90M-P090
90.00	1.00	N70M-0900010	
90.00	1.50	N70M-0900015	
90.00	2.00	N70M-0900020	
90.00	2.50	N70M-0900025	
90.00	3.00	N70M-0900030	
90.00	3.40	N70M-0900034	
90.00	3.50	N70M-0900035	N90M-0900035
90.00	4.00	N70M-0900040	
90.00	4.50	N70M-0900045	



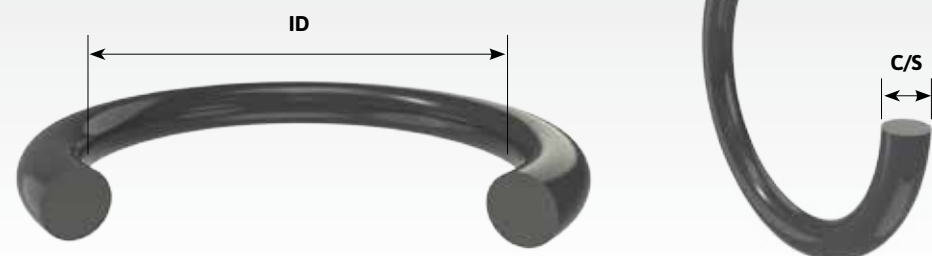
N70

N90

**NITRILE
70 DURO**

**NITRILE
90 DURO**

ID	C/S	PART N ^o	PART N ^o
90.00	5.00	N70M-0900050	
90.00	6.00	N70M-0900060	
90.00	10.00	N70M-0900100	
91.00	1.50	N70M-0910015	
91.00	2.00	N70M-0910020	
91.00	2.50	N70M-0910025	
91.00	3.00	N70M-0910030	
91.00	3.50	N70M-0910035	
91.00	4.00	N70M-0910040	
91.00	5.00	N70M-0910050	N90M-0910050
92.00	1.50	N70M-0920015	
92.00	2.00	N70M-0920020	
92.00	2.50	N70M-0920025	
92.00	3.00	N70M-0920030	
92.00	3.50	N70M-0920035	
92.00	4.00	N70M-0920040	
92.00	5.00	N70M-0920050	
92.00	6.00	N70M-0920060	
93.00	1.50	N70M-0930015	
93.00	2.00	N70M-0930020	
93.00	2.50	N70M-0930025	
93.00	3.00	N70M-0930030	N90M-0930030
93.00	3.50	N70M-0930035	
93.00	4.00	N70M-0930040	
93.00	5.00	N70M-0930050	
93.00	6.00	N70M-0930060	
94.00	1.00	N70M-0940010	
94.00	1.50	N70M-0940015	
94.00	2.00	N70M-0940020	
94.00	2.50	N70M-0940025	
94.00	3.00	N70M-0940030	N90M-0940030
94.00	3.50	N70M-0940035	
94.00	4.00	N70M-0940040	
94.00	5.00	N70M-0940050	
94.30	5.70	N70M-0943057	
94.40	3.10	N70M-G095	N90M-G095
94.50	3.00	N70M-0945030	N90M-0945030
94.60	5.70	N70M-P095	N90M-P095
95.00	1.50	N70M-0950015	
95.00	2.00	N70M-0950020	
95.00	2.50	N70M-0950025	
95.00	3.00	N70M-0950030	N90M-0950030



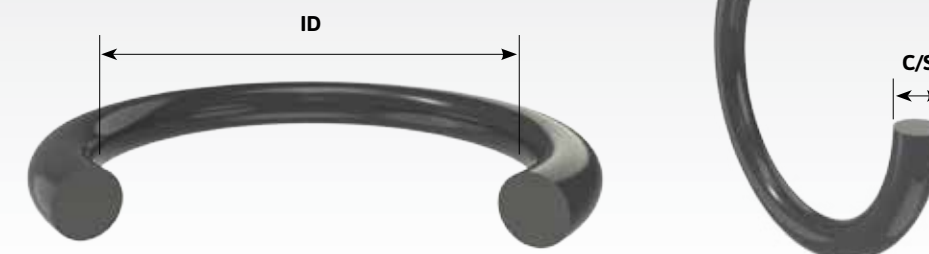
N70

N90

**NITRILE
70 DURO**

**NITRILE
90 DURO**

ID	C/S	PART N ^o	PART N ^o
95.00	3.50	N70M-0950035	
95.00	4.00	N70M-0950040	
95.00	4.50	N70M-0950045	
95.00	5.00	N70M-0950050	
95.00	6.00	N70M-0950060	
96.00	1.50	N70M-0960015	
96.00	2.00	N70M-0960020	
96.00	2.50	N70M-0960025	
96.00	3.00	N70M-0960030	
96.00	3.50	N70M-0960035	
96.00	4.00	N70M-0960040	
96.00	5.00	N70M-0960050	
96.00	6.00	N70M-0960060	
97.00	1.50	N70M-0970015	
97.00	2.00	N70M-0970020	
97.00	2.50	N70M-0970025	
97.00	3.00	N70M-0970030	
97.00	3.50	N70M-0970035	
97.00	4.00	N70M-0970040	
97.00	5.00	N70M-0970050	N90M-0970050
97.00	7.00	N70M-0970070	
98.00	1.50	N70M-0980015	
98.00	2.00	N70M-0980020	
98.00	2.50	N70M-0980025	
98.00	3.00	N70M-0980030	
98.00	3.50	N70M-0980035	
98.00	4.00	N70M-0980040	
98.00	5.00	N70M-0980050	
98.00	6.00	N70M-0980060	
99.00	1.50	N70M-0990015	
99.00	2.00	N70M-0990020	
99.00	2.50	N70M-0990025	
99.00	3.00	N70M-0990030	
99.00	3.50	N70M-0990035	
99.00	4.00	N70M-0990040	
99.00	5.00	N70M-0990050	
99.00	6.00	N70M-0990060	
99.30	5.70	N70M-0993057	
99.40	3.10	N70M-G100	N90M-G100
99.50	3.00	N70M-0995030	N90M-0995030
99.60	5.70	N70M-P100	N90M-P100
100.00	1.00	N70M-1000010	



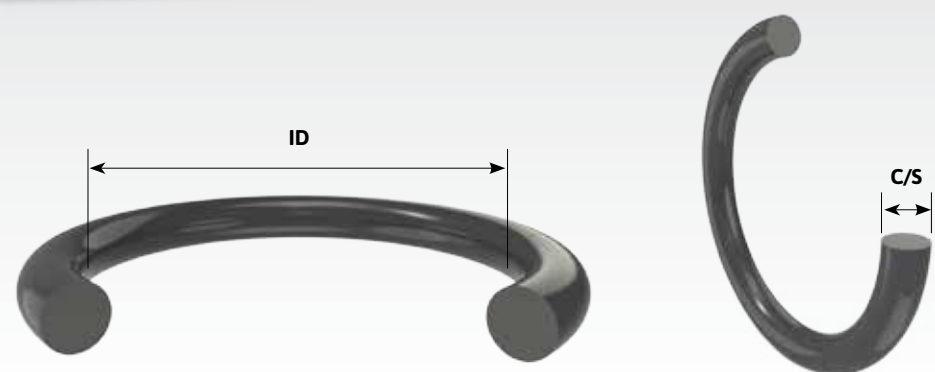
N70

N90

**NITRILE
70 DURO**

**NITRILE
90 DURO**

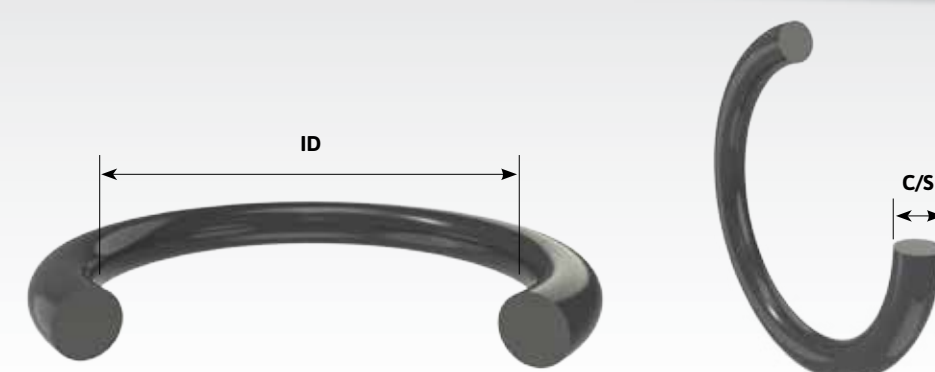
ID	C/S	PART N ^o	PART N ^o
100.00	1.50	N70M-1000015	
100.00	2.00	N70M-1000020	
100.00	2.50	N70M-1000025	
100.00	3.00	N70M-1000030	N90M-1000030
100.00	3.50	N70M-1000035	
100.00	4.00	N70M-1000040	N90M-1000040
100.00	4.50	N70M-1000045	
100.00	5.00	N70M-1000050	N90M-1000050
100.00	6.00	N70M-1000060	
100.00	8.00	N70M-1000080	
100.00	10.00	N70M-1000100	
101.00	2.50	N70M-1010025	
101.00	3.00	N70M-1010030	
101.00	3.50	N70M-1010035	
101.00	4.00	N70M-1010040	
101.00	5.00	N70M-1010050	
101.00	6.00	N70M-1010060	
101.60	5.70	N70M-P102	N90M-1016057
102.00	2.00	N70M-1020020	
102.00	2.50	N70M-1020025	
102.00	3.00	N70M-1020030	
102.00	3.50	N70M-1020035	
102.00	4.00	N70M-1020040	
102.00	5.00	N70M-1020050	
103.00	2.50	N70M-1030025	
103.00	3.00	N70M-1030030	
103.00	3.50	N70M-1030035	
103.00	4.00	N70M-1030040	
103.00	5.00	N70M-1030050	
103.00	6.00	N70M-1030060	
104.00	2.50	N70M-1040025	
104.00	3.00	N70M-1040030	
104.00	3.50	N70M-1040035	
104.00	4.00	N70M-1040040	
104.00	5.00	N70M-1040050	
104.00	6.00	N70M-1040060	
104.30	5.70	N70M-1043057	N90M-1043057
104.40	3.10	N70M-G105	N90M-G105
104.50	3.00	N70M-1045030	N90M-1045030
104.60	5.70	N70M-P105	N90M-P105
105.00	1.50	N70M-1050015	
105.00	2.00	N70M-1050020	



**NITRILE
70 DURO**

**NITRILE
90 DURO**

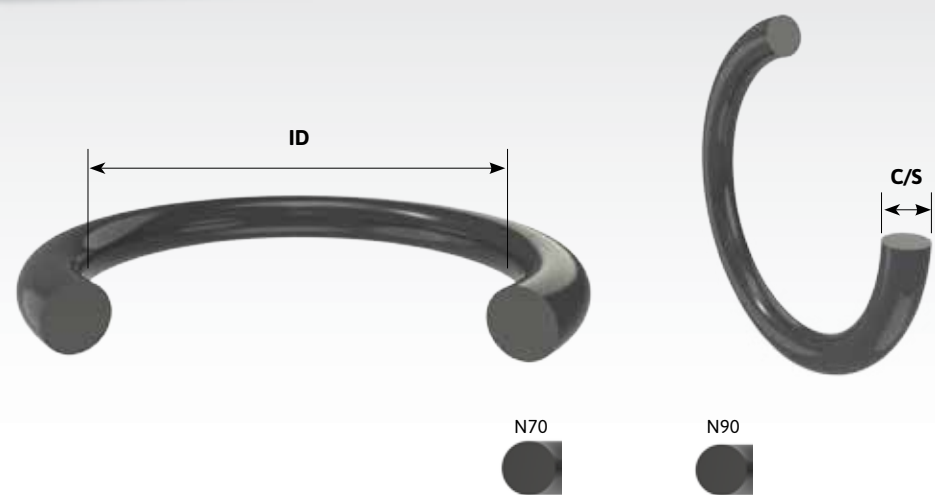
ID	C/S	PART N ^o	PART N ^o
105.00	2.50	N70M-1050025	
105.00	3.00	N70M-1050030	
105.00	3.50	N70M-1050035	
105.00	4.00	N70M-1050040	
105.00	5.00	N70M-1050050	
105.00	6.00	N70M-1050060	
106.00	2.00	N70M-1060020	
106.00	2.50	N70M-1060025	
106.00	3.00	N70M-1060030	N90M-1060030
106.00	3.50	N70M-1060035	
106.00	4.00	N70M-1060040	
106.00	5.00	N70M-1060050	
106.00	6.00	N70M-1060060	
107.00	2.00	N70M-1070020	
107.00	2.50	N70M-1070025	
107.00	3.00	N70M-1070030	
107.00	3.50	N70M-1070035	
107.00	4.00	N70M-1070040	
107.00	5.00	N70M-1070050	
108.00	2.50	N70M-1080025	
108.00	3.00	N70M-1080030	
108.00	3.50	N70M-1080035	
108.00	4.00	N70M-1080040	
108.00	5.00	N70M-1080050	N90M-1080050
108.00	6.00	N70M-1080060	
109.00	2.50	N70M-1090025	
109.00	3.00	N70M-1090030	
109.00	3.50	N70M-1090035	
109.00	4.00	N70M-1090040	
109.00	5.00	N70M-1090050	
109.30	5.70	N70M-1093057	
109.40	3.10	N70M-G110	N90M-G110
109.50	3.00	N70M-1095030	
109.60	5.70	N70M-P110	N90M-P110
110.00	1.50	N70M-1100015	
110.00	2.00	N70M-1100020	N90M-1100020
110.00	2.50	N70M-1100025	
110.00	3.00	N70M-1100030	
110.00	3.50	N70M-1100035	
110.00	4.00	N70M-1100040	
110.00	5.00	N70M-1100050	N90M-1100050
110.00	6.00	N70M-1100060	



**NITRILE
70 DURO**

**NITRILE
90 DURO**

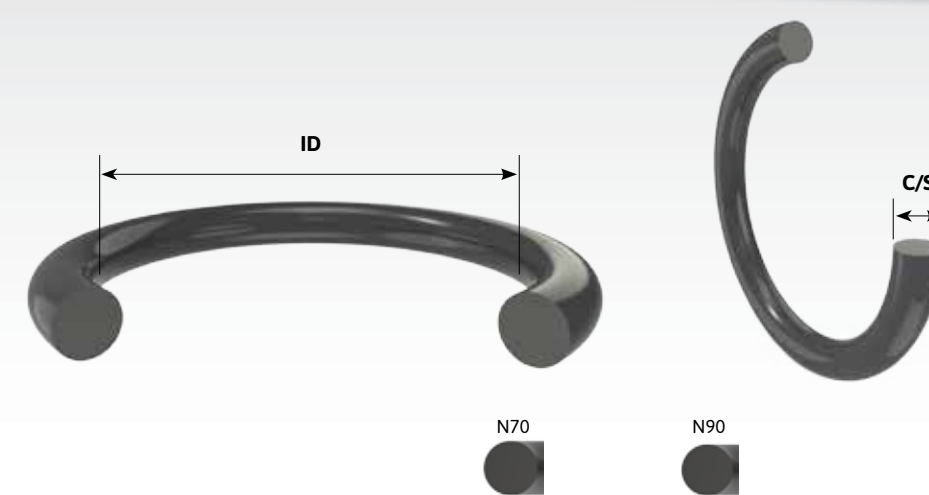
ID	C/S	PART N ^o	PART N ^o
111.00	2.50	N70M-1110025	
111.00	3.00	N70M-1110030	
111.00	3.50	N70M-1110035	
111.00	4.00	N70M-1110040	
111.00	5.00	N70M-1110050	
111.00	6.00	N70M-1110060	
111.60	5.70	N70M-P112	
112.00	1.50	N70M-1120015	
112.00	2.00	N70M-1120020	
112.00	2.50	N70M-1120025	
112.00	3.00	N70M-1120030	N90M-1120030
112.00	3.50	N70M-1120035	
112.00	4.00	N70M-1120040	
112.00	5.00	N70M-1120050	
112.00	6.00	N70M-1120060	
113.00	2.50	N70M-1130025	
113.00	3.00	N70M-1130030	
113.00	3.50	N70M-1130035	
113.00	4.00	N70M-1130040	
113.00	5.00	N70M-1130050	
114.00	2.00	N70M-1140020	
114.00	2.50	N70M-1140025	
114.00	3.00	N70M-1140030	
114.00	3.50	N70M-1140035	
114.00	4.00	N70M-1140040	
114.00	5.00	N70M-1140050	
114.00	6.00	N70M-1140060	
114.00	10.00	N70M-1140100	
114.30	5.70	N70M-1143057	
114.40	3.10	N70M-G115	N90M-G115
114.50	3.00	N70M-1145030	N90M-1145030
114.60	5.70	N70M-P115	N90M-P115
115.00	2.00	N70M-1150020	
115.00	2.50	N70M-1150025	
115.00	3.00	N70M-1150030	
115.00	3.50	N70M-1150035	
115.00	4.00	N70M-1150040	
115.00	5.00	N70M-1150050	N90M-1150050
115.00	6.00	N70M-1150060	
115.00	8.00	N70M-1150080	
116.00	2.50	N70M-1160025	
116.00	3.00	N70M-1160030	



**NITRILE
70 DURO**

**NITRILE
90 DURO**

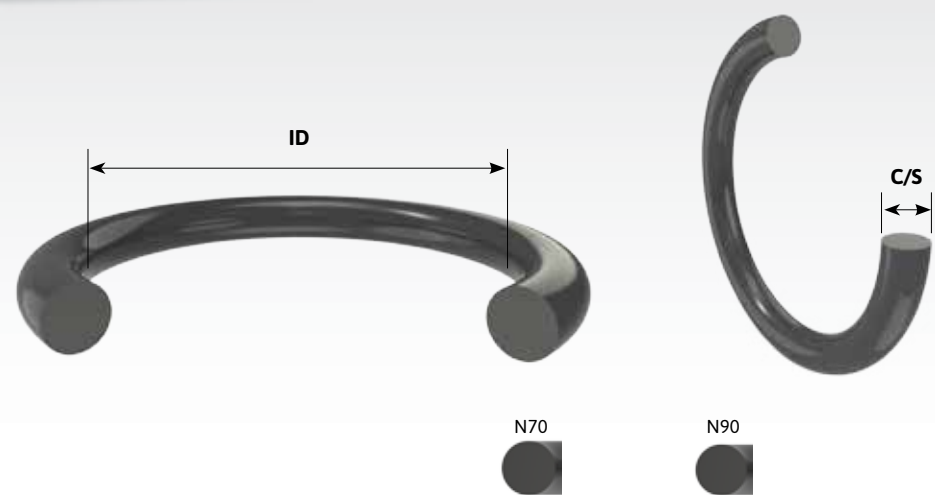
ID	C/S	PART N ^o	PART N ^o
116.00	3.50	N70M-1160035	
116.00	4.00	N70M-1160040	
116.00	5.00	N70M-1160050	
116.00	6.00	N70M-1160060	
117.00	2.50	N70M-1170025	
117.00	3.00	N70M-1170030	
117.00	3.50	N70M-1170035	
117.00	4.00	N70M-1170040	N90M-1170040
117.00	5.00	N70M-1170050	
118.00	2.00	N70M-1180020	
118.00	2.50	N70M-1180025	
118.00	3.00	N70M-1180030	
118.00	3.50	N70M-1180035	
118.00	4.00	N70M-1180040	
118.00	5.00	N70M-1180050	
118.00	6.00	N70M-1180060	
119.00	2.50	N70M-1190025	
119.00	3.00	N70M-1190030	
119.00	3.50	N70M-1190035	
119.00	4.00	N70M-1190040	
119.00	5.00	N70M-1190050	
119.30	5.70	N70M-1193057	
119.40	3.10	N70M-G120	N90M-G120
119.50	3.00	N70M-1195030	N90M-1195030
119.60	5.70	N70M-P120	N90M-P120
120.00	2.00	N70M-1200020	
120.00	2.50	N70M-1200025	
120.00	3.00	N70M-1200030	N90M-1200030
120.00	3.50	N70M-1200035	
120.00	4.00	N70M-1200040	
120.00	4.50	N70M-1200045	
120.00	5.00	N70M-1200050	
120.00	6.00	N70M-1200060	
121.00	2.50	N70M-1210025	
121.00	3.00	N70M-1210030	
121.00	4.00	N70M-1210040	
121.00	5.00	N70M-1210050	
122.00	2.00	N70M-1220020	
122.00	2.50	N70M-1220025	
122.00	3.00	N70M-1220030	
122.00	3.50	N70M-1220035	
122.00	4.00	N70M-1220040	



**NITRILE
70 DURO**

**NITRILE
90 DURO**

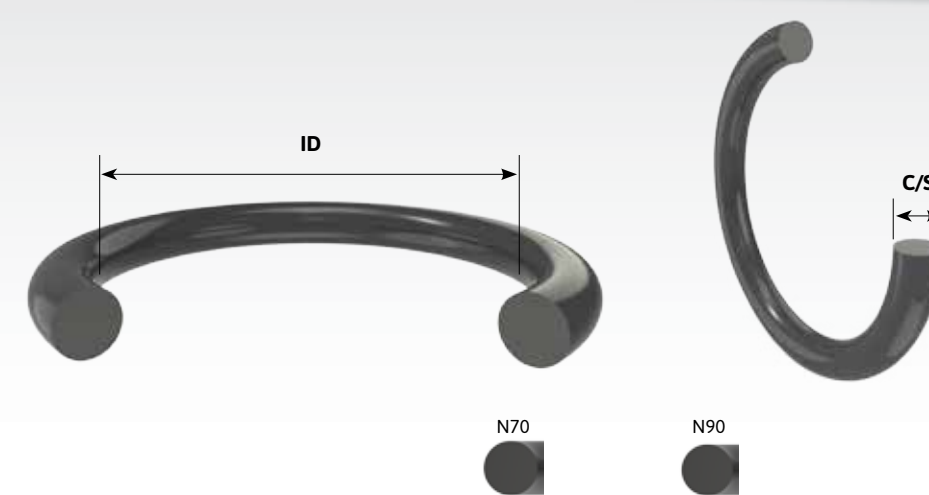
ID	C/S	PART N ^o	PART N ^o
122.00	5.00	N70M-1220050	
122.00	6.00	N70M-1220060	
122.00	8.00	N70M-1220080	
123.00	2.00	N70M-1230020	
123.00	2.50	N70M-1230025	
123.00	3.00	N70M-1230030	N90M-1230030
123.00	3.50	N70M-1230035	
123.00	4.00	N70M-1230040	
123.00	5.00	N70M-1230050	
123.00	6.00	N70M-1230060	
124.00	2.50	N70M-1240025	
124.00	3.00	N70M-1240030	
124.00	3.50	N70M-1240035	
124.00	4.00	N70M-1240040	
124.00	5.00	N70M-1240050	
124.00	6.00	N70M-1240060	
124.30	5.70	N70M-1243057	
124.40	3.10	N70M-G125	N90M-G125
124.50	3.00	N70M-1245030	N90M-1245030
124.60	5.70	N70M-P125	N90M-P125
125.00	2.00	N70M-1250020	
125.00	2.50	N70M-1250025	
125.00	3.00	N70M-1250030	
125.00	3.50	N70M-1250035	
125.00	4.00	N70M-1250040	
125.00	5.00	N70M-1250050	
125.00	6.00	N70M-1250060	
126.00	2.50	N70M-1260025	
126.00	3.00	N70M-1260030	
126.00	3.50	N70M-1260035	
126.00	4.00	N70M-1260040	
126.00	5.00	N70M-1260050	
127.00	2.50	N70M-1270025	
127.00	3.00	N70M-1270030	
127.00	3.50	N70M-1270035	
127.00	4.00	N70M-1270040	
127.00	5.00	N70M-1270050	
128.00	2.00	N70M-1280020	
128.00	2.50	N70M-1280025	
128.00	3.00	N70M-1280030	N90M-1280030
128.00	3.50	N70M-1280035	
128.00	4.00	N70M-1280040	



**NITRILE
70 DURO**

**NITRILE
90 DURO**

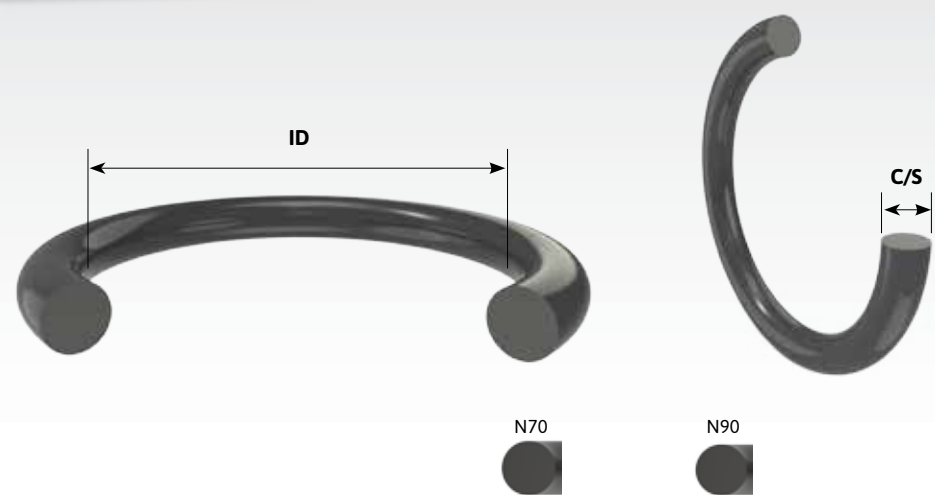
ID	C/S	PART N ^o	PART N ^o
128.00	5.00	N70M-1280050	
128.00	6.00	N70M-1280060	
129.00	2.50	N70M-1290025	
129.00	3.00	N70M-1290030	
129.00	3.50	N70M-1290035	
129.00	4.00	N70M-1290040	
129.00	5.00	N70M-1290050	
129.30	5.70	N70M-1293057	
129.40	3.10	N70M-G130	N90M-G130
129.50	3.00	N70M-1295030	
129.60	5.70	N70M-P130	N90M-P130
130.00	2.00	N70M-1300020	
130.00	2.50	N70M-1300025	
130.00	3.00	N70M-1300030	
130.00	3.50	N70M-1300035	
130.00	4.00	N70M-1300040	
130.00	5.00	N70M-1300050	
130.00	6.00	N70M-1300060	
131.00	2.50	N70M-1310025	
131.00	3.00	N70M-1310030	
131.00	3.50	N70M-1310035	
131.00	4.00	N70M-1310040	
131.00	5.00	N70M-1310050	
131.60	5.70	N70M-P132	
132.00	2.00	N70M-1320020	
132.00	2.50	N70M-1320025	
132.00	3.00	N70M-1320030	N90M-1320030
132.00	3.50	N70M-1320035	
132.00	4.00	N70M-1320040	
132.00	5.00	N70M-1320050	
132.00	6.00	N70M-1320060	
133.00	2.50	N70M-1330025	
133.00	3.00	N70M-1330030	
133.00	3.50	N70M-1330035	
133.00	4.00	N70M-1330040	
133.00	5.00	N70M-1330050	
134.00	2.50	N70M-1340025	
134.00	3.00	N70M-1340030	
134.00	4.00	N70M-1340040	
134.00	5.00	N70M-1340050	
134.00	6.00	N70M-1340060	
134.30	5.70	N70M-1343057	



**NITRILE
70 DURO**

**NITRILE
90 DURO**

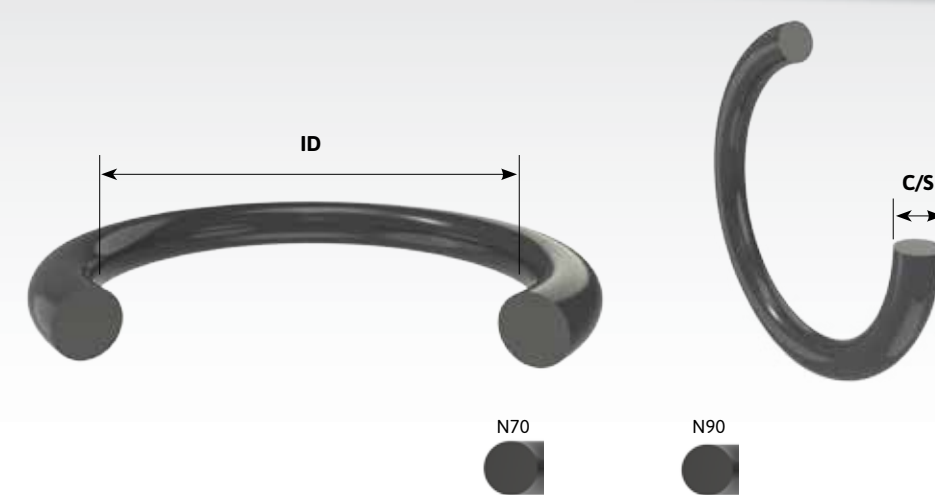
ID	C/S	PART N ^o	PART N ^o
134.40	3.10	N70M-G135	N90M-G135
134.50	2.00	N70M-1345020	
134.50	3.00	N70M-1345030	N90M-1345030
134.60	5.70	N70M-P135	N90M-P135
135.00	1.50	N70M-1350015	
135.00	2.00	N70M-1350020	
135.00	2.50	N70M-1350025	
135.00	3.00	N70M-1350030	N90M-1350030
135.00	3.50	N70M-1350035	
135.00	4.00	N70M-1350040	
135.00	5.00	N70M-1350050	N90M-1350050
135.00	6.00	N70M-1350060	
136.00	2.50	N70M-1360025	
136.00	3.00	N70M-1360030	
136.00	3.50	N70M-1360035	
136.00	4.00	N70M-1360040	
136.00	5.00	N70M-1360050	
136.00	6.00	N70M-1360060	
137.00	2.50	N70M-1370025	
137.00	3.00	N70M-1370030	
137.00	3.50	N70M-1370035	
137.00	4.00	N70M-1370040	
137.00	5.00	N70M-1370050	
138.00	2.10	N70M-1380021	
138.00	2.50	N70M-1380025	
138.00	3.00	N70M-1380030	
138.00	3.50	N70M-1380035	
138.00	4.00	N70M-1380040	
138.00	5.00	N70M-1380050	
138.00	6.00	N70M-1380060	
139.00	2.50	N70M-1390025	
139.00	3.00	N70M-1390030	
139.00	3.50	N70M-1390035	
139.00	4.00	N70M-1390040	
139.00	5.00	N70M-1390050	
139.00	6.00	N70M-1390060	
139.40	3.10	N70M-G140	N90M-G140
139.50	3.00	N70M-1395030	
139.60	5.70	N70M-P140	N90M-P140
139.90	5.70	N70M-1399057	
140.00	1.50	N70M-1400015	
140.00	2.00	N70M-1400020	



**NITRILE
70 DURO**

**NITRILE
90 DURO**

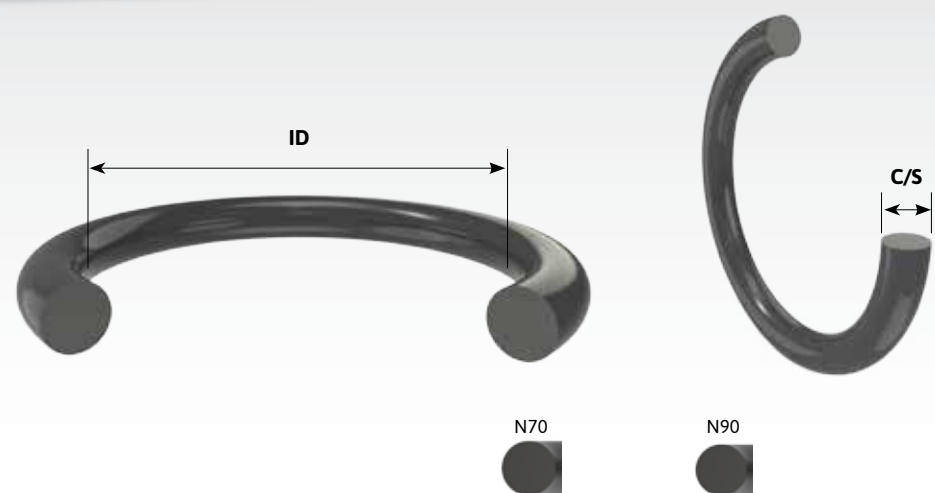
ID	C/S	PART N ^o	PART N ^o
140.00	2.50	N70M-1400025	
140.00	3.00	N70M-1400030	
140.00	3.50	N70M-1400035	
140.00	4.00	N70M-1400040	
140.00	5.00	N70M-1400050	
140.00	6.00	N70M-1400060	
140.00	8.00	N70M-1400080	
140.00	8.40	N70M-1400084	
141.00	2.50	N70M-1410025	
141.00	3.00	N70M-1410030	
141.00	3.50	N70M-1410035	
141.00	4.00	N70M-1410040	
141.00	5.00	N70M-1410050	
142.00	2.50	N70M-1420025	
142.00	3.00	N70M-1420030	
142.00	3.50	N70M-1420035	
142.00	4.00	N70M-1420040	
142.00	5.00	N70M-1420050	
142.00	6.00	N70M-1420060	
143.00	2.00	N70M-1430020	
143.00	2.50	N70M-1430025	
143.00	3.00	N70M-1430030	
143.00	3.50	N70M-1430035	
143.00	4.00	N70M-1430040	
143.00	5.00	N70M-1430050	
144.00	2.50	N70M-1440025	
144.00	3.00	N70M-1440030	
144.00	3.50	N70M-1440035	
144.00	4.00	N70M-1440040	
144.00	5.00	N70M-1440050	
144.00	8.00	N70M-1440080	
144.00	8.40	N70M-1440084	
144.30	5.70	N70M-1443057	
144.40	3.10	N70M-G145	N90M-G145
144.50	3.00	N70M-1445030	N90M-1445030
144.60	5.70	N70M-P145	N90M-P145
145.00	2.50	N70M-1450025	
145.00	3.00	N70M-1450030	
145.00	3.50	N70M-1450035	
145.00	4.00	N70M-1450040	
145.00	5.00	N70M-1450050	
145.00	6.00	N70M-1450060	



**NITRILE
70 DURO**

**NITRILE
90 DURO**

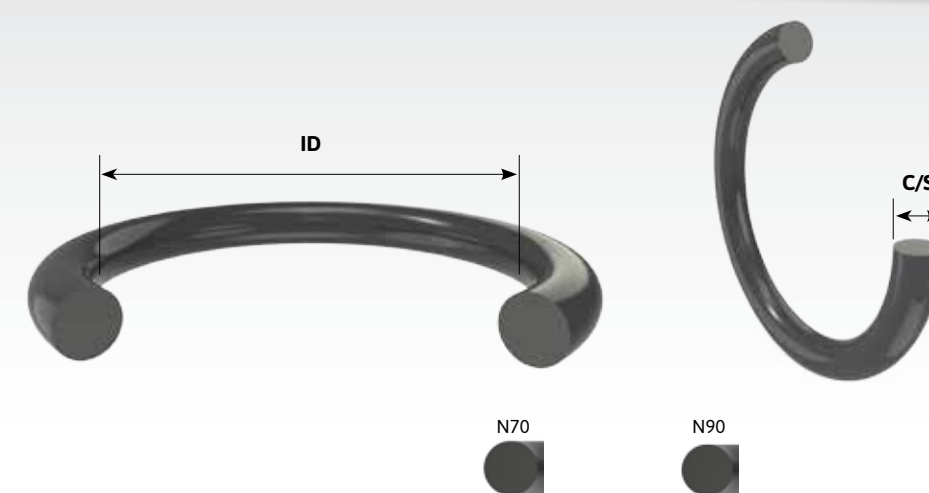
ID	C/S	PART N ^o	PART N ^o
145.00	8.00	N70M-1450080	
146.00	2.00	N70M-1460020	
146.00	2.50	N70M-1460025	
146.00	3.00	N70M-1460030	
146.00	3.50	N70M-1460035	
146.00	4.00	N70M-1460040	
146.00	5.00	N70M-1460050	
146.00	6.00	N70M-1460060	
147.00	2.50	N70M-1470025	
147.00	3.00	N70M-1470030	
147.00	3.50	N70M-1470035	
147.00	4.00	N70M-1470040	
147.00	5.00	N70M-1470050	
148.00	2.50	N70M-1480025	
148.00	3.00	N70M-1480030	
148.00	3.50	N70M-1480035	
148.00	4.00	N70M-1480040	
148.00	5.00	N70M-1480050	N90M-1480050
148.00	6.00	N70M-1480060	
149.00	2.50	N70M-1490025	
149.00	3.00	N70M-1490030	
149.00	3.50	N70M-1490035	
149.00	4.00	N70M-1490040	
149.00	5.00	N70M-1490050	
149.10	8.40	N70M-1491084	N90M-1491084
149.20	5.70	N70M-1492057	
149.30	5.70	N70M-G150	N90M-G150
149.50	3.00	N70M-1495030	
149.50	8.40	N70M-P150A	
149.60	5.70	N70M-P150	N90M-P150
150.00	2.00	N70M-1500020	
150.00	2.50	N70M-1500025	
150.00	3.00	N70M-1500030	
150.00	3.50	N70M-1500035	
150.00	4.00	N70M-1500040	
150.00	5.00	N70M-1500050	
150.00	6.00	N70M-1500060	
151.00	3.00	N70M-1510030	
151.00	3.50	N70M-1510035	
151.00	4.00	N70M-1510040	
151.00	5.00	N70M-1510050	
152.00	2.00	N70M-1520020	



**NITRILE
70 DURO**

**NITRILE
90 DURO**

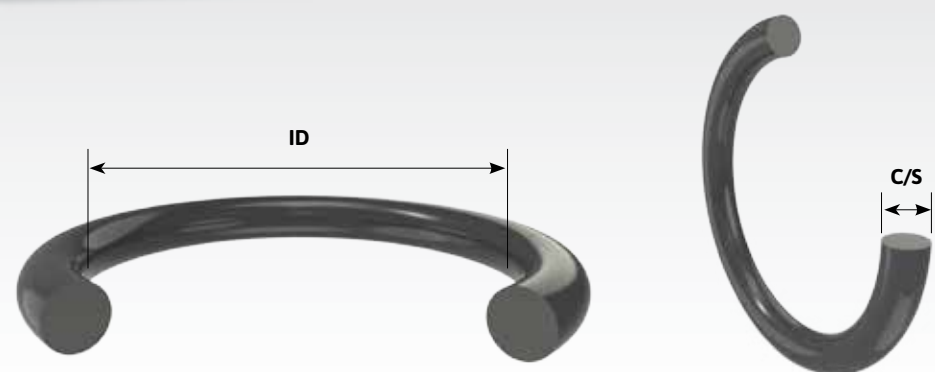
ID	C/S	PART N ^o	PART N ^o
152.00	3.00	N70M-1520030	
152.00	3.50	N70M-1520035	
152.00	4.00	N70M-1520040	
152.00	5.00	N70M-1520050	
152.50	2.50	N70M-1525025	
153.00	1.50	N70M-1530015	
153.00	2.50	N70M-1530025	
153.00	3.00	N70M-1530030	
153.00	3.50	N70M-1530035	
153.00	4.00	N70M-1530040	
153.00	5.00	N70M-1530050	
153.00	6.00	N70M-1530060	
154.00	2.50	N70M-1540025	
154.00	3.00	N70M-1540030	
154.00	3.50	N70M-1540035	
154.00	4.00	N70M-1540040	
154.00	5.00	N70M-1540050	
154.00	6.00	N70M-1540060	
154.00	8.40	N70M-1540084	
154.30	5.70	N70M-G155	N90M-G155
154.50	8.40	N70M-P155	
155.00	2.00	N70M-1550020	
155.00	2.50	N70M-1550025	
155.00	3.00	N70M-1550030	
155.00	3.50	N70M-1550035	
155.00	4.00	N70M-1550040	
155.00	5.00	N70M-1550050	
155.00	6.00	N70M-1550060	
156.00	2.00	N70M-1560020	
156.00	2.50	N70M-1560025	
156.00	3.00	N70M-1560030	
156.00	3.50	N70M-1560035	
156.00	4.00	N70M-1560040	
156.00	5.00	N70M-1560050	
156.00	6.00	N70M-1560060	
157.00	3.00	N70M-1570030	
157.00	3.50	N70M-1570035	
157.00	4.00	N70M-1570040	
157.00	5.00	N70M-1570050	
157.00	6.00	N70M-1570060	
158.00	3.00	N70M-1580030	
158.00	3.50	N70M-1580035	



**NITRILE
70 DURO**

**NITRILE
90 DURO**

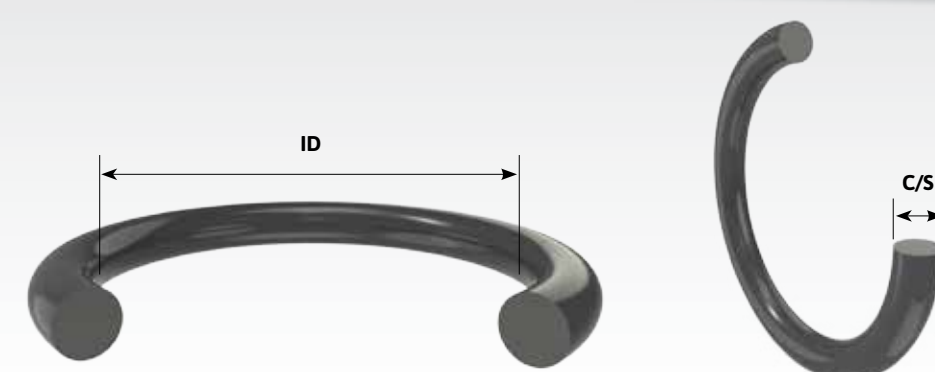
ID	C/S	PART N ^o	PART N ^o
158.00	4.00	N70M-1580040	
158.00	5.00	N70M-1580050	N90M-1580050
158.00	6.00	N70M-1580060	
159.00	3.00	N70M-1590030	
159.00	3.50	N70M-1590035	
159.00	4.00	N70M-1590040	
159.00	5.00	N70M-1590050	
159.00	6.00	N70M-1590060	
159.10	8.40	N70M-1591084	N90M-1591084
159.30	5.70	N70M-G160	N90M-G160
159.50	8.40	N70M-P160	
160.00	2.00	N70M-1600020	
160.00	2.50	N70M-1600025	
160.00	3.00	N70M-1600030	
160.00	3.50	N70M-1600035	
160.00	4.00	N70M-1600040	
160.00	5.00	N70M-1600050	
160.00	6.00	N70M-1600060	
160.00	7.50	N70M-1600075	
161.00	3.00	N70M-1610030	
161.00	3.50	N70M-1610035	
161.00	4.00	N70M-1610040	
161.00	5.00	N70M-1610050	
162.00	3.00	N70M-1620030	
162.00	3.50	N70M-1620035	
162.00	4.00	N70M-1620040	
162.00	5.00	N70M-1620050	
162.00	6.00	N70M-1620060	
163.00	3.00	N70M-1630030	
163.00	3.50	N70M-1630035	
163.00	4.00	N70M-1630040	
163.00	5.00	N70M-1630050	
163.00	6.00	N70M-1630060	
164.00	3.00	N70M-1640030	
164.00	3.50	N70M-1640035	
164.00	4.00	N70M-1640040	
164.00	5.00	N70M-1640050	
164.10	8.40	N70M-1641084	
164.30	5.70	N70M-G165	N90M-G165
164.50	3.00	N70M-1645030	
164.50	8.40	N70M-P165	
165.00	2.00	N70M-1650020	



**NITRILE
70 DURO**

**NITRILE
90 DURO**

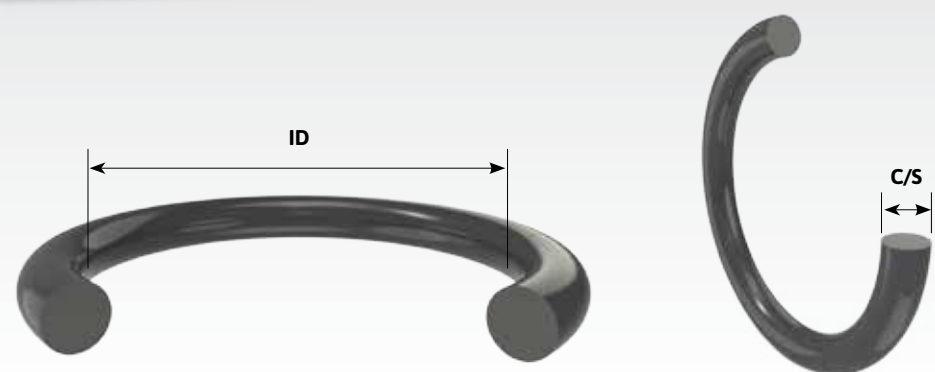
ID	C/S	PART N ^o	PART N ^o
165.00	2.50	N70M-1650025	
165.00	3.00	N70M-1650030	
165.00	3.50	N70M-1650035	
165.00	4.00	N70M-1650040	
165.00	5.00	N70M-1650050	
165.00	6.00	N70M-1650060	
166.00	3.00	N70M-1660030	
166.00	3.50	N70M-1660035	
166.00	4.00	N70M-1660040	
166.00	5.00	N70M-1660050	
166.00	6.00	N70M-1660060	
167.00	2.50	N70M-1670025	
167.00	3.00	N70M-1670030	
167.00	3.50	N70M-1670035	
167.00	4.00	N70M-1670040	
167.00	5.00	N70M-1670050	
168.00	3.00	N70M-1680030	
168.00	3.50	N70M-1680035	
168.00	4.00	N70M-1680040	
168.00	5.00	N70M-1680050	
169.00	3.00	N70M-1690030	
169.00	3.50	N70M-1690035	
169.00	4.00	N70M-1690040	
169.00	5.00	N70M-1690050	
169.00	8.40	N70M-1690084	
169.30	5.70	N70M-G170	N90M-G170
169.50	8.40	N70M-P170	
170.00	2.00	N70M-1700020	
170.00	2.50	N70M-1700025	
170.00	3.00	N70M-1700030	
170.00	3.50	N70M-1700035	
170.00	4.00	N70M-1700040	
170.00	5.00	N70M-1700050	
170.00	6.00	N70M-1700060	
171.00	3.00	N70M-1710030	
171.00	3.50	N70M-1710035	
171.00	4.00	N70M-1710040	
171.00	5.00	N70M-1710050	
172.00	3.00	N70M-1720030	
172.00	3.50	N70M-1720035	
172.00	4.00	N70M-1720040	
172.00	6.00	N70M-1720060	



**NITRILE
70 DURO**

**NITRILE
90 DURO**

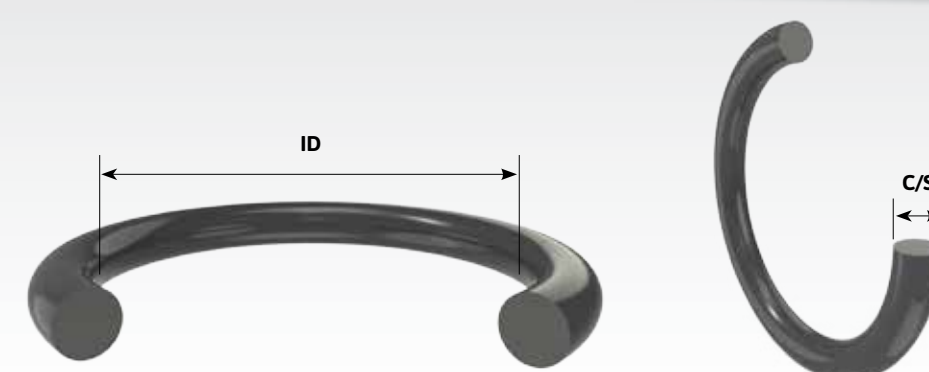
ID	C/S	PART N ^o	PART N ^o
173.00	3.00	N70M-1730030	
173.00	3.50	N70M-1730035	
173.00	4.00	N70M-1730040	
173.00	5.00	N70M-1730050	
174.00	3.00	N70M-1740030	
174.00	3.50	N70M-1740035	
174.00	4.00	N70M-1740040	
174.00	5.00	N70M-1740050	
174.00	8.40	N70M-1740084	
174.30	5.70	N70M-G175	N90M-G175
174.50	8.40	N70M-P175	N90M-P175
175.00	2.00	N70M-1750020	
175.00	2.50	N70M-1750025	
175.00	3.00	N70M-1750030	
175.00	3.50	N70M-1750035	
175.00	4.00	N70M-1750040	
175.00	5.00	N70M-1750050	
175.00	6.00	N70M-1750060	
176.00	3.00	N70M-1760030	
176.00	3.50	N70M-1760035	
176.00	4.00	N70M-1760040	
176.00	5.00	N70M-1760050	
176.00	6.00	N70M-1760060	
177.00	3.00	N70M-1770030	
177.00	3.50	N70M-1770035	
177.00	4.00	N70M-1770040	
177.00	5.00	N70M-1770050	
177.00	6.00	N70M-1770060	
178.00	3.00	N70M-1780030	
178.00	3.50	N70M-1780035	
178.00	4.00	N70M-1780040	
178.00	5.00	N70M-1780050	
179.00	2.50	N70M-1790025	
179.00	3.00	N70M-1790030	
179.00	3.50	N70M-1790035	
179.00	4.00	N70M-1790040	
179.00	5.00	N70M-1790050	
179.00	8.40	N70M-1790084	
179.30	5.70	N70M-G180	N90M-G180
179.50	3.00	N70M-1795030	N90M-1795030
179.50	8.40	N70M-P180	
180.00	2.00	N70M-1800020	



**NITRILE
70 DURO**

**NITRILE
90 DURO**

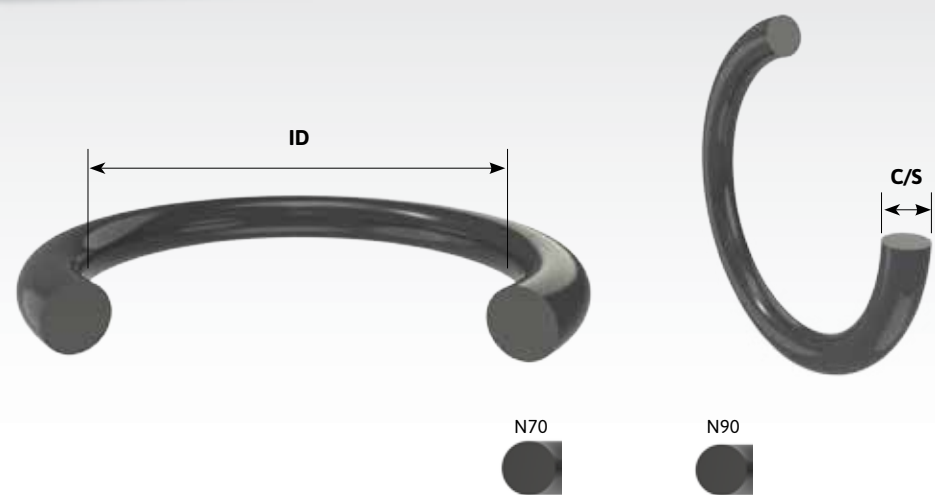
ID	C/S	PART N ^o	PART N ^o
180.00	3.00	N70M-1800030	
180.00	3.50	N70M-1800035	
180.00	4.00	N70M-1800040	
180.00	5.00	N70M-1800050	
180.00	6.00	N70M-1800060	
181.00	7.00	N70M-1810070	
184.10	8.70	N70M-1841087	
184.30	5.70	N70M-G185	N90M-G185
184.50	8.40	N70M-P185	
185.00	2.00	N70M-1850020	
185.00	3.00	N70M-1850030	
185.00	3.50	N70M-1850035	
185.00	4.00	N70M-1850040	
185.00	5.00	N70M-1850050	
185.00	6.00	N70M-1850060	
186.00	3.00	N70M-1860030	
188.00	4.00	N70M-1880040	
189.10	8.40	N70M-1891084	N90M-1891084
189.30	5.70	N70M-G190	N90M-G190
189.50	3.00	N70M-1895030	
189.50	8.40	N70M-P190	
190.00	2.00	N70M-1900020	
190.00	2.50	N70M-1900025	
190.00	3.00	N70M-1900030	
190.00	3.50	N70M-1900035	
190.00	4.00	N70M-1900040	
190.00	5.00	N70M-1900050	
190.00	6.00	N70M-1900060	
192.00	3.00	N70M-1920030	
192.00	4.00	N70M-1920040	
193.00	6.00	N70M-1930060	
194.00	8.40	N70M-1940084	
194.30	5.70	N70M-G195	
194.50	8.40	N70M-P195	
195.00	2.50	N70M-1950025	
195.00	3.00	N70M-1950030	
195.00	3.50	N70M-1950035	
195.00	4.00	N70M-1950040	
195.00	5.00	N70M-1950050	
195.00	6.00	N70M-1950060	
198.00	6.00	N70M-1980060	
199.10	8.40	N70M-1991084	



**NITRILE
70 DURO**

**NITRILE
90 DURO**

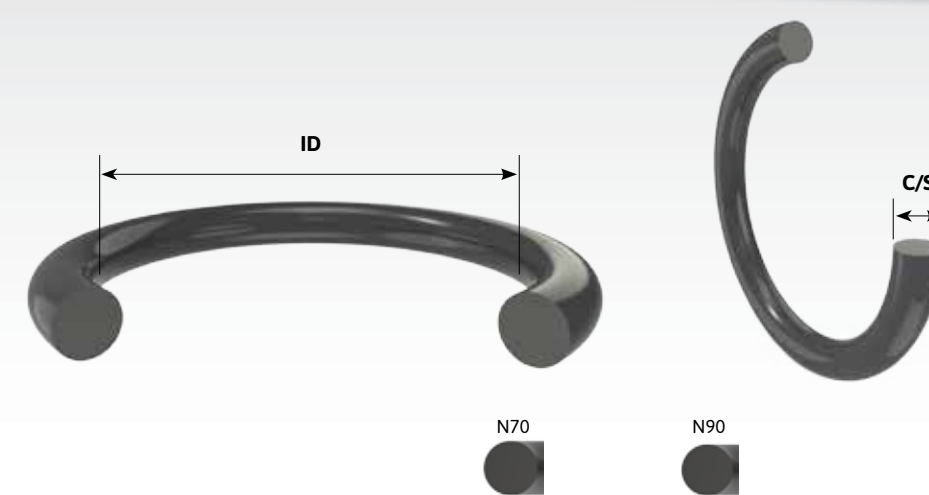
ID	C/S	PART N ^o	PART N ^o
199.30	5.70	N70M-G200	N90M-G200
199.50	8.40	N70M-P200	N90M-P200
200.00	2.00	N70M-2000020	
200.00	2.50	N70M-2000025	
200.00	3.00	N70M-2000030	
200.00	3.50	N70M-2000035	
200.00	4.00	N70M-2000040	
200.00	5.00	N70M-2000050	N90M-2000050
200.00	6.00	N70M-2000060	
200.00	7.00	N70M-2000070	
200.00	8.00	N70M-2000080	
202.00	3.00	N70M-2020030	
204.10	8.40	N70M-2041084	
204.20	5.70	N70M-2042057	
204.50	8.40	N70M-P205	
205.00	3.00	N70M-2050030	
205.00	4.00	N70M-2050040	
205.00	5.00	N70M-2050050	
205.00	6.00	N70M-2050060	
206.00	3.50	N70M-2060035	
206.00	4.00	N70M-2060040	
208.50	8.40	N70M-P209	
209.10	8.40	N70M-2091084	N90M-2091084
209.30	5.70	N70M-G210	N90M-G210
209.50	3.00	N70M-2095030	
209.50	8.40	N70M-P210	
210.00	2.00	N70M-2100020	
210.00	3.00	N70M-2100030	
210.00	4.00	N70M-2100040	
210.00	5.00	N70M-2100050	
210.00	6.00	N70M-2100060	
212.00	5.00	N70M-2120050	
214.30	5.70	N70M-2143057	N90M-G215
214.30	5.70	N70M-G215	N90M-G215
214.50	8.40	N70M-P215	N90M-P215
215.00	3.00	N70M-2150030	
215.00	4.00	N70M-2150040	
215.00	5.00	N70M-2150050	
216.00	4.00	N70M-2160040	
217.00	5.00	N70M-2170050	N90M-2170050
219.10	8.40	N70M-2191084	N90M-2191084
219.30	5.70	N70M-G220	N90M-G220



**NITRILE
70 DURO**

**NITRILE
90 DURO**

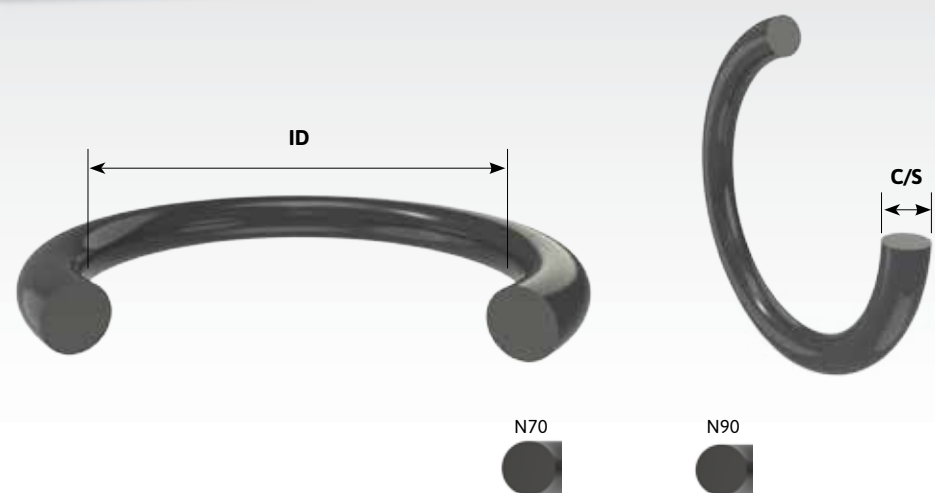
ID	C/S	PART N ^o	PART N ^o
219.50	3.00	N70M-2195030	
219.50	8.40	N70M-P220	N90M-P220
220.00	3.00	N70M-2200030	
220.00	3.50	N70M-2200035	
220.00	4.00	N70M-2200040	
220.00	5.00	N70M-2200050	
220.00	6.00	N70M-2200060	
224.30	5.70	N70M-G225	
224.50	8.40	N70M-P225	N90M-P225
225.00	3.00	N70M-2250030	
225.00	4.00	N70M-2250040	
225.00	5.00	N70M-2250050	
225.00	6.00	N70M-2250060	
229.10	8.40	N70M-2291084	
229.30	5.70	N70M-G230	N90M-G230
229.50	8.40	N70M-P230	
230.00	3.00	N70M-2300030	
230.00	4.00	N70M-2300040	
230.00	5.00	N70M-2300050	
230.00	6.00	N70M-2300060	
230.00	7.00	N70M-2300070	
230.00	8.00	N70M-2300080	
232.00	4.00	N70M-2320040	
233.00	3.00	N70M-2330030	
234.10	8.40	N70M-2341084	N90M-2341084
234.30	5.70	N70M-G235	
234.50	8.40	N70M-P235	
235.00	3.00	N70M-2350030	
235.00	4.00	N70M-2350040	
235.00	6.00	N70M-2350060	
237.00	7.00	N70M-2370070	
239.10	8.40	N70M-2391084	
239.30	5.70	N70M-G240	N90M-G240
239.50	8.40	N70M-P240	N90M-P240
240.00	3.00	N70M-2400030	
240.00	3.50	N70M-2400035	
240.00	4.00	N70M-2400040	
240.00	5.00	N70M-2400050	
240.00	6.00	N70M-2400060	
244.40	5.70	N70M-G245	
244.50	8.40	N70M-P245	N90M-P245
245.00	3.00	N70M-2450030	



**NITRILE
70 DURO**

**NITRILE
90 DURO**

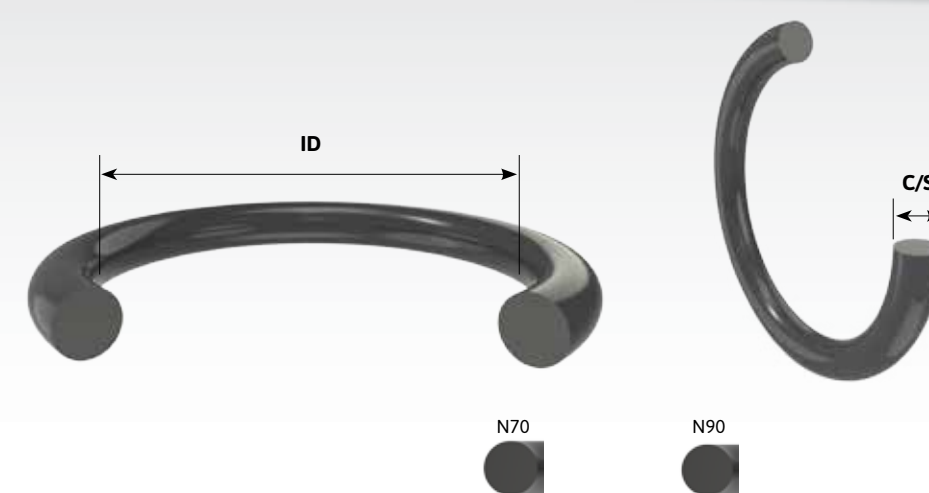
ID	C/S	PART N ^o	PART N ^o
245.00	4.00	N70M-2450040	
245.00	5.00	N70M-2450050	
245.20	5.70	N70M-2452057	
249.00	3.00	N70M-2490030	
249.10	8.40	N70M-2491084	
249.30	5.70	N70M-G250	N90M-G250
249.50	8.40	N70M-P250	
250.00	3.00	N70M-2500030	
250.00	3.50	N70M-2500035	
250.00	4.00	N70M-2500040	
250.00	5.00	N70M-2500050	
250.00	6.00	N70M-2500060	
250.00	10.00	N70M-2500100	
254.50	8.40	N70M-P255	
255.00	3.00	N70M-2550030	
255.00	4.00	N70M-2550040	
255.00	5.00	N70M-2550050	
255.00	8.00	N70M-2550080	
259.30	5.70	N70M-G260	N90M-G260
259.50	8.40	N70M-P260	
260.00	3.00	N70M-2600030	
260.00	4.00	N70M-2600040	
260.00	5.00	N70M-2600050	
260.00	6.00	N70M-2600060	
260.00	8.00	N70M-2600080	
264.50	8.40	N70M-P265	
265.00	3.00	N70M-2650030	
265.00	4.00	N70M-2650040	
265.00	5.00	N70M-2650050	
265.00	6.00	N70M-2650060	
269.30	5.70	N70M-G270	N90M-G270
269.50	8.40	N70M-P270	
270.00	3.00	N70M-2700030	
270.00	4.00	N70M-2700040	
270.00	5.00	N70M-2700050	
270.00	6.00	N70M-2700060	
274.50	8.40	N70M-P275	
275.00	3.00	N70M-2750030	
275.00	4.00	N70M-2750040	
275.00	5.00	N70M-2750050	
279.30	5.70	N70M-G280	N90M-G280
279.50	8.40	N70M-P280	N90M-P280



**NITRILE
70 DURO**

**NITRILE
90 DURO**

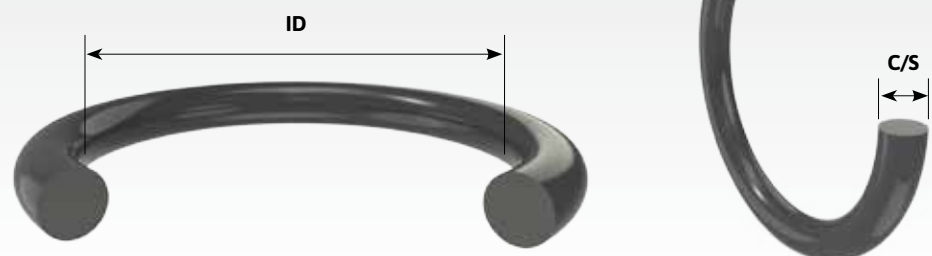
ID	C/S	PART N ^o	PART N ^o
280.00	2.50	N70M-2800025	
280.00	3.00	N70M-2800030	
280.00	4.00	N70M-2800040	
280.00	5.00	N70M-2800050	
280.00	6.00	N70M-2800060	
282.00	5.00	N70M-2820050	
284.50	8.40	N70M-P285	N90M-P285
285.00	3.00	N70M-2850030	
285.00	4.00	N70M-2850040	
285.00	5.00	N70M-2850050	
285.00	6.00	N70M-2850060	
289.30	5.70	N70M-G290	N90M-G290
289.50	8.40	N70M-P290	
290.00	3.00	N70M-2900030	
290.00	4.00	N70M-2900040	
290.00	5.00	N70M-2900050	
290.00	6.00	N70M-2900060	
294.50	8.40	N70M-P295	
295.00	3.00	N70M-2950030	
295.00	4.00	N70M-2950040	
295.00	5.00	N70M-2950050	
297.00	4.00	N70M-2970040	
299.30	5.70	N70M-G300	N90M-G300
299.50	8.40	N70M-P300	
300.00	3.00	N70M-3000030	
300.00	4.00	N70M-3000040	
300.00	5.00	N70M-3000050	
300.00	6.00	N70M-3000060	
304.30	5.70	N70M-G305	
305.00	3.00	N70M-3050030	
305.00	4.00	N70M-3050040	
305.00	5.00	N70M-3050050	N90M-3050050
309.30	5.70	N70M-G310	
310.00	3.00	N70M-3100030	
310.00	4.00	N70M-3100040	
310.00	5.00	N70M-3100050	
310.00	8.00	N70M-3100080	
314.30	5.70	N70M-3143057	
314.40	5.70	N70M-G315	
314.50	8.40	N70M-P315	N90M-P315



**NITRILE
70 DURO**

**NITRILE
90 DURO**

ID	C/S	PART N ^o	PART N ^o
315.00	4.00	N70M-3150040	
315.00	5.00	N70M-3150050	
319.30	5.70	N70M-G320	
319.50	8.40	N70M-P320	N90M-P320
320.00	3.00	N70M-3200030	
320.00	4.00	N70M-3200040	
320.00	5.00	N70M-3200050	
325.00	4.00	N70M-3250040	
325.00	5.00	N70M-3250050	
329.30	5.70	N70M-G330	
330.00	4.00	N70M-3300040	
330.00	5.00	N70M-3300050	
330.00	10.00	N70M-3300100	
334.50	8.40	N70M-P335	
335.00	4.00	N70M-3350040	
335.00	5.00	N70M-3350050	
339.30	5.70	N70M-G340	
339.50	8.40	N70M-P340	N90M-P340
340.00	4.00	N70M-3400040	
340.00	5.00	N70M-3400050	
340.00	6.00	N70M-3400060	
344.30	5.70	N70M-G345	
345.00	4.00	N70M-3450040	
345.00	5.00	N70M-3450050	
349.30	5.70	N70M-3493057	
349.40	5.70	N70M-G350	
350.00	3.00	N70M-3500030	
350.00	4.00	N70M-3500040	
350.00	5.00	N70M-3500050	
354.50	8.40	N70M-P355	N90M-P355
355.00	4.00	N70M-3550040	
355.00	5.00	N70M-3550050	
359.30	5.70	N70M-G360	
359.50	8.40	N70M-P360	
360.00	3.00	N70M-3600030	
360.00	4.00	N70M-3600040	
360.00	8.00	N70M-3600080	
365.00	4.00	N70M-3650040	
370.00	4.00	N70M-3700040	



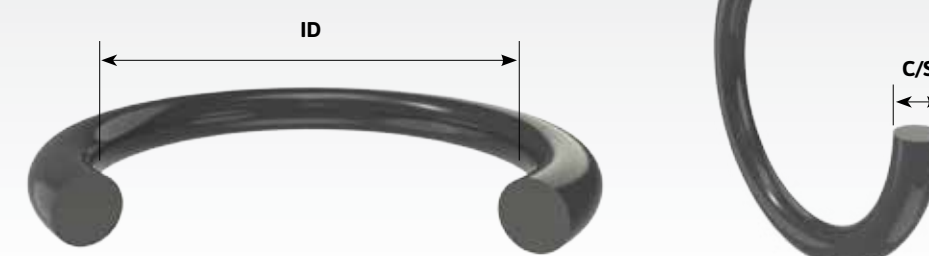
N70

N90

**NITRILE
70 DURO**

**NITRILE
90 DURO**

ID	C/S	PART N°	PART N°
371.00	5.00	N70M-3710050	
374.50	8.40	N70M-P375	
375.00	4.00	N70M-3750040	
379.30	5.70	N70M-3793057	
380.00	4.00	N70M-3800040	
380.00	10.00	N70M-3800100	
384.50	8.40	N70M-P385	
385.00	3.00	N70M-3850030	
385.00	4.00	N70M-3850040	
388.00	7.00	N70M-3880070	
389.30	5.70	N70M-G390	
390.00	4.00	N70M-3900040	
394.50	8.40	N70M-P395	
395.00	4.00	N70M-3950040	
399.30	5.70	N70M-G400	
399.50	8.40	N70M-P400	
400.00	4.00	N70M-4000040	
400.00	5.00	N70M-4000050	
400.00	6.00	N70M-4000060	
404.30	5.70	N70M-G405	
409.30	5.70	N70M-G410	
419.30	5.70	N70M-G420	
420.00	3.00	N70M-4200030	
429.30	5.70	N70M-G430	
430.00	4.00	N70M-4300040	
430.00	15.88	N70M-4300159	
434.00	4.00	N70M-4340040	
434.30	5.70	N70M-G435	
439.30	5.70	N70M-G440	
444.30	5.70	N70M-G445	
448.00	10.00	N70M-4480100	
459.30	5.70	N70M-G460	
460.00	8.40	N70M-P460	
464.30	5.70	N70M-G465	
469.30	5.70	N70M-G470	
479.30	5.70	N70M-G480	
484.30	5.70	N70M-G485	
489.30	5.70	N70M-G490	
494.30	5.70	N70M-G495	
499.30	5.70	N70M-G500	N90M-G500



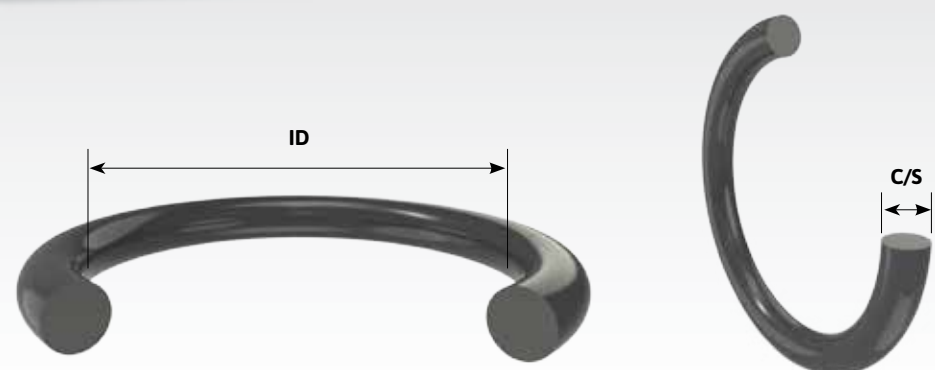
E70

S70

**EPDM
70 DURO**

**SILICONE
70 DURO**

ID	C/S	PART N°	PART N°
4.00	1.00	E70M-0040010	
5.00	1.00	E70M-0050010	
6.00	1.00	E70M-0060010	S70M-0060010
9.00	1.00		S70M-0090010
11.00	1.00	E70M-0110010	
14.00	1.00	E70M-0140010	S70M-0140010
20.00	1.00	E70M-0200010	
6.00	1.50	E70M-0060020	
9.00	1.50		S70M-0090015
10.00	1.50		S70M-0100015
11.00	1.50	E70M-0110015	
13.00	1.50		S70M-0130015
15.00	1.50	E70M-0150015	
18.00	1.50		S70M-0180015
22.00	1.50	E70M-0220015	
8.10	1.60	E70M-0081016	
116.00	1.60	E70M-1160160	
4.80	1.90		S70M-P005
5.80	1.90		S70M-P006
6.80	1.90		S70M-P007
7.80	1.90		S70M-P008
8.80	1.90		S70M-P009
3.00	2.00	E70M-0030020	
4.00	2.00	E70M-0040020	S70M-0040020
5.00	2.00	E70M-0050020	S70M-0050020
6.00	2.00		S70M-0060020
8.00	2.00	E70M-0080020	
9.00	2.00	E70M-0090020	S70M-0090020
10.00	2.00	E70M-0100020	S70M-0100020
12.00	2.00		S70M-0120020
15.00	2.00		S70M-0150020
16.00	2.00		S70M-0160020
17.00	2.00	E70M-0170020	
22.00	2.00	E70M-0220020	
24.00	2.00	E70M-0240020	
29.00	2.00	E70M-0290020	
39.00	2.00	E70M-0390020	
42.00	2.00		S70M-0420020
170.00	2.00	E70M-P170	
9.80	2.40		S70M-P010A
10.80	2.40		S70M-P011
11.80	2.40		S70M-P012
13.80	2.40		S70M-P014

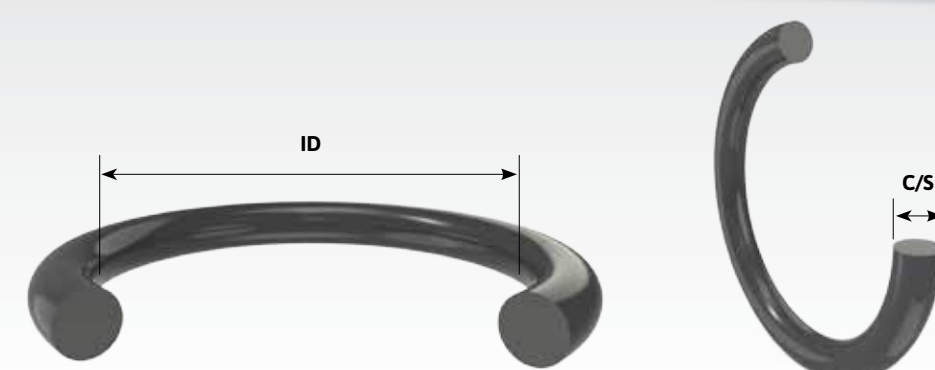


**EPDM
70 DURO**



**SILICONE
70 DURO**

ID	C/S	PART N°	PART N°
14.80	2.40		S70M-P015
15.80	2.40		S70M-P016
17.80	2.40		S70M-P018
19.80	2.40		S70M-P020
20.80	2.40		S70M-P021
13.00	2.50	E70M-0130025	
15.00	2.50	E70M-0150025	S70M-0150025
16.00	2.50		S70M-0160025
18.00	2.50	E70M-0180025	
19.00	2.50	E70M-0190025	
20.00	2.50	E70M-0200025	
25.00	2.50	E70M-0250025	
26.00	2.50	E70M-0260025	
9.20	2.60	E70M-0092026	
22.00	2.60	E70M-0222026	
10.00	3.00	E70M-0100030	
17.00	3.00	E70M-0170030	
20.00	3.00	E70M-0200030	
21.00	3.00		S70M-0210030
23.00	3.00	E70M-0230030	
26.00	3.00	E70M-0260030	
28.00	3.00	E70M-0280030	
29.00	3.00	E70M-0290030	
30.00	3.00		S70M-0300030
34.00	3.00	E70M-0340030	
35.00	3.00	E70M-0350030	S70M-0350030
36.00	3.00	E70M-0360030	
40.00	3.00		S70M-0400030
60.00	3.00	E70M-0600030	
62.00	3.00	E70M-0620030	
68.00	3.00	E70M-0680030	
85.00	3.00	E70M-0850030	
109.50	3.00	E70M-1095030	
110.00	3.00		S70M-1100030
120.00	3.00	E70M-1200030	
139.50	3.00	E70M-1394031	
202.00	3.00		S70M-2020030
39.40	3.10		S70M-G040
64.40	3.10		S70M-G065
69.40	3.10		S70M-G070
74.40	3.10		S70M-G075
75.00	3.10	E70M-0750031	
79.40	3.10		S70M-G080

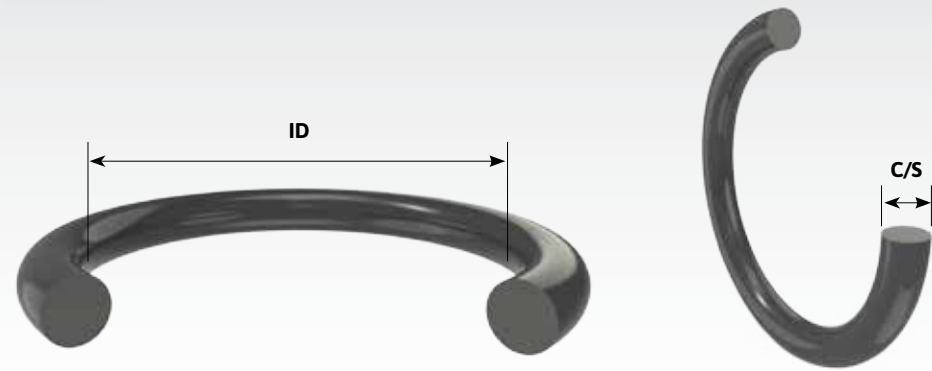


**EPDM
70 DURO**



**SILICONE
70 DURO**

ID	C/S	PART N°	PART N°
84.40	3.10		S70M-G085
89.40	3.10		S70M-G090
94.40	3.10		S70M-G095
95.00	3.10	E70M-0950031	
99.40	3.10		S70M-G100
104.40	3.10		S70M-G105
109.40	3.10		S70M-G110
114.40	3.10		S70M-G115
119.40	3.10		S70M-G120
124.40	3.10		S70M-G125
129.40	3.10		S70M-G130
134.40	3.10		S70M-G135
21.70	3.50		S70M-P022A
24.00	3.50		S70M-0240035
24.70	3.50		S70M-P025
27.70	3.50		S70M-P028
29.70	3.50		S70M-P030
31.70	3.50		S70M-P032
34.70	3.50		S70M-P035
37.70	3.50		S70M-P038
39.70	3.50	E70M-0397035	S70M-P040
40.00	3.50	E70M-0400035	
41.70	3.50		S70M-P042
44.70	3.50		S70M-P045
46.00	3.50	E70M-0460035	
47.70	3.50		S70M-P048
49.70	3.50		S70M-P050
50.00	3.50	E70M-0500035	
41.28	3.53	E70M-0413035	
42.86	3.53	E70M-0429035	
11.00	4.00	E70M-0110040	
14.50	4.00	E70M-0145040	
15.00	4.00	E70M-0150040	S70M-0150040
18.00	4.00	E70M-0180040	
30.00	4.00	E70M-0300040	
32.00	4.00		S70M-0320040
34.00	4.00		S70M-0340040
35.00	4.00	E70M-0350040	S70M-0350040
44.00	4.00	E70M-0440040	
50.00	4.00	E70M-0500040	
85.00	4.00	E70M-0850040	
113.00	4.00	E70M-1130040	
36.00	4.20		S70M-0360042

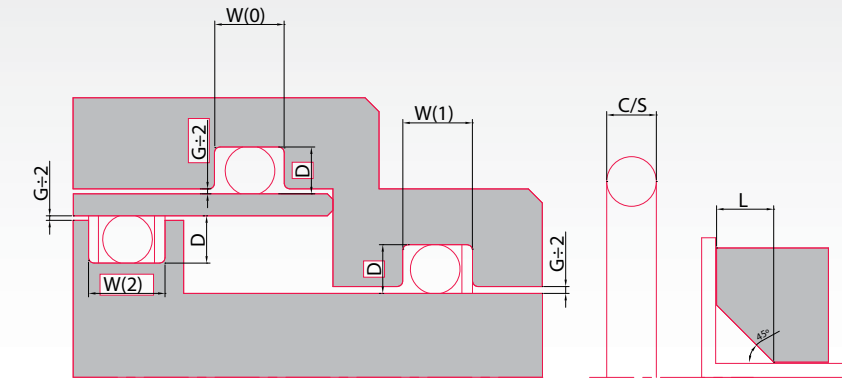


**EPDM
70 DURO**



**SILICONE
70 DURO**

ID	C/S	PART N°	PART N°
34.70	4.30		S70M-0347043
25.00	5.00	E70M-0250050	
32.00	5.00	E70M-0320050	
80.00	5.00	E70M-0800050	
210.00	5.00	E70M-2100040	
54.60	5.70		S70M-G055
55.60	5.70	E70M-P056	
57.60	5.70	E70M-P058	
59.60	5.70		S70M-P060
64.60	5.70		S70M-P065
66.60	5.70	E70M-P067	
134.60	5.70		S70M-P135
139.60	5.70		S70M-P140
149.30	5.70		S70M-G150
154.30	5.70		S70M-G155
159.30	5.70		S70M-G160
164.30	5.70		S70M-G165
174.30	5.70		S70M-G175
179.30	5.70		S70M-G180
184.30	5.70		S70M-G185
189.30	5.70		S70M-G190
194.30	5.70		S70M-G195
219.30	5.70		S70M-G220
245.20	5.70	E70M-2450050	
269.30	5.70		S70M-G270
85.00	7.00	E70M-0850070	
133.40	8.20	E70M-1334082	
159.50	8.40		S70M-P160
164.50	8.40		S70M-P165
179.50	8.40		S70M-P180
189.50	8.40		S70M-P190
204.50	8.40		S70M-P205
209.50	8.40		S70M-P210
224.50	8.40		S70M-P225



ORI



RQR



ORK



O-RING	O-RING	DYNAMIC		STATIC		NO BU	1x BU	2 x BU	TRIANGULAR	
C.S	Act. C.S	D	Tol	D	Tol	W	W	W	L	Tol
1/16 "	0.070"	0.057	+0.000 -0.001	0.052	+0.000 -0.001	0.094	0.138	0.205	0.095	+0.003 -0.000
3/32 "	0.103"	0.090		0.083		0.141	0.171	0.238	0.137	
1/8 "	0.139"	0.123		0.113		0.188	0.208	0.275	0.186	
3/16 "	0.210"	0.188		0.173		0.281	0.311	0.410	0.279	
1/4 "	0.275"	0.240		0.220		0.375	0.408	0.538	0.371	

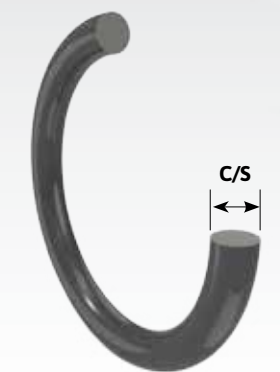
O-RING DIAMETRAL CLEARANCES - IMPERIAL (G)

	NOM	Act. C.S	250 psi	500 psi	1000 psi	1500 psi	2000 psi	2500 psi	3000 psi	5000 psi
60 shore A	1/16 "	0.070"	0.0070	0.0050	0.0040	0.0020	-	-	-	-
	3/32 "	0.103"	0.0090	0.0070	0.0050	0.0030	-	-	-	-
	1/8 "	0.139"	0.0110	0.0090	0.0060	0.0040	-	-	-	-
	3/16 "	0.210"	0.0120	0.0100	0.0070	0.0050	-	-	-	-
70 shore A	1/4 "	0.275"	0.0140	0.0120	0.0080	0.0060	-	-	-	-
	1/16 "	0.070"	-	0.0080	0.0060	0.0040	0.0020	0.0010	-	-
	3/32 "	0.103"	-	0.0100	0.0070	0.0050	0.0030	0.0015	-	-
	1/8 "	0.139"	-	0.0120	0.0090	0.0060	0.0040	0.0020	-	-
80 shore A	3/16 "	0.210"	-	0.0140	0.0100	0.0070	0.0040	0.0025	-	-
	1/4 "	0.275"	-	0.0160	0.0120	0.0080	0.0045	0.0025	-	-
	1/16 "	0.070"	-	0.0100	0.0080	0.0050	0.0040	0.0030	0.0020	-
	3/32 "	0.103"	-	0.0120	0.0100	0.0070	0.0050	0.0040	0.0030	-
90 shore A	1/8 "	0.139"	-	0.0160	0.0120	0.0080	0.0060	0.0050	0.0040	-
	3/16 "	0.210"	-	0.0180	0.0140	0.0100	0.0070	0.0060	0.0045	-
	1/4 "	0.275"	-	0.0200	0.0160	0.0120	0.0080	0.0070	0.0050	-
	1/16 "	0.070"	-	0.0140	0.0120	0.0100	0.0080	0.0060	0.0050	0.0030
	3/32 "	0.103"	-	0.0160	0.0140	0.0120	0.0090	0.0070	0.0060	0.0040
	1/8 "	0.139"	-	0.0180	0.0160	0.0140	0.0100	0.0080	0.0070	0.0050
	3/16 "	0.210"	-	0.0200	0.0180	0.0150	0.0120	0.0100	0.0080	0.0060
	1/4 "	0.275"	-	0.0200	0.0180	0.0160	0.0120	0.0100	0.0080	0.0060



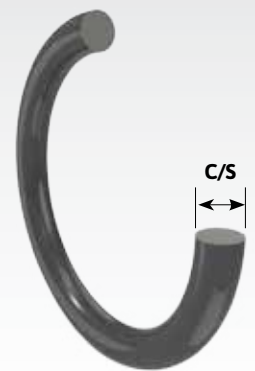
VITON 75 DURO (Brown) VITON 75 DURO (Black)

BS REF	NOMINAL			ACTUAL		PART N ^o	PART N ^o
	ID	OD	C/S	ID	C/S		
001	0.031	0.094	0.031	0.029	0.040	V75-001BR	V75-001BL
002	0.047	0.141	0.047	0.042	0.050	V75-002BR	V75-002BL
003	0.063	0.188	0.063	0.056	0.060	V75-003BR	V75-003BL
004	0.078	0.203	0.063	0.070	0.070	V75-004BR	V75-004BL
005	0.094	0.219	0.063	0.101	0.070	V75-005BR	V75-005BL
006	0.125	0.250	0.063	0.114	0.070	V75-006BR	V75-006BL
007	0.156	0.281	0.063	0.145	0.070	V75-007BR	V75-007BL
008	0.188	0.313	0.063	0.176	0.070	V75-008BR	V75-008BL
009	0.219	0.344	0.063	0.208	0.070	V75-009BR	V75-009BL
010	0.250	0.375	0.063	0.239	0.070	V75-010BR	V75-010BL
011	0.313	0.438	0.063	0.301	0.070	V75-011BR	V75-011BL
012	0.375	0.500	0.063	0.364	0.070	V75-012BR	V75-012BL
013	0.438	0.563	0.063	0.426	0.070	V75-013BR	V75-013BL
014	0.500	0.625	0.063	0.489	0.070	V75-014BR	V75-014BL
015	0.562	0.687	0.063	0.551	0.070	V75-015BR	V75-015BL
016	0.625	0.750	0.063	0.614	0.070	V75-016BR	V75-016BL
017	0.687	0.812	0.063	0.676	0.070	V75-017BR	V75-017BL
018	0.750	0.875	0.063	0.739	0.070	V75-018BR	V75-018BL
019	0.812	0.937	0.063	0.801	0.070	V75-019BR	V75-019BL
020	0.875	1.000	0.063	0.864	0.070	V75-020BR	V75-020BL
021	0.938	1.063	0.063	0.926	0.070	V75-021BR	V75-021BL
022	1.000	1.125	0.063	0.989	0.070	V75-022BR	V75-022BL
023	1.063	1.188	0.063	1.051	0.070	V75-023BR	V75-023BL
024	1.125	1.250	0.063	1.114	0.070	V75-024BR	V75-024BL
025	1.188	1.313	0.063	1.176	0.070	V75-025BR	V75-025BL
026	1.250	1.375	0.063	1.239	0.070	V75-026BR	V75-026BL
027	1.313	1.438	0.063	1.301	0.070	V75-027BR	V75-027BL
028	1.375	1.500	0.063	1.364	0.070	V75-028BR	V75-028BL
029	1.500	1.625	0.063	1.489	0.070	V75-029BR	V75-029BL
030	1.625	1.750	0.063	1.614	0.070	V75-030BR	V75-030BL
031	1.750	1.875	0.063	1.739	0.070	V75-031BR	V75-031BL
032	1.875	2.000	0.063	1.864	0.070	V75-032BR	V75-032BL
033	2.000	2.125	0.063	1.989	0.070	V75-033BR	V75-033BL
034	2.125	2.250	0.063	2.114	0.070	V75-034BR	V75-034BL
035	2.250	2.375	0.063	2.239	0.070	V75-035BR	V75-035BL
036	2.375	2.500	0.063	2.364	0.070	V75-036BR	V75-036BL
037	2.500	2.625	0.063	2.489	0.070	V75-037BR	V75-037BL
038	2.625	2.750	0.063	2.614	0.070	V75-038BR	V75-038BL
039	2.750	2.875	0.063	2.739	0.070	V75-039BR	V75-039BL
040	2.875	3.000	0.063	2.864	0.070	V75-040BR	V75-040BL
041	3.000	3.125	0.063	2.989	0.070	V75-041BR	V75-041BL
042	3.250	3.375	0.063	3.239	0.070	V75-042BR	V75-042BL
043	3.500	3.625	0.063	3.489	0.070	V75-043BR	V75-043BL



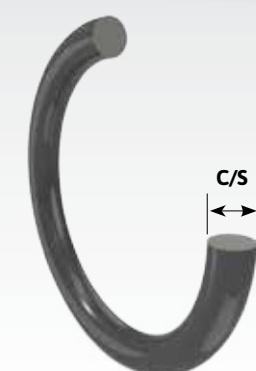
VITON 75 DURO (Brown) VITON 75 DURO (Black)

BS REF	NOMINAL			ACTUAL		PART N ^o	PART N ^o
	ID	OD	C/S	ID	C/S		
044	3.750	3.875	0.063	3.739	0.070	V75-044BR	V75-044BL
045	4.000	4.125	0.063	3.989	0.070	V75-045BR	V75-045BL
046	4.250	4.375	0.063	4.239	0.070	V75-046BR	V75-046BL
047	4.500	4.625	0.063	4.489	0.070	V75-047BR	V75-047BL
048	4.750	4.875	0.063	4.739	0.070	V75-048BR	V75-048BL
049	5.000	5.125	0.063	4.989	0.070	V75-049BR	V75-049BL
050	5.250	5.375	0.063	5.239	0.070	V75-050BR	V75-050BL
102	0.063	0.250	0.094	0.049	0.103	V75-102BR	V75-102BL
103	0.094	0.281	0.094	0.081	0.103	V75-103BR	V75-103BL
104	0.125	0.313	0.094	0.112	0.103	V75-104BR	V75-104BL
105	0.156	0.344	0.094	0.143	0.103	V75-105BR	V75-105BL
106	0.187	0.375	0.094	0.174	0.103	V75-106BR	V75-106BL
107	0.219	0.406	0.094	0.206	0.103	V75-107BR	V75-107BL
108	0.250	0.438	0.094	0.237	0.103	V75-108BR	V75-108BL
109	0.312	0.500	0.094	0.299	0.103	V75-109BR	V75-109BL
110	0.375	0.563	0.094	0.362	0.103	V75-110BR	V75-110BL
111	0.437	0.625	0.094	0.424	0.103	V75-111BR	V75-111BL
112	0.500	0.688	0.094	0.487	0.103	V75-112BR	V75-112BL
113	0.562	0.750	0.094	0.549	0.103	V75-113BR	V75-113BL
114	0.625	0.813	0.094	0.612	0.103	V75-114BR	V75-114BL
115	0.687	0.875	0.094	0.674	0.103	V75-115BR	V75-115BL
116	0.750	0.938	0.094	0.737	0.103	V75-116BR	V75-116BL
117	0.812	1.000	0.094	0.799	0.103	V75-117BR	V75-117BL
118	0.875	1.063	0.094	0.862	0.103	V75-118BR	V75-118BL
119	0.937	1.125	0.094	0.924	0.103	V75-119BR	V75-119BL
120	1.000	1.188	0.094	0.987	0.103	V75-120BR	V75-120BL
121	1.063	1.251	0.094	1.049	0.103	V75-121BR	V75-121BL
122	1.125	1.313	0.094	1.112	0.103	V75-122BR	V75-122BL
123	1.187	1.375	0.094	1.174	0.103	V75-123BR	V75-123BL
124	1.250	1.438	0.094	1.237	0.103	V75-124BR	V75-124BL
125	1.312	1.500	0.094	1.299	0.103	V75-125BR	V75-125BL
126	1.375	1.563	0.094	1.362	0.103	V75-126BR	V75-126BL
127	1.437	1.625	0.094	1.424	0.103	V75-127BR	V75-127BL
128	1.500	1.688	0.094	1.487	0.103	V75-128BR	V75-128BL
129	1.562	1.750	0.094	1.549	0.103	V75-129BR	V75-129BL
130	1.625	1.813	0.094	1.612	0.103	V75-130BR	V75-130BL
131	1.687	1.875	0.094	1.674	0.103	V75-131BR	V75-131BL
132	1.750	1.938	0.094	1.737	0.103	V75-132BR	V75-132BL
133	1.812	2.000	0.094	1.799	0.103	V75-133BR	V75-133BL
134	1.875	2.063	0.094	1.862	0.103	V75-134BR	V75-134BL
135	1.937	2.125	0.094	1.925	0.103	V75-135BR	V75-135BL
136	2.000	2.188	0.094	1.987	0.103	V75-136BR	V75-136BL
137	2.063	2.251	0.094	2.050	0.103	V75-137BR	V75-137BL



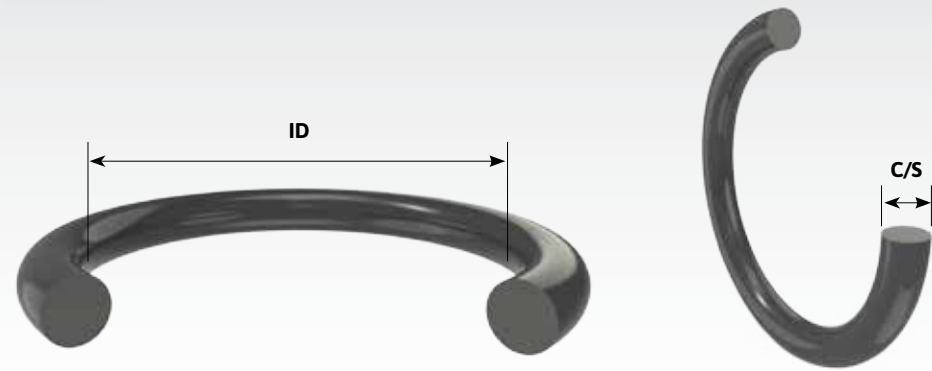
VITON 75 DURO (Brown) VITON 75 DURO (Black)

BS REF	NOMINAL			ACTUAL		PART N°	PART N°
	ID	OD	C/S	ID	C/S		
138	2.125	2.313	0.094	2.112	0.103	V75-138BR	V75-138BL
139	2.187	2.375	0.094	2.175	0.103	V75-139BR	V75-139BL
140	2.250	2.438	0.094	2.237	0.103	V75-140BR	V75-140BL
141	2.312	2.500	0.094	2.300	0.103	V75-141BR	V75-141BL
142	2.375	2.563	0.094	2.362	0.103	V75-142BR	V75-142BL
143	2.437	2.625	0.094	2.425	0.103	V75-143BR	V75-143BL
144	2.500	2.688	0.094	2.487	0.103	V75-144BR	V75-144BL
145	2.562	2.750	0.094	2.550	0.103	V75-145BR	V75-145BL
146	2.625	2.813	0.094	2.612	0.103	V75-146BR	V75-146BL
147	2.687	2.875	0.094	2.675	0.103	V75-147BR	V75-147BL
148	2.750	2.938	0.094	2.737	0.103	V75-148BR	V75-148BL
149	2.812	3.000	0.094	2.800	0.103	V75-149BR	V75-149BL
150	2.875	3.063	0.094	2.862	0.103	V75-150BR	V75-150BL
151	3.000	3.188	0.094	2.987	0.103	V75-151BR	V75-151BL
152	3.250	3.438	0.094	3.237	0.103	V75-152BR	V75-152BL
153	3.500	3.688	0.094	3.487	0.103	V75-153BR	V75-153BL
154	3.750	3.938	0.094	3.737	0.103	V75-154BR	V75-154BL
155	4.000	4.188	0.094	3.987	0.103	V75-155BR	V75-155BL
156	4.250	4.438	0.094	4.237	0.103	V75-156BR	V75-156BL
157	4.500	4.688	0.094	4.487	0.103	V75-157BR	V75-157BL
158	4.750	4.938	0.094	4.737	0.103	V75-158BR	V75-158BL
159	5.000	5.188	0.094	4.987	0.103	V75-159BR	V75-159BL
160	5.250	5.438	0.094	5.237	0.103	V75-160BR	V75-160BL
161	5.500	5.688	0.094	5.487	0.103	V75-161BR	V75-161BL
162	5.750	5.938	0.094	5.737	0.103	V75-162BR	V75-162BL
163	6.000	6.188	0.094	5.987	0.103	V75-163BR	V75-163BL
164	6.250	6.438	0.094	6.237	0.103	V75-164BR	V75-164BL
165	6.500	6.688	0.094	6.487	0.103	V75-165BR	V75-165BL
166	6.750	6.938	0.094	6.737	0.103	V75-166BR	V75-166BL
167	7.000	7.188	0.094	6.987	0.103	V75-167BR	V75-167BL
168	7.250	7.438	0.094	7.237	0.103	V75-168BR	V75-168BL
169	7.500	7.688	0.094	7.487	0.103	V75-169BR	V75-169BL
170	7.750	7.938	0.094	7.737	0.103	V75-170BR	V75-170BL
171	8.000	8.188	0.094	7.987	0.103	V75-171BR	V75-171BL
172	8.250	8.438	0.094	8.237	0.103	V75-172BR	V75-172BL
173	8.500	8.688	0.094	8.487	0.103	V75-173BR	V75-173BL
174	8.750	8.938	0.094	8.737	0.103	V75-174BR	V75-174BL
175	9.000	9.188	0.094	8.987	0.103	V75-175BR	V75-175BL
176	9.250	9.438	0.094	9.237	0.103	V75-176BR	V75-176BL
177	9.500	9.688	0.094	9.487	0.103	V75-177BR	V75-177BL
178	9.750	9.938	0.094	9.737	0.103	V75-178BR	V75-178BL
201	0.187	0.437	0.125	0.171	0.139	V75-201BR	V75-201BL
202	0.250	0.500	0.125	0.234	0.139	V75-202BR	V75-202BL



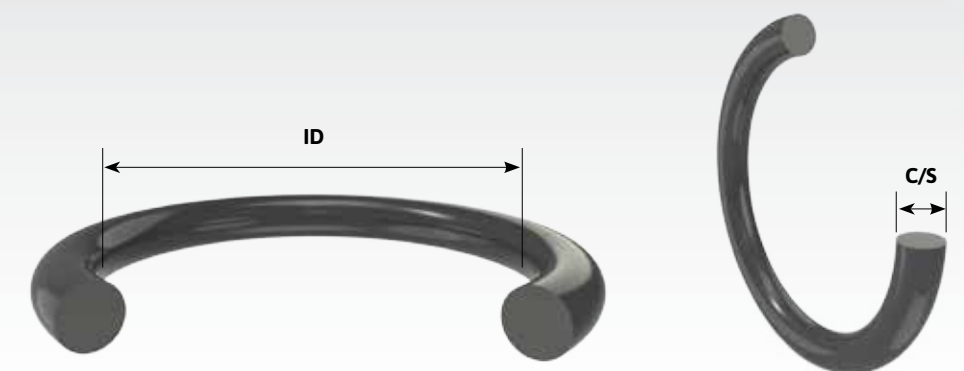
VITON 75 DURO (Brown) VITON 75 DURO (Black)

BS REF	NOMINAL			ACTUAL		PART N°	PART N°
	ID	OD	C/S	ID	C/S		
203	0.312	0.562	0.125	0.296	0.139	V75-203BR	V75-203BL
204	0.375	0.625	0.125	0.359	0.139	V75-204BR	V75-204BL
205	0.437	0.687	0.125	0.421	0.139	V75-205BR	V75-205BL
206	0.500	0.750	0.125	0.484	0.139	V75-206BR	V75-206BL
207	0.562	0.812	0.125	0.546	0.139	V75-207BR	V75-207BL
208	0.625	0.875	0.125	0.609	0.139	V75-208BR	V75-208BL
209	0.687	0.937	0.125	0.671	0.139	V75-209BR	V75-209BL
210	0.750	1.000	0.125	0.734	0.139	V75-210BR	V75-210BL
211	0.812	1.062	0.125	0.796	0.139	V75-211BR	V75-211BL
212	0.875	1.125	0.125	0.859	0.139	V75-212BR	V75-212BL
213	0.937	1.187	0.125	0.921	0.139	V75-213BR	V75-213BL
214	1.000	1.250	0.125	0.984	0.139	V75-214BR	V75-214BL
215	1.063	1.313	0.125	1.046	0.139	V75-215BR	V75-215BL
216	1.125	1.375	0.125	1.109	0.139	V75-216BR	V75-216BL
217	1.187	1.437	0.125	1.171	0.139	V75-217BR	V75-217BL
218	1.250	1.500	0.125	1.234	0.139	V75-218BR	V75-218BL
219	1.312	1.562	0.125	1.296	0.139	V75-219BR	V75-219BL
220	1.375	1.625	0.125	1.359	0.139	V75-220BR	V75-220BL
221	1.437	1.687	0.125	1.421	0.139	V75-221BR	V75-221BL
222	1.500	1.750	0.125	1.484	0.139	V75-222BR	V75-222BL
223	1.625	1.875	0.125	1.609	0.139	V75-223BR	V75-223BL
224	1.750	2.000	0.125	1.734	0.139	V75-224BR	V75-224BL
225	1.875	2.125	0.125	1.859	0.139	V75-225BR	V75-225BL
226	2.000	2.250	0.125	1.984	0.139	V75-226BR	V75-226BL
227	2.125	2.375	0.125	2.109	0.139	V75-227BR	V75-227BL
228	2.250	2.500	0.125	2.234	0.139	V75-228BR	V75-228BL
229	2.375	2.625	0.125	2.359	0.139	V75-229BR	V75-229BL
230	2.500	2.750	0.125	2.484	0.139	V75-230BR	V75-230BL
231	2.625	2.875	0.125	2.609	0.139	V75-231BR	V75-231BL
232	2.750	3.000	0.125	2.734	0.139	V75-232BR	V75-232BL
233	2.875	3.125	0.125	2.859	0.139	V75-233BR	V75-233BL
234	3.000	3.250	0.125	2.984	0.139	V75-234BR	V75-234BL
235	3.125	3.375	0.125	3.109	0.139	V75-235BR	V75-235BL
236	3.250	3.500	0.125	3.234	0.139	V75-236BR	V75-236BL
237	3.375	3.625	0.125	3.359	0.139	V75-237BR	V75-237BL
238	3.500	3.750	0.125	3.484	0.139	V75-238BR	V75-238BL
239	3.625	3.875	0.125	3.609	0.139	V75-239BR	V75-239BL
240	3.750	4.000	0.125	3.734	0.139	V75-240BR	V75-240BL
241	3.875	4.125	0.125	3.859	0.139	V75-241BR	V75-241BL
242	4.000	4.250	0.125	3.984	0.139	V75-242BR	V75-242BL
243	4.125	4.375	0.125	4.109	0.139	V75-243BR	V75-243BL
244	4.250	4.500	0.125	4.234	0.139	V75-244BR	V75-244BL
245	4.375	4.625	0.125	4.359	0.139	V75-245BR	V75-245BL



VITON 75 DURO (Brown) VITON 75 DURO (Black)

BS REF	NOMINAL			ACTUAL		PART N°	PART N°
	ID	OD	C/S	ID	C/S		
246	4.500	4.750	0.125	4.484	0.139	V75-246BR	V75-246BL
247	4.625	4.875	0.125	4.609	0.139	V75-247BR	V75-247BL
248	4.750	5.000	0.125	4.734	0.139	V75-248BR	V75-248BL
249	4.875	5.125	0.125	4.859	0.139	V75-249BR	V75-249BL
250	5.000	5.250	0.125	4.984	0.139	V75-250BR	V75-250BL
251	5.125	5.375	0.125	5.109	0.139	V75-251BR	V75-251BL
252	5.250	5.500	0.125	5.234	0.139	V75-252BR	V75-252BL
253	5.375	5.625	0.125	5.359	0.139	V75-253BR	V75-253BL
254	5.500	5.750	0.125	5.484	0.139	V75-254BR	V75-254BL
255	5.625	5.875	0.125	5.609	0.139	V75-255BR	V75-255BL
256	5.750	6.000	0.125	5.734	0.139	V75-256BR	V75-256BL
257	5.875	6.125	0.125	5.859	0.139	V75-257BR	V75-257BL
258	6.000	6.250	0.125	5.984	0.139	V75-258BR	V75-258BL
259	6.250	6.500	0.125	6.234	0.139	V75-259BR	V75-259BL
260	6.500	6.750	0.125	6.484	0.139	V75-260BR	V75-260BL
261	6.750	7.000	0.125	6.734	0.139	V75-261BR	V75-261BL
262	7.000	7.250	0.125	6.984	0.139	V75-262BR	V75-262BL
263	7.250	7.500	0.125	7.234	0.139	V75-263BR	V75-263BL
264	7.500	7.750	0.125	7.484	0.139	V75-264BR	V75-264BL
265	7.750	8.000	0.125	7.734	0.139	V75-265BR	V75-265BL
266	8.000	8.250	0.125	7.984	0.139	V75-266BR	V75-266BL
267	8.250	8.500	0.125	8.234	0.139	V75-267BR	V75-267BL
268	8.500	8.750	0.125	8.484	0.139	V75-268BR	V75-268BL
269	8.750	9.000	0.125	8.734	0.139	V75-269BR	V75-269BL
270	9.000	9.250	0.125	8.984	0.139	V75-270BR	V75-270BL
271	9.250	9.500	0.125	9.234	0.139	V75-271BR	V75-271BL
272	9.500	9.750	0.125	9.484	0.139	V75-272BR	V75-272BL
273	9.750	10.000	0.125	9.734	0.139	V75-273BR	V75-273BL
274	10.000	10.250	0.125	9.984	0.139	V75-274BR	V75-274BL
275	10.500	10.750	0.125	10.484	0.139	V75-275BR	V75-275BL
276	11.000	11.250	0.125	10.984	0.139	V75-276BR	V75-276BL
277	11.500	11.750	0.125	11.484	0.139	V75-277BR	V75-277BL
278	12.000	12.250	0.125	11.984	0.139	V75-278BR	V75-278BL
279	13.000	13.250	0.125	12.984	0.139	V75-279BR	V75-279BL
280	14.000	14.250	0.125	13.984	0.139	V75-280BR	
281	15.000	15.250	0.125	14.984	0.139	V75-281BR	V75-281BL
282	16.000	16.250	0.125	15.955	0.139	V75-282BR	V75-282BL
283	17.000	17.250	0.125	16.955	0.139	V75-283BR	V75-283BL
284	18.000	18.250	0.125	17.955	0.139	V75-284BR	V75-284BL
309	0.437	0.812	0.188	0.412	0.210	V75-309BR	V75-309BL
310	0.500	0.875	0.188	0.475	0.210	V75-310BR	V75-310BL
311	0.562	0.937	0.188	0.537	0.210	V75-311BR	V75-311BL
312	0.625	1.000	0.188	0.600	0.210	V75-312BR	V75-312BL



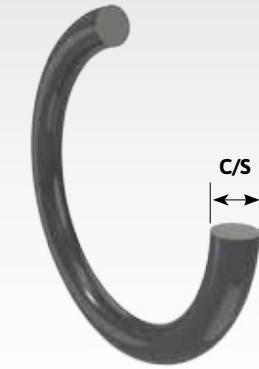
VITON 75 DURO (Brown) VITON 75 DURO (Black)

BS REF	NOMINAL			ACTUAL		PART N°	PART N°
	ID	OD	C/S	ID	C/S		
313	0.687	1.062	0.188	0.662	0.210	V75-313BR	V75-313BL
314	0.750	1.125	0.188	0.725	0.210	V75-314BR	V75-314BL
315	0.812	1.187	0.188	0.787	0.210	V75-315BR	V75-315BL
316	0.875	1.250	0.188	0.850	0.210	V75-316BR	V75-316BL
317	0.937	1.312	0.188	0.912	0.210	V75-317BR	V75-317BL
318	1.000	1.375	0.188	0.975	0.210	V75-318BR	V75-318BL
319	1.062	1.437	0.188	1.037	0.210	V75-319BR	V75-319BL
320	1.125	1.500	0.188	1.100	0.210	V75-320BR	V75-320BL
321	1.187	1.562	0.188	1.162	0.210	V75-321BR	V75-321BL
322	1.250	1.625	0.188	1.225	0.210	V75-322BR	V75-322BL
323	1.312	1.687	0.188	1.287	0.210	V75-323BR	V75-323BL
324	1.375	1.750	0.188	1.350	0.210	V75-324BR	V75-324BL
325	1.500	1.875	0.188	1.475	0.210	V75-325BR	V75-325BL
326	1.625	2.000	0.188	1.600	0.210	V75-326BR	V75-326BL
327	1.750	2.125	0.188	1.725	0.210	V75-327BR	V75-327BL
328	1.875	2.250	0.188	1.850	0.210	V75-328BR	V75-328BL
329	2.000	2.375	0.188	1.975	0.210	V75-329BR	V75-329BL
330	2.125	2.500	0.188	2.100	0.210	V75-330BR	V75-330BL
331	2.250	2.625	0.188	2.225	0.210	V75-331BR	V75-331BL
332	2.375	2.750	0.188	2.350	0.210	V75-332BR	V75-332BL
333	2.500	2.875	0.188	2.475	0.210	V75-333BR	V75-333BL
334	2.625	3.000	0.188	2.600	0.210	V75-334BR	V75-334BL
335	2.750	3.125	0.188	2.725	0.210	V75-335BR	V75-335BL
336	2.875	3.250	0.188	2.850	0.210	V75-336BR	V75-336BL
337	3.000	3.375	0.188	2.975	0.210	V75-337BR	V75-337BL
338	3.125	3.500	0.188	3.100	0.210	V75-338BR	V75-338BL
339	3.250	3.625	0.188	3.225	0.210	V75-339BR	V75-339BL
340	3.375	3.750	0.188	3.350	0.210	V75-340BR	V75-340BL
341	3.500	3.875	0.188	3.475	0.210	V75-341BR	V75-341BL
342	3.625	4.000	0.188	3.600	0.210	V75-342BR	V75-342BL
343	3.750	4.125	0.188	3.725	0.210	V75-343BR	V75-343BL
344	3.875	4.250	0.188	3.850	0.210	V75-344BR	V75-344BL
345	4.000	4.375	0.188	3.975	0.210	V75-345BR	V75-345BL
346	4.125	4.500	0.188	4.100	0.210	V75-346BR	V75-346BL
347	4.250	4.625	0.188	4.225	0.210	V75-347BR	V75-347BL
348	4.375	4.750	0.188	4.350	0.210	V75-348BR	V75-348BL
349	4.500	4.875	0.188	4.475	0.210	V75-349BR	V75-349BL
350	4.625	5.000	0.188	4.600	0.210	V75-350BR	V75-350BL
351	4.750	5.125	0.188	4.725	0.210	V75-351BR	V75-351BL
352	4.875	5.250	0.188	4.850	0.210	V75-352BR	V75-352BL
353	5.000	5.375	0.188	4.975	0.210	V75-353BR	V75-353BL
354	5.125	5.500	0.188	5.100	0.210	V75-354BR	V75-354BL
355	5.250	5.625	0.188	5.225	0.210	V75-355BR	V75-355BL



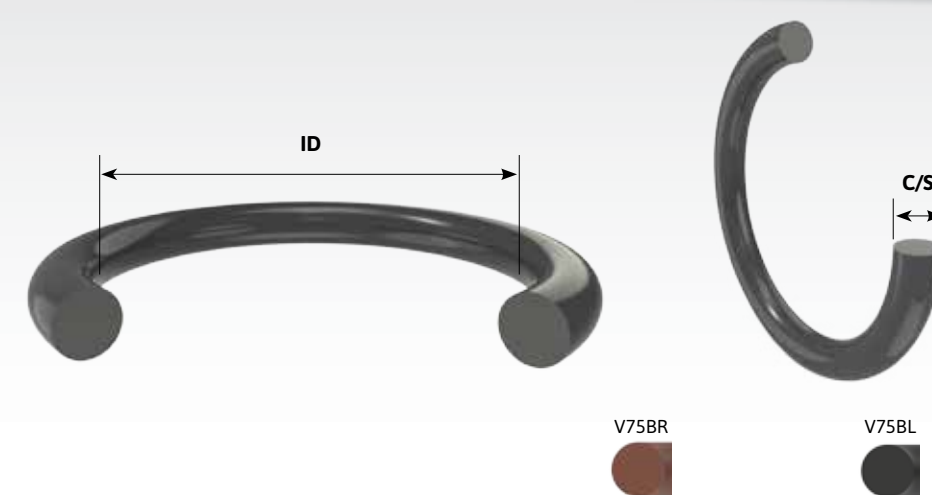
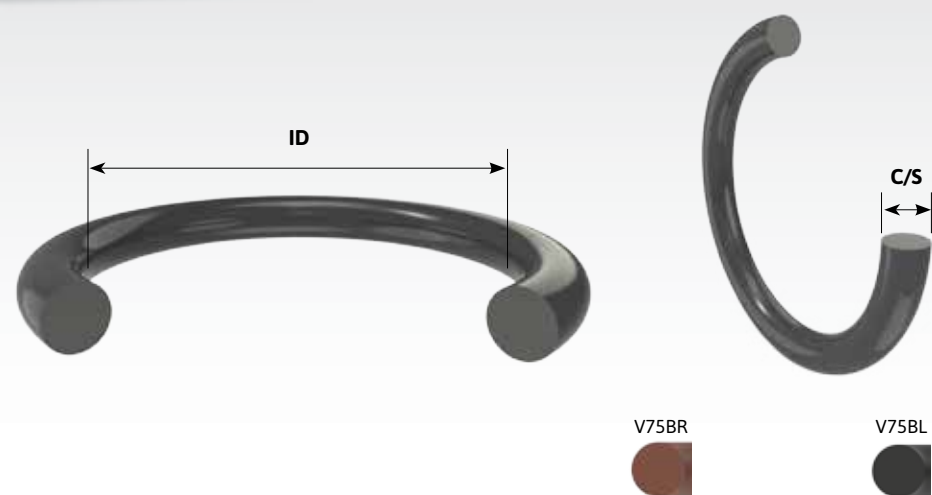
VITON 75 DURO (Brown) VITON 75 DURO (Black)

BS REF	NOMINAL			ACTUAL		PART N ^o	PART N ^o
	ID	OD	C/S	ID	C/S		
356	5.375	5.750	0.188	5.350	0.210	V75-356BR	V75-356BL
357	5.500	5.875	0.188	5.475	0.210	V75-357BR	V75-357BL
358	5.625	6.000	0.188	5.600	0.210	V75-358BR	V75-358BL
359	5.750	6.125	0.188	5.725	0.210	V75-359BR	V75-359BL
360	5.875	6.250	0.188	5.850	0.210	V75-360BR	V75-360BL
361	6.000	6.375	0.188	5.975	0.210	V75-361BR	V75-361BL
362	6.250	6.625	0.188	6.225	0.210	V75-362BR	V75-362BL
363	6.500	6.875	0.188	6.475	0.210	V75-363BR	V75-363BL
364	6.750	7.125	0.188	6.725	0.210	V75-364BR	V75-364BL
365	7.000	7.375	0.188	6.975	0.210	V75-365BR	V75-365BL
366	7.250	7.625	0.188	7.225	0.210	V75-366BR	V75-366BL
367	7.500	7.875	0.188	7.475	0.210	V75-367BR	V75-367BL
368	7.750	8.125	0.188	7.725	0.210	V75-368BR	V75-368BL
369	8.000	8.375	0.188	7.975	0.210	V75-369BR	V75-369BL
370	8.250	8.625	0.188	8.225	0.210	V75-370BR	V75-370BL
371	8.500	8.875	0.188	8.475	0.210	V75-371BR	V75-371BL
372	8.750	9.125	0.188	8.725	0.210	V75-372BR	V75-372BL
373	9.000	9.375	0.188	8.975	0.210	V75-373BR	V75-373BL
374	9.250	9.625	0.188	9.225	0.210	V75-374BR	V75-374BL
375	9.500	9.875	0.188	9.475	0.210	V75-375BR	V75-375BL
376	9.750	10.125	0.188	9.725	0.210	V75-376BR	V75-376BL
377	10.000	10.375	0.188	9.975	0.210	V75-377BR	V75-377BL
378	10.500	10.875	0.188	10.475	0.210	V75-378BR	V75-378BL
379	11.000	11.375	0.188	10.975	0.210	V75-379BR	V75-379BL
380	11.500	11.875	0.188	11.475	0.210	V75-380BR	
381	12.000	12.375	0.188	11.975	0.210	V75-381BR	V75-381BL
382	13.000	13.375	0.188	12.975	0.210	V75-382BR	V75-382BL
383	14.000	14.375	0.188	13.975	0.210	V75-383BR	V75-383BL
384	15.000	15.375	0.188	14.975	0.210	V75-384BR	V75-384BL
385	16.000	16.375	0.188	15.955	0.210	V75-385BR	V75-385BL
386	17.000	17.375	0.188	16.955	0.210	V75-386BR	V75-386BL
387	18.000	18.375	0.188	17.955	0.210	V75-387BR	V75-387BL
388	19.000	19.375	0.188	18.955	0.210	V75-388BR	V75-388BL
389	20.000	20.375	0.188	19.955	0.210	V75-389BR	V75-389BL
390	21.000	21.375	0.188	20.955	0.210	V75-390BR	V75-390BL
391	22.000	22.375	0.188	21.955	0.210	V75-391BR	V75-391BL
392	23.000	23.375	0.188	22.940	0.210	V75-392BR	V75-392BL
393	24.000	24.375	0.188	23.940	0.210	V75-393BR	V75-393BL
394	25.000	25.375	0.188	24.940	0.210	V75-394BR	V75-394BL
395	26.000	26.375	0.188	25.940	0.210	V75-395BR	V75-395BL
403	1.750	2.250	0.250	1.725	0.275	V75-403BR	
405	2.000	2.500	0.250	1.975	0.275	V75-405BR	V75-405BL
407	2.250	2.750	0.250	2.225	0.275	V75-407BR	



VITON 75 DURO (Brown) VITON 75 DURO (Black)

BS REF	NOMINAL			ACTUAL		PART N ^o	PART N ^o
	ID	OD	C/S	ID	C/S		
413	3.000	3.500	0.250	2.975	0.275	V75-413BR	
415	3.250	3.750	0.250	3.225	0.275	V75-415BR	
417	3.500	4.000	0.250	3.475	0.275	V75-417BR	V75-417BL
418	3.625	4.125	0.250	3.600	0.275	V75-418BR	V75-418BL
419	3.750	4.250	0.250	3.725	0.275	V75-419BR	V75-419BL
420	3.875	4.375	0.250	3.850	0.275	V75-420BR	V75-420BL
421	4.000	4.500	0.250	3.975	0.275	V75-421BR	V75-421BL
422	4.125	4.625	0.250	4.100	0.275	V75-422BR	V75-422BL
423	4.250	4.750	0.250	4.225	0.275	V75-423BR	V75-423BL
425	4.500	5.000	0.250	4.475	0.275	V75-425BR	V75-425BL
426	4.625	5.125	0.250	4.600	0.275	V75-426BR	V75-426BL
427	4.750	5.250	0.250	4.725	0.275	V75-427BR	V75-427BL
428	4.875	5.375	0.250	4.850	0.275	V75-428BR	V75-428BL
429	5.000	5.500	0.250	4.975	0.275	V75-429BR	V75-429BL
430	5.125	5.625	0.250	5.100	0.275	V75-430BR	V75-430BL
431	5.250	5.750	0.250	5.225	0.275	V75-431BR	V75-431BL
432	5.375	5.875	0.250	5.350	0.275	V75-432BR	V75-432BL
433	5.500	6.000	0.250	5.475	0.275	V75-433BR	V75-433BL
434	5.625	6.125	0.250	5.600	0.275	V75-434BR	V75-434BL
435	5.750	6.250	0.250	5.725	0.275	V75-435BR	V75-435BL
436	5.875	6.375	0.250	5.850	0.275	V75-436BR	V75-436BL
437	6.000	6.500	0.250	5.975	0.275	V75-437BR	V75-437BL
438	6.250	6.750	0.250	6.225	0.275	V75-438BR	V75-438BL
439	6.500	7.000	0.250	6.475	0.275	V75-439BR	V75-439BL
440	6.750	7.250	0.250	6.725	0.275	V75-440BR	V75-440BL
441	7.000	7.500	0.250	6.975	0.275	V75-441BR	V75-441BL
442	7.250	7.750	0.250	7.225	0.275	V75-442BR	V75-442BL
443	7.500	8.000	0.250	7.475	0.275	V75-443BR	V75-443BL
444	7.750	8.250	0.250	7.725	0.275	V75-444BR	V75-444BL
445	8.000	8.500	0.250	7.975	0.275	V75-445BR	V75-445BL
446	8.500	9.000	0.250	8.475	0.275	V75-446BR	V75-446BL
447	9.000	9.500	0.250	8.975	0.275	V75-447BR	V75-447BL
448	9.500	10.000	0.250	9.475	0.275	V75-448BR	V75-448BL
449	10.000	10.500	0.250	9.975	0.275	V75-449BR	V75-449BL
450	10.500	11.000	0.250	10.475	0.275	V75-450BR	V75-450BL
451	11.000	11.500	0.250	10.975	0.275	V75-451BR	V75-451BL
452	11.500	12.000	0.250	11.475	0.275	V75-452BR	V75-452BL
453	12.000	12.500	0.250	11.975	0.275	V75-453BR	V75-453BL
454	12.500	13.000	0.250	12.475	0.275	V75-454BR	V75-454BL
455	13.000	13.500	0.250	12.975	0.275	V75-455BR	V75-455BL
456	13.500	14.000	0.250	13.475	0.275	V75-456BR	V75-456BL
457	14.000	14.500	0.250	13.975	0.275	V75-457BR	V75-457BL
458	14.500	15.000	0.250	14.475	0.275	V75-458BR	V75-458BL

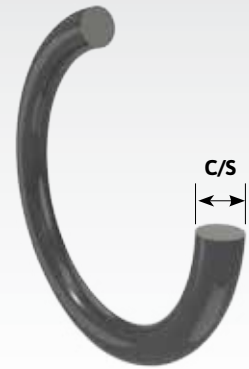


VITON 75 DURO (Brown) VITON 75 DURO (Black)

BS REF	NOMINAL			ACTUAL		PART N ^o	PART N ^o
	ID	OD	C/S	ID	C/S		
459	15.000	15.500	0.250	14.975	0.275	V75-459BR	V75-459BL
460	15.500	16.000	0.250	15.475	0.275	V75-460BR	V75-460BL
461	16.000	16.500	0.250	15.955	0.275	V75-461BR	V75-461BL
462	16.500	17.000	0.250	16.455	0.275	V75-462BR	V75-462BL
463	17.000	17.500	0.250	16.955	0.275	V75-463BR	V75-463BL
464	17.500	18.000	0.250	17.455	0.275	V75-464BR	V75-464BL
465	18.000	18.500	0.250	17.955	0.275	V75-465BR	V75-465BL
466	18.500	19.000	0.250	18.455	0.275	V75-466BR	V75-466BL
467	19.000	19.500	0.250	18.955	0.275	V75-467BR	V75-467BL
468	19.500	20.000	0.250	19.455	0.275	V75-468BR	V75-468BL
469	20.000	20.500	0.250	19.955	0.275	V75-469BR	V75-469BL
470	21.000	21.500	0.250	20.955	0.275	V75-470BR	V75-470BL
471	22.000	22.500	0.250	21.955	0.275	V75-471BR	V75-471BL
472	23.000	23.500	0.250	22.940	0.275	V75-472BR	V75-472BL
473	24.000	24.500	0.250	23.940	0.275	V75-473BR	V75-473BL
474	25.000	25.500	0.250	24.940	0.275	V75-474BR	V75-474BL
475	26.000	26.500	0.250	25.940	0.275	V75-475BR	V75-475BL
517	1.438	1.564	0.063	1.428	0.070	V75-517BR	V75-517BL
519	1.563	1.689	0.063	1.553	0.070	V75-519BR	V75-519BL
532	3.120	3.246	0.063	3.110	0.070	V75-532BR	V75-532BL
536	3.620	3.746	0.063	3.610	0.070	V75-536BR	V75-536BL
538	3.870	3.996	0.063	3.860	0.070		V75-538BL
610	0.276	0.402	0.063	0.266	0.070	V75-610BR	V75-610BL
611	0.354	0.480	0.063	0.344	0.070	V75-611BR	V75-611BL
613	0.405	0.592	0.094	0.391	0.103	V75-613BR	V75-613BL
614	0.483	0.670	0.094	0.469	0.103	V75-614BR	V75-614BL
616	0.608	0.795	0.094	0.594	0.103	V75-616BR	V75-616BL
640	2.938	3.125	0.094	2.924	0.103	V75-640BR	V75-640BL
801	0.136	0.262	0.063	0.126	0.070	V75-801BR	V75-801BL
802	0.197	0.323	0.063	0.187	0.070	V75-802BR	V75-802BL
806	0.533	0.659	0.063	0.433	0.070	V75-806BR	V75-806BL
809	0.639	0.826	0.094	0.625	0.103	V75-809BR	V75-809BL
813	0.889	1.076	0.094	0.875	0.103	V75-813BR	V75-813BL
824	1.547	1.797	0.125	1.563	0.139	V75-824BR	V75-824BL
825	1.609	1.859	0.125	1.625	0.139	V75-825BR	V75-825BL
826	1.671	1.921	0.125	1.687	0.139	V75-826BR	V75-826BL
827	1.734	1.984	0.125	1.750	0.139	V75-827BR	V75-827BL
828	1.796	2.046	0.125	1.812	0.139	V75-828BR	V75-828BL
829	1.859	2.109	0.125	1.875	0.139	V75-829BR	V75-829BL
830	1.921	2.171	0.125	1.937	0.139	V75-830BR	V75-830BL
831	1.984	2.234	0.125	2.000	0.139	V75-831BR	V75-831BL
832	2.046	2.296	0.125	2.062	0.139	V75-832BR	V75-832BL
834	2.171	2.421	0.125	2.187	0.139	V75-834BR	V75-834BL

VITON 75 DURO (Brown) VITON 75 DURO (Black)

BS REF	NOMINAL			ACTUAL		PART N ^o	PART N ^o
	ID	OD	C/S	ID	C/S		
835	2.234	2.484	0.125	2.250	0.139	V75-835BR	V75-835BL
836	2.296	2.546	0.125	2.312	0.139	V75-836BR	V75-836BL
837	2.359	2.609	0.125	2.375	0.139	V75-837BR	V75-837BL
838	2.421	2.671	0.125	2.437	0.139	V75-838BR	V75-838BL
839	2.484	2.734	0.125	2.500	0.139	V75-839BR	V75-839BL
840	2.547	2.797	0.125	2.563	0.139	V75-840BR	V75-840BL
843	2.796	3.046	0.125	2.812	0.139	V75-843BR	V75-843BL
844	2.796	3.046	0.125	2.812	0.139	V75-844BR	V75-844BL
846	2.921	3.171	0.125	2.937	0.139	V75-846BR	V75-846BL
886	7.899	8.399	0.250	7.874	0.275	V75-886BR	V75-886BL
445A	8.250	8.750	0.250	8.225	0.275	V75-445ABR	V75-445ABL
447A	9.250	9.750	0.250	9.225	0.275	V75-447ABR	V75-447ABL
448A	9.750	10.250	0.250	9.725	0.275	V75-448ABR	V75-448ABL
449A	10.250	10.750	0.250	10.225	0.275	V75-449ABR	V75-449ABL
450A	10.750	11.250	0.250	10.725	0.275	V75-450ABR	
451A	11.250	11.750	0.250	11.225	0.275	V75-451ABR	V75-451ABL
452A	11.750	12.250	0.250	11.725	0.275	V75-452ABR	V75-452ABL
453A	12.250	12.750	0.250	12.225	0.275	V75-453ABR	V75-453ABL
454A	12.300	11.800	0.250	12.275	0.275	V75-454ABR	V75-454ABL
455A	13.250	13.750	0.250	13.225	0.275	V75-455ABR	V75-455ABL

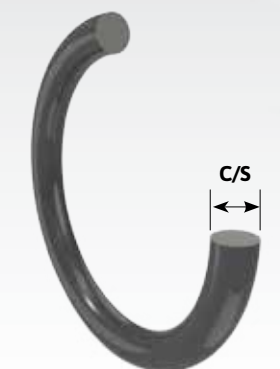


VITON 90 DURO (Brown)

VITON 90 DURO (Black)

VITON 90 DURO (Green)

BS REF	NOMINAL			ACTUAL		PART N ^o	PART N ^o	PART N ^o
	ID	OD	C/S	ID	C/S			
001	0.031	0.094	0.031	0.029	0.040	V90-001BR	V90-001BL	
002	0.047	0.141	0.047	0.042	0.050	V90-002BR	V90-002BL	
003	0.063	0.188	0.063	0.056	0.060	V90-003BR	V90-003BL	
004	0.078	0.203	0.063	0.070	0.070		V90-004BL	
005	0.094	0.219	0.063	0.101	0.070	V90-005BR	V90-005BL	
006	0.125	0.250	0.063	0.114	0.070	V90-006BR	V90-006BL	V90-006GR
007	0.156	0.281	0.063	0.145	0.070	V90-007BR	V90-007BL	V90-007GR
008	0.188	0.313	0.063	0.176	0.070	V90-008BR	V90-008BL	V90-008GR
009	0.219	0.344	0.063	0.208	0.070	V90-009BR	V90-009BL	V90-009GR
010	0.250	0.375	0.063	0.239	0.070		V90-010BL	V90-010GR
011	0.313	0.438	0.063	0.301	0.070	V90-011BR	V90-011BL	V90-011GR
012	0.375	0.500	0.063	0.364	0.070	V90-012BR	V90-012BL	V90-012GR
013	0.438	0.563	0.063	0.426	0.070	V90-013BR	V90-013BL	V90-013GR
014	0.500	0.625	0.063	0.489	0.070	V90-014BR	V90-014BL	V90-014GR
015	0.562	0.687	0.063	0.551	0.070	V90-015BR	V90-015BL	V90-015GR
016	0.625	0.750	0.063	0.614	0.070	V90-016BR	V90-016BL	V90-016GR
017	0.687	0.812	0.063	0.676	0.070	V90-017BR	V90-017BL	V90-017GR
018	0.750	0.875	0.063	0.739	0.070	V90-018BR	V90-018BL	V90-018GR
019	0.812	0.937	0.063	0.801	0.070	V90-019BR	V90-019BL	V90-019GR
020	0.875	1.000	0.063	0.864	0.070	V90-020BR	V90-020BL	V90-020GR
021	0.938	1.063	0.063	0.926	0.070	V90-021BR	V90-021BL	
022	1.000	1.125	0.063	0.989	0.070	V90-022BR	V90-022BL	V90-022GR
023	1.063	1.188	0.063	1.051	0.070	V90-023BR	V90-023BL	V90-023GR
024	1.125	1.250	0.063	1.114	0.070	V90-024BR	V90-024BL	V90-024GR
025	1.188	1.313	0.063	1.176	0.070	V90-025BR	V90-025BL	V90-025GR
026	1.250	1.375	0.063	1.239	0.070	V90-026BR	V90-026BL	V90-026GR
027	1.313	1.438	0.063	1.301	0.070	V90-027BR	V90-027BL	V90-027GR
028	1.375	1.500	0.063	1.364	0.070	V90-028BR	V90-028BL	V90-028GR
029	1.500	1.625	0.063	1.489	0.070	V90-029BR	V90-029BL	
030	1.625	1.750	0.063	1.614	0.070	V90-030BR	V90-030BL	V90-030GR
031	1.750	1.875	0.063	1.739	0.070	V90-031BR	V90-031BL	V90-031GR
032	1.875	2.000	0.063	1.864	0.070	V90-032BR	V90-032BL	V90-032GR
033	2.000	2.125	0.063	1.989	0.070	V90-033BR	V90-033BL	
034	2.125	2.250	0.063	2.114	0.070		V90-034BL	
035	2.250	2.375	0.063	2.239	0.070		V90-035BL	
036	2.375	2.500	0.063	2.364	0.070		V90-036BL	V90-036GR
037	2.500	2.625	0.063	2.489	0.070	V90-037BR	V90-037BL	
038	2.625	2.750	0.063	2.614	0.070	V90-038BR	V90-038BL	
039	2.750	2.875	0.063	2.739	0.070	V90-039BR	V90-039BL	
040	2.875	3.000	0.063	2.864	0.070	V90-040BR	V90-040BL	
041	3.000	3.125	0.063	2.989	0.070	V90-041BR	V90-041BL	
042	3.250	3.375	0.063	3.239	0.070		V90-042BL	V90-042GR
043	3.500	3.625	0.063	3.489	0.070		V90-043BL	

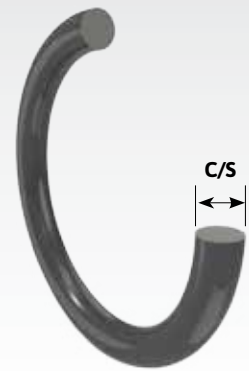


VITON 90 DURO (Brown)

VITON 90 DURO (Black)

VITON 90 DURO (Green)

BS REF	NOMINAL			ACTUAL		PART N ^o	PART N ^o	PART N ^o
	ID	OD	C/S	ID	C/S			
044	3.750	3.875	0.063	3.739	0.070	V90-044BR	V90-044BL	
045	4.000	4.125	0.063	3.989	0.070		V90-045BL	
046	4.250	4.375	0.063	4.239	0.070	V90-046BR	V90-046BL	
047	4.500	4.625	0.063	4.489	0.070	V90-047BR	V90-047BL	
048	4.750	4.875	0.063	4.739	0.070	V90-048BR	V90-048BL	V90-048GR
049	5.000	5.125	0.063	4.989	0.070	V90-049BR	V90-049BL	
050	5.250	5.375	0.063	5.239	0.070	V90-050BR	V90-050BL	
102	0.063	0.250	0.094	0.049	0.103	V90-102BR	V90-102BL	
103	0.094	0.281	0.094	0.081	0.103	V90-103BR	V90-103BL	
104	0.125	0.313	0.094	0.112	0.103	V90-104BR	V90-104BL	
105	0.156	0.344	0.094	0.143	0.103	V90-105BR	V90-105BL	
106	0.187	0.375	0.094	0.174	0.103	V90-106BR	V90-106BL	
107	0.219	0.406	0.094	0.206	0.103		V90-107BL	
108	0.250	0.438	0.094	0.237	0.103	V90-108BR	V90-108BL	V90-108GR
109	0.312	0.500	0.094	0.299	0.103	V90-109BR	V90-109BL	
110	0.375	0.563	0.094	0.362	0.103	V90-110BR	V90-110BL	V90-110GR
111	0.437	0.625	0.094	0.424	0.103	V90-111BR	V90-111BL	V90-111GR
112	0.500	0.688	0.094	0.487	0.103	V90-112BR	V90-112BL	V90-112GR
113	0.562	0.750	0.094	0.549	0.103		V90-113BL	V90-113GR
114	0.625	0.813	0.094	0.612	0.103		V90-114BL	V90-114GR
115	0.687	0.875	0.094	0.674	0.103		V90-115BL	V90-115GR
116	0.750	0.938	0.094	0.737	0.103	V90-116BR	V90-116BL	V90-116GR
117	0.812	1.000	0.094	0.799	0.103		V90-117BL	V90-117GR
118	0.875	1.063	0.094	0.862	0.103	V90-118BR	V90-118BL	V90-118GR
119	0.937	1.125	0.094	0.924	0.103	V90-119BR	V90-119BL	V90-119GR
120	1.000	1.188	0.094	0.987	0.103	V90-120BR	V90-120BL	V90-120GR
121	1.063	1.251	0.094	1.049	0.103		V90-121BL	V90-121GR
122	1.125	1.313	0.094	1.112	0.103	V90-122BR	V90-122BL	V90-122GR
123	1.187	1.375	0.094	1.174	0.103		V90-123BL	V90-123GR
124	1.250	1.438	0.094	1.237	0.103		V90-124BL	
125	1.312	1.500	0.094	1.299	0.103	V90-125BR	V90-125BL	V90-125GR
126	1.375	1.563	0.094	1.362	0.103		V90-126BL	V90-126GR
127	1.437	1.625	0.094	1.424	0.103	V90-127BR	V90-127BL	V90-127GR
128	1.500	1.688	0.094	1.487	0.103	V90-128BR	V90-128BL	
129	1.562	1.750	0.094	1.549	0.103		V90-129BL	V90-129GR
130	1.625	1.813	0.094	1.612	0.103	V90-130BR	V90-130BL	
131	1.687	1.875	0.094	1.674	0.103	V90-131BR	V90-131BL	V90-131GR
132	1.750	1.938	0.094	1.737	0.103	V90-132BR	V90-132BL	V90-132GR
133	1.812	2.000	0.094	1.799	0.103	V90-133BR	V90-133BL	V90-133GR
134	1.875	2.063	0.094	1.862	0.103	V90-134BR	V90-134BL	V90-134GR
135	1.937	2.125	0.094	1.925	0.103	V90-135BR	V90-135BL	
136	2.000	2.188	0.094	1.987	0.103		V90-136BL	V90-136GR
137	2.063	2.251	0.094	2.050	0.103	V90-137BR	V90-137BL	V90-137GR

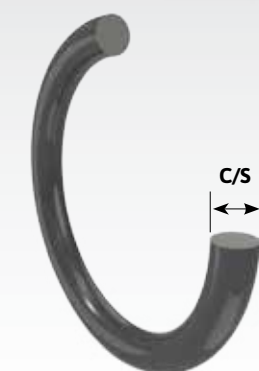


VITON 90 DURO (Brown)

VITON 90 DURO (Black)

VITON 90 DURO (Green)

BS REF	NOMINAL			ACTUAL		PART N ^o	PART N ^o	PART N ^o
	ID	OD	C/S	ID	C/S			
138	2.125	2.313	0.094	2.112	0.103	V90-138BR	V90-138BL	
139	2.187	2.375	0.094	2.175	0.103	V90-139BR	V90-139BL	
140	2.250	2.438	0.094	2.237	0.103	V90-140BR	V90-140BL	
141	2.312	2.500	0.094	2.300	0.103	V90-141BR	V90-141BL	V90-141GR
142	2.375	2.563	0.094	2.362	0.103		V90-142BL	V90-142GR
143	2.437	2.625	0.094	2.425	0.103	V90-143BR	V90-143BL	
144	2.500	2.688	0.094	2.487	0.103		V90-144BL	
145	2.562	2.750	0.094	2.550	0.103	V90-145BR	V90-145BL	
146	2.625	2.813	0.094	2.612	0.103		V90-146BL	
147	2.687	2.875	0.094	2.675	0.103	V90-147BR	V90-147BL	
148	2.750	2.938	0.094	2.737	0.103		V90-148BL	
149	2.812	3.000	0.094	2.800	0.103	V90-149BR	V90-149BL	
150	2.875	3.063	0.094	2.862	0.103	V90-150BR	V90-150BL	V90-150GR
151	3.000	3.188	0.094	2.987	0.103	V90-151BR	V90-151BL	V90-151GR
152	3.250	3.438	0.094	3.237	0.103	V90-152BR	V90-152BL	V90-152GR
153	3.500	3.688	0.094	3.487	0.103	V90-153BR	V90-153BL	
154	3.750	3.938	0.094	3.737	0.103		V90-154BL	V90-154GR
155	4.000	4.188	0.094	3.987	0.103	V90-155BR	V90-155BL	V90-155GR
156	4.250	4.438	0.094	4.237	0.103		V90-156BL	
157	4.500	4.688	0.094	4.487	0.103	V90-157BR	V90-157BL	V90-157GR
158	4.750	4.938	0.094	4.737	0.103	V90-158BR	V90-158BL	V90-158GR
159	5.000	5.188	0.094	4.987	0.103	V90-159BR	V90-159BL	V90-159GR
160	5.250	5.438	0.094	5.237	0.103		V90-160BL	V90-160GR
161	5.500	5.688	0.094	5.487	0.103	V90-161BR	V90-161BL	V90-161GR
162	5.750	5.938	0.094	5.737	0.103	V90-162BR	V90-162BL	
163	6.000	6.188	0.094	5.987	0.103	V90-163BR	V90-163BL	V90-163GR
164	6.250	6.438	0.094	6.237	0.103	V90-164BR	V90-164BL	V90-164GR
165	6.500	6.688	0.094	6.487	0.103	V90-165BR	V90-165BL	V90-165GR
166	6.750	6.938	0.094	6.737	0.103	V90-166BR	V90-166BL	V90-166GR
167	7.000	7.188	0.094	6.987	0.103	V90-167BR	V90-167BL	
168	7.250	7.438	0.094	7.237	0.103	V90-168BR	V90-168BL	V90-168GR
169	7.500	7.688	0.094	7.487	0.103	V90-169BR	V90-169BL	
170	7.750	7.938	0.094	7.737	0.103	V90-170BR	V90-170BL	
171	8.000	8.188	0.094	7.987	0.103	V90-171BR	V90-171BL	V90-171GR
172	8.250	8.438	0.094	8.237	0.103	V90-172BR	V90-172BL	V90-172GR
173	8.500	8.688	0.094	8.487	0.103	V90-173BR	V90-173BL	
174	8.750	8.938	0.094	8.737	0.103	V90-174BR	V90-174BL	
175	9.000	9.188	0.094	8.987	0.103	V90-175BR		
176	9.250	9.438	0.094	9.237	0.103	V90-176BR	V90-176BL	V90-176GR
177	9.500	9.688	0.094	9.487	0.103	V90-177BR	V90-177BL	
178	9.750	9.938	0.094	9.737	0.103	V90-178BR		V90-178GR
201	0.187	0.437	0.125	0.171	0.139	V90-201BR	V90-201BL	
202	0.250	0.500	0.125	0.234	0.139	V90-202BR	V90-202BL	

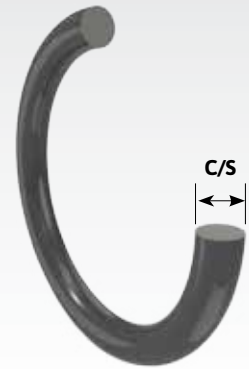


VITON 90 DURO (Brown)

VITON 90 DURO (Black)

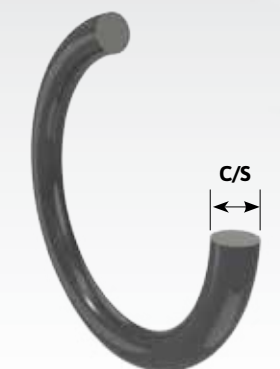
VITON 90 DURO (Green)

BS REF	NOMINAL			ACTUAL		PART N ^o	PART N ^o	PART N ^o
	ID	OD	C/S	ID	C/S			
203	0.312	0.562	0.125	0.296	0.139	V90-203BR	V90-203BL	
204	0.375	0.625	0.125	0.359	0.139		V90-204BL	
205	0.437	0.687	0.125	0.421	0.139	V90-205BR	V90-205BL	
206	0.500	0.750	0.125	0.484	0.139	V90-206BR	V90-206BL	
207	0.562	0.812	0.125	0.546	0.139		V90-207BL	
208	0.625	0.875	0.125	0.609	0.139		V90-208BL	
209	0.687	0.937	0.125	0.671	0.139	V90-209BR	V90-209BL	
210	0.750	1.000	0.125	0.734	0.139	V90-210BR	V90-210BL	V90-210GR
211	0.812	1.062	0.125	0.796	0.139	V90-211BR	V90-211BL	V90-211GR
212	0.875	1.125	0.125	0.859	0.139	V90-212BR	V90-212BL	V90-212GR
213	0.937	1.187	0.125	0.921	0.139	V90-213BR	V90-213BL	V90-213GR
214	1.000	1.250	0.125	0.984	0.139	V90-214BR	V90-214BL	
215	1.063	1.313	0.125	1.046	0.139	V90-215BR	V90-215BL	
216	1.125	1.375	0.125	1.109	0.139	V90-216BR	V90-216BL	V90-216GR
217	1.187	1.437	0.125	1.171	0.139	V90-217BR	V90-217BL	V90-217GR
218	1.250	1.500	0.125	1.234	0.139	V90-218BR	V90-218BL	
219	1.312	1.562	0.125	1.296	0.139	V90-219BR	V90-219BL	V90-219GR
220	1.375	1.625	0.125	1.359	0.139	V90-220BR	V90-220BL	V90-220GR
221	1.437	1.687	0.125	1.421	0.139	V90-221BR	V90-221BL	V90-221GR
222	1.500	1.750	0.125	1.484	0.139	V90-222BR	V90-222BL	V90-222GR
223	1.625	1.875	0.125	1.609	0.139	V90-223BR	V90-223BL	V90-223GR
224	1.750	2.000	0.125	1.734	0.139	V90-224BR	V90-224BL	
225	1.875	2.125	0.125	1.859	0.139	V90-225BR	V90-225BL	V90-225GR
226	2.000	2.250	0.125	1.984	0.139	V90-226BR	V90-226BL	
227	2.125	2.375	0.125	2.109	0.139		V90-227BL	
228	2.250	2.500	0.125	2.234	0.139	V90-228BR	V90-228BL	
229	2.375	2.625	0.125	2.359	0.139	V90-229BR	V90-229BL	V90-229GR
230	2.500	2.750	0.125	2.484	0.139	V90-230BR	V90-230BL	V90-230GR
231	2.625	2.875	0.125	2.609	0.139	V90-231BR	V90-231BL	V90-231GR
232	2.750	3.000	0.125	2.734	0.139	V90-232BR	V90-232BL	V90-232GR
233	2.875	3.125	0.125	2.859	0.139	V90-233BR	V90-233BL	
234	3.000	3.250	0.125	2.984	0.139	V90-234BR	V90-234BL	
235	3.125	3.375	0.125	3.109	0.139	V90-235BR	V90-235BL	V90-235GR
236	3.250	3.500	0.125	3.234	0.139	V90-236BR	V90-236BL	
237	3.375	3.625	0.125	3.359	0.139	V90-237BR	V90-237BL	
238	3.500	3.750	0.125	3.484	0.139		V90-238BL	V90-238GR
239	3.625	3.875	0.125	3.609	0.139		V90-239BL	V90-239GR
240	3.750	4.000	0.125	3.734	0.139	V90-240BR	V90-240BL	V90-240GR
241	3.875	4.125	0.125	3.859	0.139		V90-241BL	V90-241GR
242	4.000	4.250	0.125	3.984	0.139		V90-242BL	
243	4.125	4.375	0.125	4.109	0.139	V90-243BR	V90-243BL	V90-243GR
244	4.250	4.500	0.125	4.234	0.139	V90-244BR	V90-244BL	
245	4.375	4.625	0.125	4.359	0.139	V90-245BR	V90-245BL	V90-245GR



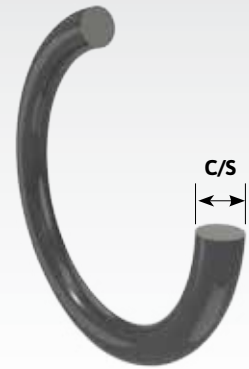
VITON 90 DURO (Brown) VITON 90 DURO (Black) VITON 90 DURO (Green)

BS REF	NOMINAL			ACTUAL		PART N ^o	PART N ^o	PART N ^o
	ID	OD	C/S	ID	C/S			
246	4.500	4.750	0.125	4.484	0.139	V90-246BR	V90-246BL	V90-246GR
247	4.625	4.875	0.125	4.609	0.139		V90-247BL	V90-247GR
248	4.750	5.000	0.125	4.734	0.139	V90-248BR	V90-248BL	
249	4.875	5.125	0.125	4.859	0.139	V90-249BR	V90-249BL	
250	5.000	5.250	0.125	4.984	0.139		V90-250BL	
251	5.125	5.375	0.125	5.109	0.139	V90-251BR	V90-251BL	V90-251GR
252	5.250	5.500	0.125	5.234	0.139	V90-252BR	V90-252BL	V90-252GR
253	5.375	5.625	0.125	5.359	0.139	V90-253BR	V90-253BL	V90-253GR
254	5.500	5.750	0.125	5.484	0.139	V90-254BR	V90-254BL	V90-254GR
255	5.625	5.875	0.125	5.609	0.139		V90-255BL	
256	5.750	6.000	0.125	5.734	0.139		V90-256BL	V90-256GR
257	5.875	6.125	0.125	5.859	0.139	V90-257BR	V90-257BL	V90-257GR
258	6.000	6.250	0.125	5.984	0.139		V90-258BL	V90-258GR
259	6.250	6.500	0.125	6.234	0.139		V90-259BL	V90-259GR
260	6.500	6.750	0.125	6.484	0.139	V90-260BR	V90-260BL	V90-260GR
261	6.750	7.000	0.125	6.734	0.139	V90-261BR	V90-261BL	V90-261GR
262	7.000	7.250	0.125	6.984	0.139	V90-262BR	V90-262BL	
263	7.250	7.500	0.125	7.234	0.139	V90-263BR	V90-263BL	V90-263GR
264	7.500	7.750	0.125	7.484	0.139	V90-264BR	V90-264BL	V90-264GR
265	7.750	8.000	0.125	7.734	0.139	V90-265BR	V90-265BL	V90-265GR
266	8.000	8.250	0.125	7.984	0.139	V90-266BR	V90-266BL	
267	8.250	8.500	0.125	8.234	0.139	V90-267BR	V90-267BL	V90-267GR
268	8.500	8.750	0.125	8.484	0.139		V90-268BL	V90-268GR
269	8.750	9.000	0.125	8.734	0.139	V90-269BR	V90-269BL	
270	9.000	9.250	0.125	8.984	0.139	V90-270BR	V90-270BL	V90-270GR
271	9.250	9.500	0.125	9.234	0.139	V90-271BR	V90-271BL	
272	9.500	9.750	0.125	9.484	0.139	V90-272BR	V90-272BL	V90-272GR
273	9.750	10.000	0.125	9.734	0.139	V90-273BR	V90-273BL	
274	10.000	10.250	0.125	9.984	0.139	V90-274BR	V90-274BL	
275	10.500	10.750	0.125	10.484	0.139	V90-275BR	V90-275BL	
276	11.000	11.250	0.125	10.984	0.139	V90-276BR	V90-276BL	
277	11.500	11.750	0.125	11.484	0.139	V90-277BR	V90-277BL	
278	12.000	12.250	0.125	11.984	0.139	V90-278BR	V90-278BL	
279	13.000	13.250	0.125	12.984	0.139	V90-279BR	V90-279BL	
280	14.000	14.250	0.125	13.984	0.139	V90-280BR	V90-280BL	
281	15.000	15.250	0.125	14.984	0.139	V90-281BR	V90-281BL	
282	16.000	16.250	0.125	15.955	0.139	V90-282BR	V90-282BL	
283	17.000	17.250	0.125	16.955	0.139		V90-283BL	
284	18.000	18.250	0.125	17.955	0.139	V90-284BR	V90-284BL	
309	0.437	0.812	0.188	0.412	0.210	V90-309BR	V90-309BL	
310	0.500	0.875	0.188	0.475	0.210	V90-310BR	V90-310BL	
311	0.562	0.937	0.188	0.537	0.210	V90-311BR	V90-311BL	
312	0.625	1.000	0.188	0.600	0.210	V90-312BR	V90-312BL	



VITON 90 DURO (Brown) VITON 90 DURO (Black) VITON 90 DURO (Green)

BS REF	NOMINAL			ACTUAL		PART N ^o	PART N ^o	PART N ^o
	ID	OD	C/S	ID	C/S			
313	0.687	1.062	0.188	0.662	0.210	V90-313BR	V90-313BL	
314	0.750	1.125	0.188	0.725	0.210	V90-314BR	V90-314BL	
315	0.812	1.187	0.188	0.787	0.210	V90-315BR	V90-315BL	
316	0.875	1.250	0.188	0.850	0.210	V90-316BR	V90-316BL	
317	0.937	1.312	0.188	0.912	0.210	V90-317BR	V90-317BL	
318	1.000	1.375	0.188	0.975	0.210	V90-318BR	V90-318BL	
319	1.062	1.437	0.188	1.037	0.210	V90-319BR	V90-319BL	
320	1.125	1.500	0.188	1.100	0.210	V90-320BR	V90-320BL	
321	1.187	1.562	0.188	1.162	0.210	V90-321BR	V90-321BL	
322	1.250	1.625	0.188	1.225	0.210	V90-322BR	V90-322BL	
323	1.312	1.687	0.188	1.287	0.210	V90-323BR	V90-323BL	
324	1.375	1.750	0.188	1.350	0.210	V90-324BR	V90-324BL	
325	1.500	1.875	0.188	1.475	0.210	V90-325BR	V90-325BL	
326	1.625	2.000	0.188	1.600	0.210		V90-326BL	
327	1.750	2.125	0.188	1.725	0.210		V90-327BL	
328	1.875	2.250	0.188	1.850	0.210	V90-328BR	V90-328BL	V90-328GR
329	2.000	2.375	0.188	1.975	0.210	V90-329BR	V90-329BL	
330	2.125	2.500	0.188	2.100	0.210	V90-330BR	V90-330BL	
331	2.250	2.625	0.188	2.225	0.210	V90-331BR	V90-331BL	
332	2.375	2.750	0.188	2.350	0.210		V90-332BL	
333	2.500	2.875	0.188	2.475	0.210	V90-333BR	V90-333BL	
334	2.625	3.000	0.188	2.600	0.210		V90-334BL	
335	2.750	3.125	0.188	2.725	0.210	V90-335BR	V90-335BL	
336	2.875	3.250	0.188	2.850	0.210	V90-336BR	V90-336BL	
337	3.000	3.375	0.188	2.975	0.210	V90-337BR	V90-337BL	
338	3.125	3.500	0.188	3.100	0.210	V90-338BR	V90-338BL	
339	3.250	3.625	0.188	3.225	0.210	V90-339BR	V90-339BL	
340	3.375	3.750	0.188	3.350	0.210		V90-340BL	
341	3.500	3.875	0.188	3.475	0.210	V90-341BR	V90-341BL	
342	3.625	4.000	0.188	3.600	0.210	V90-342BR	V90-342BL	
343	3.750	4.125	0.188	3.725	0.210	V90-343BR	V90-343BL	
344	3.875	4.250	0.188	3.850	0.210		V90-344BL	
345	4.000	4.375	0.188	3.975	0.210	V90-345BR	V90-345BL	
346	4.125	4.500	0.188	4.100	0.210	V90-346BR	V90-346BL	
347	4.250	4.625	0.188	4.225	0.210	V90-347BR	V90-347BL	
348	4.375	4.750	0.188	4.350	0.210	V90-348BR	V90-348BL	
349	4.500	4.875	0.188	4.475	0.210	V90-349BR	V90-349BL	
350	4.625	5.000	0.188	4.600	0.210	V90-350BR	V90-350BL	
351	4.750	5.125	0.188	4.725	0.210	V90-351BR	V90-351BL	
352	4.875	5.250	0.188	4.850	0.210	V90-352BR	V90-352BL	
353	5.000	5.375	0.188	4.975	0.210	V90-353BR	V90-353BL	
354	5.125	5.500	0.188	5.100	0.210		V90-354BL	
355	5.250	5.625	0.188	5.225	0.210	V90-355BR	V90-355BL	

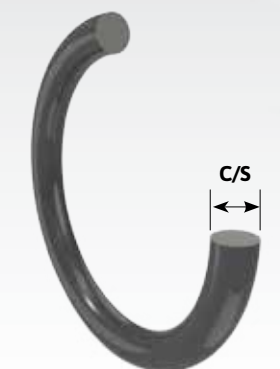


VITON 90 DURO (Brown)

VITON 90 DURO (Black)

VITON 90 DURO (Green)

BS REF	NOMINAL			ACTUAL		PART N ^o	PART N ^o	PART N ^o
	ID	OD	C/S	ID	C/S			
356	5.375	5.750	0.188	5.350	0.210	V90-356BR	V90-356BL	
357	5.500	5.875	0.188	5.475	0.210	V90-357BR	V90-357BL	V90-357GR
358	5.625	6.000	0.188	5.600	0.210	V90-358BR	V90-358BL	
359	5.750	6.125	0.188	5.725	0.210	V90-359BR	V90-359BL	
360	5.875	6.250	0.188	5.850	0.210	V90-360BR	V90-360BL	
361	6.000	6.375	0.188	5.975	0.210	V90-361BR	V90-361BL	V90-361GR
362	6.250	6.625	0.188	6.225	0.210	V90-362BR	V90-362BL	
363	6.500	6.875	0.188	6.475	0.210	V90-363BR	V90-363BL	
364	6.750	7.125	0.188	6.725	0.210	V90-364BR	V90-364BL	
365	7.000	7.375	0.188	6.975	0.210	V90-365BR	V90-365BL	
366	7.250	7.625	0.188	7.225	0.210	V90-366BR	V90-366BL	
367	7.500	7.875	0.188	7.475	0.210	V90-367BR	V90-367BL	
368	7.750	8.125	0.188	7.725	0.210	V90-368BR	V90-368BL	
369	8.000	8.375	0.188	7.975	0.210	V90-369BR	V90-369BL	
370	8.250	8.625	0.188	8.225	0.210	V90-370BR	V90-370BL	
371	8.500	8.875	0.188	8.475	0.210	V90-371BR	V90-371BL	
372	8.750	9.125	0.188	8.725	0.210	V90-372BR	V90-372BL	
373	9.000	9.375	0.188	8.975	0.210	V90-373BR	V90-373BL	
374	9.250	9.625	0.188	9.225	0.210		V90-374BL	
375	9.500	9.875	0.188	9.475	0.210	V90-375BR	V90-375BL	
376	9.750	10.125	0.188	9.725	0.210	V90-376BR	V90-376BL	
377	10.000	10.375	0.188	9.975	0.210	V90-377BR	V90-377BL	
378	10.500	10.875	0.188	10.475	0.210	V90-378BR	V90-378BL	
379	11.000	11.375	0.188	10.975	0.210	V90-379BR	V90-379BL	
380	11.500	11.875	0.188	11.475	0.210	V90-380BR	V90-380BL	
381	12.000	12.375	0.188	11.975	0.210	V90-381BR	V90-381BL	
382	13.000	13.375	0.188	12.975	0.210	V90-382BR	V90-382BL	
383	14.000	14.375	0.188	13.975	0.210	V90-383BR	V90-383BL	V90-383GR
384	15.000	15.375	0.188	14.975	0.210	V90-384BR	V90-384BL	
385	16.000	16.375	0.188	15.955	0.210	V90-385BR	V90-385BL	
386	17.000	17.375	0.188	16.955	0.210	V90-386BR	V90-386BL	
387	18.000	18.375	0.188	17.955	0.210	V90-387BR	V90-387BL	
388	19.000	19.375	0.188	18.955	0.210	V90-388BR	V90-388BL	
389	20.000	20.375	0.188	19.955	0.210	V90-389BR	V90-389BL	
390	21.000	21.375	0.188	20.955	0.210	V90-390BR		
391	22.000	22.375	0.188	21.955	0.210	V90-391BR	V90-391BL	
392	23.000	23.375	0.188	22.940	0.210	V90-392BR		
393	24.000	24.375	0.188	23.940	0.210	V90-393BR		
394	25.000	25.375	0.188	24.940	0.210	V90-394BR		
395	26.000	26.375	0.188	25.940	0.210	V90-395BR		
403	1.750	2.250	0.250	1.725	0.275			
405	2.000	2.500	0.250	1.975	0.275	V90-405BR		
407	2.250	2.750	0.250	2.225	0.275	V90-407BR		

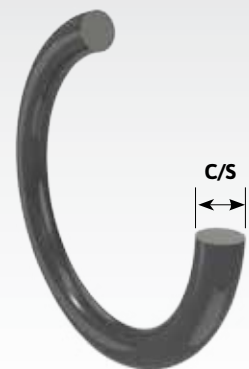


VITON 90 DURO (Brown)

VITON 90 DURO (Black)

VITON 90 DURO (Green)

BS REF	NOMINAL			ACTUAL		PART N ^o	PART N ^o	PART N ^o
	ID	OD	C/S	ID	C/S			
413	3.000	3.500	0.250	2.975	0.275	V90-413BR		
415	3.250	3.750	0.250	3.225	0.275	V90-415BR		
417	3.500	4.000	0.250	3.475	0.275	V90-417BR		
418	3.625	4.125	0.250	3.600	0.275	V90-418BR		
419	3.750	4.250	0.250	3.725	0.275	V90-419BR		
420	3.875	4.375	0.250	3.850	0.275	V90-420BR		
421	4.000	4.500	0.250	3.975	0.275	V90-421BR		
422	4.125	4.625	0.250	4.100	0.275	V90-422BR		
423	4.250	4.750	0.250	4.225	0.275	V90-423BR		
425	4.500	5.000	0.250	4.475	0.275	V90-425BR	V90-425BL	
426	4.625	5.125	0.250	4.600	0.275	V90-426BR	V90-426BL	
427	4.750	5.250	0.250	4.725	0.275	V90-427BR	V90-427BL	
428	4.875	5.375	0.250	4.850	0.275	V90-428BR	V90-428BL	
429	5.000	5.500	0.250	4.975	0.275	V90-429BR	V90-429BL	
430	5.125	5.625	0.250	5.100	0.275	V90-430BR	V90-430BL	
431	5.250	5.750	0.250	5.225	0.275	V90-431BR	V90-431BL	
432	5.375	5.875	0.250	5.350	0.275	V90-432BR	V90-432BL	
433	5.500	6.000	0.250	5.475	0.275	V90-433BR	V90-433BL	
434	5.625	6.125	0.250	5.600	0.275		V90-434BL	
435	5.750	6.250	0.250	5.725	0.275	V90-435BR	V90-435BL	
436	5.875	6.375	0.250	5.850	0.275	V90-436BR	V90-436BL	
437	6.000	6.500	0.250	5.975	0.275	V90-437BR	V90-437BL	
438	6.250	6.750	0.250	6.225	0.275		V90-438BL	
439	6.500	7.000	0.250	6.475	0.275	V90-439BR	V90-439BL	
440	6.750	7.250	0.250	6.725	0.275	V90-440BR	V90-440BL	
441	7.000	7.500	0.250	6.975	0.275	V90-441BR	V90-441BL	
442	7.250	7.750	0.250	7.225	0.275	V90-442BR	V90-442BL	
443	7.500	8.000	0.250	7.475	0.275	V90-443BR	V90-443BL	
444	7.750	8.250	0.250	7.725	0.275	V90-444BR	V90-444BL	
445	8.000	8.500	0.250	7.975	0.275	V90-445BR	V90-445BL	
446	8.500	9.000	0.250	8.475	0.275	V90-446BR	V90-446BL	
447	9.000	9.500	0.250	8.975	0.275	V90-447BR	V90-447BL	
448	9.500	10.000	0.250	9.475	0.275	V90-448BR	V90-448BL	
449	10.000	10.500	0.250	9.975	0.275	V90-449BR	V90-449BL	
450	10.500	11.000	0.250	10.475	0.275	V90-450BR	V90-450BL	
451	11.000	11.500	0.250	10.975	0.275	V90-451BR	V90-451BL	
452	11.500	12.000	0.250	11.475	0.275	V90-452BR	V90-452BL	
453	12.000	12.500	0.250	11.975	0.275	V90-453BR	V90-453BL	
454	12.500	13.000	0.250	12.475	0.275	V90-454BR	V90-454BL	
455	13.000	13.500	0.250	12.975	0.275	V90-455BR	V90-455BL	
456	13.500	14.000	0.250	13.475	0.275	V90-456BR	V90-456BL	
457	14.000	14.500	0.250	13.975	0.275	V90-457BR	V90-457BL	
458	14.500	15.000	0.250	14.475	0.275	V90-458BR	V90-458BL	



V90BR

V90BL

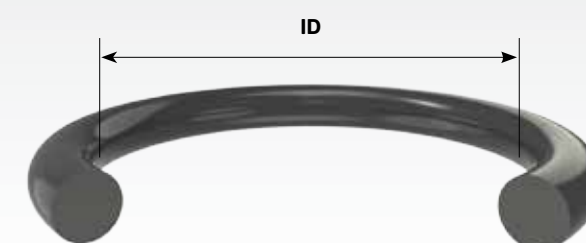
V90GR

VITON 90 DURO (Brown)

VITON 90 DURO (Black)

VITON 90 DURO (Green)

BS REF	NOMINAL			ACTUAL		PART N ^o	PART N ^o	PART N ^o
	ID	OD	C/S	ID	C/S			
459	15.000	15.500	0.250	14.975	0.275	V90-459BR	V90-459BL	
460	15.500	16.000	0.250	15.475	0.275	V90-460BR	V90-460BL	
461	16.000	16.500	0.250	15.955	0.275	V90-461BR	V90-461BL	
462	16.500	17.000	0.250	16.455	0.275	V90-462BR	V90-462BL	
463	17.000	17.500	0.250	16.955	0.275	V90-463BR	V90-463BL	
464	17.500	18.000	0.250	17.455	0.275	V90-464BR	V90-464BL	
465	18.000	18.500	0.250	17.955	0.275	V90-465BR	V90-465BL	
466	18.500	19.000	0.250	18.455	0.275	V90-466BR	V90-466BL	
467	19.000	19.500	0.250	18.955	0.275	V90-467BR	V90-467BL	
468	19.500	20.000	0.250	19.455	0.275	V90-468BR	V90-468BL	
469	20.000	20.500	0.250	19.955	0.275	V90-469BR	V90-469BL	
470	21.000	21.500	0.250	20.955	0.275	V90-470BR	V90-470BL	
471	22.000	22.500	0.250	21.955	0.275	V90-471BR	V90-471BL	
472	23.000	23.500	0.250	22.940	0.275	V90-472BR	V90-472BL	
473	24.000	24.500	0.250	23.940	0.275	V90-473BR	V90-473BL	
474	25.000	25.500	0.250	24.940	0.275	V90-474BR	V90-474BL	
475	26.000	26.500	0.250	25.940	0.275	V90-475BR	V90-475BL	



V90BR

V90BL

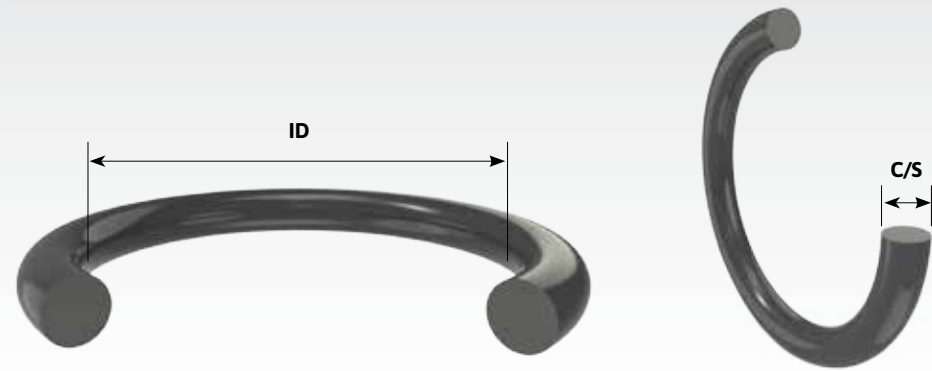
V90GR

VITON 90 DURO (Brown)

VITON 90 DURO (Black)

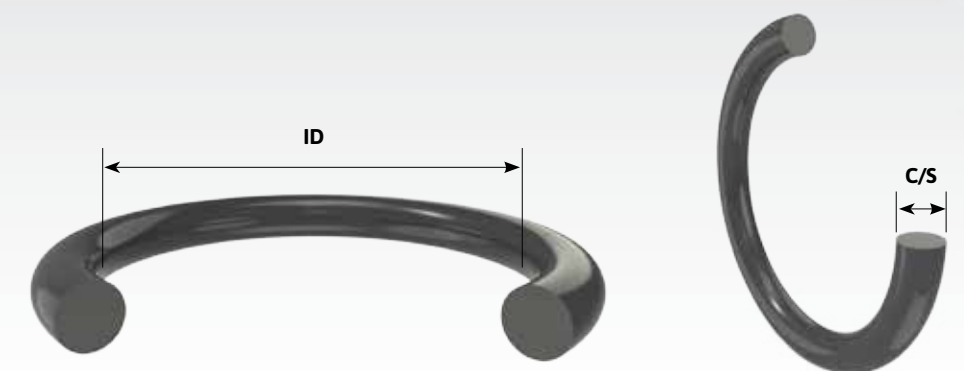
VITON 90 DURO (Green)

BS REF	NOMINAL		ACTUAL		REF N ^o	REF N ^o	REF N ^o
	TUBE O.D	ID	C/S	C/S			
901	3/32	0.185	0.056		V90-901BR	V90-901BL	V90-901GR
902	1/8	0.239	0.064		V90-902BR	V90-902BL	
903	3/16	0.301	0.064		V90-903BR	V90-903BL	
904	1/4	0.351	0.072		V90-904BR	V90-904BL	
905	5/16	0.414	0.072		V90-905BR	V90-905BL	
906	3/8	0.468	0.078		V90-906BR	V90-906BL	V90-906GR
907	7/16	0.530	0.082		V90-907BR	V90-907BL	
908	1/2	0.644	0.087		V90-908BR	V90-908BL	
909	9/16	0.706	0.097		V90-909BR	V90-909BL	
910	5/8	0.755	0.097		V90-910BR	V90-910BL	V90-910GR
911	1,1/16	0.863	0.116		V90-911BR	V90-911BL	
912	3/4	0.924	0.116		V90-912BR	V90-912BL	V90-912GR
913	1,3/16	0.986	0.116		V90-913BR	V90-913BL	
914	7/8	1.047	0.116		V90-914BR	V90-914BL	
916	1	1.171	0.116		V90-916BR	V90-916BL	
918	1,1/8	1.355	0.116		V90-918BR	V90-918BL	
920	1,1/4	1.475	0.118		V90-920BR	V90-920BL	
924	1,1/2	1.720	0.118		V90-924BR	V90-924BL	
928	1,3/4	2.090	0.118		V90-928BR	V90-928BL	
932	2	2.337	0.118		V90-932BR	V90-932BL	



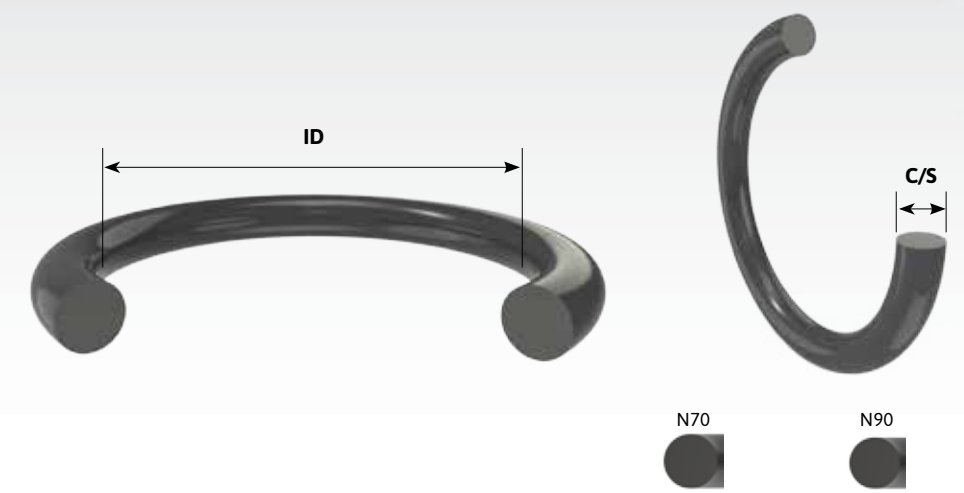
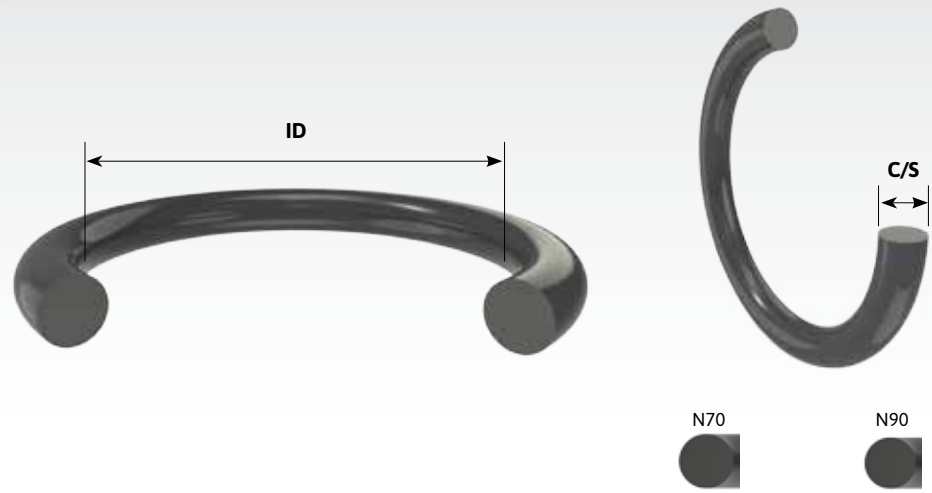
NITRILE 70 DURO **NITRILE 90 DURO**

BS REF	NOMINAL			ACTUAL		PART N ^o	PART N ^o
	ID	OD	C/S	ID	C/S		
001	0.031	0.094	0.031	0.029	0.040	N70-001	N90-001
001.5	0.063	0.125	0.031	0.070	0.040	N70-001.5	
002	0.047	0.141	0.047	0.042	0.050	N70-002	N90-002
003	0.063	0.188	0.063	0.056	0.060	N70-003	N90-003
004	0.078	0.203	0.063	0.070	0.070	N70-004	N90-004
005	0.094	0.219	0.063	0.101	0.070	N70-005	N90-005
006	0.125	0.250	0.063	0.114	0.070	N70-006	N90-006
007	0.156	0.281	0.063	0.145	0.070	N70-007	N90-007
008	0.188	0.313	0.063	0.176	0.070	N70-008	N90-008
009	0.219	0.344	0.063	0.208	0.070	N70-009	N90-009
010	0.250	0.375	0.063	0.239	0.070	N70-010	N90-010
011	0.313	0.438	0.063	0.301	0.070	N70-011	N90-011
012	0.375	0.500	0.063	0.364	0.070	N70-012	N90-012
013	0.438	0.563	0.063	0.426	0.070	N70-013	N90-013
014	0.500	0.625	0.063	0.489	0.070	N70-014	N90-014
015	0.562	0.687	0.063	0.551	0.070	N70-015	N90-015
016	0.625	0.750	0.063	0.614	0.070	N70-016	N90-016
017	0.687	0.812	0.063	0.676	0.070	N70-017	N90-017
018	0.750	0.875	0.063	0.739	0.070	N70-018	N90-018
019	0.812	0.937	0.063	0.801	0.070	N70-019	N90-019
020	0.875	1.000	0.063	0.864	0.070	N70-020	N90-020
021	0.938	1.063	0.063	0.926	0.070	N70-021	N90-021
022	1.000	1.125	0.063	0.989	0.070	N70-022	N90-022
023	1.063	1.188	0.063	1.051	0.070	N70-023	N90-023
024	1.125	1.250	0.063	1.114	0.070	N70-024	N90-024
025	1.188	1.313	0.063	1.176	0.070	N70-025	N90-025
026	1.250	1.375	0.063	1.239	0.070	N70-026	N90-026
027	1.313	1.438	0.063	1.301	0.070	N70-027	N90-027
028	1.375	1.500	0.063	1.364	0.070	N70-028	N90-028
029	1.500	1.625	0.063	1.489	0.070	N70-029	N90-029
030	1.625	1.750	0.063	1.614	0.070	N70-030	N90-030
031	1.750	1.875	0.063	1.739	0.070	N70-031	N90-031
032	1.875	2.000	0.063	1.864	0.070	N70-032	N90-032
033	2.000	2.125	0.063	1.989	0.070	N70-033	N90-033
034	2.125	2.250	0.063	2.114	0.070	N70-034	N90-034
035	2.250	2.375	0.063	2.239	0.070	N70-035	N90-035
036	2.375	2.500	0.063	2.364	0.070	N70-036	N90-036
037	2.500	2.625	0.063	2.489	0.070	N70-037	N90-037
038	2.625	2.750	0.063	2.614	0.070	N70-038	N90-038
039	2.750	2.875	0.063	2.739	0.070	N70-039	N90-039
040	2.875	3.000	0.063	2.864	0.070	N70-040	N90-040
041	3.000	3.125	0.063	2.989	0.070	N70-041	N90-041
042	3.250	3.375	0.063	3.239	0.070	N70-042	N90-042



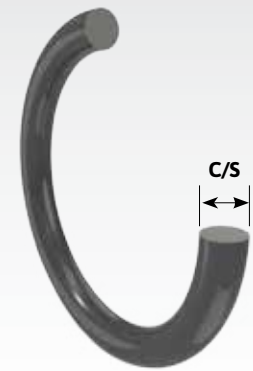
NITRILE 70 DURO **NITRILE 90 DURO**

BS REF	NOMINAL			ACTUAL		PART N ^o	PART N ^o
	ID	OD	C/S	ID	C/S		
043	3.500	3.625	0.063	3.489	0.070	N70-043	N90-043
044	3.750	3.875	0.063	3.739	0.070	N70-044	N90-044
045	4.000	4.125	0.063	3.989	0.070	N70-045	N90-045
046	4.250	4.375	0.063	4.239	0.070	N70-046	N90-046
047	4.500	4.625	0.063	4.489	0.070	N70-047	N90-047
048	4.750	4.875	0.063	4.739	0.070	N70-048	N90-048
049	5.000	5.125	0.063	4.989	0.070	N70-049	N90-049
050	5.250	5.375	0.063	5.239	0.070	N70-050	N90-050
102	0.063	0.250	0.094	0.049	0.103	N70-102	N90-102
103	0.094	0.281	0.094	0.081	0.103	N70-103	N90-103
104	0.125	0.313	0.094	0.112	0.103	N70-104	N90-104
105	0.156	0.344	0.094	0.143	0.103	N70-105	N90-105
106	0.187	0.375	0.094	0.174	0.103	N70-106	N90-106
107	0.219	0.406	0.094	0.206	0.103	N70-107	N90-107
108	0.250	0.438	0.094	0.237	0.103	N70-108	N90-108
109	0.312	0.500	0.094	0.299	0.103	N70-109	N90-109
110	0.375	0.563	0.094	0.362	0.103	N70-110	N90-110
111	0.437	0.625	0.094	0.424	0.103	N70-111	N90-111
112	0.500	0.688	0.094	0.487	0.103	N70-112	N90-112
113	0.562	0.750	0.094	0.549	0.103	N70-113	N90-113
114	0.625	0.813	0.094	0.612	0.103	N70-114	N90-114
115	0.687	0.875	0.094	0.674	0.103	N70-115	N90-115
116	0.750	0.938	0.094	0.737	0.103	N70-116	N90-116
117	0.812	1.000	0.094	0.799	0.103	N70-117	N90-117
118	0.875	1.063	0.094	0.862	0.103	N70-118	N90-118
119	0.937	1.125	0.094	0.924	0.103	N70-119	N90-119
120	1.000	1.188	0.094	0.987	0.103	N70-120	N90-120
121	1.063	1.251	0.094	1.049	0.103	N70-121	N90-121
122	1.125	1.313	0.094	1.112	0.103	N70-122	N90-122
123	1.187	1.375	0.094	1.174	0.103	N70-123	N90-123
124	1.250	1.438	0.094	1.237	0.103	N70-124	N90-124
125	1.312	1.500	0.094	1.299	0.103	N70-125	N90-125
126	1.375	1.563	0.094	1.362	0.103	N70-126	N90-126
127	1.437	1.625	0.094	1.424	0.103	N70-127	N90-127
128	1.500	1.688	0.094	1.487	0.103	N70-128	N90-128
129	1.562	1.750	0.094	1.549	0.103	N70-129	N90-129
130	1.625	1.813	0.094	1.612	0.103	N70-130	N90-130
131	1.687	1.875	0.094	1.674	0.103	N70-131	N90-131
132	1.750	1.938	0.094	1.737	0.103	N70-132	N90-132
133	1.812	2.000	0.094	1.799	0.103	N70-133	N90-133
134	1.875	2.063	0.094	1.862	0.103	N70-134	N90-134
135	1.937	2.125	0.094	1.925	0.103	N70-135	N90-135
136	2.000	2.188	0.094	1.987	0.103	N70-136	N90-136



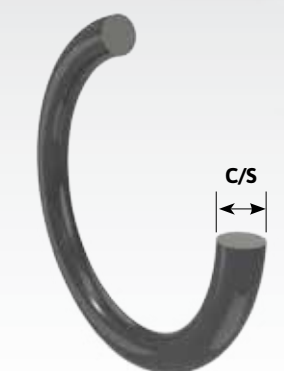
BS REF	NOMINAL			ACTUAL		PART N ^o	PART N ^o
	ID	OD	C/S	ID	C/S		
137	2.063	2.251	0.094	2.050	0.103	N70-137	N90-137
138	2.125	2.313	0.094	2.112	0.103	N70-138	N90-138
139	2.187	2.375	0.094	2.175	0.103	N70-139	N90-139
140	2.250	2.438	0.094	2.237	0.103	N70-140	N90-140
141	2.312	2.500	0.094	2.300	0.103	N70-141	N90-141
142	2.375	2.563	0.094	2.362	0.103	N70-142	N90-142
143	2.437	2.625	0.094	2.425	0.103	N70-143	N90-143
144	2.500	2.688	0.094	2.487	0.103	N70-144	N90-144
145	2.562	2.750	0.094	2.550	0.103	N70-145	N90-145
146	2.625	2.813	0.094	2.612	0.103	N70-146	N90-146
147	2.687	2.875	0.094	2.675	0.103	N70-147	N90-147
148	2.750	2.938	0.094	2.737	0.103	N70-148	N90-148
149	2.812	3.000	0.094	2.800	0.103	N70-149	N90-149
150	2.875	3.063	0.094	2.862	0.103	N70-150	N90-150
151	3.000	3.188	0.094	2.987	0.103	N70-151	N90-151
152	3.250	3.438	0.094	3.237	0.103	N70-152	N90-152
153	3.500	3.688	0.094	3.487	0.103	N70-153	N90-153
154	3.750	3.938	0.094	3.737	0.103	N70-154	N90-154
155	4.000	4.188	0.094	3.987	0.103	N70-155	N90-155
156	4.250	4.438	0.094	4.237	0.103	N70-156	N90-156
157	4.500	4.688	0.094	4.487	0.103	N70-157	N90-157
158	4.750	4.938	0.094	4.737	0.103	N70-158	N90-158
159	5.000	5.188	0.094	4.987	0.103	N70-159	N90-159
160	5.250	5.438	0.094	5.237	0.103	N70-160	N90-160
161	5.500	5.688	0.094	5.487	0.103	N70-161	N90-161
162	5.750	5.938	0.094	5.737	0.103	N70-162	N90-162
163	6.000	6.188	0.094	5.987	0.103	N70-163	N90-163
164	6.250	6.438	0.094	6.237	0.103	N70-164	N90-164
165	6.500	6.688	0.094	6.487	0.103	N70-165	N90-165
166	6.750	6.938	0.094	6.737	0.103	N70-166	N90-166
167	7.000	7.188	0.094	6.987	0.103	N70-167	N90-167
168	7.250	7.438	0.094	7.237	0.103	N70-168	N90-168
169	7.500	7.688	0.094	7.487	0.103	N70-169	N90-169
170	7.750	7.938	0.094	7.737	0.103	N70-170	N90-170
171	8.000	8.188	0.094	7.987	0.103	N70-171	N90-171
172	8.250	8.438	0.094	8.237	0.103	N70-172	N90-172
173	8.500	8.688	0.094	8.487	0.103	N70-173	N90-173
174	8.750	8.938	0.094	8.737	0.103	N70-174	N90-174
175	9.000	9.188	0.094	8.987	0.103	N70-175	N90-175
176	9.250	9.438	0.094	9.237	0.103	N70-176	N90-176
177	9.500	9.688	0.094	9.487	0.103	N70-177	N90-177
178	9.750	9.938	0.094	9.737	0.103	N70-178	N90-178
201	0.187	0.437	0.125	0.171	0.139	N70-201	N90-201

BS REF	NOMINAL			ACTUAL		PART N ^o	PART N ^o
	ID	OD	C/S	ID	C/S		
202	0.250	0.500	0.125	0.234	0.139	N70-202	N90-202
203	0.312	0.562	0.125	0.296	0.139	N70-203	N90-203
204	0.375	0.625	0.125	0.359	0.139	N70-204	N90-204
205	0.437	0.687	0.125	0.421	0.139	N70-205	N90-205
206	0.500	0.750	0.125	0.484	0.139	N70-206	N90-206
207	0.562	0.812	0.125	0.546	0.139	N70-207	N90-207
208	0.625	0.875	0.125	0.609	0.139	N70-208	N90-208
209	0.687	0.937	0.125	0.671	0.139	N70-209	N90-209
210	0.750	1.000	0.125	0.734	0.139	N70-210	N90-210
211	0.812	1.062	0.125	0.796	0.139	N70-211	N90-211
212	0.875	1.125	0.125	0.859	0.139	N70-212	N90-212
213	0.937	1.187	0.125	0.921	0.139	N70-213	N90-213
214	1.000	1.250	0.125	0.984	0.139	N70-214	N90-214
215	1.063	1.313	0.125	1.046	0.139	N70-215	N90-215
216	1.125	1.375	0.125	1.109	0.139	N70-216	N90-216
217	1.187	1.437	0.125	1.171	0.139	N70-217	N90-217
218	1.250	1.500	0.125	1.234	0.139	N70-218	N90-218
219	1.312	1.562	0.125	1.296	0.139	N70-219	N90-219
220	1.375	1.625	0.125	1.359	0.139	N70-220	N90-220
221	1.437	1.687	0.125	1.421	0.139	N70-221	N90-221
222	1.500	1.750	0.125	1.484	0.139	N70-222	N90-222
223	1.625	1.875	0.125	1.609	0.139	N70-223	N90-223
224	1.750	2.000	0.125	1.734	0.139	N70-224	N90-224
225	1.875	2.125	0.125	1.859	0.139	N70-225	N90-225
226	2.000	2.250	0.125	1.984	0.139	N70-226	N90-226
227	2.125	2.375	0.125	2.109	0.139	N70-227	N90-227
228	2.250	2.500	0.125	2.234	0.139	N70-228	N90-228
229	2.375	2.625	0.125	2.359	0.139	N70-229	N90-229
230	2.500	2.750	0.125	2.484	0.139	N70-230	N90-230
231	2.625	2.875	0.125	2.609	0.139	N70-231	N90-231
232	2.750	3.000	0.125	2.734	0.139	N70-232	N90-232
233	2.875	3.125	0.125	2.859	0.139	N70-233	N90-233
234	3.000	3.250	0.125	2.984	0.139	N70-234	N90-234
235	3.125	3.375	0.125	3.109	0.139	N70-235	N90-235
236	3.250	3.500	0.125	3.234	0.139	N70-236	N90-236
237	3.375	3.625	0.125	3.359	0.139	N70-237	N90-237
238	3.500	3.750	0.125	3.484	0.139	N70-238	N90-238
239	3.625	3.875	0.125	3.609	0.139	N70-239	N90-239
240	3.750	4.000	0.125	3.734	0.139	N70-240	N90-240
241	3.875	4.125	0.125	3.859	0.139	N70-241	N90-241
242	4.000	4.250	0.125	3.984	0.139	N70-242	N90-242
243	4.125	4.375	0.125	4.109	0.139	N70-243	N90-243
244	4.250	4.500	0.125	4.234	0.139	N70-244	N90-244



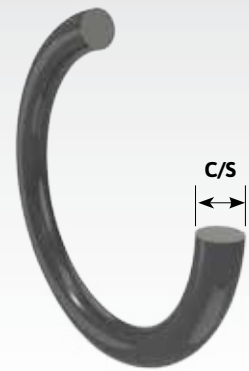
NITRILE 70 DURO **NITRILE 90 DURO**

BS REF	NOMINAL			ACTUAL		PART N ^o	PART N ^o
	ID	OD	C/S	ID	C/S		
245	4.375	4.625	0.125	4.359	0.139	N70-245	N90-245
246	4.500	4.750	0.125	4.484	0.139	N70-246	N90-246
247	4.625	4.875	0.125	4.609	0.139	N70-247	N90-247
248	4.750	5.000	0.125	4.734	0.139	N70-248	N90-248
249	4.875	5.125	0.125	4.859	0.139	N70-249	N90-249
250	5.000	5.250	0.125	4.984	0.139	N70-250	N90-250
251	5.125	5.375	0.125	5.109	0.139	N70-251	N90-251
252	5.250	5.500	0.125	5.234	0.139	N70-252	N90-252
253	5.375	5.625	0.125	5.359	0.139	N70-253	N90-253
254	5.500	5.750	0.125	5.484	0.139	N70-254	N90-254
255	5.625	5.875	0.125	5.609	0.139	N70-255	N90-255
256	5.750	6.000	0.125	5.734	0.139	N70-256	N90-256
257	5.875	6.125	0.125	5.859	0.139	N70-257	N90-257
258	6.000	6.250	0.125	5.984	0.139	N70-258	N90-258
259	6.250	6.500	0.125	6.234	0.139	N70-259	N90-259
260	6.500	6.750	0.125	6.484	0.139	N70-260	N90-260
261	6.750	7.000	0.125	6.734	0.139	N70-261	N90-261
262	7.000	7.250	0.125	6.984	0.139	N70-262	N90-262
263	7.250	7.500	0.125	7.234	0.139	N70-263	N90-263
264	7.500	7.750	0.125	7.484	0.139	N70-264	N90-264
265	7.750	8.000	0.125	7.734	0.139	N70-265	N90-265
266	8.000	8.250	0.125	7.984	0.139	N70-266	N90-266
267	8.250	8.500	0.125	8.234	0.139	N70-267	N90-267
268	8.500	8.750	0.125	8.484	0.139	N70-268	N90-268
269	8.750	9.000	0.125	8.734	0.139	N70-269	N90-269
270	9.000	9.250	0.125	8.984	0.139	N70-270	N90-270
271	9.250	9.500	0.125	9.234	0.139	N70-271	N90-271
272	9.500	9.750	0.125	9.484	0.139	N70-272	N90-272
273	9.750	10.000	0.125	9.734	0.139	N70-273	N90-273
274	10.000	10.250	0.125	9.984	0.139	N70-274	N90-274
275	10.500	10.750	0.125	10.484	0.139	N70-275	N90-275
276	11.000	11.250	0.125	10.984	0.139	N70-276	N90-276
277	11.500	11.750	0.125	11.484	0.139	N70-277	N90-277
278	12.000	12.250	0.125	11.984	0.139	N70-278	N90-278
279	13.000	13.250	0.125	12.984	0.139	N70-279	N90-279
280	14.000	14.250	0.125	13.984	0.139	N70-280	N90-280
281	15.000	15.250	0.125	14.984	0.139	N70-281	N90-281
282	16.000	16.250	0.125	15.955	0.139	N70-282	N90-282
283	17.000	17.250	0.125	16.955	0.139	N70-283	N90-283
284	18.000	18.250	0.125	17.955	0.139	N70-284	N90-284
309	0.437	0.812	0.188	0.412	0.210	N70-309	N90-309
310	0.500	0.875	0.188	0.475	0.210	N70-310	N90-310
311	0.562	0.937	0.188	0.537	0.210	N70-311	N90-311



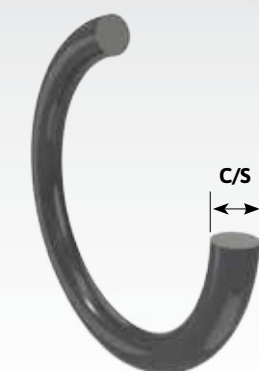
NITRILE 70 DURO **NITRILE 90 DURO**

BS REF	NOMINAL			ACTUAL		PART N ^o	PART N ^o
	ID	OD	C/S	ID	C/S		
312	0.625	1.000	0.188	0.600	0.210	N70-312	N90-312
313	0.687	1.062	0.188	0.662	0.210	N70-313	N90-313
314	0.750	1.125	0.188	0.725	0.210	N70-314	N90-314
315	0.812	1.187	0.188	0.787	0.210	N70-315	N90-315
316	0.875	1.250	0.188	0.850	0.210	N70-316	N90-316
317	0.937	1.312	0.188	0.912	0.210	N70-317	N90-317
318	1.000	1.375	0.188	0.975	0.210	N70-318	N90-318
319	1.062	1.437	0.188	1.037	0.210	N70-319	N90-319
320	1.125	1.500	0.188	1.100	0.210	N70-320	N90-320
321	1.187	1.562	0.188	1.162	0.210	N70-321	N90-321
322	1.250	1.625	0.188	1.225	0.210	N70-322	N90-322
323	1.312	1.687	0.188	1.287	0.210	N70-323	N90-323
324	1.375	1.750	0.188	1.350	0.210	N70-324	N90-324
325	1.500	1.875	0.188	1.475	0.210	N70-325	N90-325
326	1.625	2.000	0.188	1.600	0.210	N70-326	N90-326
327	1.750	2.125	0.188	1.725	0.210	N70-327	N90-327
328	1.875	2.250	0.188	1.850	0.210	N70-328	N90-328
329	2.000	2.375	0.188	1.975	0.210	N70-329	N90-329
330	2.125	2.500	0.188	2.100	0.210	N70-330	N90-330
331	2.250	2.625	0.188	2.225	0.210	N70-331	N90-331
332	2.375	2.750	0.188	2.350	0.210	N70-332	N90-332
333	2.500	2.875	0.188	2.475	0.210	N70-333	N90-333
334	2.625	3.000	0.188	2.600	0.210	N70-334	N90-334
335	2.750	3.125	0.188	2.725	0.210	N70-335	N90-335
336	2.875	3.250	0.188	2.850	0.210	N70-336	N90-336
337	3.000	3.375	0.188	2.975	0.210	N70-337	N90-337
338	3.125	3.500	0.188	3.100	0.210	N70-338	N90-338
339	3.250	3.625	0.188	3.225	0.210	N70-339	N90-339
340	3.375	3.750	0.188	3.350	0.210	N70-340	N90-340
341	3.500	3.875	0.188	3.475	0.210	N70-341	N90-341
342	3.625	4.000	0.188	3.600	0.210	N70-342	N90-342
343	3.750	4.125	0.188	3.725	0.210	N70-343	N90-343
344	3.875	4.250	0.188	3.850	0.210	N70-344	N90-344
345	4.000	4.375	0.188	3.975	0.210	N70-345	N90-345
346	4.125	4.500	0.188	4.100	0.210	N70-346	N90-346
347	4.250	4.625	0.188	4.225	0.210	N70-347	N90-347
348	4.375	4.750	0.188	4.350	0.210	N70-348	N90-348
349	4.500	4.875	0.188	4.475	0.210	N70-349	N90-349
350	4.625	5.000	0.188	4.600	0.210	N70-350	N90-350
351	4.750	5.125	0.188	4.725	0.210	N70-351	N90-351
352	4.875	5.250	0.188	4.850	0.210	N70-352	N90-352
353	5.000	5.375	0.188	4.975	0.210	N70-353	N90-353
354	5.125	5.500	0.188	5.100	0.210	N70-354	N90-354



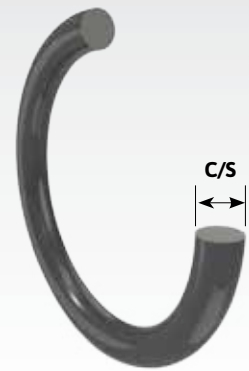
NITRILE 70 DURO **NITRILE 90 DURO**

BS REF	NOMINAL			ACTUAL		PART N ^o	PART N ^o
	ID	OD	C/S	ID	C/S		
355	5.250	5.625	0.188	5.225	0.210	N70-355	N90-355
356	5.375	5.750	0.188	5.350	0.210	N70-356	N90-356
357	5.500	5.875	0.188	5.475	0.210	N70-357	N90-357
358	5.625	6.000	0.188	5.600	0.210	N70-358	N90-358
359	5.750	6.125	0.188	5.725	0.210	N70-359	N90-359
360	5.875	6.250	0.188	5.850	0.210	N70-360	N90-360
361	6.000	6.375	0.188	5.975	0.210	N70-361	N90-361
362	6.250	6.625	0.188	6.225	0.210	N70-362	N90-362
363	6.500	6.875	0.188	6.475	0.210	N70-363	N90-363
364	6.750	7.125	0.188	6.725	0.210	N70-364	N90-364
365	7.000	7.375	0.188	6.975	0.210	N70-365	N90-365
366	7.250	7.625	0.188	7.225	0.210	N70-366	N90-366
367	7.500	7.875	0.188	7.475	0.210	N70-367	N90-367
368	7.750	8.125	0.188	7.725	0.210	N70-368	N90-368
369	8.000	8.375	0.188	7.975	0.210	N70-369	N90-369
370	8.250	8.625	0.188	8.225	0.210	N70-370	N90-370
371	8.500	8.875	0.188	8.475	0.210	N70-371	N90-371
372	8.750	9.125	0.188	8.725	0.210	N70-372	N90-372
373	9.000	9.375	0.188	8.975	0.210	N70-373	N90-373
374	9.250	9.625	0.188	9.225	0.210	N70-374	N90-374
375	9.500	9.875	0.188	9.475	0.210	N70-375	N90-375
376	9.750	10.125	0.188	9.725	0.210	N70-376	N90-376
377	10.000	10.375	0.188	9.975	0.210	N70-377	N90-377
378	10.500	10.875	0.188	10.475	0.210	N70-378	N90-378
379	11.000	11.375	0.188	10.975	0.210	N70-379	N90-379
380	11.500	11.875	0.188	11.475	0.210	N70-380	N90-380
381	12.000	12.375	0.188	11.975	0.210	N70-381	N90-381
382	13.000	13.375	0.188	12.975	0.210	N70-382	N90-382
383	14.000	14.375	0.188	13.975	0.210	N70-383	N90-383
384	15.000	15.375	0.188	14.975	0.210	N70-384	N90-384
385	16.000	16.375	0.188	15.955	0.210	N70-385	N90-385
386	17.000	17.375	0.188	16.955	0.210	N70-386	N90-386
387	18.000	18.375	0.188	17.955	0.210	N70-387	N90-387
388	19.000	19.375	0.188	18.955	0.210	N70-388	N90-388
389	20.000	20.375	0.188	19.955	0.210	N70-389	N90-389
390	21.000	21.375	0.188	20.955	0.210	N70-390	N90-390
391	22.000	22.375	0.188	21.955	0.210	N70-391	N90-391
392	23.000	23.375	0.188	22.940	0.210	N70-392	N90-392
393	24.000	24.375	0.188	23.940	0.210	N70-393	N90-393
394	25.000	25.375	0.188	24.940	0.210	N70-394	N90-394
395	26.000	26.375	0.188	25.940	0.210	N70-395	N90-395
401	1.500	2.000	0.250	1.475	0.275	N70-401	N90-401
403	1.750	2.250	0.250	1.725	0.275	N70-403	



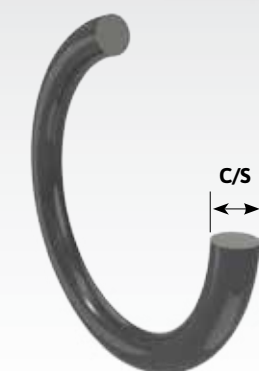
NITRILE 70 DURO **NITRILE 90 DURO**

BS REF	NOMINAL			ACTUAL		PART N ^o	PART N ^o
	ID	OD	C/S	ID	C/S		
404	1.875	2.375	0.250	1.850	0.275	N70-404	N90-404
405	2.000	2.500	0.250	1.975	0.275	N70-405	N90-405
407	2.250	2.750	0.250	2.225	0.275	N70-407	N90-407
408	2.375	2.875	0.250	2.350	0.275	N70-408	N90-408
409	2.500	3.000	0.250	2.475	0.275	N70-409	N90-409
410	2.625	3.125	0.250	2.600	0.275	N70-410	N90-410
411	2.750	3.250	0.250	2.725	0.275	N70-411	N90-411
412	2.875	3.375	0.250	2.850	0.275	N70-412	
413	3.000	3.500	0.250	2.975	0.275	N70-413	N90-413
414	3.125	3.625	0.250	3.100	0.275	N70-414	
415	3.250	3.750	0.250	3.225	0.275	N70-415	N90-415
416	3.375	3.875	0.250	3.350	0.275	N70-416	N90-416
417	3.500	4.000	0.250	3.475	0.275	N70-417	N90-417
418	3.625	4.125	0.250	3.600	0.275	N70-418	N90-418
419	3.750	4.250	0.250	3.725	0.275	N70-419	N90-419
420	3.875	4.375	0.250	3.850	0.275	N70-420	N90-420
421	4.000	4.500	0.250	3.975	0.275	N70-421	N90-421
422	4.125	4.625	0.250	4.100	0.275	N70-422	N90-422
423	4.250	4.750	0.250	4.225	0.275	N70-423	N90-423
424	4.375	4.875	0.250	4.350	0.275	N70-424	N90-424
425	4.500	5.000	0.250	4.475	0.275	N70-425	N90-425
426	4.625	5.125	0.250	4.600	0.275	N70-426	N90-426
427	4.750	5.250	0.250	4.725	0.275	N70-427	N90-427
428	4.875	5.375	0.250	4.850	0.275	N70-428	N90-428
429	5.000	5.500	0.250	4.975	0.275	N70-429	N90-429
430	5.125	5.625	0.250	5.100	0.275	N70-430	N90-430
431	5.250	5.750	0.250	5.225	0.275	N70-431	N90-431
432	5.375	5.875	0.250	5.350	0.275	N70-432	N90-432
433	5.500	6.000	0.250	5.475	0.275	N70-433	N90-433
434	5.625	6.125	0.250	5.600	0.275	N70-434	N90-434
435	5.750	6.250	0.250	5.725	0.275	N70-435	N90-435
436	5.875	6.375	0.250	5.850	0.275	N70-436	N90-436
437	6.000	6.500	0.250	5.975	0.275	N70-437	N90-437
438	6.250	6.750	0.250	6.225	0.275	N70-438	N90-438
439	6.500	7.000	0.250	6.475	0.275	N70-439	N90-439
440	6.750	7.250	0.250	6.725	0.275	N70-440	N90-440
441	7.000	7.500	0.250	6.975	0.275	N70-441	N90-441
442	7.250	7.750	0.250	7.225	0.275	N70-442	N90-442
443	7.500	8.000	0.250	7.475	0.275	N70-443	N90-443
444	7.750	8.250	0.250	7.725	0.275	N70-444	N90-444
445	8.000	8.500	0.250	7.975	0.275	N70-445	N90-445
445A	8.250	8.750	0.250	8.225	0.275	N70-445A	N90-445A
446	8.500	9.000	0.250	8.475	0.275	N70-446	N90-446



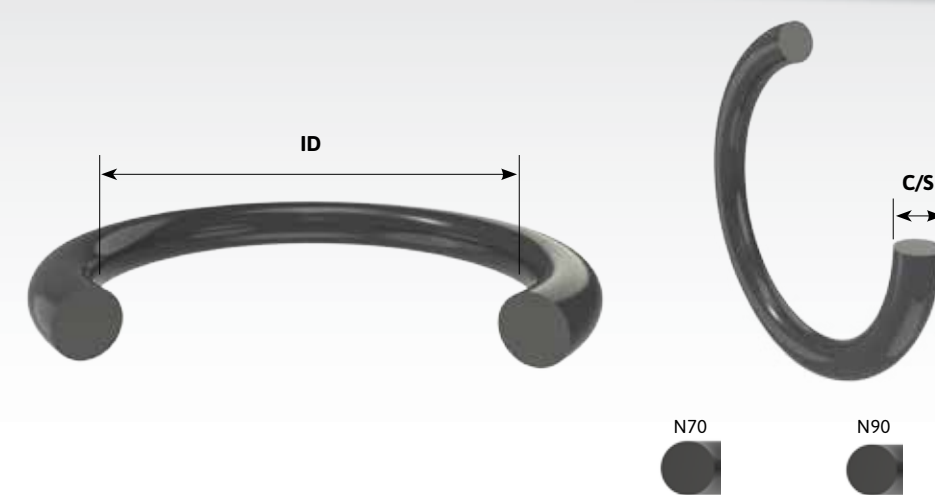
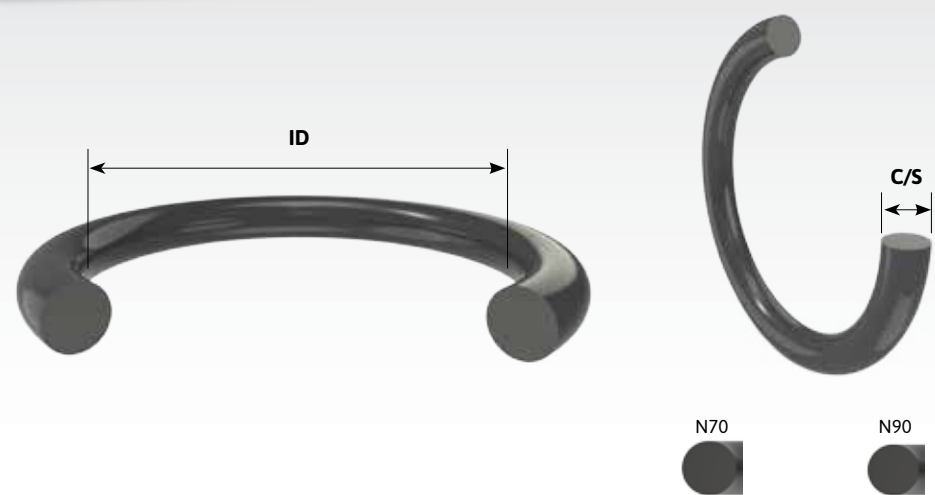
NITRILE 70 DURO **NITRILE 90 DURO**

BS REF	NOMINAL			ACTUAL		PART N ^o	PART N ^o
	ID	OD	C/S	ID	C/S		
446A	8.750	9.250	0.250	8.725	0.275	N70-446A	N90-446A
447	9.000	9.500	0.250	8.975	0.275	N70-447	N90-447
447A	9.250	9.750	0.250	9.225	0.275	N70-447A	N90-447A
448	9.500	10.000	0.250	9.475	0.275	N70-448	N90-448
448A	9.750	10.250	0.250	9.725	0.275	N70-448A	N90-448A
449	10.000	10.500	0.250	9.975	0.275	N70-449	N90-449
449A	10.250	10.750	0.250	10.225	0.275	N70-449A	N90-449A
450	10.500	11.000	0.250	10.475	0.275	N70-450	N90-450
450A	10.750	11.250	0.250	10.725	0.275	N70-450A	N90-450A
451	11.000	11.500	0.250	10.975	0.275	N70-451	N90-451
451A	11.250	11.750	0.250	11.225	0.275	N70-451A	N90-451A
452	11.500	12.000	0.250	11.475	0.275	N70-452	N90-452
452A	11.750	12.250	0.250	11.725	0.275	N70-452A	N90-452A
453	12.000	12.500	0.250	11.975	0.275	N70-453	N90-453
453A	12.250	12.750	0.250	12.225	0.275	N70-453A	
454	12.500	13.000	0.250	12.475	0.275	N70-454	N90-454
455	13.000	13.500	0.250	12.975	0.275	N70-455	N90-455
455A	13.250	13.750	0.250	13.225	0.275	N70-455A	
456	13.500	14.000	0.250	13.475	0.275	N70-456	N90-456
457	14.000	14.500	0.250	13.975	0.275	N70-457	N90-457
458	14.500	15.000	0.250	14.475	0.275	N70-458	N90-458
459	15.000	15.500	0.250	14.975	0.275	N70-459	N90-459
460	15.500	16.000	0.250	15.475	0.275	N70-460	N90-460
461	16.000	16.500	0.250	15.955	0.275	N70-461	N90-461
462	16.500	17.000	0.250	16.455	0.275	N70-462	N90-462
463	17.000	17.500	0.250	16.955	0.275	N70-463	N90-463
464	17.500	18.000	0.250	17.455	0.275	N70-464	N90-464
465	18.000	18.500	0.250	17.955	0.275	N70-465	N90-465
466	18.500	19.000	0.250	18.455	0.275	N70-466	N90-466
467	19.000	19.500	0.250	18.955	0.275	N70-467	N90-467
468	19.500	20.000	0.250	19.455	0.275	N70-468	N90-468
469	20.000	20.500	0.250	19.955	0.275	N70-469	N90-469
470	21.000	21.500	0.250	20.955	0.275	N70-470	N90-470
471	22.000	22.500	0.250	21.955	0.275	N70-471	N90-471
472	23.000	23.500	0.250	22.940	0.275	N70-472	N90-472
473	24.000	24.500	0.250	23.940	0.275	N70-473	N90-473
474	25.000	25.500	0.250	24.940	0.275	N70-474	N90-474
475	26.000	26.500	0.250	25.940	0.275	N70-475	N90-475
517	1.438	1.564	0.063	1.428	0.070	N70-517	
519	1.563	1.689	0.063	1.553	0.070	N70-519	
532	3.120	3.246	0.063	3.110	0.070	N70-532	
534	3.370	3.496	0.063	3.360	0.070	N70-534	
536	3.620	3.746	0.063	3.610	0.070	N70-536	



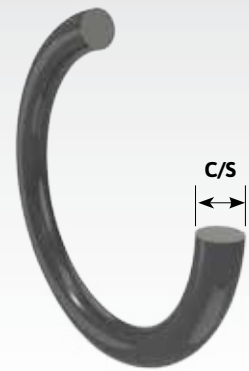
NITRILE 70 DURO **NITRILE 90 DURO**

BS REF	NOMINAL			ACTUAL		PART N ^o	PART N ^o
	ID	OD	C/S	ID	C/S		
538	3.870	3.996	0.063	3.860	0.070	N70-538	
540	4.120	4.246	0.063	4.110	0.070	N70-540	
542	4.370	4.496	0.063	4.360	0.070	N70-542	
544	4.620	4.746	0.063	4.610	0.070	N70-544	
546	4.870	4.996	0.063	4.860	0.070	N70-546	
548	5.105	5.231	0.063	5.095	0.070	N70-548	
550	5.355	5.481	0.063	5.345	0.070	N70-550	
551	5.480	5.606	0.063	5.470	0.070	N70-551	
552	5.605	5.731	0.063	5.595	0.070	N70-552	
553	5.730	5.856	0.063	5.720	0.070	N70-553	
554	5.855	5.981	0.063	5.845	0.070	N70-554	
555	5.980	6.106	0.063	5.970	0.070	N70-555	
556	6.105	6.231	0.063	6.095	0.070	N70-556	
557	6.230	6.356	0.063	6.220	0.070	N70-557	
558	6.355	6.481	0.063	6.345	0.070	N70-558	
559	6.480	6.606	0.063	6.470	0.070	N70-559	
560	6.605	6.731	0.063	6.595	0.070	N70-560	
561	6.730	6.856	0.063	6.720	0.070	N70-561	
562	6.855	6.981	0.063	6.845	0.070	N70-562	
606	0.080	0.206	0.063	0.070	0.070	N70-606	
607	0.093	0.165	0.036	0.100	0.040	N70-607	
610	0.276	0.402	0.063	0.266	0.070	N70-610	
611	0.354	0.480	0.063	0.344	0.070	N70-611	
613	0.405	0.592	0.094	0.391	0.103	N70-613	
614	0.483	0.670	0.094	0.469	0.103	N70-614	
616	0.608	0.795	0.094	0.594	0.103	N70-616	
617	0.715	0.902	0.094	0.701	0.103	N70-617	N90-617
618	1.000	1.250	0.125	1.016	0.139	N70-618	
619	2.963	3.338	0.188	2.938	0.210	N70-619	
620	3.165	3.540	0.188	3.140	0.210	N70-620	
621	3.556	3.931	0.188	3.531	0.210	N70-621	
622	3.962	4.337	0.188	3.937	0.210	N70-622	
623	4.338	4.713	0.188	4.313	0.210	N70-623	
624	4.541	5.041	0.250	4.516	0.275	N70-624	
625	4.931	5.431	0.250	4.906	0.275	N70-625	
626	5.320	5.820	0.250	5.295	0.275	N70-626	
627	6.305	6.805	0.250	6.280	0.275	N70-627	
628	6.588	7.088	0.250	6.563	0.275	N70-628	
640	2.938	3.125	0.094	2.924	0.103	N70-640	
641	3.063	3.250	0.094	3.049	0.103	N70-641	
642	3.188	3.375	0.094	3.174	0.103	N70-642	
643	3.313	3.500	0.094	3.299	0.103	N70-643	
644	6.127	6.502	0.188	6.102	0.210	N70-644	



BS REF	NOMINAL			ACTUAL		NITRILE 70 DURO PART N ^o	NITRILE 90 DURO PART N ^o
	ID	OD	C/S	ID	C/S		
645	6.375	6.750	0.188	6.350	0.210	N70-645	
646	6.627	7.002	0.188	6.602	0.210	N70-646	
647	6.875	7.250	0.188	6.850	0.210	N70-647	
802	0.197	0.323	0.063	0.187	0.070	N70-802	N90-802
803	0.260	0.386	0.063	0.250	0.070	N70-803	
804	0.322	0.448	0.063	0.312	0.070	N70-804	N90-804
807	0.514	0.701	0.094	0.500	0.103	N70-807	
809	0.639	0.826	0.094	0.625	0.103	N70-809	
810	0.701	0.888	0.094	0.687	0.103	N70-810	
812	0.826	1.013	0.094	0.812	0.103	N70-812	
813	0.889	1.076	0.094	0.875	0.103	N70-813	
814	0.951	1.138	0.094	0.937	0.103	N70-814	
824	1.547	1.797	0.125	1.563	0.139	N70-824	
825	1.609	1.859	0.125	1.625	0.139	N70-825	
826	1.671	1.921	0.125	1.687	0.139	N70-826	
827	1.734	1.984	0.125	1.750	0.139	N70-827	
828	1.796	2.046	0.125	1.812	0.139	N70-828	
829	1.859	2.109	0.125	1.875	0.139	N70-829	
830	1.921	2.171	0.125	1.937	0.139	N70-830	
831	1.984	2.234	0.125	2.000	0.139	N70-831	
832	2.046	2.296	0.125	2.062	0.139	N70-832	
833	2.109	2.359	0.125	2.125	0.139	N70-833	
834	2.171	2.421	0.125	2.187	0.139	N70-834	
835	2.234	2.484	0.125	2.250	0.139	N70-835	
836	2.296	2.546	0.125	2.312	0.139	N70-836	
837	2.359	2.609	0.125	2.375	0.139	N70-837	
838	2.421	2.671	0.125	2.437	0.139	N70-838	
839	2.484	2.734	0.125	2.500	0.139	N70-839	
840	2.547	2.797	0.125	2.563	0.139	N70-840	
841	2.609	2.859	0.125	2.625	0.139	N70-841	
842	2.734	2.984	0.125	2.750	0.139	N70-842	
843	2.796	3.046	0.125	2.812	0.139	N70-843	
844	2.796	3.046	0.125	2.812	0.139	N70-844	
845	2.859	3.109	0.125	2.875	0.139	N70-845	
846	2.921	3.171	0.125	2.937	0.139	N70-846	
860	4.650	5.025	0.188	4.625	0.210	N70-860	
861	4.775	5.150	0.188	4.750	0.210	N70-861	
862	4.900	5.275	0.188	4.875	0.210	N70-862	
863	5.025	5.400	0.188	5.000	0.210	N70-863	
864	5.150	5.525	0.188	5.125	0.210	N70-864	
865	5.275	5.650	0.188	5.250	0.210	N70-865	
866	5.400	5.775	0.188	5.375	0.210	N70-866	
867	5.525	5.900	0.188	5.500	0.210	N70-867	

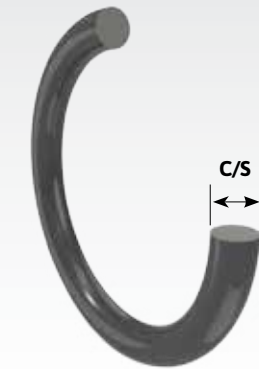
BS REF	NOMINAL			ACTUAL		NITRILE 70 DURO PART N ^o	NITRILE 90 DURO PART N ^o
	ID	OD	C/S	ID	C/S		
868	5.650	6.025	0.188	5.625	0.210	N70-868	
869	5.775	6.150	0.188	5.750	0.210	N70-869	
870	5.900	6.275	0.188	5.875	0.210	N70-870	
872	6.151	6.651	0.250	6.126	0.275	N70-872	
874	6.399	6.899	0.250	6.374	0.275	N70-874	
876	6.651	7.151	0.250	6.626	0.275	N70-876	
878	6.899	7.399	0.250	6.874	0.275	N70-878	
880	7.151	7.651	0.250	7.126	0.275	N70-880	
882	7.399	7.899	0.250	7.374	0.275	N70-882	
884	7.651	8.151	0.250	7.626	0.275	N70-884	
886	7.899	8.399	0.250	7.874	0.275	N70-886	



**NITRILE
70 DURO**

**NITRILE
90 DURO**

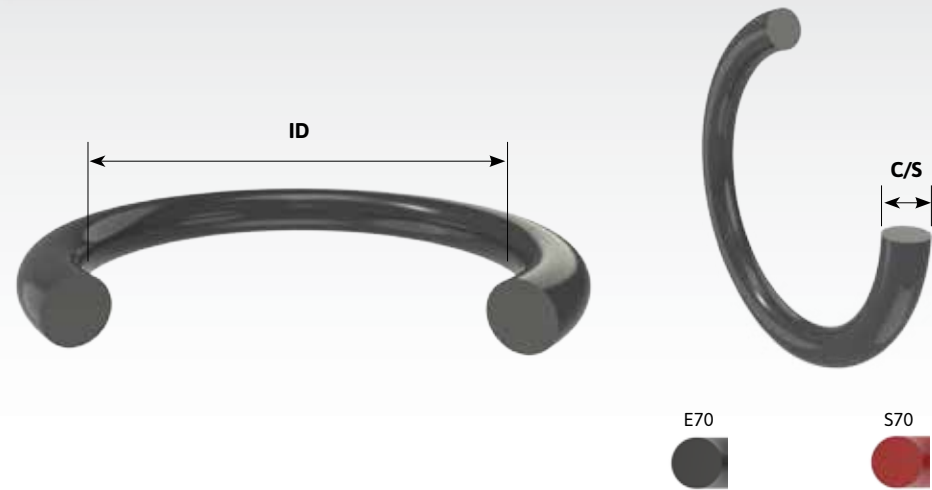
BS REF	NOMINAL		ACTUAL		REFERENCE N ^o	REFERENCE N ^o
	TUBE O.D	ID	C/S			
901	3/32	0.185	0.056			N90-901
902	1/8	0.239	0.064			N90-902
903	3/16	0.301	0.064			N90-903
904	1/4	0.351	0.072			N90-904
905	5/16	0.414	0.072			N90-905
906	3/8	0.468	0.078			N90-906
907	7/16	0.530	0.082			N90-907
908	1/2	0.644	0.087	N70-908		N90-908
909	9/16	0.706	0.097			N90-909
910	5/8	0.755	0.097			N90-910
911	1,1/16	0.863	0.116			N90-911
912	3/4	0.924	0.116			N90-912
913	1,3/16	0.986	0.116			N90-913
914	7/8	1.047	0.116			N90-914
916	1	1.171	0.116			N90-916
918	1,1/8	1.355	0.116			N90-918
920	1,1/4	1.475	0.118			N90-920
924	1,1/2	1.720	0.118			N90-924
928	1,3/4	2.090	0.118			N90-928
932	2	2.337	0.118			N90-932



**EPDM
70 DURO**

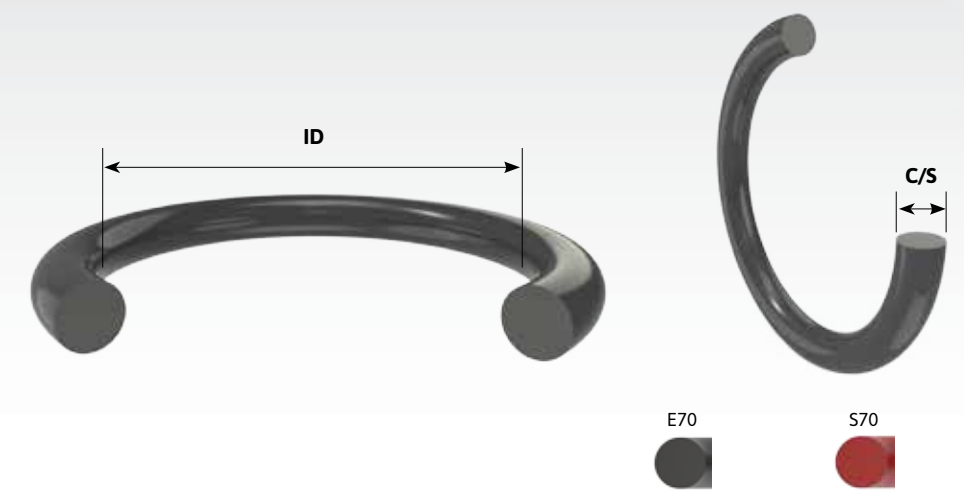
**SILICONE
70 DURO**

BS REF	NOMINAL			ACTUAL		PART N ^o	PART N ^o
	ID	OD	C/S	ID	C/S		
001	0.031	0.094	0.031	0.029	0.040	E70-001	S70-001
001.5	0.063	0.125	0.031	0.070	0.040		
002	0.047	0.141	0.047	0.042	0.050	E70-002	S70-002
003	0.063	0.188	0.063	0.056	0.060	E70-003	S70-003
004	0.078	0.203	0.063	0.070	0.070	E70-004	S70-004
005	0.094	0.219	0.063	0.101	0.070	E70-005	S70-005
006	0.125	0.250	0.063	0.114	0.070	E70-006	S70-006
007	0.156	0.281	0.063	0.145	0.070	E70-007	S70-007
008	0.188	0.313	0.063	0.176	0.070	E70-008	S70-008
009	0.219	0.344	0.063	0.208	0.070	E70-009	S70-009
010	0.250	0.375	0.063	0.239	0.070	E70-010	S70-010
011	0.313	0.438	0.063	0.301	0.070	E70-011	S70-011
012	0.375	0.500	0.063	0.364	0.070	E70-012	S70-012
013	0.438	0.563	0.063	0.426	0.070	E70-013	S70-013
014	0.500	0.625	0.063	0.489	0.070	E70-014	S70-014
015	0.562	0.687	0.063	0.551	0.070	E70-015	S70-015
016	0.625	0.750	0.063	0.614	0.070	E70-016	S70-016
017	0.687	0.812	0.063	0.676	0.070	E70-017	S70-017
018	0.750	0.875	0.063	0.739	0.070	E70-018	S70-018
019	0.812	0.937	0.063	0.801	0.070	E70-019	S70-019
020	0.875	1.000	0.063	0.864	0.070	E70-020	S70-020
021	0.938	1.063	0.063	0.926	0.070	E70-021	S70-021
022	1.000	1.125	0.063	0.989	0.070	E70-022	S70-022
023	1.063	1.188	0.063	1.051	0.070	E70-023	S70-023
024	1.125	1.250	0.063	1.114	0.070	E70-024	S70-024
025	1.188	1.313	0.063	1.176	0.070	E70-025	S70-025
026	1.250	1.375	0.063	1.239	0.070	E70-026	S70-026
027	1.313	1.438	0.063	1.301	0.070	E70-027	S70-027
028	1.375	1.500	0.063	1.364	0.070	E70-028	S70-028
029	1.500	1.625	0.063	1.489	0.070	E70-029	S70-029
030	1.625	1.750	0.063	1.614	0.070	E70-030	S70-030
031	1.750	1.875	0.063	1.739	0.070	E70-031	S70-031
032	1.875	2.000	0.063	1.864	0.070	E70-032	S70-032
033	2.000	2.125	0.063	1.989	0.070	E70-033	S70-033
034	2.125	2.250	0.063	2.114	0.070	E70-034	S70-034
035	2.250	2.375	0.063	2.239	0.070	E70-035	S70-035
036	2.375	2.500	0.063	2.364	0.070	E70-036	S70-036
037	2.500	2.625	0.063	2.489	0.070	E70-037	S70-037
038	2.625	2.750	0.063	2.614	0.070	E70-038	S70-038
039	2.750	2.875	0.063	2.739	0.070	E70-039	S70-039
040	2.875	3.000	0.063	2.864	0.070	E70-040	S70-040
041	3.000	3.125	0.063	2.989	0.070	E70-041	S70-041
042	3.250	3.375	0.063	3.239	0.070	E70-042	S70-042



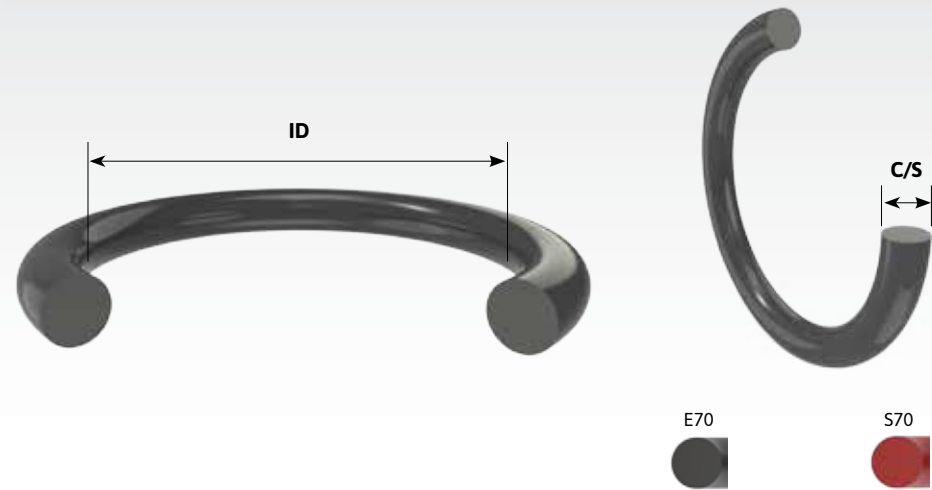
EPDM 70 DURO **SILICONE 70 DURO**

BS REF	NOMINAL			ACTUAL		PART N ^o	PART N ^o
	ID	OD	C/S	ID	C/S		
043	3.500	3.625	0.063	3.489	0.070	E70-043	S70-043
044	3.750	3.875	0.063	3.739	0.070	E70-044	S70-044
045	4.000	4.125	0.063	3.989	0.070	E70-045	S70-045
046	4.250	4.375	0.063	4.239	0.070	E70-046	S70-046
047	4.500	4.625	0.063	4.489	0.070	E70-047	S70-047
048	4.750	4.875	0.063	4.739	0.070	E70-048	S70-048
049	5.000	5.125	0.063	4.989	0.070	E70-049	S70-049
050	5.250	5.375	0.063	5.239	0.070	E70-050	S70-050
102	0.063	0.250	0.094	0.049	0.103	E70-102	S70-102
103	0.094	0.281	0.094	0.081	0.103	E70-103	S70-103
104	0.125	0.313	0.094	0.112	0.103	E70-104	S70-104
105	0.156	0.344	0.094	0.143	0.103	E70-105	S70-105
106	0.187	0.375	0.094	0.174	0.103	E70-106	S70-106
107	0.219	0.406	0.094	0.206	0.103	E70-107	S70-107
108	0.250	0.438	0.094	0.237	0.103	E70-108	S70-108
109	0.312	0.500	0.094	0.299	0.103	E70-109	S70-109
110	0.375	0.563	0.094	0.362	0.103	E70-110	S70-110
111	0.437	0.625	0.094	0.424	0.103	E70-111	S70-111
112	0.500	0.688	0.094	0.487	0.103	E70-112	S70-112
113	0.562	0.750	0.094	0.549	0.103	E70-113	S70-113
114	0.625	0.813	0.094	0.612	0.103	E70-114	S70-114
115	0.687	0.875	0.094	0.674	0.103	E70-115	S70-115
116	0.750	0.938	0.094	0.737	0.103	E70-116	S70-116
117	0.812	1.000	0.094	0.799	0.103	E70-117	S70-117
118	0.875	1.063	0.094	0.862	0.103	E70-118	S70-118
119	0.937	1.125	0.094	0.924	0.103	E70-119	S70-119
120	1.000	1.188	0.094	0.987	0.103	E70-120	S70-120
121	1.063	1.251	0.094	1.049	0.103	E70-121	S70-121
122	1.125	1.313	0.094	1.112	0.103	E70-122	S70-122
123	1.187	1.375	0.094	1.174	0.103	E70-123	S70-123
124	1.250	1.438	0.094	1.237	0.103	E70-124	S70-124
125	1.312	1.500	0.094	1.299	0.103	E70-125	S70-125
126	1.375	1.563	0.094	1.362	0.103	E70-126	S70-126
127	1.437	1.625	0.094	1.424	0.103	E70-127	S70-127
128	1.500	1.688	0.094	1.487	0.103	E70-128	S70-128
129	1.562	1.750	0.094	1.549	0.103	E70-129	S70-129
130	1.625	1.813	0.094	1.612	0.103	E70-130	S70-130
131	1.687	1.875	0.094	1.674	0.103	E70-131	S70-131
132	1.750	1.938	0.094	1.737	0.103	E70-132	S70-132
133	1.812	2.000	0.094	1.799	0.103	E70-133	S70-133
134	1.875	2.063	0.094	1.862	0.103	E70-134	S70-134
135	1.937	2.125	0.094	1.925	0.103	E70-135	S70-135



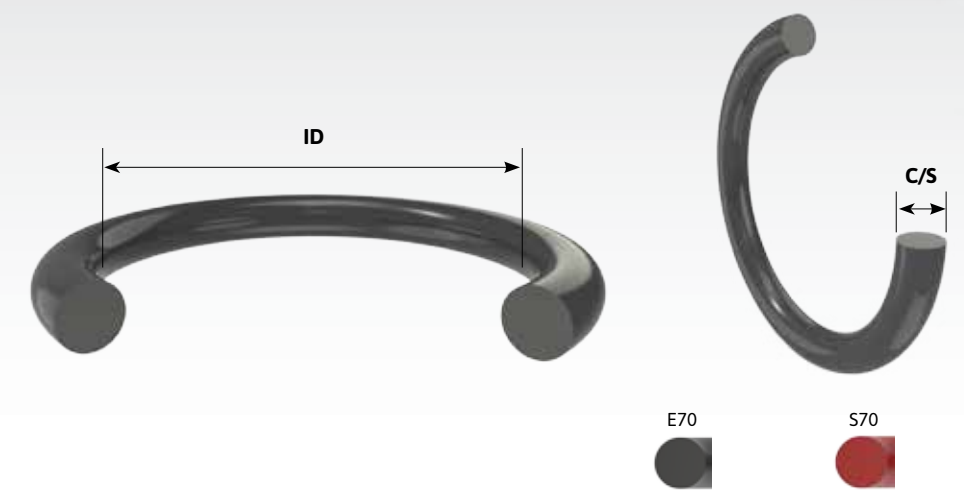
EPDM 70 DURO **SILICONE 70 DURO**

BS REF	NOMINAL			ACTUAL		PART N ^o	PART N ^o
	ID	OD	C/S	ID	C/S		
136	2.000	2.188	0.094	1.987	0.103	E70-136	S70-136
137	2.063	2.251	0.094	2.050	0.103	E70-137	S70-137
138	2.125	2.313	0.094	2.112	0.103	E70-138	S70-138
139	2.187	2.375	0.094	2.175	0.103	E70-139	S70-139
140	2.250	2.438	0.094	2.237	0.103	E70-140	S70-140
141	2.312	2.500	0.094	2.300	0.103	E70-141	S70-141
142	2.375	2.563	0.094	2.362	0.103	E70-142	S70-142
143	2.437	2.625	0.094	2.425	0.103	E70-143	S70-143
144	2.500	2.688	0.094	2.487	0.103	E70-144	S70-144
145	2.562	2.750	0.094	2.550	0.103	E70-145	S70-145
146	2.625	2.813	0.094	2.612	0.103	E70-146	S70-146
147	2.687	2.875	0.094	2.675	0.103	E70-147	S70-147
148	2.750	2.938	0.094	2.737	0.103	E70-148	S70-148
149	2.812	3.000	0.094	2.800	0.103	E70-149	S70-149
150	2.875	3.063	0.094	2.862	0.103	E70-150	S70-150
151	3.000	3.188	0.094	2.987	0.103	E70-151	S70-151
152	3.250	3.438	0.094	3.237	0.103	E70-152	S70-152
153	3.500	3.688	0.094	3.487	0.103	E70-153	S70-153
154	3.750	3.938	0.094	3.737	0.103	E70-154	S70-154
155	4.000	4.188	0.094	3.987	0.103	E70-155	S70-155
156	4.250	4.438	0.094	4.237	0.103	E70-156	S70-156
157	4.500	4.688	0.094	4.487	0.103	E70-157	S70-157
158	4.750	4.938	0.094	4.737	0.103	E70-158	S70-158
159	5.000	5.188	0.094	4.987	0.103	E70-159	S70-159
160	5.250	5.438	0.094	5.237	0.103	E70-160	S70-160
161	5.500	5.688	0.094	5.487	0.103	E70-161	S70-161
162	5.750	5.938	0.094	5.737	0.103	E70-162	S70-162
163	6.000	6.188	0.094	5.987	0.103	E70-163	S70-163
164	6.250	6.438	0.094	6.237	0.103	E70-164	S70-164
165	6.500	6.688	0.094	6.487	0.103	E70-165	S70-165
166	6.750	6.938	0.094	6.737	0.103	E70-166	S70-166
167	7.000	7.188	0.094	6.987	0.103	E70-167	S70-167
168	7.250	7.438	0.094	7.237	0.103	E70-168	S70-168
169	7.500	7.688	0.094	7.487	0.103	E70-169	S70-169
170	7.750	7.938	0.094	7.737	0.103	E70-170	S70-170
171	8.000	8.188	0.094	7.987	0.103	E70-171	S70-171
172	8.250	8.438	0.094	8.237	0.103	E70-172	S70-172
173	8.500	8.688	0.094	8.487	0.103	E70-173	S70-173
174	8.750	8.938	0.094	8.737	0.103	E70-174	S70-174
175	9.000	9.188	0.094	8.987	0.103	E70-175	S70-175
176	9.250	9.438	0.094	9.237	0.103	E70-176	S70-176
177	9.500	9.688	0.094	9.487	0.103	E70-177	S70-177



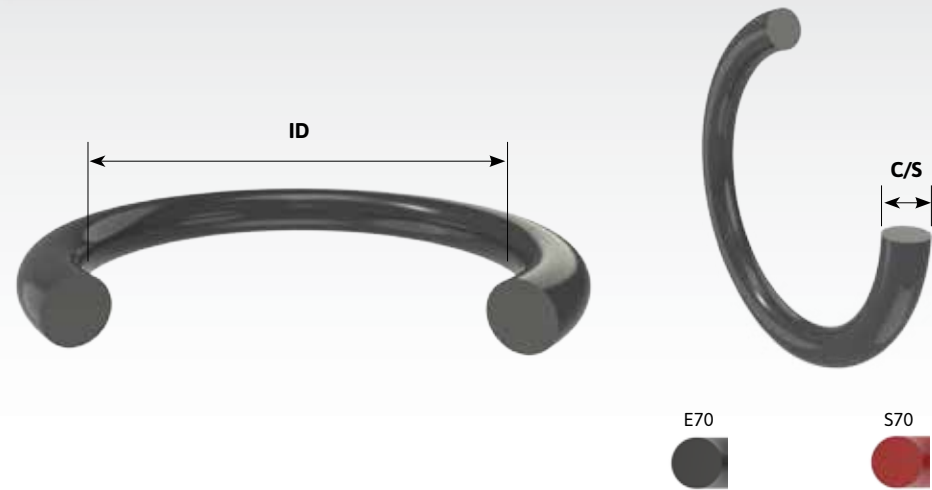
EPDM 70 DURO **SILICONE 70 DURO**

BS REF	NOMINAL			ACTUAL		PART N ^o	PART N ^o
	ID	OD	C/S	ID	C/S		
178	9.750	9.938	0.094	9.737	0.103	E70-178	S70-178
201	0.187	0.437	0.125	0.171	0.139	E70-201	S70-201
202	0.250	0.500	0.125	0.234	0.139	E70-202	S70-202
203	0.312	0.562	0.125	0.296	0.139	E70-203	S70-203
204	0.375	0.625	0.125	0.359	0.139	E70-204	S70-204
205	0.437	0.687	0.125	0.421	0.139	E70-205	S70-205
206	0.500	0.750	0.125	0.484	0.139	E70-206	S70-206
207	0.562	0.812	0.125	0.546	0.139	E70-207	S70-207
208	0.625	0.875	0.125	0.609	0.139	E70-208	S70-208
209	0.687	0.937	0.125	0.671	0.139	E70-209	S70-209
210	0.750	1.000	0.125	0.734	0.139	E70-210	S70-210
211	0.812	1.062	0.125	0.796	0.139	E70-211	S70-211
212	0.875	1.125	0.125	0.859	0.139	E70-212	S70-212
213	0.937	1.187	0.125	0.921	0.139	E70-213	S70-213
214	1.000	1.250	0.125	0.984	0.139	E70-214	S70-214
215	1.063	1.313	0.125	1.046	0.139	E70-215	S70-215
216	1.125	1.375	0.125	1.109	0.139	E70-216	S70-216
217	1.187	1.437	0.125	1.171	0.139	E70-217	S70-217
218	1.250	1.500	0.125	1.234	0.139	E70-218	S70-218
219	1.312	1.562	0.125	1.296	0.139	E70-219	S70-219
220	1.375	1.625	0.125	1.359	0.139	E70-220	S70-220
221	1.437	1.687	0.125	1.421	0.139	E70-221	S70-221
222	1.500	1.750	0.125	1.484	0.139	E70-222	S70-222
223	1.625	1.875	0.125	1.609	0.139	E70-223	S70-223
224	1.750	2.000	0.125	1.734	0.139	E70-224	S70-224
225	1.875	2.125	0.125	1.859	0.139	E70-225	S70-225
226	2.000	2.250	0.125	1.984	0.139	E70-226	S70-226
227	2.125	2.375	0.125	2.109	0.139	E70-227	S70-227
228	2.250	2.500	0.125	2.234	0.139	E70-228	S70-228
229	2.375	2.625	0.125	2.359	0.139	E70-229	S70-229
230	2.500	2.750	0.125	2.484	0.139	E70-230	S70-230
231	2.625	2.875	0.125	2.609	0.139	E70-231	S70-231
232	2.750	3.000	0.125	2.734	0.139	E70-232	S70-232
233	2.875	3.125	0.125	2.859	0.139	E70-233	S70-233
234	3.000	3.250	0.125	2.984	0.139	E70-234	S70-234
235	3.125	3.375	0.125	3.109	0.139	E70-235	S70-235
236	3.250	3.500	0.125	3.234	0.139	E70-236	S70-236
237	3.375	3.625	0.125	3.359	0.139	E70-237	S70-237
238	3.500	3.750	0.125	3.484	0.139	E70-238	S70-238
239	3.625	3.875	0.125	3.609	0.139	E70-239	S70-239
240	3.750	4.000	0.125	3.734	0.139	E70-240	S70-240
241	3.875	4.125	0.125	3.859	0.139	E70-241	S70-241



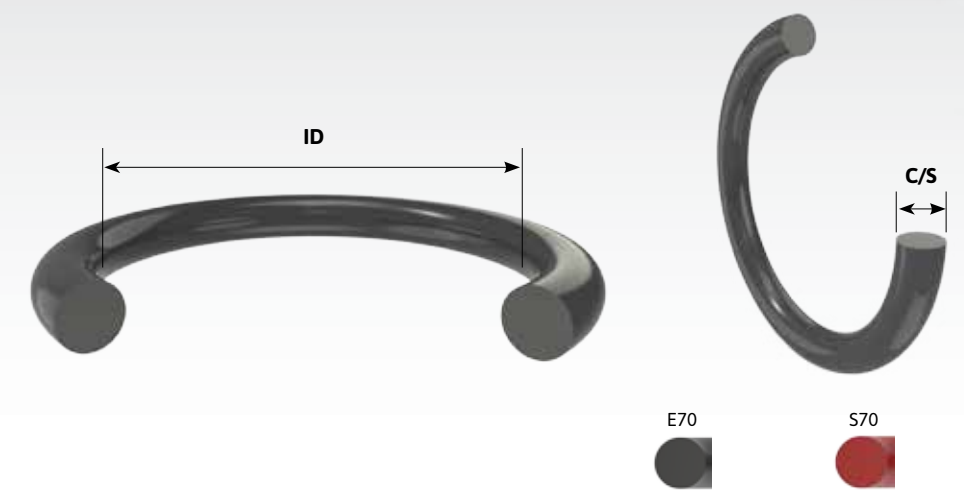
EPDM 70 DURO **SILICONE 70 DURO**

BS REF	NOMINAL			ACTUAL		PART N ^o	PART N ^o
	ID	OD	C/S	ID	C/S		
242	4.000	4.250	0.125	3.984	0.139	E70-242	S70-242
243	4.125	4.375	0.125	4.109	0.139	E70-243	S70-243
244	4.250	4.500	0.125	4.234	0.139	E70-244	S70-244
245	4.375	4.625	0.125	4.359	0.139	E70-245	S70-245
246	4.500	4.750	0.125	4.484	0.139	E70-246	S70-246
247	4.625	4.875	0.125	4.609	0.139	E70-247	S70-247
248	4.750	5.000	0.125	4.734	0.139	E70-248	S70-248
249	4.875	5.125	0.125	4.859	0.139	E70-249	S70-249
250	5.000	5.250	0.125	4.984	0.139	E70-250	S70-250
251	5.125	5.375	0.125	5.109	0.139	E70-251	S70-251
252	5.250	5.500	0.125	5.234	0.139	E70-252	S70-252
253	5.375	5.625	0.125	5.359	0.139	E70-253	S70-253
254	5.500	5.750	0.125	5.484	0.139	E70-254	S70-254
255	5.625	5.875	0.125	5.609	0.139	E70-255	S70-255
256	5.750	6.000	0.125	5.734	0.139	E70-256	S70-256
257	5.875	6.125	0.125	5.859	0.139	E70-257	S70-257
258	6.000	6.250	0.125	5.984	0.139	E70-258	S70-258
259	6.250	6.500	0.125	6.234	0.139	E70-259	S70-259
260	6.500	6.750	0.125	6.484	0.139	E70-260	S70-260
261	6.750	7.000	0.125	6.734	0.139	E70-261	S70-261
262	7.000	7.250	0.125	6.984	0.139	E70-262	S70-262
263	7.250	7.500	0.125	7.234	0.139	E70-263	S70-263
264	7.500	7.750	0.125	7.484	0.139	E70-264	S70-264
265	7.750	8.000	0.125	7.734	0.139	E70-265	S70-265
266	8.000	8.250	0.125	7.984	0.139	E70-266	S70-266
267	8.250	8.500	0.125	8.234	0.139	E70-267	S70-267
268	8.500	8.750	0.125	8.484	0.139	E70-268	S70-268
269	8.750	9.000	0.125	8.734	0.139	E70-269	S70-269
270	9.000	9.250	0.125	8.984	0.139	E70-270	S70-270
271	9.250	9.500	0.125	9.234	0.139	E70-271	S70-271
272	9.500	9.750	0.125	9.484	0.139	E70-272	S70-272
273	9.750	10.000	0.125	9.734	0.139	E70-273	S70-273
274	10.000	10.250	0.125	9.984	0.139	E70-274	S70-274
275	10.500	10.750	0.125	10.484	0.139	E70-275	S70-275
276	11.000	11.250	0.125	10.984	0.139	E70-276	S70-276
277	11.500	11.750	0.125	11.484	0.139	E70-277	S70-277
278	12.000	12.250	0.125	11.984	0.139	E70-278	S70-278
279	13.000	13.250	0.125	12.984	0.139	E70-279	S70-279
280	14.000	14.250	0.125	13.984	0.139	E70-280	S70-280
281	15.000	15.250	0.125	14.984	0.139	E70-281	S70-281
282	16.000	16.250	0.125	15.955	0.139	E70-282	S70-282
283	17.000	17.250	0.125	16.955	0.139	E70-283	S70-283



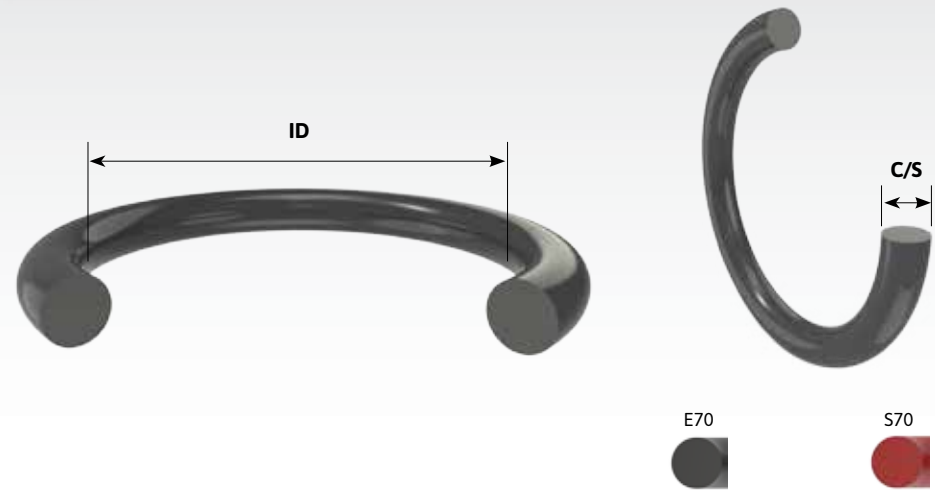
**EPDM
70 DURO** **SILICONE
70 DURO**

BS REF	NOMINAL			ACTUAL		PART N°	PART N°
	ID	OD	C/S	ID	C/S		
284	18.000	18.250	0.125	17.955	0.139	E70-284	S70-284
309	0.437	0.812	0.188	0.412	0.210	E70-309	S70-309
310	0.500	0.875	0.188	0.475	0.210	E70-310	S70-310
311	0.562	0.937	0.188	0.537	0.210	E70-311	S70-311
312	0.625	1.000	0.188	0.600	0.210	E70-312	S70-312
313	0.687	1.062	0.188	0.662	0.210	E70-313	S70-313
314	0.750	1.125	0.188	0.725	0.210	E70-314	S70-314
315	0.812	1.187	0.188	0.787	0.210	E70-315	S70-315
316	0.875	1.250	0.188	0.850	0.210	E70-316	S70-316
317	0.937	1.312	0.188	0.912	0.210	E70-317	S70-317
318	1.000	1.375	0.188	0.975	0.210	E70-318	S70-318
319	1.062	1.437	0.188	1.037	0.210	E70-319	S70-319
320	1.125	1.500	0.188	1.100	0.210	E70-320	S70-320
321	1.187	1.562	0.188	1.162	0.210	E70-321	S70-321
322	1.250	1.625	0.188	1.225	0.210	E70-322	S70-322
323	1.312	1.687	0.188	1.287	0.210	E70-323	S70-323
324	1.375	1.750	0.188	1.350	0.210	E70-324	S70-324
325	1.500	1.875	0.188	1.475	0.210	E70-325	S70-325
326	1.625	2.000	0.188	1.600	0.210	E70-326	S70-326
327	1.750	2.125	0.188	1.725	0.210	E70-327	S70-327
328	1.875	2.250	0.188	1.850	0.210	E70-328	S70-328
329	2.000	2.375	0.188	1.975	0.210	E70-329	S70-329
330	2.125	2.500	0.188	2.100	0.210	E70-330	S70-330
331	2.250	2.625	0.188	2.225	0.210	E70-331	S70-331
332	2.375	2.750	0.188	2.350	0.210	E70-332	S70-332
333	2.500	2.875	0.188	2.475	0.210	E70-333	S70-333
334	2.625	3.000	0.188	2.600	0.210	E70-334	S70-334
335	2.750	3.125	0.188	2.725	0.210	E70-335	S70-335
336	2.875	3.250	0.188	2.850	0.210	E70-336	S70-336
337	3.000	3.375	0.188	2.975	0.210	E70-337	S70-337
338	3.125	3.500	0.188	3.100	0.210	E70-338	S70-338
339	3.250	3.625	0.188	3.225	0.210	E70-339	S70-339
340	3.375	3.750	0.188	3.350	0.210	E70-340	S70-340
341	3.500	3.875	0.188	3.475	0.210	E70-341	S70-341
342	3.625	4.000	0.188	3.600	0.210	E70-342	S70-342
343	3.750	4.125	0.188	3.725	0.210	E70-343	S70-343
344	3.875	4.250	0.188	3.850	0.210	E70-344	S70-344
345	4.000	4.375	0.188	3.975	0.210	E70-345	S70-345
346	4.125	4.500	0.188	4.100	0.210	E70-346	S70-346
347	4.250	4.625	0.188	4.225	0.210	E70-347	S70-347
348	4.375	4.750	0.188	4.350	0.210	E70-348	S70-348
349	4.500	4.875	0.188	4.475	0.210	E70-349	S70-349



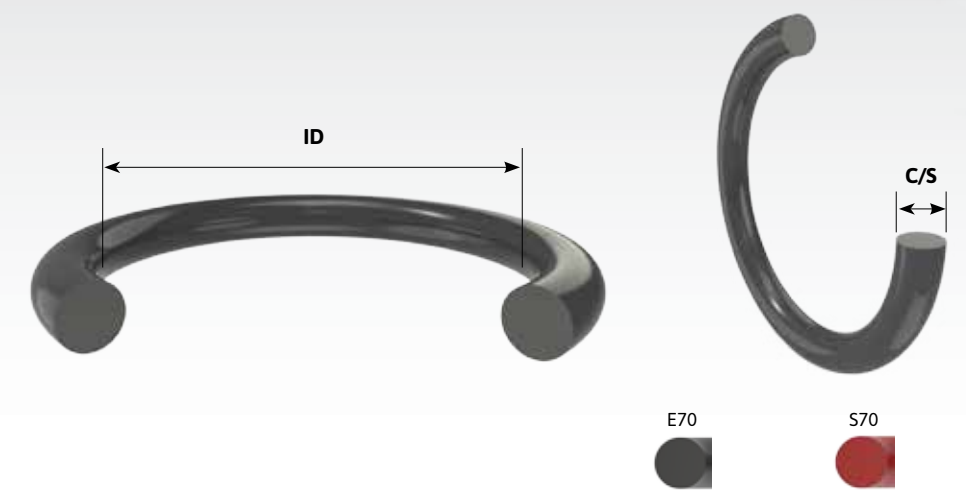
**EPDM
70 DURO** **SILICONE
70 DURO**

BS REF	NOMINAL			ACTUAL		PART N°	PART N°
	ID	OD	C/S	ID	C/S		
350	4.625	5.000	0.188	4.600	0.210	E70-350	S70-350
351	4.750	5.125	0.188	4.725	0.210	E70-351	S70-351
352	4.875	5.250	0.188	4.850	0.210	E70-352	S70-352
353	5.000	5.375	0.188	4.975	0.210	E70-353	S70-353
354	5.125	5.500	0.188	5.100	0.210	E70-354	S70-354
355	5.250	5.625	0.188	5.225	0.210	E70-355	S70-355
356	5.375	5.750	0.188	5.350	0.210	E70-356	S70-356
357	5.500	5.875	0.188	5.475	0.210	E70-357	S70-357
358	5.625	6.000	0.188	5.600	0.210	E70-358	S70-358
359	5.750	6.125	0.188	5.725	0.210	E70-359	S70-359
360	5.875	6.250	0.188	5.850	0.210	E70-360	S70-360
361	6.000	6.375	0.188	5.975	0.210	E70-361	S70-361
362	6.250	6.625	0.188	6.225	0.210	E70-362	S70-362
363	6.500	6.875	0.188	6.475	0.210	E70-363	S70-363
364	6.750	7.125	0.188	6.725	0.210	E70-364	S70-364
365	7.000	7.375	0.188	6.975	0.210	E70-365	S70-365
366	7.250	7.625	0.188	7.225	0.210	E70-366	S70-366
367	7.500	7.875	0.188	7.475	0.210	E70-367	S70-367
368	7.750	8.125	0.188	7.725	0.210	E70-368	S70-368
369	8.000	8.375	0.188	7.975	0.210	E70-369	S70-369
370	8.250	8.625	0.188	8.225	0.210	E70-370	S70-370
371	8.500	8.875	0.188	8.475	0.210	E70-371	S70-371
372	8.750	9.125	0.188	8.725	0.210	E70-372	S70-372
373	9.000	9.375	0.188	8.975	0.210	E70-373	S70-373
374	9.250	9.625	0.188	9.225	0.210	E70-374	S70-374
375	9.500	9.875	0.188	9.475	0.210	E70-375	S70-375
376	9.750	10.125	0.188	9.725	0.210	E70-376	S70-376
377	10.000	10.375	0.188	9.975	0.210	E70-377	S70-377
378	10.500	10.875	0.188	10.475	0.210	E70-378	S70-378
379	11.000	11.375	0.188	10.975	0.210	E70-379	S70-379
380	11.500	11.875	0.188	11.475	0.210	E70-380	S70-380
381	12.000	12.375	0.188	11.975	0.210	E70-381	S70-381
382	13.000	13.375	0.188	12.975	0.210	E70-382	S70-382
383	14.000	14.375	0.188	13.975	0.210	E70-383	S70-383
384	15.000	15.375	0.188	14.975	0.210	E70-384	S70-384
385	16.000	16.375	0.188	15.955	0.210	E70-385	S70-385
386	17.000	17.375	0.188	16.955	0.210	E70-386	S70-386
387	18.000	18.375	0.188	17.955	0.210	E70-387	S70-387
388	19.000	19.375	0.188	18.955	0.210	E70-388	S70-388
389	20.000	20.375	0.188	19.955	0.210	E70-389	S70-389
390	21.000	21.375	0.188	20.955	0.210	E70-390	S70-390
391	22.000	22.375	0.188	21.955	0.210	E70-391	S70-391



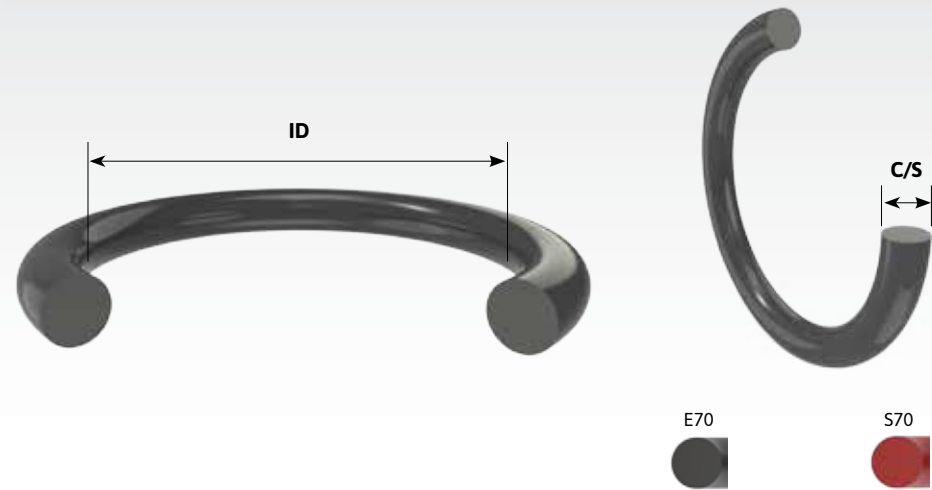
**EPDM
70 DURO** **SILICONE
70 DURO**

BS REF	NOMINAL			ACTUAL		PART N°	PART N°
	ID	OD	C/S	ID	C/S		
392	23.000	23.375	0.188	22.940	0.210	E70-392	S70-392
393	24.000	24.375	0.188	23.940	0.210	E70-393	S70-393
394	25.000	25.375	0.188	24.940	0.210	E70-394	S70-394
395	26.000	26.375	0.188	25.940	0.210	E70-395	S70-395
401	1.500	2.000	0.250	1.475	0.275	E70-401	S70-401
403	1.750	2.250	0.250	1.725	0.275	E70-403	S70-403
404	1.875	2.375	0.250	1.850	0.275	E70-404	S70-404
405	2.000	2.500	0.250	1.975	0.275	E70-405	S70-405
407	2.250	2.750	0.250	2.225	0.275	E70-407	S70-407
408	2.375	2.875	0.250	2.350	0.275	E70-408	S70-408
409	2.500	3.000	0.250	2.475	0.275	E70-409	S70-409
410	2.625	3.125	0.250	2.600	0.275	E70-410	S70-410
411	2.750	3.250	0.250	2.725	0.275	E70-411	S70-411
412	2.875	3.375	0.250	2.850	0.275	E70-412	S70-412
413	3.000	3.500	0.250	2.975	0.275	E70-413	S70-413
414	3.125	3.625	0.250	3.100	0.275	E70-414	S70-414
415	3.250	3.750	0.250	3.225	0.275	E70-415	S70-415
416	3.375	3.875	0.250	3.350	0.275	E70-416	S70-416
417	3.500	4.000	0.250	3.475	0.275	E70-417	S70-417
418	3.625	4.125	0.250	3.600	0.275	E70-418	S70-418
419	3.750	4.250	0.250	3.725	0.275	E70-419	S70-419
420	3.875	4.375	0.250	3.850	0.275	E70-420	S70-420
421	4.000	4.500	0.250	3.975	0.275	E70-421	S70-421
422	4.125	4.625	0.250	4.100	0.275	E70-422	S70-422
423	4.250	4.750	0.250	4.225	0.275	E70-423	S70-423
424	4.375	4.875	0.250	4.350	0.275	E70-424	S70-424
425	4.500	5.000	0.250	4.475	0.275	E70-425	S70-425
426	4.625	5.125	0.250	4.600	0.275	E70-426	S70-426
427	4.750	5.250	0.250	4.725	0.275	E70-427	S70-427
428	4.875	5.375	0.250	4.850	0.275	E70-428	S70-428
429	5.000	5.500	0.250	4.975	0.275	E70-429	S70-429
430	5.125	5.625	0.250	5.100	0.275	E70-430	S70-430
431	5.250	5.750	0.250	5.225	0.275	E70-431	S70-431
432	5.375	5.875	0.250	5.350	0.275	E70-432	S70-432
433	5.500	6.000	0.250	5.475	0.275	E70-433	S70-433
434	5.625	6.125	0.250	5.600	0.275	E70-434	S70-434
435	5.750	6.250	0.250	5.725	0.275	E70-435	S70-435
436	5.875	6.375	0.250	5.850	0.275	E70-436	S70-436
437	6.000	6.500	0.250	5.975	0.275	E70-437	S70-437
438	6.250	6.750	0.250	6.225	0.275	E70-438	S70-438
439	6.500	7.000	0.250	6.475	0.275	E70-439	S70-439
440	6.750	7.250	0.250	6.725	0.275	E70-440	S70-440



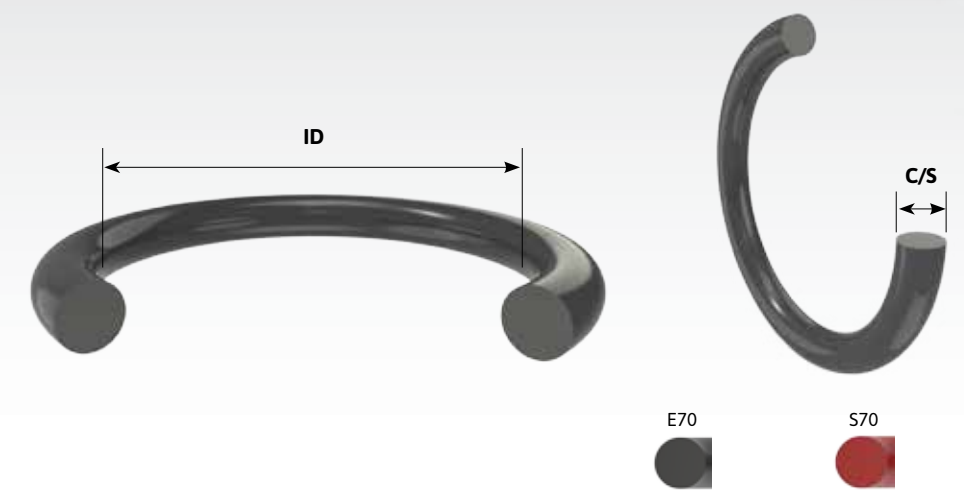
**EPDM
70 DURO** **SILICONE
70 DURO**

BS REF	NOMINAL			ACTUAL		PART N°	PART N°
	ID	OD	C/S	ID	C/S		
441	7.000	7.500	0.250	6.975	0.275	E70-441	S70-441
442	7.250	7.750	0.250	7.225	0.275	E70-442	S70-442
443	7.500	8.000	0.250	7.475	0.275	E70-443	S70-443
444	7.750	8.250	0.250	7.725	0.275	E70-444	S70-444
445	8.000	8.500	0.250	7.975	0.275	E70-445	S70-445
445A	8.250	8.750	0.250	8.225	0.275	E70-445A	S70-445A
446	8.500	9.000	0.250	8.475	0.275	E70-446	S70-446
446A	8.750	9.250	0.250	8.725	0.275	E70-446A	S70-446A
447	9.000	9.500	0.250	8.975	0.275	E70-447	S70-447
447A	9.250	9.750	0.250	9.225	0.275	E70-447A	S70-447A
448	9.500	10.000	0.250	9.475	0.275	E70-448	S70-448
448A	9.750	10.250	0.250	9.725	0.275	E70-448A	S70-448A
449	10.000	10.500	0.250	9.975	0.275	E70-449	S70-449
449A	10.250	10.750	0.250	10.225	0.275	E70-449A	S70-449A
450	10.500	11.000	0.250	10.475	0.275	E70-450	S70-450
450A	10.750	11.250	0.250	10.725	0.275	E70-450A	S70-450A
451	11.000	11.500	0.250	10.975	0.275	E70-451	S70-451
451A	11.250	11.750	0.250	11.225	0.275	E70-451A	S70-451A
452	11.500	12.000	0.250	11.475	0.275	E70-452	S70-452
452A	11.750	12.250	0.250	11.725	0.275	E70-452A	S70-452A
453	12.000	12.500	0.250	11.975	0.275	E70-453	S70-453
453A	12.250	12.750	0.250	12.225	0.275	E70-453A	S70-453A
454	12.500	13.000	0.250	12.475	0.275	E70-454	S70-454
455	13.000	13.500	0.250	12.975	0.275	E70-455	S70-455
455A	13.250	13.750	0.250	13.225	0.275	E70-455A	S70-455A
456	13.500	14.000	0.250	13.475	0.275	E70-456	S70-456
457	14.000	14.500	0.250	13.975	0.275	E70-457	S70-457
458	14.500	15.000	0.250	14.475	0.275	E70-458	S70-458
459	15.000	15.500	0.250	14.975	0.275	E70-459	S70-459
460	15.500	16.000	0.250	15.475	0.275	E70-460	S70-460
461	16.000	16.500	0.250	15.955	0.275	E70-461	S70-461
462	16.500	17.000	0.250	16.455	0.275	E70-462	S70-462
463	17.000	17.500	0.250	16.955	0.275	E70-463	S70-463
464	17.500	18.000	0.250	17.455	0.275	E70-464	S70-464
465	18.000	18.500	0.250	17.955	0.275	E70-465	S70-465
466	18.500	19.000	0.250	18.455	0.275	E70-466	S70-466
467	19.000	19.500	0.250	18.955	0.275	E70-467	S70-467
468	19.500	20.000	0.250	19.455	0.275	E70-468	S70-468
469	20.000	20.500	0.250	19.955	0.275	E70-469	S70-469
470	21.000	21.500	0.250	20.955	0.275	E70-470	S70-470
471	22.000	22.500	0.250	21.955	0.275	E70-471	S70-471
472	23.000	23.500	0.250	22.940	0.275	E70-472	S70-472



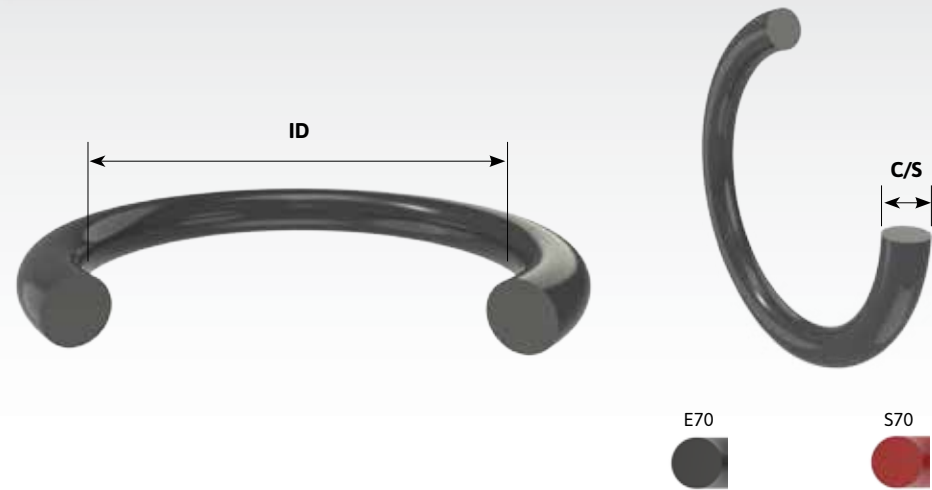
**EPDM
70 DURO** **SILICONE
70 DURO**

BS REF	NOMINAL			ACTUAL		PART N°	PART N°
	ID	OD	C/S	ID	C/S		
473	24.000	24.500	0.250	23.940	0.275	E70-473	S70-473
474	25.000	25.500	0.250	24.940	0.275	E70-474	S70-474
475	26.000	26.500	0.250	25.940	0.275	E70-475	S70-475
517	1.438	1.564	0.063	1.428	0.070	E70-517	S70-517
519	1.563	1.689	0.063	1.553	0.070	E70-519	S70-519
532	3.120	3.246	0.063	3.110	0.070	E70-532	S70-532
534	3.370	3.496	0.063	3.360	0.070	E70-534	S70-534
536	3.620	3.746	0.063	3.610	0.070	E70-536	S70-536
538	3.870	3.996	0.063	3.860	0.070	E70-538	S70-538
540	4.120	4.246	0.063	4.110	0.070	E70-540	S70-540
542	4.370	4.496	0.063	4.360	0.070	E70-542	S70-542
544	4.620	4.746	0.063	4.610	0.070	E70-544	S70-544
546	4.870	4.996	0.063	4.860	0.070	E70-546	S70-546
548	5.105	5.231	0.063	5.095	0.070	E70-548	S70-548
550	5.355	5.481	0.063	5.345	0.070	E70-550	S70-550
551	5.480	5.606	0.063	5.470	0.070	E70-551	S70-551
552	5.605	5.731	0.063	5.595	0.070	E70-552	S70-552
553	5.730	5.856	0.063	5.720	0.070	E70-553	S70-553
554	5.855	5.981	0.063	5.845	0.070	E70-554	S70-554
555	5.980	6.106	0.063	5.970	0.070	E70-555	S70-555
556	6.105	6.231	0.063	6.095	0.070	E70-556	S70-556
557	6.230	6.356	0.063	6.220	0.070	E70-557	S70-557
558	6.355	6.481	0.063	6.345	0.070	E70-558	S70-558
559	6.480	6.606	0.063	6.470	0.070	E70-559	S70-559
560	6.605	6.731	0.063	6.595	0.070	E70-560	S70-560
561	6.730	6.856	0.063	6.720	0.070	E70-561	S70-561
562	6.855	6.981	0.063	6.845	0.070	E70-562	S70-562
606	0.080	0.206	0.063	0.070	0.070	E70-606	S70-606
607	0.093	0.165	0.036	0.100	0.040	E70-607	S70-607
610	0.276	0.402	0.063	0.266	0.070	E70-610	S70-610
611	0.354	0.480	0.063	0.344	0.070	E70-611	S70-611
613	0.405	0.592	0.094	0.391	0.103	E70-613	S70-613
614	0.483	0.670	0.094	0.469	0.103	E70-614	S70-614
616	0.608	0.795	0.094	0.594	0.103	E70-616	S70-616
617	0.715	0.902	0.094	0.701	0.103	E70-617	S70-617
618	1.000	1.250	0.125	1.016	0.139	E70-618	S70-618
619	2.963	3.338	0.188	2.938	0.210	E70-619	S70-619
620	3.165	3.540	0.188	3.140	0.210	E70-620	S70-620
621	3.556	3.931	0.188	3.531	0.210	E70-621	S70-621
622	3.962	4.337	0.188	3.937	0.210	E70-622	S70-622
623	4.338	4.713	0.188	4.313	0.210	E70-623	S70-623
624	4.541	5.041	0.250	4.516	0.275	E70-624	S70-624



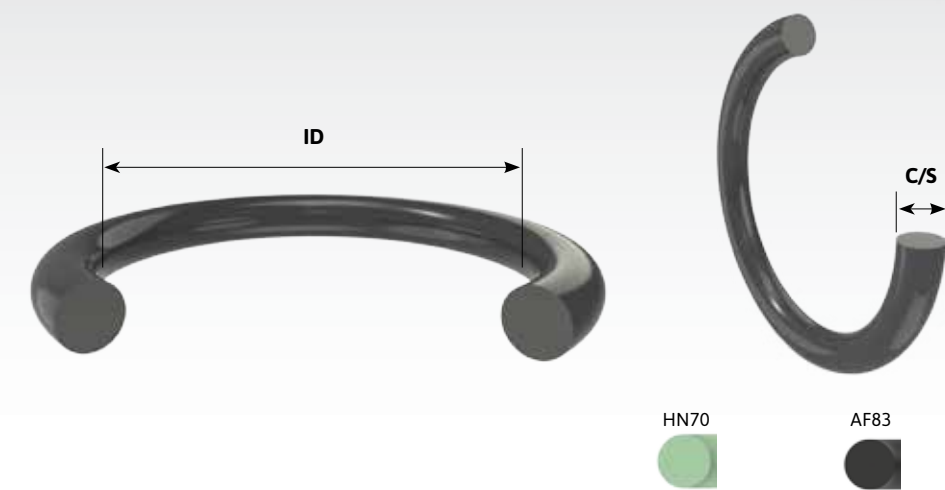
**EPDM
70 DURO** **SILICONE
70 DURO**

BS REF	NOMINAL			ACTUAL		PART N°	PART N°
	ID	OD	C/S	ID	C/S		
625	4.931	5.431	0.250	4.906	0.275	E70-625	S70-625
626	5.320	5.820	0.250	5.295	0.275	E70-626	S70-626
627	6.305	6.805	0.250	6.280	0.275	E70-627	S70-627
628	6.588	7.088	0.250	6.563	0.275	E70-628	S70-628
640	2.938	3.125	0.094	2.924	0.103	E70-640	S70-640
641	3.063	3.250	0.094	3.049	0.103	E70-641	S70-641
642	3.188	3.375	0.094	3.174	0.103	E70-642	S70-642
643	3.313	3.500	0.094	3.299	0.103	E70-643	S70-643
644	6.127	6.502	0.188	6.102	0.210	E70-644	S70-644
645	6.375	6.750	0.188	6.350	0.210	E70-645	S70-645
646	6.627	7.002	0.188	6.602	0.210	E70-646	S70-646
647	6.875	7.250	0.188	6.850	0.210	E70-647	S70-647
802	0.197	0.323	0.063	0.187	0.070	E70-802	S70-802
803	0.260	0.386	0.063	0.250	0.070	E70-803	S70-803
804	0.322	0.448	0.063	0.312	0.070	E70-804	S70-804
807	0.514	0.701	0.094	0.500	0.103	E70-807	S70-807
809	0.639	0.826	0.094	0.625	0.103	E70-809	S70-809
810	0.701	0.888	0.094	0.687	0.103	E70-810	S70-810
812	0.826	1.013	0.094	0.812	0.103	E70-812	S70-812
813	0.889	1.076	0.094	0.875	0.103	E70-813	S70-813
814	0.951	1.138	0.094	0.937	0.103	E70-814	S70-814
824	1.547	1.797	0.125	1.563	0.139	E70-824	S70-824
825	1.609	1.859	0.125	1.625	0.139	E70-825	S70-825
826	1.671	1.921	0.125	1.687	0.139	E70-826	S70-826
827	1.734	1.984	0.125	1.750	0.139	E70-827	S70-827
828	1.796	2.046	0.125	1.812	0.139	E70-828	S70-828
829	1.859	2.109	0.125	1.875	0.139	E70-829	S70-829
830	1.921	2.171	0.125	1.937	0.139	E70-830	S70-830
831	1.984	2.234	0.125	2.000	0.139	E70-831	S70-831
832	2.046	2.296	0.125	2.062	0.139	E70-832	S70-832
833	2.109	2.359	0.125	2.125	0.139	E70-833	S70-833
834	2.171	2.421	0.125	2.187	0.139	E70-834	S70-834
835	2.234	2.484	0.125	2.250	0.139	E70-835	S70-835
836	2.296	2.546	0.125	2.312	0.139	E70-836	S70-836
837	2.359	2.609	0.125	2.375	0.139	E70-837	S70-837
838	2.421	2.671	0.125	2.437	0.139	E70-838	S70-838
839	2.484	2.734	0.125	2.500	0.139	E70-839	S70-839
840	2.547	2.797	0.125	2.563	0.139	E70-840	S70-840
841	2.609	2.859	0.125	2.625	0.139	E70-841	S70-841
842	2.734	2.984	0.125	2.750	0.139	E70-842	S70-842
843	2.796	3.046	0.125	2.812	0.139	E70-843	S70-843
844	2.796	3.046	0.125	2.812	0.139	E70-844	S70-844



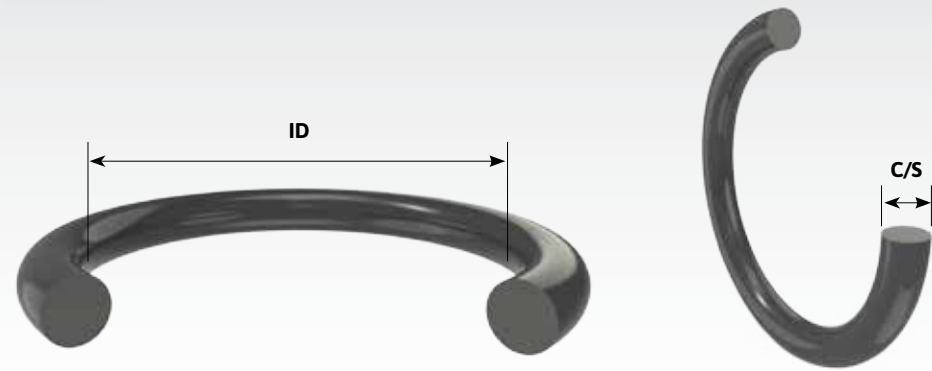
EPDM 70 DURO **SILICONE 70 DURO**

BS REF	NOMINAL			ACTUAL		PART N°	PART N°
	ID	OD	C/S	ID	C/S		
845	2.859	3.109	0.125	2.875	0.139	E70-845	S70-845
846	2.921	3.171	0.125	2.937	0.139	E70-846	S70-846
860	4.650	5.025	0.188	4.625	0.210	E70-860	S70-860
861	4.775	5.150	0.188	4.750	0.210	E70-861	S70-861
862	4.900	5.275	0.188	4.875	0.210	E70-862	S70-862
863	5.025	5.400	0.188	5.000	0.210	E70-863	S70-863
864	5.150	5.525	0.188	5.125	0.210	E70-864	S70-864
865	5.275	5.650	0.188	5.250	0.210	E70-865	S70-865
866	5.400	5.775	0.188	5.375	0.210	E70-866	S70-866
867	5.525	5.900	0.188	5.500	0.210	E70-867	S70-867
868	5.650	6.025	0.188	5.625	0.210	E70-868	S70-868
869	5.775	6.150	0.188	5.750	0.210	E70-869	S70-869
870	5.900	6.275	0.188	5.875	0.210	E70-870	S70-870
872	6.151	6.651	0.250	6.126	0.275	E70-872	S70-872
874	6.399	6.899	0.250	6.374	0.275	E70-874	S70-874
876	6.651	7.151	0.250	6.626	0.275	E70-876	S70-876
878	6.899	7.399	0.250	6.874	0.275	E70-878	S70-878
880	7.151	7.651	0.250	7.126	0.275	E70-880	S70-880
882	7.399	7.899	0.250	7.374	0.275	E70-882	S70-882
884	7.651	8.151	0.250	7.626	0.275	E70-884	S70-884
886	7.899	8.399	0.250	7.874	0.275	E70-886	S70-886



HNBR 70 DURO **AFLAS 83 DURO**

BS REF	NOMINAL			ACTUAL		PART N°	PART N°
	ID	OD	C/S	ID	C/S		
005	0.094	0.219	0.063	0.101	0.070		AF83-005
006	0.125	0.250	0.063	0.114	0.070	HN70-006	AF83-006
007	0.156	0.281	0.063	0.145	0.070	HN70-007	AF83-007
008	0.188	0.313	0.063	0.176	0.070	HN70-008	AF83-008
009	0.219	0.344	0.063	0.208	0.070	HN70-009	AF83-009
010	0.250	0.375	0.063	0.239	0.070	HN70-010	AF83-010
011	0.313	0.438	0.063	0.301	0.070	HN70-011	AF83-011
012	0.375	0.500	0.063	0.364	0.070	HN70-012	AF83-012
013	0.438	0.563	0.063	0.426	0.070	HN70-013	AF83-013
014	0.500	0.625	0.063	0.489	0.070	HN70-014	AF83-014
015	0.562	0.687	0.063	0.551	0.070	HN70-015	AF83-015
016	0.625	0.750	0.063	0.614	0.070	HN70-016	AF83-016
017	0.687	0.812	0.063	0.676	0.070	HN70-017	AF83-017
018	0.750	0.875	0.063	0.739	0.070	HN70-018	AF83-018
019	0.812	0.937	0.063	0.801	0.070		AF83-019
020	0.875	1.000	0.063	0.864	0.070		AF83-020
021	0.938	1.063	0.063	0.926	0.070		AF83-021
022	1.000	1.125	0.063	0.989	0.070	HN70-022	AF83-022
023	1.063	1.188	0.063	1.051	0.070		AF83-023
024	1.125	1.250	0.063	1.114	0.070		AF83-024
025	1.188	1.313	0.063	1.176	0.070		AF83-025
026	1.250	1.375	0.063	1.239	0.070		AF83-026
027	1.313	1.438	0.063	1.301	0.070		AF83-027
028	1.375	1.500	0.063	1.364	0.070		AF83-028
029	1.500	1.625	0.063	1.489	0.070		AF83-029
030	1.625	1.750	0.063	1.614	0.070		AF83-030
031	1.750	1.875	0.063	1.739	0.070		AF83-031
032	1.875	2.000	0.063	1.864	0.070		AF83-032
033	2.000	2.125	0.063	1.989	0.070		AF83-033
034	2.125	2.250	0.063	2.114	0.070		AF83-034
035	2.250	2.375	0.063	2.239	0.070		AF83-035
036	2.375	2.500	0.063	2.364	0.070		AF83-036
037	2.500	2.625	0.063	2.489	0.070		AF83-037
038	2.625	2.750	0.063	2.614	0.070		AF83-038
039	2.750	2.875	0.063	2.739	0.070		AF83-039
040	2.875	3.000	0.063	2.864	0.070		AF83-040
041	3.000	3.125	0.063	2.989	0.070		AF83-041
042	3.250	3.375	0.063	3.239	0.070	HN70-042	AF83-042
043	3.500	3.625	0.063	3.489	0.070		AF83-043
044	3.750	3.875	0.063	3.739	0.070		AF83-044
045	4.000	4.125	0.063	3.989	0.070		AF83-045
046	4.250	4.375	0.063	4.239	0.070		AF83-046
047	4.500	4.625	0.063	4.489	0.070		AF83-047



HN70



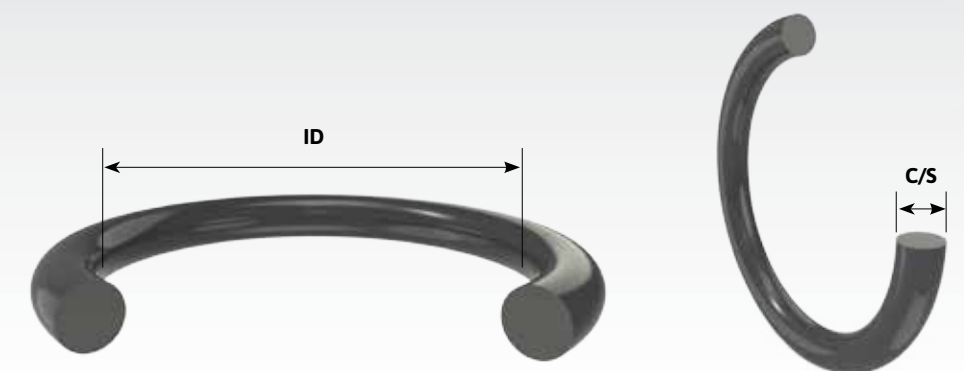
AF83



**HNBR
70 DURO**

**AFLAS
83 DURO**

BS REF	NOMINAL			ACTUAL		PART N°	PART N°
	ID	OD	C/S	ID	C/S		
048	4.750	4.875	0.063	4.739	0.070		AF83-048
049	5.000	5.125	0.063	4.989	0.070		AF83-049
050	5.250	5.375	0.063	5.239	0.070		AF83-050
106	0.187	0.375	0.094	0.174	0.103		AF83-106
107	0.219	0.406	0.094	0.206	0.103		AF83-107
108	0.250	0.438	0.094	0.237	0.103	HN70-108	AF83-108
109	0.312	0.500	0.094	0.299	0.103		AF83-109
110	0.375	0.563	0.094	0.362	0.103	HN70-110	AF83-110
111	0.437	0.625	0.094	0.424	0.103	HN70-111	AF83-111
112	0.500	0.688	0.094	0.487	0.103	HN70-112	AF83-112
113	0.562	0.750	0.094	0.549	0.103	HN70-113	AF83-113
114	0.625	0.813	0.094	0.612	0.103	HN70-114	AF83-114
115	0.687	0.875	0.094	0.674	0.103	HN70-115	AF83-115
116	0.750	0.938	0.094	0.737	0.103	HN70-116	AF83-116
117	0.812	1.000	0.094	0.799	0.103	HN70-117	AF83-117
118	0.875	1.063	0.094	0.862	0.103	HN70-118	AF83-118
119	0.937	1.125	0.094	0.924	0.103		AF83-119
120	1.000	1.188	0.094	0.987	0.103		AF83-120
121	1.063	1.251	0.094	1.049	0.103		AF83-121
122	1.125	1.313	0.094	1.112	0.103		AF83-122
123	1.187	1.375	0.094	1.174	0.103		AF83-123
124	1.250	1.438	0.094	1.237	0.103		AF83-124
125	1.312	1.500	0.094	1.299	0.103		AF83-125
126	1.375	1.563	0.094	1.362	0.103		AF83-126
127	1.437	1.625	0.094	1.424	0.103	HN70-127	AF83-127
128	1.500	1.688	0.094	1.487	0.103		AF83-128
129	1.562	1.750	0.094	1.549	0.103		AF83-129
130	1.625	1.813	0.094	1.612	0.103		AF83-130
131	1.687	1.875	0.094	1.674	0.103		AF83-131
132	1.750	1.938	0.094	1.737	0.103		AF83-132
133	1.812	2.000	0.094	1.799	0.103		AF83-133
134	1.875	2.063	0.094	1.862	0.103		AF83-134
135	1.937	2.125	0.094	1.925	0.103		AF83-135
136	2.000	2.188	0.094	1.987	0.103		AF83-136
137	2.063	2.251	0.094	2.050	0.103		AF83-137
138	2.125	2.313	0.094	2.112	0.103	HN70-138	AF83-138
139	2.187	2.375	0.094	2.175	0.103		AF83-139
140	2.250	2.438	0.094	2.237	0.103		AF83-140
141	2.312	2.500	0.094	2.300	0.103		AF83-141
142	2.375	2.563	0.094	2.362	0.103	HN70-142	AF83-142
143	2.437	2.625	0.094	2.425	0.103		AF83-143
144	2.500	2.688	0.094	2.487	0.103	HN70-144	AF83-144
145	2.562	2.750	0.094	2.550	0.103		AF83-145



HN70



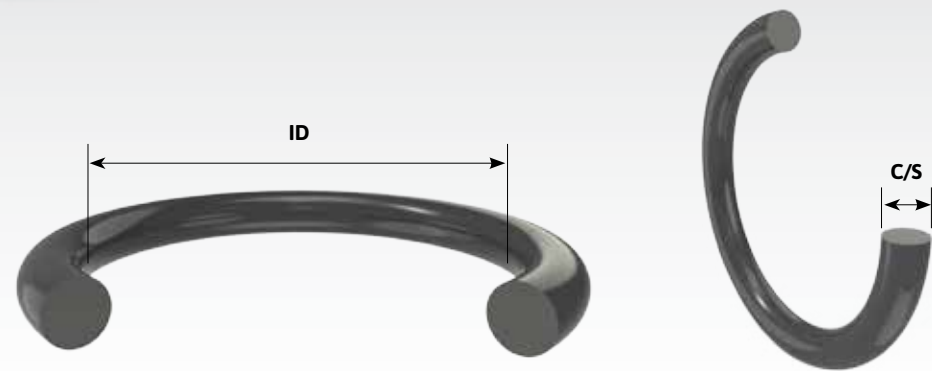
AF83



**HNBR
70 DURO**

**AFLAS
83 DURO**

BS REF	NOMINAL			ACTUAL		PART N°	PART N°
	ID	OD	C/S	ID	C/S		
146	2.625	2.813	0.094	2.612	0.103		AF83-146
147	2.687	2.875	0.094	2.675	0.103		AF83-147
148	2.750	2.938	0.094	2.737	0.103		AF83-148
149	2.812	3.000	0.094	2.800	0.103		AF83-149
150	2.875	3.063	0.094	2.862	0.103		AF83-150
151	3.000	3.188	0.094	2.987	0.103		AF83-151
152	3.250	3.438	0.094	3.237	0.103	HN70-152	AF83-152
153	3.500	3.688	0.094	3.487	0.103		AF83-153
154	3.750	3.938	0.094	3.737	0.103		AF83-154
155	4.000	4.188	0.094	3.987	0.103		AF83-155
156	4.250	4.438	0.094	4.237	0.103	HN70-156	AF83-156
157	4.500	4.688	0.094	4.487	0.103		AF83-157
158	4.750	4.938	0.094	4.737	0.103		AF83-158
159	5.000	5.188	0.094	4.987	0.103		AF83-159
160	5.250	5.438	0.094	5.237	0.103		AF83-160
161	5.500	5.688	0.094	5.487	0.103		AF83-161
162	5.750	5.938	0.094	5.737	0.103		AF83-162
163	6.000	6.188	0.094	5.987	0.103		AF83-163
164	6.250	6.438	0.094	6.237	0.103		AF83-164
165	6.500	6.688	0.094	6.487	0.103		AF83-165
166	6.750	6.938	0.094	6.737	0.103		AF83-166
167	7.000	7.188	0.094	6.987	0.103		AF83-167
168	7.250	7.438	0.094	7.237	0.103		AF83-168
169	7.500	7.688	0.094	7.487	0.103		AF83-169
170	7.750	7.938	0.094	7.737	0.103		AF83-170
171	8.000	8.188	0.094	7.987	0.103		AF83-171
172	8.250	8.438	0.094	8.237	0.103		AF83-172
173	8.500	8.688	0.094	8.487	0.103		AF83-173
174	8.750	8.938	0.094	8.737	0.103		AF83-174
175	9.000	9.188	0.094	8.987	0.103		AF83-175
176	9.250	9.438	0.094	9.237	0.103		AF83-176
177	9.500	9.688	0.094	9.487	0.103		AF83-177
178	9.750	9.938	0.094	9.737	0.103		AF83-178
201	0.187	0.437	0.125	0.171	0.139		AF83-201
202	0.250	0.500	0.125	0.234	0.139		AF83-202
203	0.312	0.562	0.125	0.296	0.139		AF83-203
204	0.375	0.625	0.125	0.359	0.139		AF83-204
205	0.437	0.687	0.125	0.421	0.139		AF83-205
206	0.500	0.750	0.125	0.484	0.139	HN80-206	AF83-206
207	0.562	0.812	0.125	0.546	0.139		AF83-207
208	0.625	0.875	0.125	0.609	0.139		AF83-208
209	0.687	0.937	0.125	0.671	0.139		AF83-209
210	0.750	1.000	0.125	0.734	0.139		AF83-210



HN70



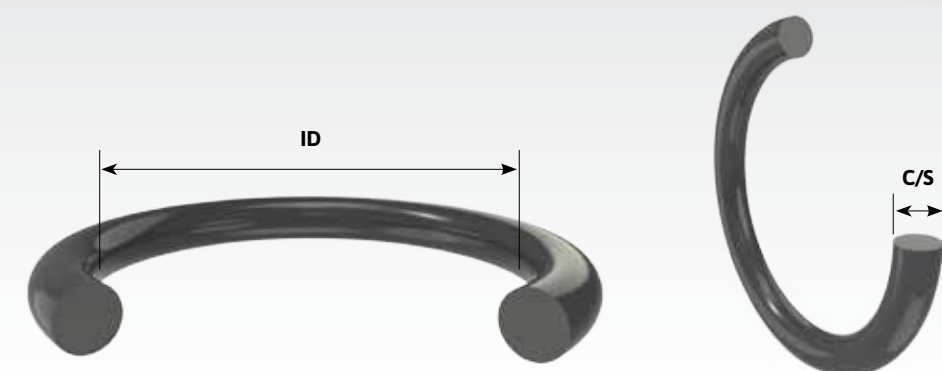
AF83



**HNBR
70 DURO**

**AFLAS
83 DURO**

BS REF	NOMINAL			ACTUAL		PART N°	PART N°
	ID	OD	C/S	ID	C/S		
211	0.812	1.062	0.125	0.796	0.139	HN70-211	AF83-211
212	0.875	1.125	0.125	0.859	0.139	HN70-212	AF83-212
213	0.937	1.187	0.125	0.921	0.139		AF83-213
214	1.000	1.250	0.125	0.984	0.139		AF83-214
215	1.063	1.313	0.125	1.046	0.139		AF83-215
216	1.125	1.375	0.125	1.109	0.139	HN70-216	AF83-216
217	1.187	1.437	0.125	1.171	0.139		AF83-217
218	1.250	1.500	0.125	1.234	0.139		AF83-218
219	1.312	1.562	0.125	1.296	0.139		AF83-219
220	1.375	1.625	0.125	1.359	0.139		AF83-220
221	1.437	1.687	0.125	1.421	0.139	HN70-221	AF83-221
222	1.500	1.750	0.125	1.484	0.139	HN70-222	AF83-222
223	1.625	1.875	0.125	1.609	0.139		AF83-223
224	1.750	2.000	0.125	1.734	0.139		AF83-224
225	1.875	2.125	0.125	1.859	0.139	HN70-225	AF83-225
226	2.000	2.250	0.125	1.984	0.139		AF83-226
227	2.125	2.375	0.125	2.109	0.139		AF83-227
228	2.250	2.500	0.125	2.234	0.139	HN70-228	AF83-228
229	2.375	2.625	0.125	2.359	0.139		AF83-229
230	2.500	2.750	0.125	2.484	0.139		AF83-230
231	2.625	2.875	0.125	2.609	0.139		AF83-231
232	2.750	3.000	0.125	2.734	0.139		AF83-232
233	2.875	3.125	0.125	2.859	0.139		AF83-233
234	3.000	3.250	0.125	2.984	0.139		AF83-234
235	3.125	3.375	0.125	3.109	0.139		AF83-235
236	3.250	3.500	0.125	3.234	0.139		AF83-236
237	3.375	3.625	0.125	3.359	0.139		AF83-237
238	3.500	3.750	0.125	3.484	0.139		AF83-238
239	3.625	3.875	0.125	3.609	0.139	HN70-239	AF83-239
240	3.750	4.000	0.125	3.734	0.139		AF83-240
241	3.875	4.125	0.125	3.859	0.139	HN80-241	AF83-241
242	4.000	4.250	0.125	3.984	0.139		AF83-242
243	4.125	4.375	0.125	4.109	0.139		AF83-243
244	4.250	4.500	0.125	4.234	0.139		AF83-244
245	4.375	4.625	0.125	4.359	0.139		AF83-245
246	4.500	4.750	0.125	4.484	0.139		AF83-246
247	4.625	4.875	0.125	4.609	0.139		AF83-247
248	4.750	5.000	0.125	4.734	0.139		AF83-248
249	4.875	5.125	0.125	4.859	0.139	HN70-249	AF83-249
250	5.000	5.250	0.125	4.984	0.139		AF83-250
251	5.125	5.375	0.125	5.109	0.139		AF83-251
252	5.250	5.500	0.125	5.234	0.139		AF83-252



HN70



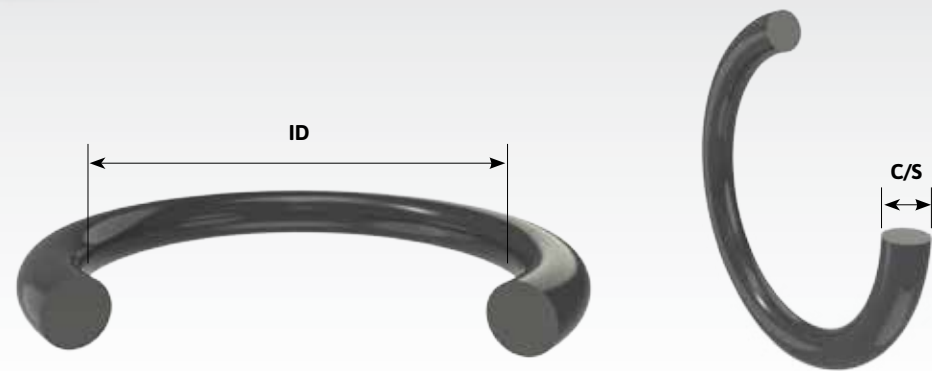
AF83



**HNBR
70 DURO**

**AFLAS
83 DURO**

BS REF	NOMINAL			ACTUAL		PART N°	PART N°
	ID	OD	C/S	ID	C/S		
253	5.375	5.625	0.125	5.359	0.139		AF83-253
254	5.500	5.750	0.125	5.484	0.139		AF83-254
255	5.625	5.875	0.125	5.609	0.139	HN70-255	AF83-255
256	5.750	6.000	0.125	5.734	0.139		AF83-256
257	5.875	6.125	0.125	5.859	0.139		AF83-257
258	6.000	6.250	0.125	5.984	0.139		AF83-258
259	6.250	6.500	0.125	6.234	0.139		AF83-259
260	6.500	6.750	0.125	6.484	0.139		AF83-260
261	6.750	7.000	0.125	6.734	0.139		AF83-261
262	7.000	7.250	0.125	6.984	0.139		AF83-262
263	7.250	7.500	0.125	7.234	0.139		AF83-263
264	7.500	7.750	0.125	7.484	0.139		AF83-264
265	7.750	8.000	0.125	7.734	0.139		AF83-265
266	8.000	8.250	0.125	7.984	0.139		AF83-266
267	8.250	8.500	0.125	8.234	0.139		AF83-267
268	8.500	8.750	0.125	8.484	0.139		AF83-268
269	8.750	9.000	0.125	8.734	0.139		AF83-269
270	9.000	9.250	0.125	8.984	0.139		AF83-270
271	9.250	9.500	0.125	9.234	0.139		AF83-271
272	9.500	9.750	0.125	9.484	0.139		AF83-272
273	9.750	10.000	0.125	9.734	0.139		AF83-273
274	10.000	10.250	0.125	9.984	0.139		AF83-274
275	10.500	10.750	0.125	10.484	0.139		AF83-275
276	11.000	11.250	0.125	10.984	0.139		AF83-276
277	11.500	11.750	0.125	11.484	0.139		AF83-277
278	12.000	12.250	0.125	11.984	0.139		AF83-278
279	13.000	13.250	0.125	12.984	0.139		AF83-279
280	14.000	14.250	0.125	13.984	0.139		AF83-280
281	15.000	15.250	0.125	14.984	0.139		AF83-281
282	16.000	16.250	0.125	15.955	0.139		AF83-282
314	0.750	1.125	0.188	0.725	0.210		AF83-314
315	0.812	1.187	0.188	0.787	0.210		AF83-315
316	0.875	1.250	0.188	0.850	0.210		AF83-316
317	0.937	1.312	0.188	0.912	0.210		AF83-317
318	1.000	1.375	0.188	0.975	0.210		AF83-318
319	1.062	1.437	0.188	1.037	0.210		AF83-319
320	1.125	1.500	0.188	1.100	0.210		AF83-320
321	1.187	1.562	0.188	1.162	0.210		AF83-321
322	1.250	1.625	0.188	1.225	0.210		AF83-322
323	1.312	1.687	0.188	1.287	0.210		AF83-323
324	1.375	1.750	0.188	1.350	0.210		AF83-324
325	1.500	1.875	0.188	1.475	0.210		AF83-325



HN70



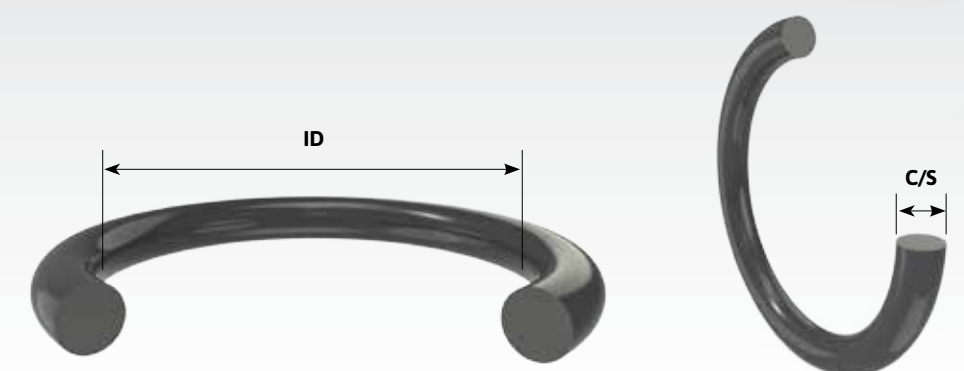
AF83



**HNBR
70 DURO**

**AFLAS
83 DURO**

BS REF	NOMINAL			ACTUAL		PART N°	PART N°
	ID	OD	C/S	ID	C/S		
326	1.625	2.000	0.188	1.600	0.210		AF83-326
327	1.750	2.125	0.188	1.725	0.210	HN70-327	AF83-327
328	1.875	2.250	0.188	1.850	0.210		AF83-328
329	2.000	2.375	0.188	1.975	0.210		AF83-329
330	2.125	2.500	0.188	2.100	0.210		AF83-330
331	2.250	2.625	0.188	2.225	0.210		AF83-331
332	2.375	2.750	0.188	2.350	0.210		AF83-332
333	2.500	2.875	0.188	2.475	0.210		AF83-333
334	2.625	3.000	0.188	2.600	0.210		AF83-334
335	2.750	3.125	0.188	2.725	0.210	HN70-335	AF83-335
336	2.875	3.250	0.188	2.850	0.210	HN70-336	AF83-336
337	3.000	3.375	0.188	2.975	0.210		AF83-337
338	3.125	3.500	0.188	3.100	0.210		AF83-338
339	3.250	3.625	0.188	3.225	0.210		AF83-339
340	3.375	3.750	0.188	3.350	0.210		AF83-340
341	3.500	3.875	0.188	3.475	0.210		AF83-341
342	3.625	4.000	0.188	3.600	0.210		AF83-342
343	3.750	4.125	0.188	3.725	0.210		AF83-343
344	3.875	4.250	0.188	3.850	0.210		AF83-344
345	4.000	4.375	0.188	3.975	0.210		AF83-345
346	4.125	4.500	0.188	4.100	0.210		AF83-346
347	4.250	4.625	0.188	4.225	0.210		AF83-347
348	4.375	4.750	0.188	4.350	0.210		AF83-348
349	4.500	4.875	0.188	4.475	0.210		AF83-349
350	4.625	5.000	0.188	4.600	0.210		AF83-350
351	4.750	5.125	0.188	4.725	0.210		AF83-351
352	4.875	5.250	0.188	4.850	0.210		AF83-352
353	5.000	5.375	0.188	4.975	0.210		AF83-353
354	5.125	5.500	0.188	5.100	0.210		AF83-354
355	5.250	5.625	0.188	5.225	0.210		AF83-355
356	5.375	5.750	0.188	5.350	0.210		AF83-356
357	5.500	5.875	0.188	5.475	0.210		AF83-357
358	5.625	6.000	0.188	5.600	0.210		AF83-358
359	5.750	6.125	0.188	5.725	0.210		AF83-359
360	5.875	6.250	0.188	5.850	0.210		AF83-360
361	6.000	6.375	0.188	5.975	0.210		AF83-361
362	6.250	6.625	0.188	6.225	0.210		AF83-362
363	6.500	6.875	0.188	6.475	0.210		AF83-363
364	6.750	7.125	0.188	6.725	0.210		AF83-364
365	7.000	7.375	0.188	6.975	0.210		AF83-365
366	7.250	7.625	0.188	7.225	0.210		AF83-366
367	7.500	7.875	0.188	7.475	0.210		AF83-367



HN70



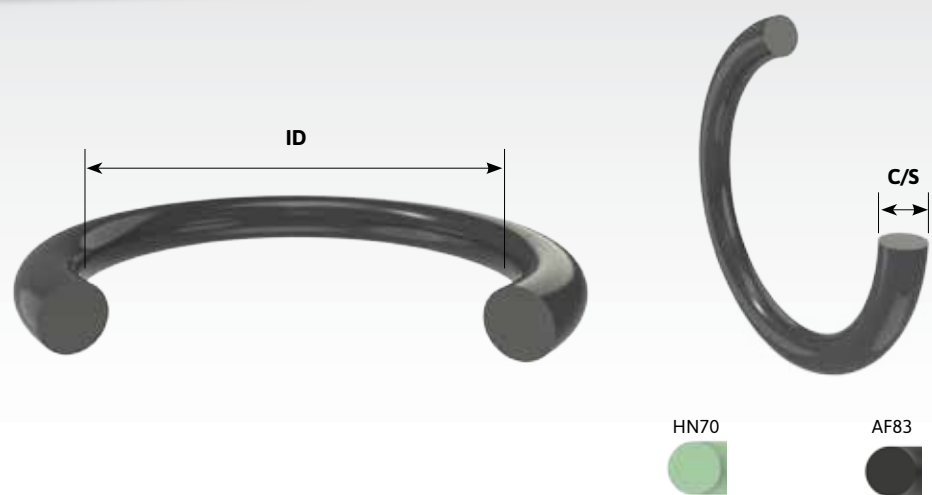
AF83



**HNBR
70 DURO**

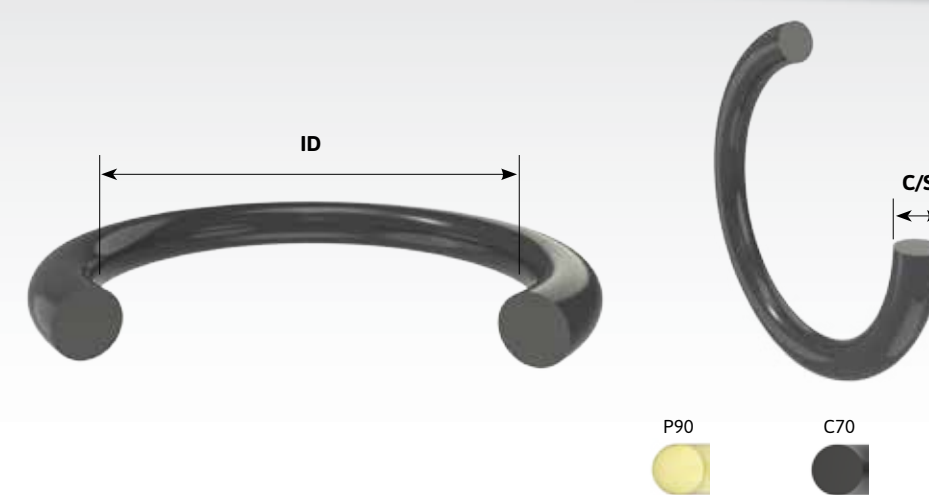
**AFLAS
83 DURO**

BS REF	NOMINAL			ACTUAL		PART N°	PART N°
	ID	OD	C/S	ID	C/S		
368	7.750	8.125	0.188	7.725	0.210		AF83-368
369	8.000	8.375	0.188	7.975	0.210		AF83-369
370	8.250	8.625	0.188	8.225	0.210		AF83-370
371	8.500	8.875	0.188	8.475	0.210		AF83-371
372	8.750	9.125	0.188	8.725	0.210		AF83-372
373	9.000	9.375	0.188	8.975	0.210		AF83-373
374	9.250	9.625	0.188	9.225	0.210		AF83-374
375	9.500	9.875	0.188	9.475	0.210		AF83-375
376	9.750	10.125	0.188	9.725	0.210		AF83-376
377	10.000	10.375	0.188	9.975	0.210		AF83-377
378	10.500	10.875	0.188	10.475	0.210		AF83-378
379	11.000	11.375	0.188	10.975	0.210		AF83-379
380	11.500	11.875	0.188	11.475	0.210		AF83-380
381	12.000	12.375	0.188	11.975	0.210		AF83-381
382	13.000	13.375	0.188	12.975	0.210		AF83-382
383	14.000	14.375	0.188	13.975	0.210		AF83-383
384	15.000	15.375	0.188	14.975	0.210		AF83-384
385	16.000	16.375	0.188	15.955	0.210		AF83-385
386	17.000	17.375	0.188	16.955	0.210		AF83-386
387	18.000	18.375	0.188	17.955	0.210		AF83-387
388	19.000	19.375	0.188	18.955	0.210		AF83-388
389	20.000	20.375	0.188	19.955	0.210		AF83-389
390	21.000	21.375	0.188	20.955	0.210		AF83-390
391	22.000	22.375	0.188	21.955	0.210		AF83-391
392	23.000	23.375	0.188	22.940	0.210		AF83-392
393	24.000	24.375	0.188	23.940	0.210		AF83-393
394	25.000	25.375	0.188	24.940	0.210		AF83-394
425	4.500	5.000	0.250	4.475	0.275		AF83-425
426	4.625	5.125	0.250	4.600	0.275		AF83-426
427	4.750	5.250	0.250	4.725	0.275		AF83-427
428	4.875	5.375	0.250	4.850	0.275		AF83-428
429	5.000	5.500	0.250	4.975	0.275		AF83-429
430	5.125	5.625	0.250	5.100	0.275		AF83-430
431	5.250	5.750	0.250	5.225	0.275		AF83-431
432	5.375	5.875	0.250	5.350	0.275		AF83-432
433	5.500	6.000	0.250	5.475	0.275		AF83-433
434	5.625	6.125	0.250	5.600	0.275		AF83-434
435	5.750	6.250	0.250	5.725	0.275		AF83-435
436	5.875	6.375	0.250	5.850	0.275		AF83-436
437	6.000	6.500	0.250	5.975	0.275		AF83-437
438	6.250	6.750	0.250	6.225	0.275		AF83-438
439	6.500	7.000	0.250	6.475	0.275		AF83-439



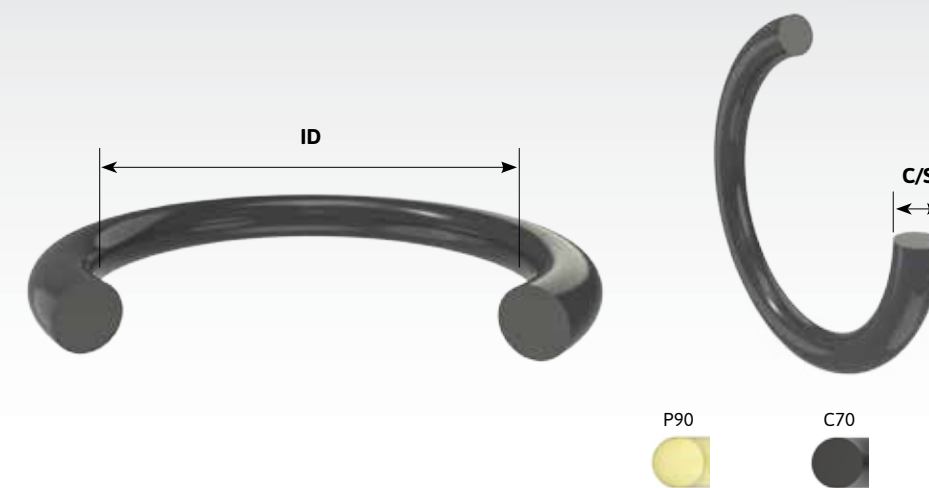
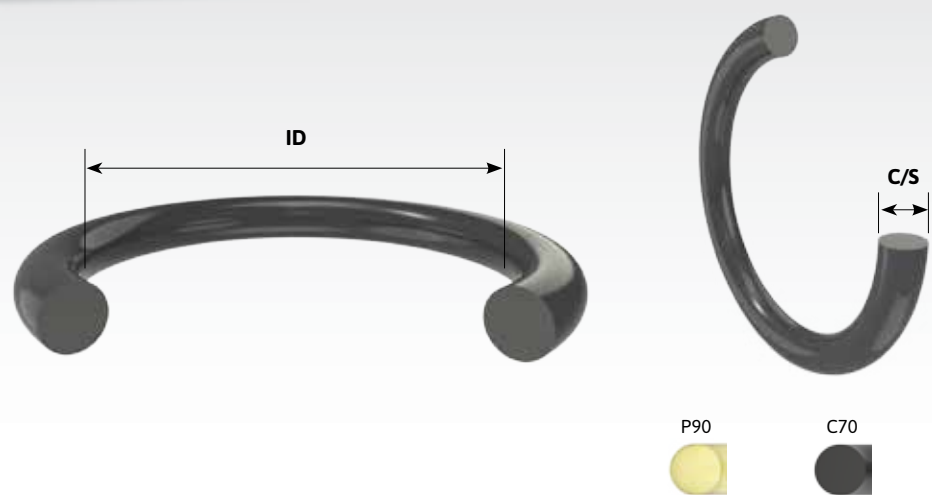
**HNBR
70 DURO** **AFLAS
83 DURO**

BS REF	NOMINAL			ACTUAL		PART N ^o	PART N ^o
	ID	OD	C/S	ID	C/S		
440	6.750	7.250	0.250	6.725	0.275		AF83-440
441	7.000	7.500	0.250	6.975	0.275		AF83-441
442	7.250	7.750	0.250	7.225	0.275		AF83-442
443	7.500	8.000	0.250	7.475	0.275		AF83-443
444	7.750	8.250	0.250	7.725	0.275		AF83-444
445	8.000	8.500	0.250	7.975	0.275		AF83-445
446	8.500	9.000	0.250	8.475	0.275		AF83-446
447	9.000	9.500	0.250	8.975	0.275		AF83-447
448	9.500	10.000	0.250	9.475	0.275		AF83-448
449	10.000	10.500	0.250	9.975	0.275		AF83-449
450	10.500	11.000	0.250	10.475	0.275		AF83-450
451	11.000	11.500	0.250	10.975	0.275		AF83-451
452	11.500	12.000	0.250	11.475	0.275		AF83-452
453	12.000	12.500	0.250	11.975	0.275		AF83-453
454	12.500	13.000	0.250	12.475	0.275		AF83-454
455	13.000	13.500	0.250	12.975	0.275		AF83-455
456	13.500	14.000	0.250	13.475	0.275		AF83-456
457	14.000	14.500	0.250	13.975	0.275		AF83-457
458	14.500	15.000	0.250	14.475	0.275		AF83-458
459	15.000	15.500	0.250	14.975	0.275		AF83-459
460	15.500	16.000	0.250	15.475	0.275		AF83-460
461	16.000	16.500	0.250	15.955	0.275		AF83-461
462	16.500	17.000	0.250	16.455	0.275		AF83-462
463	17.000	17.500	0.250	16.955	0.275		AF83-463
464	17.500	18.000	0.250	17.455	0.275		AF83-464
465	18.000	18.500	0.250	17.955	0.275		AF83-465
466	18.500	19.000	0.250	18.455	0.275		AF83-466
467	19.000	19.500	0.250	18.955	0.275		AF83-467
468	19.500	20.000	0.250	19.455	0.275		AF83-468
469	20.000	20.500	0.250	19.955	0.275		AF83-469
470	21.000	21.500	0.250	20.955	0.275		AF83-470
471	22.000	22.500	0.250	21.955	0.275		AF83-471
472	23.000	23.500	0.250	22.940	0.275		AF83-472
473	24.000	24.500	0.250	23.940	0.275		AF83-473
474	25.000	25.500	0.250	24.940	0.275		AF83-474
475	26.000	26.500	0.250	25.940	0.275		AF83-475
476	27.000	27.500	0.250	26.940	0.275		AF83-476
474	25.000	25.500	0.250	24.940	0.275		AF83-474
475	26.000	26.500	0.250	25.940	0.275		AF83-475
476	27.000	27.500	0.250	26.940	0.275		AF83-476



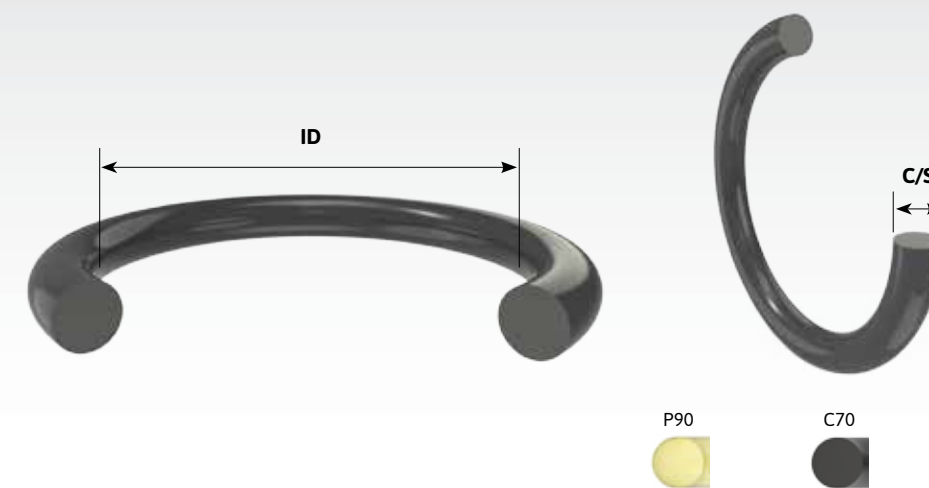
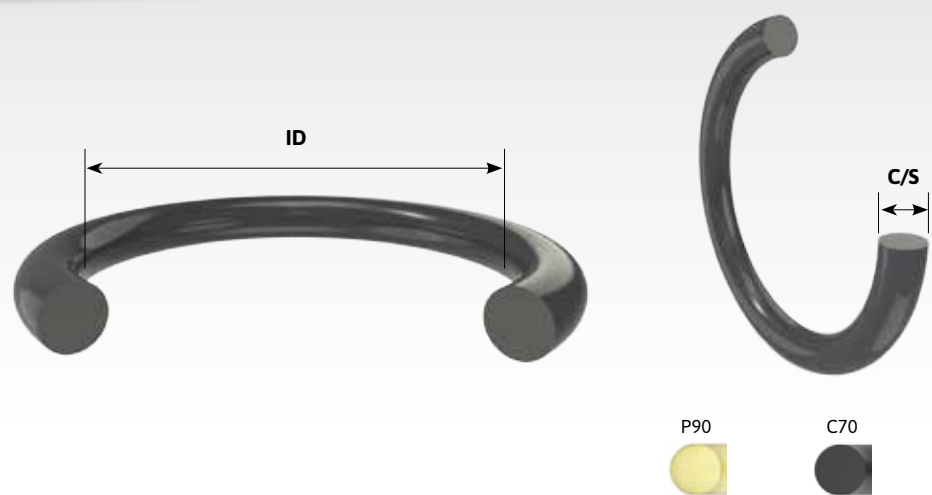
P90 **C70**

BS REF	NOMINAL			ACTUAL		PART N ^o	PART N ^o
	ID	OD	C/S	ID	C/S		
001	0.031	0.094	0.031	0.029	0.040	P90-001	C70-001
001.5	0.063	0.125	0.031	0.070	0.040		
002	0.047	0.141	0.047	0.042	0.050	P90-002	C70-002
003	0.063	0.188	0.063	0.056	0.060	P90-003	C70-003
004	0.078	0.203	0.063	0.070	0.070	P90-004	C70-004
005	0.094	0.219	0.063	0.101	0.070	P90-005	C70-005
006	0.125	0.250	0.063	0.114	0.070	P90-006	C70-006
007	0.156	0.281	0.063	0.145	0.070	P90-007	C70-007
008	0.188	0.313	0.063	0.176	0.070	P90-008	C70-008
009	0.219	0.344	0.063	0.208	0.070	P90-009	C70-009
010	0.250	0.375	0.063	0.239	0.070	P90-010	C70-010
011	0.313	0.438	0.063	0.301	0.070	P90-011	C70-011
012	0.375	0.500	0.063	0.364	0.070	P90-012	C70-012
013	0.438	0.563	0.063	0.426	0.070	P90-013	C70-013
014	0.500	0.625	0.063	0.489	0.070	P90-014	C70-014
015	0.562	0.687	0.063	0.551	0.070	P90-015	C70-015
016	0.625	0.750	0.063	0.614	0.070	P90-016	C70-016
017	0.687	0.812	0.063	0.676	0.070	P90-017	C70-017
018	0.750	0.875	0.063	0.739	0.070	P90-018	C70-018
019	0.812	0.937	0.063	0.801	0.070	P90-019	C70-019
020	0.875	1.000	0.063	0.864	0.070	P90-020	C70-020
021	0.938	1.063	0.063	0.926	0.070	P90-021	C70-021
022	1.000	1.125	0.063	0.989	0.070	P90-022	C70-022
023	1.063	1.188	0.063	1.051	0.070	P90-023	C70-023
024	1.125	1.250	0.063	1.114	0.070	P90-024	C70-024
025	1.188	1.313	0.063	1.176	0.070	P90-025	C70-025
026	1.250	1.375	0.063	1.239	0.070	P90-026	C70-026
027	1.313	1.438	0.063	1.301	0.070	P90-027	C70-027
028	1.375	1.500	0.063	1.364	0.070	P90-028	C70-028
029	1.500	1.625	0.063	1.489	0.070	P90-029	C70-029
030	1.625	1.750	0.063	1.614	0.070	P90-030	C70-030
031	1.750	1.875	0.063	1.739	0.070	P90-031	C70-031
032	1.875	2.000	0.063	1.864	0.070	P90-032	C70-032
033	2.000	2.125	0.063	1.989	0.070	P90-033	C70-033
034	2.125	2.250	0.063	2.114	0.070	P90-034	C70-034
035	2.250	2.375	0.063	2.239	0.070	P90-035	C70-035
036	2.375	2.500	0.063	2.364	0.070	P90-036	C70-036
037	2.500	2.625	0.063	2.489	0.070	P90-037	C70-037
038	2.625	2.750	0.063	2.614	0.070	P90-038	C70-038
039	2.750	2.875	0.063	2.739	0.070	P90-039	C70-039
040	2.875	3.000	0.063	2.864	0.070	P90-040	C70-040
041	3.000	3.125	0.063	2.989	0.070	P90-041	C70-041



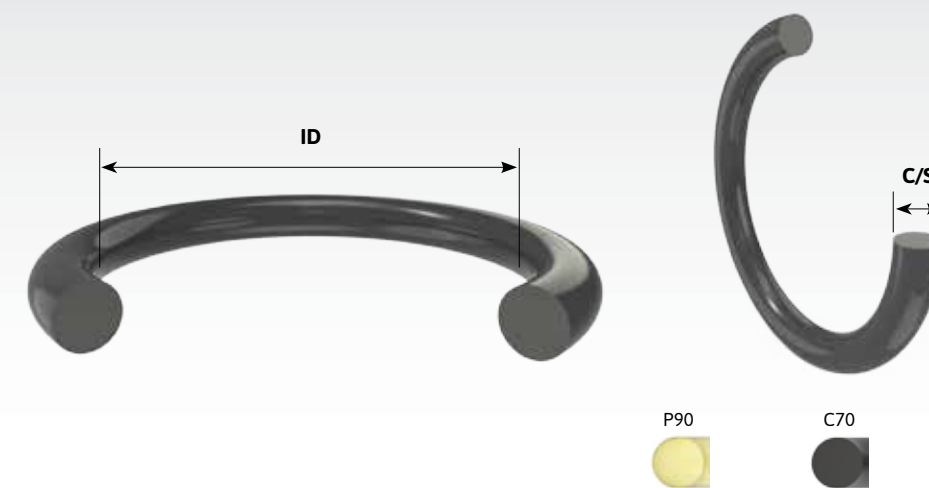
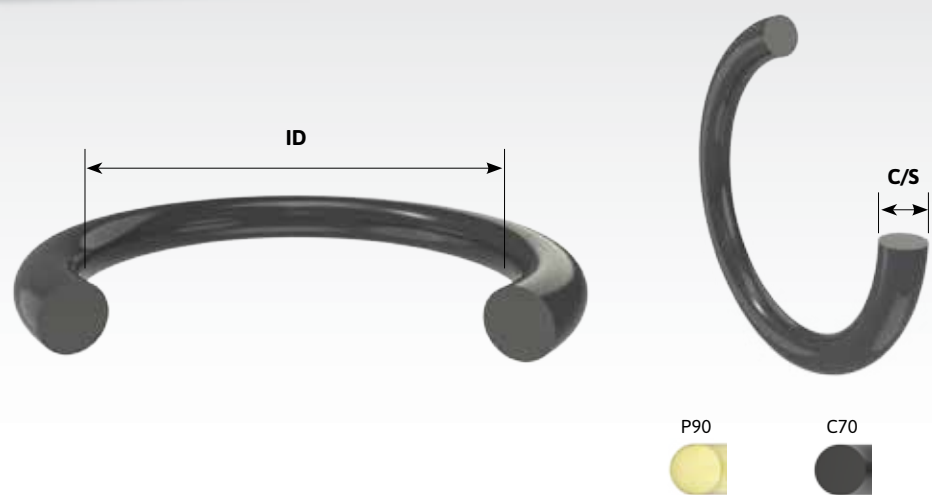
BS REF	NOMINAL			ACTUAL		90 DURO	70 DURO
	ID	OD	C/S	ID	C/S	PART N ^o	PART N ^o
042	3.250	3.375	0.063	3.239	0.070	P90-042	C70-042
043	3.500	3.625	0.063	3.489	0.070	P90-043	C70-043
044	3.750	3.875	0.063	3.739	0.070	P90-044	C70-044
045	4.000	4.125	0.063	3.989	0.070	P90-045	C70-045
046	4.250	4.375	0.063	4.239	0.070	P90-046	C70-046
047	4.500	4.625	0.063	4.489	0.070	P90-047	C70-047
048	4.750	4.875	0.063	4.739	0.070	P90-048	C70-048
049	5.000	5.125	0.063	4.989	0.070	P90-049	C70-049
050	5.250	5.375	0.063	5.239	0.070	P90-050	C70-050
102	0.063	0.250	0.094	0.049	0.103	P90-102	C70-102
103	0.094	0.281	0.094	0.081	0.103	P90-103	C70-103
104	0.125	0.313	0.094	0.112	0.103	P90-104	C70-104
105	0.156	0.344	0.094	0.143	0.103	P90-105	C70-105
106	0.187	0.375	0.094	0.174	0.103	P90-106	C70-106
107	0.219	0.406	0.094	0.206	0.103	P90-107	C70-107
108	0.250	0.438	0.094	0.237	0.103	P90-108	C70-108
109	0.312	0.500	0.094	0.299	0.103	P90-109	C70-109
110	0.375	0.563	0.094	0.362	0.103	P90-110	C70-110
111	0.437	0.625	0.094	0.424	0.103	P90-111	C70-111
112	0.500	0.688	0.094	0.487	0.103	P90-112	C70-112
113	0.562	0.750	0.094	0.549	0.103	P90-113	C70-113
114	0.625	0.813	0.094	0.612	0.103	P90-114	C70-114
115	0.687	0.875	0.094	0.674	0.103	P90-115	C70-115
116	0.750	0.938	0.094	0.737	0.103	P90-116	C70-116
117	0.812	1.000	0.094	0.799	0.103	P90-117	C70-117
118	0.875	1.063	0.094	0.862	0.103	P90-118	C70-118
119	0.937	1.125	0.094	0.924	0.103	P90-119	C70-119
120	1.000	1.188	0.094	0.987	0.103	P90-120	C70-120
121	1.063	1.251	0.094	1.049	0.103	P90-121	C70-121
122	1.125	1.313	0.094	1.112	0.103	P90-122	C70-122
123	1.187	1.375	0.094	1.174	0.103	P90-123	C70-123
124	1.250	1.438	0.094	1.237	0.103	P90-124	C70-124
125	1.312	1.500	0.094	1.299	0.103	P90-125	C70-125
126	1.375	1.563	0.094	1.362	0.103	P90-126	C70-126
127	1.437	1.625	0.094	1.424	0.103	P90-127	C70-127
128	1.500	1.688	0.094	1.487	0.103	P90-128	C70-128
129	1.562	1.750	0.094	1.549	0.103	P90-129	C70-129
130	1.625	1.813	0.094	1.612	0.103	P90-130	C70-130
131	1.687	1.875	0.094	1.674	0.103	P90-131	C70-131
132	1.750	1.938	0.094	1.737	0.103	P90-132	C70-132
133	1.812	2.000	0.094	1.799	0.103	P90-133	C70-133
134	1.875	2.063	0.094	1.862	0.103	P90-134	C70-134
135	1.937	2.125	0.094	1.925	0.103	P90-135	C70-135

BS REF	NOMINAL			ACTUAL		90 DURO	70 DURO
	ID	OD	C/S	ID	C/S	PART N ^o	PART N ^o
136	2.000	2.188	0.094	1.987	0.103	P90-136	C70-136
137	2.063	2.251	0.094	2.050	0.103	P90-137	C70-137
138	2.125	2.313	0.094	2.112	0.103	P90-138	C70-138
139	2.187	2.375	0.094	2.175	0.103	P90-139	C70-139
140	2.250	2.438	0.094	2.237	0.103	P90-140	C70-140
141	2.312	2.500	0.094	2.300	0.103	P90-141	C70-141
142	2.375	2.563	0.094	2.362	0.103	P90-142	C70-142
143	2.437	2.625	0.094	2.425	0.103	P90-143	C70-143
144	2.500	2.688	0.094	2.487	0.103	P90-144	C70-144
145	2.562	2.750	0.094	2.550	0.103	P90-145	C70-145
146	2.625	2.813	0.094	2.612	0.103	P90-146	C70-146
147	2.687	2.875	0.094	2.675	0.103	P90-147	C70-147
148	2.750	2.938	0.094	2.737	0.103	P90-148	C70-148
149	2.812	3.000	0.094	2.800	0.103	P90-149	C70-149
150	2.875	3.063	0.094	2.862	0.103	P90-150	C70-150
151	3.000	3.188	0.094	2.987	0.103	P90-151	C70-151
152	3.250	3.438	0.094	3.237	0.103	P90-152	C70-152
153	3.500	3.688	0.094	3.487	0.103	P90-153	C70-153
154	3.750	3.938	0.094	3.737	0.103	P90-154	C70-154
155	4.000	4.188	0.094	3.987	0.103	P90-155	C70-155
156	4.250	4.438	0.094	4.237	0.103	P90-156	C70-156
157	4.500	4.688	0.094	4.487	0.103	P90-157	C70-157
158	4.750	4.938	0.094	4.737	0.103	P90-158	C70-158
159	5.000	5.188	0.094	4.987	0.103	P90-159	C70-159
160	5.250	5.438	0.094	5.237	0.103	P90-160	C70-160
161	5.500	5.688	0.094	5.487	0.103	P90-161	C70-161
162	5.750	5.938	0.094	5.737	0.103	P90-162	C70-162
163	6.000	6.188	0.094	5.987	0.103	P90-163	C70-163
164	6.250	6.438	0.094	6.237	0.103	P90-164	C70-164
165	6.500	6.688	0.094	6.487	0.103	P90-165	C70-165
166	6.750	6.938	0.094	6.737	0.103	P90-166	C70-166
167	7.000	7.188	0.094	6.987	0.103	P90-167	C70-167
168	7.250	7.438	0.094	7.237	0.103	P90-168	C70-168
169	7.500	7.688	0.094	7.487	0.103	P90-169	C70-169
170	7.750	7.938	0.094	7.737	0.103	P90-170	C70-170
171	8.000	8.188	0.094	7.987	0.103	P90-171	C70-171
172	8.250	8.438	0.094	8.237	0.103	P90-172	C70-172
173	8.500	8.688	0.094	8.487	0.103	P90-173	C70-173
174	8.750	8.938	0.094	8.737	0.103	P90-174	C70-174
175	9.000	9.188	0.094	8.987	0.103	P90-175	C70-175
176	9.250	9.438	0.094	9.237	0.103	P90-176	C70-176
177	9.500	9.688	0.094	9.487	0.103	P90-177	C70-177
178	9.750	9.938	0.094	9.737	0.103	P90-178	C70-178



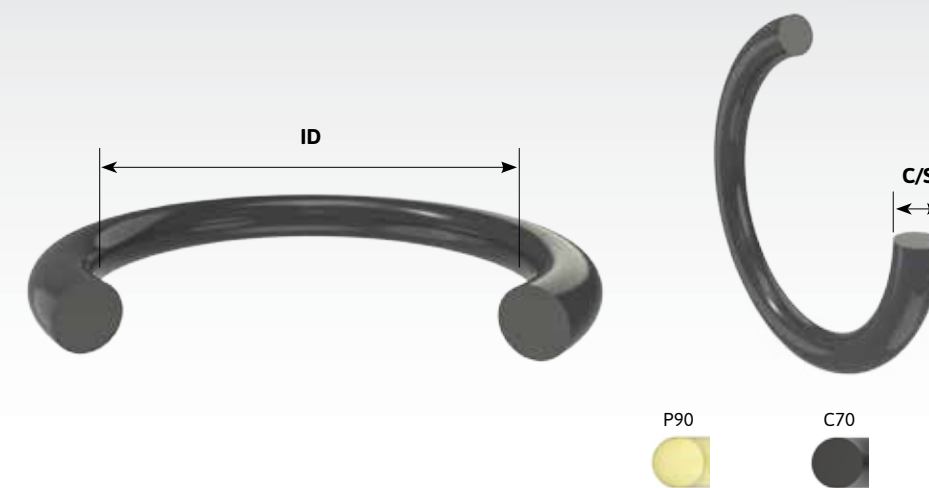
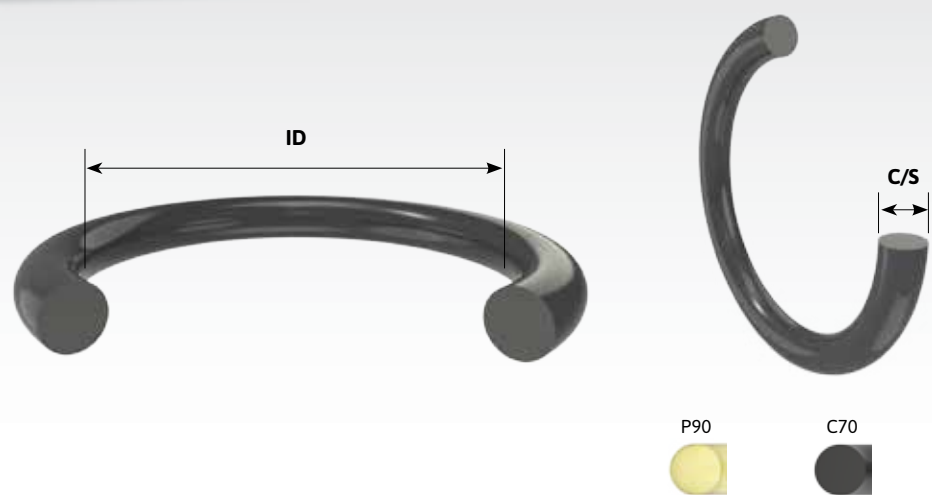
BS REF	NOMINAL			ACTUAL		90 DURO	70 DURO
	ID	OD	C/S	ID	C/S	PART N ^o	PART N ^o
201	0.187	0.437	0.125	0.171	0.139	P90-201	C70-201
202	0.250	0.500	0.125	0.234	0.139	P90-202	C70-202
203	0.312	0.562	0.125	0.296	0.139	P90-203	C70-203
204	0.375	0.625	0.125	0.359	0.139	P90-204	C70-204
205	0.437	0.687	0.125	0.421	0.139	P90-205	C70-205
206	0.500	0.750	0.125	0.484	0.139	P90-206	C70-206
207	0.562	0.812	0.125	0.546	0.139	P90-207	C70-207
208	0.625	0.875	0.125	0.609	0.139	P90-208	C70-208
209	0.687	0.937	0.125	0.671	0.139	P90-209	C70-209
210	0.750	1.000	0.125	0.734	0.139	P90-210	C70-210
211	0.812	1.062	0.125	0.796	0.139	P90-211	C70-211
212	0.875	1.125	0.125	0.859	0.139	P90-212	C70-212
213	0.937	1.187	0.125	0.921	0.139	P90-213	C70-213
214	1.000	1.250	0.125	0.984	0.139	P90-214	C70-214
215	1.063	1.313	0.125	1.046	0.139	P90-215	C70-215
216	1.125	1.375	0.125	1.109	0.139	P90-216	C70-216
217	1.187	1.437	0.125	1.171	0.139	P90-217	C70-217
218	1.250	1.500	0.125	1.234	0.139	P90-218	C70-218
219	1.312	1.562	0.125	1.296	0.139	P90-219	C70-219
220	1.375	1.625	0.125	1.359	0.139	P90-220	C70-220
221	1.437	1.687	0.125	1.421	0.139	P90-221	C70-221
222	1.500	1.750	0.125	1.484	0.139	P90-222	C70-222
223	1.625	1.875	0.125	1.609	0.139	P90-223	C70-223
224	1.750	2.000	0.125	1.734	0.139	P90-224	C70-224
225	1.875	2.125	0.125	1.859	0.139	P90-225	C70-225
226	2.000	2.250	0.125	1.984	0.139	P90-226	C70-226
227	2.125	2.375	0.125	2.109	0.139	P90-227	C70-227
228	2.250	2.500	0.125	2.234	0.139	P90-228	C70-228
229	2.375	2.625	0.125	2.359	0.139	P90-229	C70-229
230	2.500	2.750	0.125	2.484	0.139	P90-230	C70-230
231	2.625	2.875	0.125	2.609	0.139	P90-231	C70-231
232	2.750	3.000	0.125	2.734	0.139	P90-232	C70-232
233	2.875	3.125	0.125	2.859	0.139	P90-233	C70-233
234	3.000	3.250	0.125	2.984	0.139	P90-234	C70-234
235	3.125	3.375	0.125	3.109	0.139	P90-235	C70-235
236	3.250	3.500	0.125	3.234	0.139	P90-236	C70-236
237	3.375	3.625	0.125	3.359	0.139	P90-237	C70-237
238	3.500	3.750	0.125	3.484	0.139	P90-238	C70-238
239	3.625	3.875	0.125	3.609	0.139	P90-239	C70-239
240	3.750	4.000	0.125	3.734	0.139	P90-240	C70-240
241	3.875	4.125	0.125	3.859	0.139	P90-241	C70-241
242	4.000	4.250	0.125	3.984	0.139	P90-242	C70-242

BS REF	NOMINAL			ACTUAL		90 DURO	70 DURO
	ID	OD	C/S	ID	C/S	PART N ^o	PART N ^o
243	4.125	4.375	0.125	4.109	0.139	P90-243	C70-243
244	4.250	4.500	0.125	4.234	0.139	P90-244	C70-244
245	4.375	4.625	0.125	4.359	0.139	P90-245	C70-245
246	4.500	4.750	0.125	4.484	0.139	P90-246	C70-246
247	4.625	4.875	0.125	4.609	0.139	P90-247	C70-247
248	4.750	5.000	0.125	4.734	0.139	P90-248	C70-248
249	4.875	5.125	0.125	4.859	0.139	P90-249	C70-249
250	5.000	5.250	0.125	4.984	0.139	P90-250	C70-250
251	5.125	5.375	0.125	5.109	0.139	P90-251	C70-251
252	5.250	5.500	0.125	5.234	0.139	P90-252	C70-252
253	5.375	5.625	0.125	5.359	0.139	P90-253	C70-253
254	5.500	5.750	0.125	5.484	0.139	P90-254	C70-254
255	5.625	5.875	0.125	5.609	0.139	P90-255	C70-255
256	5.750	6.000	0.125	5.734	0.139	P90-256	C70-256
257	5.875	6.125	0.125	5.859	0.139	P90-257	C70-257
258	6.000	6.250	0.125	5.984	0.139	P90-258	C70-258
259	6.250	6.500	0.125	6.234	0.139	P90-259	C70-259
260	6.500	6.750	0.125	6.484	0.139	P90-260	C70-260
261	6.750	7.000	0.125	6.734	0.139	P90-261	C70-261
262	7.000	7.250	0.125	6.984	0.139	P90-262	C70-262
263	7.250	7.500	0.125	7.234	0.139	P90-263	C70-263
264	7.500	7.750	0.125	7.484	0.139	P90-264	C70-264
265	7.750	8.000	0.125	7.734	0.139	P90-265	C70-265
266	8.000	8.250	0.125	7.984	0.139	P90-266	C70-266
267	8.250	8.500	0.125	8.234	0.139	P90-267	C70-267
268	8.500	8.750	0.125	8.484	0.139	P90-268	C70-268
269	8.750	9.000	0.125	8.734	0.139	P90-269	C70-269
270	9.000	9.250	0.125	8.984	0.139	P90-270	C70-270
271	9.250	9.500	0.125	9.234	0.139	P90-271	C70-271
272	9.500	9.750	0.125	9.484	0.139	P90-272	C70-272
273	9.750	10.000	0.125	9.734	0.139	P90-273	C70-273
274	10.000	10.250	0.125	9.984	0.139	P90-274	C70-274
275	10.500	10.750	0.125	10.484	0.139	P90-275	C70-275
276	11.000	11.250	0.125	10.984	0.139	P90-276	C70-276
277	11.500	11.750	0.125	11.484	0.139	P90-277	C70-277
278	12.000	12.250	0.125	11.984	0.139	P90-278	C70-278
279	13.000	13.250	0.125	12.984	0.139	P90-279	C70-279
280	14.000	14.250	0.125	13.984	0.139	P90-280	C70-280
281	15.000	15.250	0.125	14.984	0.139	P90-281	C70-281
282	16.000	16.250	0.125	15.955	0.139	P90-282	C70-282
283	17.000	17.250	0.125	16.955	0.139	P90-283	C70-283
284	18.000	18.250	0.125	17.955	0.139	P90-284	C70-284
309	0.437	0.812	0.188	0.412	0.210	P90-309	C70-309



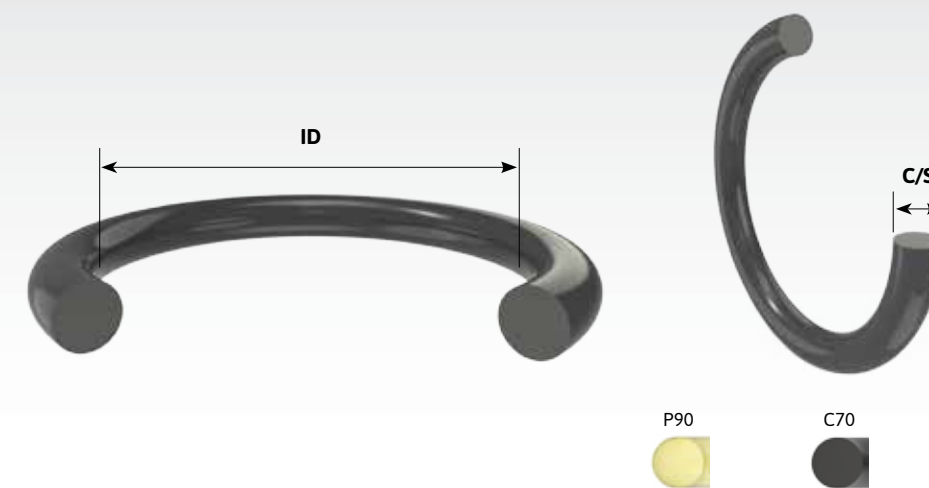
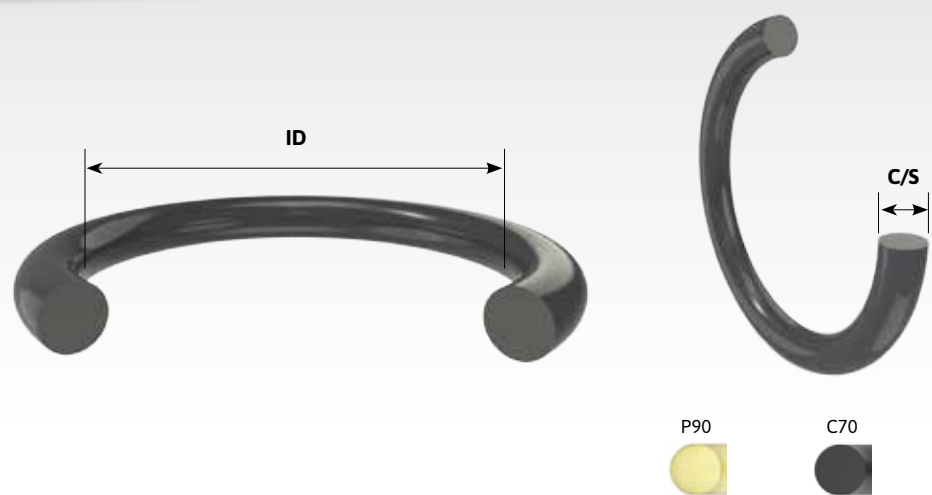
BS REF	NOMINAL			ACTUAL		90 DURO	70 DURO
	ID	OD	C/S	ID	C/S	PART N ^o	PART N ^o
310	0.500	0.875	0.188	0.475	0.210	P90-310	C70-310
311	0.562	0.937	0.188	0.537	0.210	P90-311	C70-311
312	0.625	1.000	0.188	0.600	0.210	P90-312	C70-312
313	0.687	1.062	0.188	0.662	0.210	P90-313	C70-313
314	0.750	1.125	0.188	0.725	0.210	P90-314	C70-314
315	0.812	1.187	0.188	0.787	0.210	P90-315	C70-315
316	0.875	1.250	0.188	0.850	0.210	P90-316	C70-316
317	0.937	1.312	0.188	0.912	0.210	P90-317	C70-317
318	1.000	1.375	0.188	0.975	0.210	P90-318	C70-318
319	1.062	1.437	0.188	1.037	0.210	P90-319	C70-319
320	1.125	1.500	0.188	1.100	0.210	P90-320	C70-320
321	1.187	1.562	0.188	1.162	0.210	P90-321	C70-321
322	1.250	1.625	0.188	1.225	0.210	P90-322	C70-322
323	1.312	1.687	0.188	1.287	0.210	P90-323	C70-323
324	1.375	1.750	0.188	1.350	0.210	P90-324	C70-324
325	1.500	1.875	0.188	1.475	0.210	P90-325	C70-325
326	1.625	2.000	0.188	1.600	0.210	P90-326	C70-326
327	1.750	2.125	0.188	1.725	0.210	P90-327	C70-327
328	1.875	2.250	0.188	1.850	0.210	P90-328	C70-328
329	2.000	2.375	0.188	1.975	0.210	P90-329	C70-329
330	2.125	2.500	0.188	2.100	0.210	P90-330	C70-330
331	2.250	2.625	0.188	2.225	0.210	P90-331	C70-331
332	2.375	2.750	0.188	2.350	0.210	P90-332	C70-332
333	2.500	2.875	0.188	2.475	0.210	P90-333	C70-333
334	2.625	3.000	0.188	2.600	0.210	P90-334	C70-334
335	2.750	3.125	0.188	2.725	0.210	P90-335	C70-335
336	2.875	3.250	0.188	2.850	0.210	P90-336	C70-336
337	3.000	3.375	0.188	2.975	0.210	P90-337	C70-337
338	3.125	3.500	0.188	3.100	0.210	P90-338	C70-338
339	3.250	3.625	0.188	3.225	0.210	P90-339	C70-339
340	3.375	3.750	0.188	3.350	0.210	P90-340	C70-340
341	3.500	3.875	0.188	3.475	0.210	P90-341	C70-341
342	3.625	4.000	0.188	3.600	0.210	P90-342	C70-342
343	3.750	4.125	0.188	3.725	0.210	P90-343	C70-343
344	3.875	4.250	0.188	3.850	0.210	P90-344	C70-344
345	4.000	4.375	0.188	3.975	0.210	P90-345	C70-345
346	4.125	4.500	0.188	4.100	0.210	P90-346	C70-346
347	4.250	4.625	0.188	4.225	0.210	P90-347	C70-347
348	4.375	4.750	0.188	4.350	0.210	P90-348	C70-348
349	4.500	4.875	0.188	4.475	0.210	P90-349	C70-349
350	4.625	5.000	0.188	4.600	0.210	P90-350	C70-350
351	4.750	5.125	0.188	4.725	0.210	P90-351	C70-351
352	4.875	5.250	0.188	4.850	0.210	P90-352	C70-352

BS REF	NOMINAL			ACTUAL		90 DURO	70 DURO
	ID	OD	C/S	ID	C/S	PART N ^o	PART N ^o
353	5.000	5.375	0.188	4.975	0.210	P90-353	C70-353
354	5.125	5.500	0.188	5.100	0.210	P90-354	C70-354
355	5.250	5.625	0.188	5.225	0.210	P90-355	C70-355
356	5.375	5.750	0.188	5.350	0.210	P90-356	C70-356
357	5.500	5.875	0.188	5.475	0.210	P90-357	C70-357
358	5.625	6.000	0.188	5.600	0.210	P90-358	C70-358
359	5.750	6.125	0.188	5.725	0.210	P90-359	C70-359
360	5.875	6.250	0.188	5.850	0.210	P90-360	C70-360
361	6.000	6.375	0.188	5.975	0.210	P90-361	C70-361
362	6.250	6.625	0.188	6.225	0.210	P90-362	C70-362
363	6.500	6.875	0.188	6.475	0.210	P90-363	C70-363
364	6.750	7.125	0.188	6.725	0.210	P90-364	C70-364
365	7.000	7.375	0.188	6.975	0.210	P90-365	C70-365
366	7.250	7.625	0.188	7.225	0.210	P90-366	C70-366
367	7.500	7.875	0.188	7.475	0.210	P90-367	C70-367
368	7.750	8.125	0.188	7.725	0.210	P90-368	C70-368
369	8.000	8.375	0.188	7.975	0.210	P90-369	C70-369
370	8.250	8.625	0.188	8.225	0.210	P90-370	C70-370
371	8.500	8.875	0.188	8.475	0.210	P90-371	C70-371
372	8.750	9.125	0.188	8.725	0.210	P90-372	C70-372
373	9.000	9.375	0.188	8.975	0.210	P90-373	C70-373
374	9.250	9.625	0.188	9.225	0.210	P90-374	C70-374
375	9.500	9.875	0.188	9.475	0.210	P90-375	C70-375
376	9.750	10.125	0.188	9.725	0.210	P90-376	C70-376
377	10.000	10.375	0.188	9.975	0.210	P90-377	C70-377
378	10.500	10.875	0.188	10.475	0.210	P90-378	C70-378
379	11.000	11.375	0.188	10.975	0.210	P90-379	C70-379
380	11.500	11.875	0.188	11.475	0.210	P90-380	C70-380
381	12.000	12.375	0.188	11.975	0.210	P90-381	C70-381
382	13.000	13.375	0.188	12.975	0.210	P90-382	C70-382
383	14.000	14.375	0.188	13.975	0.210	P90-383	C70-383
384	15.000	15.375	0.188	14.975	0.210	P90-384	C70-384
385	16.000	16.375	0.188	15.955	0.210	P90-385	C70-385
386	17.000	17.375	0.188	16.955	0.210	P90-386	C70-386
387	18.000	18.375	0.188	17.955	0.210	P90-387	C70-387
388	19.000	19.375	0.188	18.955	0.210	P90-388	C70-388
389	20.000	20.375	0.188	19.955	0.210	P90-389	C70-389
390	21.000	21.375	0.188	20.955	0.210	P90-390	C70-390
391	22.000	22.375	0.188	21.955	0.210	P90-391	C70-391
392	23.000	23.375	0.188	22.940	0.210	P90-392	C70-392
393	24.000	24.375	0.188	23.940	0.210	P90-393	C70-393
394	25.000	25.375	0.188	24.940	0.210	P90-394	C70-394
395	26.000	26.375	0.188	25.940	0.210	P90-395	C70-395



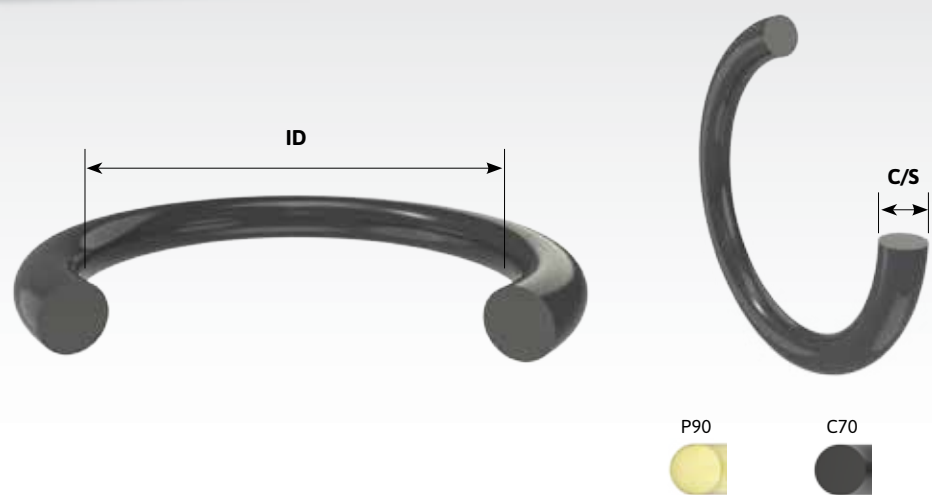
BS REF	NOMINAL			ACTUAL		90 DURO	70 DURO
	ID	OD	C/S	ID	C/S	PART N ^o	PART N ^o
401	1.500	2.000	0.250	1.475	0.275	P90-401	C70-401
403	1.750	2.250	0.250	1.725	0.275	P90-403	C70-403
404	1.875	2.375	0.250	1.850	0.275	P90-404	C70-404
405	2.000	2.500	0.250	1.975	0.275	P90-405	C70-405
407	2.250	2.750	0.250	2.225	0.275	P90-407	C70-407
408	2.375	2.875	0.250	2.350	0.275	P90-408	C70-408
409	2.500	3.000	0.250	2.475	0.275	P90-409	C70-409
410	2.625	3.125	0.250	2.600	0.275	P90-410	C70-410
411	2.750	3.250	0.250	2.725	0.275	P90-411	C70-411
412	2.875	3.375	0.250	2.850	0.275	P90-412	C70-412
413	3.000	3.500	0.250	2.975	0.275	P90-413	C70-413
414	3.125	3.625	0.250	3.100	0.275	P90-414	C70-414
415	3.250	3.750	0.250	3.225	0.275	P90-415	C70-415
416	3.375	3.875	0.250	3.350	0.275	P90-416	C70-416
417	3.500	4.000	0.250	3.475	0.275	P90-417	C70-417
418	3.625	4.125	0.250	3.600	0.275	P90-418	C70-418
419	3.750	4.250	0.250	3.725	0.275	P90-419	C70-419
420	3.875	4.375	0.250	3.850	0.275	P90-420	C70-420
421	4.000	4.500	0.250	3.975	0.275	P90-421	C70-421
422	4.125	4.625	0.250	4.100	0.275	P90-422	C70-422
423	4.250	4.750	0.250	4.225	0.275	P90-423	C70-423
424	4.375	4.875	0.250	4.350	0.275	P90-424	C70-424
425	4.500	5.000	0.250	4.475	0.275	P90-425	C70-425
426	4.625	5.125	0.250	4.600	0.275	P90-426	C70-426
427	4.750	5.250	0.250	4.725	0.275	P90-427	C70-427
428	4.875	5.375	0.250	4.850	0.275	P90-428	C70-428
429	5.000	5.500	0.250	4.975	0.275	P90-429	C70-429
430	5.125	5.625	0.250	5.100	0.275	P90-430	C70-430
431	5.250	5.750	0.250	5.225	0.275	P90-431	C70-431
432	5.375	5.875	0.250	5.350	0.275	P90-432	C70-432
433	5.500	6.000	0.250	5.475	0.275	P90-433	C70-433
434	5.625	6.125	0.250	5.600	0.275	P90-434	C70-434
435	5.750	6.250	0.250	5.725	0.275	P90-435	C70-435
436	5.875	6.375	0.250	5.850	0.275	P90-436	C70-436
437	6.000	6.500	0.250	5.975	0.275	P90-437	C70-437
438	6.250	6.750	0.250	6.225	0.275	P90-438	C70-438
439	6.500	7.000	0.250	6.475	0.275	P90-439	C70-439
440	6.750	7.250	0.250	6.725	0.275	P90-440	C70-440
441	7.000	7.500	0.250	6.975	0.275	P90-441	C70-441
442	7.250	7.750	0.250	7.225	0.275	P90-442	C70-442
443	7.500	8.000	0.250	7.475	0.275	P90-443	C70-443
444	7.750	8.250	0.250	7.725	0.275	P90-444	C70-444
445	8.000	8.500	0.250	7.975	0.275	P90-445	C70-445

BS REF	NOMINAL			ACTUAL		90 DURO	70 DURO
	ID	OD	C/S	ID	C/S	PART N ^o	PART N ^o
445A	8.250	8.750	0.250	8.225	0.275	P90-445A	C70-445A
446	8.500	9.000	0.250	8.475	0.275	P90-446	C70-446
446A	8.750	9.250	0.250	8.725	0.275	P90-446A	C70-446A
447	9.000	9.500	0.250	8.975	0.275	P90-447	C70-447
447A	9.250	9.750	0.250	9.225	0.275	P90-447A	C70-447A
448	9.500	10.000	0.250	9.475	0.275	P90-448	C70-448
448A	9.750	10.250	0.250	9.725	0.275	P90-448A	C70-448A
449	10.000	10.500	0.250	9.975	0.275	P90-449	C70-449
449A	10.250	10.750	0.250	10.225	0.275	P90-449A	C70-449A
450	10.500	11.000	0.250	10.475	0.275	P90-450	C70-450
450A	10.750	11.250	0.250	10.725	0.275	P90-450A	C70-450A
451	11.000	11.500	0.250	10.975	0.275	P90-451	C70-451
451A	11.250	11.750	0.250	11.225	0.275	P90-451A	C70-451A
452	11.500	12.000	0.250	11.475	0.275	P90-452	C70-452
452A	11.750	12.250	0.250	11.725	0.275	P90-452A	C70-452A
453	12.000	12.500	0.250	11.975	0.275	P90-453	C70-453
453A	12.250	12.750	0.250	12.225	0.275	P90-453A	C70-453A
454	12.500	13.000	0.250	12.475	0.275	P90-454	C70-454
455	13.000	13.500	0.250	12.975	0.275	P90-455	C70-455
455A	13.250	13.750	0.250	13.225	0.275	P90-455A	C70-455A
456	13.500	14.000	0.250	13.475	0.275	P90-456	C70-456
457	14.000	14.500	0.250	13.975	0.275	P90-457	C70-457
458	14.500	15.000	0.250	14.475	0.275	P90-458	C70-458
459	15.000	15.500	0.250	14.975	0.275	P90-459	C70-459
460	15.500	16.000	0.250	15.475	0.275	P90-460	C70-460
461	16.000	16.500	0.250	15.955	0.275	P90-461	C70-461
462	16.500	17.000	0.250	16.455	0.275	P90-462	C70-462
463	17.000	17.500	0.250	16.955	0.275	P90-463	C70-463
464	17.500	18.000	0.250	17.455	0.275	P90-464	C70-464
465	18.000	18.500	0.250	17.955	0.275	P90-465	C70-465
466	18.500	19.000	0.250	18.455	0.275	P90-466	C70-466
467	19.000	19.500	0.250	18.955	0.275	P90-467	C70-467
468	19.500	20.000	0.250	19.455	0.275	P90-468	C70-468
469	20.000	20.500	0.250	19.955	0.275	P90-469	C70-469
470	21.000	21.500	0.250	20.955	0.275	P90-470	C70-470
471	22.000	22.500	0.250	21.955	0.275	P90-471	C70-471
472	23.000	23.500	0.250	22.940	0.275	P90-472	C70-472
473	24.000	24.500	0.250	23.940	0.275	P90-473	C70-473
474	25.000	25.500	0.250	24.940	0.275	P90-474	C70-474
475	26.000	26.500	0.250	25.940	0.275	P90-475	C70-475
517	1.438	1.564	0.063	1.428	0.070	P90-517	C70-517
519	1.563	1.689	0.063	1.553	0.070	P90-519	C70-519
532	3.120	3.246	0.063	3.110	0.070	P90-532	C70-532

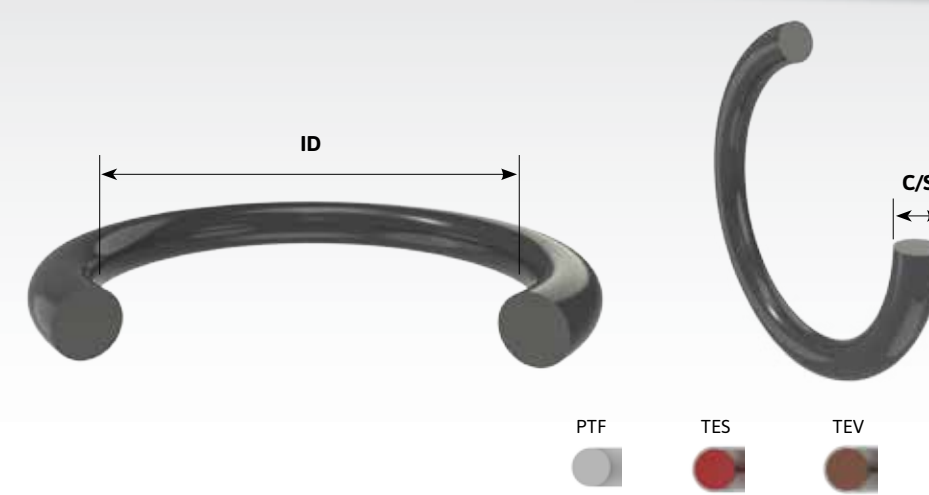


BS REF	NOMINAL			ACTUAL		90 DURO	70 DURO
	ID	OD	C/S	ID	C/S	PART N ^o	PART N ^o
534	3.370	3.496	0.063	3.360	0.070	P90-534	C70-534
536	3.620	3.746	0.063	3.610	0.070	P90-536	C70-536
538	3.870	3.996	0.063	3.860	0.070	P90-538	C70-538
540	4.120	4.246	0.063	4.110	0.070	P90-540	C70-540
542	4.370	4.496	0.063	4.360	0.070	P90-542	C70-542
544	4.620	4.746	0.063	4.610	0.070	P90-544	C70-544
546	4.870	4.996	0.063	4.860	0.070	P90-546	C70-546
548	5.105	5.231	0.063	5.095	0.070	P90-548	C70-548
550	5.355	5.481	0.063	5.345	0.070	P90-550	C70-550
551	5.480	5.606	0.063	5.470	0.070	P90-551	C70-551
552	5.605	5.731	0.063	5.595	0.070	P90-552	C70-552
553	5.730	5.856	0.063	5.720	0.070	P90-553	C70-553
554	5.855	5.981	0.063	5.845	0.070	P90-554	C70-554
555	5.980	6.106	0.063	5.970	0.070	P90-555	C70-555
556	6.105	6.231	0.063	6.095	0.070	P90-556	C70-556
557	6.230	6.356	0.063	6.220	0.070	P90-557	C70-557
558	6.355	6.481	0.063	6.345	0.070	P90-558	C70-558
559	6.480	6.606	0.063	6.470	0.070	P90-559	C70-559
560	6.605	6.731	0.063	6.595	0.070	P90-560	C70-560
561	6.730	6.856	0.063	6.720	0.070	P90-561	C70-561
562	6.855	6.981	0.063	6.845	0.070	P90-562	C70-562
606	0.080	0.206	0.063	0.070	0.070	P90-606	C70-606
607	0.093	0.165	0.036	0.100	0.040	P90-607	C70-607
610	0.276	0.402	0.063	0.266	0.070	P90-610	C70-610
611	0.354	0.480	0.063	0.344	0.070	P90-611	C70-611
613	0.405	0.592	0.094	0.391	0.103	P90-613	C70-613
614	0.483	0.670	0.094	0.469	0.103	P90-614	C70-614
616	0.608	0.795	0.094	0.594	0.103	P90-616	C70-616
617	0.715	0.902	0.094	0.701	0.103	P90-617	C70-617
618	1.000	1.250	0.125	1.016	0.139	P90-618	C70-618
619	2.963	3.338	0.188	2.938	0.210	P90-619	C70-619
620	3.165	3.540	0.188	3.140	0.210	P90-620	C70-620
621	3.556	3.931	0.188	3.531	0.210	P90-621	C70-621
622	3.962	4.337	0.188	3.937	0.210	P90-622	C70-622
623	4.338	4.713	0.188	4.313	0.210	P90-623	C70-623
624	4.541	5.041	0.250	4.516	0.275	P90-624	C70-624
625	4.931	5.431	0.250	4.906	0.275	P90-625	C70-625
626	5.320	5.820	0.250	5.295	0.275	P90-626	C70-626
627	6.305	6.805	0.250	6.280	0.275	P90-627	C70-627
628	6.588	7.088	0.250	6.563	0.275	P90-628	C70-628
640	2.938	3.125	0.094	2.924	0.103	P90-640	C70-640
641	3.063	3.250	0.094	3.049	0.103	P90-641	C70-641
642	3.188	3.375	0.094	3.174	0.103	P90-642	C70-642

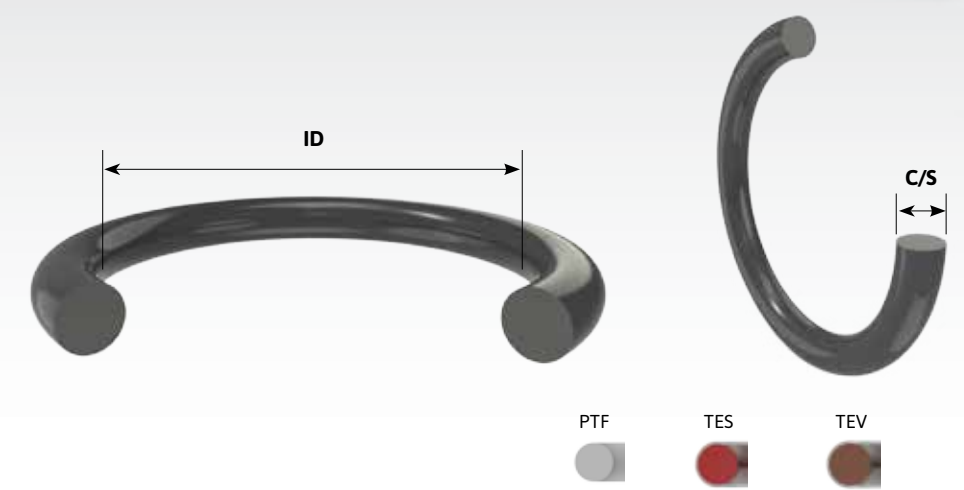
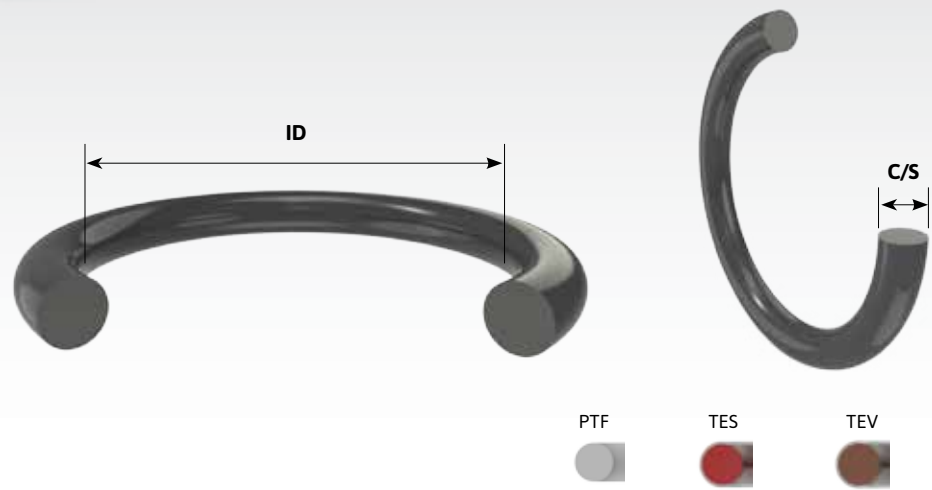
BS REF	NOMINAL			ACTUAL		90 DURO	70 DURO
	ID	OD	C/S	ID	C/S	PART N ^o	PART N ^o
643	3.313	3.500	0.094	3.299	0.103	P90-643	C70-643
644	6.127	6.502	0.188	6.102	0.210	P90-644	C70-644
645	6.375	6.750	0.188	6.350	0.210	P90-645	C70-645
646	6.627	7.002	0.188	6.602	0.210	P90-646	C70-646
647	6.875	7.250	0.188	6.850	0.210	P90-647	C70-647
802	0.197	0.323	0.063	0.187	0.070	P90-802	C70-802
803	0.260	0.386	0.063	0.250	0.070	P90-803	C70-803
804	0.322	0.448	0.063	0.312	0.070	P90-804	C70-804
807	0.514	0.701	0.094	0.500	0.103	P90-807	C70-807
809	0.639	0.826	0.094	0.625	0.103	P90-809	C70-809
810	0.701	0.888	0.094	0.687	0.103	P90-810	C70-810
812	0.826	1.013	0.094	0.812	0.103	P90-812	C70-812
813	0.889	1.076	0.094	0.875	0.103	P90-813	C70-813
814	0.951	1.138	0.094	0.937	0.103	P90-814	C70-814
824	1.547	1.797	0.125	1.563	0.139	P90-824	C70-824
825	1.609	1.859	0.125	1.625	0.139	P90-825	C70-825
826	1.671	1.921	0.125	1.687	0.139	P90-826	C70-826
827	1.734	1.984	0.125	1.750	0.139	P90-827	C70-827
828	1.796	2.046	0.125	1.812	0.139	P90-828	C70-828
829	1.859	2.109	0.125	1.875	0.139	P90-829	C70-829
830	1.921	2.171	0.125	1.937	0.139	P90-830	C70-830
831	1.984	2.234	0.125	2.000	0.139	P90-831	C70-831
832	2.046	2.296	0.125	2.062	0.139	P90-832	C70-832
833	2.109	2.359	0.125	2.125	0.139	P90-833	C70-833
834	2.171	2.421	0.125	2.187	0.139	P90-834	C70-834
835	2.234	2.484	0.125	2.250	0.139	P90-835	C70-835
836	2.296	2.546	0.125	2.312	0.139	P90-836	C70-836
837	2.359	2.609	0.125	2.375	0.139	P90-837	C70-837
838	2.421	2.671	0.125	2.437	0.139	P90-838	C70-838
839	2.484	2.734	0.125	2.500	0.139	P90-839	C70-839
840	2.547	2.797	0.125	2.563	0.139	P90-840	C70-840
841	2.609	2.859	0.125	2.625	0.139	P90-841	C70-841
842	2.734	2.984	0.125	2.750	0.139	P90-842	C70-842
843	2.796	3.046	0.125	2.812	0.139	P90-843	C70-843
844	2.796	3.046	0.125	2.812	0.139	P90-844	C70-844
845	2.859	3.109	0.125	2.875	0.139	P90-845	C70-845
846	2.921	3.171	0.125	2.937	0.139	P90-846	C70-846
860	4.650	5.025	0.188	4.625	0.210	P90-860	C70-860
861	4.775	5.150	0.188	4.750	0.210	P90-861	C70-861
862	4.900	5.275	0.188	4.875	0.210	P90-862	C70-862
863	5.025	5.400	0.188	5.000	0.210	P90-863	C70-863
864	5.150	5.525	0.188	5.125	0.210	P90-864	C70-864
865	5.275	5.650	0.188	5.250	0.210	P90-865	C70-865



BS REF	NOMINAL			ACTUAL		90 DURO	70 DURO
	ID	OD	C/S	ID	C/S	PART N°	PART N°
866	5.400	5.775	0.188	5.375	0.210	P90-866	C70-866
867	5.525	5.900	0.188	5.500	0.210	P90-867	C70-867
868	5.650	6.025	0.188	5.625	0.210	P90-868	C70-868
869	5.775	6.150	0.188	5.750	0.210	P90-869	C70-869
870	5.900	6.275	0.188	5.875	0.210	P90-870	C70-870
872	6.151	6.651	0.250	6.126	0.275	P90-872	C70-872
874	6.399	6.899	0.250	6.374	0.275	P90-874	C70-874
876	6.651	7.151	0.250	6.626	0.275	P90-876	C70-876
878	6.899	7.399	0.250	6.874	0.275	P90-878	C70-878
880	7.151	7.651	0.250	7.126	0.275	P90-880	C70-880
882	7.399	7.899	0.250	7.374	0.275	P90-882	C70-882
884	7.651	8.151	0.250	7.626	0.275	P90-884	C70-884
886	7.899	8.399	0.250	7.874	0.275	P90-886	C70-886

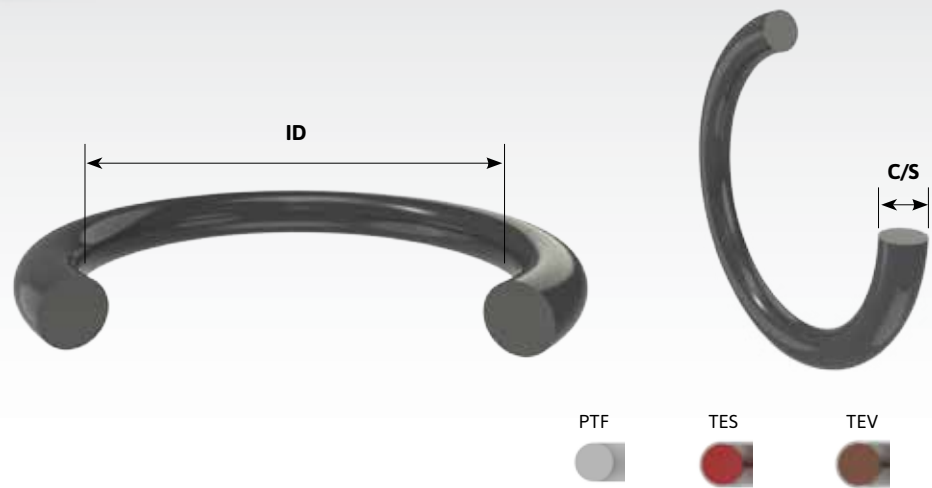


BS REF	NOMINAL			ACTUAL		PTFE VIRGIN	PTFE ENCAPSU- LATED SILICONE	PTFE ENCAPSU- LATED VITON
	ID	OD	C/S	ID	C/S	REF N°	REF N°	REF N°
001	0.031	0.094	0.031	0.029	0.040	PTF-001	TES-001	TEV-001
001.5	0.063	0.125	0.031	0.070	0.040			
002	0.047	0.141	0.047	0.042	0.050	PTF-002	TES-002	TEV-002
003	0.063	0.188	0.063	0.056	0.060	PTF-003	TES-003	TEV-003
004	0.078	0.203	0.063	0.070	0.070	PTF-004	TES-004	TEV-004
005	0.094	0.219	0.063	0.101	0.070	PTF-005	TES-005	TEV-005
006	0.125	0.250	0.063	0.114	0.070	PTF-006	TES-006	TEV-006
007	0.156	0.281	0.063	0.145	0.070	PTF-007	TES-007	TEV-007
008	0.188	0.313	0.063	0.176	0.070	PTF-008	TES-008	TEV-008
009	0.219	0.344	0.063	0.208	0.070	PTF-009	TES-009	TEV-009
010	0.250	0.375	0.063	0.239	0.070	PTF-010	TES-010	TEV-010
011	0.313	0.438	0.063	0.301	0.070	PTF-011	TES-011	TEV-011
012	0.375	0.500	0.063	0.364	0.070	PTF-012	TES-012	TEV-012
013	0.438	0.563	0.063	0.426	0.070	PTF-013	TES-013	TEV-013
014	0.500	0.625	0.063	0.489	0.070	PTF-014	TES-014	TEV-014
015	0.562	0.687	0.063	0.551	0.070	PTF-015	TES-015	TEV-015
016	0.625	0.750	0.063	0.614	0.070	PTF-016	TES-016	TEV-016
017	0.687	0.812	0.063	0.676	0.070	PTF-017	TES-017	TEV-017
018	0.750	0.875	0.063	0.739	0.070	PTF-018	TES-018	TEV-018
019	0.812	0.937	0.063	0.801	0.070	PTF-019	TES-019	TEV-019
020	0.875	1.000	0.063	0.864	0.070	PTF-020	TES-020	TEV-020
021	0.938	1.063	0.063	0.926	0.070	PTF-021	TES-021	TEV-021
022	1.000	1.125	0.063	0.989	0.070	PTF-022	TES-022	TEV-022
023	1.063	1.188	0.063	1.051	0.070	PTF-023	TES-023	TEV-023
024	1.125	1.250	0.063	1.114	0.070	PTF-024	TES-024	TEV-024
025	1.188	1.313	0.063	1.176	0.070	PTF-025	TES-025	TEV-025
026	1.250	1.375	0.063	1.239	0.070	PTF-026	TES-026	TEV-026
027	1.313	1.438	0.063	1.301	0.070	PTF-027	TES-027	TEV-027
028	1.375	1.500	0.063	1.364	0.070	PTF-028	TES-028	TEV-028
029	1.500	1.625	0.063	1.489	0.070	PTF-029	TES-029	TEV-029
030	1.625	1.750	0.063	1.614	0.070	PTF-030	TES-030	TEV-030
031	1.750	1.875	0.063	1.739	0.070	PTF-031	TES-031	TEV-031
032	1.875	2.000	0.063	1.864	0.070	PTF-032	TES-032	TEV-032
033	2.000	2.125	0.063	1.989	0.070	PTF-033	TES-033	TEV-033
034	2.125	2.250	0.063	2.114	0.070	PTF-034	TES-034	TEV-034
035	2.250	2.375	0.063	2.239	0.070	PTF-035	TES-035	TEV-035
036	2.375	2.500	0.063	2.364	0.070	PTF-036	TES-036	TEV-036
037	2.500	2.625	0.063	2.489	0.070	PTF-037	TES-037	TEV-037
038	2.625	2.750	0.063	2.614	0.070	PTF-038	TES-038	TEV-038
039	2.750	2.875	0.063	2.739	0.070	PTF-039	TES-039	TEV-039
040	2.875	3.000	0.063	2.864	0.070	PTF-040	TES-040	TEV-040



BS REF	NOMINAL			ACTUAL		PTFE VIRGIN REF N ^o	PTFE ENCAPSU- LATED SILICONE REF N ^o	PTFE ENCAPSU- LATED VITON REF N ^o
	ID	OD	C/S	ID	C/S			
041	3.000	3.125	0.063	2.989	0.070	PTF-041	TES-041	TEV-041
042	3.250	3.375	0.063	3.239	0.070	PTF-042	TES-042	TEV-042
043	3.500	3.625	0.063	3.489	0.070	PTF-043	TES-043	TEV-043
044	3.750	3.875	0.063	3.739	0.070	PTF-044	TES-044	TEV-044
045	4.000	4.125	0.063	3.989	0.070	PTF-045	TES-045	TEV-045
046	4.250	4.375	0.063	4.239	0.070	PTF-046	TES-046	TEV-046
047	4.500	4.625	0.063	4.489	0.070	PTF-047	TES-047	TEV-047
048	4.750	4.875	0.063	4.739	0.070	PTF-048	TES-048	TEV-048
049	5.000	5.125	0.063	4.989	0.070	PTF-049	TES-049	TEV-049
050	5.250	5.375	0.063	5.239	0.070	PTF-050	TES-050	TEV-050
102	0.063	0.250	0.094	0.049	0.103	PTF-102	TES-102	TEV-102
103	0.094	0.281	0.094	0.081	0.103	PTF-103	TES-103	TEV-103
104	0.125	0.313	0.094	0.112	0.103	PTF-104	TES-104	TEV-104
105	0.156	0.344	0.094	0.143	0.103	PTF-105	TES-105	TEV-105
106	0.187	0.375	0.094	0.174	0.103	PTF-106	TES-106	TEV-106
107	0.219	0.406	0.094	0.206	0.103	PTF-107	TES-107	TEV-107
108	0.250	0.438	0.094	0.237	0.103	PTF-108	TES-108	TEV-108
109	0.312	0.500	0.094	0.299	0.103	PTF-109	TES-109	TEV-109
110	0.375	0.563	0.094	0.362	0.103	PTF-110	TES-110	TEV-110
111	0.437	0.625	0.094	0.424	0.103	PTF-111	TES-111	TEV-111
112	0.500	0.688	0.094	0.487	0.103	PTF-112	TES-112	TEV-112
113	0.562	0.750	0.094	0.549	0.103	PTF-113	TES-113	TEV-113
114	0.625	0.813	0.094	0.612	0.103	PTF-114	TES-114	TEV-114
115	0.687	0.875	0.094	0.674	0.103	PTF-115	TES-115	TEV-115
116	0.750	0.938	0.094	0.737	0.103	PTF-116	TES-116	TEV-116
117	0.812	1.000	0.094	0.799	0.103	PTF-117	TES-117	TEV-117
118	0.875	1.063	0.094	0.862	0.103	PTF-118	TES-118	TEV-118
119	0.937	1.125	0.094	0.924	0.103	PTF-119	TES-119	TEV-119
120	1.000	1.188	0.094	0.987	0.103	PTF-120	TES-120	TEV-120
121	1.063	1.251	0.094	1.049	0.103	PTF-121	TES-121	TEV-121
122	1.125	1.313	0.094	1.112	0.103	PTF-122	TES-122	TEV-122
123	1.187	1.375	0.094	1.174	0.103	PTF-123	TES-123	TEV-123
124	1.250	1.438	0.094	1.237	0.103	PTF-124	TES-124	TEV-124
125	1.312	1.500	0.094	1.299	0.103	PTF-125	TES-125	TEV-125
126	1.375	1.563	0.094	1.362	0.103	PTF-126	TES-126	TEV-126
127	1.437	1.625	0.094	1.424	0.103	PTF-127	TES-127	TEV-127
128	1.500	1.688	0.094	1.487	0.103	PTF-128	TES-128	TEV-128
129	1.562	1.750	0.094	1.549	0.103	PTF-129	TES-129	TEV-129
130	1.625	1.813	0.094	1.612	0.103	PTF-130	TES-130	TEV-130
131	1.687	1.875	0.094	1.674	0.103	PTF-131	TES-131	TEV-131
132	1.750	1.938	0.094	1.737	0.103	PTF-132	TES-132	TEV-132
133	1.812	2.000	0.094	1.799	0.103	PTF-133	TES-133	TEV-133

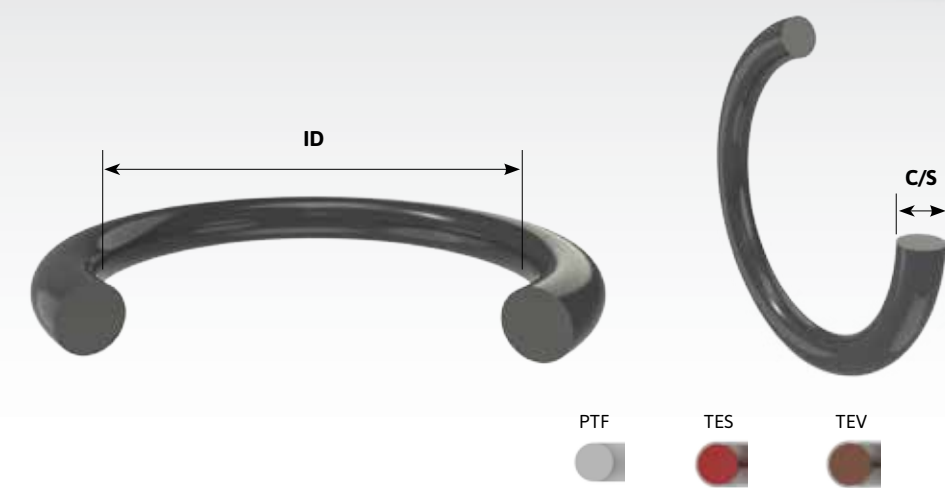
BS REF	NOMINAL			ACTUAL		PTFE VIRGIN REF N ^o	PTFE ENCAPSU- LATED SILICONE REF N ^o	PTFE ENCAPSU- LATED VITON REF N ^o
	ID	OD	C/S	ID	C/S			
134	1.875	2.063	0.094	1.862	0.103	PTF-134	TES-134	TEV-134
135	1.937	2.125	0.094	1.925	0.103	PTF-135	TES-135	TEV-135
136	2.000	2.188	0.094	1.987	0.103	PTF-136	TES-136	TEV-136
137	2.063	2.251	0.094	2.050	0.103	PTF-137	TES-137	TEV-137
138	2.125	2.313	0.094	2.112	0.103	PTF-138	TES-138	TEV-138
139	2.187	2.375	0.094	2.175	0.103	PTF-139	TES-139	TEV-139
140	2.250	2.438	0.094	2.237	0.103	PTF-140	TES-140	TEV-140
141	2.312	2.500	0.094	2.300	0.103	PTF-141	TES-141	TEV-141
142	2.375	2.563	0.094	2.362	0.103	PTF-142	TES-142	TEV-142
143	2.437	2.625	0.094	2.425	0.103	PTF-143	TES-143	TEV-143
144	2.500	2.688	0.094	2.487	0.103	PTF-144	TES-144	TEV-144
145	2.562	2.750	0.094	2.550	0.103	PTF-145	TES-145	TEV-145
146	2.625	2.813	0.094	2.612	0.103	PTF-146	TES-146	TEV-146
147	2.687	2.875	0.094	2.675	0.103	PTF-147	TES-147	TEV-147
148	2.750	2.938	0.094	2.737	0.103	PTF-148	TES-148	TEV-148
149	2.812	3.000	0.094	2.800	0.103	PTF-149	TES-149	TEV-149
150	2.875	3.063	0.094	2.862	0.103	PTF-150	TES-150	TEV-150
151	3.000	3.188	0.094	2.987	0.103	PTF-151	TES-151	TEV-151
152	3.250	3.438	0.094	3.237	0.103	PTF-152	TES-152	TEV-152
153	3.500	3.688	0.094	3.487	0.103	PTF-153	TES-153	TEV-153
154	3.750	3.938	0.094	3.737	0.103	PTF-154	TES-154	TEV-154
155	4.000	4.188	0.094	3.987	0.103	PTF-155	TES-155	TEV-155
156	4.250	4.438	0.094	4.237	0.103	PTF-156	TES-156	TEV-156
157	4.500	4.688	0.094	4.487	0.103	PTF-157	TES-157	TEV-157
158	4.750	4.938	0.094	4.737	0.103	PTF-158	TES-158	TEV-158
159	5.000	5.188	0.094	4.987	0.103	PTF-159	TES-159	TEV-159
160	5.250	5.438	0.094	5.237	0.103	PTF-160	TES-160	TEV-160
161	5.500	5.688	0.094	5.487	0.103	PTF-161	TES-161	TEV-161
162	5.750	5.938	0.094	5.737	0.103	PTF-162	TES-162	TEV-162
163	6.000	6.188	0.094	5.987	0.103	PTF-163	TES-163	TEV-163
164	6.250	6.438	0.094	6.237	0.103	PTF-164	TES-164	TEV-164
165	6.500	6.688	0.094	6.487	0.103	PTF-165	TES-165	TEV-165
166	6.750	6.938	0.094	6.737	0.103	PTF-166	TES-166	TEV-166
167	7.000	7.188	0.094	6.987	0.103	PTF-167	TES-167	TEV-167
168	7.250	7.438	0.094	7.237	0.103	PTF-168	TES-168	TEV-168
169	7.500	7.688	0.094	7.487	0.103	PTF-169	TES-169	TEV-169
170	7.750	7.938	0.094	7.737	0.103	PTF-170	TES-170	TEV-170
171	8.000	8.188	0.094	7.987	0.103	PTF-171	TES-171	TEV-171
172	8.250	8.438	0.094	8.237	0.103	PTF-172	TES-172	TEV-172
173	8.500	8.688	0.094	8.487	0.103	PTF-173	TES-173	TEV-173
174	8.750	8.938	0.094	8.737	0.103	PTF-174	TES-174	TEV-174



PTF
TES
TEV

PTFE VIRGIN
PTFE ENCAPSU- LATED SILICONE
PTFE ENCAPSU- LATED VITON

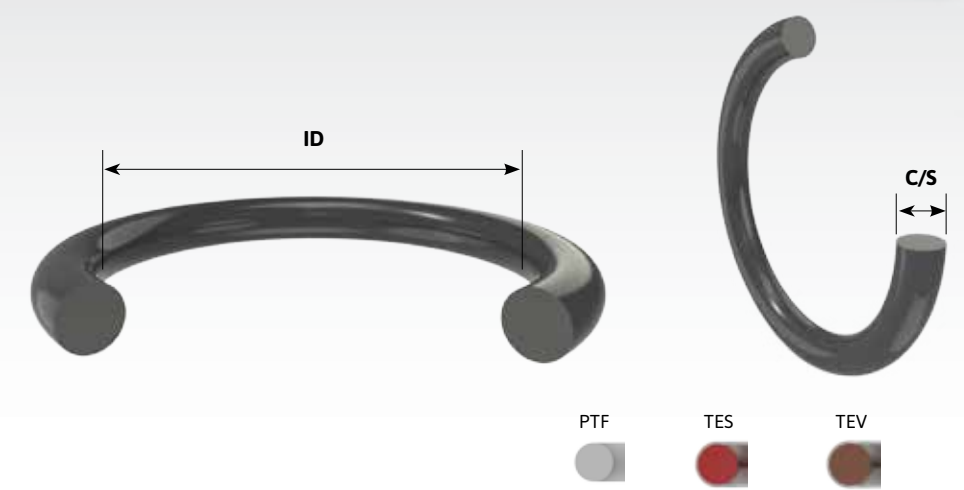
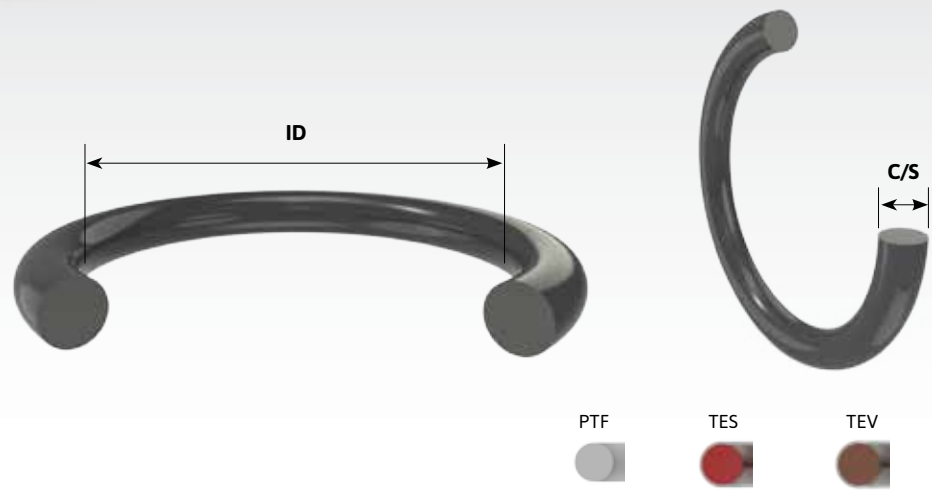
BS REF	NOMINAL			ACTUAL		REF N ^o	REF N ^o	REF N ^o
	ID	OD	C/S	ID	C/S			
175	9.000	9.188	0.094	8.987	0.103	PTF-175	TES-175	TEV-175
176	9.250	9.438	0.094	9.237	0.103	PTF-176	TES-176	TEV-176
177	9.500	9.688	0.094	9.487	0.103	PTF-177	TES-177	TEV-177
178	9.750	9.938	0.094	9.737	0.103	PTF-178	TES-178	TEV-178
201	0.187	0.437	0.125	0.171	0.139	PTF-201	TES-201	TEV-201
202	0.250	0.500	0.125	0.234	0.139	PTF-202	TES-202	TEV-202
203	0.312	0.562	0.125	0.296	0.139	PTF-203	TES-203	TEV-203
204	0.375	0.625	0.125	0.359	0.139	PTF-204	TES-204	TEV-204
205	0.437	0.687	0.125	0.421	0.139	PTF-205	TES-205	TEV-205
206	0.500	0.750	0.125	0.484	0.139	PTF-206	TES-206	TEV-206
207	0.562	0.812	0.125	0.546	0.139	PTF-207	TES-207	TEV-207
208	0.625	0.875	0.125	0.609	0.139	PTF-208	TES-208	TEV-208
209	0.687	0.937	0.125	0.671	0.139	PTF-209	TES-209	TEV-209
210	0.750	1.000	0.125	0.734	0.139	PTF-210	TES-210	TEV-210
211	0.812	1.062	0.125	0.796	0.139	PTF-211	TES-211	TEV-211
212	0.875	1.125	0.125	0.859	0.139	PTF-212	TES-212	TEV-212
213	0.937	1.187	0.125	0.921	0.139	PTF-213	TES-213	TEV-213
214	1.000	1.250	0.125	0.984	0.139	PTF-214	TES-214	TEV-214
215	1.063	1.313	0.125	1.046	0.139	PTF-215	TES-215	TEV-215
216	1.125	1.375	0.125	1.109	0.139	PTF-216	TES-216	TEV-216
217	1.187	1.437	0.125	1.171	0.139	PTF-217	TES-217	TEV-217
218	1.250	1.500	0.125	1.234	0.139	PTF-218	TES-218	TEV-218
219	1.312	1.562	0.125	1.296	0.139	PTF-219	TES-219	TEV-219
220	1.375	1.625	0.125	1.359	0.139	PTF-220	TES-220	TEV-220
221	1.437	1.687	0.125	1.421	0.139	PTF-221	TES-221	TEV-221
222	1.500	1.750	0.125	1.484	0.139	PTF-222	TES-222	TEV-222
223	1.625	1.875	0.125	1.609	0.139	PTF-223	TES-223	TEV-223
224	1.750	2.000	0.125	1.734	0.139	PTF-224	TES-224	TEV-224
225	1.875	2.125	0.125	1.859	0.139	PTF-225	TES-225	TEV-225
226	2.000	2.250	0.125	1.984	0.139	PTF-226	TES-226	TEV-226
227	2.125	2.375	0.125	2.109	0.139	PTF-227	TES-227	TEV-227
228	2.250	2.500	0.125	2.234	0.139	PTF-228	TES-228	TEV-228
229	2.375	2.625	0.125	2.359	0.139	PTF-229	TES-229	TEV-229
230	2.500	2.750	0.125	2.484	0.139	PTF-230	TES-230	TEV-230
231	2.625	2.875	0.125	2.609	0.139	PTF-231	TES-231	TEV-231
232	2.750	3.000	0.125	2.734	0.139	PTF-232	TES-232	TEV-232
233	2.875	3.125	0.125	2.859	0.139	PTF-233	TES-233	TEV-233
234	3.000	3.250	0.125	2.984	0.139	PTF-234	TES-234	TEV-234
235	3.125	3.375	0.125	3.109	0.139	PTF-235	TES-235	TEV-235
236	3.250	3.500	0.125	3.234	0.139	PTF-236	TES-236	TEV-236
237	3.375	3.625	0.125	3.359	0.139	PTF-237	TES-237	TEV-237



PTF
TES
TEV

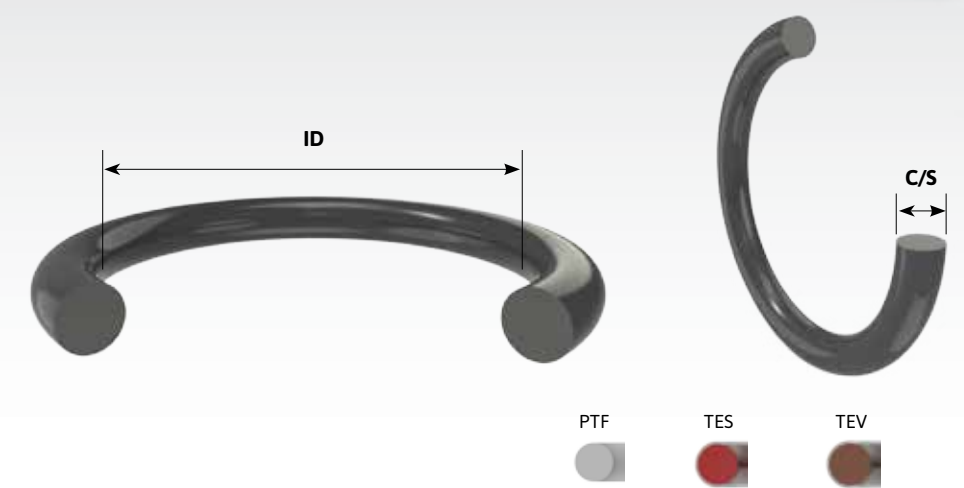
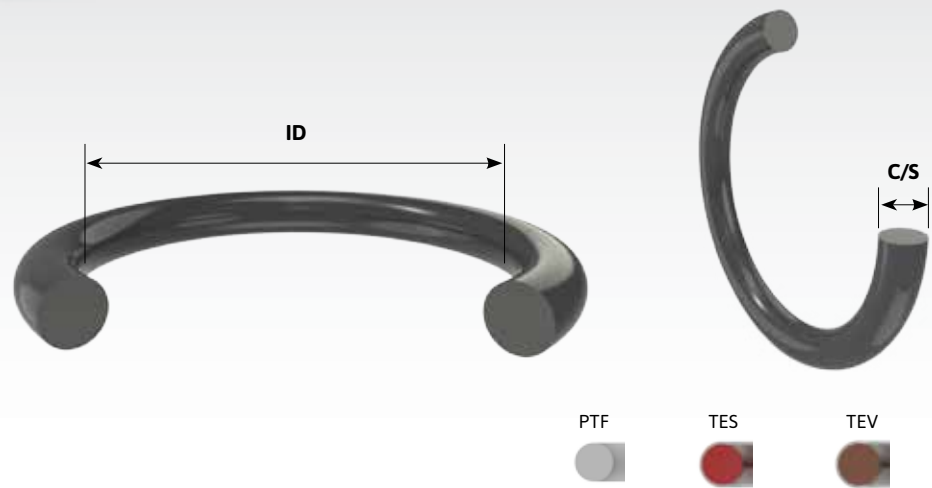
PTFE VIRGIN
PTFE ENCAPSU- LATED SILICONE
PTFE ENCAPSU- LATED VITON

BS REF	NOMINAL			ACTUAL		REF N ^o	REF N ^o	REF N ^o
	ID	OD	C/S	ID	C/S			
238	3.500	3.750	0.125	3.484	0.139	PTF-238	TES-238	TEV-238
239	3.625	3.875	0.125	3.609	0.139	PTF-239	TES-239	TEV-239
240	3.750	4.000	0.125	3.734	0.139	PTF-240	TES-240	TEV-240
241	3.875	4.125	0.125	3.859	0.139	PTF-241	TES-241	TEV-241
242	4.000	4.250	0.125	3.984	0.139	PTF-242	TES-242	TEV-242
243	4.125	4.375	0.125	4.109	0.139	PTF-243	TES-243	TEV-243
244	4.250	4.500	0.125	4.234	0.139	PTF-244	TES-244	TEV-244
245	4.375	4.625	0.125	4.359	0.139	PTF-245	TES-245	TEV-245
246	4.500	4.750	0.125	4.484	0.139	PTF-246	TES-246	TEV-246
247	4.625	4.875	0.125	4.609	0.139	PTF-247	TES-247	TEV-247
248	4.750	5.000	0.125	4.734	0.139	PTF-248	TES-248	TEV-248
249	4.875	5.125	0.125	4.859	0.139	PTF-249	TES-249	TEV-249
250	5.000	5.250	0.125	4.984	0.139	PTF-250	TES-250	TEV-250
251	5.125	5.375	0.125	5.109	0.139	PTF-251	TES-251	TEV-251
252	5.250	5.500	0.125	5.234	0.139	PTF-252	TES-252	TEV-252
253	5.375	5.625	0.125	5.359	0.139	PTF-253	TES-253	TEV-253
254	5.500	5.750	0.125	5.484	0.139	PTF-254	TES-254	TEV-254
255	5.625	5.875	0.125	5.609	0.139	PTF-255	TES-255	TEV-255
256	5.750	6.000	0.125	5.734	0.139	PTF-256	TES-256	TEV-256
257	5.875	6.125	0.125	5.859	0.139	PTF-257	TES-257	TEV-257
258	6.000	6.250	0.125	5.984	0.139	PTF-258	TES-258	TEV-258
259	6.250	6.500	0.125	6.234	0.139	PTF-259	TES-259	TEV-259
260	6.500	6.750	0.125	6.484	0.139	PTF-260	TES-260	TEV-260
261	6.750	7.000	0.125	6.734	0.139	PTF-261	TES-261	TEV-261
262	7.000	7.250	0.125	6.984	0.139	PTF-262	TES-262	TEV-262
263	7.250	7.500	0.125	7.234	0.139	PTF-263	TES-263	TEV-263
264	7.500	7.750	0.125	7.484	0.139	PTF-264	TES-264	TEV-264
265	7.750	8.000	0.125	7.734	0.139	PTF-265	TES-265	TEV-265
266	8.000	8.250	0.125	7.984	0.139	PTF-266	TES-266	TEV-266
267	8.250	8.500	0.125	8.234	0.139	PTF-267	TES-267	TEV-267
268	8.500	8.750	0.125	8.484	0.139	PTF-268	TES-268	TEV-268
269	8.750	9.000	0.125	8.734	0.139	PTF-269	TES-269	TEV-269
270	9.000	9.250	0.125	8.984	0.139	PTF-270	TES-270	TEV-270
271	9.250	9.500	0.125	9.234	0.139	PTF-271	TES-271	TEV-271
272	9.500	9.750	0.125	9.484	0.139	PTF-272	TES-272	TEV-272
273	9.750	10.000	0.125	9.734	0.139	PTF-273	TES-273	TEV-273
274	10.000	10.250	0.125	9.984	0.139	PTF-274	TES-274	TEV-274
275	10.500	10.750	0.125	10.484	0.139	PTF-275	TES-275	TEV-275
276	11.000	11.250	0.125	10.984	0.139	PTF-276	TES-276	TEV-276
277	11.500	11.750	0.125	11.484	0.139	PTF-277	TES-277	TEV-277
278	12.000	12.250	0.125	11.984	0.139	PTF-278	TES-278	TEV-278



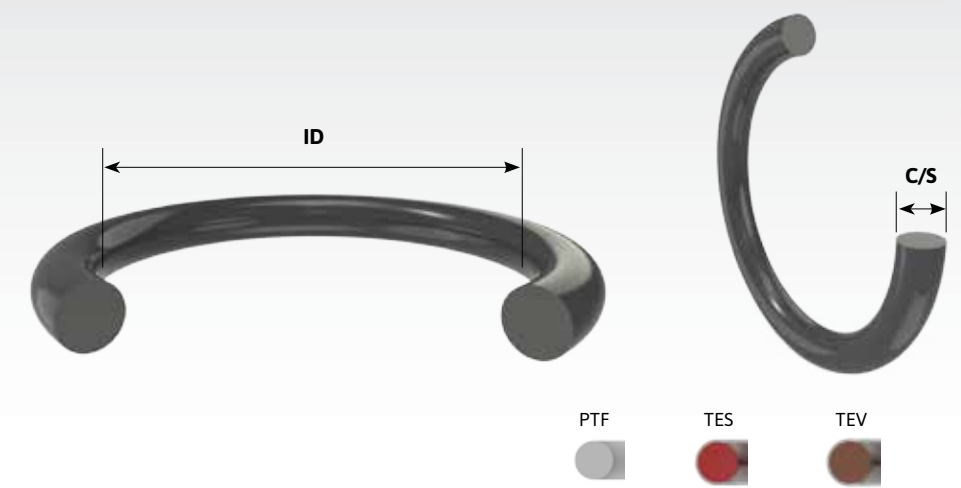
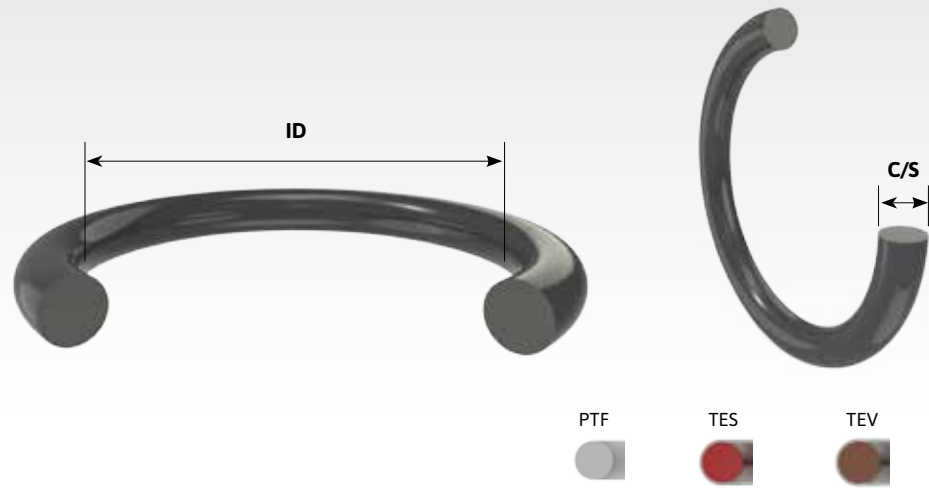
BS REF	NOMINAL			ACTUAL		PTF VIRGIN REF N ^o	PTFE ENCAPSU- LATED SILICONE REF N ^o	PTFE ENCAPSU- LATED VITON REF N ^o
	ID	OD	C/S	ID	C/S			
279	13.000	13.250	0.125	12.984	0.139	PTF-279	TES-279	TEV-279
280	14.000	14.250	0.125	13.984	0.139	PTF-280	TES-280	TEV-280
281	15.000	15.250	0.125	14.984	0.139	PTF-281	TES-281	TEV-281
282	16.000	16.250	0.125	15.955	0.139	PTF-282	TES-282	TEV-282
283	17.000	17.250	0.125	16.955	0.139	PTF-283	TES-283	TEV-283
284	18.000	18.250	0.125	17.955	0.139	PTF-284	TES-284	TEV-284
309	0.437	0.812	0.188	0.412	0.210	PTF-309	TES-309	TEV-309
310	0.500	0.875	0.188	0.475	0.210	PTF-310	TES-310	TEV-310
311	0.562	0.937	0.188	0.537	0.210	PTF-311	TES-311	TEV-311
312	0.625	1.000	0.188	0.600	0.210	PTF-312	TES-312	TEV-312
313	0.687	1.062	0.188	0.662	0.210	PTF-313	TES-313	TEV-313
314	0.750	1.125	0.188	0.725	0.210	PTF-314	TES-314	TEV-314
315	0.812	1.187	0.188	0.787	0.210	PTF-315	TES-315	TEV-315
316	0.875	1.250	0.188	0.850	0.210	PTF-316	TES-316	TEV-316
317	0.937	1.312	0.188	0.912	0.210	PTF-317	TES-317	TEV-317
318	1.000	1.375	0.188	0.975	0.210	PTF-318	TES-318	TEV-318
319	1.062	1.437	0.188	1.037	0.210	PTF-319	TES-319	TEV-319
320	1.125	1.500	0.188	1.100	0.210	PTF-320	TES-320	TEV-320
321	1.187	1.562	0.188	1.162	0.210	PTF-321	TES-321	TEV-321
322	1.250	1.625	0.188	1.225	0.210	PTF-322	TES-322	TEV-322
323	1.312	1.687	0.188	1.287	0.210	PTF-323	TES-323	TEV-323
324	1.375	1.750	0.188	1.350	0.210	PTF-324	TES-324	TEV-324
325	1.500	1.875	0.188	1.475	0.210	PTF-325	TES-325	TEV-325
326	1.625	2.000	0.188	1.600	0.210	PTF-326	TES-326	TEV-326
327	1.750	2.125	0.188	1.725	0.210	PTF-327	TES-327	TEV-327
328	1.875	2.250	0.188	1.850	0.210	PTF-328	TES-328	TEV-328
329	2.000	2.375	0.188	1.975	0.210	PTF-329	TES-329	TEV-329
330	2.125	2.500	0.188	2.100	0.210	PTF-330	TES-330	TEV-330
331	2.250	2.625	0.188	2.225	0.210	PTF-331	TES-331	TEV-331
332	2.375	2.750	0.188	2.350	0.210	PTF-332	TES-332	TEV-332
333	2.500	2.875	0.188	2.475	0.210	PTF-333	TES-333	TEV-333
334	2.625	3.000	0.188	2.600	0.210	PTF-334	TES-334	TEV-334
335	2.750	3.125	0.188	2.725	0.210	PTF-335	TES-335	TEV-335
336	2.875	3.250	0.188	2.850	0.210	PTF-336	TES-336	TEV-336
337	3.000	3.375	0.188	2.975	0.210	PTF-337	TES-337	TEV-337
338	3.125	3.500	0.188	3.100	0.210	PTF-338	TES-338	TEV-338
339	3.250	3.625	0.188	3.225	0.210	PTF-339	TES-339	TEV-339
340	3.375	3.750	0.188	3.350	0.210	PTF-340	TES-340	TEV-340
341	3.500	3.875	0.188	3.475	0.210	PTF-341	TES-341	TEV-341
342	3.625	4.000	0.188	3.600	0.210	PTF-342	TES-342	TEV-342
343	3.750	4.125	0.188	3.725	0.210	PTF-343	TES-343	TEV-343

BS REF	NOMINAL			ACTUAL		PTF VIRGIN REF N ^o	PTFE ENCAPSU- LATED SILICONE REF N ^o	PTFE ENCAPSU- LATED VITON REF N ^o
	ID	OD	C/S	ID	C/S			
344	3.875	4.250	0.188	3.850	0.210	PTF-344	TES-344	TEV-344
345	4.000	4.375	0.188	3.975	0.210	PTF-345	TES-345	TEV-345
346	4.125	4.500	0.188	4.100	0.210	PTF-346	TES-346	TEV-346
347	4.250	4.625	0.188	4.225	0.210	PTF-347	TES-347	TEV-347
348	4.375	4.750	0.188	4.350	0.210	PTF-348	TES-348	TEV-348
349	4.500	4.875	0.188	4.475	0.210	PTF-349	TES-349	TEV-349
350	4.625	5.000	0.188	4.600	0.210	PTF-350	TES-350	TEV-350
351	4.750	5.125	0.188	4.725	0.210	PTF-351	TES-351	TEV-351
352	4.875	5.250	0.188	4.850	0.210	PTF-352	TES-352	TEV-352
353	5.000	5.375	0.188	4.975	0.210	PTF-353	TES-353	TEV-353
354	5.125	5.500	0.188	5.100	0.210	PTF-354	TES-354	TEV-354
355	5.250	5.625	0.188	5.225	0.210	PTF-355	TES-355	TEV-355
356	5.375	5.750	0.188	5.350	0.210	PTF-356	TES-356	TEV-356
357	5.500	5.875	0.188	5.475	0.210	PTF-357	TES-357	TEV-357
358	5.625	6.000	0.188	5.600	0.210	PTF-358	TES-358	TEV-358
359	5.750	6.125	0.188	5.725	0.210	PTF-359	TES-359	TEV-359
360	5.875	6.250	0.188	5.850	0.210	PTF-360	TES-360	TEV-360
361	6.000	6.375	0.188	5.975	0.210	PTF-361	TES-361	TEV-361
362	6.250	6.625	0.188	6.225	0.210	PTF-362	TES-362	TEV-362
363	6.500	6.875	0.188	6.475	0.210	PTF-363	TES-363	TEV-363
364	6.750	7.125	0.188	6.725	0.210	PTF-364	TES-364	TEV-364
365	7.000	7.375	0.188	6.975	0.210	PTF-365	TES-365	TEV-365
366	7.250	7.625	0.188	7.225	0.210	PTF-366	TES-366	TEV-366
367	7.500	7.875	0.188	7.475	0.210	PTF-367	TES-367	TEV-367
368	7.750	8.125	0.188	7.725	0.210	PTF-368	TES-368	TEV-368
369	8.000	8.375	0.188	7.975	0.210	PTF-369	TES-369	TEV-369
370	8.250	8.625	0.188	8.225	0.210	PTF-370	TES-370	TEV-370
371	8.500	8.875	0.188	8.475	0.210	PTF-371	TES-371	TEV-371
372	8.750	9.125	0.188	8.725	0.210	PTF-372	TES-372	TEV-372
373	9.000	9.375	0.188	8.975	0.210	PTF-373	TES-373	TEV-373
374	9.250	9.625	0.188	9.225	0.210	PTF-374	TES-374	TEV-374
375	9.500	9.875	0.188	9.475	0.210	PTF-375	TES-375	TEV-375
376	9.750	10.125	0.188	9.725	0.210	PTF-376	TES-376	TEV-376
377	10.000	10.375	0.188	9.975	0.210	PTF-377	TES-377	TEV-377
378	10.500	10.875	0.188	10.475	0.210	PTF-378	TES-378	TEV-378
379	11.000	11.375	0.188	10.975	0.210	PTF-379	TES-379	TEV-379
380	11.500	11.875	0.188	11.475	0.210	PTF-380	TES-380	TEV-380
381	12.000	12.375	0.188	11.975	0.210	PTF-381	TES-381	TEV-381
382	13.000	13.375	0.188	12.975	0.210	PTF-382	TES-382	TEV-382
383	14.000	14.375	0.188	13.975	0.210	PTF-383	TES-383	TEV-383
384	15.000	15.375	0.188	14.975	0.210	PTF-384	TES-384	TEV-384



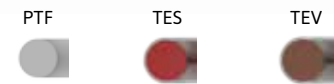
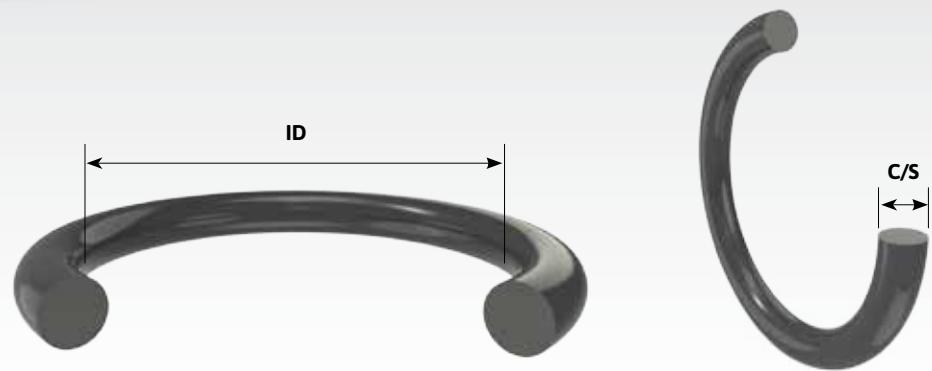
BS REF	NOMINAL			ACTUAL		PTF VIRGIN REF N ^o	PTFE ENCAPSU- LATED SILICONE REF N ^o	PTFE ENCAPSU- LATED VITON REF N ^o
	ID	OD	C/S	ID	C/S			
385	16.000	16.375	0.188	15.955	0.210	PTF-385	TES-385	TEV-385
386	17.000	17.375	0.188	16.955	0.210	PTF-386	TES-386	TEV-386
387	18.000	18.375	0.188	17.955	0.210	PTF-387	TES-387	TEV-387
388	19.000	19.375	0.188	18.955	0.210	PTF-388	TES-388	TEV-388
389	20.000	20.375	0.188	19.955	0.210	PTF-389	TES-389	TEV-389
390	21.000	21.375	0.188	20.955	0.210	PTF-390	TES-390	TEV-390
391	22.000	22.375	0.188	21.955	0.210	PTF-391	TES-391	TEV-391
392	23.000	23.375	0.188	22.940	0.210	PTF-392	TES-392	TEV-392
393	24.000	24.375	0.188	23.940	0.210	PTF-393	TES-393	TEV-393
394	25.000	25.375	0.188	24.940	0.210	PTF-394	TES-394	TEV-394
395	26.000	26.375	0.188	25.940	0.210	PTF-395	TES-395	TEV-395
401	1.500	2.000	0.250	1.475	0.275	PTF-401	TES-401	TEV-401
403	1.750	2.250	0.250	1.725	0.275	PTF-403	TES-403	TEV-403
404	1.875	2.375	0.250	1.850	0.275	PTF-404	TES-404	TEV-404
405	2.000	2.500	0.250	1.975	0.275	PTF-405	TES-405	TEV-405
407	2.250	2.750	0.250	2.225	0.275	PTF-407	TES-407	TEV-407
408	2.375	2.875	0.250	2.350	0.275	PTF-408	TES-408	TEV-408
409	2.500	3.000	0.250	2.475	0.275	PTF-409	TES-409	TEV-409
410	2.625	3.125	0.250	2.600	0.275	PTF-410	TES-410	TEV-410
411	2.750	3.250	0.250	2.725	0.275	PTF-411	TES-411	TEV-411
412	2.875	3.375	0.250	2.850	0.275	PTF-412	TES-412	TEV-412
413	3.000	3.500	0.250	2.975	0.275	PTF-413	TES-413	TEV-413
414	3.125	3.625	0.250	3.100	0.275	PTF-414	TES-414	TEV-414
415	3.250	3.750	0.250	3.225	0.275	PTF-415	TES-415	TEV-415
416	3.375	3.875	0.250	3.350	0.275	PTF-416	TES-416	TEV-416
417	3.500	4.000	0.250	3.475	0.275	PTF-417	TES-417	TEV-417
418	3.625	4.125	0.250	3.600	0.275	PTF-418	TES-418	TEV-418
419	3.750	4.250	0.250	3.725	0.275	PTF-419	TES-419	TEV-419
420	3.875	4.375	0.250	3.850	0.275	PTF-420	TES-420	TEV-420
421	4.000	4.500	0.250	3.975	0.275	PTF-421	TES-421	TEV-421
422	4.125	4.625	0.250	4.100	0.275	PTF-422	TES-422	TEV-422
423	4.250	4.750	0.250	4.225	0.275	PTF-423	TES-423	TEV-423
424	4.375	4.875	0.250	4.350	0.275	PTF-424	TES-424	TEV-424
425	4.500	5.000	0.250	4.475	0.275	PTF-425	TES-425	TEV-425
426	4.625	5.125	0.250	4.600	0.275	PTF-426	TES-426	TEV-426
427	4.750	5.250	0.250	4.725	0.275	PTF-427	TES-427	TEV-427
428	4.875	5.375	0.250	4.850	0.275	PTF-428	TES-428	TEV-428
429	5.000	5.500	0.250	4.975	0.275	PTF-429	TES-429	TEV-429
430	5.125	5.625	0.250	5.100	0.275	PTF-430	TES-430	TEV-430
431	5.250	5.750	0.250	5.225	0.275	PTF-431	TES-431	TEV-431
432	5.375	5.875	0.250	5.350	0.275	PTF-432	TES-432	TEV-432

BS REF	NOMINAL			ACTUAL		PTF VIRGIN REF N ^o	PTFE ENCAPSU- LATED SILICONE REF N ^o	PTFE ENCAPSU- LATED VITON REF N ^o
	ID	OD	C/S	ID	C/S			
433	5.500	6.000	0.250	5.475	0.275	PTF-433	TES-433	TEV-433
434	5.625	6.125	0.250	5.600	0.275	PTF-434	TES-434	TEV-434
435	5.750	6.250	0.250	5.725	0.275	PTF-435	TES-435	TEV-435
436	5.875	6.375	0.250	5.850	0.275	PTF-436	TES-436	TEV-436
437	6.000	6.500	0.250	5.975	0.275	PTF-437	TES-437	TEV-437
438	6.250	6.750	0.250	6.225	0.275	PTF-438	TES-438	TEV-438
439	6.500	7.000	0.250	6.475	0.275	PTF-439	TES-439	TEV-439
440	6.750	7.250	0.250	6.725	0.275	PTF-440	TES-440	TEV-440
441	7.000	7.500	0.250	6.975	0.275	PTF-441	TES-441	TEV-441
442	7.250	7.750	0.250	7.225	0.275	PTF-442	TES-442	TEV-442
443	7.500	8.000	0.250	7.475	0.275	PTF-443	TES-443	TEV-443
444	7.750	8.250	0.250	7.725	0.275	PTF-444	TES-444	TEV-444
445	8.000	8.500	0.250	7.975	0.275	PTF-445	TES-445	TEV-445
445A	8.250	8.750	0.250	8.225	0.275	PTF-445A	TES-445A	TEV-445A
446	8.500	9.000	0.250	8.475	0.275	PTF-446	TES-446	TEV-446
446A	8.750	9.250	0.250	8.725	0.275	PTF-446A	TES-446A	TEV-446A
447	9.000	9.500	0.250	8.975	0.275	PTF-447	TES-447	TEV-447
447A	9.250	9.750	0.250	9.225	0.275	PTF-447A	TES-447A	TEV-447A
448	9.500	10.000	0.250	9.475	0.275	PTF-448	TES-448	TEV-448
448A	9.750	10.250	0.250	9.725	0.275	PTF-448A	TES-448A	TEV-448A
449	10.000	10.500	0.250	9.975	0.275	PTF-449	TES-449	TEV-449
449A	10.250	10.750	0.250	10.225	0.275	PTF-449A	TES-449A	TEV-449A
450	10.500	11.000	0.250	10.475	0.275	PTF-450	TES-450	TEV-450
450A	10.750	11.250	0.250	10.725	0.275	PTF-450A	TES-450A	TEV-450A
451	11.000	11.500	0.250	10.975	0.275	PTF-451	TES-451	TEV-451
451A	11.250	11.750	0.250	11.225	0.275	PTF-451A	TES-451A	TEV-451A
452	11.500	12.000	0.250	11.475	0.275	PTF-452	TES-452	TEV-452
452A	11.750	12.250	0.250	11.725	0.275	PTF-452A	TES-452A	TEV-452A
453	12.000	12.500	0.250	11.975	0.275	PTF-453	TES-453	TEV-453
453A	12.250	12.750	0.250	12.225	0.275	PTF-453A	TES-453A	TEV-453A
454	12.500	13.000	0.250	12.475	0.275	PTF-454	TES-454	TEV-454
455	13.000	13.500	0.250	12.975	0.275	PTF-455	TES-455	TEV-455
455A	13.250	13.750	0.250	13.225	0.275	PTF-455A	TES-455A	TEV-455A
456	13.500	14.000	0.250	13.475	0.275	PTF-456	TES-456	TEV-456
457	14.000	14.500	0.250	13.975	0.275	PTF-457	TES-457	TEV-457
458	14.500	15.000	0.250	14.475	0.275	PTF-458	TES-458	TEV-458
459	15.000	15.500	0.250	14.975	0.275	PTF-459	TES-459	TEV-459
460	15.500	16.000	0.250	15.475	0.275	PTF-460	TES-460	TEV-460
461	16.000	16.500	0.250	15.955	0.275	PTF-461	TES-461	TEV-461
462	16.500	17.000	0.250	16.455	0.275	PTF-462	TES-462	TEV-462
463	17.000	17.500	0.250	16.955	0.275	PTF-463	TES-463	TEV-463



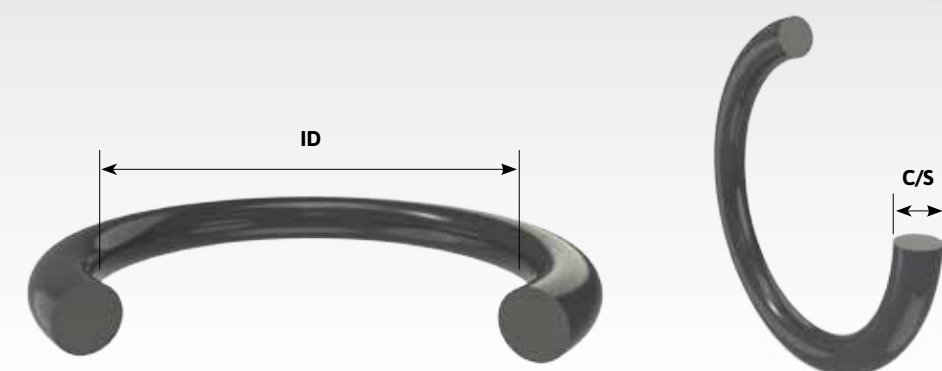
BS REF	NOMINAL			ACTUAL		PTF VIRGIN REF N ^o	PTFE ENCAPSU- LATED SILICONE REF N ^o	PTFE ENCAPSU- LATED VITON REF N ^o
	ID	OD	C/S	ID	C/S			
464	17.500	18.000	0.250	17.455	0.275	PTF-464	TES-464	TEV-464
465	18.000	18.500	0.250	17.955	0.275	PTF-465	TES-465	TEV-465
466	18.500	19.000	0.250	18.455	0.275	PTF-466	TES-466	TEV-466
467	19.000	19.500	0.250	18.955	0.275	PTF-467	TES-467	TEV-467
468	19.500	20.000	0.250	19.455	0.275	PTF-468	TES-468	TEV-468
469	20.000	20.500	0.250	19.955	0.275	PTF-469	TES-469	TEV-469
470	21.000	21.500	0.250	20.955	0.275	PTF-470	TES-470	TEV-470
471	22.000	22.500	0.250	21.955	0.275	PTF-471	TES-471	TEV-471
472	23.000	23.500	0.250	22.940	0.275	PTF-472	TES-472	TEV-472
473	24.000	24.500	0.250	23.940	0.275	PTF-473	TES-473	TEV-473
474	25.000	25.500	0.250	24.940	0.275	PTF-474	TES-474	TEV-474
475	26.000	26.500	0.250	25.940	0.275	PTF-475	TES-475	TEV-475
517	1.438	1.564	0.063	1.428	0.070	PTF-517	TES-517	TEV-517
519	1.563	1.689	0.063	1.553	0.070	PTF-519	TES-519	TEV-519
532	3.120	3.246	0.063	3.110	0.070	PTF-532	TES-532	TEV-532
534	3.370	3.496	0.063	3.360	0.070	PTF-534	TES-534	TEV-534
536	3.620	3.746	0.063	3.610	0.070	PTF-536	TES-536	TEV-536
538	3.870	3.996	0.063	3.860	0.070	PTF-538	TES-538	TEV-538
540	4.120	4.246	0.063	4.110	0.070	PTF-540	TES-540	TEV-540
542	4.370	4.496	0.063	4.360	0.070	PTF-542	TES-542	TEV-542
544	4.620	4.746	0.063	4.610	0.070	PTF-544	TES-544	TEV-544
546	4.870	4.996	0.063	4.860	0.070	PTF-546	TES-546	TEV-546
548	5.105	5.231	0.063	5.095	0.070	PTF-548	TES-548	TEV-548
550	5.355	5.481	0.063	5.345	0.070	PTF-550	TES-550	TEV-550
551	5.480	5.606	0.063	5.470	0.070	PTF-551	TES-551	TEV-551
552	5.605	5.731	0.063	5.595	0.070	PTF-552	TES-552	TEV-552
553	5.730	5.856	0.063	5.720	0.070	PTF-553	TES-553	TEV-553
554	5.855	5.981	0.063	5.845	0.070	PTF-554	TES-554	TEV-554
555	5.980	6.106	0.063	5.970	0.070	PTF-555	TES-555	TEV-555
556	6.105	6.231	0.063	6.095	0.070	PTF-556	TES-556	TEV-556
557	6.230	6.356	0.063	6.220	0.070	PTF-557	TES-557	TEV-557
558	6.355	6.481	0.063	6.345	0.070	PTF-558	TES-558	TEV-558
559	6.480	6.606	0.063	6.470	0.070	PTF-559	TES-559	TEV-559
560	6.605	6.731	0.063	6.595	0.070	PTF-560	TES-560	TEV-560
561	6.730	6.856	0.063	6.720	0.070	PTF-561	TES-561	TEV-561
562	6.855	6.981	0.063	6.845	0.070	PTF-562	TES-562	TEV-562
606	0.080	0.206	0.063	0.070	0.070	PTF-606	TES-606	TEV-606
607	0.093	0.165	0.036	0.100	0.040	PTF-607	TES-607	TEV-607
610	0.276	0.402	0.063	0.266	0.070	PTF-610	TES-610	TEV-610
611	0.354	0.480	0.063	0.344	0.070	PTF-611	TES-611	TEV-611
613	0.405	0.592	0.094	0.391	0.103	PTF-613	TES-613	TEV-613

BS REF	NOMINAL			ACTUAL		PTF VIRGIN REF N ^o	PTFE ENCAPSU- LATED SILICONE REF N ^o	PTFE ENCAPSU- LATED VITON REF N ^o
	ID	OD	C/S	ID	C/S			
614	0.483	0.670	0.094	0.469	0.103	PTF-614	TES-614	TEV-614
616	0.608	0.795	0.094	0.594	0.103	PTF-616	TES-616	TEV-616
617	0.715	0.902	0.094	0.701	0.103	PTF-617	TES-617	TEV-617
618	1.000	1.250	0.125	1.016	0.139	PTF-618	TES-618	TEV-618
619	2.963	3.338	0.188	2.938	0.210	PTF-619	TES-619	TEV-619
620	3.165	3.540	0.188	3.140	0.210	PTF-620	TES-620	TEV-620
621	3.556	3.931	0.188	3.531	0.210	PTF-621	TES-621	TEV-621
622	3.962	4.337	0.188	3.937	0.210	PTF-622	TES-622	TEV-622
623	4.338	4.713	0.188	4.313	0.210	PTF-623	TES-623	TEV-623
624	4.541	5.041	0.250	4.516	0.275	PTF-624	TES-624	TEV-624
625	4.931	5.431	0.250	4.906	0.275	PTF-625	TES-625	TEV-625
626	5.320	5.820	0.250	5.295	0.275	PTF-626	TES-626	TEV-626
627	6.305	6.805	0.250	6.280	0.275	PTF-627	TES-627	TEV-627
628	6.588	7.088	0.250	6.563	0.275	PTF-628	TES-628	TEV-628
640	2.938	3.125	0.094	2.924	0.103	PTF-640	TES-640	TEV-640
641	3.063	3.250	0.094	3.049	0.103	PTF-641	TES-641	TEV-641
642	3.188	3.375	0.094	3.174	0.103	PTF-642	TES-642	TEV-642
643	3.313	3.500	0.094	3.299	0.103	PTF-643	TES-643	TEV-643
644	6.127	6.502	0.188	6.102	0.210	PTF-644	TES-644	TEV-644
645	6.375	6.750	0.188	6.350	0.210	PTF-645	TES-645	TEV-645
646	6.627	7.002	0.188	6.602	0.210	PTF-646	TES-646	TEV-646
647	6.875	7.250	0.188	6.850	0.210	PTF-647	TES-647	TEV-647
802	0.197	0.323	0.063	0.187	0.070	PTF-802	TES-802	TEV-802
803	0.260	0.386	0.063	0.250	0.070	PTF-803	TES-803	TEV-803
804	0.322	0.448	0.063	0.312	0.070	PTF-804	TES-804	TEV-804
807	0.514	0.701	0.094	0.500	0.103	PTF-807	TES-807	TEV-807
809	0.639	0.826	0.094	0.625	0.103	PTF-809	TES-809	TEV-809
810	0.701	0.888	0.094	0.687	0.103	PTF-810	TES-810	TEV-810
812	0.826	1.013	0.094	0.812	0.103	PTF-812	TES-812	TEV-812
813	0.889	1.076	0.094	0.875	0.103	PTF-813	TES-813	TEV-813
814	0.951	1.138	0.094	0.937	0.103	PTF-814	TES-814	TEV-814
824	1.547	1.797	0.125	1.563	0.139	PTF-824	TES-824	TEV-824
825	1.609	1.859	0.125	1.625	0.139	PTF-825	TES-825	TEV-825
826	1.671	1.921	0.125	1.687	0.139	PTF-826	TES-826	TEV-826
827	1.734	1.984	0.125	1.750	0.139	PTF-827	TES-827	TEV-827
828	1.796	2.046	0.125	1.812	0.139	PTF-828	TES-828	TEV-828
829	1.859	2.109	0.125	1.875	0.139	PTF-829	TES-829	TEV-829
830	1.921	2.171	0.125	1.937	0.139	PTF-830	TES-830	TEV-830
831	1.984	2.234	0.125	2.000	0.139	PTF-831	TES-831	TEV-831
832	2.046	2.296	0.125	2.062	0.139	PTF-832	TES-832	TEV-832
833	2.109	2.359	0.125	2.125	0.139	PTF-833	TES-833	TEV-833



PTF VIRGIN
 PTFE ENCAPSULATED SILICONE
 PTFE ENCAPSULATED VITON

BS REF	NOMINAL			ACTUAL		REF N ^o	REF N ^o	REF N ^o
	ID	OD	C/S	ID	C/S			
834	2.171	2.421	0.125	2.187	0.139	PTF-834	TES-834	TEV-834
835	2.234	2.484	0.125	2.250	0.139	PTF-835	TES-835	TEV-835
836	2.296	2.546	0.125	2.312	0.139	PTF-836	TES-836	TEV-836
837	2.359	2.609	0.125	2.375	0.139	PTF-837	TES-837	TEV-837
838	2.421	2.671	0.125	2.437	0.139	PTF-838	TES-838	TEV-838
839	2.484	2.734	0.125	2.500	0.139	PTF-839	TES-839	TEV-839
840	2.547	2.797	0.125	2.563	0.139	PTF-840	TES-840	TEV-840
841	2.609	2.859	0.125	2.625	0.139	PTF-841	TES-841	TEV-841
842	2.734	2.984	0.125	2.750	0.139	PTF-842	TES-842	TEV-842
843	2.796	3.046	0.125	2.812	0.139	PTF-843	TES-843	TEV-843
844	2.796	3.046	0.125	2.812	0.139	PTF-844	TES-844	TEV-844
845	2.859	3.109	0.125	2.875	0.139	PTF-845	TES-845	TEV-845
846	2.921	3.171	0.125	2.937	0.139	PTF-846	TES-846	TEV-846
860	4.650	5.025	0.188	4.625	0.210	PTF-860	TES-860	TEV-860
861	4.775	5.150	0.188	4.750	0.210	PTF-861	TES-861	TEV-861
862	4.900	5.275	0.188	4.875	0.210	PTF-862	TES-862	TEV-862
863	5.025	5.400	0.188	5.000	0.210	PTF-863	TES-863	TEV-863
864	5.150	5.525	0.188	5.125	0.210	PTF-864	TES-864	TEV-864
865	5.275	5.650	0.188	5.250	0.210	PTF-865	TES-865	TEV-865
866	5.400	5.775	0.188	5.375	0.210	PTF-866	TES-866	TEV-866
867	5.525	5.900	0.188	5.500	0.210	PTF-867	TES-867	TEV-867
868	5.650	6.025	0.188	5.625	0.210	PTF-868	TES-868	TEV-868
869	5.775	6.150	0.188	5.750	0.210	PTF-869	TES-869	TEV-869
870	5.900	6.275	0.188	5.875	0.210	PTF-870	TES-870	TEV-870
872	6.151	6.651	0.250	6.126	0.275	PTF-872	TES-872	TEV-872
874	6.399	6.899	0.250	6.374	0.275	PTF-874	TES-874	TEV-874
876	6.651	7.151	0.250	6.626	0.275	PTF-876	TES-876	TEV-876
878	6.899	7.399	0.250	6.874	0.275	PTF-878	TES-878	TEV-878
880	7.151	7.651	0.250	7.126	0.275	PTF-880	TES-880	TEV-880
882	7.399	7.899	0.250	7.374	0.275	PTF-882	TES-882	TEV-882
884	7.651	8.151	0.250	7.626	0.275	PTF-884	TES-884	TEV-884
886	7.899	8.399	0.250	7.874	0.275	PTF-886	TES-886	TEV-886



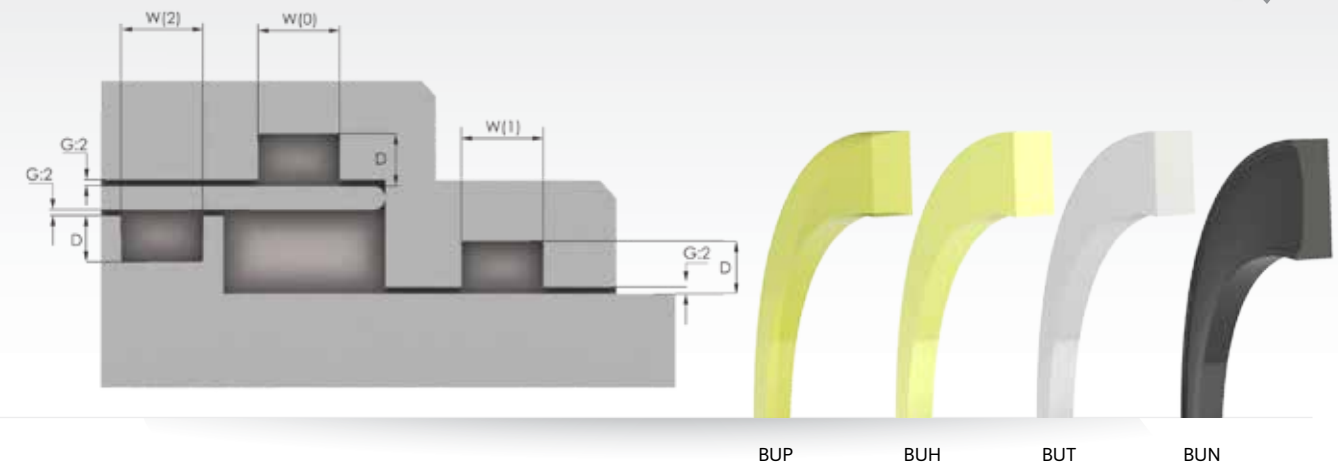
PTFE VIRGIN

BS REF	TUBE O.D	ACTUAL		REFERENCE N ^o
	ID	C/S		
901	3/32	0.185	0.056	PTF-901
902	1/8	0.239	0.064	PTF-902
903	3/16	0.301	0.064	PTF-903
904	1/4	0.351	0.072	PTF-904
905	5/16	0.414	0.072	PTF-905
906	3/8	0.468	0.078	PTF-906
907	7/16	0.530	0.082	PTF-907
908	1/2	0.644	0.087	PTF-908
909	9/16	0.706	0.097	PTF-909
910	5/8	0.755	0.097	PTF-910
911	1,1/16	0.863	0.116	PTF-911
912	3/4	0.924	0.116	PTF-912
913	1,3/16	0.986	0.116	PTF-913
914	7/8	1.047	0.116	PTF-914
916	1	1.171	0.116	PTF-916
918	1,1/8	1.355	0.116	PTF-918
920	1,1/4	1.475	0.118	PTF-920
924	1,1/2	1.720	0.118	PTF-924
928	1,3/4	2.090	0.118	PTF-928
932	2	2.337	0.118	PTF-932
928	1,3/4	2.090	0.118	PTF-928
930				PTF-930
932	2	2.337	0.118	



P/N	DESCRIPTION	CONTENTS
RY0801	ORK IMPERIAL O-RING SPLICING KITS IMPERIAL	1/16"; 3/32"; 1/8"; 3/16"; 1/4" nominal cord 10 ft of each. Rubber cyanoacrylate glue : 1 bottle Splicing tools
RY0802	ORK METRIC O-RING SPLICING KITS METRIC	1.6; 1.9; 2.4; 3.0; 3.5; 5.7; 8.4mm cord 3 mts of each. Rubber cyanoacrylate glue : 1 bottle Splicing tools.
RY0901	ORK RED LID IMPERIAL O-RING KIT – (Standard Nitrile 70D)	BS006 to BS012 (7 sizes) BS110 to BS116 (7 sizes) BS210 to BS222 (13 sizes) Total : 190 rings
RY0904	ORK BROWN LID IMPERIAL O-RING KIT – (Viton® 75D)	
RY0905	ORK RED LID 90 SHORE A O-RING KIT – (Nitrile 90D)	
RY0902	ORK BLACK LID IMPERIAL O-RING KIT – 0.070" c/s (Standard Nitrile 70 D)	BS006 to BS029 (24 sizes) 1.9/16 x 1.7/16" (1 size) Total : 256 o-rings
RY1500	ORK BLACK LID N90 O-RING KIT – (Nitrile 90D)	
RY0903	ORK YELLOW LID IMPERIAL O-RING KIT – 0.103" c/s (Standard Nitrile 70 D)	BS104 to BS128 (25 sizes) Total : 202 o-rings
RY1501	ORK YELLOW LID IMPERIAL O-RING KIT – 0.103" c/s (Nitrile 90D)	
RY0907	ORK UNIVERSAL AIR-CON O-RING KIT – (HNBR Green)	BS008 to BS017 (8 sizes) BS111 to BS118 (7 sizes) BS211 to BS212 (2 sizes) Total : 235 o-rings
RY0950	ORK IMPERIAL TEFLON B/U WASHER KIT	8-006 to 8-012 (7 sizes) 8-110 to 8-116 (7 sizes) 8-210 to 8-222 (13 sizes) Total : 364 o-rings
RY1030	ORK BLUE LID METRIC O-RING KIT – German (DIN) Metric O-rings	204-003 to 009 (7 sizes) 204-109 to 119 (7 sizes) 206-569 to 588 (13 sizes) Total : 190 o-rings
RY1031	ORK BLUE LID METRIC 90 DURO O-RING KIT	
RY1231	ORK SILICONE O-RING KIT	BS006 to BS012 (7 sizes) BS110 to BS116 (7 sizes) BS210 to BS222 (13 sizes) Total : 190 o-rings

P/N	DESCRIPTION	CONTENTS
RY1234	ORK GREEN LID UNF-SAE O-RING KIT	568-904 to 924 (10 sizes) BS210 to 228 (6 sizes) Total : 160 rings
RY1235	ORK FLANGE SEAL KIT CODE 61 / 62 FLANGE SEAL POLYURETHANE FLANGE SEALS	
RY1236	ORK COMBO FLANGE SEAL KIT CODE 61 / 62 FLANGE SEAL + O-RINGS	
RY1300	ORK 70 DURO JAP METRIC O-RING KIT (1B)	P3 to P25 (27 sizes) G25 to G60 (8 sizes) Total : 444 o-rings
RY1301	ORK 90 DURO JAP METRIC O-RING KIT (1B-90)	
RY1400	ORK IMPERIAL X-RING KIT YELLOW 5C	BS006 to BS012 (7 sizes) BS110 to BS116 (7 sizes) BS210 to BS222 (13 sizes) BS325 to BS327 (3 sizes) Total : 190 x-rings
RY8002	ORK CONTOURED BACK UP WASHER KIT – (Nitrile - 90 D)	8-006 to 8-012 (7 sizes) 8-110 to 8-116 (7 sizes) 8-210 to 8-222 (13 sizes) Total : 364 b/up-rings
RZS863	5 SET O-RING KIT	RY0901 RY0902 RY0903 RY1030 RY1300 Total : 5 Kits
RY1603	MAXI KIT - 70 DURO IMPERIAL KIT	1415 pcs, 81 sizes, 1/16"; 3/32"; 1/8" sections; SAE flange; UNF boss o-rings (5 compartments)
RY1604	MAXI KIT - 90 DURO IMPERIAL KIT	1415 pcs, 81 sizes, 1/16"; 3/32"; 1/8" sections; SAE flange; UNF boss o-rings (5 compartments)
RY1605	MAXI KIT - 70 DURO METRIC KIT	1350 pcs, 1.0; 1.5; 2.0; 2.5 and 3.0mm sections (5 compartments)
RY1606	MAXI KIT - MOBILE KIT	775 pcs, D-RINGS (9 sizes) UNO o-rings (12 sizes) FLANGE o-rings (8 sizes) ORFS o-rings (16 sizes) FLARETITE seals (7 sizes) BONDED washers (10 sizes) RETAINING Rings (8 sizes) (5 compartments)



BUP/BUH

SURFACE FINISH	
DYNAMIC SEALING SURFACE	0.4 μm Ra
STATIC SEALING SURFACE	0.8 μm Ra

DESIGN

- Polyurethane back-up for o-ring.
- Available solid or split
- Full range of imperial back-ups to suit o-rings conforming to BS1806, AS568, AN6227 and AN6230
- Metric range to suit o-rings conforming to British Standard BS4518, Japanese Standard JISB2401, and German Standard DIN3770

MATERIAL

- Polyurethane.
- Other compounds are available on request.

APPLICATION

- Back-up for o-ring.
- Static and dynamic applications.

BUT

SURFACE FINISH	
DYNAMIC SEALING SURFACE	0.4 μm Ra
STATIC SEALING SURFACE	0.8 μm Ra

DESIGN

- PTFE back-up for o-ring.
- Available solid or split
- Full range of imperial back-ups to suit o-rings conforming to BS1806, AS568, AN6227 and AN6230

MATERIAL

- PTFE
- Other compounds are available on request.

APPLICATION

- Back-up for o-ring.
- Static and dynamic applications.

BUN

SURFACE FINISH	
DYNAMIC SEALING SURFACE	0.4 μm Ra
STATIC SEALING SURFACE	0.8 μm Ra

DESIGN

- Contoured back-up for o-ring.
- Full range of imperial BACK UP RINGS conforming to BS1806, AS568, AN6227 and AN6230

MATERIAL

- Standard off the shelf compounds include :
- Nitrile 90
 - Other compounds are available on request.

APPLICATION

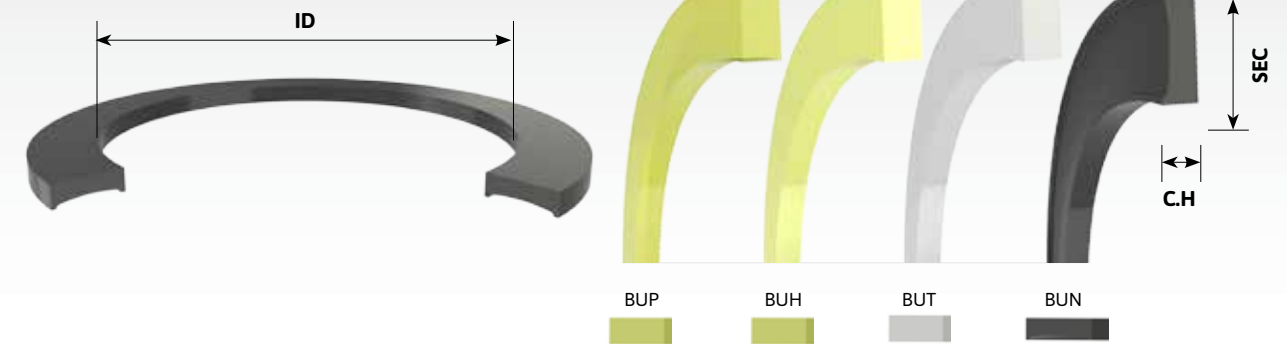
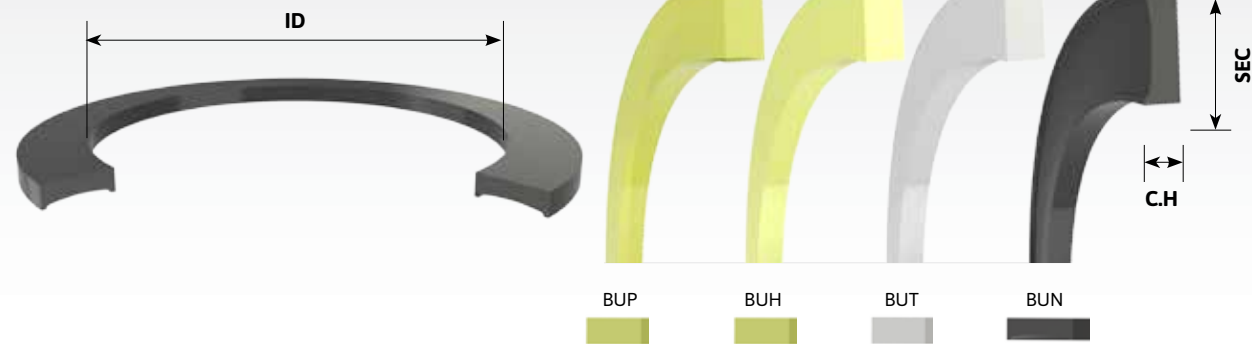
- Back-up for o-ring.
- Static and dynamic applications.

BACK-UP WASHERS METRIC

BACK-UP WASHERS METRIC

BACK-UP WASHERS METRIC

BACK-UP WASHERS METRIC



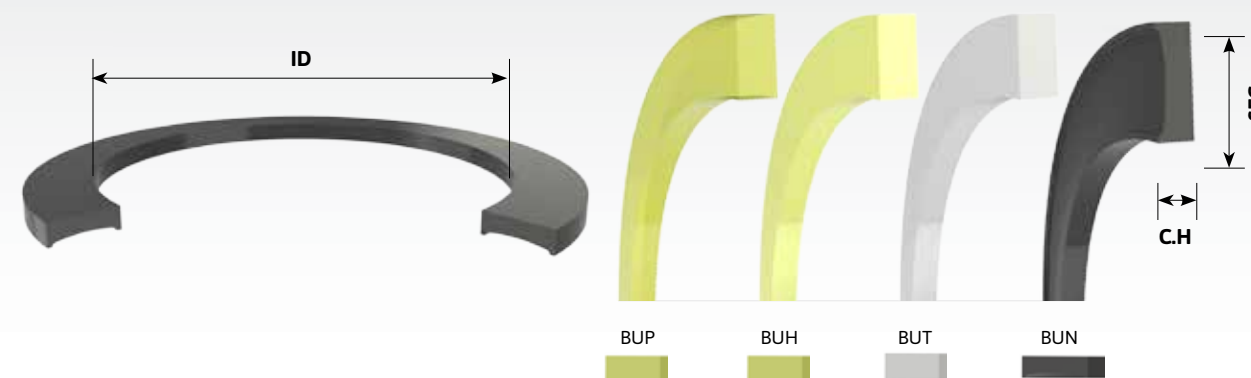
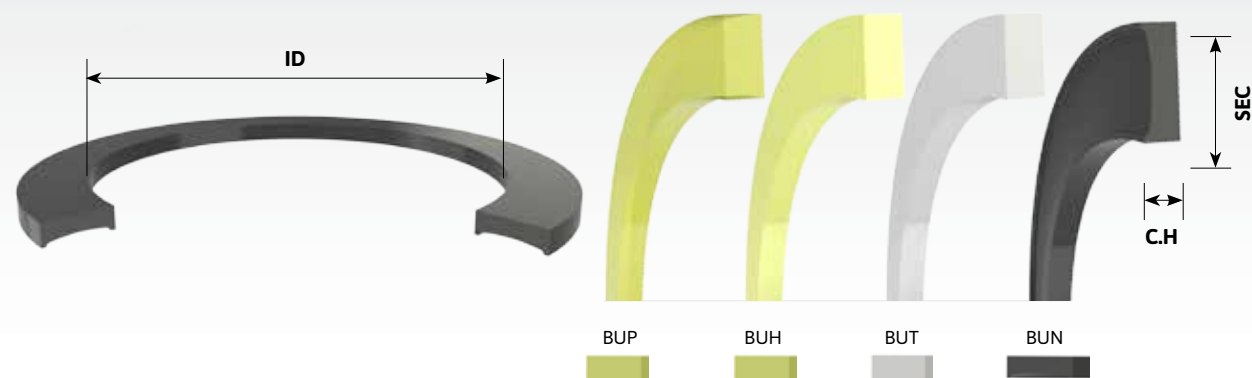
NOMINAL			PTFE SOLID	HYTREL®
ID	OD	CH	PART N°	PART N°
11.00	15.00	1.25	BUTM-P011	BUHM-P011
12.00	16.00	1.25	BUTM-P012	BUHM-P012
12.50	16.50	1.25	BUTM-P012.5	BUHM-P012.5
14.00	18.00	1.25	BUTM-P014	BUHM-P014
16.00	20.00	1.25	BUTM-P016	BUHM-P016
18.00	22.00	1.25	BUTM-P018	BUHM-P018
21.00	25.00	1.25	BUTM-P021	BUHM-P021
22.00	26.00	1.25	BUTM-P022	BUHM-P022
23.00	29.00	1.25		
24.00	30.00	1.25	BUTM-P024	BUHM-P024
25.00	30.00	1.25	BUTM-G025	BUHM-G025
25.00	31.00	1.25	BUTM-P025	BUHM-P025
26.00	32.00	1.25	BUTM-P026	BUHM-P026
27.00	33.00	1.25		
28.00	34.00	1.25	BUTM-P028	BUHM-P028
29.00	35.00	1.25	BUTM-P029	BUHM-P029
30.00	35.00	1.25	BUTM-G030	BUHM-G030
30.00	36.00	1.25	BUTM-P030	BUHM-P030
31.00	37.00	1.25	BUTM-P031	BUHM-P031
32.00	38.00	1.25	BUTM-P032	BUHM-P032
33.00	39.00	1.25		
34.00	40.00	1.25	BUTM-P034	BUHM-P034
35.00	40.00	1.25	BUTM-G035	BUHM-G035
35.00	41.00	1.25	BUTM-P035	BUHM-P035
36.00	42.00	1.25	BUTM-P036	BUHM-P036
37.00	43.00	1.25		
38.00	44.00	1.25	BUTM-P038	BUHM-P038
39.00	45.00	1.25	BUTM-P039	BUHM-P039
40.00	45.00	1.25	BUTM-G040	BUHM-G040
40.00	46.00	1.25	BUTM-P040	BUHM-P040
41.00	47.00	1.25	BUTM-P041	BUHM-P041
42.00	48.00	1.25	BUTM-P042	BUHM-P042
43.00	49.00	1.25		
44.00	50.00	1.25	BUTM-P044	BUHM-P044
45.00	50.00	1.25	BUTM-G045	BUHM-G045
45.00	51.00	1.25	BUTM-P045	BUHM-P045
46.00	52.00	1.25	BUTM-P046	BUHM-P046
47.00	53.00	1.25		
48.00	54.00	1.25	BUTM-P048	BUHM-P048
49.00	55.00	1.25	BUTM-P049	BUHM-P049
50.00	55.00	1.25	BUTM-G050	BUHM-G050
50.00	56.00	1.80	BUTM-P050	BUHM-P050

NOMINAL			PTFE SOLID	HYTREL®
ID	OD	CH	PART N°	PART N°
50.00	60.00	1.80	BUTM-P050A	BUHM-P050A
53.00	63.00	1.80	BUTM-P053	BUHM-P053
55.00	60.00	1.25	BUTM-G055	BUHM-G055
55.00	65.00	1.80	BUTM-P055	BUHM-P055
60.00	65.00	1.25	BUTM-G060	BUHM-G060
60.00	70.00	1.80	BUTM-P060	BUHM-P060
65.00	70.00	1.25	BUTM-G065	BUHM-G065
65.00	75.00	1.80	BUTM-P065	BUHM-P065
70.00	75.00	1.25	BUTM-G070	BUHM-G070
70.00	80.00	1.80	BUTM-P070	BUHM-P070
75.00	80.00	1.25	BUTM-G075	BUHM-G075
75.00	85.00	1.80	BUTM-P075	BUHM-P075
80.00	85.00	1.25	BUTM-G080	BUHM-G080
80.00	90.00	1.80	BUTM-P080	BUHM-P080
85.00	90.00	1.25	BUTM-G085	BUHM-G085
85.00	95.00	1.80	BUTM-P085	BUHM-P085
90.00	95.00	1.25	BUTM-G090	BUHM-G090
90.00	100.00	1.80	BUTM-P090	BUHM-P090
95.00	100.00	1.25	BUTM-G095	BUHM-G095
95.00	105.00	1.80	BUTM-P095	BUHM-P095
100.00	105.00	1.25	BUTM-G100	BUHM-G100
100.00	110.00	1.80	BUTM-P100	BUHM-P100
102.00	112.00	1.80	BUTM-P102	BUHM-P102
105.00	110.00	1.25	BUTM-G105	BUHM-G105
105.00	115.00	1.80	BUTM-P105	BUHM-P105
110.00	115.00	1.25	BUTM-G110	BUHM-G110
110.00	120.00	1.80	BUTM-P110	BUHM-P110
112.00	122.00	1.80	BUTM-P112	BUHM-P112
115.00	120.00	1.25	BUTM-G115	BUHM-G115
115.00	125.00	1.80	BUTM-P115	BUHM-P115
120.00	125.00	1.25	BUTM-G120	BUHM-G120
120.00	130.00	1.80	BUTM-P120	BUHM-P120
125.00	130.00	1.25	BUTM-G125	BUHM-G125
125.00	135.00	1.80	BUTM-P125	RBP074
130.00	135.00	1.25	BUTM-G130	RBP143
130.00	140.00	1.80	BUTM-P130	RBP075
132.00	142.00	1.80	BUTM-P132	BUHM-P132
135.00	140.00	1.25	BUTM-G135	BUHM-G135
135.00	145.00	1.80	BUTM-P135	RBP077
140.00	145.00	1.25	BUTM-G140	RBP145
140.00	150.00	1.80	BUTM-P140	BUHM-P140
145.00	150.00	1.25	BUTM-G145	RBP146

BACK-UP WASHERS METRIC

BACK-UP WASHERS IMPERIAL

BACK-UP WASHERS METRIC



NOMINAL			PTFE SOLID	HYTREL®
ID	OD	CH	PART N°	PART N°
145.00	155.00	1.80	BUTM-P145	RBP079
150.00	160.00	1.80	BUTM-G150	RBP149
150.00	160.00	1.80	BUTM-P150	
150.00	165.00	2.70	BUTM-P150A	BUHM-P150A
155.00	165.00	1.80	BUTM-G155	BUHM-G155
160.00	170.00	1.80	BUTM-G160	BUHM-G160
160.00	175.00	2.70	BUTM-P160	BUHM-P160
165.00	175.00	1.80	BUTM-G165	BUHM-G165
170.00	180.00	1.80	BUTM-G170	BUHM-G170
175.00	185.00	1.80	BUTM-G175	BUHM-G175
175.00	190.00	2.70	BUTM-P175	BUHM-P175
180.00	190.00	1.80	BUTM-G180	BUHM-G180
180.00	195.00	2.70	BUTM-P180	
185.00	195.00	1.80	BUTM-G185	BUHM-G185
190.00	200.00	1.80	BUTM-G190	BUHM-G190
195.00	205.00	1.80	BUTM-G195	BUHM-G195
200.00	210.00	1.80	BUTM-G200	BUHM-G200
200.00	215.00	2.70	BUTM-P200	BUHM-P200
205.00	220.00	2.70	BUTM-P205	
210.00	220.00	1.80	BUTM-G210	BUHM-G210
215.00	225.00	1.80	BUTM-G215	
215.00	230.00	2.70	BUTM-P215	BUHM-P215
220.00	230.00	1.80	BUTM-G220	BUHM-G220
225.00	240.00	2.70	BUTM-P225	BUHM-P225
240.00	250.00	1.80	BUTM-G240	BUHM-G240
245.00	255.00	1.80	BUTM-G245	
245.00	260.00	2.70	BUTM-P230	BUHM-P230
250.00	260.00	1.80	BUTM-G250	BUHM-G250

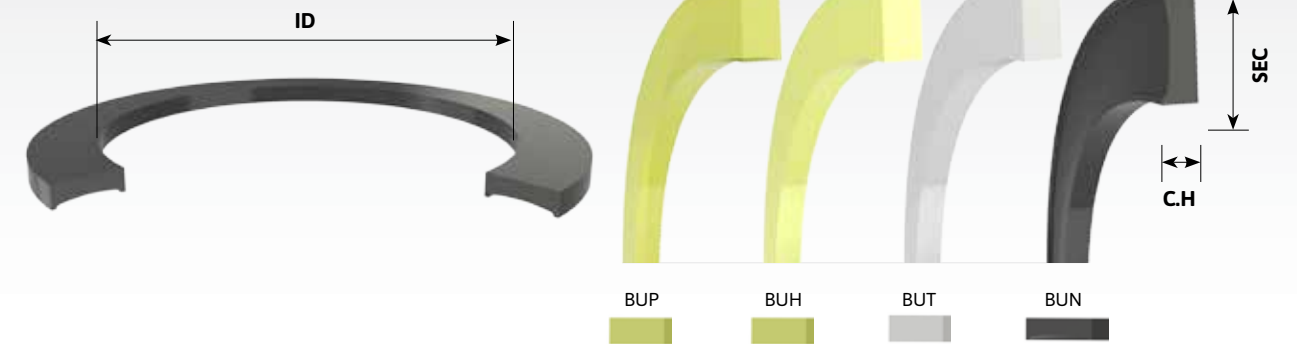
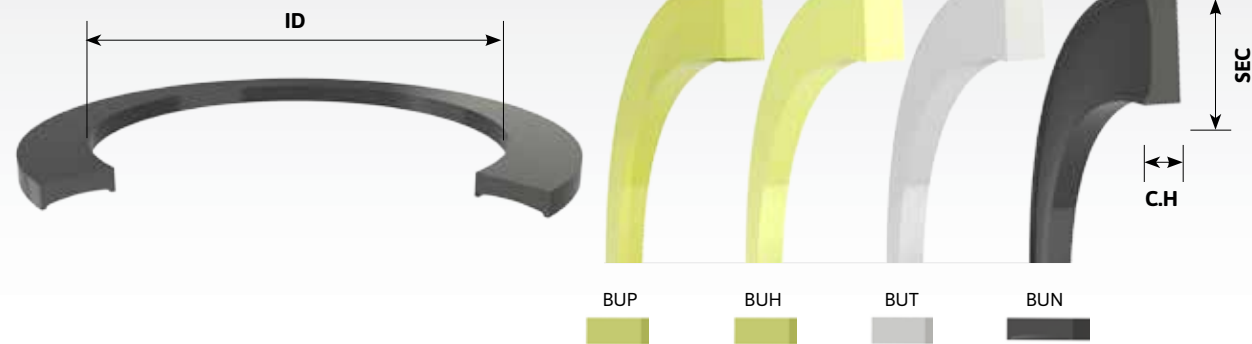
BS REF	NOMINAL		SEC	BUN CH	BAT CH	BUP/BUH CH	NITRILE 80 DURO	PTFE	POLYURTHANE 90 DURO	HYTREL®
	ID	OD					PART N°	PART N°	PART N°	PART N°
BS 001	0.031	0.156	0.053	0.045	0.040		BUN-001			
BS 002	0.046	0.171	0.053	0.045	0.040		BUN-002			
BS 003	0.062	0.187	0.053	0.045	0.040		BUN-003			
BS 004	0.078	0.203	0.053	0.045	0.040		BUN-004	BUT-004		
BS 005	0.093	0.218	0.053	0.045	0.040		BUN-005	BUT-005		
BS 006	0.125	0.250	0.053	0.045	0.040	0.040	BUN-006	BUT-006		BUH-006
BS 007	0.156	0.281	0.053	0.045	0.040		BUN-007	BUT-007		
BS 008	0.187	0.312	0.053	0.045	0.040		BUN-008	BUT-008		
BS 009	0.218	0.343	0.053	0.045	0.040	0.040	BUN-009	BUT-009		BUH-009
BS 010	0.250	0.375	0.053	0.045	0.040	0.040	BUN-010	BUT-010	BUP-010	BUH-010
BS 011	0.312	0.437	0.053	0.045	0.040	0.040	BUN-011	BUT-011	BUP-011	BUH-011
BS 012	0.375	0.500	0.053	0.045	0.040	0.040	BUN-012	BUT-012	BUP-012	BUH-012
BS 013	0.437	0.562	0.053	0.045	0.040	0.040	BUN-013	BUT-013	BUP-013	BUH-013
BS 014	0.500	0.625	0.053	0.045	0.040	0.040	BUN-014	BUT-014	BUP-014	BUH-014
BS 015	0.562	0.687	0.053	0.045	0.040	0.040	BUN-015	BUT-015	BUP-015	BUH-015
BS 016	0.625	0.750	0.053	0.045	0.040	0.040	BUN-016	BUT-016	BUP-016	BUH-016
BS 017	0.687	0.812	0.053	0.045	0.040	0.040	BUN-017	BUT-017	BUP-017	BUH-017
BS 018	0.750	0.875	0.053	0.045	0.040	0.040	BUN-018	BUT-018	BUP-018	BUH-018
BS 019	0.812	0.937	0.053	0.045	0.040	0.040	BUN-019	BUT-019	BUP-019	BUH-019
BS 020	0.875	1.000	0.053	0.045	0.040	0.040	BUN-020	BUT-020	BUP-020	BUH-020
BS 021	0.937	1.062	0.053	0.045	0.040	0.040	BUN-021	BUT-021	BUP-021	BUH-021
BS 022	1.000	1.125	0.053	0.045	0.040	0.040	BUN-022	BUT-022	BUP-022	BUH-022
BS 023	1.062	1.187	0.053	0.045	0.040	0.040	BUN-023	BUT-023	BUP-023	BUH-023
BS 024	1.125	1.250	0.053	0.045	0.040	0.040	BUN-024	BUT-024	BUP-024	BUH-024
BS 025	1.187	1.312	0.053	0.045	0.040	0.040	BUN-025	BUT-025	BUP-025	BUH-025
BS 026	1.250	1.375	0.053	0.045	0.040	0.040	BUN-026	BUT-026	BUP-026	BUH-026
BS 027	1.312	1.437	0.053	0.045	0.040	0.040	BUN-027	BUT-027	BUP-027	BUH-027
BS 028	1.375	1.500	0.053	0.045	0.040	0.040	BUN-028	BUT-028	BUP-028	BUH-028
BS 029	1.500	1.625	0.053	0.045	0.040	0.040	BUN-029	BUT-029	BUP-029	BUH-029
BS 030	1.625	1.750	0.053	0.045	0.040	0.040	BUN-030	BUT-030	BUP-030	BUH-030
BS 031	1.750	1.875	0.053	0.045	0.040	0.040	BUN-031	BUT-031	BUP-031	BUH-031
BS 032	1.875	2.000	0.053	0.045	0.040	0.040	BUN-032	BUT-032	BUP-032	BUH-032
BS 033	2.000	2.125	0.053	0.045	0.040	0.040	BUN-033	BUT-033	BUP-033	BUH-033
BS 034	2.125	2.250	0.053	0.045	0.040	0.040	BUN-034	BUT-034	BUP-034	BUH-034
BS 035	2.250	2.375	0.053	0.045	0.040	0.040	BUN-035	BUT-035	BUP-035	BUH-035
BS 036	2.375	2.500	0.053	0.045	0.040	0.040	BUN-036	BUT-036	BUP-036	BUH-036
BS 037	2.500	2.625	0.053	0.045	0.040	0.040	BUN-037	BUT-037	BUP-037	BUH-037
BS 038	2.625	2.750	0.053	0.045	0.040	0.040	BUN-038	BUT-038	BUP-038	BUH-038
BS 039	2.750	2.875	0.053	0.045	0.040	0.040	BUN-039	BUT-039	BUP-039	BUH-039
BS 040	2.875	3.000	0.053	0.045	0.040	0.040	BUN-040	BUT-040	BUP-040	BUH-040
BS 041	3.000	3.125	0.053	0.045	0.040	0.040	BUN-041	BUT-041	BUP-041	BUH-041
BS 042	3.250	3.375	0.053	0.045	0.040	0.040	BUN-042	BUT-042	BUP-042	BUH-042
BS 043	3.500	3.625	0.053	0.045	0.040	0.040	BUN-043	BUT-043	BUP-043	BUH-043

BACK-UP WASHERS IMPERIAL

BACK-UP WASHERS IMPERIAL

BACK-UP WASHERS IMPERIAL

BACK-UP WASHERS IMPERIAL



BS REF	NOMINAL		SEC	BUN CH	BAT CH	BUP/BUH CH	MATERIAL			
	ID	OD					NITRILE 80 DURO	PTFE	POLYURTHANE 90 DURO	HYTREL®
							PART N°	PART N°	PART N°	PART N°
BS 044	3.750	3.875	0.053	0.045	0.040	0.040	BUN-044	BUT-044	BUP-044	BUH-044
BS 045	4.000	4.125	0.053	0.045	0.040	0.040	BUN-045	BUT-045	BUP-045	BUH-045
BS 046	4.250	4.375	0.053	0.045	0.040	0.040	BUN-046	BUT-046	BUP-046	BUH-046
BS 047	4.500	4.625	0.053	0.045	0.040	0.040	BUN-047	BUT-047	BUP-047	BUH-047
BS 048	4.750	4.875	0.053	0.045	0.040	0.040	BUN-048	BUT-048	BUP-048	BUH-048
BS 049	5.000	5.125	0.053	0.045	0.040	0.040	BUN-049	BUT-049	BUP-049	BUH-049
BS 050	5.250	5.375	0.053	0.045	0.040	0.040	BUN-050	BUT-050	BUP-050	BUH-050
BS 102	0.062	0.250	0.086	0.045	0.040		BUN-102	BUT-102		
BS 103	0.093	0.281	0.086	0.045	0.040		BUN-103	BUT-103		
BS 104	0.125	0.312	0.086	0.045	0.040		BUN-104	BUT-104		
BS 105	0.156	0.343	0.086	0.045	0.040		BUN-105	BUT-105		
BS 106	0.187	0.374	0.086	0.045	0.040		BUN-106	BUT-106		
BS 107	0.218	0.406	0.086	0.045	0.040		BUN-107	BUT-107		
BS 108	0.250	0.437	0.086	0.045	0.040	0.040	BUN-108	BUT-108	BUP-108	
BS 109	0.312	0.499	0.086	0.045	0.040	0.040	BUN-109	BUT-109	BUP-109	
BS 110	0.375	0.562	0.086	0.045	0.040	0.040	BUN-110	BUT-110	BUP-110	BUH-110
BS 111	0.437	0.624	0.086	0.045	0.040	0.040	BUN-111	BUT-111	BUP-111	BUH-111
BS 112	0.500	0.687	0.086	0.045	0.040	0.040	BUN-112	BUT-112	BUP-112	BUH-112
BS 113	0.562	0.749	0.086	0.045	0.040	0.040	BUN-113	BUT-113	BUP-113	BUH-113
BS 114	0.625	0.812	0.086	0.045	0.040	0.040	BUN-114	BUT-114	BUP-114	BUH-114
BS 115	0.687	0.874	0.086	0.045	0.040	0.040	BUN-115	BUT-115	BUP-115	BUH-115
BS 116	0.750	0.937	0.086	0.045	0.040	0.040	BUN-116	BUT-116	BUP-116	BUH-116
BS 117	0.812	0.999	0.086	0.045	0.040	0.040	BUN-117	BUT-117	BUP-117	BUH-117
BS 118	0.875	1.062	0.086	0.045	0.040	0.040	BUN-118	BUT-118	BUP-118	BUH-118
BS 119	0.937	1.124	0.086	0.045	0.040	0.040	BUN-119	BUT-119	BUP-119	BUH-119
BS 120	1.000	1.187	0.086	0.045	0.040	0.040	BUN-120	BUT-120	BUP-120	BUH-120
BS 121	1.063	1.250	0.086	0.045	0.040	0.040	BUN-121	BUT-121	BUP-121	
BS 122	1.125	1.312	0.086	0.045	0.040	0.040	BUN-122	BUT-122	BUP-122	BUH-122
BS 123	1.187	1.374	0.086	0.045	0.040	0.040	BUN-123	BUT-123	BUP-123	BUH-123
BS 124	1.250	1.437	0.086	0.045	0.040	0.040	BUN-124	BUT-124	BUP-124	BUH-124
BS 125	1.312	1.499	0.086	0.045	0.040	0.040	BUN-125	BUT-125	BUP-125	BUH-125
BS 126	1.375	1.562	0.086	0.045	0.040	0.040	BUN-126	BUT-126	BUP-126	BUH-126
BS 127	1.437	1.624	0.086	0.045	0.040	0.040	BUN-127	BUT-127	BUP-127	BUH-127
BS 128	1.500	1.687	0.086	0.045	0.040	0.040	BUN-128	BUT-128	BUP-128	BUH-128
BS 129	1.562	1.749	0.086	0.045	0.040	0.040	BUN-129	BUT-129	BUP-129	BUH-129
BS 130	1.625	1.812	0.086	0.045	0.040	0.040	BUN-130	BUT-130	BUP-130	
BS 131	1.687	1.874	0.086	0.045	0.040	0.040	BUN-131	BUT-131	BUP-131	BUH-131
BS 132	1.750	1.937	0.086	0.045	0.040	0.040	BUN-132	BUT-132	BUP-132	BUH-132
BS 133	1.812	1.999	0.086	0.045	0.040	0.040	BUN-133	BUT-133	BUP-133	BUH-133
BS 134	1.875	2.062	0.086	0.045	0.040	0.040	BUN-134	BUT-134	BUP-134	BUH-134
BS 135	1.937	2.124	0.086	0.045	0.040	0.040	BUN-135	BUT-135	BUP-135	BUH-135
BS 136	2.000	2.187	0.086	0.045	0.040	0.040	BUN-136	BUT-136	BUP-136	BUH-136
BS 137	2.063	2.250	0.086	0.045	0.040	0.040	BUN-137	BUT-137	BUP-137	BUH-137

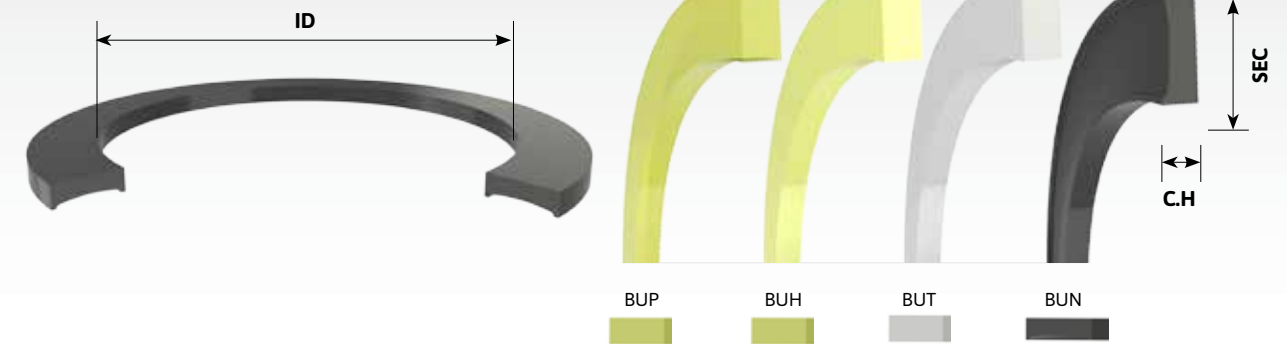
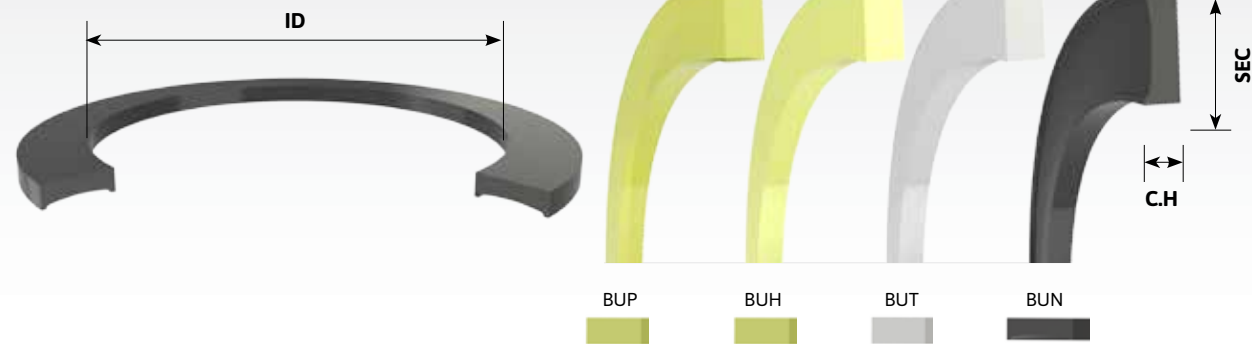
BS REF	NOMINAL		SEC	BUN CH	BAT CH	BUP/BUH CH	MATERIAL			
	ID	OD					NITRILE 80 DURO	PTFE	POLYURTHANE 90 DURO	HYTREL®
							PART N°	PART N°	PART N°	PART N°
BS 138	2.125	2.312	0.086	0.045	0.040	0.040	BUN-138	BUT-138	BUP-138	BUH-138
BS 139	2.187	2.374	0.086	0.045	0.040	0.040	BUN-139	BUT-139	BUP-139	BUH-139
BS 140	2.250	2.437	0.086	0.045	0.040	0.040	BUN-140	BUT-140	BUP-140	BUH-140
BS 141	2.312	2.499	0.086	0.045	0.040	0.040	BUN-141	BUT-141	BUP-141	BUH-141
BS 142	2.375	2.562	0.086	0.045	0.040	0.040	BUN-142	BUT-142	BUP-142	BUH-142
BS 143	2.437	2.624	0.086	0.045	0.040	0.040	BUN-143	BUT-143	BUP-143	BUH-143
BS 144	2.500	2.687	0.086	0.045	0.040	0.040	BUN-144	BUT-144	BUP-144	BUH-144
BS 145	2.562	2.749	0.086	0.045	0.040	0.040	BUN-145	BUT-145	BUP-145	BUH-145
BS 146	2.625	2.812	0.086	0.045	0.040	0.040	BUN-146	BUT-146	BUP-146	BUH-146
BS 147	2.687	2.874	0.086	0.045	0.040	0.040	BUN-147	BUT-147	BUP-147	BUH-147
BS 148	2.750	2.937	0.086	0.045	0.040	0.040	BUN-148	BUT-148	BUP-148	BUH-148
BS 149	2.812	2.999	0.086	0.045	0.040	0.040	BUN-149	BUT-149	BUP-149	BUH-149
BS 150	2.875	3.062	0.086	0.045	0.040	0.040	BUN-150	BUT-150	BUP-150	BUH-150
BS 151	3.000	3.187	0.086	0.045	0.040	0.040	BUN-151	BUT-151	BUP-151	BUH-151
BS 152	3.250	3.437	0.086	0.045	0.040	0.040	BUN-152	BUT-152	BUP-152	BUH-152
BS 153	3.500	3.687	0.086	0.045	0.040	0.040	BUN-153	BUT-153	BUP-153	BUH-153
BS 154	3.750	3.937	0.086	0.045	0.040	0.040	BUN-154	BUT-154	BUP-154	BUH-154
BS 155	4.000	4.187	0.086	0.045	0.040	0.040	BUN-155	BUT-155	BUP-155	BUH-155
BS 156	4.250	4.437	0.086	0.045	0.040	0.040	BUN-156	BUT-156	BUP-156	BUH-156
BS 157	4.500	4.687	0.086	0.045	0.040	0.040	BUN-157	BUT-157	BUP-157	BUH-157
BS 158	4.750	4.937	0.086	0.045	0.040	0.040	BUN-158	BUT-158	BUP-158	BUH-158
BS 159	5.000	5.187	0.086	0.045	0.040	0.040	BUN-159	BUT-159	BUP-159	BUH-159
BS 160	5.250	5.437	0.086	0.045	0.040	0.040	BUN-160	BUT-160	BUP-160	BUH-160
BS 161	5.500	5.687	0.086	0.045	0.040	0.040	BUN-161	BUT-161	BUP-161	BUH-161
BS 162	5.750	5.937	0.086	0.045	0.040	0.040	BUN-162	BUT-162	BUP-162	BUH-162
BS 163	6.000	6.187	0.086	0.045	0.040	0.040	BUN-163	BUT-163	BUP-163	BUH-163
BS 164	6.250	6.437	0.086	0.045	0.040		BUN-164	BUT-164		
BS 165	6.500	6.687	0.086	0.045	0.040		BUN-165	BUT-165		
BS 166	6.750	6.937	0.086	0.045	0.040		BUN-166	BUT-166		
BS 167	7.000	7.187	0.086	0.045	0.040		BUN-167	BUT-167		
BS 168	7.250	7.437	0.086	0.045	0.040		BUN-168	BUT-168		
BS 169	7.500	7.687	0.086	0.045	0.040		BUN-169	BUT-169		
BS 170	7.750	7.937	0.086	0.045	0.040		BUN-170	BUT-170		
BS 171	8.000	8.187	0.086	0.045	0.040		BUN-171	BUT-171		
BS 172	8.250	8.437	0.086	0.045	0.040		BUN-172	BUT-172		
BS 173	8.500	8.687	0.086	0.045	0.040		BUN-173	BUT-173		
BS 174	8.750	8.937	0.086	0.045	0.040		BUN-174	BUT-174		
BS 175	9.000	9.187	0.086	0.045	0.040		BUN-175	BUT-175		
BS 176	9.250	9.437	0.086	0.045	0.040		BUN-176	BUT-176		
BS 177	9.500	9.687	0.086	0.045	0.040		BUN-177	BUT-177		
BS 178	9.750	9.937	0.086	0.045	0.040		BUN-178	BUT-178		
BS 203	0.312	0.562	0.118	0.040	0.040		BUN-203	BUT-203		
BS 204	0.375	0.625	0.118	0.040	0.040		BUN-204	BUT-204		

BACK-UP WASHERS IMPERIAL

BACK-UP WASHERS IMPERIAL

BACK-UP WASHERS IMPERIAL

BACK-UP WASHERS IMPERIAL



NITRILE 80 DURO **PTFE** **POLYURTHANE 90 DURO** **HYTREL®**

BS REF	NOMINAL		SEC	BUN CH	BAT CH	BUP/BUH CH	PART N°	PART N°	PART N°	PART N°
	ID	OD								
BS 205	0.437	0.687	0.118	0.040	0.040	0.040	BUN-205	BUT-205	BUP-205	BUH-205
BS 206	0.500	0.750	0.118	0.040	0.040	0.040	BUN-206	BUT-206	BUP-206	BUH-206
BS 207	0.562	0.812	0.118	0.040	0.040	0.040	BUN-207	BUT-207	BUP-207	BUH-207
BS 208	0.625	0.875	0.118	0.040	0.040	0.040	BUN-208	BUT-208	BUP-208	BUH-208
BS 209	0.687	0.937	0.118	0.040	0.040	0.040	BUN-209	BUT-209	BUP-209	BUH-209
BS 210	0.750	1.000	0.118	0.040	0.040	0.040	BUN-210	BUT-210	BUP-210	BUH-210
BS 211	0.812	1.062	0.118	0.040	0.040	0.040	BUN-211	BUT-211	BUP-211	BUH-211
BS 212	0.875	1.125	0.118	0.040	0.040	0.040	BUN-212	BUT-212	BUP-212	BUH-212
BS 213	0.937	1.187	0.118	0.040	0.040	0.040	BUN-213	BUT-213	BUP-213	BUH-213
BS 214	1.000	1.250	0.118	0.040	0.040	0.040	BUN-214	BUT-214	BUP-214	BUH-214
BS 215	1.063	1.313	0.118	0.040	0.040	0.040	BUN-215	BUT-215	BUP-215	BUH-215
BS 216	1.125	1.375	0.118	0.040	0.040	0.040	BUN-216	BUT-216	BUP-216	BUH-216
BS 217	1.187	1.437	0.118	0.040	0.040	0.040	BUN-217	BUT-217	BUP-217	BUH-217
BS 218	1.250	1.500	0.118	0.040	0.040	0.040	BUN-218	BUT-218	BUP-218	BUH-218
BS 219	1.312	1.562	0.118	0.040	0.040	0.040	BUN-219	BUT-219	BUP-219	BUH-219
BS 220	1.375	1.625	0.118	0.040	0.040	0.040	BUN-220	BUT-220	BUP-220	BUH-220
BS 221	1.437	1.687	0.118	0.040	0.040	0.040	BUN-221	BUT-221	BUP-221	BUH-221
BS 222	1.500	1.750	0.118	0.040	0.040	0.040	BUN-222	BUT-222	BUP-222	BUH-222
BS 223	1.625	1.875	0.118	0.040	0.040	0.040	BUN-223	BUT-223	BUP-223	BUH-223
BS 224	1.750	2.000	0.118	0.040	0.040	0.040	BUN-224	BUT-224	BUP-224	BUH-224
BS 225	1.875	2.125	0.118	0.040	0.040	0.040	BUN-225	BUT-225	BUP-225	BUH-225
BS 226	2.000	2.250	0.118	0.040	0.040	0.040	BUN-226	BUT-226	BUP-226	BUH-226
BS 227	2.125	2.375	0.118	0.040	0.040	0.040	BUN-227	BUT-227	BUP-227	BUH-227
BS 228	2.250	2.500	0.118	0.040	0.040	0.040	BUN-228	BUT-228	BUP-228	BUH-228
BS 229	2.375	2.625	0.118	0.040	0.040	0.040	BUN-229	BUT-229	BUP-229	BUH-229
BS 230	2.500	2.750	0.118	0.040	0.040	0.040	BUN-230	BUT-230	BUP-230	BUH-230
BS 231	2.625	2.875	0.118	0.040	0.040	0.040	BUN-231	BUT-231	BUP-231	BUH-231
BS 232	2.750	3.000	0.118	0.040	0.040	0.040	BUN-232	BUT-232	BUP-232	BUH-232
BS 233	2.875	3.125	0.118	0.040	0.040	0.040	BUN-233	BUT-233	BUP-233	BUH-233
BS 234	3.000	3.250	0.118	0.040	0.040	0.040	BUN-234	BUT-234	BUP-234	BUH-234
BS 235	3.125	3.375	0.118	0.040	0.040	0.040	BUN-235	BUT-235	BUP-235	BUH-235
BS 236	3.250	3.500	0.118	0.040	0.040	0.040	BUN-236	BUT-236	BUP-236	BUH-236
BS 237	3.375	3.625	0.118	0.040	0.040	0.040	BUN-237	BUT-237	BUP-237	BUH-237
BS 238	3.500	3.750	0.118	0.040	0.040	0.040	BUN-238	BUT-238	BUP-238	BUH-238
BS 239	3.625	3.875	0.118	0.040	0.040	0.040	BUN-239	BUT-239	BUP-239	BUH-239
BS 240	3.750	4.000	0.118	0.040	0.040	0.040	BUN-240	BUT-240	BUP-240	BUH-240
BS 241	3.875	4.125	0.118	0.040	0.040	0.040	BUN-241	BUT-241	BUP-241	BUH-241
BS 242	4.000	4.250	0.118	0.040	0.040	0.040	BUN-242	BUT-242	BUP-242	BUH-242
BS 243	4.125	4.375	0.118	0.040	0.040	0.040	BUN-243	BUT-243	BUP-243	BUH-243
BS 244	4.250	4.500	0.118	0.040	0.040	0.040	BUN-244	BUT-244	BUP-244	BUH-244
BS 245	4.375	4.625	0.118	0.040	0.040	0.040	BUN-245	BUT-245	BUP-245	BUH-245
BS 246	4.500	4.750	0.118	0.040	0.040	0.040	BUN-246	BUT-246	BUP-246	BUH-246
BS 247	4.625	4.875	0.118	0.040	0.040	0.040	BUN-247	BUT-247	BUP-247	BUH-247

NITRILE 80 DURO **PTFE** **POLYURTHANE 90 DURO** **HYTREL®**

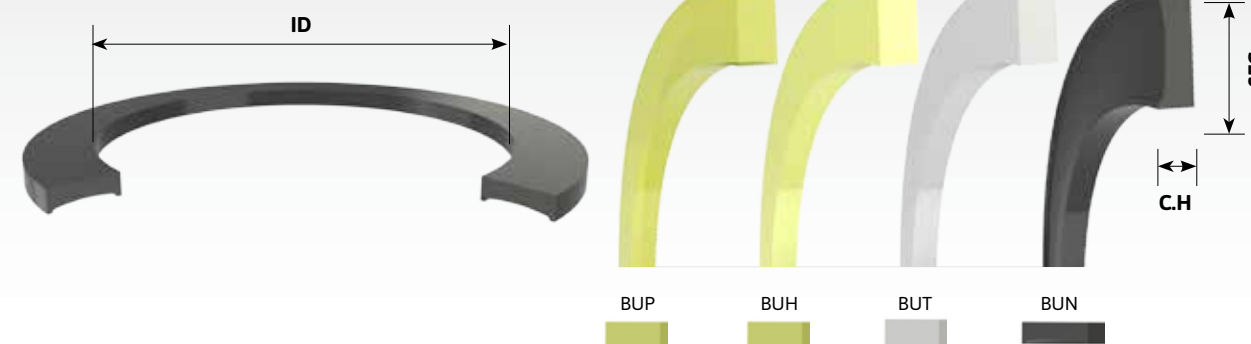
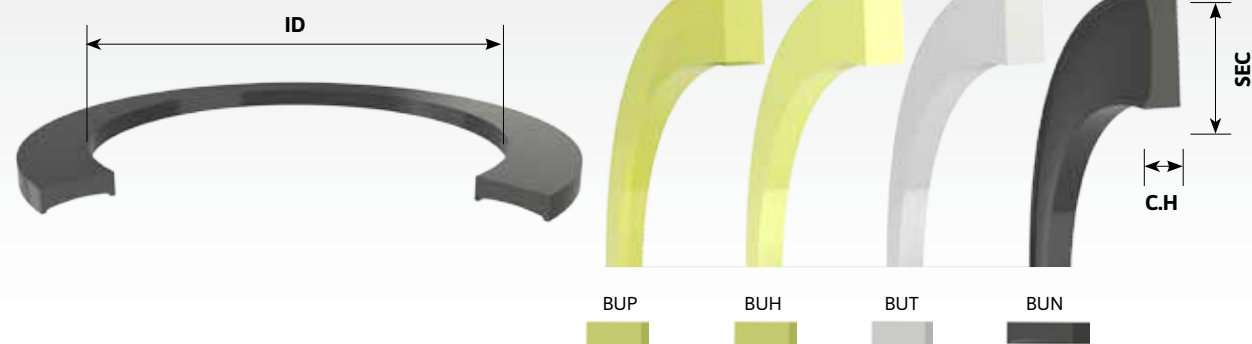
BS REF	NOMINAL		SEC	BUN CH	BAT CH	BUP/BUH CH	PART N°	PART N°	PART N°	PART N°
	ID	OD								
BS 248	4.750	5.000	0.118	0.040	0.040	0.040	BUN-248	BUT-248	BUP-248	BUH-248
BS 249	4.875	5.125	0.118	0.040	0.040	0.040	BUN-249	BUT-249	BUP-249	BUH-249
BS 250	5.000	5.250	0.118	0.040	0.040	0.040	BUN-250	BUT-250	BUP-250	BUH-250
BS 251	5.125	5.375	0.118	0.040	0.040	0.040	BUN-251	BUT-251	BUP-251	BUH-251
BS 252	5.250	5.500	0.118	0.040	0.040	0.040	BUN-252	BUT-252	BUP-252	BUH-252
BS 253	5.375	5.625	0.118	0.040	0.040	0.040	BUN-253	BUT-253	BUP-253	BUH-253
BS 254	5.500	5.750	0.118	0.040	0.040	0.040	BUN-254	BUT-254	BUP-254	BUH-254
BS 255	5.625	5.875	0.118	0.040	0.040	0.040	BUN-255	BUT-255	BUP-255	BUH-255
BS 256	5.750	6.000	0.118	0.040	0.040	0.040	BUN-256	BUT-256	BUP-256	BUH-256
BS 257	5.875	6.125	0.118	0.040	0.040	0.040	BUN-257	BUT-257	BUP-257	BUH-257
BS 258	6.000	6.250	0.118	0.040	0.040	0.040	BUN-258	BUT-258	BUP-258	BUH-258
BS 259	6.250	6.500	0.118	0.040	0.040	0.040	BUN-259	BUT-259	BUP-259	BUH-259
BS 260	6.500	6.750	0.118	0.040	0.040	0.040	BUN-260	BUT-260	BUP-260	BUH-260
BS 261	6.750	7.000	0.118	0.040	0.040	0.040	BUN-261	BUT-261	BUP-261	BUH-261
BS 262	7.000	7.250	0.118	0.040	0.040	0.040	BUN-262	BUT-262	BUP-262	BUH-262
BS 263	7.250	7.500	0.118	0.040	0.040	0.040	BUN-263	BUT-263	BUP-263	BUH-263
BS 264	7.500	7.750	0.118	0.040	0.040	0.040	BUN-264	BUT-264	BUP-264	BUH-264
BS 265	7.750	8.000	0.118	0.040	0.040	0.040	BUN-265	BUT-265	BUP-265	BUH-265
BS 266	8.000	8.250	0.118	0.040	0.040	0.040	BUN-266	BUT-266	BUP-266	BUH-266
BS 267	8.250	8.500	0.118	0.040	0.040	0.040	BUN-267	BUT-267	BUP-267	BUH-267
BS 268	8.500	8.750	0.118	0.040	0.040	0.040	BUN-268	BUT-268	BUP-268	BUH-268
BS 269	8.750	9.000	0.118	0.040	0.040	0.040	BUN-269	BUT-269	BUP-269	BUH-269
BS 270	9.000	9.250	0.118	0.040	0.040	0.040	BUN-270	BUT-270	BUP-270	BUH-270
BS 271	9.250	9.500	0.118	0.040	0.040	0.040	BUN-271	BUT-271	BUP-271	BUH-271
BS 272	9.500	9.750	0.118	0.040	0.040	0.040	BUN-272	BUT-272	BUP-272	BUH-272
BS 273	9.750	10.000	0.118	0.040	0.040	0.040	BUN-273	BUT-273	BUP-273	BUH-273
BS 274	10.000	10.250	0.118	0.040	0.040	0.040	BUN-274	BUT-274	BUP-274	BUH-274
BS 275	10.500	10.750	0.118	0.040	0.040	0.040	BUN-275	BUT-275	BUP-275	BUH-275
BS 276	11.000	11.250	0.118	0.040	0.040	0.040	BUN-276	BUT-276	BUP-276	BUH-276
BS 277	11.500	11.750	0.118	0.040	0.040	0.040	BUN-277	BUT-277	BUP-277	BUH-277
BS 278	12.000	12.250	0.118	0.040	0.040	0.040	BUN-278	BUT-278	BUP-278	BUH-278
BS 279	13.000	13.250	0.118	0.040	0.040	0.040	BUN-279	BUT-279	BUP-279	BUH-279
BS 280	14.000	14.250	0.118	0.040	0.040	0.040	BUN-280	BUT-280	BUP-280	BUH-280
BS 281	15.000	15.250	0.118	0.040	0.040	0.040	BUN-281	BUT-281	BUP-281	BUH-281
BS 282	16.000	16.250	0.118	0.040	0.040	0.040	BUN-282	BUT-282	BUP-282	BUH-282
BS 283	17.000	17.250	0.118	0.040	0.040	0.040	BUN-283	BUT-283	BUP-283	BUH-283
BS 284	18.000	18.250	0.118	0.040	0.040	0.040	BUN-284	BUT-284	BUP-284	BUH-284
BS 309	0.437	0.812	0.183	0.060	0.055	0.055	BUN-309	BUT-309	BUP-309	BUH-309
BS 310	0.499	0.874	0.183	0.060	0.055	0.055	BUN-310	BUT-310	BUP-310	BUH-310
BS 311	0.562	0.937	0.183	0.060	0.055	0.055	BUN-311	BUT-311	BUP-311	BUH-311
BS 312	0.624	0.999	0.183	0.060	0.055	0.055	BUN-312	BUT-312	BUP-312	BUH-312
BS 313	0.687	1.062	0.183	0.060	0.055	0.055	BUN-313	BUT-313	BUP-313	BUH-313
BS 314	0.749	1.124	0.183	0.060	0.055	0.055	BUN-314	BUT-314	BUP-314	BUH-314

BACK-UP WASHERS IMPERIAL

BACK-UP WASHERS IMPERIAL

BACK-UP WASHERS IMPERIAL

BACK-UP WASHERS IMPERIAL



NITRILE 80 DURO **PTFE** **POLYURTHANE 90 DURO** **HYTREL®**

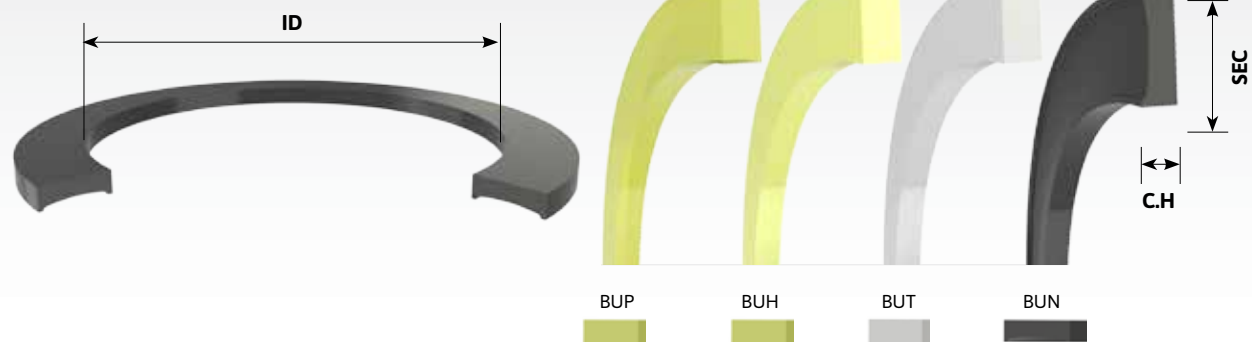
BS REF	NOMINAL		SEC	BUN CH	BAT CH	BUP/BUH CH	PART N ^o	PART N ^o	PART N ^o	PART N ^o
	ID	OD								
BS 315	0.812	1.187	0.183	0.060	0.055	0.055	BUN-315	BUT-315	BUP-315	BUH-315
BS 316	0.874	1.249	0.183	0.060	0.055	0.055	BUN-316	BUT-316	BUP-316	BUH-316
BS 317	0.937	1.312	0.183	0.060	0.055	0.055	BUN-317	BUT-317	BUP-317	BUH-317
BS 318	0.999	1.374	0.183	0.060	0.055	0.055	BUN-318	BUT-318	BUP-318	BUH-318
BS 319	1.062	1.437	0.183	0.060	0.055	0.055	BUN-319	BUT-319	BUP-319	BUH-319
BS 320	1.124	1.499	0.183	0.060	0.055	0.055	BUN-320	BUT-320	BUP-320	BUH-320
BS 321	1.187	1.562	0.183	0.060	0.055	0.055	BUN-321	BUT-321	BUP-321	BUH-321
BS 322	1.249	1.624	0.183	0.060	0.055	0.055	BUN-322	BUT-322	BUP-322	BUH-322
BS 323	1.312	1.687	0.183	0.060	0.055	0.055	BUN-323	BUT-323	BUP-323	BUH-323
BS 324	1.374	1.749	0.183	0.060	0.055	0.055	BUN-324	BUT-324	BUP-324	BUH-324
BS 325	1.500	1.875	0.183	0.060	0.055	0.055	BUN-325	BUT-325	BUP-325	BUH-325
BS 326	1.625	2.000	0.183	0.060	0.055	0.055	BUN-326	BUT-326	BUP-326	BUH-326
BS 327	1.750	2.125	0.183	0.060	0.055	0.055	BUN-327	BUT-327	BUP-327	BUH-327
BS 328	1.875	2.250	0.183	0.060	0.055	0.055	BUN-328	BUT-328	BUP-328	BUH-328
BS 329	2.000	2.375	0.183	0.060	0.055	0.055	BUN-329	BUT-329	BUP-329	BUH-329
BS 330	2.125	2.500	0.183	0.060	0.055	0.055	BUN-330	BUT-330	BUP-330	BUH-330
BS 331	2.250	2.625	0.183	0.060	0.055	0.055	BUN-331	BUT-331	BUP-331	BUH-331
BS 332	2.375	2.750	0.183	0.060	0.055	0.055	BUN-332	BUT-332	BUP-332	BUH-332
BS 333	2.500	2.875	0.183	0.060	0.055	0.055	BUN-333	BUT-333	BUP-333	BUH-333
BS 334	2.625	3.000	0.183	0.060	0.055	0.055	BUN-334	BUT-334	BUP-334	BUH-334
BS 335	2.750	3.125	0.183	0.060	0.055	0.055	BUN-335	BUT-335	BUP-335	BUH-335
BS 336	2.875	3.250	0.183	0.060	0.055	0.055	BUN-336	BUT-336	BUP-336	BUH-336
BS 337	3.000	3.375	0.183	0.060	0.055	0.055	BUN-337	BUT-337	BUP-337	BUH-337
BS 338	3.125	3.500	0.183	0.060	0.055	0.055	BUN-338	BUT-338	BUP-338	BUH-338
BS 339	3.250	3.625	0.183	0.060	0.055	0.055	BUN-339	BUT-339	BUP-339	BUH-339
BS 340	3.375	3.750	0.183	0.060	0.055	0.055	BUN-340	BUT-340	BUP-340	BUH-340
BS 341	3.500	3.875	0.183	0.060	0.055	0.055	BUN-341	BUT-341	BUP-341	BUH-341
BS 342	3.625	4.000	0.183	0.060	0.055	0.055	BUN-342	BUT-342	BUP-342	BUH-342
BS 343	3.750	4.125	0.183	0.060	0.055	0.055	BUN-343	BUT-343	BUP-343	BUH-343
BS 344	3.875	4.250	0.183	0.060	0.055	0.055	BUN-344	BUT-344	BUP-344	BUH-344
BS 345	4.000	4.375	0.183	0.060	0.055	0.055	BUN-345	BUT-345	BUP-345	BUH-345
BS 346	4.125	4.500	0.183	0.060	0.055	0.055	BUN-346	BUT-346	BUP-346	BUH-346
BS 347	4.250	4.625	0.183	0.060	0.055	0.055	BUN-347	BUT-347	BUP-347	BUH-347
BS 348	4.375	4.750	0.183	0.060	0.055	0.055	BUN-348	BUT-348	BUP-348	BUH-348
BS 349	4.500	4.875	0.183	0.060	0.055	0.055	BUN-349	BUT-349	BUP-349	BUH-349
BS 350	4.625	5.000	0.183	0.060	0.055	0.055	BUN-350	BUT-350	BUP-350	BUH-350
BS 351	4.750	5.125	0.183	0.060	0.055	0.055	BUN-351	BUT-351	BUP-351	BUH-351
BS 352	4.875	5.250	0.183	0.060	0.055	0.055	BUN-352	BUT-352	BUP-352	BUH-352
BS 353	5.000	5.375	0.183	0.060	0.055	0.055	BUN-353	BUT-353	BUP-353	BUH-353
BS 354	5.125	5.500	0.183	0.060	0.055	0.055	BUN-354	BUT-354	BUP-354	BUH-354
BS 355	5.250	5.625	0.183	0.060	0.055	0.055	BUN-355	BUT-355	BUP-355	BUH-355
BS 356	5.375	5.750	0.183	0.060	0.055	0.055	BUN-356	BUT-356	BUP-356	BUH-356
BS 357	5.500	5.875	0.183	0.060	0.055	0.055	BUN-357	BUT-357	BUP-357	BUH-357

NITRILE 80 DURO **PTFE** **POLYURTHANE 90 DURO** **HYTREL®**

BS REF	NOMINAL		SEC	BUN CH	BAT CH	BUP/BUH CH	PART N ^o	PART N ^o	PART N ^o	PART N ^o
	ID	OD								
BS 358	5.625	6.000	0.183	0.060	0.055	0.055	BUN-358	BUT-358	BUP-358	BUH-358
BS 359	5.750	6.125	0.183	0.060	0.055	0.055	BUN-359	BUT-359	BUP-359	BUH-359
BS 360	5.875	6.250	0.183	0.060	0.055	0.055	BUN-360	BUT-360	BUP-360	BUH-360
BS 361	6.000	6.375	0.183	0.060	0.055	0.055	BUN-361	BUT-361	BUP-361	BUH-361
BS 362	6.250	6.625	0.183	0.060	0.055	0.055	BUN-362	BUT-362	BUP-362	BUH-362
BS 363	6.500	6.875	0.183	0.060	0.055	0.055	BUN-363	BUT-363	BUP-363	BUH-363
BS 364	6.750	7.125	0.183	0.060	0.055	0.055	BUN-364	BUT-364	BUP-364	BUH-364
BS 365	7.000	7.375	0.183	0.060	0.055	0.055	BUN-365	BUT-365	BUP-365	BUH-365
BS 366	7.250	7.625	0.183	0.060	0.055	0.055	BUN-366	BUT-366	BUP-366	BUH-366
BS 367	7.500	7.875	0.183	0.060	0.055	0.055	BUN-367	BUT-367	BUP-367	BUH-367
BS 368	7.750	8.125	0.183	0.060	0.055	0.055	BUN-368	BUT-368	BUP-368	BUH-368
BS 369	8.000	8.375	0.183	0.060	0.055	0.055	BUN-369	BUT-369	BUP-369	BUH-369
BS 370	8.250	8.625	0.183	0.060	0.055	0.055	BUN-370	BUT-370	BUP-370	BUH-370
BS 371	8.500	8.875	0.183	0.060	0.055	0.055	BUN-371	BUT-371	BUP-371	BUH-371
BS 372	8.750	9.125	0.183	0.060	0.055	0.055	BUN-372	BUT-372	BUP-372	BUH-372
BS 373	9.000	9.375	0.183	0.060	0.055	0.055	BUN-373	BUT-373	BUP-373	BUH-373
BS 374	9.250	9.625	0.183	0.060	0.055	0.055	BUN-374	BUT-374	BUP-374	BUH-374
BS 375	9.500	9.875	0.183	0.060	0.055	0.055	BUN-375	BUT-375	BUP-375	BUH-375
BS 376	9.750	10.125	0.183	0.060	0.055	0.055	BUN-376	BUT-376	BUP-376	BUH-376
BS 377	10.000	10.375	0.183	0.060	0.055	0.055	BUN-377	BUT-377	BUP-377	BUH-377
BS 378	10.500	10.875	0.183	0.060	0.055	0.055	BUN-378	BUT-378	BUP-378	BUH-378
BS 379	11.000	11.375	0.183	0.060	0.055	0.055	BUN-379	BUT-379	BUP-379	BUH-379
BS 380	11.500	11.875	0.183	0.060	0.055	0.055	BUN-380	BUT-380	BUP-380	BUH-380
BS 381	12.000	12.375	0.183	0.060	0.055	0.055	BUN-381	BUT-381	BUP-381	BUH-381
BS 382	13.000	13.375	0.183	0.060	0.055	0.055	BUN-382	BUT-382	BUP-382	BUH-382
BS 383	14.000	14.375	0.183	0.060	0.055	0.055	BUN-383	BUT-383	BUP-383	BUH-383
BS 384	15.000	15.375	0.183	0.060	0.055	0.055	BUN-384	BUT-384	BUP-384	BUH-384
BS 385	16.000	16.375	0.183	0.060	0.055		BUN-385	BUT-385		
BS 386	17.000	17.375	0.183	0.060	0.055		BUN-386	BUT-386		
BS 387	18.000	18.375	0.183	0.060	0.055		BUN-387	BUT-387		
BS 388	19.000	19.375	0.183	0.060	0.055		BUN-388	BUT-388		
BS 389	20.000	20.375	0.183	0.060	0.055		BUN-389	BUT-389		
BS 390	21.000	21.375	0.183	0.060	0.055	0.055	BUN-390	BUT-390	BUP-390	BUH-390
BS 425	4.500	5.000	0.236	0.096	0.085	0.085	BUN-425	BUT-425	BUP-425	BUH-425
BS 426	4.625	5.125	0.236	0.096	0.085	0.085	BUN-426	BUT-426	BUP-426	BUH-426
BS 427	4.750	5.250	0.236	0.096	0.085	0.085	BUN-427	BUT-427	BUP-427	BUH-427
BS 428	4.875	5.375	0.236	0.096	0.085	0.085	BUN-428	BUT-428	BUP-428	BUH-428
BS 429	5.000	5.500	0.236	0.096	0.085	0.085	BUN-429	BUT-429	BUP-429	BUH-429
BS 430	5.125	5.625	0.236	0.096	0.085	0.085	BUN-430	BUT-430	BUP-430	BUH-430
BS 431	5.250	5.750	0.236	0.096	0.085	0.085	BUN-431	BUT-431	BUP-431	BUH-431
BS 432	5.375	5.875	0.236	0.096	0.085	0.085	BUN-432	BUT-432	BUP-432	BUH-432
BS 433	5.500	6.000	0.236	0.096	0.085	0.085	BUN-433	BUT-433	BUP-433	BUH-433
BS 434	5.625	6.125	0.236	0.096	0.085	0.085	BUN-434	BUT-434	BUP-434	BUH-434

BACK-UP WASHERS IMPERIAL

BACK-UP WASHERS IMPERIAL



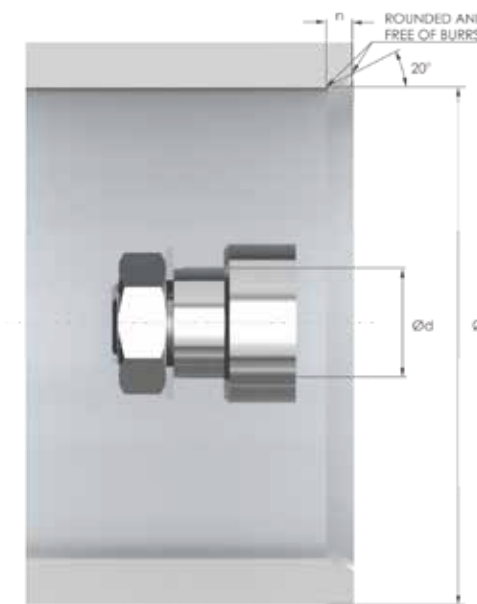
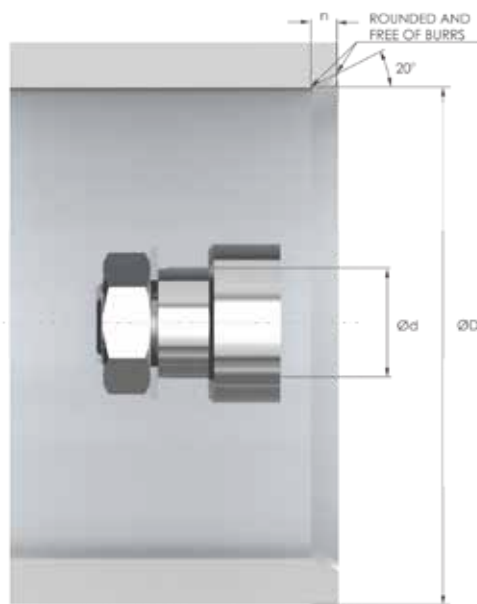
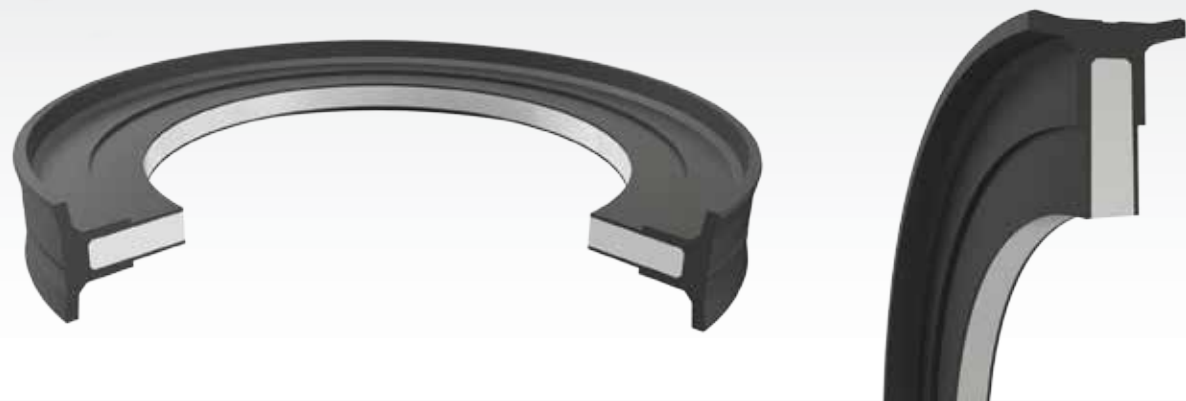
BS REF	NOMINAL		SEC	BUN CH	BAT CH	BUP/BUH CH	NITRILE	PTFE	POLYURTHANE	HYTREL®
	ID	OD					80 DURO	90 DURO		
BS 435	5.750	6.250	0.236	0.096	0.085	0.085	BUN-435	BUT-435	BUP-435	BUH-435
BS 436	5.875	6.375	0.236	0.096	0.085	0.085	BUN-436	BUT-436	BUP-436	BUH-436
BS 437	6.000	6.500	0.236	0.096	0.085	0.085	BUN-437	BUT-437	BUP-437	BUH-437
BS 438	6.250	6.750	0.236	0.096	0.085	0.085	BUN-438	BUT-438	BUP-438	BUH-438
BS 439	6.500	7.000	0.236	0.096	0.085	0.085	BUN-439	BUT-439	BUP-439	BUH-439
BS 440	6.750	7.250	0.236	0.096	0.085	0.085	BUN-440	BUT-440	BUP-440	BUH-440
BS 441	7.000	7.500	0.236	0.096	0.085	0.085	BUN-441	BUT-441	BUP-441	BUH-441
BS 442	7.250	7.750	0.236	0.096	0.085	0.085	BUN-442	BUT-442	BUP-442	BUH-442
BS 443	7.500	8.000	0.236	0.096	0.085	0.085	BUN-443	BUT-443	BUP-443	BUH-443
BS 444	7.750	8.250	0.236	0.096	0.085	0.085	BUN-444	BUT-444	BUP-444	BUH-444
BS 445	8.000	8.500	0.236	0.096	0.085	0.085	BUN-445	BUT-445	BUP-445	BUH-445
BS 446	8.500	9.000	0.236	0.096	0.085	0.085	BUN-446	BUT-446	BUP-446	BUH-446
BS 447	9.000	9.500	0.236	0.096	0.085	0.085	BUN-447	BUT-447	BUP-447	BUH-447
BS 448	9.500	10.000	0.236	0.096	0.085	0.085	BUN-448	BUT-448	BUP-448	BUH-448
BS 449	10.000	10.500	0.236	0.096	0.085	0.085	BUN-449	BUT-449	BUP-449	
BS 450	10.500	11.000	0.236	0.096	0.085	0.085	BUN-450	BUT-450	BUP-450	BUH-450
BS 451	11.000	11.500	0.236	0.096	0.085	0.085	BUN-451	BUT-451	BUP-451	BUH-451
BS 452	11.500	12.000	0.236	0.096	0.085	0.085	BUN-452	BUT-452	BUP-452	BUH-452
BS 453	12.000	12.500	0.236	0.096	0.085	0.085	BUN-453	BUT-453	BUP-453	BUH-453
BS 454	12.500	13.000	0.236	0.096	0.085	0.085	BUN-454	BUT-454	BUP-454	BUH-454
BS 455	13.000	13.500	0.236	0.096	0.085	0.085	BUN-455	BUT-455	BUP-455	BUH-455
BS 456	13.500	14.000	0.236	0.096	0.085	0.085	BUN-456	BUT-456	BUP-456	BUH-456
BS 457	14.000	14.500	0.236	0.096	0.085	0.085	BUN-457	BUT-457	BUP-457	
BS 458	14.500	15.000	0.236	0.096	0.085	0.085	BUN-458	BUT-458	BUP-458	
BS 459	15.000	15.500	0.236	0.096	0.085	0.085	BUN-459	BUT-459	BUP-459	
BS 460	15.500	16.000	0.236	0.096	0.085	0.085	BUN-460	BUT-460	BUP-460	
BS 461	16.000	16.500	0.236	0.096	0.085		BUN-461	BUT-461		
BS 462	16.500	17.000	0.236	0.096	0.085		BUN-462	BUT-462		
BS 463	17.000	17.500	0.236	0.096	0.085		BUN-463	BUT-463		
BS 464	17.500	18.000	0.236	0.096	0.085		BUN-464	BUT-464		
BS 465	18.000	18.500	0.236	0.096	0.085		BUN-465	BUT-465		
BS 466	18.500	19.000	0.236	0.096	0.085		BUN-466	BUT-466		
BS 467	19.000	19.500	0.236	0.096	0.085		BUN-467	BUT-467		
BS 468	19.500	20.000	0.236	0.096	0.085		BUN-468	BUT-468		
BS 469	20.000	20.500	0.236	0.096	0.085		BUN-469	BUT-469		
BS 470	21.000	21.500	0.236	0.096	0.085		BUN-470	BUT-470		
BS 471	22.000	22.500	0.236	0.096	0.085		BUN-471	BUT-471		
BS 472	23.000	23.500	0.236	0.096	0.085		BUN-472	BUT-472		
BS 473	24.000	24.500	0.236	0.096	0.085		BUN-473	BUT-473		
BS 474	25.000	25.500	0.236	0.096	0.085		BUN-474	BUT-474		
BS 475	26.000	26.500	0.236	0.096	0.085		BUN-475	BUT-475		



PNEUMATICS

DAP

DAPS



TECHNICAL SPECIFICATIONS

SPECIFIED TOLERANCES		
ØD	Ød	L1
Js11	h9	+0.2 (+ 0.008) +0.4 (+ 0.016)

MAXIMUM OPERATING CONDITIONS		
Temp °C	Pressure	Speed
- 30° to + 105° C	16 bar (232 psi)	1.0 m/sec (3.0 ft/sec)

SURFACE FINISH	
DYNAMIC SEALING SURFACE	0.1 to 0.4 µm Ra
STATIC SEALING SURFACE	0.8 to 1.6 µm Ra
STATIC HOUSING FACE	1.4 to 3.2 µm Ra

MAXIMUM EXTRUSION GAP V PRESSURE			
G mm	Bar	G inches	p.s.i
0.60	100	0.024	1500
0.50	150	0.020	2400
0.45	250	0.018	3750
0.40	300	0.016	4500

RADII AND CHAMFER						
S mm	4.00	5.00	7.50	10.00	12.50	15.00
R mm	0.20	0.40	0.80	0.80	1.20	1.60
C mm	3.20	4.00	6.00	8.00	10.00	12.00
S inches	0.125	0.187	0.250	0.312	0.375	0.500
R inches	0.008	0.016	0.032	0.032	0.048	0.062
C inches	0.100	0.150	0.200	0.250	0.300	0.400

DESIGN

- Double acting complete piston seal manufactured with a steel core.
- Design is a ready to fit piston with a long service life.
- Design promotes minimal interference for decreased wear and friction.

MATERIAL

- 75A Nitrile precision moulded shell.
- Common carbon Steel center core.

APPLICATION

- Iron and Aluminium General purpose pneumatic cylinders.

FLUIDS

- Dried and de-greased compressed air.

TECHNICAL SPECIFICATIONS

SPECIFIED TOLERANCES		
ØD	Ød	L1
Js11	h9	+0.2 (+ 0.008) +0.4 (+ 0.016)

MAXIMUM OPERATING CONDITIONS		
Temp °C	Pressure	Speed
- 30° to + 105° C	16 bar (232 psi)	1.0 m/sec (3.0 ft/sec)

SURFACE FINISH	
DYNAMIC SEALING SURFACE	0.1 to 0.4 µm Ra
STATIC SEALING SURFACE	0.8 to 1.6 µm Ra
STATIC HOUSING FACE	1.4 to 3.2 µm Ra

MAXIMUM EXTRUSION GAP V PRESSURE			
G mm	Bar	G inches	p.s.i
0.60	100	0.024	1500
0.50	150	0.020	2400
0.45	250	0.018	3750
0.40	300	0.016	4500

RADII AND CHAMFER						
S mm	4.00	5.00	7.50	10.00	12.50	15.00
R mm	0.20	0.40	0.80	0.80	1.20	1.60
C mm	3.20	4.00	6.00	8.00	10.00	12.00
S inches	0.125	0.187	0.250	0.312	0.375	0.500
R inches	0.008	0.016	0.032	0.032	0.048	0.062
C inches	0.100	0.150	0.200	0.250	0.300	0.400

DESIGN

- Double acting complete piston seal manufactured with a steel core.
- Design is a ready to fit piston with a long service life.
- Integrated garter spring promotes superior sealing performance at low pressures.

MATERIAL

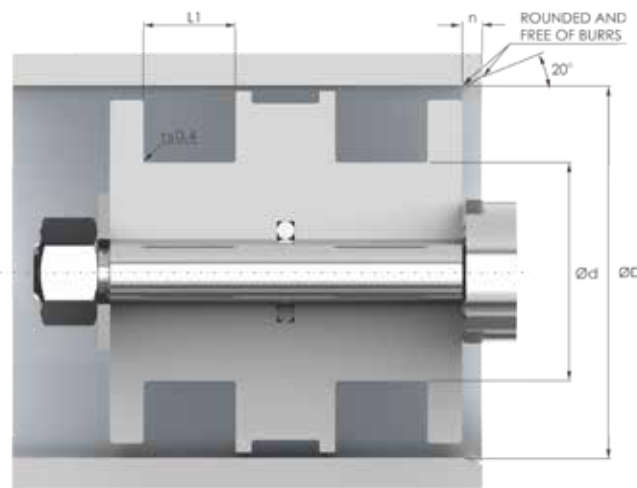
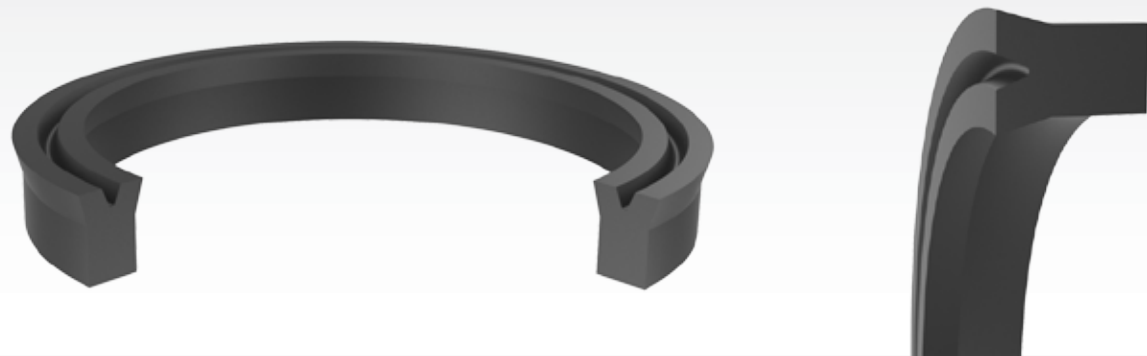
- 90A Nitrile precision moulded shell.
- Common carbon steel center core.
- Stainless steel garter spring.

APPLICATION

- Iron and Aluminium General purpose pneumatic cylinders.

FLUIDS

- Dried and de-greased compressed air.



TECHNICAL SPECIFICATIONS

SPECIFIED TOLERANCES		
ØD	Ød	L1
Js11	h9	+0.2 (+ 0.008) +0.4 (+ 0.016)

MAXIMUM OPERATING CONDITIONS		
Temp °C	Pressure	Speed
- 30° to + 100° C	150 bar (4500 psi)	4.0 m/sec (12.0 ft/sec)

SURFACE FINISH	
DYNAMIC SEALING SURFACE	0.1 to 0.4 µm Ra
STATIC SEALING SURFACE	0.8 to 1.6 µm Ra
STATIC HOUSING FACE	1.4 to 3.2 µm Ra

MAXIMUM EXTRUSION GAP V PRESSURE			
G mm	Bar	G inches	p.s.i
0.60	100	0.024	1500
0.50	150	0.020	2400
0.45	250	0.018	3750
0.40	300	0.016	4500

RADII AND CHAMFER						
S mm	4.00	5.00	7.50	10.00	12.50	15.00
R mm	0.20	0.40	0.80	0.80	1.20	1.60
C mm	3.20	4.00	6.00	8.00	10.00	12.00
S inches	0.125	0.187	0.250	0.312	0.375	0.500
R inches	0.008	0.016	0.032	0.032	0.048	0.062
C inches	0.100	0.150	0.200	0.250	0.300	0.400

DESIGN

- Single acting rod and piston seal with symmetrical lips.
- Easy assembly into closed groove.

MATERIAL

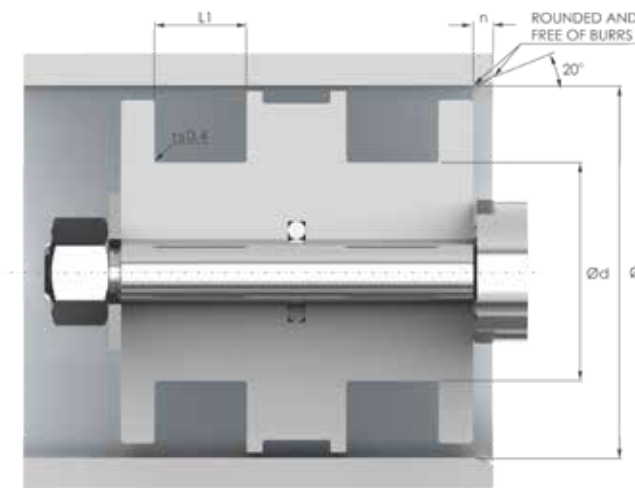
- NBR 90A Duro - precision moulded.

APPLICATION

- General purpose light to medium duty hydraulic rod seal.

FLUIDS

- Hydraulic fluids, petroleum fuels and oils



TECHNICAL SPECIFICATIONS

SPECIFIED TOLERANCES		
ØD	Ød	L1
Js11	h9	+0.2 (+ 0.008) +0.4 (+ 0.016)

MAXIMUM OPERATING CONDITIONS		
Temp °C	Pressure	Speed
- 30° to + 105° C	150 bar (2175 psi)	0.5 m/sec (1.5 ft/sec)

SURFACE FINISH	
DYNAMIC SEALING SURFACE	0.1 to 0.4 µm Ra
STATIC SEALING SURFACE	0.8 to 1.6 µm Ra
STATIC HOUSING FACE	1.4 to 3.2 µm Ra

MAXIMUM EXTRUSION GAP V PRESSURE			
G mm	Bar	G inches	p.s.i
0.60	150	0.024	2175
0.40	250	0.016	3625
0.30	40	0.012	5800

RADII AND CHAMFER						
S mm	4.00	5.00	7.50	10.00	12.50	15.00
R mm	0.20	0.40	0.80	0.80	1.20	1.60
C mm	3.20	4.00	6.00	8.00	10.00	12.00
S inches	0.125	0.187	0.250	0.312	0.375	0.500
R inches	0.008	0.016	0.032	0.032	0.048	0.062
C inches	0.100	0.150	0.200	0.250	0.300	0.400

DESIGN

- Single acting piston seal.
- Deep groove ensures low friction and linear movement at low pressures.

MATERIAL

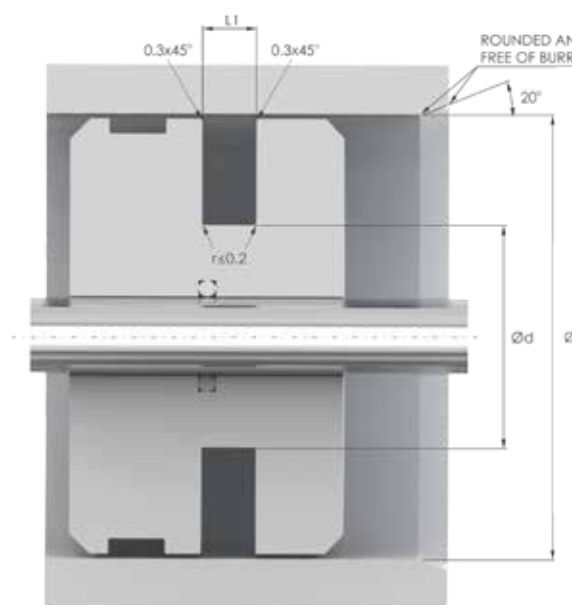
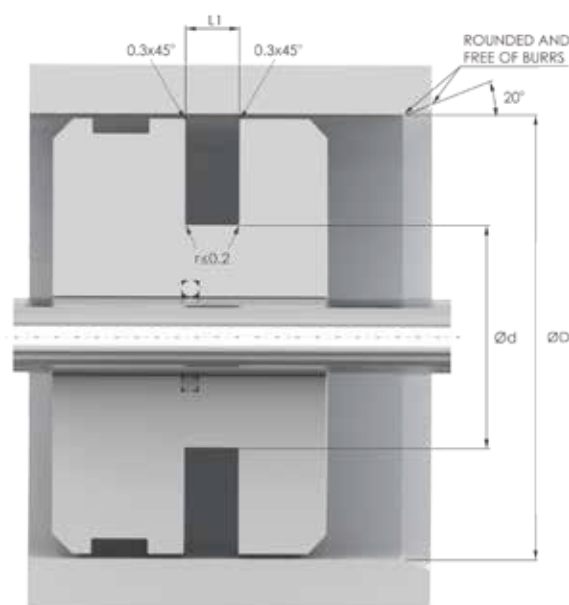
- Nitrile rubber seal.

APPLICATION

- Used in pneumatic and light duty hydraulic applications.

FLUIDS

- Hydraulic fluids, petroleum fuels and oils



TECHNICAL SPECIFICATIONS

SPECIFIED TOLERANCES		
ØD	Ød	L1
Js11	h9	+0.2 (+ 0.008) +0.4 (+ 0.016)

MAXIMUM OPERATING CONDITIONS		
Temp °C	Pressure	Speed
- 30° to + 105° C	12 bar (180 psi)	1.0 m/sec (3.0 ft/sec)

SURFACE FINISH	
DYNAMIC SEALING SURFACE	0.1 to 0.4 µm Ra
STATIC SEALING SURFACE	0.8 to 1.6 µm Ra
STATIC HOUSING FACE	1.4 to 3.2 µm Ra

MAXIMUM EXTRUSION GAP V PRESSURE			
G mm	Bar	G inches	p.s.i
0.60	100	0.024	1500
0.50	150	0.020	2400
0.45	250	0.018	3750
0.40	300	0.016	4500

RADII AND CHAMFER						
S mm	4.00	5.00	7.50	10.00	12.50	15.00
R mm	0.20	0.40	0.80	0.80	1.20	1.60
C mm	3.20	4.00	6.00	8.00	10.00	12.00
S inches	0.125	0.187	0.250	0.312	0.375	0.500
R inches	0.008	0.016	0.032	0.032	0.048	0.062
C inches	0.100	0.150	0.200	0.250	0.300	0.400

DESIGN

- Double acting pneumatic piston seal designed to work in grooves with narrow groove heights.
- Easy installation and an economical sealing solution.

MATERIAL

- 70A Nitrile - precision moulded

APPLICATION

- Short stroke pneumatic cylinders and valves.

FLUIDS

- Dried and de-greased compressed air.

TECHNICAL SPECIFICATIONS

SPECIFIED TOLERANCES		
ØD	Ød	L1
Js11	h9	+0.2 (+ 0.008) +0.4 (+ 0.016)

MAXIMUM OPERATING CONDITIONS		
Temp °C	Pressure	Speed
- 30° to + 105° C	12 bar (180 psi)	4.0 m/sec (12.0 ft/sec)

SURFACE FINISH	
DYNAMIC SEALING SURFACE	0.1 to 0.4 µm Ra
STATIC SEALING SURFACE	0.8 to 1.6 µm Ra
STATIC HOUSING FACE	1.4 to 3.2 µm Ra

MAXIMUM EXTRUSION GAP V PRESSURE			
G mm	Bar	G inches	p.s.i
0.60	100	0.024	1500
0.50	150	0.020	2400
0.45	250	0.018	3750
0.40	300	0.016	4500

RADII AND CHAMFER						
S mm	4.00	5.00	7.50	10.00	12.50	15.00
R mm	0.20	0.40	0.80	0.80	1.20	1.60
C mm	3.20	4.00	6.00	8.00	10.00	12.00
S inches	0.125	0.187	0.250	0.312	0.375	0.500
R inches	0.008	0.016	0.032	0.032	0.048	0.062
C inches	0.100	0.150	0.200	0.250	0.300	0.400

DESIGN

- Double acting pneumatic piston seal designed to work in grooves with narrow groove heights.
- Easy installation and an economical sealing solution.
- Low interference design reduces friction.

MATERIAL

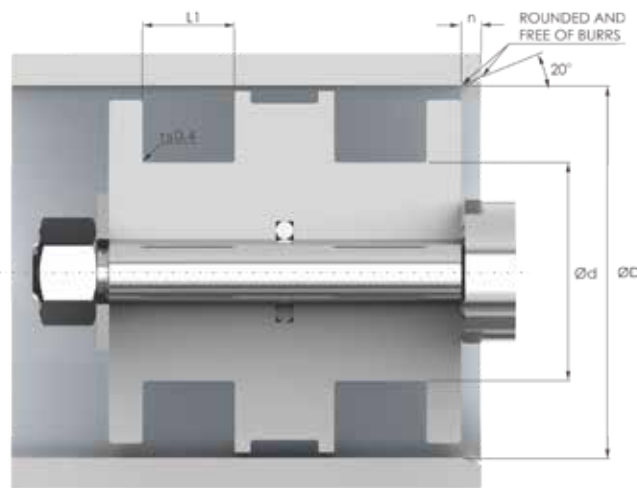
- 70A Nitrile - precision moulded

APPLICATION

- Short stroke pneumatic cylinders and valves.

FLUIDS

- Mineral-based oils, water/glycol and water emulsions.



TECHNICAL SPECIFICATIONS

SPECIFIED TOLERANCES

ØD	Ød	L1
Js11	h9	+0.2 (+ 0.008) +0.4 (+ 0.016)

MAXIMUM OPERATING CONDITIONS

Temp °C	Pressure	Speed
- 30° to + 100° C	100 bar (1500 psi)	0.5 m/sec (1.5 ft/sec)

SURFACE FINISH

DYNAMIC SEALING SURFACE	0.1 to 0.4 µm Ra
STATIC SEALING SURFACE	0.8 to 1.6 µm Ra
STATIC HOUSING FACE	1.4 to 3.2 µm Ra

MAXIMUM EXTRUSION GAP V PRESSURE

G mm	Bar	G inches	p.s.i
0.70	10	0.028	150
0.60	30	0.024	500
0.50	70	0.020	1000
0.40	100	0.016	1500

RADII AND CHAMFER

	4.00	5.00	7.50	10.00	12.50	15.00
S mm						
R mm	0.20	0.40	0.80	0.80	1.20	1.60
C mm	3.20	4.00	6.00	8.00	10.00	12.00
S inches	0.125	0.187	0.250	0.312	0.375	0.500
R inches	0.008	0.016	0.032	0.032	0.048	0.062
C inches	0.100	0.150	0.200	0.250	0.300	0.400

DESIGN

- Single acting rod or piston seal.
- Symmetrical lips permit use in both rod and piston applications.
- Deep groove ensures low friction and linear movement at low pressures.

MATERIAL

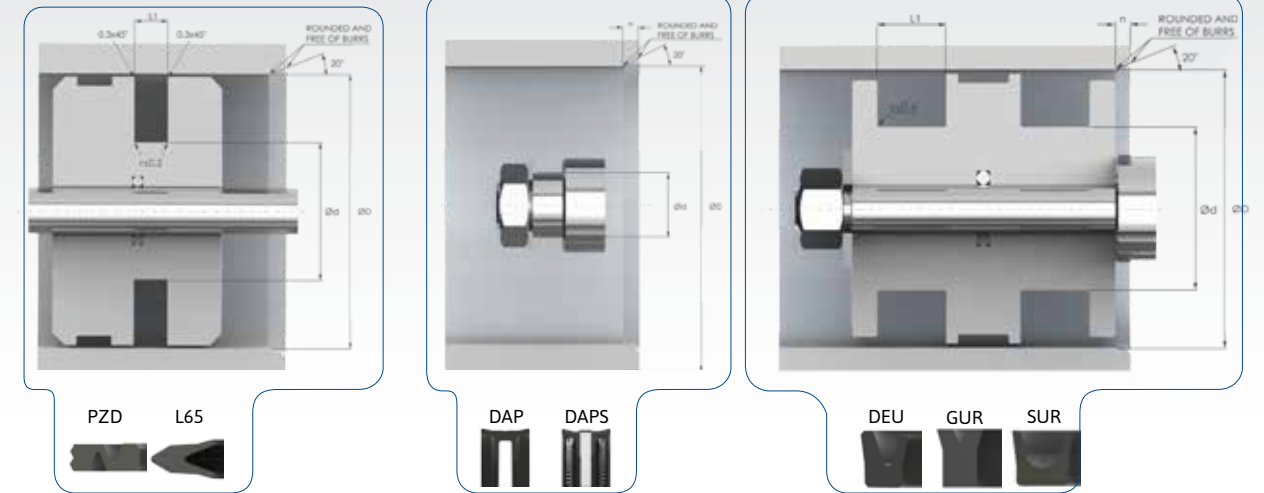
- Nitrile rubber seal.

APPLICATION

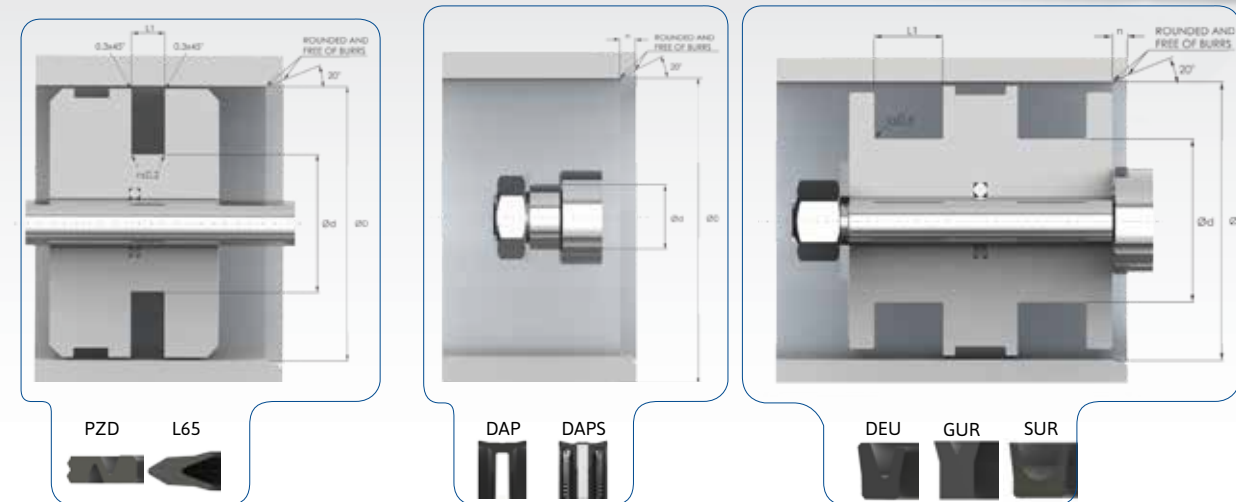
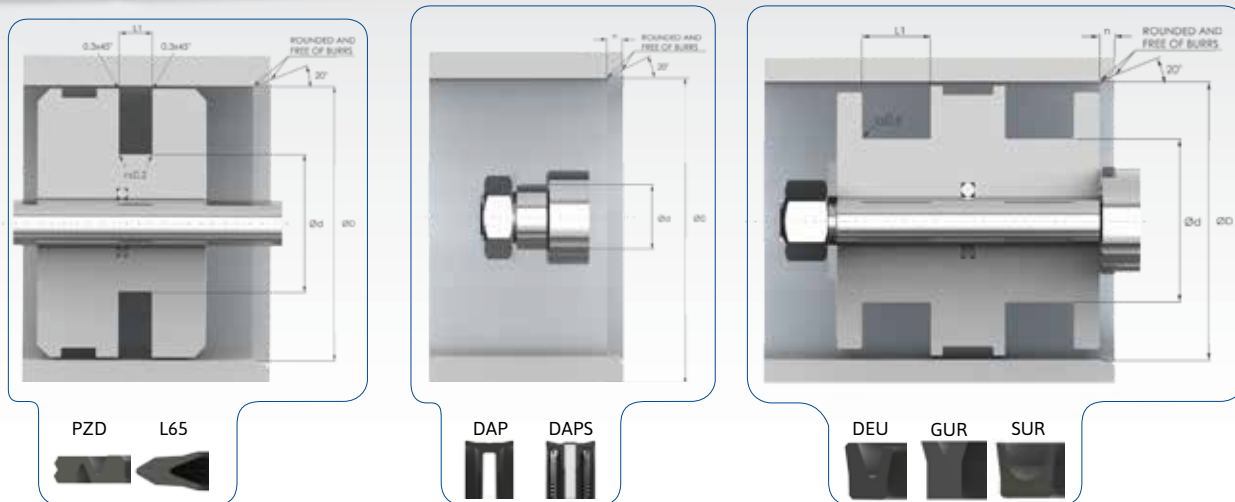
- Used in pneumatic and light duty hydraulic applications.

FLUIDS

- Hydraulic fluids, petroleum fuels and oils

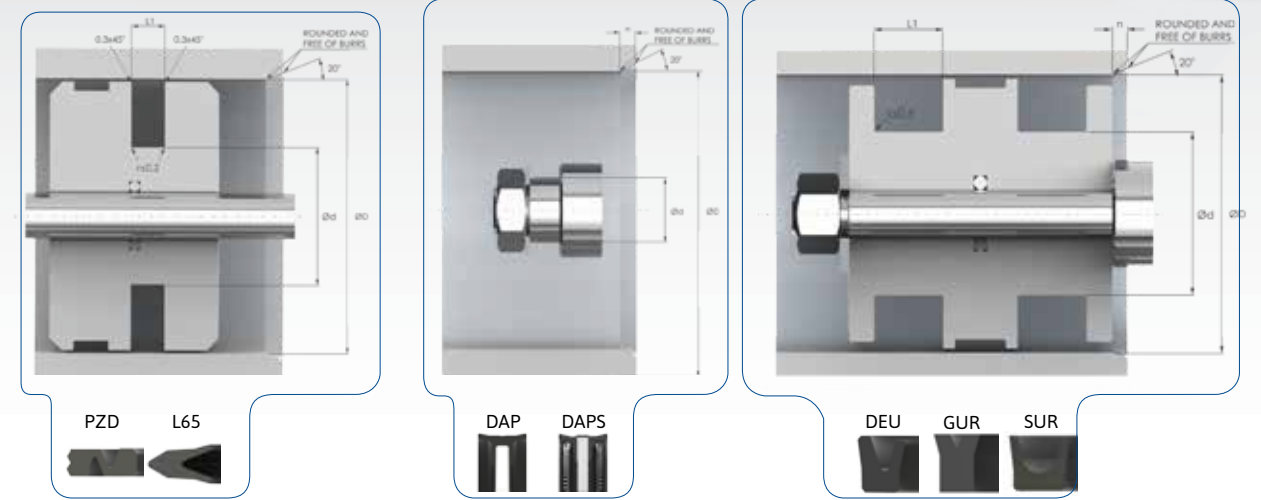
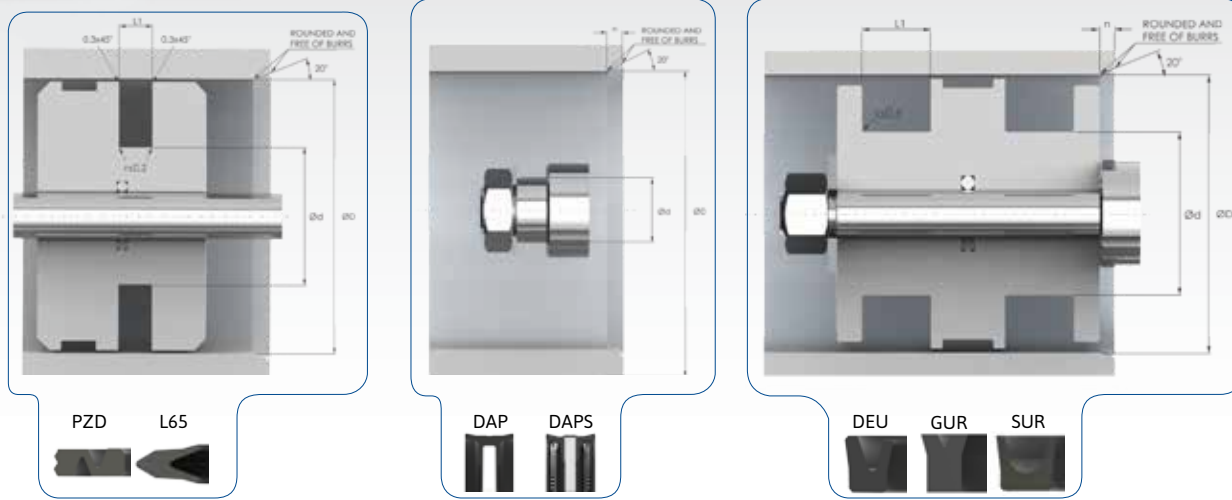


PART NO	PROFILE	HOUSING DIMENSIONS				REFERENCE
		ØD	Ød	SH	L1	
DEUM008004-025	DEU	8.00	4.00	2.50	3.00	R53873
DEUM0080040-025V	DEU	8.00	4.00	2.50	3.00	R86621
DEUM010006-025	DEU	10.00	6.00	2.50	3.00	R53847
GURM004012-040	GUR	12.00	4.00	4.00	4.50	RF4400
GURM005012-050	GUR	12.00	5.00	5.00	6.50	RF4401
DEUM012006-040	DEU	12.00	6.00	4.00	4.50	RF4800
DEUM012007-025	DEU	12.00	7.00	2.50	3.00	R53848
PZDM012007-025	PZD	12.00	7.00		2.50	
GURM005013-040	GUR	13.00	5.00	4.00	4.50	RF4402
GURM006014-040	GUR	14.00	6.00	4.00	4.50	RF4403
DEUM014008-025	DEU	14.00	8.00	2.50	3.00	R53849
GURM005015-050	GUR	15.00	5.00	5.00	5.50	
GURM007015-040	GUR	15.00	7.00	4.00	4.50	RF4408
GURM008015-060	GUR	15.00	8.00	6.00	7.50	RF4409
DEUM015009-025	DEU	15.00	9.00	2.55	3.00	
DEUM015011-027	DEU	15.00	11.00	2.70	3.00	
GURM006016-050	GUR	16.00	6.00	5.00	5.50	RF4404
GURM008016-040	GUR	16.00	8.00	4.00	4.50	RF4410
GURM008016-060	GUR	16.00	8.00	6.00	7.50	RF4411
PZDM016009-025	PZD	16.00	9.00		2.50	
DEUM016010-025	DEU	16.00	10.00	2.50	3.00	R85992
DEUM016010-040	DEU	16.00	10.00	4.00	5.50	RF4801
GURM006017-060	GUR	17.00	6.00	6.00	7.50	RF4405
GURM006018-080	GUR	18.00	6.00	6.00	9.50	RF4406
GURM008018-050	GUR	18.00	8.00	5.00	5.50	RF4412
GURM010018-040	GUR	18.00	10.00	4.00	4.50	RF4415
DEUM018012-025	DEU	18.00	12.00	2.50	3.00	R53850
PZDM018013-018	PZD	18.00	13.40		1.80	R45948
GURM006020-080	GUR	20.00	6.00	8.00	9.50	RF4407
GURM008020-060	GUR	20.00	8.00	6.00	6.60	RF4413
GURM010020-050	GUR	20.00	10.00	5.00	5.50	RF4416
GURM010020-080H	GUR	20.00	10.00	8.00	9.00	RF4418
GURM010020-080	GUR	20.00	10.00	8.00	9.50	RF4417
DEUM020012-055	DEU	20.00	12.00	5.50	7.00	RF4802
GURM012520-050H	GUR	20.00	12.50	5.00	5.50	
PZDM020013-025	PZD	20.00	13.00		2.50	
DEUM020014-025	DEU	20.00	14.00	2.50	3.00	R53851
PZDM020014-024	PZD	20.00	14.00		2.20	R46077
GURM010022-060	GUR	22.00	10.00	6.00	7.50	RF4419
GURM010022-080	GUR	22.00	10.00	8.00	9.50	RF4420
GURM012022-050	GUR	22.00	12.00	5.00	5.50	RF4424
GURM014022-040	GUR	22.00	14.00	4.00	4.50	RF4429
GURM016022-060	GUR	22.00	16.00	6.00	7.00	
GURM012024-060	GUR	24.00	12.00	6.00	7.50	RF4425



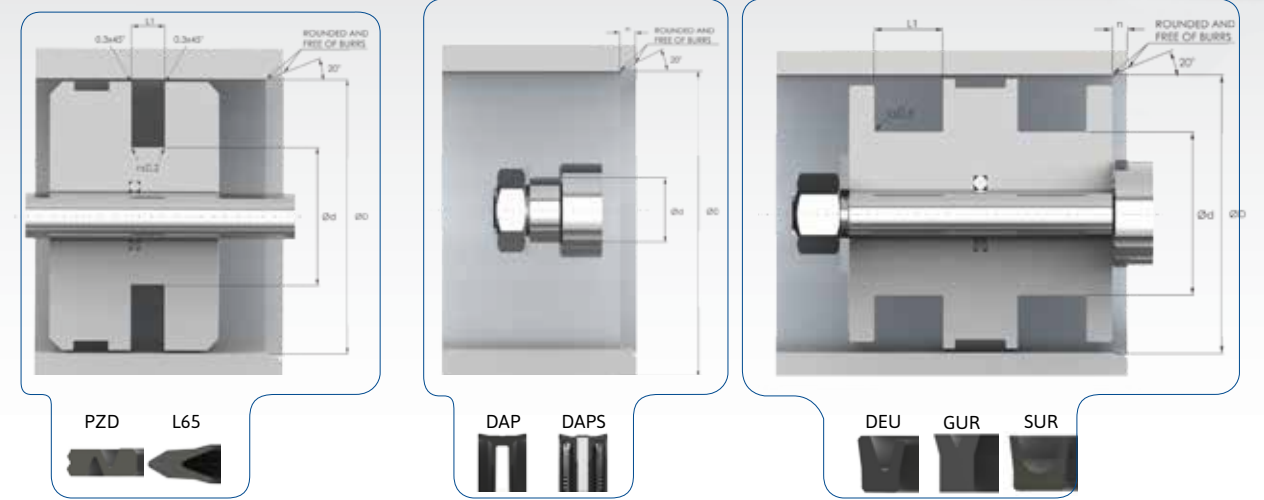
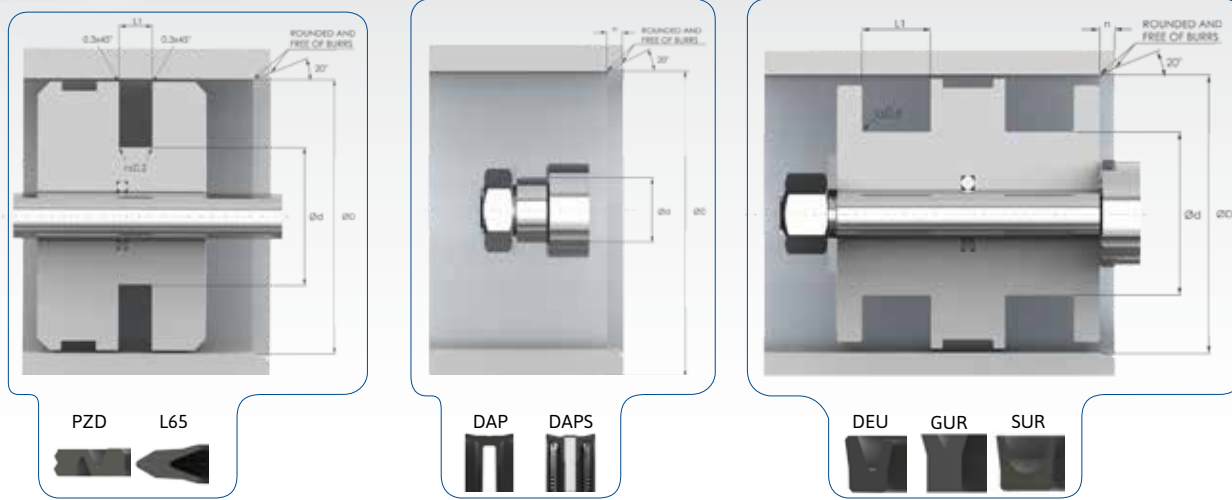
PART NO	PROFILE	HOUSING DIMENSIONS				REFERENCE
		ØD	Ød	SH	L1	
GURM014024-050	GUR	24.00	14.00	5.00-	5.50	RF4430
GURM016024-040	GUR	24.00	16.00	4.00	4.50	RF4441
DEUM024018-032	DEU	24.00	18.00	3.25	3.50	
GURM008025-060	GUR	25.00	8.00	6.00	7.50	RF4414
DAPM025008-120	DAP	25.00	8.00	12.00	4.00	
GURM010025-100	GUR	25.00	10.00	10.00	11.50	RF4421
GURM015025-050	GUR	25.00	15.00	5.00	5.50	RF4433
GURM015025-080	GUR	25.00	15.00	8.00	9.50	RF4434
DEUM025017-055	DEU	25.00	17.00	5.50	7.00	RF4803
PZDM025017-032	PZD	25.00	17.00		3.20	
PZDM025018-023	PZD	25.00	18.00		2.30	
DEUM025019-032	DEU	25.00	19.00	3.25	3.50	
GURM016026-050	GUR	26.00	16.00	5.00	5.50	RF4442
GURM018026-040	GUR	26.00	18.00	4.00	4.50	
GURM015027-060	GUR	27.00	15.00	6.00	6.50	RF4435
GURM012028-100	GUR	28.00	12.00	10.00	11.50	RF4426
GURM014028-100	GUR	28.00	14.00	10.00	11.50	RF4431
GURM015028-100	GUR	28.00	15.00	10.00	11.50	RF4436
GURM016028-060	GUR	28.00	16.00	6.00	6.60	RF4443
GURM018028-050	GUR	28.00	18.00	5.00	5.50	RF4447
GURM018028-060	GUR	28.00	18.00	6.00	7.50	RF4448
DEUM028018-070	DEU	28.00	18.00	7.00	7.50	R45713
PZDM028019-030	PZD	28.00	19.00		3.00	
GURM020028-040	GUR	28.00	20.00	4.00	4.40	R55474
GURM020028-050	GUR	28.00	20.00	5.00	5.70	R86811
GURM010030-100	GUR	30.00	10.00	10.00	11.50	RF4423
GURM013030-100	GUR	30.00	13.00	10.00	11.50	RF4428
GURM015030-080	GUR	30.00	15.00	8.00	9.50	RF4437
GURM015030-100	GUR	30.00	15.00	10.00	11.50	RF4438
GURM018030-060	GUR	30.00	18.00	6.00	6.60	RF4449
GURM018030-100	GUR	30.00	18.00	10.00	11.50	RF4450
GURM020030-050	GUR	30.00	20.00	5.00	5.50	RF4455
L65M030020-023	L65	30.00	20.00		2.30	
PZDM030021-030	PZD	30.00	21.00		3.00	
GURM022030-040	GUR	30.00	22.00	4.00	4.50	RF4462
GURM022030-050H	GUR	30.00	22.00	5.00	6.00	RF4305
PZDM030022-032	PZD	30.00	22.00		3.10	RAA001
GURM024030-040	GUR	30.00	24.00	4.00	4.70	R16635
GURM023031-050H	GUR	31.50	23.50	5.00	6.00	RF4470
DAPM032008-110C	DAP	32.00	8.00	11.00	3.00	
DAPM032008-150	DAP	32.00	8.00	15.00	4.00	
GURM014032-100	GUR	32.00	14.00	10.00	11.50	RF4432
GURM016032-100	GUR	32.00	16.00	10.00	11.00	RF4444
GURM020032-060	GUR	32.00	20.00	6.00	6.60	R52539

PART NO	PROFILE	HOUSING DIMENSIONS				REFERENCE
		ØD	Ød	SH	L1	
GURM022032-050	GUR	32.00	22.00	5.00	5.50	R85479
GURM022032-060	GUR	32.00	22.00	6.00	7.00	RF4463
PZDM032023-030	PZD	32.00	23.00		3.00	
DEUM032024-032	DEU	32.00	24.00	3.25	3.50	
DEUM032024-055	DEU	32.00	24.00	5.50	7.00	RF4804
PZDM032024-032	PZD	32.00	24.00		3.20	
GURM022032-080H	GUR	32.40	22.40	8.00	9.00	RF4468
GURM020033-100	GUR	33.00	20.00	10.00	11.50	RF4457
GURM021033-060	GUR	33.00	21.00	6.00	6.60	RF4461
GURM025033-040	GUR	33.00	25.00	4.00	4.50	R88011
GURM025033-050S	GUR	33.00	25.00	5.00	5.70	R85005
GURM025033-050	GUR	33.00	25.00	5.00	5.70	
GURM018034-080	GUR	34.00	18.00	8.00	9.50	RF4451
GURM022034-060	GUR	34.00	22.00	6.00	6.60	RF4464
GURM022034-100	GUR	34.00	22.00	10.00	11.50	RF4465
GURM024034-050	GUR	34.00	24.00	5.00	5.50	RF4471
GURM026034-040	GUR	34.00	26.00	4.00	4.50	RF4478
DAPM035008-150	DAP	35.00	8.00	15.00	4.00	
GURM012035-120	GUR	35.00	12.00	12.00	13.50	RF4427
GURM015035-100	GUR	35.00	15.00	10.00	11.50	RF4439
GURM020035-075	GUR	35.00	20.00	7.50	8.30	RF4458
GURM020035-100	GUR	35.00	20.00	10.00	11.50	R89704
L65M035022-030	L65	35.00	22.50		3.00	
GURM023035-060	GUR	35.00	23.00	6.00	6.60	RF4469
GURM024035-060	GUR	35.00	24.00	6.00	6.60	RF4472
GURM025035-040	GUR	35.00	25.00	4.00	4.50	R15723
GURM025035-050	GUR	35.00	25.00	5.00	5.50	RF4473
PZDM035026-030	PZD	35.00	26.00		3.00	
DEUM035027-032	DEU	35.00	27.00	3.25	3.50	
GURM027035-040	GUR	35.00	27.00	4.00	4.50	RF4482
GURM016036-100	GUR	36.00	16.00	10.00	11.00	RF4445
GURM020036-080	GUR	36.00	20.00	8.00	9.50	R51751
GURM024036-060	GUR	36.00	24.00	6.00	6.60	R45667
GURM026036-050	GUR	36.00	26.00	5.00	5.50	RF4479
GURM028036-050	GUR	36.00	28.00	5.00	6.00	RF4483
GURM025037-060	GUR	37.00	25.00	6.00	6.60	RF4474
GURM029037-040	GUR	37.00	29.00	4.00	4.50	RF4488
GURM016038-080	GUR	38.00	16.00	8.00	9.00	R88595
GURM017038-100	GUR	38.00	17.00	10.00	11.50	RF4446
GURM026038-060	GUR	38.00	26.00	6.00	6.60	RF4480
GURM028038-050	GUR	38.00	28.00	5.00	5.50	RF4484
DEUM038030-032	DEU	38.00	30.00	3.25	3.50	
GURM030038-040	GUR	38.00	30.00	4.00	4.50	RF4489
GURM022039-100	GUR	39.00	22.00	10.00	11.50	RF4466



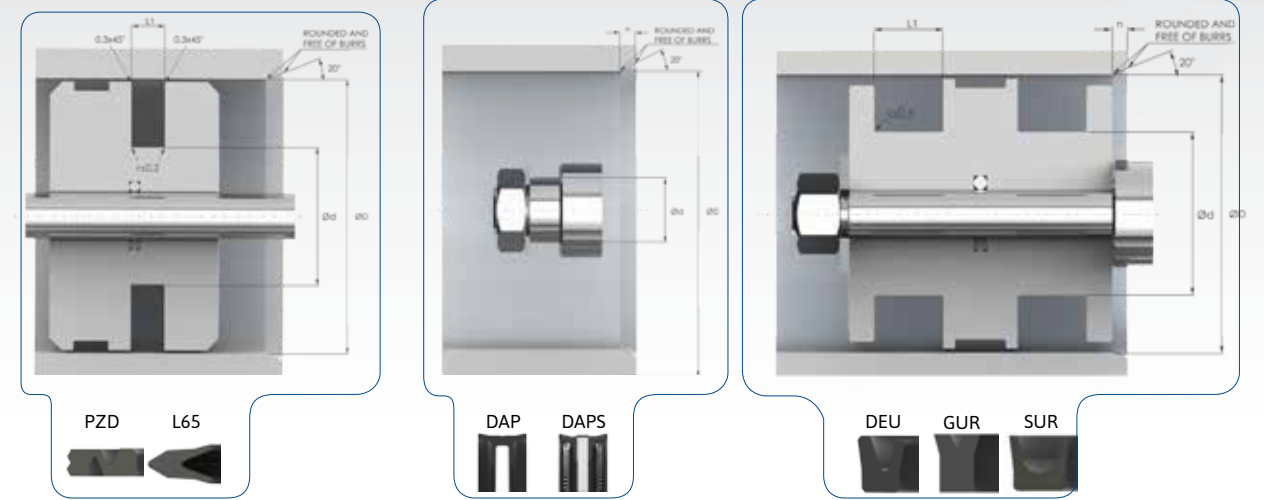
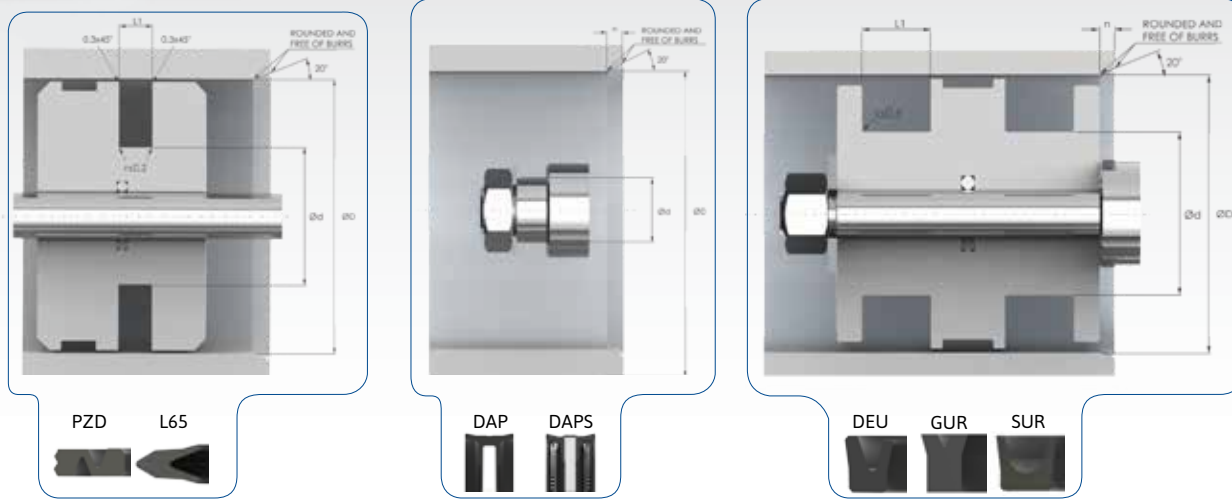
PART NO	PROFILE	HOUSING DIMENSIONS				REFERENCE
		ØD	Ød	SH	L1	
DAPM040010-180	DAP	40.00	10.00	18.00	4.60	R46660
GURM018040-100	GUR	40.00	18.00	10.00	11.50	RF4453
GURM020040-100	GUR	40.00	20.00	10.00	11.50	RF4459
GURM025040-060	GUR	40.00	25.00	6.00	6.60	R89856
GURM025040-075	GUR	40.00	25.00	7.50	8.30	
GURM025040-100	GUR	40.00	25.00	10.00	11.50	RF4475
L65M040027-030	L65	40.00	27.50		3.00	
GURM028040-060	GUR	40.00	28.00	6.00	6.60	R88143
GURM028040-100H	GUR	40.00	28.00	10.00	11.00	RF4485
GURM030040-050	GUR	40.00	30.00	5.00	5.50	R85518
GURM030040-060H	GUR	40.00	30.00	6.00	7.00	R55475
DEUM040030-070	DEU	40.00	30.00	7.00	8.50	R86177
PZDM040031-030	PZD	40.00	31.00		3.00	
DEUM040032-032	DEU	40.00	32.00	3.25	3.50	R89092
GURM032040-040	GUR	40.00	32.00	4.00	4.50	R55506
PZDM040032-032	PZD	40.00	32.00		3.20	
GURM028041-100	GUR	41.00	28.00	10.00	11.50	RF4486
GURM031041-060H	GUR	41.50	31.50	6.00	7.00	RF4494
GURM022042-100	GUR	42.00	22.00	10.00	11.00	RF4467
GURM025042-080	GUR	42.00	25.00	8.00	9.50	RF4476
GURM030042-100	GUR	42.00	30.00	10.00	11.50	RF4490
GURM032042-050	GUR	42.00	32.00	5.00	5.50	R52566
GURM020043-120	GUR	43.00	20.00	12.00	13.50	RF4460
GURM032044-060	GUR	44.00	32.00	6.00	6.60	R86427
GURM025045-100	GUR	45.00	25.00	10.00	11.50	R589361
DEUM045030-060	DEU	45.00	30.00	6.00	6.60	R45901
GURM030045-100	GUR	45.00	30.00	10.00	11.50	RF4491
GURM032045-100	GUR	45.00	32.00	10.00	11.50	RF4496
GURM033045-060	GUR	45.00	33.00	6.00	6.60	RF4499
GURM035045-050	GUR	45.00	35.00	5.00	5.50	R89045
GURM035045-060	GUR	45.00	35.00	6.00	6.60	R88839
PZDM045036-030	PZD	45.00	36.00		3.00	
DEUM045037-032	DEU	45.00	37.00	3.25	3.50	
GURM045055-050	GUR	45.00	55.00	5.00	5.50	RF4627
GURM026046-100	GUR	46.00	26.00	10.00	11.50	RF4481
GURM036046-050	GUR	46.00	36.00	5.00	5.50	R55152
GURM036046-060H	GUR	46.00	36.00	6.00	7.00	RF4503
GURM028048-100	GUR	48.00	28.00	10.00	11.00	RF4487
DEUM048034-120	DEU	48.00	34.00	11.00	12.00	RS5300
GURM038048-050	GUR	48.00	38.00	5.00	5.50	RF4504
SURM040048-080	SUR	48.00	40.00	8.00	9.50	
DAPM050010-180	DAP	50.00	10.00	18.00	4.60	R85878
GURM025050-120	GUR	50.00	25.00	12.00	13.50	RF4477
GURM030050-100	GUR	50.00	30.00	10.00	11.00	R07691

PART NO	PROFILE	HOUSING DIMENSIONS				REFERENCE
		ØD	Ød	SH	L1	
GURM032050-120	GUR	50.00	32.00	12.00	13.50	RF4497
GURM035050-100	GUR	50.00	35.00	10.00	11.00	RF118A
L65M050037-030	L65	50.00	37.50		3.00	
GURM038050-060	GUR	50.00	38.00	6.00	6.60	RF4505
GURM040050-050	GUR	50.00	40.00	5.00	5.50	R55515
GURM040050-060S	GUR	50.00	40.00	6.00	7.00	R89047
GURM040050-060	GUR	50.00	40.00	6.00	7.00	
DEUM050040-065S	DEU	50.00	40.00	6.50	7.00	
DEUM050040-070	DEU	50.00	40.00	7.00	8.50	RF4806
PZDM050040-040	PZD	50.00	40.00		4.00	
PZDM050041-030	PZD	50.00	41.00		3.00	
DEUM050042-032	DEU	50.00	42.00	3.25	3.50	R56043
GURM032052-100	GUR	52.00	32.00	10.00	11.50	RF4498
GURM040052-060	GUR	52.00	40.00	6.00	6.60	RF4507
GURM042052-050	GUR	52.00	42.00	5.00	5.50	RF4512
GURM035055-100	GUR	55.00	35.00	10.00	11.50	RF4501
GURM040055-075	GUR	55.00	40.00	7.50	8.30	RF4508
GURM040055-100	GUR	55.00	40.00	10.00	11.00	
GURM043055-060	GUR	55.00	43.00	6.00	6.60	RF4513
GURM045055-060	GUR	55.00	45.00	6.00	7.00	RF4514
GURM040056-100H	GUR	56.00	40.00	10.00	11.00	RF4510
GURM040056-100	GUR	56.00	40.00	10.00	11.50	RF4509
GURM046056-050	GUR	56.00	46.00	5.00	5.50	RF4518
GURM038058-100	GUR	58.00	38.00	10.00	11.50	RF4506
GURM046058-060	GUR	58.00	46.00	6.00	6.60	RF4519
DAPM060012-220	DAP	60.00	12.00	22.00	6.00	
GURM030060-150	GUR	60.00	30.00	15.00	16.50	RF4493
GURM035060-120	GUR	60.00	35.00	12.00	13.00	RF4502
GURM040060-100	GUR	60.00	40.00	10.00	11.50	R59969
L65M060044-035	L65	60.00	44.00		3.50	
PZDM060044-040	PZD	60.00	44.00		4.00	
GURM045060-075	GUR	60.00	45.00	7.50	8.30	RF4516
GURM048060-060	GUR	60.00	48.00	6.00	6.60	RF4520
GURM050060-050	GUR	60.00	50.00	5.00	5.50	
GURM050060-060	GUR	60.00	50.00	6.00	7.00	RF4521
DEUM060050-070	DEU	60.00	50.00	7.00	8.50	RF4808
GURM045061-120	GUR	61.00	45.00	12.00	13.50	
GURM050062-060	GUR	62.00	50.00	6.00	6.60	RF4523
DAPM063012-140C	DAP	63.00	12.00	14.00	5.60	
DAPM063012-220	DAP	63.00	12.00	22.00	5.60	
L65M063047-035	L65	63.00	47.00		3.50	
GURM051063-060	GUR	63.00	51.00	6.00	6.60	RF4526
PZDM063051-040	PZD	63.00	51.00		4.00	R45668
GURM053063-050	GUR	63.00	53.00	5.00	5.50	RF4527



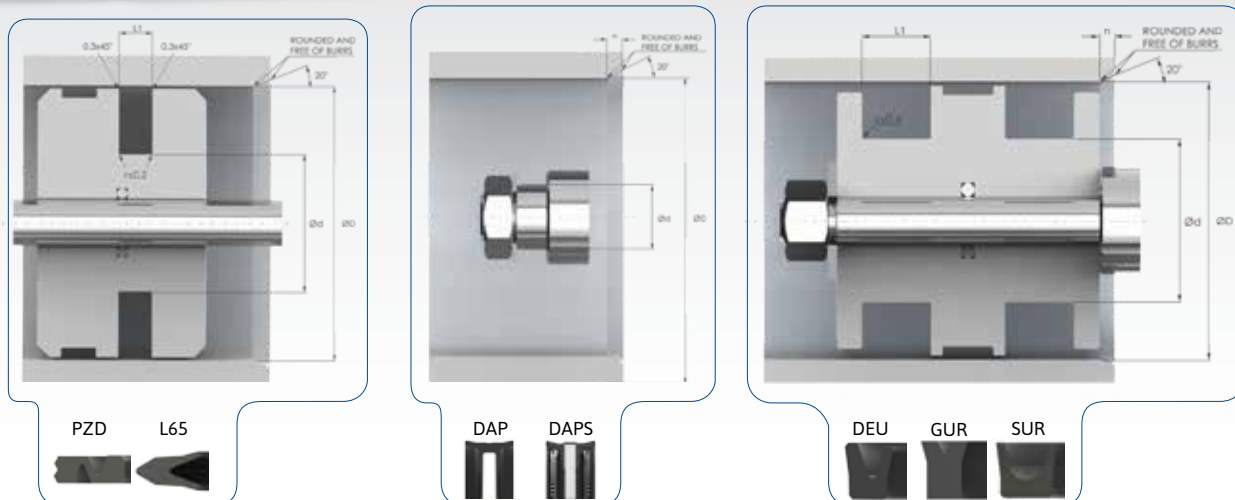
PART NO	PROFILE	HOUSING DIMENSIONS				REFERENCE
		ØD	Ød	SH	L1	
GURM053063-065	GUR	63.00	53.00	6.50	7.50	RF166A
DEUM063053-070	DEU	63.00	53.00	7.00	8.50	RF4809
PZDM063053-040	PZD	63.00	53.00		4.00	R46008
GURM040065-120	GUR	65.00	40.00	12.00	13.50	RF4511
GURM045065-100	GUR	65.00	45.00	10.00	11.50	RF4517
GURM050065-075	GUR	65.00	50.00	7.50	8.30	RF4524
GURM053065-060	GUR	65.00	53.00	6.00	6.60	RF4529
GURM055065-050	GUR	65.00	55.00	5.00	5.50	R55507
GURM055065-060H	GUR	65.00	55.00	6.00	7.00	RF4530
DEUM065055-070	DEU	65.00	55.00	7.00	8.50	RF4810
GURM048068-100	GUR	68.00	48.00	10.00	11.50	R54913
DAPM070012-220	DAP	70.00	12.00	22.00	6.00	
GURM050070-100	GUR	70.00	50.00	10.00	11.50	RF4525
L65M070055-035	L65	70.00	55.50		3.50	
DEUM070058-085	DEU	70.00	58.00	8.50	10.00	RF4811
PZDM070058-040	PZD	70.00	58.00		4.00	
GURM060070-050	GUR	70.00	60.00	5.00	5.50	RF4533
GURM060070-060	GUR	70.00	60.00	6.00	7.00	R50604
GURM060070-060H	GUR	70.00	60.00	6.00	7.00	
SURM060070-060	SUR	70.00	60.00	6.00	7.00	
GURM060071-070	GUR	71.00	60.00	7.00	8.00	RF4534
GURM063073-050	GUR	73.00	63.00	5.00	5.50	RF4538
DAPM075012-220	DAP	75.00	12.00	22.00	6.00	R46090
GURM055075-100	GUR	75.00	55.00	10.00	11.50	RF4531
GURM060075-075	GUR	75.00	60.00	7.50	8.30	RF4535
DEUM075063-085	DEU	75.00	63.00	8.50	10.00	RF4812
GURM065075-050	GUR	75.00	65.00	5.00	5.50	R45442
GURM065075-060	GUR	75.00	65.00	6.00	7.00	RF4539
GURM065075-060H	GUR	75.00	65.00	6.00	7.00	RF4540
GURM060076-120H	GUR	76.00	60.00	12.00	13.00	RF4536
GURM067077-060H	GUR	77.00	67.00	6.00	7.00	RF4545
DAPM080012-250	DAP	80.00	12.00	25.00	5.00	
DAPM080012-300S	DAPS	80.00	12.00	30.00	5.00	
GURM055080-120	GUR	80.00	55.00	12.00	13.50	R86454
GURM060080-100	GUR	80.00	60.00	10.00	11.50	R50644
L65M080061-041	L65	80.00	61.00		4.10	
GURM065080-075	GUR	80.00	65.00	7.50	8.30	RF4541
PZDM080065-060	PZD	80.00	65.00		6.00	
DEUM080068-085	DEU	80.00	68.00	8.50	10.00	RF4813
SURM068080-120	SUR	80.00	68.00	12.00	13.00	
PZDM080068-040	PZD	80.00	68.00		4.00	R46452
DEUM080070-042	DEU	80.00	70.00	4.25	4.50	
GURM070080-050	GUR	80.00	70.00	5.00	5.50	RF4546
GURM070080-060	GUR	80.00	70.00	6.00	6.60	R86429

PART NO	PROFILE	HOUSING DIMENSIONS				REFERENCE
		ØD	Ød	SH	L1	
GURM070080-060H	GUR	80.00	70.00	6.00	7.00	RF4547
DEUM080070-070	DEU	80.00	70.00	7.00	8.50	RDEM80
GURM071080-060	GUR	80.00	71.00	6.00	7.00	
GURM055085-150	GUR	85.00	55.00	15.00	16.50	RF4532
GURM065085-100	GUR	85.00	65.00	10.00	11.50	RF4542
GURM070085-075	GUR	85.00	70.00	7.50	8.30	RF4628
DEUM085073-085	DEU	85.00	73.00	8.50	10.00	RF4814
GURM075085-060H	GUR	85.00	75.00	6.00	7.00	RF4550
GURM060090-150	GUR	90.00	60.00	15.00	16.50	RF4537
GURM065090-120	GUR	90.00	65.00	12.00	3.50	RF4543
GURM070090-075	GUR	90.00	70.00	7.50	8.30	R55073
GURM070090-100	GUR	90.00	70.00	10.00	11.50	RF4548
GURM070090-150H	GUR	90.00	70.00	15.00	16.00	RF4549
L65M090071-041	L65	90.00	71.00		4.10	
GURM075090-075	GUR	90.00	75.00	7.50	8.30	RF4551
DEUM090078-085	DEU	90.00	78.00	8.50	10.00	RF4815
GURM080090-060H	GUR	90.00	80.00	6.00	7.00	
GURM080090-060	GUR	90.00	80.00	6.00	7.00	
GURM065095-150	GUR	95.00	65.00	15.00	6.50	RF4544
GURM075095-100	GUR	95.00	75.00	10.00	11.50	RF4552
GURM080095-075	GUR	95.00	80.00	7.50	8.30	RF4555
GURM085095-050	GUR	95.00	85.00	5.00	5.50	R52826
DAPM100012-250	DAP	100.00	12.00	25.00	6.50	
DAPM100016-250	DAP	100.00	16.00	25.00	6.50	
GURM075100-150	GUR	100.00	75.00	15.00	16.50	RF4553
L65M100079-046	L65	100.00	79.00		4.60	
GURM080100-100	GUR	100.00	80.00	10.00	11.50	R55444
GURM085100-075	GUR	100.00	85.00	7.50	8.30	RF4558
PZDM100085-060	PZD	100.00	85.00		6.00	
DEUM100088-085	DEU	100.00	88.00	8.50	10.00	RF4816
PZDM100088-040	PZD	100.00	88.00		4.00	R45730
DEUM100090-042	DEU	100.00	90.00	4.25	4.50	
GURM090100-050	GUR	100.00	90.00	5.00	5.50	R88790
GURM075105-150	GUR	105.00	75.00	15.00	16.50	RF4554
GURM080105-120	GUR	105.00	80.00	12.00	13.50	RF4556
GURM085105-100	GUR	105.00	85.00	10.00	11.50	R51657
GURM090105-075	GUR	105.00	90.00	7.50	8.30	RF4561
GURM090105-090H	GUR	105.00	90.00	9.00	10.00	RF4562
DEUM105093-085	DEU	105.00	93.00	8.50	10.00	RF4817
GURM080110-150	GUR	110.00	80.00	15.00	16.50	RF4557
GURM085110-120	GUR	110.00	85.00	12.00	13.50	RF4559
GURM090110-100	GUR	110.00	90.00	10.00	11.50	R52468
GURM095110-075	GUR	110.00	95.00	7.50	8.30	RF4564
DEUM110098-085	DEU	110.00	98.00	8.50	10.00	RF4818

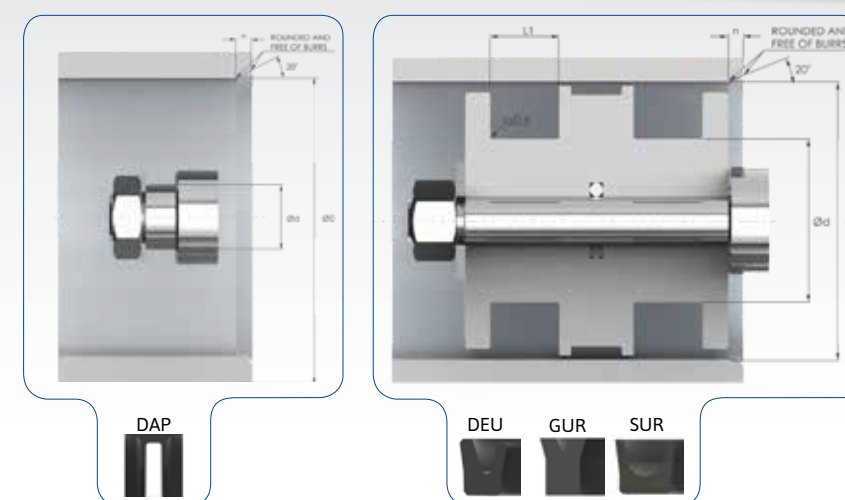


PART NO	PROFILE	HOUSING DIMENSIONS				REFERENCE
		ØD	Ød	SH	L1	
GURM100110-050	GUR	110.00	100.00	5.00	5.50	RF4567
GURM085115-150	GUR	115.00	85.00	15.00	16.50	RF4560
GURM095115-100	GUR	115.00	95.00	10.00	11.50	RF4565
GURM100115-090H	GUR	115.00	100.00	9.00	10.00	RF4568
GURM090120-150	GUR	120.00	90.00	15.00	16.50	RF4563
GURM100120-100	GUR	120.00	100.00	10.00	11.50	R58704
GURM105120-075	GUR	120.00	105.00	7.50	8.30	RF4569
DEUM120105-100	DEU	120.00	105.00	10.00	11.00	RF4819
GURM106120-085H	GUR	120.00	106.00	8.50	9.35	RF4571
DAPM125020-260	DAP	125.00	20.00	26.00	10.00	
GURM095125-150	GUR	125.00	95.00	15.00	16.50	RF4566
GURM100125-120	GUR	125.00	100.00	12.00	13.00	R45249
L65M125101-051	L65	125.00	101.00		5.10	
DEUM125105-082	DEU	125.00	105.00	8.25	9.50	
GURM105125-125	GUR	125.00	105.00	12.50	14.00	RF4570
GURM110125-075	GUR	125.00	110.00	7.50	8.30	RF4573
DEUM125110-100	DEU	125.00	110.00	10.00	11.00	RF4820
PZDM125110-050	PZD	125.00	110.00		5.00	
PZDM125110-056	PZD	125.00	110.00		5.60	
GURM112125-090H	GUR	125.00	112.00	9.00	10.00	RF4577
DEUM140125-095S	DEU	125.00	140.00	9.50	10.00	RF4583
GURM106126-150H	GUR	126.00	106.00	15.00	16.00	RF4572
GURM100130-150	GUR	130.00	100.00	15.00	17.00	R07814
GURM110130-100	GUR	130.00	110.00	10.00	11.50	RF4574
GURM115130-075	GUR	130.00	115.00	7.50	8.30	RF4578
GURM110135-120	GUR	135.00	110.00	12.00	13.50	RF4575
DAPM140020-300	DAP	140.00	20.00	30.00	12.00	
GURM110140-150	GUR	140.00	110.00	15.00	16.50	RF4576
L65M140113-056	L65	140.00	113.50		5.60	
GURM120140-100	GUR	140.00	120.00	10.00	11.50	RF4580
GURM125140-075	GUR	140.00	125.00	7.50	8.30m	RF4582
GURM125140-090	GUR	140.00	125.00	9.00	10.00	RF4583
DEUM140125-100	DEU	140.00	125.00	10.00	11.00	RF4821
GURM115145-120	GUR	145.00	115.00	12.00	13.50	RF4579
DEUM145130-100	DEU	145.00	130.00	10.00	11.00	RF4822
DAPM150020-300	DAP	150.00	20.00	30.00	12.00	
GURM120150-150	GUR	150.00	120.00	15.00	16.50	RF4581
GURM125150-180	GUR	150.00	125.00	18.00	19.50	RF4584
DEUM150135-100	DEU	150.00	135.00	10.00	11.00	RF4823
GURM136150-090H	GUR	150.00	136.00	8.50	9.50	RF4310
GURM125155-150	GUR	155.00	125.00	15.00	16.50	RF4585
GURM140155-090H	GUR	155.00	140.00	9.00	10.00	
DAPM160020-300	DAP	160.00	20.00	30.00	12.00	
DAPM160024-300	DAP	160.00	24.00	30.00	10.00	RAA179

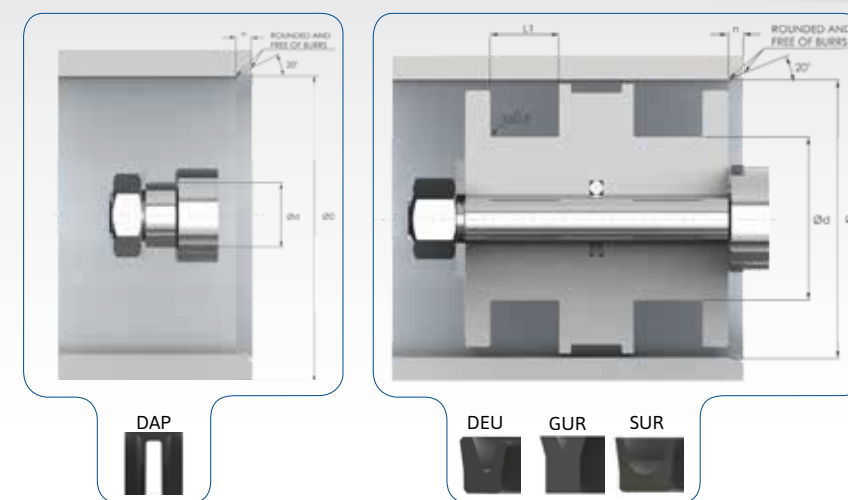
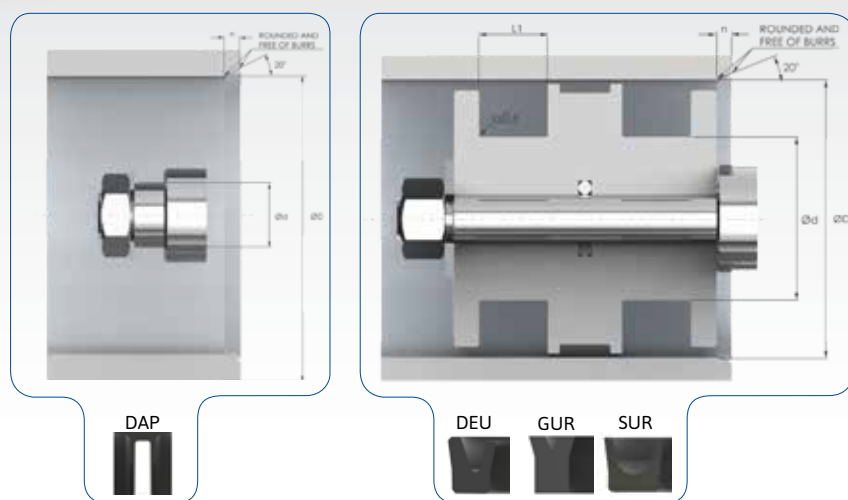
PART NO	PROFILE	HOUSING DIMENSIONS				REFERENCE
		ØD	Ød	SH	L1	
GURM130160-150	GUR	160.00	130.00	15.00	16.50	RF4586
L65M160131-062	L65	160.00	131.50		6.20	
GURM135160-180	GUR	160.00	135.00	18.00	19.50	RF4587
GURM145160-100	GUR	160.00	140.00	10.00	11.50	R88198
GURM145160-090	GUR	160.00	145.00	9.00	10.00	RF4590
DEUM160145-100	DEU	160.00	145.00	10.00	11.00	RF4824
GURM140165-180	GUR	165.00	140.00	18.00	19.50	RF4588
GURM140170-150	GUR	170.00	140.00	15.00	16.50	RF4589
GURM150170-150H	GUR	170.00	150.00	15.00	16.00	RF4592
GURM145175-150	GUR	175.00	145.00	15.00	16.50	RF4591
GURM160175-090	GUR	175.00	160.00	9.00	10.00	RF4594
GURM160175-090H	GUR	175.00	160.00	9.00	10.00	RF4595
GURM150180-150	GUR	180.00	150.00	15.00	16.50	RF4593
SURM150180-155	SUR	180.00	150.00	15.50	17.00	R89852
SURM150180-155V	SUR	180.00	150.00	15.50	17.00	R89995
DEUM180160-140	DEU	180.00	160.00	14.00	17.00	RF4825
PZDM180160-080	PZD	180.00	160.00		8.00	
GURM165180-090H	GUR	180.00	165.00	9.00	10.00	RF4598
GURM160190-150	GUR	190.00	160.00	15.00	16.50	RF4596
GURM160200-200	GUR	200.00	160.00	20.00	21.50	RF4597
L65M200163-088	L65	200.00	163.00		8.80	
GURM170200-150	GUR	200.00	170.00	15.00	16.50	RF4599
GURM175200-160	GUR	200.00	175.00	15.70	17.50	RF4601
DEUM200180-140	DEU	200.00	180.00	14.00	17.00	RF4826
SURM175205-190	SUR	205.00	175.00	19.00	21.00	R07886
GURM170210-200	GUR	210.00	170.00	20.00	21.50	RF4600
GURM180210-220	GUR	210.00	180.00	22.00	23.50	RF4602
GURM180220-200	GUR	220.00	180.00	20.00	21.50	RF4603
GURM190220-150	GUR	220.00	190.00	15.00	16.50	RF4605
DEUM220200-140	DEU	220.00	200.00	14.00	17.00	RF4827
GURM204224-120H	GUR	224.00	204.00	12.00	13.00	RF4609
GURM195225-150	GUR	225.00	195.00	15.00	16.50	RF4606
GURM200230-150	GUR	230.00	200.00	15.00	16.50	RF4607
GURM200230-220	GUR	230.00	200.00	22.00	23.00	
GURM210230-120H	GUR	230.00	210.00	12.00	13.00	RF4610
GURM200240-200	GUR	240.00	200.00	20.00	21.50	RF4608
GURM210250-200	GUR	250.00	210.00	20.00	21.50	RF4611
DEUM250230-140	DEU	250.00	230.00	14.00	17.00	RF4828
GURM220260-200	GUR	260.00	220.00	20.00	21.50	RF4612
GURM230270-200	GUR	270.00	230.00	20.00	21.50	RF4613
GURM240280-200	GUR	280.00	240.00	20.00	21.50	RF4614
GURM250290-200	GUR	290.00	250.00	20.00	21.50	RF4615
GURM260300-200	GUR	300.00	260.00	20.00	21.50	RF4616
GURM270300-220	GUR	300.00	270.00	22.00	23.50	RF4617



PART NO	PROFILE	HOUSING DIMENSIONS				REFERENCE
		ØD	Ød	SH	L1	
PZDM300280-080	PZD	300.00	280.00		8.00	
GURM280320-200	GUR	320.00	280.00	20.00	21.50	RF4618
GURM300340-200	GUR	340.00	300.00	20.00	21.50	RF4619
GURM310350-200	GUR	350.00	310.00	20.00	21.50	RF4620
GURM320350-220	GUR	350.00	320.00	22.00	23.50	RF4621
GURM320360-200	GUR	360.00	320.00	20.00	21.50	RF4622
GURM340380-200	GUR	380.00	340.00	20.00	21.50	RF4623
GURM350400-250	GUR	400.00	350.00	25.00	26.50	RF4624
GURM400450-250	GUR	450.00	400.00	25.00	26.50	RF4625
GURM450500-250	GUR	500.00	450.00	25.00	26.50	RF4626

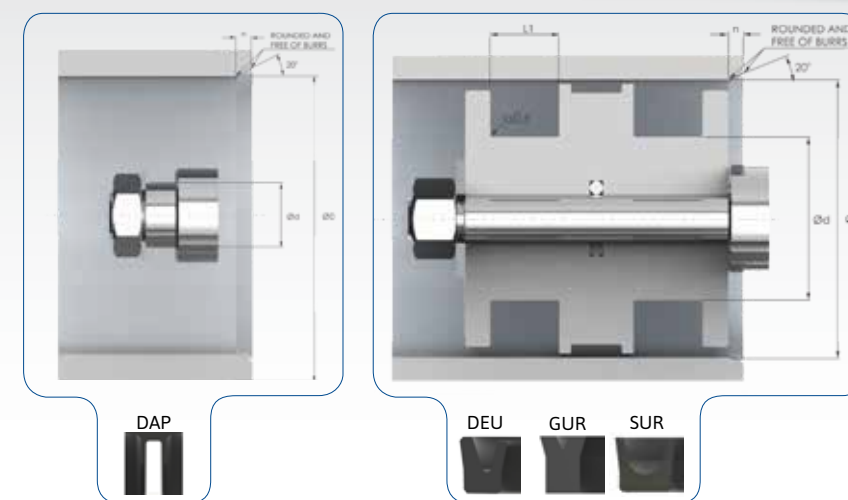
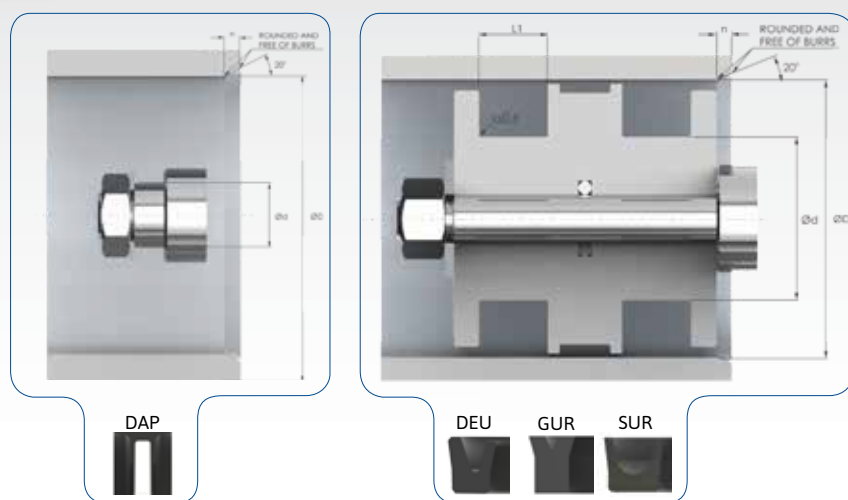


PART NO	PROFILE	HOUSING DIMENSIONS				REFERENCE	ALTERNATIVE REFERENCE NO
		ØD	Ød	SH	L1		
SURI012031-094	SUR	0.312	0.125	0.094	0.125	R16677	
GURI012031-094	GUR	0.312	0.125	0.094	0.156	RF5000	
SURI012037-125	SUR	0.375	0.125	0.125	0.138	R30589	
DEUI037012-156	DEU	0.375	0.125	0.156	0.219	RF5162	
GURI018037-094	GUR	0.375	0.187	0.094	0.156	RF5001	
SURI018043-125	SUR	0.437	0.187	0.125	0.138	R30590	
DEUI043018-156	DEU	0.437	0.187	0.156	0.219	RF5163	
GURI025043-094	GUR	0.437	0.250	0.094	0.156	RF5002	
GURI025043-125	GUR	0.437	0.250	0.125	0.177	R15444	
SURI012050-187	SUR	0.500	0.125	0.187	0.212	R00274	SU01
SURI025050-125	SUR	0.500	0.250	0.125	0.138	R08589	
DEUI050025-187	DEU	0.500	0.250	0.187	0.250	RF5164	
SURI031050-094	SUR	0.500	0.312	0.094	0.125	RF5003	
GURI031050-187	GUR	0.500	0.312	0.187	0.250	RF5004	
SURI018056-187	SUR	0.562	0.187	0.187	0.212	R00275	SU02
GURI031056-125	GUR	0.562	0.312	0.125	0.138		
SURI031056-125	SUR	0.562	0.312	0.125	0.138	R51011	SU44
DEUI056031-187	DEU	0.562	0.312	0.187	0.250	RF5165	
SURI025062-187	SUR	0.625	0.250	0.187	0.212	R00276	SU03
DEUI062031-219	DEU	0.625	0.312	0.219	0.281	RF5166	
GURI037062-125	GUR	0.625	0.375	0.125	0.138	R07632	
SURI031068-187	SUR	0.687	0.312	0.187	0.212	R00277	SU04
GURI043068-125	GUR	0.687	0.437	0.125	0.138		
SURI043068-125	SUR	0.687	0.437	0.125	0.138	R86750	
DEUI068043-125	DEU	0.687	0.437	0.125	0.156	R88386	
DEUI068050-125	DEU	0.687	0.500	0.093	0.125	R54583	
SURI025075-250	SUR	0.750	0.250	0.250	0.275	R00281	SU08
SURI037075-187	SUR	0.750	0.375	0.187	0.212	R00278	SU05
DEUI075037-250	DEU	0.750	0.375	0.250	0.281	RF5167	
GURI043075-187	GUR	0.750	0.437	0.187	0.250	RF5005	
SURI050075-125	SUR	0.750	0.500	0.125	0.138	R07643	SU07
DEUI075050-125	DEU	0.750	0.500	0.125	0.187	R51633	
SURI031081-250	SUR	0.812	0.312	0.250	0.275	R00282	SU09
SURI043081-187	SUR	0.812	0.437	0.187	0.212	R00279	SU06
DEUI081043-250	DEU	0.812	0.438	0.250	0.312		
DEUI081050-156	DEU	0.812	0.500	0.156	0.187		
GURI050081-219	GUR	0.812	0.500	0.219	0.281	RF5006	
DEUI081056-250	DEU	0.812	0.562	0.260	0.312	R86700	
SURI037087-250	SUR	0.875	0.375	0.250	0.275	R00283	SU10
GURI050087-187	GUR	0.875	0.500	0.187	0.212		
SURI050087-187	SUR	0.875	0.500	0.187	0.212	R00280	
DEUI087050-250	DEU	0.875	0.500	0.250	0.313	RF5169	
SURI062087-125	SUR	0.875	0.625	0.125	0.156	RF5008	
SURI043093-250	SUR	0.937	0.437	0.250	0.275	R00284	SU11
GURI056093-187	GUR	0.937	0.562	0.187	0.250	RF5007	



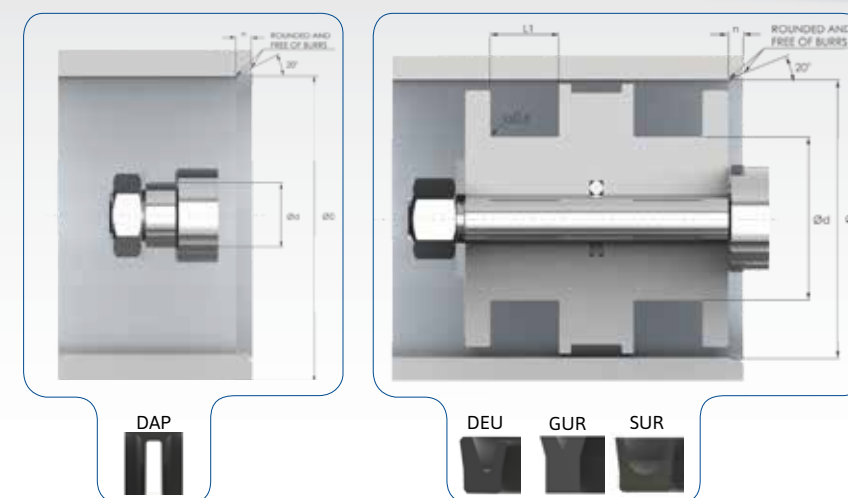
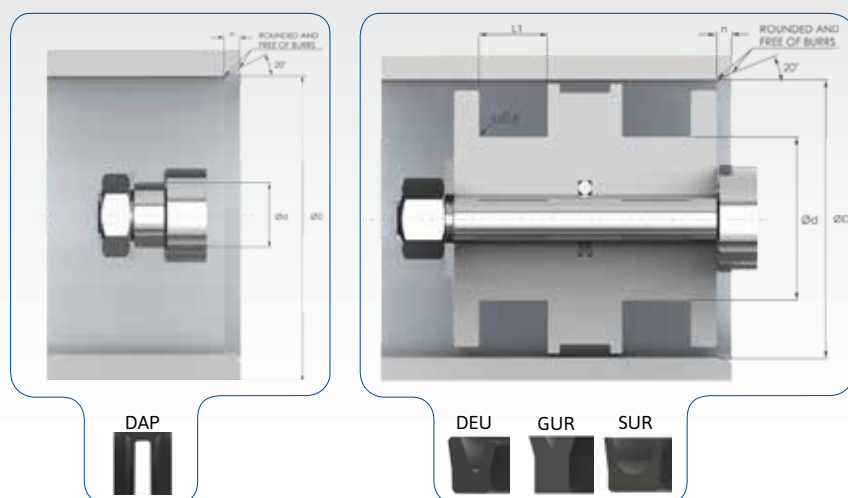
PART N°	PROFILE	HOUSING DIMENSIONS				REFERENCE	ALTERNATIVE REFERENCE N°
		ØD	Ød	SH	L1		
DEUI093056-250	DEU	0.937	0.562	0.250	0.312	RF5170	
SURI068093-125	SUR	0.937	0.687	0.125	0.156	RF5160	
DAPI00025-038	DAP	1.000	0.250	0.375	0.094		
SURI050100-250	SUR	1.000	0.500	0.250	0.275	R00285	SU12
SURI062100-187	SUR	1.000	0.625	0.187	0.212	R53368	
DEUI00062-250	DEU	1.000	0.625	0.250	0.312	RF5172	
GURI062100-250	GUR	1.000	0.625	0.250	0.312	R11224	
SURI068100-156	SUR	1.000	0.688	0.156	0.187	R07651	
GURI075100-125	GUR	1.000	0.750	0.125	0.138	R15505	
SURI075100-125	SUR	1.000	0.750	0.125	0.156	RF5011	
SURI056106-250	SUR	1.062	0.562	0.250	0.275	R00286	SU13
GURI068106-250	GUR	1.062	0.687	0.250	0.281	R89622	
DEUI06068-250	DEU	1.062	0.687	0.250	0.312	RF5174	
GURI068106-281	GUR	1.062	0.687	0.281	0.334	RF5009	
SURI081106-125	SUR	1.062	0.812	0.125	0.156	RF5015	
GURI081112-156	GUR	1.120	0.818	0.156	0.187	R07655	
SURI062112-250	SUR	1.125	0.625	0.250	0.275	R00287	SU14
DEUI112062-312	DEU	1.125	0.625	0.312	0.375	RF5176	
GURI068112-219	GUR	1.125	0.687	0.219	0.281	RF5010	
SURI075112-187	SUR	1.125	0.750	0.187	0.212	R00301	
DEUI112075-250	DEU	1.125	0.750	0.250	0.313	RF5177	
SURI087112-125	SUR	1.125	0.875	0.125	0.156	RF5017	
SURI068118-250	SUR	1.187	0.687	0.250	0.275	R00288	SU15
DEUI118068-312	DEU	1.187	0.687	0.312	0.375	RF5178	
SURI075118-250	SUR	1.187	0.750	0.250	0.315	RF5012	
DEUI118081-250	DEU	1.187	0.812	0.250	0.313	RF5179	
SURI093118-125	SUR	1.187	0.937	0.125	0.156	RF5019	
DAPI125025-500	DAP	1.250	0.250	0.500	0.094		
GURI075125-250	GUR	1.250	0.750	0.250	0.275		
SURI075125-250	SUR	1.250	0.750	0.250	0.275	R00289	SU16
DEUI125075-250	DEU	1.250	0.750	0.250	0.313	RF5180	
DEUI125075-312	DEU	1.250	0.750	0.312	0.375	R54674	
SURI087125-187	SUR	1.250	0.875	0.187	0.212	R07666	
SURI093125-156	SUR	1.250	0.937	0.156	0.188	RF5020	
SURI100125-125	SUR	1.250	1.000	0.125	0.156	RF5023	
DEUI131056-375	DEU	1.312	0.562	0.375	0.438	RF5181	
GURI075131-312	GUR	1.312	0.750	0.312	0.375	RF5013	
SURI081131-250	SUR	1.312	0.812	0.250	0.275	R00290	SU17
DEUI131081-312	DEU	1.312	0.812	0.312	0.375	RF5182	
SURI100131-156	SUR	1.312	1.000	0.156	0.188	RF5024	
SURI106131-156	SUR	1.312	1.062	0.156	0.187	R16667	
DAPI137025-500	DAP	1.375	0.250	0.500	0.094		
GURI075137-312	GUR	1.375	0.750	0.312	0.375	RF5014	
SURI087137-250	SUR	1.375	0.875	0.250	0.275	R00291	SU18

PART N°	PROFILE	HOUSING DIMENSIONS				REFERENCE	ALTERNATIVE REFERENCE N°
		ØD	Ød	SH	L1		
DEUI137087-250	DEU	1.375	0.875	0.250	0.313	RF5183	
DEUI137087-312	DEU	1.375	0.875	0.312	0.375	R55402	
SURI100137-187	SUR	1.375	1.000	0.187	0.212	R07668	SU51
GURI100137-250	GUR	1.375	1.000	0.250	0.312	R07669	
SURI106137-156	SUR	1.375	1.062	0.156	0.188	RF5027	
SURI112137-125	SUR	1.375	1.125	0.125	0.156	RF5029	
GURI081143-375	GUR	1.437	0.812	0.375	0.437	RF5016	
SURI093143-250	SUR	1.437	0.937	0.250	0.275	R00292	SU19
DEUI143093-312	DEU	1.437	0.937	0.312	0.375	RF5184	
DEUI143100-250	DEU	1.437	1.000	0.250	0.313	RF5185	
DAPI150025-500	DAP	1.500	0.250	0.500	0.094		
SURI075150-375	SUR	1.500	0.750	0.375	0.437	R07673	
GURI087150-312	GUR	1.500	0.875	0.312	0.375	RF5018	
SURI100150-250	SUR	1.500	1.000	0.250	0.275	R00293	SU20
DEUI150100-312	DEU	1.500	1.000	0.312	0.375	R55505	
SURI112150-187	SUR	1.500	1.125	0.187	0.212	R30591	
SURI118150-156	SUR	1.500	1.187	0.156	0.187	R86818	
DEUI150118-250	DEU	1.500	1.187	0.250	0.281	R50589	
GURI093156-312	GUR	1.562	0.937	0.312	0.375	RF5021	
SURI106156-250	SUR	1.562	1.062	0.250	0.275	R00294	SU21
DEUI156106-250	DEU	1.562	1.062	0.250	0.281	R88677	
SURI125156-156	SUR	1.562	1.250	0.156	0.188	RF5032	
GURI093162-375	GUR	1.625	0.937	0.375	0.437	RF5022	
DEUI162100-375	DEU	1.625	1.000	0.375	0.437	R55403	
SURI112162-250	SUR	1.625	1.125	0.250	0.275	R00295	SU22
GURI112162-312	GUR	1.625	1.125	0.312	0.375	R08605	
DEUI162118-250	DEU	1.625	1.187	0.250	0.313	RF5186	
SURI125162-187	SUR	1.625	1.250	0.187	0.212	R30592	
SURI131162-156	SUR	1.625	1.312	0.156	0.188	RF5034	
GURI100168-375	GUR	1.687	1.000	0.375	0.438	RF5025	
SURI118168-250	SUR	1.687	1.187	0.250	0.275	R00296	SU23
DEUI168118-375	DEU	1.687	1.187	0.375	0.438	RF5187	
SURI137168-156	SUR	1.687	1.375	0.156	0.188	RF5036	
DAPI175025-500	DAP	1.750	0.250	0.500	0.094		
GURI100175-375	GUR	1.750	1.000	0.375	0.438	RF5026	
DEUI175112-375	DEU	1.750	1.125	0.375	0.437	R51247	
SURI125175-250	SUR	1.750	1.250	0.250	0.275	R00297	SU24
SURI137175-187	SUR	1.750	1.375	0.187	0.218	RF5037	
DEUI175137-274	DEU	1.750	1.375	0.274	0.328	R88174	
GURI106181-375	GUR	1.812	1.062	0.375	0.438	RF5028	
DEUI181111-400	DEU	1.812	1.112	0.400	0.469	RF5188	
SURI150181-156	SUR	1.812	1.500	0.156	0.188	RF5040	
GURI112187-375	GUR	1.875	1.125	0.375	0.438	RF5030	
SURI125187-312	SUR	1.875	1.250	0.312	0.343	R00298	SU25
DEUI187125-312	DEU	1.875	1.250	0.312	0.375	R55404	



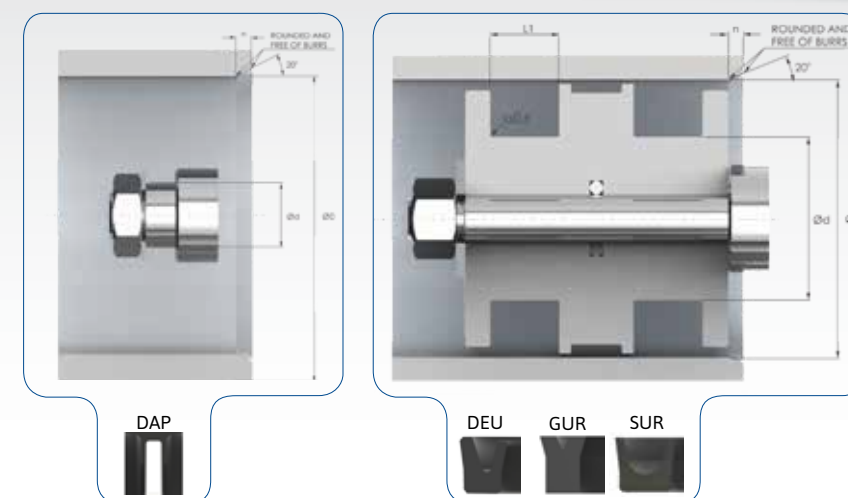
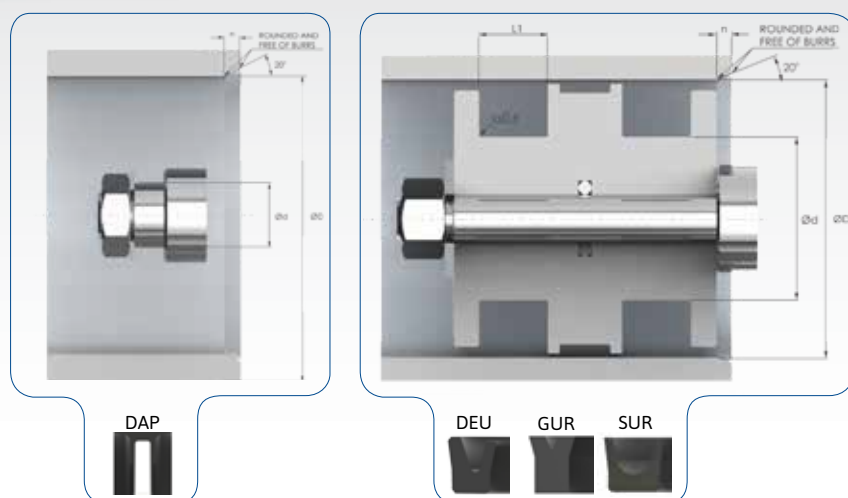
PART Nº	PROFILE	HOUSING DIMENSIONS				REFERENCE	ALTERNATIVE REFERENCE Nº
		ØD	Ød	SH	L1		
DEUI187125-375	DEU	1.875	1.250	0.375	0.438	RF5189	
SURI150187-187	SUR	1.875	1.500	0.187	0.218	RF5041	
GURI18193-375	GUR	1.937	1.187	0.375	0.438	RF5031	
DEUI193138-375	DEU	1.937	1.387	0.375	0.438	RF5190	
DAPI200037-562	DAP	2.000	0.375	0.562	0.125		
GURI125200-375	GUR	2.000	1.250	0.375	0.438	RF5033	
SURI137200-312	SUR	2.000	1.375	0.312	0.343	R00299	SU26
DEUI200137-375	DEU	2.000	1.375	0.375	0.438	RF5191	
GURI162200-187	GUR	2.000	1.625	0.187	0.000		
SURI162200-187	SUR	2.000	1.625	0.187	0.218	RF5045	
DEUI200162-281	DEU	2.000	1.625	0.281	0.343	R53586	
GURI131206-375	GUR	2.062	1.312	0.375	0.438	RF5035	
GURI137212-375	GUR	2.125	1.375	0.375	0.438	RF5038	
SURI150212-312	SUR	2.125	1.500	0.312	0.343	R00300	SU27
DEUI212150-375	DEU	2.125	1.500	0.375	0.437	R55405	
DEUI212162-375	DEU	2.125	1.625	0.375	0.437	R56179	
SURI175212-187	SUR	2.125	1.750	0.187	0.218	R07745	
GURI150218-250	GUR	2.187	1.500	0.250	0.313	RF5042	
DAPI225037-562	DAP	2.250	0.375	0.562	0.125		
GURI143225-312	GUR	2.250	1.437	0.312	0.375	RF5039	
SURI162225-312	SUR	2.250	1.625	0.312	0.343	R00397	SU28
DEUI225162-375	DEU	2.250	1.625	0.375	0.437	R15538	
DEUI225175-250	DEU	2.250	1.750	0.250	0.312	R16709	
SURI175225-285	SUR	2.250	1.750	0.285	0.313	RF5158	
GURI175225-312	GUR	2.250	1.750	0.312	0.375	R08610	
SURI187225-187	SUR	2.250	1.875	0.187	0.218	RF5050	
GURI156231-375	GUR	2.312	1.562	0.375	0.438	RF5043	
GURI162237-375	GUR	2.375	1.625	0.375	0.438	RF5046	
SURI175237-312	SUR	2.375	1.750	0.312	0.343	R00398	SU29
DEUI237175-375	DEU	2.375	1.750	0.375	0.437	R55406	
DEUI237187-250	DEU	2.375	1.875	0.250	0.312	R51680	
SURI193237-219	SUR	2.375	1.937	0.219	0.250	RF5051	
SURI200237-187	SUR	2.375	2.000	0.187	0.218	RF5159	
GURI200237-198	GUR	2.375	2.000	0.198	0.250	R07749	
GURI156243-375	GUR	2.437	1.562	0.375	0.438	RF5044	
GURI200243-312	GUR	2.437	2.000	0.312	0.375	R07753	
DAPI250037-562	DAP	2.500	0.375	0.562	0.125		
DEUI250180-350	DEU	2.500	1.800	0.350	0.400	R85999	
SURI187250-187	SUR	2.500	1.875	0.187	0.212	R00400	
GURI187250-312	GUR	2.500	1.875	0.312	0.343	R50391	
SURI187250-312	SUR	2.500	1.875	0.312	0.343	R00399	SU30
SURI187250-312V	SUR	2.500	1.875	0.312	0.343	R00399-	
DEUI250187-375	DEU	2.500	1.875	0.375	0.438	R50371	
SURI212250-187	SUR	2.500	2.125	0.187	0.218	RF5055	
GURI168256-375	GUR	2.562	1.687	0.375	0.437	RF5047	

PART Nº	PROFILE	HOUSING DIMENSIONS				REFERENCE	ALTERNATIVE REFERENCE Nº
		ØD	Ød	SH	L1		
GURI175262-437	GUR	2.625	1.750	0.437	0.500	RF5048	
SURI200262-312	SUR	2.625	2.000	0.312	0.343	R00453	SU31
DEUI262200-350	DEU	2.625	2.000	0.350	0.406	RF5192	
DEUI262200-375	DEU	2.625	2.000	0.375	0.437	R58485	
SURI225262-187	SUR	2.625	2.250	0.187	0.218	RF5058	
GURI181268-375	GUR	2.687	1.812	0.375	0.437	RF5049	
GURI193275-375	GUR	2.750	1.937	0.375	0.438	RF5052	
DEUI275200-500	DEU	2.750	2.000	0.500	0.562	R55704	
SURI212275-312	SUR	2.750	2.125	0.312	0.343	R00454	SU32
DEUI275212-375	DEU	2.750	2.125	0.375	0.437	R50620	
SURI237275-187	SUR	2.750	2.375	0.187	0.218	RF5061	
GURI206281-375	GUR	2.812	2.062	0.375	0.438	RF5054	
GURI200287-375	GUR	2.875	2.000	0.375	0.437	RF5053	
DEUI287212-500	DEU	2.875	2.125	0.500	0.562	RF5193	
SURI225287-312	SUR	2.875	2.250	0.312	0.343	R00455	SU33
SURI250287-187	SUR	2.875	2.500	0.187	0.218	RF5064	
DEUI287250-219	DEU	2.875	2.500	0.219	0.281	RF5194	
GURI212293-375	GUR	2.937	2.125	0.375	0.438	RF5056	
SURI250293-218	SUR	2.937	2.500	0.218	0.250	RF5065	
DAPI300500-562	DAP	3.000	0.500	0.562	0.125		
GURI218300-375	GUR	3.000	2.187	0.375	0.438	RF5057	
SURI225300-375	SUR	3.000	2.250	0.375	0.406	RF5059	
GURI225300-375	GUR	3.000	2.250	0.375	0.438	RF5060	
DEUI300225-500	DEU	3.000	2.250	0.500	0.563	R59942	
DEUI300228-344	DEU	3.000	2.285	0.344	0.406	RF5195	
SURI237300-312	SUR	3.000	2.375	0.312	0.343	R00456	SU34
SURI256300-218	SUR	3.000	2.562	0.218	0.250	RF5066	
SURI262300-187	SUR	3.000	2.625	0.187	0.218	R07776	
GURI237312-375	GUR	3.125	2.375	0.375	0.438	RF5062	
DEUI312237-500	DEU	3.125	2.375	0.500	0.563	RF5196	
SURI250312-312	SUR	3.125	2.500	0.312	0.343	R00457	SU35
DEUI312262-250	DEU	3.125	2.625	0.250	0.281	R58486	
SURI275312-187	SUR	3.125	2.750	0.187	0.218	RF5068	
SURI275318-218	SUR	3.187	2.750	0.218	0.250	RF5069	
DAPI325050-562	DAP	3.250	0.500	0.562	0.125		
GURI250325-375	GUR	3.250	2.500	0.375	0.400		
SURI250325-375	SUR	3.250	2.500	0.375	0.400	R00458	SU36
DEUI325250-500	DEU	3.250	2.500	0.500	0.562	R55702	
GURI262325-312	GUR	3.250	2.625	0.312	0.375	RF5067	
SURI275325-250	SUR	3.250	2.750	0.250	0.281	R07778	
SURI281325-218	SUR	3.250	2.812	0.218	0.250	RF5071	
DEUI325281-276	DEU	3.250	2.812	0.276	0.344	RF5197	
GURI237337-500	GUR	3.375	2.375	0.500	0.562	RF5063	
SURI262337-375	SUR	3.375	2.625	0.375	0.400	R00459	SU37
DEUI337287-375	DEU	3.375	2.875	0.375	0.438	RF5198	



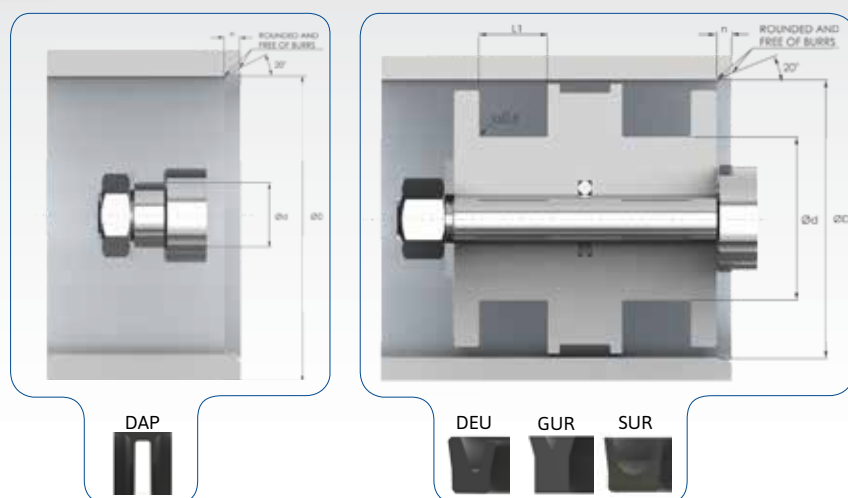
PART Nº	PROFILE	HOUSING DIMENSIONS				REFERENCE	ALTERNATIVE REFERENCE Nº
		ØD	Ød	SH	L1		
SURI300337-187	SUR	3.375	3.000	0.187	0.218	RF5073	
SURI300343-218	SUR	3.437	3.000	0.218	0.250	RF5074	
DAPI350500-750	DAP	3.500	0.500	0.750	0.187		
SURI275350-375	SUR	3.500	2.750	0.375	0.400	R00460	SU38
DEUI350275-500	DEU	3.500	2.750	0.500	0.563	RF5199	
SURI287350-312	SUR	3.500	2.875	0.312	0.344	R08690	
GURI287350-312	GUR	3.500	2.875	0.312	0.375	RF5072	
DEUI350300-250	DEU	3.500	3.000	0.250	0.312	R85620	
SURI306350-218	SUR	3.500	3.062	0.218	0.250	RF5077	
DEUI362300-375	DEU	3.620	3.000	0.375	0.438	RF5200	
SURI287362-375	SUR	3.625	2.875	0.375	0.400	R00461	SU39
GURI300362-312	GUR	3.625	3.000	0.312	0.375	RF5075	
GURI275375-375	GUR	3.750	2.750	0.375	0.438	RF5070	
SURI300375-375	SUR	3.750	3.000	0.375	0.400	R00462	SU40
DEUI375300-500	DEU	3.750	3.000	0.500	0.563	R51232	
DEUI375303-290	DEU	3.750	3.031	0.290	0.344	RF5201	
GURI300387-375	GUR	3.875	3.000	0.375	0.437	RF5076	
GURI312387-375	GUR	3.875	3.125	0.375	0.400	R07788	
SURI337387-250	SUR	3.875	3.375	0.250	0.281	RF5161	
DEUI387337-375	DEU	3.875	3.375	0.375	0.438	RF5202	
DAPI400500-750	DAP	4.000	0.500	0.750	0.187		
GURI306400-500	GUR	4.000	3.062	0.500	0.563	RF5078	
GURI325400-375	GUR	4.000	3.250	0.375	0.400	R55491	
SURI325400-375	SUR	4.000	3.250	0.375	0.400	R07793	
DEUI400325-400	DEU	4.000	3.250	0.400	0.445	R85845	
DEUI400325-500	DEU	4.000	3.250	0.500	0.563	RF5203	
SURI350400-250	SUR	4.000	3.500	0.250	0.281	RF5081	
DEUI400350-375	DEU	4.000	3.500	0.375	0.437	R16727	
GURI331412-438	GUR	4.125	3.312	0.438	0.500	RF5079	
GURI337412-375	GUR	4.125	3.375	0.375	0.438	RF5080	
DEUI412350-312	DEU	4.125	3.500	0.312	0.375	RF5204	
SURI350425-375	SUR	4.250	3.500	0.375	0.406	R07796	
GURI350425-375	GUR	4.250	3.500	0.375	0.438	RF5082	
DEUI425350-500	DEU	4.250	3.500	0.500	0.562	R55703	
SURI375425-250	SUR	4.250	3.750	0.250	0.281	RF5083	
DEUI425375-312	DEU	4.250	3.750	0.312	0.375	RF5205	
GURI362437-375	GUR	4.375	3.625	0.375	0.437	R07798	
DEUI437373-312	DEU	4.375	3.732	0.312	0.375	RF5206	
DAPI450750-750	DAP	4.500	0.750	0.750	0.187		
DEUI450350-625	DEU	4.500	3.500	0.625	0.688	R15488	
GURI375450-375	GUR	4.500	3.750	0.375	0.400	R07799	
SURI375450-375	SUR	4.500	3.750	0.375	0.400	R07801	
SURI400450-250	SUR	4.500	4.000	0.250	0.281	R07800	
DEUI450410-230	DEU	4.500	4.100	0.230	0.313	RF5207	

PART Nº	PROFILE	HOUSING DIMENSIONS				REFERENCE	ALTERNATIVE REFERENCE Nº
		ØD	Ød	SH	L1		
GURI387462-375	GUR	4.625	3.875	0.375	0.438	RF5084	
DEUI462412-375	DEU	4.625	4.125	0.375	0.437	R55847	
DEUI475375-625	DEU	4.750	3.750	0.625	0.688	RF5208	
GURI400475-375	GUR	4.750	4.000	0.375	0.438	RF5085	
GURI412475-375	GUR	4.750	4.125	0.375	0.438	RF5086	
SURI425475-250	SUR	4.750	4.250	0.250	0.281	RF5087	
DEUI475425-375	DEU	4.750	4.250	0.375	0.437	R89440	
GURI425487-312	GUR	4.875	4.250	0.312	0.375	R56217	
DEUI487437-375	DEU	4.875	4.375	0.375	0.437	RF5209	
DAPI500750-937	DAP	5.000	0.750	0.937	0.250		
DEUI500400-500	DEU	5.000	4.000	0.500	0.562	R55421	
DEUI500400-625	DEU	5.000	4.000	0.625	0.688	RF5210	
SURI425500-344	SUR	5.000	4.250	0.344	0.375	R07812	
SURI425500-375	SUR	5.000	4.250	0.375	0.400	RF5088	
DEUI500425-375	DEU	5.000	4.250	0.375	0.406	R55422	
DEUI500425-437	DEU	5.000	4.250	0.437	0.468	R55440	
GURI437500-312	GUR	5.000	4.375	0.312	0.375	RF5090	
SURI443500-281	SUR	5.000	4.437	0.281	0.312	RF5092	
SURI450500-250	SUR	5.000	4.500	0.250	0.275	R64066	
GURI443506-375	GUR	5.062	4.437	0.375	0.413	R07813	
GURI437512-375	GUR	5.125	4.375	0.375	0.438	RF5091	
DEUI512462-375	DEU	5.125	4.625	0.375	0.437	RF5211	
DEUI525425-625	DEU	5.250	4.250	0.625	0.688	RF5212	
GURI450525-375	GUR	5.250	4.500	0.375	0.438	RF5093	
SURI475525-250	SUR	5.250	4.750	0.250	0.281	RF5096	
DEUI525475-375	DEU	5.250	4.750	0.375	0.437	RF5213	
GURI450537-375	GUR	5.375	4.500	0.375	0.437	RF5094	
DEUI537487-375	DEU	5.375	4.875	0.375	0.437	RF5214	
DEUI550450-625	DEU	5.500	4.500	0.625	0.688	RF5215	
GURI462550-375	GUR	5.500	4.625	0.375	0.437	RF5095	
GURI475550-375	GUR	5.500	4.750	0.375	0.438	RF5097	
DEUI550500-375	DEU	5.500	5.000	0.375	0.437	R59903	
SURI500556-281	SUR	5.562	5.000	0.281	0.312	RF5099	
GURI487562-375	GUR	5.625	4.875	0.375	0.438	RF5098	
GURI500562-312	GUR	5.625	5.000	0.312	0.375	RF5100	
DEUI562512-375	DEU	5.625	5.125	0.375	0.438	RF5216	
DEUI575475-625	DEU	5.750	4.750	0.625	0.750	R88067	
GURI500575-375	GUR	5.750	5.000	0.375	0.438	RF5101	
SURI512575-312	SUR	5.750	5.125	0.312	0.344	RF5103	
GURI512587-375	GUR	5.875	5.125	0.375	0.438	RF5104	
DEUI587537-375	DEU	5.875	5.375	0.375	0.437	R59894	
DAPI600075-937	DAP	6.000	0.750	0.937	0.250		
GURI500600-500	GUR	6.000	5.000	0.500	0.563	RF5102	
DEUI600500-625	DEU	6.000	5.000	0.625	0.750	R55441	

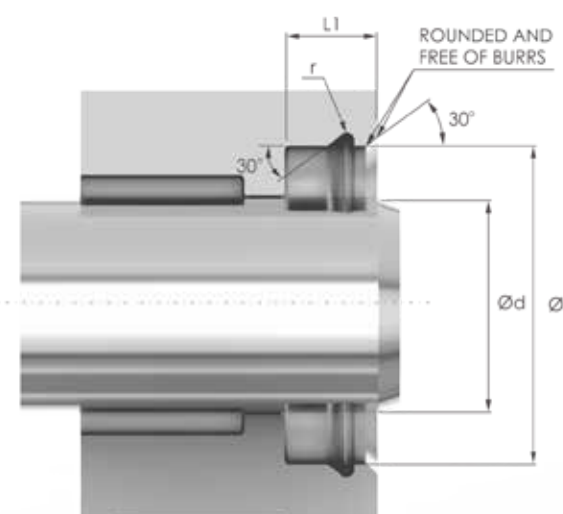
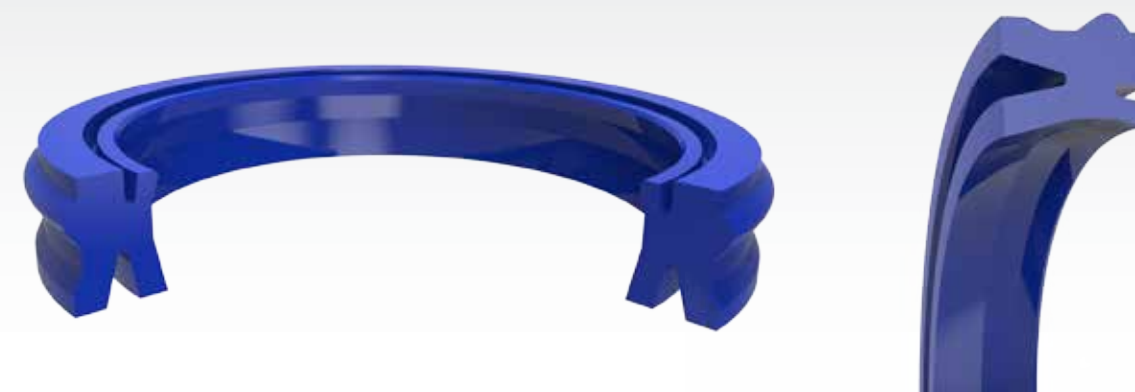


PART Nº	PROFILE	HOUSING DIMENSIONS				REFERENCE	ALTERNATIVE REFERENCE Nº
		ØD	Ød	SH	L1		
SURI512600-500	SUR	6.000	5.125	0.436	0.500	R86819	
SURI525600-375	SUR	6.000	5.250	0.375	0.406	R07825	
SURI537600-280	SUR	6.000	5.375	0.281	0.312	R07828	
SURI537600-312	SUR	6.000	5.375	0.312	0.344	RF5106	
SURI543600-281	SUR	6.000	5.437	0.281	0.312	RF5108	
DEUI600550-250	DEU	6.000	5.500	0.250	0.313	RF5217	
GURI537612-375	GUR	6.125	5.375	0.375	0.438	RF5107	
SURI550612-312	SUR	6.125	5.500	0.312	0.344	RF5109	
GURI525625-500	GUR	6.250	5.250	0.500	0.563	RF5105	
DEUI625525-625	DEU	6.250	5.250	0.625	0.750	R55493	
DEUI625593-188	DEU	6.250	5.930	0.188	0.250	RF5218	
GURI550650-500	GUR	6.500	5.500	0.500	0.562	RF5110	
DEUI650550-625	DEU	6.500	5.500	0.625	0.688	RF5219	
SURI593650-281	SUR	6.500	5.937	0.281	0.312	RF5112	
DEUI650610-295	DEU	6.500	6.100	0.295	0.359	RF5220	
SURI600662-312	SUR	6.625	6.000	0.312	0.344	RF5113	
DEUI675575-625	DEU	6.750	5.750	0.625	0.688	RF5221	
GURI600675-375	GUR	6.750	6.000	0.375	0.437	R07830	
DEUI675600-437	DEU	6.750	6.000	0.437	0.500	RF5222	
GURI575700-500	GUR	7.000	5.750	0.500	0.563	RF5111	
DEUI700600-625	DEU	7.000	6.000	0.625	0.750	R86389	
SURI612700-375	SUR	7.000	6.125	0.375	0.400	RF5115	
SURI625700-500	SUR	7.000	6.250	0.500	0.531	R07831	
SURI637700-312	SUR	7.000	6.375	0.312	0.344	RF5117	
DEUI700650-220	DEU	7.000	6.500	0.220	0.281	RF5223	
GURI600725-500	GUR	7.250	6.000	0.500	0.562	RF5114	
DEUI725600-750	DEU	7.250	6.000	0.750	0.813	RF5224	
DEUI725650-437	DEU	7.250	6.500	0.437	0.500	RF5225	
DEUI725650-500	DEU	7.250	6.500	0.500	0.562	R51750	
SURI737800-312	SUR	7.375	8.000	0.312	0.344	R07884	
GURI625750-625	GUR	7.500	6.250	0.625	0.688	RF5116	
DEUI750625-750	DEU	7.500	6.250	0.750	0.813	RF5226	
DEUI750675-375	DEU	7.500	6.750	0.375	0.438	RF5227	
DEUI775650-750	DEU	7.750	6.500	0.750	0.813	RF5228	
GURI700775-625	GUR	7.750	7.000	0.625	0.688	RF5122	
DEUI775725-250	DEU	7.750	7.250	0.250	0.313	RF5229	
GURI650800-750	GUR	8.000	6.500	0.750	0.813	RF5118	
DEUI800675-750	DEU	8.000	6.750	0.750	0.813	RF5230	
GURI700800-500	GUR	8.000	7.000	0.500	0.550	R30223	
SURI700800-500	SUR	8.000	7.000	0.500	0.550	RF5123	
GURI725800-437	GUR	8.000	7.250	0.437	0.500	R07883	
DEUI800750-270	DEU	8.000	7.500	0.270	0.344	RF5231	
GURI675825-750	GUR	8.250	6.750	0.750	0.812	RF5120	
DEUI825700-750	DEU	8.250	7.000	0.750	0.813	RF5232	

PART Nº	PROFILE	HOUSING DIMENSIONS				REFERENCE	ALTERNATIVE REFERENCE Nº
		ØD	Ød	SH	L1		
SURI750825-375	SUR	8.250	7.500	0.375	0.400	RF5125	
DEUI825775-260	DEU	8.250	7.750	0.260	0.328	RF5233	
GURI675850-750	GUR	8.500	6.750	0.750	0.813	RF5121	
DEUI850725-750	DEU	8.500	7.250	0.750	0.813	RF5234	
DEUI800850-270	DEU	8.500	8.000	0.270	0.344	RF5235	
GURI725875-750	GUR	8.750	7.250	0.750	0.813	RF5124	
DEUI875750-750	DEU	8.750	7.500	0.750	0.813	RF5236	
DEUI875790-500	DEU	8.750	7.900	0.500	0.563	RF5237	
GURI750900-750	GUR	9.000	7.500	0.750	0.813	RF5126	
DEUI900775-750	DEU	9.000	7.750	0.750	0.813	RF5238	
DEUI900825-500	DEU	9.000	8.250	0.500	0.563	RF5239	
GURI775925-750	GUR	9.250	7.750	0.750	0.813	RF5127	
DEUI925800-750	DEU	9.250	8.000	0.750	0.813	RF5240	
DEUI925875-270	DEU	9.250	8.750	0.270	0.344	RF5241	
GURI825950-625	GUR	9.500	8.250	0.625	0.688	RF5130	
DEUI950825-750	DEU	9.500	8.250	0.750	0.813	RF5242	
DEUI950900-270	DEU	9.500	9.000	0.270	0.344	RF5243	
GURI800975-750	GUR	9.750	8.000	0.750	0.813	RF5129	
DEUI975850-750	DEU	9.750	8.500	0.750	0.813	RF5244	
DEUI975900-375	DEU	9.750	9.000	0.375	0.438	RF5245	
DEUI975900-500	DEU	9.750	9.000	0.500	0.562	R55482	
GURI8501000-750	GUR	10.000	8.500	0.750	0.813	RF5131	
DEUI1000875-750	DEU	10.000	8.750	0.750	0.800	RF5246	
SURI9001000-500	SUR	10.000	9.000	0.500	0.562	R07893	
SURI9251000-375	SUR	10.000	9.250	0.375	0.406	R07894	
DEUI1000925-500	DEU	10.000	9.250	0.500	0.563	RF5247	
SURI9311000-344	SUR	10.000	9.312	0.344	0.375	RF5133	
DEUI1025900-750	DEU	10.250	9.000	0.750	0.813	RF5248	
GURI9001050-875	GUR	10.500	9.000	0.875	0.938	RF5132	
DEUI1050925-750	DEU	10.500	9.250	0.750	0.813	RF5249	
DEUI1050975-500	DEU	10.500	9.750	0.500	0.560	RF5250	
DEUI1075950-750	DEU	10.750	9.500	0.750	0.813	RF5251	
GURI9501100-875	GUR	11.000	9.500	0.875	0.938	RF5134	
DEUI1100975-750	DEU	11.000	9.750	0.750	0.813	RF5252	
DEUI11001055-270	DEU	11.000	10.550	0.270	0.344	RF5253	
DEUI11251000-750	DEU	11.250	10.000	0.750	0.813	RF5254	
GURI10001150-875	GUR	11.500	10.000	0.875	0.938	RF5135	
DEUI11501025-750	DEU	11.500	10.250	0.750	0.750	RF5255	
DEUI11501100-250	DEU	11.500	11.000	0.250	0.313	RF5256	
DEUI11751050-750	DEU	11.750	10.500	0.750	0.813	RF5257	
SURI10001200-500	SUR	12.000	10.000	0.500	0.550	RF5137	
GURI10501200-875	GUR	12.000	10.500	0.875	0.938	RF5136	
DEUI12001075-750	DEU	12.000	10.750	0.750	0.813	RF5258	
DEUI12001100-500	DEU	12.000	11.000	0.500	0.563	RF5259	



PART N ^o	PROFILE	HOUSING DIMENSIONS				REFERENCE	ALTERNATIVE REFERENCE N ^o
		ØD	Ød	SH	L1		
GURI11001250-875	GUR	12.500	11.000	0.875	0.938	RF5138	
DEUI12501200-270	DEU	12.500	12.000	0.270	0.344	RF5260	
GURI11501300-875	GUR	13.000	11.500	0.875	0.938	RF5139	
DEUI13001225-500	DEU	13.000	12.250	0.500	0.563	RF5261	
GURI12001350-875	GUR	13.500	12.000	0.875	0.938	RF5140	
DEUI13501275-500	DEU	13.500	12.750	0.500	0.563	RF5262	
GURI12501400-875	GUR	14.000	12.500	0.875	0.938	RF5141	
SURI13001400-500	SUR	14.000	13.000	0.500	0.550	RF5142	
SURI13181400-406	SUR	14.000	13.187	0.406	0.438	RF5145	
DEUI14001319-500	DEU	14.000	13.190	0.500	0.563	RF5263	
GURI13001450-875	GUR	14.500	13.000	0.875	0.938	RF5144	
GURI13251500-875	GUR	15.000	13.250	0.875	0.938	RF5146	
GURI13501525-875	GUR	15.250	13.500	0.875	0.938	RF5147	
GURI14001550-875	GUR	15.500	14.000	0.875	0.938	RF5148	
GURI14501600-875	GUR	16.000	14.500	0.875	0.938	RF5149	
GURI15001650-875	GUR	16.500	15.000	0.875	0.938	RF5150	
GURI15501700-875	GUR	17.000	15.500	0.875	0.938	RF5151	
GURI16001750-875	GUR	17.500	16.000	0.875	0.938	RF5152	
GURI16501800-875	GUR	18.000	16.500	0.875	0.938	RF5153	
GURI17001850-875	GUR	18.500	17.000	0.875	0.938	RF5154	
GURI17501900-875	GUR	19.000	17.500	0.875	0.938	RF5155	
GURI18001950-875	GUR	19.500	18.000	0.875	0.938	RF5156	
GURI18502000-750	GUR	20.000	18.500	0.750	0.813	RF5157	



DESIGN

- Single acting pneumatic rod seal designed without the need for an additional part for axial fitment.
- Designed to work in grooves with restricted space.

MATERIAL

- 92A Polyurethane - precision moulded

APPLICATION

- General Purpose pneumatic cylinders.

FLUIDS

- Dried and de-greased compressed air.

TECHNICAL SPECIFICATIONS

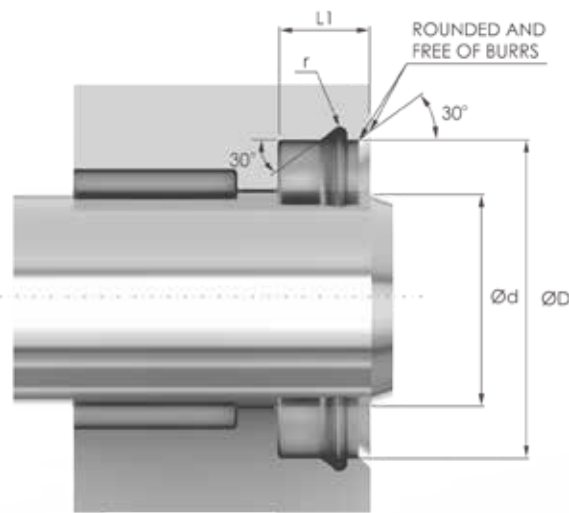
SPECIFIED TOLERANCES		
ØD	Ød	L1
Js11	h9	+ 0.2 (+ 0.008) + 0.4 (+ 0.016)

MAXIMUM OPERATING CONDITIONS		
Temp °C	Pressure	Speed
- 30° to + 80° C	20 bar (300 psi)	1.0 m/sec (3.0 ft/sec)

SURFACE FINISH	
DYNAMIC SEALING SURFACE	0.1 to 0.4 µm Ra
STATIC SEALING SURFACE	0.8 to 1.6 µm Ra
STATIC HOUSING FACE	1.4 to 3.2 µm Ra

MAXIMUM EXTRUSION GAP V PRESSURE			
G mm	Bar	G inches	p.s.i
0.60	100	0.024	1500
0.50	150	0.020	2400
0.45	250	0.018	3750
0.40	300	0.016	4500

RADII AND CHAMFER						
S mm	4.00	5.00	7.50	10.00	12.50	15.00
R mm	0.20	0.40	0.80	0.80	1.20	1.60
C mm	3.20	4.00	6.00	8.00	10.00	12.00
S inches	0.125	0.187	0.250	0.312	0.375	0.500
R inches	0.008	0.016	0.032	0.032	0.048	0.062
C inches	0.100	0.150	0.200	0.250	0.300	0.400



TECHNICAL SPECIFICATIONS

SPECIFIED TOLERANCES		
ØD	Ød	L1
Js11	h9	+ 0.2 (+ 0.008) + 0.4 (+ 0.016)

MAXIMUM OPERATING CONDITIONS		
Temp °C	Pressure	Speed
- 30° to + 105° C	20 bar (300 psi)	1.0 m/sec (3.0 ft/sec)

SURFACE FINISH	
DYNAMIC SEALING SURFACE	0.1 to 0.4 µm Ra
STATIC SEALING SURFACE	0.8 to 1.6 µm Ra
STATIC HOUSING FACE	1.4 to 3.2 µm Ra

MAXIMUM EXTRUSION GAP V PRESSURE			
G mm	Bar	G inches	p.s.i
0.60	100	0.024	1500
0.50	150	0.020	2400
0.45	250	0.018	3750
0.40	300	0.016	4500

RADII AND CHAMFER						
S mm	4.00	5.00	7.50	10.00	12.50	15.00
R mm	0.20	0.40	0.80	0.80	1.20	1.60
C mm	3.20	4.00	6.00	8.00	10.00	12.00
S inches	0.125	0.187	0.250	0.312	0.375	0.500
R inches	0.008	0.016	0.032	0.032	0.048	0.062
C inches	0.100	0.150	0.200	0.250	0.300	0.400

DESIGN

- Single acting two-piece pneumatic rod seal with one nitrile sealing element and one polyester elastomer scraper ring.
- Design provides benefit of multiple single-purpose material, each providing the benefit of their specific characteristics.
- Thermoplastic scraper ring has great scraping effect over a softer material.
- Dual material choice provides good resistance to rapid temperature changes.

MATERIAL

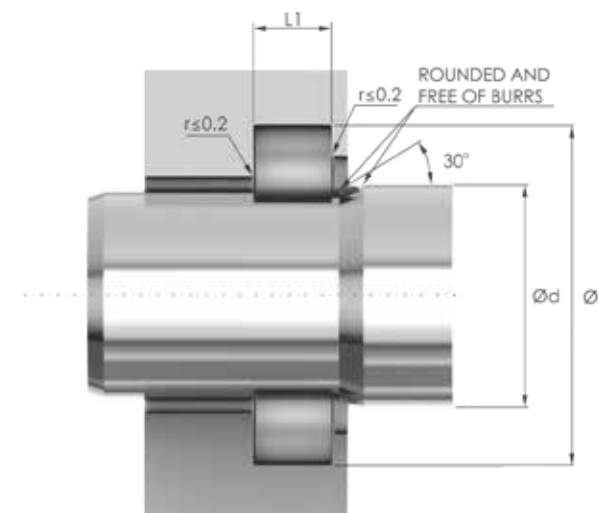
- 80A Nitrile main sealing element - Precision Moulded
- 55D Thermoplastic scraper ring - Precision Moulded

APPLICATION

- General Purpose pneumatic cylinders.

FLUIDS

- Dried and de-greased compressed air.



TECHNICAL SPECIFICATIONS

SPECIFIED TOLERANCES		
ØD	Ød	L1
Js11	h9	+ 0.2 (+ 0.008) + 0.4 (+ 0.016)

MAXIMUM OPERATING CONDITIONS		
Temp °C	Pressure	Speed
- 30° to + 80° C	20 bar (300 psi)	1.0 m/sec (3.0 ft/sec)

SURFACE FINISH	
DYNAMIC SEALING SURFACE	0.1 to 0.4 µm Ra
STATIC SEALING SURFACE	0.8 to 1.6 µm Ra
STATIC HOUSING FACE	1.4 to 3.2 µm Ra

MAXIMUM EXTRUSION GAP V PRESSURE			
G mm	Bar	G inches	p.s.i
0.60	150	0.024	2175
0.40	250	0.016	3625
0.30	40	0.012	5800

RADII AND CHAMFER						
S mm	4.00	5.00	7.50	10.00	12.50	15.00
R mm	0.20	0.40	0.80	0.80	1.20	1.60
C mm	3.20	4.00	6.00	8.00	10.00	12.00
S inches	0.125	0.187	0.250	0.312	0.375	0.500
R inches	0.008	0.016	0.032	0.032	0.048	0.062
C inches	0.100	0.150	0.200	0.250	0.300	0.400

DESIGN

- General purpose medium to heavy duty pneumatic cushioning seal.
- Seal has specially integrated lugs on the shoulder of the seal to further relieve pressure in instances of pressure spike. These lugs have additional benefit of providing a guided passage to the airflow.

MATERIAL

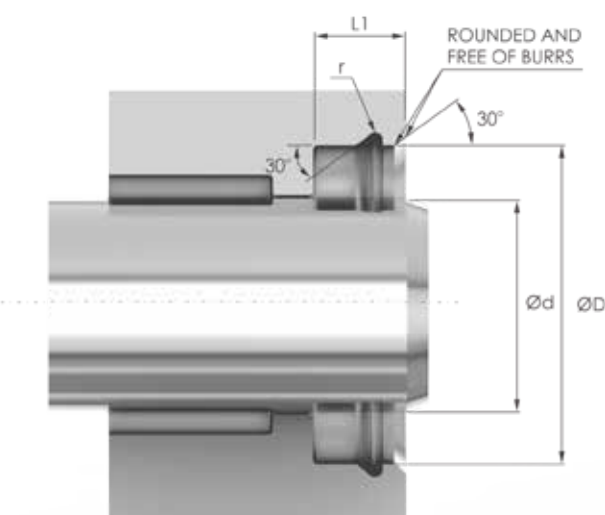
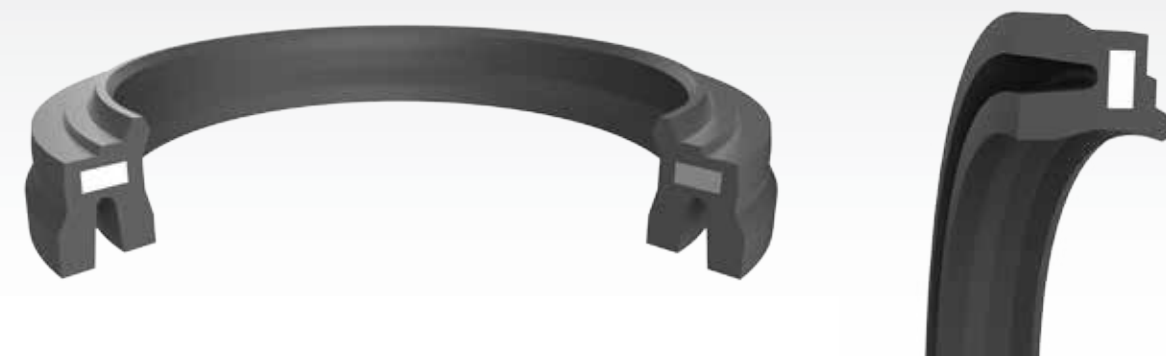
- PU92A Polyurethane - precision moulded.

APPLICATION

- General purpose pneumatic cylinders. Medium to Heavy Duty

FLUIDS

- Dried and de-greased compressed air.



TECHNICAL SPECIFICATIONS

SPECIFIED TOLERANCES		
ØD	Ød	L1
Js11	h9	+0.2 (+ 0.008) +0.4 (+ 0.016)

MAXIMUM OPERATING CONDITIONS		
Temp °C	Pressure	Speed
- 30° to +100° C	100 bar (1500 psi)	0.5 m/sec (1.5 ft/sec)

SURFACE FINISH	
DYNAMIC SEALING SURFACE	0.1 to 0.4 µm Ra
STATIC SEALING SURFACE	0.8 to 1.6 µm Ra
STATIC HOUSING FACE	1.4 to 3.2 µm Ra

MAXIMUM EXTRUSION GAP V PRESSURE			
G mm	Bar	G inches	p.s.i
0.7	10	0.028	150
0.6	30	0.024	500
0.5	70	0.020	1000
0.4	100	0.016	1500

RADII AND CHAMFER						
S mm	4.00	5.00	7.50	10.00	12.50	15.00
R mm	0.20	0.40	0.80	0.80	1.20	1.60
C mm	3.20	4.00	6.00	8.00	10.00	12.00
S inches	0.125	0.187	0.250	0.312	0.375	0.500
R inches	0.008	0.016	0.032	0.032	0.048	0.062
C inches	0.100	0.150	0.200	0.250	0.300	0.400

DESIGN

- Single acting rod seal.
- Deep groove ensures low friction and linear movement at low pressures.

MATERIAL

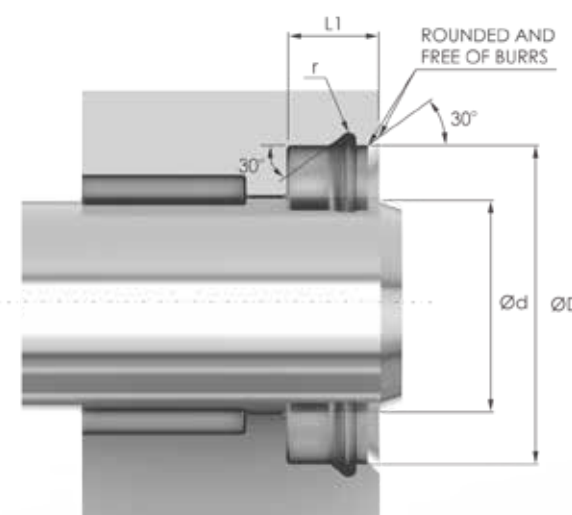
- Nitrile rubber seal.

APPLICATION

- Used in pneumatic and light duty hydraulic applications.

FLUIDS

- Hydraulic fluids & petroleum fuels & oils.



TECHNICAL SPECIFICATIONS

SPECIFIED TOLERANCES		
ØD	Ød	L1
Js11	h9	+0.2 (+ 0.008) +0.4 (+ 0.016)

MAXIMUM OPERATING CONDITIONS		
Temp °C	Pressure	Speed
- 30° to + 105° C	20 bar (300 psi)	1.0 m/sec (3.0 ft/sec)

SURFACE FINISH	
DYNAMIC SEALING SURFACE	0.1 to 0.4 µm Ra
STATIC SEALING SURFACE	0.8 to 1.6 µm Ra
STATIC HOUSING FACE	1.4 to 3.2 µm Ra

MAXIMUM EXTRUSION GAP V PRESSURE			
G mm	Bar	G inches	p.s.i
0.60	100	0.024	1500
0.50	150	0.020	2400
0.45	250	0.018	3750
0.40	300	0.016	4500

RADII AND CHAMFER						
S mm	4.00	5.00	7.50	10.00	12.50	15.00
R mm	0.20	0.40	0.80	0.80	1.20	1.60
C mm	3.20	4.00	6.00	8.00	10.00	12.00
S inches	0.125	0.187	0.250	0.312	0.375	0.500
R inches	0.008	0.016	0.032	0.032	0.048	0.062
C inches	0.100	0.150	0.200	0.250	0.300	0.400

DESIGN

- General purpose medium to heavy duty single acting pneumatic rod and wiper combination seal.
- Seal is constructed from a central stabilising steel ring with a vulcanised Nitrile shell.
- Good adjustment to temperature changes due to internal steel core.

MATERIAL

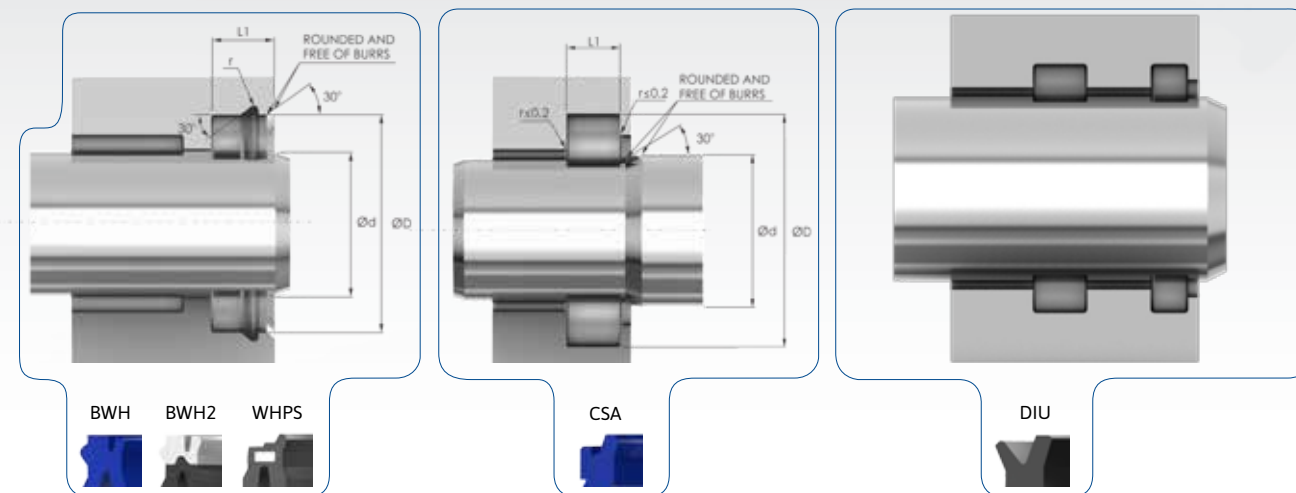
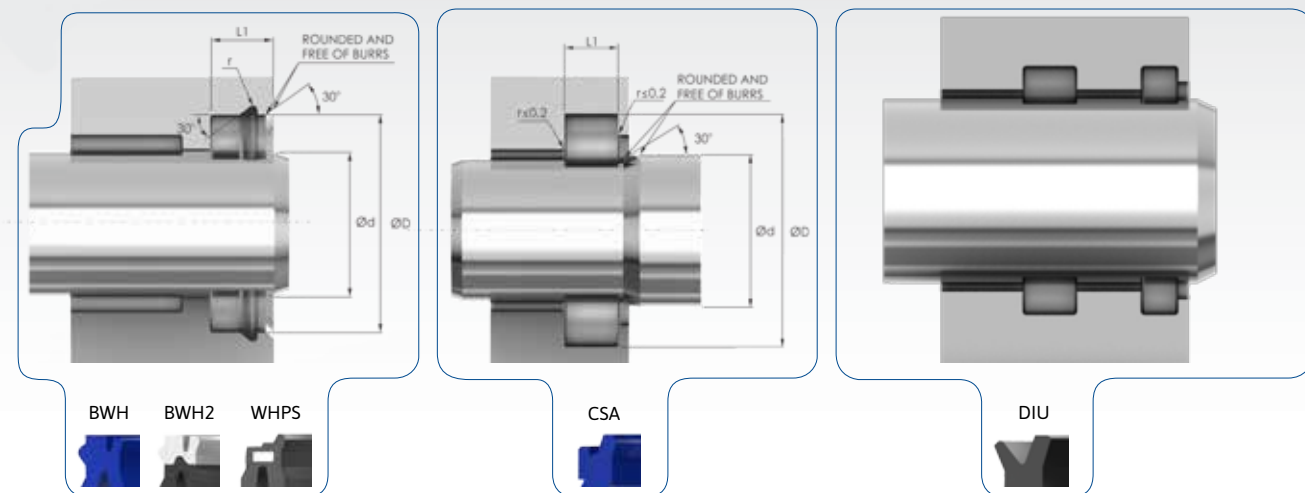
- 70A Nitrile shell - Precision moulded.
- Carbon Steel center core.

APPLICATION

- General purpose pneumatic cylinders. Medium to Heavy Duty

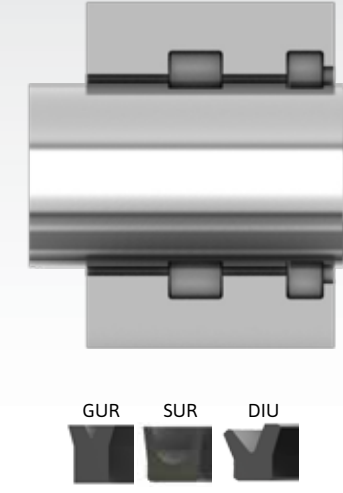
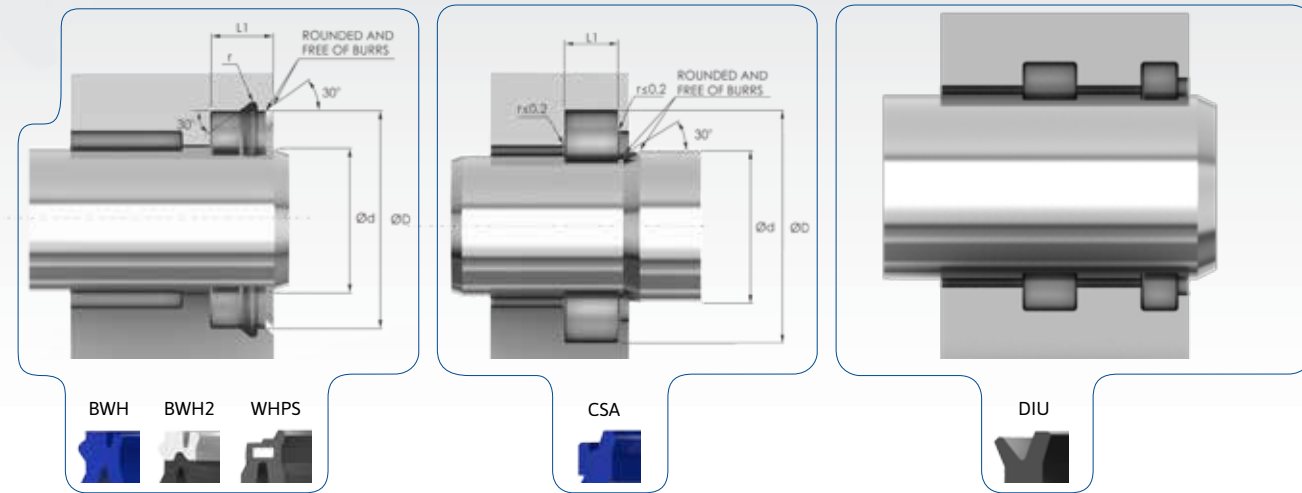
FLUIDS

- Dried and de-greased compressed air.



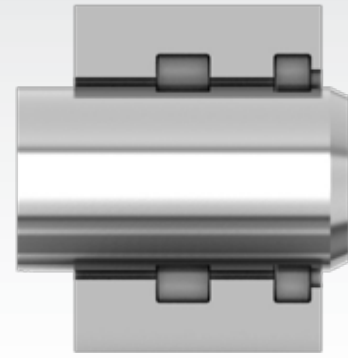
PART Nº	PROFILE	HOUSING DIMENSIONS				ALTERNATIVE REFERENCE Nº
		Ød	ØD	SH	L1	
DIUM006010-030	DIU	6.00	10.00	3.00	3.30	R46731
CSAM006010-037	CSA	6.00	10.00	3.70	3.70	
DIUM006012-040	DIU	6.00	12.00	4.00	5.50	RF4700
CSAM008011-033	CSA	8.00	11.60	3.50	3.30	
DIUM008014-040	DIU	8.00	14.00	4.00	5.50	RF4701
DIUM008016-055	DIU	8.00	16.00	5.50	7.00	RF4702
DIUM009016-024	DIU	9.00	16.00	2.40	3.00	
CSAM009015-045	CSA	9.50	15.00	4.60	4.50	
DIUM010013-023	DIU	10.00	13.60	2.30	2.70	R45610
DIUM010015-035	DIU	10.00	15.00	3.50	4.00	
DIUM010016-045	DIU	10.00	16.00	4.50	5.00	R46470
WHPM010017-070S	WHP/S	10.00	17.00	9.50	7.00	
DIUM010018-055	DIU	10.00	18.00	5.50	7.00	RF4703
CSAM010018-070	CSA	10.00	18.00	7.80	7.00	
WHPM010020-070S	WHP/S	10.00	20.00	9.50	7.00	
DIUM012016-029	DIU	12.00	16.00	2.90	3.20	RF4704
CSAM012018-048	CSA	12.00	18.00	5.00	4.80	
DIUM012019-045	DIU	12.00	19.00	4.50	5.00	
DIUM012020-055	DIU	12.00	20.00	5.50	7.00	RF4705
CSAM012020-070	CSA	12.00	20.00	7.80	7.00	
WHPM012020-060S	WHP/S	12.00	20.00	8.50	6.00	
BWHM012020-107	BWH	12.00	20.00		10.70	
WHPM012022-070S	WHP/S	12.00	22.00	9.50	7.00	
BWHM012022-110	BWH	12.00	22.00		11.00	R46339
BWHM012022-110/2	BWH2	12.00	22.00		11.00	
DIUM014022-055	DIU	14.00	22.00	5.50	7.00	RF4706
CSAM014022-070	CSA	14.00	22.00	7.80	7.00	
WHPM014024-070S	WHP/S	14.00	24.00	9.50	7.00	
BWHM014024-110/2	BWH2	14.00	24.00		11.00	
CSAM016022-052	CSA	16.00	22.00	5.50	5.20	
DIUM016024-055	DIU	16.00	24.00	5.50	7.00	RF4707
CSAM016024-070	CSA	16.00	24.00	7.80	7.00	
WHPM016026-070S	WHP/S	16.00	26.00	8.50	7.00	
BWHM016026-107	BWH	16.00	26.00		10.70	
BWHM016026-110/2	BWH2	16.00	26.00		11.00	
DIUM018025-045	DIU	18.00	25.00	4.50	6.00	RF4708
DIUM018026-055	DIU	18.00	26.00	5.50	7.00	RF4709
CSAM018026-070	CSA	18.00	26.00	7.80	7.00	R86828
WHPM018026-060S	WHP/S	18.00	26.00	9.50	6.00	
BWHM018026-107	BWH	18.00	26.00		10.70	
WHPM018028-070S	WHP/S	18.00	28.00	9.50	7.00	
BWHM018028-110/2	BWH2	18.00	28.00		11.00	
DIUM020028-052S	DIU	20.00	28.00	5.20	5.70	RF4710
DIUM020028-055	DIU	20.00	28.00	5.50	7.00	RF4711
DIUM020028-065	DIU	20.00	28.00	6.50	7.00	

PART Nº	PROFILE	HOUSING DIMENSIONS				ALTERNATIVE REFERENCE Nº
		Ød	ØD	SH	L1	
CSAM020028-070	CSA	20.00	28.00	7.80	7.00	R89576
BWHM020028-107	BWH	20.00	28.00		10.70	
WHPM020030-070S	WHP/S	20.00	30.00	9.50	7.00	R88693
DIUM020030-100	DIU	20.00	30.00	10.00	11.50	R51189
BWHM020030-110/2	BWH2	20.00	30.00		11.00	R89543
BWHM020030-110	BWH	20.00	30.00		11.00	
BWHM020032-110/2	BWH2	20.00	32.00		11.00	
DIUM022030-050	DIU	22.00	30.00	5.00	6.00	R86816
DIUM022030-055	DIU	22.00	30.00	5.50	7.00	RF4712
CSAM022030-070	CSA	22.00	30.00	7.80	7.00	R86610
BWHM022030-107	BWH	22.00	30.00		10.70	
WHPM022032-070S	WHP/S	22.00	32.00	9.50	7.00	RF3811
BWHM022032-112	BWH	22.00	32.00		11.20	
BWHM022032-112/2	BWH2	22.00	32.00		11.20	
DIUM022030-052A	DIU	22.40	30.00	5.20	5.70	R16634
CSAM024032-070	CSA	24.00	32.00	7.80	7.00	
CSAM025033-044	CSA	25.00	32.00	5.50	4.40	R46009
DIUM025033-052	DIU	25.00	33.00	5.20	5.70	RF4713
CSAM025033-070	CSA	25.00	33.00	7.80	7.00	R88994
DIUM025035-070	DIU	25.00	35.00	7.00	8.50	RF4714
WHPM025035-070S	WHP/S	25.00	35.00	9.50	7.00	
BWHM025035-112	BWH	25.00	35.00		11.20	R89528
BWHM025035-112/2	BWH2	25.00	35.00		11.20	
DIUM028036-055	DIU	28.00	36.00	5.50	7.00	RF4715
CSAM028036-070	CSA	28.00	36.00	7.80	7.00	R46599
DIUM028038-070	DIU	28.00	38.00	7.00	8.50	RF4716
BWHM028038-112/2	BWH2	28.00	38.00		11.20	
CSAM030038-058	CSA	30.00	38.00	6.50	5.80	R86759
DIUM030040-065	DIU	30.00	40.00	6.50	7.00	RF4717
CSAM030040-070	CSA	30.00	40.00	7.80	7.00	R89075
WHPM030040-070S	WHP/S	30.00	40.00	9.50	7.00	
BWHM030040-112	BWH	30.00	40.00		11.20	
BWHM030040-112/2	BWH2	30.00	40.00		11.20	
DIUM032038-043	DIU	32.00	38.00	4.30	4.70	RF4718
CSAM032040-070	CSA	32.00	40.00	7.80	7.00	
DIUM032042-070	DIU	32.00	42.00	7.00	8.50	RF4719
CSAM032042-070	CSA	32.00	42.00	7.80	7.00	
WHPM032042-070S	WHP/S	32.00	42.00	9.50	7.00	
BWHM032042-112	BWH	32.00	42.00		11.20	
BWHM032042-112/2	BWH2	32.00	42.00		11.20	
DIUM035041-043	DIU	35.00	41.00	4.30	4.70	RF4720
DIUM035045-065	DIU	35.00	45.00	6.50	7.00	RF4721
WHPM035045-070S	WHP/S	35.00	45.00	9.50	7.00	
BWHM035045-112/2	BWH2	35.00	45.00		11.20	
DIUM035046-065	DIU	35.00	46.00	6.50	7.00	RF4722

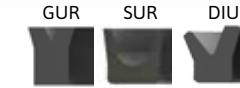
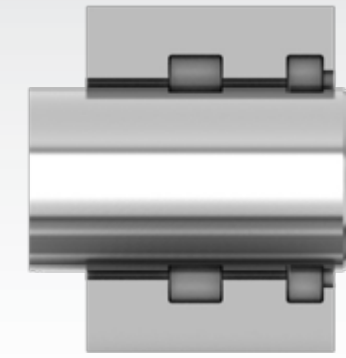


PART N°	PROFILE	HOUSING DIMENSIONS				ALTERNATIVE REFERENCE N°
		Ød	ØD	SH	L1	
DIUM036046-0655	DIU	36.00	46.00	6.50	7.00	
DIUM036046-070	DIU	36.00	46.00	7.00	8.50	RF4723
CSAM036046-070	CSA	36.00	46.00	7.80	7.00	
DIUM040050-070	DIU	40.00	50.00	7.00	8.50	RF4724
CSAM040050-070	CSA	40.00	50.00	7.80	7.00	R89441
BWHM040050-112	BWH	40.00	50.00		11.20	
BWHM040050-112/2	BWH2	40.00	50.00		11.20	
DIUM045055-065	DIU	45.00	55.00	6.50	7.00	RF4725
DIUM045055-070	DIU	45.00	55.00	7.00	8.50	RF4726
BWHM045055-122	BWH	45.00	55.00		12.20	
BWHM045055-122/2	BWH2	45.00	55.00		12.20	
DIUM050060-065	DIU	50.00	60.00	6.50	7.00	RF4727
DIUM050060-070	DIU	50.00	60.00	7.00	8.50	RF4728
CSAM050060-070	CSA	50.00	60.00	7.80	7.00	
WHPM050060-070S	WHP/S	50.00	60.00	9.50	7.00	
BWHM050060-122	BWH	50.00	60.00		12.20	
BWHM050060-122/2	BWH2	50.00	60.00		12.20	
CSAM050067-125	CSA	50.00	67.00	11.00	12.50	R89504
DIUM056068-070	DIU	56.00	68.00	7.00	8.50	RF4729
DIUM056068-085	DIU	56.00	68.00	8.50	10.00	RF4730
CSAM057074-125	CSA	57.00	74.00	11.00	12.50	
DIUM060072-085	DIU	60.00	72.00	8.50	10.00	RF4731
DIUM063075-085	DIU	63.00	75.00	8.50	10.00	RF4732
BWHM063075-130	BWH	63.00	75.00		13.00	
BWHM063075-130/2	BWH2	63.00	75.00		13.00	
DIUM065077-085	DIU	65.00	77.00	8.50	10.00	RF4733
DIUM070082-085	DIU	70.00	82.00	8.50	10.00	RF4734
CSAM070087-125	CSA	70.00	87.00	11.00	12.50	R86909
CSAM078095-125	CSA	78.00	95.00	11.00	12.50	
DIUM080092-085	DIU	80.00	92.00	8.50	10.00	RF4735
DIUM090102-085	DIU	90.00	102.00	8.50	10.00	RF4736
DIUM090102-088	DIU	90.00	102.00	8.80	9.50	R45234
DIUM100112-085	DIU	100.00	112.00	8.50	10.00	RF4737
DIUM100115-100	DIU	100.00	115.00	10.00	11.50	RF4738
DIUM110130-140	DIU	110.00	130.00	14.00	15.50	RF4739
DIUM119136-105	DIU	119.00	136.00	10.50	12.00	R51650
DIUM125145-140	DIU	125.00	145.00	14.00	15.50	RF4740
DIUM140160-140	DIU	140.00	160.00	14.00	15.50	RF4741
DIUM160180-140	DIU	160.00	180.00	14.00	15.50	RF4742
DIUM180200-140	DIU	180.00	200.00	14.00	15.50	RF4743

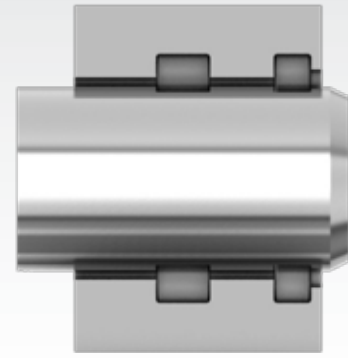
PART N°	PROFILE	HOUSING DIMENSIONS				REFERENCE	ALTERNATIVE REFERENCE N°
		ØD	Ød	SH	L1		
SURI012031-094	SUR	0.125	0.312	0.094	0.125	R16677	
GURI012031-094	GUR	0.125	0.312	0.094	0.156	RF5000	
DIUI012034-156	DIU	0.125	0.343	0.156	0.219	R88175	
SURI012037-125	SUR	0.125	0.375	0.125	0.138	R30589	
SURI012050-187	SUR	0.125	0.500	0.187	0.212	R00274	SU01
GURI018037-094	GUR	0.187	0.375	0.094	0.156	RF5001	
SURI018043-125	SUR	0.187	0.437	0.125	0.138	R30590	
DIUI018043-156	DIU	0.187	0.437	0.156	0.219	RF5264	
SURI018056-187	SUR	0.187	0.562	0.187	0.212	R00275	SU02
GURI025043-094	GUR	0.250	0.437	0.094	0.156	RF5002	
GURI025043-125	GUR	0.250	0.437	0.125	0.177	R15444	
SURI025050-125	SUR	0.250	0.500	0.125	0.138	R08589	
DIUI025050-156	DIU	0.250	0.500	0.156	0.219	R54703	
SURI025062-187	SUR	0.250	0.625	0.187	0.212	R00276	SU03
SURI025075-250	SUR	0.250	0.750	0.250	0.275	R00281	SU08
SURI031050-094	SUR	0.312	0.500	0.094	0.125	RF5003	
GURI031050-187	GUR	0.312	0.500	0.187	0.250	RF5004	
GURI031056-125	GUR	0.312	0.562	0.125	0.138		
SURI031056-125	SUR	0.312	0.562	0.125	0.138	R51011	SU44
DIUI031056-156	DIU	0.312	0.562	0.156	0.219	R54138	
SURI031068-187	SUR	0.312	0.687	0.187	0.212	R00277	SU04
SURI031081-250	SUR	0.312	0.812	0.250	0.275	R00282	SU09
GURI037062-125	GUR	0.375	0.625	0.125	0.138	R07632	
DIUI037062-187	DIU	0.375	0.625	0.187	0.219		
DIUI037065-156	DIU	0.375	0.650	0.156	0.219	R54584	
SURI037075-187	SUR	0.375	0.750	0.187	0.212	R00278	SU05
SURI037087-250	SUR	0.375	0.875	0.250	0.275	R00283	SU10
GURI043068-125	GUR	0.437	0.687	0.125	0.138		
SURI043068-125	SUR	0.437	0.687	0.125	0.138	R86750	
DIUI043075-156	DIU	0.437	0.750	0.156	0.219	RF5265	
GURI043075-187	GUR	0.437	0.750	0.187	0.250	RF5005	
SURI043081-187	SUR	0.437	0.812	0.187	0.212	R00279	SU06
SURI043093-250	SUR	0.437	0.937	0.250	0.275	R00284	SU11
SURI050075-125	SUR	0.500	0.750	0.125	0.138	R07643	SU07
GURI050081-219	GUR	0.500	0.812	0.219	0.281	RF5006	
DIUI050082-200	DIU	0.500	0.828	0.200	0.281	R15420	
GURI050087-187	GUR	0.500	0.875	0.187	0.212		
SURI050087-187	SUR	0.500	0.875	0.187	0.212	R00280	
SURI050100-250	SUR	0.500	1.000	0.250	0.275	R00285	SU12
DIUI056081-187	DIU	0.562	0.812	0.187	0.250	R55436	
GURI056093-187	GUR	0.562	0.937	0.187	0.250	RF5007	
SURI056106-250	SUR	0.562	1.062	0.250	0.275	R00286	SU13
SURI062087-125	SUR	0.625	0.875	0.125	0.156	RF5008	
DIUI062087-187	DIU	0.625	0.875	0.187	0.250	RF5266	
SURI062100-187	SUR	0.625	1.000	0.187	0.212	R53368	



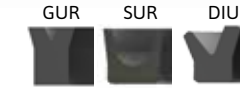
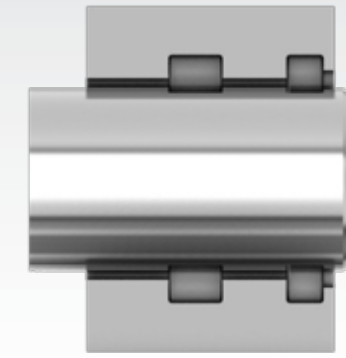
PART N°	PROFILE	HOUSING DIMENSIONS				REFERENCE	ALTERNATIVE REFERENCE N°
		ØD	Ød	SH	L1		
GURI062100-250	GUR	0.625	1.000	0.250	0.312	R11224	
SURI062112-250	SUR	0.625	1.125	0.250	0.275	R00287	SU14
SURI068093-125	SUR	0.687	0.937	0.125	0.156	RF5160	
GURI068106-250	GUR	0.687	1.062	0.250	0.281	R89622	
GURI068106-281	GUR	0.687	1.062	0.281	0.334	RF5009	
GURI068112-219	GUR	0.687	1.125	0.219	0.281	RF5010	
SURI068118-250	SUR	0.687	1.187	0.250	0.275	R00288	SU15
DIUI068093-187	DIU	0.688	0.937	0.187	0.250	R53588	
SURI068100-156	SUR	0.688	1.000	0.156	0.187	R07651	
GURI075100-125	GUR	0.750	1.000	0.125	0.138	R15505	
SURI075100-125	SUR	0.750	1.000	0.125	0.156	RF5011	
DIUI075100-187	DIU	0.750	1.000	0.187	0.250	RF5267	
SURI075112-187	SUR	0.750	1.125	0.187	0.212	R00301	
SURI075118-250	SUR	0.750	1.187	0.250	0.315	RF5012	
GURI075125-250	GUR	0.750	1.250	0.250	0.275		
SURI075125-250	SUR	0.750	1.250	0.250	0.275	R00289	SU16
GURI075131-312	GUR	0.750	1.312	0.312	0.375	RF5013	
GURI075137-312	GUR	0.750	1.375	0.312	0.375	RF5014	
SURI075150-375	SUR	0.750	1.500	0.375	0.437	R07673	
SURI081106-125	SUR	0.812	1.062	0.125	0.156	RF5015	
DIUI081112-187	DIU	0.812	1.125	0.187	0.250	RF5268	
SURI081131-250	SUR	0.812	1.312	0.250	0.275	R00290	SU17
GURI081143-375	GUR	0.812	1.437	0.375	0.437	RF5016	
DIUI081156-353	DIU	0.812	1.562	0.353	0.406	RF5269	
GURI081112-156	GUR	0.818	1.120	0.156	0.187	R07655	
SURI087112-125	SUR	0.875	1.125	0.125	0.156	RF5017	
SURI087125-187	SUR	0.875	1.250	0.187	0.212	R07666	
DIUI087125-187	DIU	0.875	1.250	0.187	0.250	R51596	
SURI087137-250	SUR	0.875	1.375	0.250	0.275	R00291	SU18
GURI087150-312	GUR	0.875	1.500	0.312	0.375	RF5018	
SURI093118-125	SUR	0.937	1.187	0.125	0.156	RF5019	
SURI093125-156	SUR	0.937	1.250	0.156	0.188	RF5020	
SURI093143-250	SUR	0.937	1.437	0.250	0.275	R00292	SU19
DIUI093143-250	DIU	0.937	1.437	0.250	0.312	RF5270	
GURI093156-312	GUR	0.937	1.562	0.312	0.375	RF5021	
GURI093162-375	GUR	0.937	1.625	0.375	0.437	RF5022	
SURI100125-125	SUR	1.000	1.250	0.125	0.156	RF5023	
SURI100131-156	SUR	1.000	1.312	0.156	0.188	RF5024	
SURI100137-187	SUR	1.000	1.375	0.187	0.212	R07668	SU51
GURI100137-250	GUR	1.000	1.375	0.250	0.312	R07669	
SURI100150-250	SUR	1.000	1.500	0.250	0.275	R00293	SU20
DIUI100150-250	DIU	1.000	1.500	0.250	0.312	R51457	
GURI100168-375	GUR	1.000	1.687	0.375	0.438	RF5025	
GURI100175-375	GUR	1.000	1.750	0.375	0.438	RF5026	
SURI106131-156	SUR	1.062	1.312	0.156	0.187	R16667	



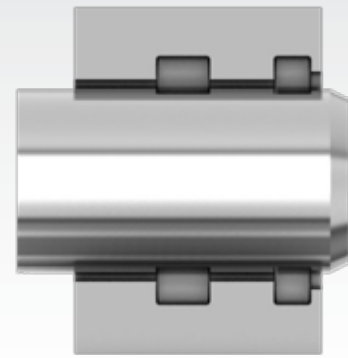
PART N°	PROFILE	HOUSING DIMENSIONS				REFERENCE	ALTERNATIVE REFERENCE N°
		ØD	Ød	SH	L1		
SURI106137-156	SUR	1.062	1.375	0.156	0.188	RF5027	
DIUI106143-250	DIU	1.062	1.437	0.250	0.312	RF5271	
SURI106156-250	SUR	1.062	1.562	0.250	0.275	R00294	SU21
GURI106181-375	GUR	1.062	1.812	0.375	0.438	RF5028	
SURI112137-125	SUR	1.125	1.375	0.125	0.156	RF5029	
SURI112150-187	SUR	1.125	1.500	0.187	0.212	R30591	
SURI112162-250	SUR	1.125	1.625	0.250	0.275	R00295	SU22
DIUI112162-312	DIU	1.125	1.625	0.312	0.375	RF5272	
GURI112162-312	GUR	1.125	1.625	0.312	0.375	R08605	
GURI112187-375	GUR	1.125	1.875	0.375	0.438	RF5030	
SURI118150-156	SUR	1.187	1.500	0.156	0.187	R86818	
RQ0069	DIU	1.187	1.500	0.250	0.312		
SURI118168-250	SUR	1.187	1.687	0.250	0.275	R00296	SU23
GURI118193-375	GUR	1.187	1.937	0.375	0.438	RF5031	
SURI125156-156	SUR	1.250	1.562	0.156	0.188	RF5032	
SURI125162-187	SUR	1.250	1.625	0.187	0.212	R30592	
SURI125175-250	SUR	1.250	1.750	0.250	0.275	R00297	SU24
DIUI125175-250	DIU	1.250	1.750	0.250	0.312	R53808	
SURI125187-312	SUR	1.250	1.875	0.312	0.343	R00298	SU25
GURI125200-375	GUR	1.250	2.000	0.375	0.438	RF5033	
DIUI131160-180	DIU	1.312	1.600	0.180	0.250	RF5273	
SURI131162-156	SUR	1.312	1.625	0.156	0.188	RF5034	
GURI131206-375	GUR	1.312	2.062	0.375	0.438	RF5035	
SURI137168-156	SUR	1.375	1.687	0.156	0.188	RF5036	
SURI137175-187	SUR	1.375	1.750	0.187	0.218	RF5037	
SURI137200-312	SUR	1.375	2.000	0.312	0.343	R00299	SU26
DIUI137200-312	DIU	1.375	2.000	0.312	0.375	R55839	
GURI137212-375	GUR	1.375	2.125	0.375	0.438	RF5038	
DIUI143200-312	DIU	1.437	2.000	0.312	0.375	RF5274	
GURI143225-312	GUR	1.437	2.250	0.312	0.375	RF5039	
SURI150181-156	SUR	1.500	1.812	0.156	0.188	RF5040	
SURI150187-187	SUR	1.500	1.875	0.187	0.218	RF5041	
DIUI150200-375	DIU	1.500	2.000	0.375	0.437	R15422	
SURI150212-312	SUR	1.500	2.125	0.312	0.343	R00300	SU27
GURI150218-250	GUR	1.500	2.187	0.250	0.313	RF5042	
DIUI156220-375	DIU	1.562	2.203	0.375	0.437	RF5275	
GURI156231-375	GUR	1.562	2.312	0.375	0.438	RF5043	
GURI156243-375	GUR	1.562	2.437	0.375	0.438	RF5044	
GURI162200-187	GUR	1.625	2.000	0.187	0.000		
SURI162200-187	SUR	1.625	2.000	0.187	0.218	RF5045	
DIUI162200-210	DIU	1.625	2.000	0.219	0.281	R89309	
SURI162225-312	SUR	1.625	2.250	0.312	0.343	R00397	SU28
GURI162237-375	GUR	1.625	2.375	0.375	0.438	RF5046	
DIUI168212-375	DIU	1.687	2.125	0.375	0.437	RF5276	
GURI168256-375	GUR	1.687	2.562	0.375	0.437	RF5047	



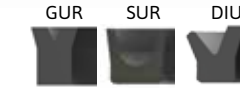
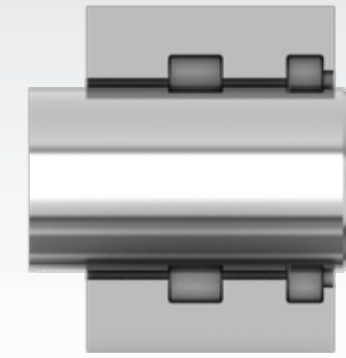
PART N°	PROFILE	HOUSING DIMENSIONS				REFERENCE	ALTERNATIVE REFERENCE N°
		ØD	Ød	SH	L1		
SURI175212-187	SUR	1.750	2.125	0.187	0.218	R07745	
SURI175225-285	SUR	1.750	2.250	0.285	0.313	RF5158	
DIUI175225-312	DIU	1.750	2.250	0.312	0.375	R15262	
GURI175225-312	GUR	1.750	2.250	0.312	0.375	R08610	
SURI175237-312	SUR	1.750	2.375	0.312	0.343	R00398	SU29
GURI175262-437	GUR	1.750	2.625	0.437	0.500	RF5048	
DIUI181237-375	DIU	1.812	2.375	0.375	0.437	RF5277	
GURI181268-375	GUR	1.812	2.687	0.375	0.437	RF5049	
SURI187225-187	SUR	1.875	2.250	0.187	0.218	RF5050	
SURI187250-187	SUR	1.875	2.500	0.187	0.212	R00400	
GURI187250-312	GUR	1.875	2.500	0.312	0.343	R50391	
SURI187250-312	SUR	1.875	2.500	0.312	0.343	R00399	SU30
SURI187250-312V	SUR	1.875	2.500	0.312	0.343	R00399-	
DIUI187250-375	DIU	1.875	2.500	0.375	0.437	R58487	
SURI193237-219	SUR	1.937	2.375	0.219	0.250	RF5051	
DIUI193262-375	DIU	1.937	2.625	0.375	0.437	RF5278	
GURI193275-375	GUR	1.937	2.750	0.375	0.438	RF5052	
SURI200237-187	SUR	2.000	2.375	0.187	0.218	RF5159	
GURI200237-198	GUR	2.000	2.375	0.198	0.250	R07749	
GURI200243-312	GUR	2.000	2.437	0.312	0.375	R07753	
SURI200262-312	SUR	2.000	2.625	0.312	0.343	R00453	SU31
GURI200287-375	GUR	2.000	2.875	0.375	0.437	RF5053	
DIUI200287-437	DIU	2.000	2.875	0.437	0.500	R56116	
GURI206281-375	GUR	2.062	2.812	0.375	0.438	RF5054	
SURI212250-187	SUR	2.125	2.500	0.187	0.218	RF5055	
SURI212275-312	SUR	2.125	2.750	0.312	0.343	R00454	SU32
DIUI212275-375	DIU	2.125	2.750	0.375	0.437	RF5279	
GURI212293-375	GUR	2.125	2.937	0.375	0.438	RF5056	
GURI218300-375	GUR	2.187	3.000	0.375	0.438	RF5057	
SURI225262-187	SUR	2.250	2.625	0.187	0.218	RF5058	
DIUI225275-312	DIU	2.250	2.750	0.312	0.375	RF5280	
SURI225287-312	SUR	2.250	2.875	0.312	0.343	R00455	SU33
SURI225300-375	SUR	2.250	3.000	0.375	0.406	RF5059	
GURI225300-375	GUR	2.250	3.000	0.375	0.438	RF5060	
SURI237275-187	SUR	2.375	2.750	0.187	0.218	RF5061	
SURI237300-312	SUR	2.375	3.000	0.312	0.343	R00456	SU34
DIUI237300-312	DIU	2.375	3.000	0.312	0.375	RF5281	
GURI237312-375	GUR	2.375	3.125	0.375	0.438	RF5062	
GURI237337-500	GUR	2.375	3.375	0.500	0.562	RF5063	
SURI250287-187	SUR	2.500	2.875	0.187	0.218	RF5064	
SURI250293-218	SUR	2.500	2.937	0.218	0.250	RF5065	
DIUI250300-375	DIU	2.500	3.000	0.312	0.375	R55676	
SURI250312-312	SUR	2.500	3.125	0.312	0.343	R00457	SU35
GURI250325-375	GUR	2.500	3.250	0.375	0.400		
SURI250325-375	SUR	2.500	3.250	0.375	0.400	R00458	SU36



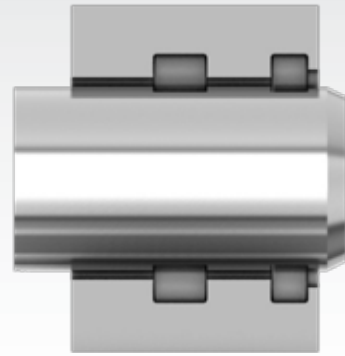
PART N°	PROFILE	HOUSING DIMENSIONS				REFERENCE	ALTERNATIVE REFERENCE N°
		ØD	Ød	SH	L1		
SURI256300-218	SUR	2.562	3.000	0.218	0.250	RF5066	
SURI262300-187	SUR	2.625	3.000	0.187	0.218	R07776	
DIUI262312-375	DIU	2.625	3.125	0.375	0.437	RF5282	
GURI262325-312	GUR	2.625	3.250	0.312	0.375	RF5067	
SURI262337-375	SUR	2.625	3.375	0.375	0.400	R00459	SU37
SURI275312-187	SUR	2.750	3.125	0.187	0.218	RF5068	
SURI275318-218	SUR	2.750	3.187	0.218	0.250	RF5069	
SURI275325-250	SUR	2.750	3.250	0.250	0.281	R07778	
SURI275350-375	SUR	2.750	3.500	0.375	0.400	R00460	SU38
DIUI275354-375	DIU	2.750	3.547	0.375	0.437	RF5283	
GURI275375-375	GUR	2.750	3.750	0.375	0.438	RF5070	
SURI281325-218	SUR	2.812	3.250	0.218	0.250	RF5071	
DIUI287325-312	DIU	2.875	3.250	0.312	0.375	R54761	
SURI287350-312	SUR	2.875	3.500	0.312	0.344	R08690	
GURI287350-312	GUR	2.875	3.500	0.312	0.375	RF5072	
SURI287362-375	SUR	2.875	3.625	0.375	0.400	R00461	SU39
SURI300337-187	SUR	3.000	3.375	0.187	0.218	RF5073	
SURI300343-218	SUR	3.000	3.437	0.218	0.250	RF5074	
DIUI300350-375	DIU	3.000	3.500	0.375	0.437	R58488	
GURI300362-312	GUR	3.000	3.625	0.312	0.375	RF5075	
SURI300375-375	SUR	3.000	3.750	0.375	0.400	R00462	SU40
GURI300387-375	GUR	3.000	3.875	0.375	0.437	RF5076	
SURI306350-218	SUR	3.062	3.500	0.218	0.250	RF5077	
GURI306400-500	GUR	3.062	4.000	0.500	0.563	RF5078	
GURI312387-375	GUR	3.125	3.875	0.375	0.400	R07788	
DIUI312387-437	DIU	3.125	3.875	0.437	0.500	RF5284	
DIUI325375-312	DIU	3.250	3.750	0.312	0.375	RF5285	
GURI325400-375	GUR	3.250	4.000	0.375	0.400	R55491	
SURI325400-375	SUR	3.250	4.000	0.375	0.400	R07793	
GURI331412-438	GUR	3.312	4.125	0.438	0.500	RF5079	
SURI337387-250	SUR	3.375	3.875	0.250	0.281	RF5161	
DIUI337387-375	DIU	3.375	3.875	0.375	0.437	RF5286	
GURI337412-375	GUR	3.375	4.125	0.375	0.438	RF5080	
SURI350400-250	SUR	3.500	4.000	0.250	0.281	RF5081	
DIUI350400-375	DIU	3.500	4.000	0.375	0.437	R55677	
SURI350425-375	SUR	3.500	4.250	0.375	0.406	R07796	
GURI350425-375	GUR	3.500	4.250	0.375	0.438	RF5082	
DIUI362418-318	DIU	3.625	4.187	0.318	0.375	RF5287	
GURI362437-375	GUR	3.625	4.375	0.375	0.437	R07798	
SURI375425-250	SUR	3.750	4.250	0.250	0.281	RF5083	
DIUI375437-375	DIU	3.750	4.375	0.375	0.437	R51769	
GURI375450-375	GUR	3.750	4.500	0.375	0.400	R07799	
SURI375450-375	SUR	3.750	4.500	0.375	0.400	R07801	
DIUI387425-375	DIU	3.875	4.250	0.375	0.437	RF5288	
GURI387462-375	GUR	3.875	4.625	0.375	0.438	RF5084	



PART N°	PROFILE	HOUSING DIMENSIONS				REFERENCE	ALTERNATIVE REFERENCE N°
		ØD	Ød	SH	L1		
DIUI400437-225	DIU	4.000	4.375	0.225	0.281	RF5289	
SURI400450-250	SUR	4.000	4.500	0.250	0.281	R07800	
GURI400475-375	GUR	4.000	4.750	0.375	0.438	RF5085	
GURI412475-375	GUR	4.125	4.750	0.375	0.438	RF5086	
SURI425475-250	SUR	4.250	4.750	0.250	0.281	RF5087	
GURI425487-312	GUR	4.250	4.875	0.312	0.375	R56217	
SURI425500-344	SUR	4.250	5.000	0.344	0.375	R07812	
SURI425500-375	SUR	4.250	5.000	0.375	0.400	RF5088	
DIUI425500-375	DIU	4.250	5.000	0.375	0.437	RF5290	
GURI437500-312	GUR	4.375	5.000	0.312	0.375	RF5090	
GURI437512-375	GUR	4.375	5.125	0.375	0.438	RF5091	
SURI443500-281	SUR	4.437	5.000	0.281	0.312	RF5092	
GURI443506-375	GUR	4.437	5.062	0.375	0.413	R07813	
SURI450500-250	SUR	4.500	5.000	0.250	0.275	R64066	
GURI450525-375	GUR	4.500	5.250	0.375	0.438	RF5093	
GURI450537-375	GUR	4.500	5.375	0.375	0.437	RF5094	
DIUI450575-562	DIU	4.500	5.750	0.500	0.562	R55678	
GURI462550-375	GUR	4.625	5.500	0.375	0.437	RF5095	
SURI475525-250	SUR	4.750	5.250	0.250	0.281	RF5096	
DIUI475537-281	DIU	4.750	5.375	0.281	0.344	RF5291	
GURI475550-375	GUR	4.750	5.500	0.375	0.438	RF5097	
GURI487562-375	GUR	4.875	5.625	0.375	0.438	RF5098	
SURI500556-281	SUR	5.000	5.562	0.281	0.312	RF5099	
GURI500562-312	GUR	5.000	5.625	0.312	0.375	RF5100	
GURI500575-375	GUR	5.000	5.750	0.375	0.438	RF5101	
DIUI500575-500	DIU	5.000	5.750	0.500	0.562	RF5292	
GURI500600-500	GUR	5.000	6.000	0.500	0.563	RF5102	
SURI512575-312	SUR	5.125	5.750	0.312	0.344	RF5103	
GURI512587-375	GUR	5.125	5.875	0.375	0.438	RF5104	
SURI512600-437	SUR	5.125	6.000	0.436	0.500	R86819	
SURI525600-375	SUR	5.250	6.000	0.375	0.406	R07825	
DIUI525600-500	DIU	5.250	6.000	0.500	0.562	RF5293	
GURI525625-500	GUR	5.250	6.250	0.500	0.563	RF5105	
SURI537600-280	SUR	5.375	6.000	0.281	0.312	R07828	
SURI537600-312	SUR	5.375	6.000	0.312	0.344	RF5106	
GURI537612-375	GUR	5.375	6.125	0.375	0.438	RF5107	
SURI543600-281	SUR	5.437	6.000	0.281	0.312	RF5108	
SURI550612-312	SUR	5.500	6.125	0.312	0.344	RF5109	
DIUI550620-281	DIU	5.500	6.200	0.281	0.344	RF5294	
GURI550650-500	GUR	5.500	6.500	0.500	0.562	RF5110	
DIUI575650-500	DIU	5.750	6.500	0.500	0.562	RF5295	
GURI575700-500	GUR	5.750	7.000	0.500	0.563	RF5111	
SURI593650-281	SUR	5.937	6.500	0.281	0.312	RF5112	
SURI600662-312	SUR	6.000	6.625	0.312	0.344	RF5113	
DIUI600675-375	DIU	6.000	6.750	0.375	0.437	RF5296	



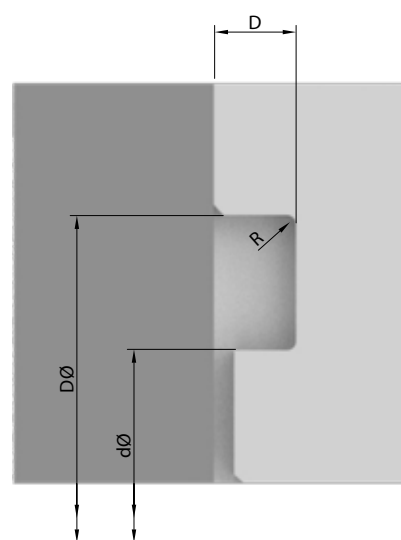
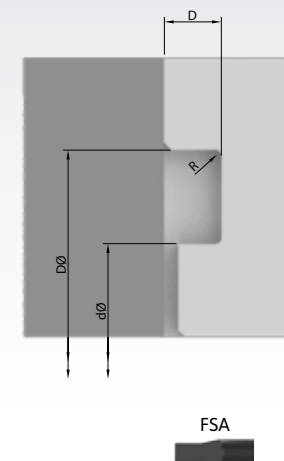
PART N°	PROFILE	HOUSING DIMENSIONS				REFERENCE	ALTERNATIVE REFERENCE N°
		ØD	Ød	SH	L1		
GURI600675-375	GUR	6.000	6.750	0.375	0.437	R07830	
GURI600725-500	GUR	6.000	7.250	0.500	0.562	RF5114	
SURI612700-375	SUR	6.125	7.000	0.375	0.400	RF5115	
SURI625700-500	SUR	6.250	7.000	0.500	0.531	R07831	
DIUI625700-500	DIU	6.250	7.000	0.500	0.562	RF5297	
GURI625750-625	GUR	6.250	7.500	0.625	0.688	RF5116	
SURI637700-312	SUR	6.375	7.000	0.312	0.344	RF5117	
DIUI650725-500	DIU	6.500	7.250	0.500	0.562	RF5298	
GURI650800-750	GUR	6.500	8.000	0.750	0.813	RF5118	
GURI675825-750	GUR	6.750	8.250	0.750	0.812	RF5120	
GURI675850-750	GUR	6.750	8.500	0.750	0.813	RF5121	
DIUI700750-281	DIU	7.000	7.500	0.281	0.344	RF5300	
GURI700775-625	GUR	7.000	7.750	0.625	0.688	RF5122	
GURI700800-500	GUR	7.000	8.000	0.500	0.550	R30223	
SURI700800-500	SUR	7.000	8.000	0.500	0.550	RF5123	
DIUI725800-375	DIU	7.250	8.000	0.375	0.437	RF5301	
GURI725800-437	GUR	7.250	8.000	0.437	0.500	R07883	
GURI725875-750	GUR	7.250	8.750	0.750	0.813	RF5124	
SURI737800-312	SUR	7.375	8.000	0.312	0.344	R07884	
DIUI750775-500	DIU	7.500	7.750	0.500	0.562	RF5299	
SURI750825-375	SUR	7.500	8.250	0.375	0.400	RF5125	
DIUI750825-500	DIU	7.500	8.250	0.500	0.562	RF5302	
GURI750900-750	GUR	7.500	9.000	0.750	0.813	RF5126	
DIUI775850-500	DIU	7.750	8.500	0.500	0.562	RF5303	
GURI775925-750	GUR	7.750	9.250	0.750	0.813	RF5127	
DIUI800875-500	DIU	8.000	8.750	0.500	0.562	RF5304	
GURI800975-750	GUR	8.000	9.750	0.750	0.813	RF5129	
DIUI825900-500	DIU	8.250	9.000	0.500	0.562	RF5305	
GURI825950-625	GUR	8.250	9.500	0.625	0.688	RF5130	
DIUI850925-500	DIU	8.500	9.250	0.500	0.562	RF5306	
GURI8501000-750	GUR	8.500	10.000	0.750	0.813	RF5131	
DIUI875950-375	DIU	8.750	9.500	0.375	0.437	RF5307	
DIUI900975-500	DIU	9.000	9.750	0.500	0.562	RF5308	
SURI9001000-500	SUR	9.000	10.000	0.500	0.562	R07893	
GURI9001050-875	GUR	9.000	10.500	0.875	0.938	RF5132	
SURI9251000-375	SUR	9.250	10.000	0.375	0.406	R07894	
SURI9311000-344	SUR	9.312	10.000	0.344	0.375	RF5133	
GURI9501100-875	GUR	9.500	11.000	0.875	0.938	RF5134	
GURI10001150-875	GUR	10.000	11.500	0.875	0.938	RF5135	
SURI10001200-500	SUR	10.000	12.000	0.500	0.550	RF5137	
GURI10501200-875	GUR	10.500	12.000	0.875	0.938	RF5136	
GURI11001250-875	GUR	11.000	12.500	0.875	0.938	RF5138	
GURI11501300-875	GUR	11.500	13.000	0.875	0.938	RF5139	
GURI12001350-875	GUR	12.000	13.500	0.875	0.938	RF5140	
GURI12501400-875	GUR	12.500	14.000	0.875	0.938	RF5141	



PART N°	PROFILE	HOUSING DIMENSIONS				REFERENCE	ALTERNATIVE REFERENCE N°
		ØD	Ød	SH	L1		
SURI13001400-500	SUR	13.000	14.000	0.500	0.550	RF5142	
GURI13001450-875	GUR	13.000	14.500	0.875	0.938	RF5144	
SURI13181400-406	SUR	13.187	14.000	0.406	0.438	RF5145	
GURI13251500-875	GUR	13.250	15.000	0.875	0.938	RF5146	
GURI13501525-875	GUR	13.500	15.250	0.875	0.938	RF5147	
GURI14001550-875	GUR	14.000	15.500	0.875	0.938	RF5148	
GURI14501600-875	GUR	14.500	16.000	0.875	0.938	RF5149	
GURI15001650-875	GUR	15.000	16.500	0.875	0.938	RF5150	
GURI15501700-875	GUR	15.500	17.000	0.875	0.938	RF5151	
GURI16001750-875	GUR	16.000	17.500	0.875	0.938	RF5152	
GURI16501800-875	GUR	16.500	18.000	0.875	0.938	RF5153	
GURI17001850-875	GUR	17.000	18.500	0.875	0.938	RF5154	
GURI17501900-875	GUR	17.500	19.000	0.875	0.938	RF5155	
GURI18001950-875	GUR	18.000	19.500	0.875	0.938	RF5156	
GURI18502000-750	GUR	18.500	20.000	0.750	0.813	RF5157	



FLANGES



TECHNICAL SPECIFICATIONS

SPECIFIED TOLERANCES		
ØD	Ød	L1
Js11	h9	+0.2 (+ 0.008) +0.4 (+ 0.016)

MAXIMUM OPERATING CONDITIONS		
Temp °C	Pressure	Speed
- 30° to +100° C	420 bar (6000 psi)	0.5 m/sec (1.5 ft/sec)

SURFACE FINISH	
DYNAMIC SEALING SURFACE	0.1 to 0.4 µm Ra
STATIC SEALING SURFACE	0.8 to 1.6 µm Ra
STATIC HOUSING FACE	1.4 to 3.2 µm Ra

RADII AND CHAMFER						
ØD mm	50	75	150	10.00	12.50	15.00
R mm	1.58	2.36	3.17	0.80	1.20	1.60
ØD inches	2.000	3.000	6.000	0.312	0.375	0.500
R inches	0.062	0.093	0.125	0.032	0.048	0.062

DESIGN

- Designed for static sealing the faces of flanges
- High abrasion resistance
- High resistance to extrusion and pumping effect

MATERIAL

- Low compression set and high modulus polyurethane material

APPLICATION

- SAE flange seal
- Fits Code 61 / Code 62 flanges
- Replaces o-rings in heavy duty applications

FLUIDS

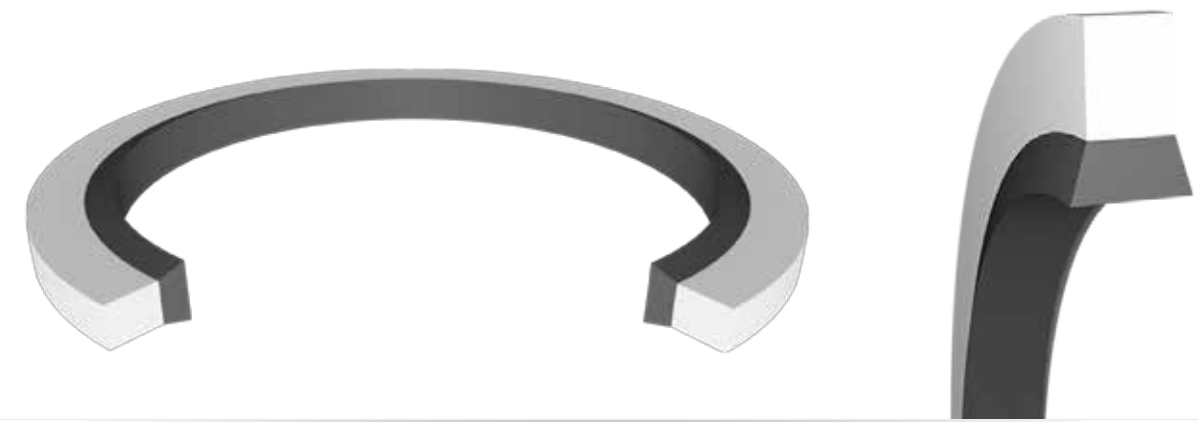
- Hydraulic fluids & petroleum fuels & oils

PART NO	PROFILE	HOUSING DIMENSIONS				SAE REF	REFERENCE
		Ød	ØD	D	W		
FSA0500	FSA	0.670	1.000	0.110	0.165	0.500" SAE	FSAI - 0500
FSA0750	FSA	0.920	1.250	0.110	0.165	0.750" SAE	FSAI - 0750
FSA1000	FSA	1.230	1.560	0.110	0.165	1.000" SAE	FSAI - 1000
FSA1250	FSA	1.420	1.750	0.110	0.165	1.250" SAE	FSAI - 1250
FSA1500	FSA	1.785	2.125	0.110	0.165	1.500" SAE	FSAI - 1500
FSA2000	FSA	2.160	2.500	0.110	0.165	2.000" SAE	FSAI - 2000



BONDED WASHERS

BONDED WASHERS PROFILE



DESIGN

- Designed for static sealing
- High resistance to extrusion

MATERIAL

- Low compression set rubber bonded to a mild steel ring.
- Available in other rubber materials as well as different metals.

APPLICATION

- Extensively used in pipe fittings

FLUIDS

- Hydraulic fluids & petroleum fuels & oils

TECHNICAL SPECIFICATIONS

SURFACE FINISH	
DYNAMIC SEALING SURFACE	0.8 µm Ra
STATIC SEALING SURFACE, FACE	3.0 µm Ra max

MAXIMUM OPERATING CONDITIONS	
Temp °C	
	- 40° to + 110° C

STANDARD NON SELF-CENTERING

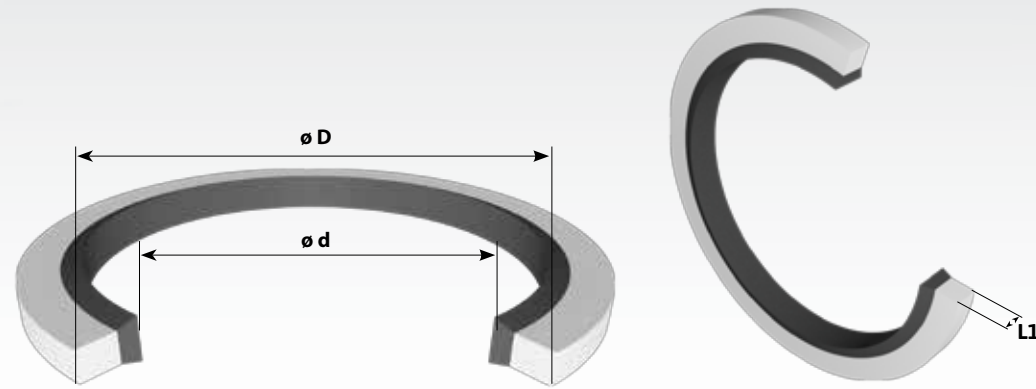
SELF-CENTERING



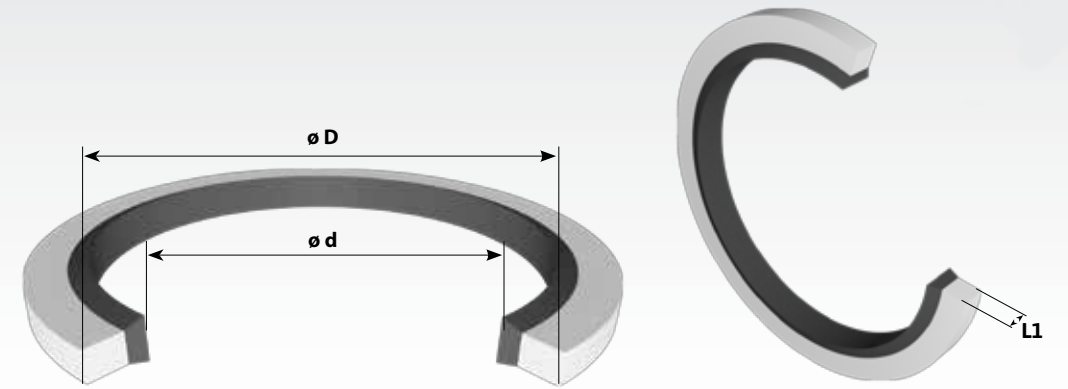
TABLE KEY			
*	STYLE	METAL	ELASTOMER
SC	SELF CENTERING	M.S	NBR
ST	STANDARD NON SELF CENTERING	M.S	NBR
S	STANDARD NON SELF CENTERING	STAINLESS STEEL	NBR
V	STANDARD NON SELF CENTERING	M.S	VITON

BONDED WASHERS - METRIC & IMPERIAL

BONDED WASHERS - METRIC & IMPERIAL



BDW



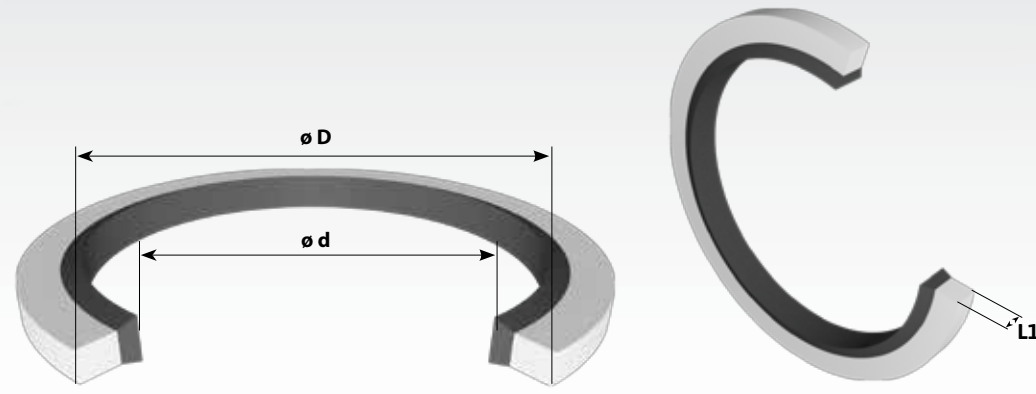
BDW

PART N ^o	IMPERIAL DIMENSIONS			METRIC DIMENSIONS			BURST PR.	SIZE				REF N ^o	ALT REF
	± 0.004	+0.005 - 0.000	± 0.006	+ 0.20 - 0.00	+0.00 - 0.20	±0.15		BAR	BSP	BSPF	BOLT		
BDWI-001*	0.120	0.250	0.480	3.05	6.35	1.22	2150			6BA	45-1	001	
BDWM-301*	0.142	0.295	0.039	3.60	7.50	1.00	1950			3 mm	FM3	301	
BDWM-201*	0.161	0.283	0.039	4.10	7.20	1.00	1600			3.5 mm	M3.5	201	
BDWI-002*	0.162	0.286	0.480	4.12	7.26	1.22	1570			4BA	45-2	002	
BDWM-202*	0.177	0.276	0.039	4.50	7.00	1.00	1250			4 mm	M4	202	
BDWM-302*	0.181	0.354	0.039	4.60	9.00	1.00	2000			4 mm	FM4	302	
BDWI-003*	0.205	0.330	0.480	5.21	8.38	1.22	1375			2BA	45-3	003	
BDWM-203*	0.220	0.394	0.039	5.60	10.00	1.00	1780			5 mm	FM5	303	
BDWM-303*	0.224	0.354	0.039	5.70	9.00	1.00	1400			5 mm	M5	203	
BDWM-204*	0.224	0.394	0.039	5.70	10.00	1.00	1500			5 mm	M5	204	
BDWM-3099*	0.236	0.394	0.039	6.00	10.00	1.00	1130			6 mm	M6	3099	
BDWM-205*	0.244	0.362	0.039	6.20	9.20	1.00	1220			5.5 mm	M5.5	205	
BDWM-304*	0.260	0.433	0.039	6.60	11.00	1.00	1680			6 mm	FM6	304	
BDWM-206*	0.264	0.394	0.039	6.70	10.00	1.00	1130			6 mm	M6	206	
BDWM-207*	0.264	0.433	0.039	6.70	11.00	1.00	1510			6 mm	M6	207	
BDWI-004*	0.270	0.520	0.480	6.86	13.21	1.22	2450			1/4	45-4	004	
BDWI-005*	0.275	0.525	0.480	6.99	13.34	1.22	1700			1/4	45-5	005	
BDWM-306*	0.276	0.449	0.039	7.00	11.40	1.00	1540			6 mm	FM6	306	
BDWM-3138*	0.315	0.551	0.039	8.00	14.00	1.00	1200			8 mm	M8	3138	
BDWI-519*	0.327	0.500	0.049	8.30	12.70	1.25	1100		1/16 BSPF			519	
BDWI-006*	0.327	0.525	0.480	8.31	13.34	1.22	1700			5/16	45-6	006	
BDWM-307*	0.339	0.512	0.039	8.60	13.00	1.00	1330			8 mm	FM8	307	
BDWI-007*	0.340	0.560	0.480	8.64	14.22	1.22	1750			5/16	45-7	007	
BDWM-212*	0.343	0.512	0.039	8.70	13.00	1.00	1330			8 mm	M8	212	
BDWM-213*	0.343	0.551	0.039	8.70	14.00	1.00	1550			8 mm	M8	213	
BDWM-215*	0.366	0.524	0.039	9.30	13.30	1.00	1200			8.5 mm	M8.5	215	
BDWM-3076*	0.394	0.669	0.059	10.00	17.00	1.50	1250			10 mm	M10	3076	
BDWM-216*	0.407	0.625	0.079	10.35	15.88	2.00	1450			10 mm	M10	216	
BDWI-020*	0.408	0.625	0.080	10.37	15.88	2.03	1500	1/8 BSP		3/8	45-A	020	
BDWI-510*	0.409	0.579	0.050	10.40	14.70	1.26	930		1/8 BSPF			510	
BDWI-501*	0.409	0.638	0.049	10.40	16.20	1.25	930		1/8 BSPF			501	
BDWM-217*	0.421	0.630	0.059	10.70	16.00	1.50	1350			10 mm	M10	217	
BDWM-310*	0.421	0.669	0.059	10.70	17.00	1.50	1730			10 mm	FM10	310	
BDWM-218*	0.421	0.709	0.059	10.70	18.00	1.50	1880			10 mm	M10	218	
BDWI-008*	0.443	0.723	0.080	11.26	18.36	2.03	1950			0.4"	45-8	008	
BDWM-219*	0.449	0.642	0.059	11.40	16.30	1.50	1250			11 mm	M11	219	
BDWI-009*	0.460	0.750	0.080	11.69	19.05	2.03	1900			7/16	45-9	009	
BDWM-312*	0.465	0.713	0.059	11.80	18.10	1.50	1600			11 mm	FM11	312	
BDWM-221*	0.465	0.752	0.059	11.80	19.10	1.50	1770			11 mm	M11	221	
BDWM-3077*	0.472	0.748	0.059	12.00	19.00	1.50	1250			12 mm	M12	3077	
BDWM-222*	0.500	0.709	0.059	12.70	18.00	1.50	1250			12 mm	M12	222	
BDWM-313*	0.500	0.748	0.059	12.70	19.00	1.50	1530			12 mm	FM12	313	

PART N ^o	IMPERIAL DIMENSIONS			METRIC DIMENSIONS			BURST PR.	SIZE				REF N ^o	ALT REF
	± 0.004	+0.005 - 0.000	± 0.006	+ 0.20 - 0.00	+0.00 - 0.20	±0.15		BAR	BSP	BSPF	BOLT		
BDWM-223*	0.500	0.787	0.059	12.70	20.00	1.50	1680			12 mm	M12	223	
BDWM-225*	0.539	0.866	0.059	13.70	22.00	1.50	1810			13 mm	M13	225	
BDWI-021*	0.541	0.810	0.080	13.74	20.57	2.03	1550	1/4 BSP		1/2	45-B	021	
BDWM-315*	0.543	0.791	0.059	13.80	20.10	1.50	1440			13 mm	FM13	315	
BDWI-511*	0.545	0.736	0.050	13.85	18.70	1.27	790		1/4 BSPF			511	
BDWI-502*	0.545	0.795	0.050	13.85	20.20	1.26	790		1/4 BSPF			502	
BDWM-226*	0.551	0.736	0.059	14.00	18.70	1.50	900			13 mm	M13.5	226	
BDWM-3063*	0.551	0.866	0.059	14.00	22.00	1.50	1100			14 mm	M14	3063	
BDWM-316*	0.579	0.827	0.059	14.70	21.00	1.50	1370			14 mm	FM14	316	
BDWM-227*	0.579	0.866	0.059	14.70	22.00	1.50	1510			14 mm	M14	227	
BDWI-010*	0.585	0.875	0.080	14.86	22.23	2.03	1575			9/16	45-10	010	
BDWI-022*	0.623	0.875	0.080	15.83	22.23	2.03	1310			0.6	45-BB	022	
BDWM-3078*	0.630	0.945	0.059	16.00	24.00	1.50	1050			16 mm	M16	3078	
BDWI-011*	0.650	1.000	0.080	16.51	25.40	2.03	1550			5/8	45-11	011	
BDWM-317*	0.657	0.906	0.059	16.70	23.00	1.50	1240			16 mm	FM16	317	
BDWM-229*	0.657	0.945	0.059	16.70	24.00	1.50	1400			16 mm	M16	229	
BDWI-023*	0.680	0.937	0.080	17.28	23.80	2.03	1260	3/8 BSP			45-C	023	
BDWI-512*	0.683	0.894	0.050	17.35	22.70	1.28	775		3/8 BSPF			512	
BDWI-503*	0.683	0.953	0.050	17.35	24.20	1.27	775		3/8 BSPF			503	
BDWM-318*	0.685	0.933	0.059	17.40	23.70	1.50	1200			17 mm	FM17	318	
BDWM-230*	0.685	0.945	0.059	17.40	24.00	1.50	1150			17 mm	M17	230	
BDWM-231*	0.709	0.972	0.059	18.00	24.70	1.50	1070			17.5 mm	M17.5	231	
BDWM-3064*	0.709	1.063	0.079	18.00	27.00	2.00	1100			18 mm	M18	3064	
BDWI-012*	0.715	1.000	0.098	18.16	25.40	2.49	1320			11/16	45-12	012	
BDWM-232*	0.736	1.024	0.059	18.70	26.00	1.50	1275			18 mm	M18	232	
BDWM-320*	0.736	1.063	0.079	18.70	27.00	2.00	1450			18 mm	FM18	320	
BDWI-024*	0.775	1.060	0.098	19.69	26.92	2.49	1260			3/4	45-CC	024	
BDWM-3079*	0.787	1.181	0.079	20.00	30.00	2.00	1050			20 mm	M20	3079	
BDWM-233*	0.815	1.102	0.059	20.70	28.00	1.50	1150			20 mm	M20	233	
BDWM-321*	0.815	1.142	0.079	20.70	29.00	2.00	1340			20 mm	FM20	321	
BDWM-234*	0.846	1.130	0.098	21.50	28.70	2.50	1080			21 mm	M21	234	
BDWI-025*	0.848	1.125	0.098	21.54	28.58	2.49	1150	1/2 BSP		13/16	45-D	025	
BDWI-513*	0.852	1.051	0.051	21.65	26.70	1.29	580		1/2 BSPF			513	
BDWI-504*	0.852	1.150	0.050	21.65	29.20	1.28	580		1/2 BSPF			504	
BDWM-323*	0.854	1.181	0.079	21.70	30.00	2.00	1290			21 mm	FM21	323	
BDWM-3098*	0.866	1.260	0.079	22.00	32.00	2.00	1000			22 mm	M22	3098	
BDWM-236*	0.894	1.181	0.079	22.70	30.00	2.00	1100			22 mm	M22	236	
BDWM-324*	0.894	1.220	0.079	22.70	31.00	2.00	1240			22 mm	FM22	324	
BDWI-026*	0.925	1.250	0.098	23.49	31.75	2.49	1250		5/8 BSP		45-E	026	
BDWM-325*	0.933	1.260	0.079	23.70	32.00	2.00	960			23 mm	FM23	325	
BDWM-3080*	0.945	1.417	0.079	24.00	36.00	2.00	1130			24 mm	M24	3080	
BDWI-013*	0.955	1.310	0.098	24.26	33.27	2.49	1275			15/16	45-13	013	

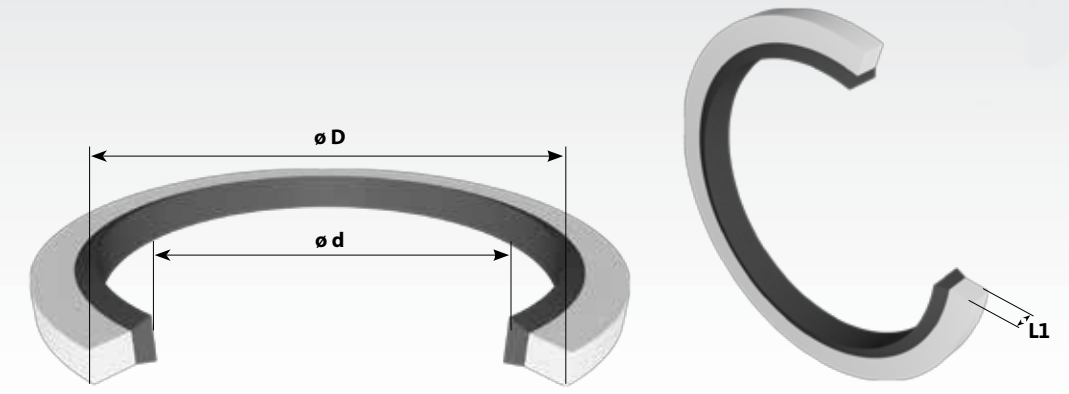
BONDED WASHERS - METRIC & IMPERIAL

BONDED WASHERS - METRIC & IMPERIAL



BDW

PART N ^o	IMPERIAL DIMENSIONS			METRIC DIMENSIONS			BURST PR.	SIZE				REF N ^o	ALT REF
	± 0.004	+0.005 -0.000	± 0.006	+ 0.20 - 0.00	+0.00 - 0.20	±0.15		BAR	BSP	BSPF	BOLT		
BDWM-238*	0.972	1.260	0.079	24.70	32.00	2.00	1050			24 mm	M24	238	
BDWM-326*	0.972	1.299	0.079	24.70	33.00	2.00	1160			24 mm	FM24	326	
BDWM-3065*	1.024	1.378	0.079	26.00	35.00	2.00	850			26 mm	M26	3065	
BDWM-239*	1.051	1.378	0.079	26.70	35.00	2.00	1050			26 mm	M26	239	
BDWM-327*	1.063	1.390	0.079	27.00	35.30	2.00	870			26 mm	FM26	327	
BDWI-027*	1.065	1.375	0.098	27.05	34.93	2.49	1060	3/4 BSP		1	45-F	027	
BDWM-240*	1.071	1.417	0.079	27.20	36.00	2.00	1130			27 mm	M27	240	
BDWI-514*	1.075	1.280	0.051	27.30	32.50	1.30	500		3/4 BSPF			514	
BDWI-505*	1.075	1.378	0.051	27.30	35.00	1.29	500		3/4 BSPF			505	
BDWM-328*	1.091	1.417	0.079	27.70	36.00	2.00	1060			27 mm	FM27	328	
BDWI-028*	1.095	1.520	0.098	27.82	38.61	2.49	1250			1.1/16	45-FF	028	
BDWM-329*	1.126	1.417	0.079	28.60	36.00	2.00	730			28 mm	FM28	329	
BDWM-241*	1.130	1.457	0.079	28.70	37.00	2.00	860			28 mm	M28	241	
BDWI-014*	1.155	1.440	0.098	29.33	36.58	2.49	900			1.1/8	45-14	014	
BDWM-331*	1.209	1.535	0.079	30.70	39.00	2.00	970			30 mm	FM30	331	
BDWI-029*	1.213	1.500	0.098	30.81	38.10	2.49	900	7/8 BSP		1.3/16	45-G	029	
BDWM-242*	1.220	1.535	0.079	31.00	39.00	2.00	860			30 mm	M30	242	
BDWI-015*	1.285	1.630	0.133	32.64	41.40	3.38	800			1.1/4	45-15	015	
BDWM-243*	1.327	1.654	0.079	33.70	42.00	2.00	900			33 mm	M33	243	
BDWM-332*	1.327	1.654	0.079	33.70	42.00	2.00	900			33 mm	FM33	332	
BDWI-031*	1.334	1.685	0.098	33.89	42.80	2.49	810	1 BSP		1.5/16	45-HH	031	
BDWI-030*	1.334	1.685	0.133	33.89	42.80	3.38	810	1 BSP		1.5/16	45-H	030	
BDWI-515*	1.346	1.555	0.079	34.20	39.50	2.00	410		1 BSPF			515	
BDWI-506*	1.346	1.693	0.079	34.20	43.00	2.00	410		1 BSPF			506	
BDWM-244*	1.350	1.811	0.079	34.30	46.00	2.00	880			33 mm	M33	244	
BDWI-016*	1.415	1.750	0.133	35.94	44.45	3.38	700			1.3/8	45-16	016	
BDWM-245*	1.445	1.811	0.079	36.70	46.00	2.00	880			36 mm	M36	245	
BDWM-333*	1.457	1.890	0.098	37.00	48.00	2.50	1010			36 mm	FM36	333	
BDWI-017*	1.534	1.880	0.133	38.96	47.75	3.38	700			1.1/2	45-17	017	
BDWM-246*	1.575	2.008	0.098	40.00	51.00	2.50	1020			39 mm	M39	246	
BDWM-334*	1.575	2.008	0.098	40.00	51.00	2.50	950			39 mm	FM39	334	
BDWM-247*	1.681	2.087	0.118	42.70	53.00	3.00	940			42 mm	M42	247	
BDWI-516*	1.685	1.949	0.083	42.80	49.50	2.10	500		1.1/4 BSPF			516	
BDWI-507*	1.685	2.087	0.083	42.80	53.00	2.10	500		1.1/4 BSPF			507	
BDWI-032*	1.690	2.062	0.133	42.93	52.38	3.38	690	1.1/4 BSP		1.5/8	45-J	032	
BDWM-335*	1.693	2.126	0.098	43.00	54.00	2.50	890			42 mm	FM42	335	
BDWI-018*	1.785	2.250	0.133	45.34	57.15	3.38	875			1.3/4	45-18	018	
BDWM-336*	1.811	2.244	0.098	46.00	57.00	2.50	860			45 mm	FM45	336	
BDWI-033*	1.907	2.307	0.133	48.44	58.60	3.38	690	1.1/2 BSP		1.7/8	45-K	033	
BDWI-517*	1.917	2.185	0.087	48.70	55.50	2.20	430		1.1/2 BSPF			517	
BDWI-508*	1.917	2.323	0.087	48.70	59.00	2.20	430		1.1/2 BSPF			508	
BDWM-248*	1.917	2.323	0.118	48.70	59.00	3.00	800			48 mm	M48	248	



BDW

PART N ^o	IMPERIAL DIMENSIONS			METRIC DIMENSIONS			BURST PR.	SIZE				REF N ^o	ALT REF
	± 0.004	+0.005 -0.000	± 0.006	+ 0.20 - 0.00	+0.00 - 0.20	±0.15		BAR	BSP	BSPF	BOLT		
BDWM-337*	1.929	2.362	0.098	49.00	60.00	2.50	790			48 mm	FM48	337	
BDWI-019*	2.035	2.500	0.133	51.69	63.50	3.38	780			2	45-19	019	
BDWI-034*	2.161	2.750	0.133	54.89	69.85	3.38	950	1.3/4 BSP		2.1/8	45-L	034	
BDWI-518*	2.382	2.697	0.091	60.50	68.50	2.30	445		2 BSPF			518	
BDWI-509*	2.382	2.874	0.091	60.50	73.00	2.30	445		2 BSPF			509	
BDWI-036*	2.385	2.875	0.133	60.58	73.03	3.38	700	2 BSP			45-M	036	
BDWI-037*	2.535	3.060	0.133	64.39	77.72	3.38	750			2.1/2	45-MM	037	
BDWI-038*	2.625	3.130	0.133	66.68	79.50	3.38	670	2.1/4 BSP			45-N	038	
BDWI-039*	2.995	3.550	0.133	76.08	90.17	3.38	680	2.1/2 BSP			45-P	039	
BDWM-254*	3.507	3.990	0.128	89.09	101.35	3.25	510			88 mm	M88	254	
BDWI-079*	3.507	3.995	0.133	89.09	101.47	3.38	550	3 BSP			-	079	

CONTENTS

SECTIONS	PAGE #
SPECIFIED STANDARDS	603
SPECIFIED TOLERANCES	604
GLOSSARY	606
MATERIAL SELECTION	607
CHEMICAL RESISTANCE	609
CONVERSION TABLES	611
SEAL LIFE	612
SELECTION AND INSTALLATION OF SEALS	613
PERMITTED EXTRUSION GAPS	614

SPECIFIED STANDARDS

STANDARD	STANDARD : HFP : HYDRAULIC FLUID POWER FP : FLUIDPOWER
BS EN ISO 20286.1 (1993)	General Tolerances and Deviations
BS EN 22768.1 (1993)	Tolerance for linear / angular dimensions
BS4500A (1985)	Data sheet for selected ISO fits for Hole basis
BS4500B (1985)	Data sheet for selected ISO fits for Shaft basis
BS1806 (1992)	Specifications for imperial dimensions of Toroidal Sealing Rings. (O-rings and housings)
BS4518 (1984)	Specifications for metric dimensions of Toroidal Sealing Rings. (O-rings and housings)
ISO 1629 (1995)	Standard Abbreviations / Symbols for Elastomeric Materials
BS1916	Limits and Fits for Engineering
ISO3601-1	FP Systems-O-rings – Part 1 : Inside diameters, cross sections, tolerances and size identification code.
ISO3601-3	FP Systems-O-rings – Part3 : Quality acceptance criteria.
ISO3939	FP Systems and component – Multiple lip packing sets – Method for measuring stack height.
ISO5597	HFP – Cylinders – Housings for piston and rod seals in reciprocating applications – Dimensions and tolerances.
ISO6072	HFP Compatibility between elastomeric materials and fluids.
ISO6195	FP systems and components – Single rod cylinders – Housings for rod wiper rings in reciprocating applications – Dimensions and tolerances.
ISO6547	HFP – Cylinders – Piston seal housings incorporating bearing rings – Dimensions and tolerances.
ISO6743-4	Lubricants, industrial oils and related products (class L) – Classification – Family H (Hydraulicsystems).
ISO7425-1	HFP – Housings for elastomer – energised plastic faced seals. Dimensions and tolerances – Part 1 : Piston seal housings.
ISO7425-2	HFP – Housings for elastomer – energised plastic faced seals. Dimensions and tolerances – Part 2 : Rod seal housings.
ISO7986	HFP – Sealing devices – Standard test methods to assess the performance of seals used in oil hydraulic reciprocating applications.
ISO10766	HFP – Cylinders – Housing dimensions for rectangular – section cut bearings for pistons and rods.
BS 5016 : (1988)	Dimensions of anti – extrusion back – uprings and their housings
BS 7714 : (1993)	Guide for the care and handling of seals for fluid power applications

SPECIFIED TOLERANCES (METRIC)

NOMINAL SIZES METRIC		SHAFTS (OUTSIDE DIAMETERS) METRIC UNITS 0.001 MM										BORES (INSIDE DIAMETERS) METRIC UNITS 0.001 MM				
OVER	TO	E9	F8	F9	H8	H9	H10	H11	JS10	JS11	H8	H9	H10	H11	JS11	
1.60	3.00	-14	-6	-6	0	0	0	0	+20	+30	+14	+25	+40	+60	+30	
		-39	-20	-31	-14	-25	-40	-60	-20	-30	0	0	0	0	-30	
3.00	6.00	-20	-10	-10	0	0	0	0	+24	+37.5	+18	+30	+48	+75	+37.5	
		-50	-28	-40	-18	-30	-48	-75	-24	-37.5	0	0	0	0	-37.5	
6.00	10.00	-25	-13	-13	0	0	0	0	+29	+45	+22	+36	+58	+90	+45	
		-61	-35	-49	-22	-36	-58	-90	-29	-45	0	0	0	0	-45	
10.00	18.00	-32	-16	-16	0	0	0	0	+35	+55	+27	+43	+70	+110	+55	
		-75	-43	-57	-27	-43	-70	-110	-35	-55	0	0	0	0	-55	
18.00	30.00	-40	-20	-20	0	0	0	0	+42	+65	+33	+52	+84	+130	+65	
		-92	-53	-72	-33	-52	-84	-130	-42	-65	0	0	0	0	-65	
30.00	50.00	-50	-25	-25	0	0	0	0	+50	+80	+39	+62	+100	+160	+80	
		-112	-64	-87	-39	-62	-100	-160	-50	-80	0	0	0	0	-80	
50.00	80.00	-60	-30	-30	0	0	0	0	+60	+95	+46	+74	+120	+190	+95	
		-134	-76	-104	-46	-74	-120	-190	-60	-95	0	0	0	0	-95	
80.00	120.00	-72	-36	-36	0	0	0	0	+70	+110	+54	+87	+140	+220	+110	
		-159	-90	-123	-54	-87	-140	-220	-70	-110	0	0	0	0	-110	
120.00	180.00	-85	-43	-43	0	0	0	0	+80	+125	+63	+100	+160	+250	+125	
		-185	-106	-143	-63	-100	-160	-250	-80	-125	0	0	0	0	-125	
180.00	250.00	-100	-50	-50	0	0	0	0	+92	+145	+72	+115	+185	+290	+145	
		-215	-122	-165	-72	-115	-185	-290	-92	-145	0	0	0	0	-145	
250.00	315.00	-110	-56	-56	0	0	0	0	+105	+160	+81	+130	+210	+320	+160	
		-240	-137	-186	-81	-130	-210	-320	-105	-160	0	0	0	0	-160	
315.00	400.00	-125	-62	-62	0	0	0	0	+115	+180	+89	+140	+230	+360	+180	
		-265	-151	-212	-89	-140	-230	-360	-115	-180	0	0	0	0	-180	

Tolerances extracted from BS4500 (ISO 286)

SPECIFIED TOLERANCES (IMPERIAL)

NOMINAL SIZES IMPERIAL		SHAFTS (OUTSIDE DIAMETERS) IMPERIAL UNITS 0.001 INCH										BORES (INSIDE DIAMETERS) IMPERIAL UNITS 0.001 INCH				
OVER	TO	E9	F8	F9	H8	H9	H10	H11	JS10	JS11	H8	H9	H10	H11	JS11	
0.040	0.120	-0.6	-0.3	-0.3	0	0	0	0	+0.8	+0.13	+0.6	+1.0	+1.6	+2.5	+1.3	
		-1.6	-0.9	-1.2	-0.6	-1.0	-1.6	-2.5	-0.8	-1.3	0	0	0	0	-1.3	
0.120	0.240	-0.8	-0.4	-0.4	0	0s	0	0	+0.9	+1.5	+0.7	+1.2	+1.8	+3.0	+1.5	
		-2.0	-1.1	-1.6	-0.7	-1.2	-1.8	-3.0	-0.9	-1.5	0	0	0	0	-1.5	
0.240	0.400	-1.0	-0.5	-0.5	0	0	0	0	+1.1	+1.8	+0.9	+1.4	+2.2	+3.5	+1.8	
		-2.4	-1.4	-1.9	-0.9	-1.4	-2.2	-3.5	-1.1	-1.8	0	0	0	0	-1.8	
0.400	0.710	-1.2	-0.6	-0.6	0	0	0	0	+1.4	+2.0	+1.0	+1.6	+2.8	+4.0	+2.0	
		-2.8	-1.6	-2.3	-1.0	-1.6	-2.8	-4.0	-1.4	-2.0	0	0	0	0	-2.0	
0.710	1.190	-1.6	-0.8	-0.8	0	0	0	0	+1.8	+2.5	+1.2	+2.0	+3.5	+5.0	+2.5	
		-3.6	-2.0	-2.8	-1.2	-2.0	-3.5	-5.0	-1.8	-2.5	0	0	0	0	-2.5	
1.190	1.970	-2.0	-1.0	-1.0	0	0	0	0	+2.0	+3.0	+1.6	+2.5	+4.0	+6.0	+3.0	
		-4.5	-2.6	-3.4	-1.6	-2.5	-4.0	-6.0	-2.0	-3.0	0	0	0	0	-3.0	
1.970	3.150	-2.5	-1.2	-1.2	0	0	0	0	+2.3	+3.5	+1.8	+3.0	+4.5	+7.0	+3.5	
		-5.5	-3.0	-4.1	-1.8	-3.0	-4.5	-7.0	-2.3	-3.5	0	0	0	0	-3.5	
3.150	4.730	-3.0	-1.4	-1.4	0	0	0	0	-2.5	+4.5	+2.2	+3.5	+5.0	+9.0	+4.5	
		-6.5	-3.6	-4.8	-2.2	-3.5	-5.0	-9.0	-2.5	-4.5	0	0	0	0	-4.5	
4.730	7.090	-3.5	-1.6	-1.6	0	0	0	0	+3.0	+5.0	+2.5	+4.0	+6.0	+10.0	+5.0	
		-7.5	-4.1	-5.6	-2.5	-4.0	-6.0	-10.0	-3.0	-5.0	0	0	0	0	-5.0	
7.090	9.850	-4.0	-2.0	-2.0	0	0	0	0	+3.5	+6.0	+2.8	+4.5	+7.0	+12.0	+6.0	
		-8.5	-4.8	-6.5	-2.8	-4.5	-7.0	-12.0	-3.5	-6.0	0	0	0	0	-6.0	
9.850	12.410	-4.5	-2.2	-2.2	0	0	0	0	+4.0	+6.0	+3.0	+5.0	+8.0	+12.0	+6.0	
		-9.5	-5.2	-7.3	-3.0	-5.0	-8.0	-12.0	-4.0	-6.0	0	0	0	0	-6.0	

GLOSSARY

REFERENCE	DESCRIPTION
POM	Acetalic Resin
NBR	Acrylonitrile Butadiene Rubber
IIR	Butyl Rubber
XNBR	Carboxylated Nitrile Rubber
CIIR	Chlorinated Butyl Rubber
CM	Chlorinated Polyethylene Rubber
CR	Chloroprene Rubber
CSM	Chlorosulphonated Polyethylene Rubber
ECO	Epichlorohydrin Rubber
EPDM	Ethylene Propylene Dien Rubber
EVA	Ethylene Vinylacetate Rubber
FKM	Fluorocarbon Rubber
FKM	Fluoroelastomer Viton
MFQ	Fluorosilicone Rubber
HNBR	Hydrogenated Acrylonitrile Butadiene Rubber
IR	Isoprene Rubber
MPQ	Methyl Phenyl Silicone Rubber
MPVQ	Methyl Phenyl Vinyl Silicone Rubber
MQ	Methyl Silicone Rubber
MVQ	Methyl Vinyl Silicone Rubber
NR	Natural Rubber
PNF	Phosphonitrilic Fluoro-Rubber
ACM	Polyacrylate Rubber
AU	Polyester Urethane Rubber
EU	Polyether Urethane Rubber
T	Polysulphide Rubber
PU	Polyurethane
GPO	Propylene Oxide Rubber
SBR	Styrene Butadiene Rubber
TPE	Thermoplastic Elastomer

MATERIAL SELECTION (RUBBER)

NBR – ACRYLONITRILE BUTADIENE RUBBER

Commonly known as Nitrile or Buna N. Nitrile rubber forms the most common group of elastomers for general use, in the sealing industry. Chemically, Nitrile is a copolymer of Butadiene and Acrylonitrile with the ratio's of the two depending upon the application of use. Nitrile elastomers have good physical characteristics, and are superior to most rubbers regarding resistance to swell in oils and fats etc, and have a good abrasion resistance.

LOW ACRYLONITRILE NBR 20% ACRYLONITRILE, 80% BUTADIENE WORKING TEMPERATURE: -35 TO +100C

Low Nitrile compounds have a very good low temperature flexibility and elasticity, but the resistance to swell in fats and oils is, however poorer to that of compounds which have higher Acrylonitrile content.

MEDIUM ACRYLONITRILE NBR 34% ACRYLONITRILE, 66% BUTADIENE, WORKING TEMPERATURE: -300C TO +100C

Medium Nitrile compounds have poorer low temperature flexibility and elasticity to that of low Acrylonitrile compounds, but resistance to swell in oil and fats is greatly improved.

HIGH ACRYLONITRILE NBR, 50% ACRYLONITRILE, 50% BUTADIENE, WORKING TEMPERATURE: -0C TO +100C

High Nitrile compounds have very poor low temperature flexibility and elasticity, but resistance to swell in oil and fats is excellent, and also gas permeability becomes much lower the higher the Acrylonitrile content.

HNBR – HYDROGENATED ACRYLONITRILE BUTADIENE RUBBER WORKING TEMPERATURE: -35 TO +140C

Hydrogenated NBR elastomers offer a unique combination of heat resistance, oil resistance and resistance to a number of aggressive Chemicals.

The products made of this material have outstanding mechanical properties, very good resistance to abrasion, excellent compression set, superior resistance to weathering, ozone and hot air, and very good resistance to technical oils, even in the presence of hydrogen sulphide and amines. HNBR compounds would only be used in an application where the seal is subject to a hostile environment.

FKM – FLUOROCARBON RUBBER WORKING TEMPERATURE: -20 TO +220C

FKM elastomers offer compatibility to fire resistant hydraulic fluids, hot oils, greases, hydrocarbons, chlorinated hydrocarbons, most organic acids, even at high concentrations, and a number of organic compounds. FKM however is not resistant to swell in methanol, ketones, esters and ethers, although in specially formulated compounds this can be greatly improved.

LOW TEMPERATURE FLUOROCARBON RUBBER WORKING TEMPERATURE: -30 TO +220C

GLT elastomers have improved low temperature flexibility over standard FKM's, they also give excellent low temperature tensile and good low and high temperature compression set resistance. This material, because of its price is only recommended for use in applications where a very broad temperature service range is required.

EPDM – ETHYLENE PROPYLENE DIEN RUBBER WORKING TEMPERATURE: -40 TO +120C

EPDM is from a general class of Ethylene Propylene Dien Rubber, with enhanced properties. Dynamic properties and dynamic fatigue resistance is very good as is its low temperature flexibility. Resistance to swell in organic acids is excellent, but in concentrated inorganic acids the compound will harden or even be destroyed.

EPDM is not suitable for use in mineral-based oils or hydrocarbons, but in non-mineral automotive brake fluids and phosphate esters the swelling is minimal. A wide range of hardnesses can be achieved, with harder compounds giving acceptable high elasticity.

MATERIAL SELECTION (PLASTIC)

Thermoplastic Polymers have gained widespread recognition for reliability of performance. They have a combination of physical properties not available with either metals or other plastics, due to their chemical composition.

POLYURETHANE (TPU)
WORKING TEMPERATURE: -30 TO +110C

Polyurethane has been developed in response to the industry's requirement for flexible, easy fit, long life sealing systems, for use in a variety of temperature and media applications.

Thermoplastic Polyurethane (TPU) has outstanding compression set values at both low and elevated temperatures. Other properties such as Tensile Strength, Abrasion, Tear Resistance and low temperature flexibility are excellent. Resistance to petroleum products, hydrocarbons, ozone and weathering are also good.

POLYESTER ELASTOMER
WORKING TEMPERATURE: -50 TO +110C

Polyester elastomers are thermoplastic materials; they are co-polyesters that contain both polyether and polyester. The properties of polyester elastomers are intermediate between those of rubber and engineering plastics. They have a good combination of physical properties at temperatures up to 110°C, excellent resistance to swell in oils, fats and fuels, and a good resistance to impact abrasion and extrusion. There are a number of applications where polyester elastomers can be used which include Wipers, Back Up Rings, Anti Extrusion devices and Scrapers.

POM – POLYACETAL
WORKING TEMPERATURE: -50 TO +122C

POM has a temperature range of -50°C to 122°C in air, with intermittent use up to 160°C; service life is reduced by lengthy use in steam, hot water and strong acids.

POM has high mechanical strength, rigidity, fatigue endurance, dimensional stability, high resistance to repeated impacts, resilience and natural lubricity. It has excellent resistance to moisture, gasoline, solvents and many neutral chemicals.

CHEMICAL RESISTANCE

LUBRICANTS AND GREASES					
	NBR	CR	MQ	FKM	EPDM
Brake Fluid (Castor Based)	C	B	A	C	A
Cellosolve	C	B	C	C	C
Grease mineral	A	B	B	A	C
Ester DTD 825	B	C	B	A	B

HYDRAULIC FLUIDS					
	NBR	CR	MQ	FKM	EPDM
Aqueous Eel 6	A	A	A	A	B
Mineral Dtd 585	A	B	C	A	C
Ester based (Skydrol 500)	C	C	C	A	C

LUBRICATING OILS					
	NBR	CR	MQ	FKM	EPDM
Mineral Ded 2472	A	A	A	A	C
Hypoid	A	B	A	A	C
Ester Ded 2487	B	C	B	A	C
Parraffin	B	B	C	A	C
Silicone oils	A	A	C	A	A
Transformer Oils	A	B	B	A	C
Vegetable Oils	A	A	A	A	A

GASES					
	NBR	CR	MQ	FKM	EPDM
Chlorine (Wet)	D	D	C	B	B
Calor Gas	B	D	B	A	B
Carbon Dioxide	A	A	A	A	B
Caol Gas	B	B	B	A	B
Hydrogen	A	A	A	A	A
Natural Gas	A	A	A	A	A
Nitrogen	A	A	A	A	A
Oxygen	A	A	A	A	A

FUELS					
	NBR	CR	MQ	FKM	EPDM
Diesel Oil	B	CR	B	A	C
Gas Oil	B	C	C	A	C
Fuel Oil	B	C	C	A	B
Petrol	B	C	C	A	C
Solvent Naphtha	C	C	C	A	C

CHEMICAL RESISTANCE

CHEMICALS	POM	PC	PA	PTFE	PU
Acids	D	A	D	A	D
Hydrocarbons	A	B	A	A	A
Water	A	A	B	A	A
Alkalies	B	D	B	A	D
Ammonias	B	D	B	B	B
Mineral / Vegetable Oils	B	A	A	A	B
Alphatics	B	A	A	A	B
Alcohols	A	A	B	A	B
Ketones	A	D	A	A	D
Esters	B	D	A	A	B
HFC fluids	B	D	B	A	D
Phenols	B	B	D	B	B
Trichloroethylene	B	D	D	B	B
Greases	B	B	A	B	B
Ozone	B	B	B	B	A
Steam	B	B	B	A	D
Petroleum Products	B	B	B	A	A
Ethers	A	B	B	B	B
Aromatic Carbons	B	D	B	A	B

CONVERSION TABLES

TEMPERATURE CONVERSION		
° C		° F
-51.0	-60	-76.0
-46.0	-50	-58.0
-40.0	-40	-40.0
-34.0	-30	-22.0
-29.0	-20	-4.0
-23.0	-10	14.0
-17.8	0	32.0
-12.2	10	50.0
-6.7	20	68.0
-1.1	30	86.0
0	32	89.6
4.4	40	104.0
10.0	50	122.0
15.6	60	140.0
21.1	70	158.0
26.7	80	176.0
32.2	90	194.0
37.8	100	212.0
43.3	110	230.0
48.9	120	248.0
54.4	130	266.6
60.0	140	284.0
65.6	150	302.0
71.1	160	320.0
76.7	170	338.0
82.2	180	356.0
87.8	190	374.0
93.3	200	392.0
98.9	210	410.0
104.4	220	428.0
110.0	230	446.0
115.6	240	464.0
121.1	250	482.0
126.7	260	500.0
137.8	280	536.0
148.9	300	572.0
160.0	320	608.0
171.1	340	644.0
182.2	360	680.0
193.3	380	716.0
204.4	400	752.0

PRESSURE CONVERSIONS		
PSI	BAR	KN/M ²
1	0.069	6.895
2	0.138	13.790
3	0.207	20.685
4	0.276	27.580
5	0.345	34.475
6	0.414	41.370
7	0.483	48.265
8	0.552	55.160
9	0.621	62.055
10	0.690	68.950
20	1.379	137.900
30	2.069	206.850
40	2.759	275.800
50	3.448	344.750
60	4.137	413.700
70	4.827	482.650
80	5.516	551.600
90	6.203	620.550
100	6.895	689.500
200	13.790	1379.000
300	20.690	2068.500
400	27.580	2758.000
500	34.480	3447.500
600	41.370	4137.000
700	48.270	4826.500
800	55.160	5516.000
900	62.030	6205.500
1000	68.950	6895.000
2000	137.900	13790.000
3000	206.850	20685.000
4000	275.800	27580.000
5000	344.750	34475.000
6000	413.700	41370.000
7000	482.650	48265.000
8000	551.600	55160.000
9000	620.550	62055.000
10000	689.500	68950.000

DIMENSIONAL CONVERSIONS			
INCHES	MM	MM	INCHES
0.0005	0.012	0.005	0.00019
0.001	0.025	0.01	0.00039
0.002	0.05	0.02	0.00078
0.003	0.076	0.03	0.00118
0.004	0.10	0.04	0.00157
0.005	0.12	0.06	0.00197
0.006	0.15	0.07	0.00236
0.007	0.17	0.08	0.00275
0.008	0.20	0.09	0.00315
0.009	0.22	0.10	0.00354
0.010	0.25	0.20	0.00394
0.020	0.50	0.30	0.00787
0.030	0.76	0.40	0.0118
0.040	1.01	0.50	0.0157
0.050	1.27	0.60	0.0196
0.060	1.52	0.70	0.0236
0.070	1.77	0.80	0.0315
0.080	2.03	0.90	0.0354
0.090	2.28	1.00	0.0394
0.100	2.54	2.00	0.0787
0.200	5.08	3.00	0.1181
0.300	7.62	4.00	0.1575
0.400	10.16	5.00	0.1968
0.500	12.70	6.00	0.2362
0.600	15.24	7.00	0.2755
0.700	17.78	8.00	0.1349
0.800	20.32	9.00	0.3543
0.900	22.86	10.00	0.3937
1.000	25.40	20.00	0.787
2.000	50.79	30.00	1.181
3.000	76.19	40.00	1.575
4.000	101.60	50.00	1.968
5.000	127.00	60.00	2.362
6.000	152.40	70.00	2.755
7.000	177.79	80.00	3.149
8.000	203.19	90.00	3.543
9.000	228.60	100.00	3.937
10.000	254.00	200.00	7.874
		300.00	11.811
		400.00	15.748

WHAT AFFECTS A SEAL'S LIFE?

When considering the performance of a seal, it is important to consider the combined effect of the below criteria as a whole, as any condition above the maximum stated operating conditions will require the other operating conditions to be reduced. Also for a seal to be effective, reliable, with a sufficiently long working life, it is necessary to select the correct material, which can be more important than the profile.

SPEED

Speed is related to the generated friction between the seals and the dynamic sealing surface, and therefore affects the performance of the seal. During the sliding motion of the seal, the lip hydroplanes on the film of oil and this determines the so called "leakage" and the life of the seal.

Low speeds, generally below 0.05 m/s, gives good results in regards to leakage. However at low speeds, the boundary layer of oil is breached causing seal to metal contact which causes "stick-slip" movement, increased friction and results in reduced seal life.

Medium speed is considered between 0.05 - 0.3 m/s and is the most favorable condition for the seal's life.

High speeds generally above 0.3 m/s cause the boundary layer of oil to increase in thickness,

PRESSURE

Pressure causes extrusion of the seal into the extrusion gap, which exists on the non-pressure side of the seal.

Low pressure is considered less than 50 bar and in the environment the majority of leaks occur. This is caused by the sealing lips not having enough system pressure to energise them and the oil film passes under the lips causing what is perceived to be a leak. Choosing an appropriate profile and material can greatly reduce the situation.

Medium pressure is considered to be between 50 and 150 bar and is the most common system pressure used today. The system pressure energises the sealing lips and delivers a good sealing environment.

High pressure is considered over 150 bar and in this environment seals perform well in regards to leakage. High pressures, however bring other damaging effects such as extrusion, excessive wear and greatly reduces the life of the system.

TEMPERATURE

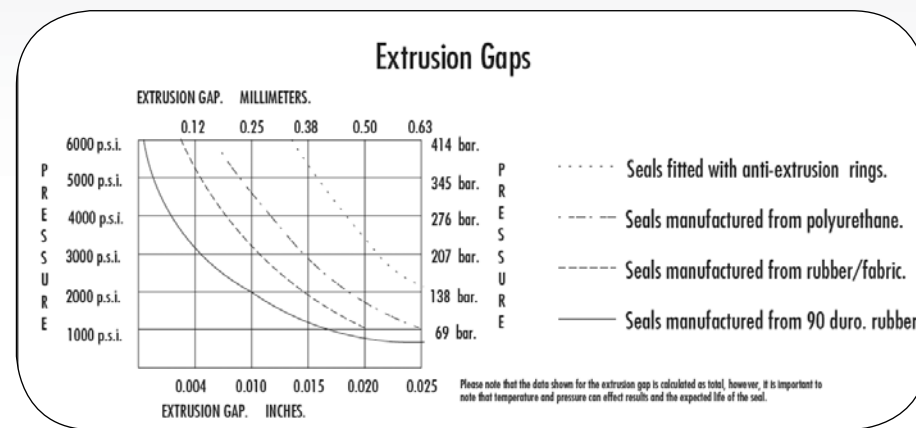
Brittleness of the seal will result if the temperature is too low; compression set of the seal will result if the temperature is too high. Higher temperatures affect the viscosity of the sealing media, resulting in greater extrusion and increased friction, lead to a reduced seal life.

SELECTION AND INSTALLATION OF SEALS

FACTOR	CONSIDERATIONS
Pressure	What is the system pressure?
Medium	What is the fluid? Oil, water, air etc
Speed	What is the required speed? Is it constant? Is it slow (< 0.05 m/s)
Temperature	Where is the equipment being used? Is it exposed to radiant heat?
Shock loading	Are there pressure spikes?
Operating cycle	Is it constant or intermittent operation?
Application	Where is the equipment used? What does it do?
Design	Is it a single acting or double acting cylinder? Is it a ram? Is it a rotary seal? Is the housing split?
Friction	Does the equipment need low friction? Does it need to have good position control?
Cylinder bore surface finish	How is the cylinder made? What is the bore finish? Is it honed?
Rod surface finish	How is the rod made? What is the surface finish?
Environment	Is the environment clean, dirty, dusty?

INSTALLATION
The system media should be compatible with the seal material.
The system incorporates a suitable filtering component.
No damage has been caused to the rod, piston or cylinder which would alter the design surface and / or machining tolerances.
The seal selection is of the correct size and type.
The seal is undamaged and free of foreign matter.
The sealing edges are coated with a clean and compatible lubricant to facilitate assembly and give lubrication for initial start up.
The seal housing, both static and dynamic are thoroughly cleaned.
Avoid contact of seal with threads, sharp edges and ports by using suitable fitting sleeves and aids during assembly.
Specify piston and gland bearings which are adequately proportioned to support the cylinder loads.
Keep seals distortion free in a clean, dark, dry and cool environment prior to fitting.
Specify adequate lead in chamfers for the cylinder.

PERMITTED EXTRUSION GAPS



WHAT ABOUT STORAGE OF SEALS?

TEMPERATURE

The storage temperature shall be below 38 °C (100 °F), except when higher temperatures are caused by temporary climate changes, and articles shall be stored away from direct sources of heat such as boilers, radiators, and direct sunlight.

Note: If the storage temperature is below 15 °C (59 °F), care should be exercised during the handling of stored articles as they may have stiffened and become susceptible to distortion if not handled carefully. The temperature of articles stored below 15 °C (59 °F) shall be raised to approximately 20 °C (68 °F) throughout their mass before being installed into a component.

HUMIDITY

The relative humidity shall be such that given the variations of temperature in storage, condensation does not occur. In any event, if the elastomers are not stored in sealed moisture proof bags, the relative humidity of the atmosphere in storage shall be less than 75% r h, or if polyurethanes are being stored, shall be less than 65% r h.

LIGHT

Elastomeric seals shall be protected from light sources, in particular direct sunlight or intense artificial light having an ultraviolet content. The individual storage bags offer the best protection as long as they are UV resistant.

Note: It is advisable that windows of storage rooms where elastomers are stored in bulk be covered with a red or orange coating or screen.

RADIATION

Precautions shall be taken to protect stored articles from all sources of ionizing radiation likely to cause damage to stored articles.

OZONE

As ozone is particularly deleterious to some elastomeric seals, storage rooms shall not contain any equipment that is capable of generating ozone such as mercury vapor lamps, high voltage electrical equipment giving rise to electric sparks or silent electrical discharges. Combustion gases and organic vapor shall be excluded from storage rooms as they may give rise to ozone via photochemical processes.

DEFORMATION

Elastomeric seals shall be stored free from superimposed tensions and compressive stresses or other causes of deformation. Where articles are packaged in a strain-free condition, they shall be stored in their original packaging. In case of doubt, the manufacturer's advise shall be sought.

Rings of large inside diameter shall be formed into three equal superimposed loops so as to avoid creasing or twisting.

Note: It is not possible to achieve this condition by forming just two loops.

CONTACT WITH LIQUID AND SEMI-SOLID MATERIALS

Elastomeric seals shall not be allowed to come into contact with liquid or semi-solid materials (for example, gasoline, greases, acids, disinfectants, cleaning fluids) or their vapors at any time during storage unless these materials are by design an integral part of the component or the manufacturer's packaging. When elastomeric seals are received coated with their operational media, they shall be stored in this condition.

CONTACT WITH METALS

Certain metals and their alloys (in particular, copper, manganese, and iron) are known to have deleterious effects on elastomers. Elastomeric seals shall not be stored in contact with such metals (except when bonded to them) but shall be protected by individual packaging.

CONTACT WITH DUSTING POWDER

Dusting powders shall only be used for the packaging of elastomeric items in order to prevent blocking. In such instances, the minimum quantity of powder to prevent adhesion shall be used

CONTACT BETWEEN DIFFERENT ELASTOMERS

Contact between different polymeric elastomers and elastomers of different seals shall be avoided.

They shall not be packaged together in the same envelope.

ELASTOMERIC SEALS WITH METAL PARTS BONDED TO THEM

The metal part of bonded elastomeric seals shall not come in contact with the elastomeric element of another seal. The bonded seal shall be individually packaged. Any preservative used on the metal shall be such that it will not affect the elastomeric element or the bond to such an extent that the seal will not comply with the product specification.

CONTACT US



YOUR LOCAL SUPPORT IN AUSTRALIA

QUEENSLAND (HEAD OFFICE)

Phone: 131 858

Email: qld.au@fst.com

Address: 42 Kremzow Road Brendale 4500

SOUTH AUSTRALIA

Phone: 131 858

Email: sa.au@fst.com

NEW SOUTH WALES

Phone: 131 858

Email: nsw.au@fst.com

WESTERN AUSTRALIA

Phone: 131 858

Email: wa.au@fst.com

VICTORIA

Phone: 131 858

Email: vic.au@fst.com